



CENTRO™ 6459 DRAWER FOR 6459

bdiusa.com
customerservice@bdiusa.com



INSTALLATION INSTRUCTIONS

Product Registration

Registering your new BDI product allows us to send you important product updates, service information and helpful hints related to your BDI products. Register today, and you will be entered to win free a BINK table from BDI: www.bdiusa.com/register

Maintenance

Clean wood veneer with a moist cloth.

Your Centro Office furniture is engineered for easy assembly. Carefully follow this procedure to prevent any damage. Do not use power tools for assembly of this product.

Step 1

Unpack and identify the parts listed below. The assembly workspace should be a non-marring surface such as carpet. For missing hardware, please contact BDI Customer Service at: customerservice@bdiusa.com.

For all other concerns, please contact your BDI retailer.



C11 Drawer Liner



T2 4mm Hex Wrench

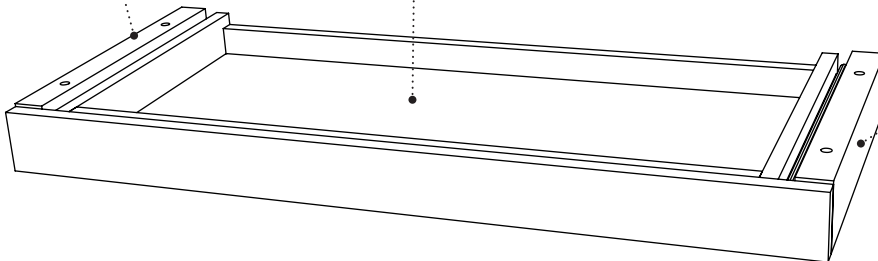


H10 1/4-20 X 58mm Screw x 4

C10L Mounting Block

A2 Drawer

C10R Mounting Block



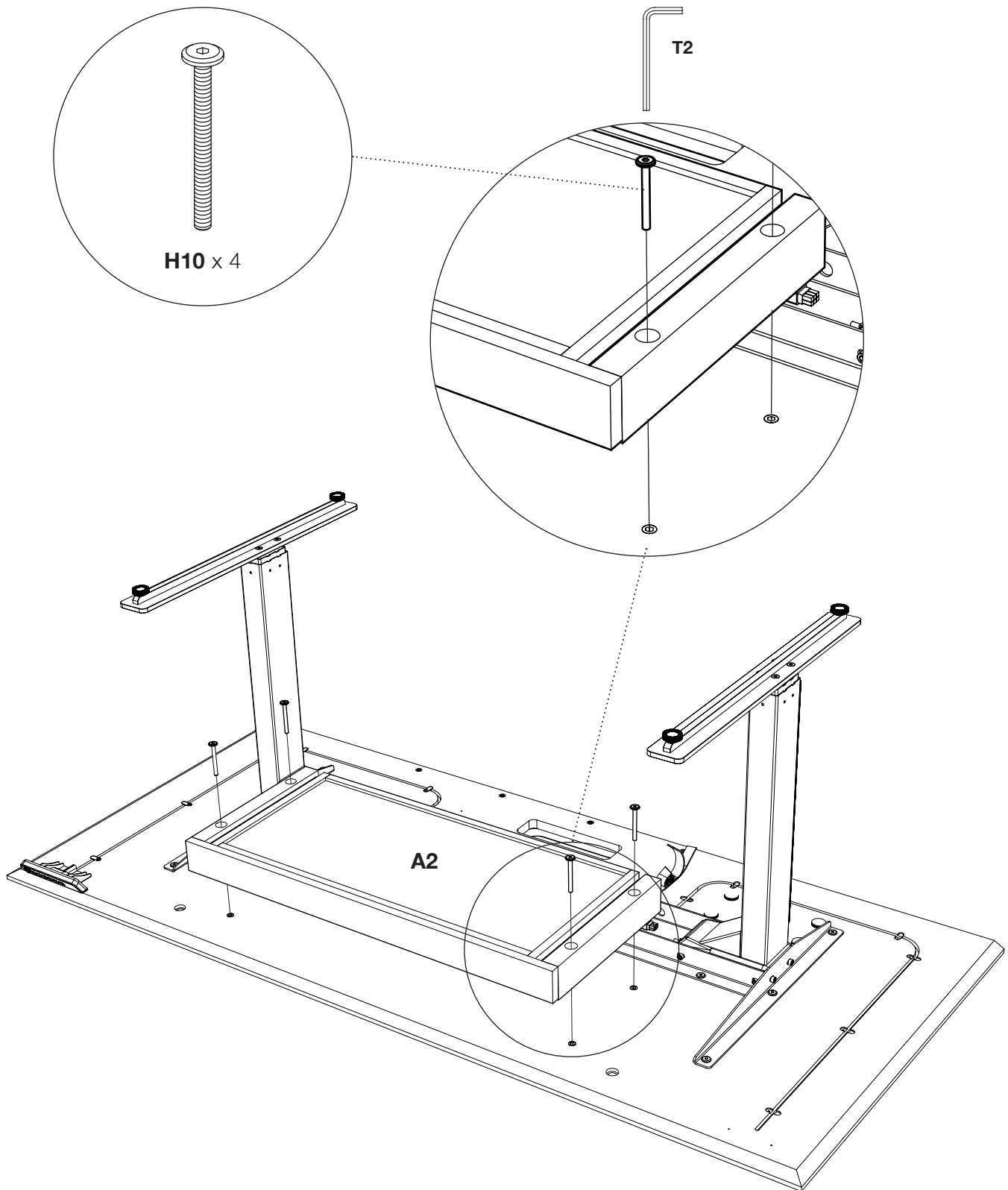
Designed by Matthew Weatherly.

These distinctive product configurations are protected by US and international patents, trade dress, and/or copyright laws. Sequel & BDI are trademarks of Becker Designed, Inc. All rights reserved. ©2016, BDI

Made in Taiwan. 06.09.2016 v2

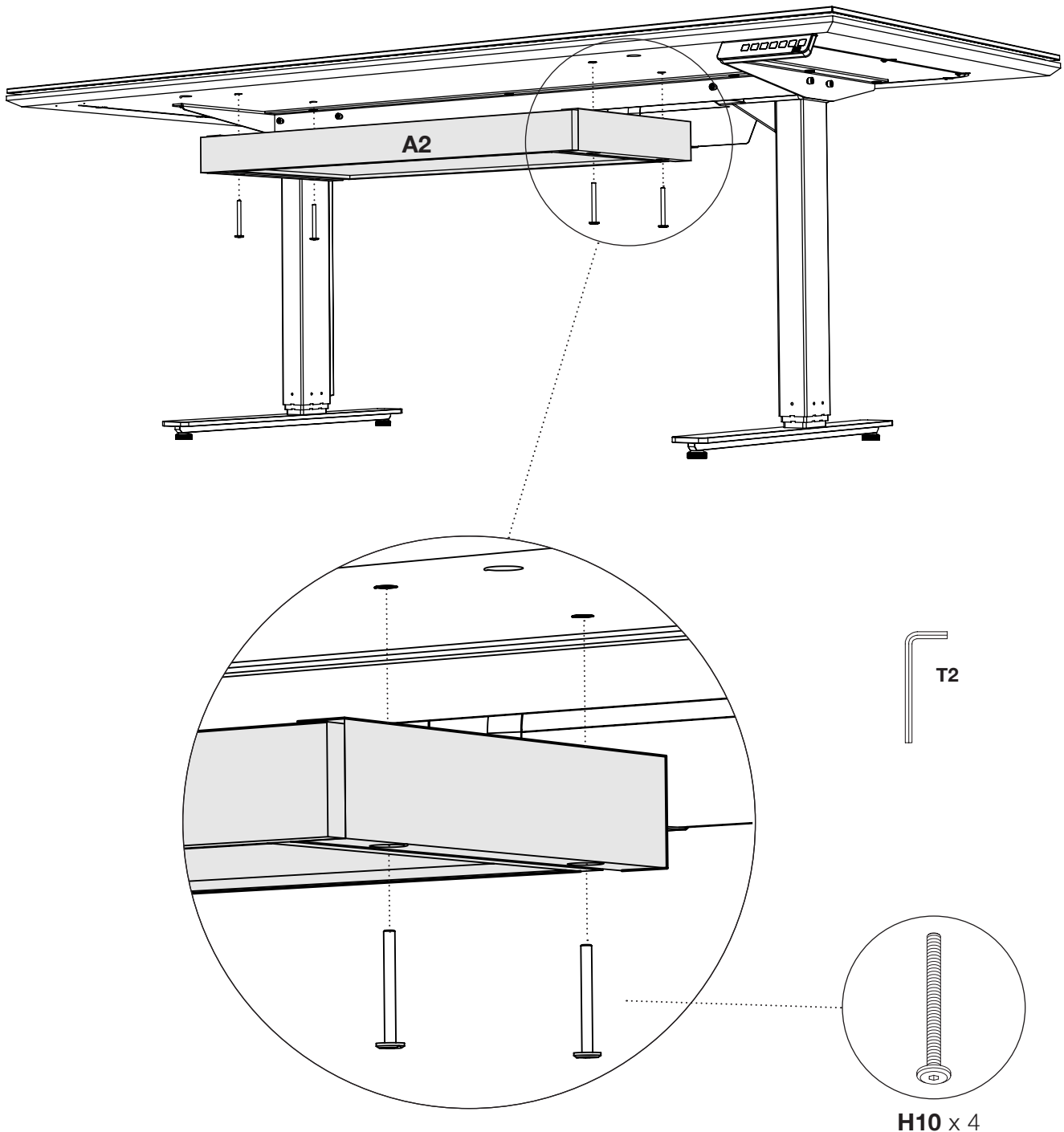
Drawer Assembly Option #1

Attach the **Drawer Body A2** by inserting **4 Screws H10** through the holes on **Mounting Blocks C10L** and **C10R** and thread them into the 4 inserts on the bottom of your **Centro Desk 6452**.



Drawer Assembly Option #2 - If your desk is already fully assembled

If your desk is already upright, install the drawer as follows. **This requires 2 people.** One person holds the drawer **A2** under the desk. The other person inserts **Screws H10** into the holes in the side mounting blocks and threads them into the inserts under the desk. Start all 4 screws before fully tightening.



Install the drawer liner

Install the **Drawer Liner C11** into the **Drawer A2** as shown.

