

**Affordable. Reliable. Home Improvement.**

**WOOD LATERAL FILE CABINETS**

# WOOD LATERAL FILE CABINETS

Affordable. Reliable. Home Improvement.



## **SAFETY INSTRUCTIONS**

### **WARNING:**

**Read this material before using this product. Failure to do so may result in serious injury.**

### **Assembly precautions**

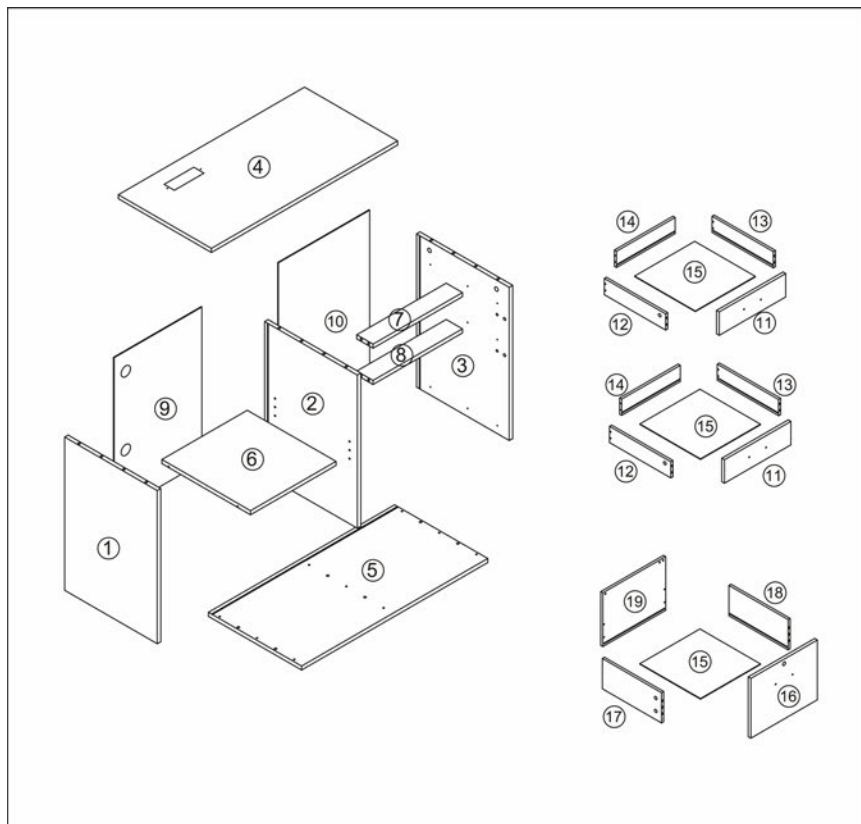
1. Assemble only according to these instructions. Improper assembly may create hazards.
2. Wear ANSI-approved safety goggles and heavy-duty work gloves during assembly.
3. Keep the assembly area clean and well-lit.
4. Keep bystanders out of the area during assembly.
5. Do not assemble if tired or when under the influence of alcohol, drugs or medication.
6. The product capabilities apply to properly and completely assembled products only.
7. Assemble on a flat, level, hard and smooth surface capable of safely supporting the Wood lateral file cabinets.
8. For additional information regarding the parts listed in the following pages, please refer to the Assembly Diagram of this manual. Unwrap and separate all parts in a clean work area.

### **Use precautions**

1. DO NOT SIT OR STAND ON THIS ITEM.
2. This product is not a toy. Do not allow children to play with or near this item.
3. Do not exceed specified weight capacities.
4. Use only on a flat, level, hard, and smooth surface that can safely support a fully loaded Wood lateral file cabinets.
5. Use as intended only.
6. Inspect before every use; do not use if parts are loose or damaged.

**SAVE THIS MANUAL**

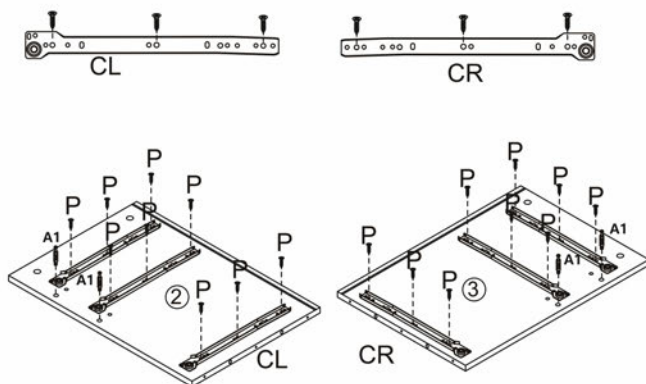
# PARTS LIST



<b>A</b>  <b>x10</b>	<b>B</b>  <b>x8</b>	<b>C</b>  <b>x22</b>	<b>D</b>  <b>x9</b>	<b>E</b>  <b>x4</b>	<b>F</b>  <b>x3</b>	<b>G</b>  <b>x6</b>
<b>H</b>  <b>x1</b>	<b>I</b>  <b>x4</b>	<b>J</b>  <b>x5</b>	<b>K</b>  <b>x3</b>	<b>L</b>  <b>x2</b>	<b>M</b>  <b>x8</b>	
<b>N</b>  <b>x12</b>	<b>O</b>  <b>x8</b>	<b>P</b>  <b>x52</b>	<b>Q</b>  <b>x1</b>	<b>R</b>  <b>x1</b>	<b>S</b>  <b>x18</b>	

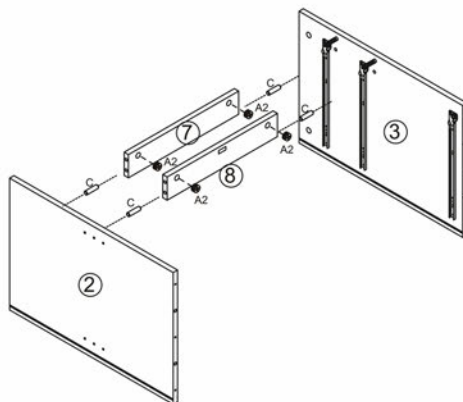
# ASSEMBLY STEP

1



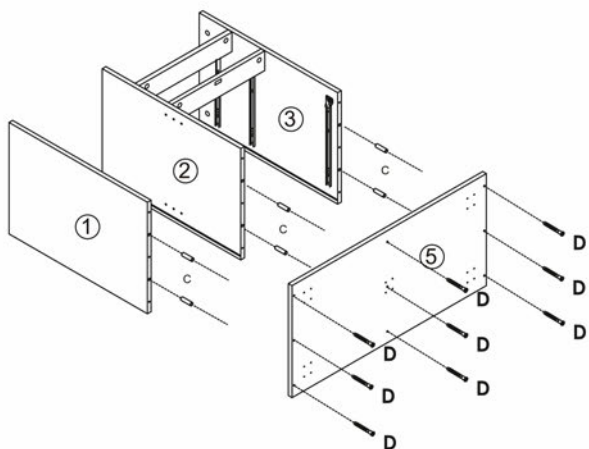
A1\*4  
K(CL)\*3  
K(CR)\*3  
P\*18

2



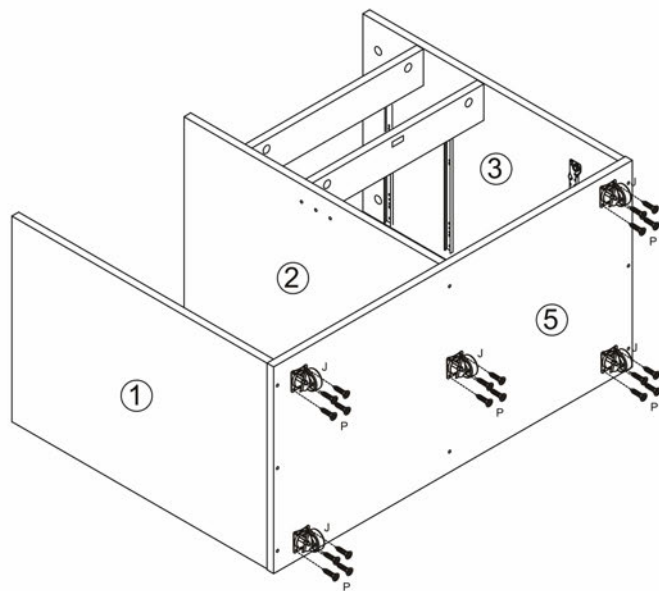
A2\*4  
C\*4

3



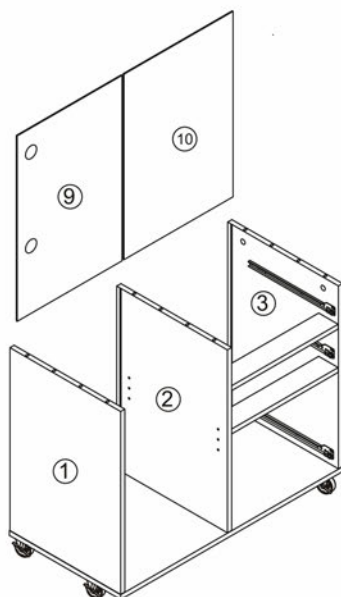
C\*6  
D\*9

4

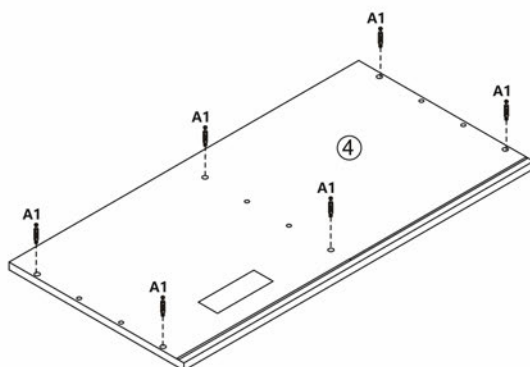


J\*5  
P\*20

5

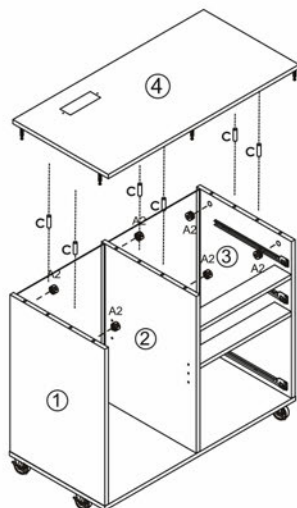


6



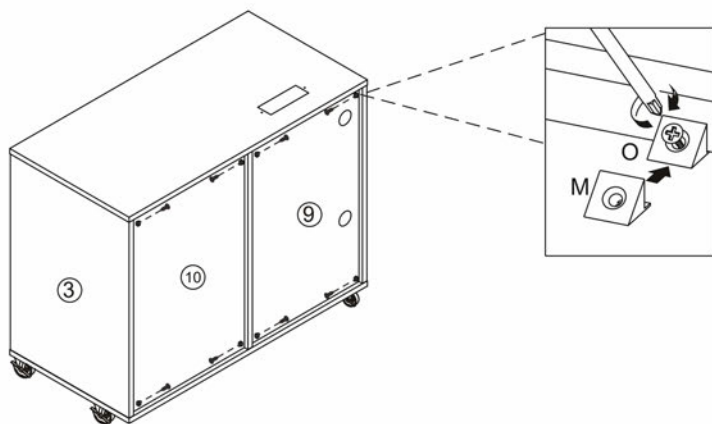
A1\*6

7



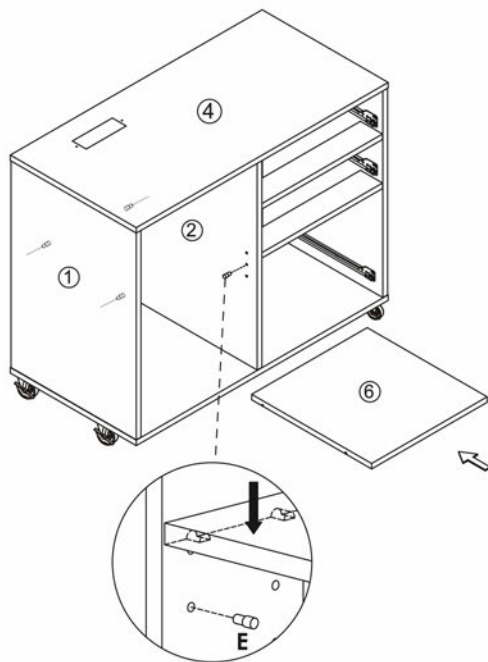
A2\*6  
C\*6

8



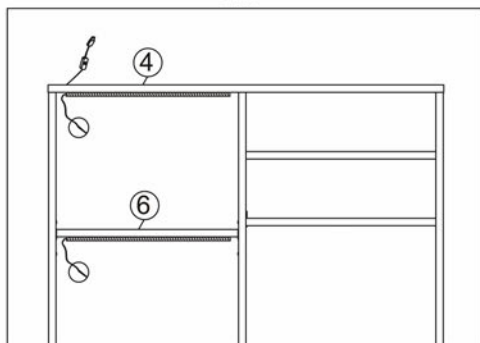
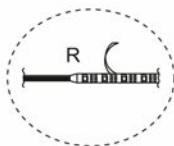
M\*8  
O\*8

9



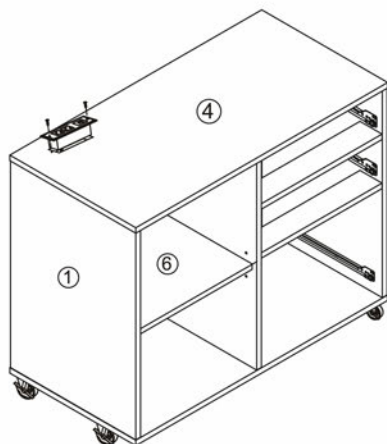
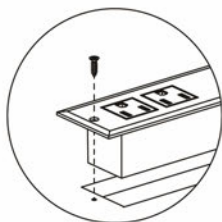
E\*4

10



R\*1

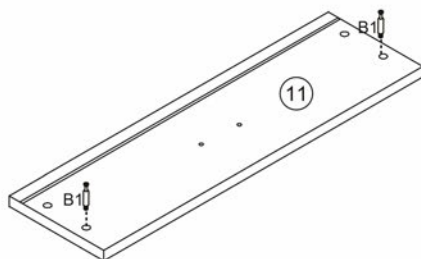
11



Q\*1  
P\*2

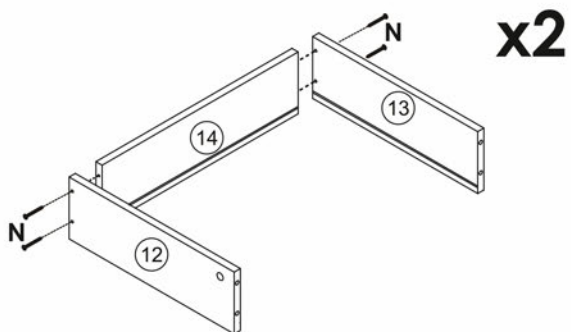
12

x2



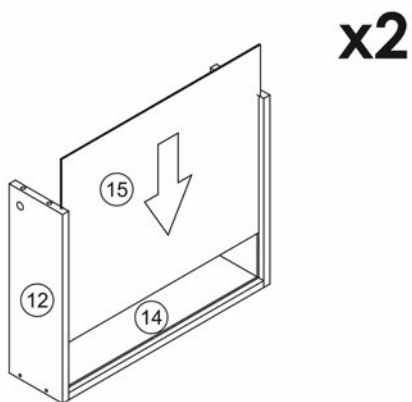
B1\*4

13

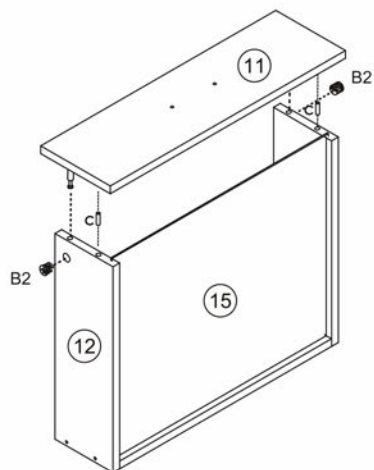


N\*8

14



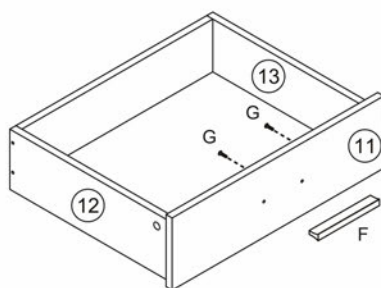
15



x2

B2\*4  
C\*4

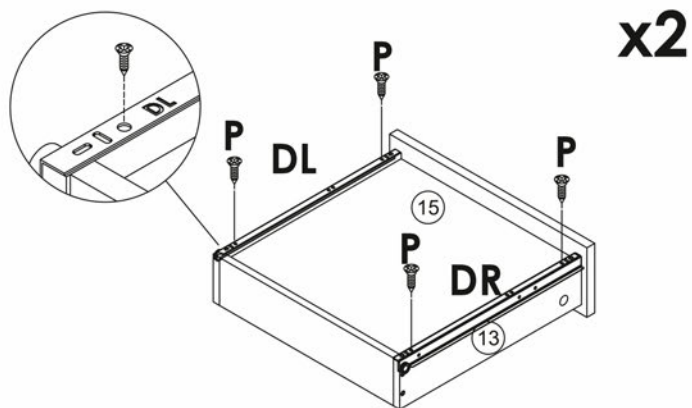
16



x2

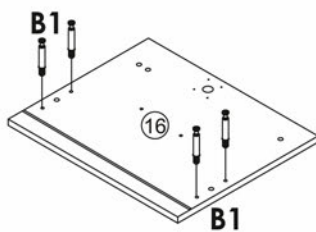
F\*2  
G\*4

17



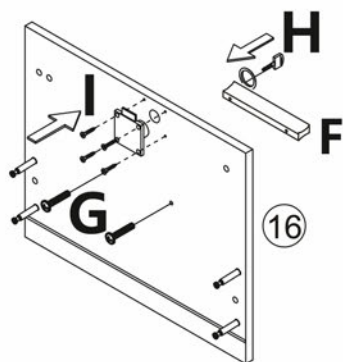
K(DL)\*2  
K(DR)\*2  
P\*8

18



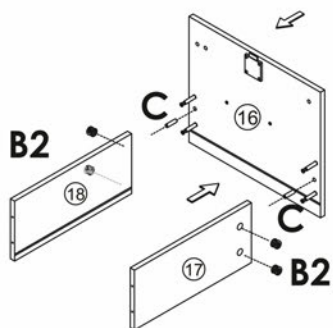
B1\*4

19



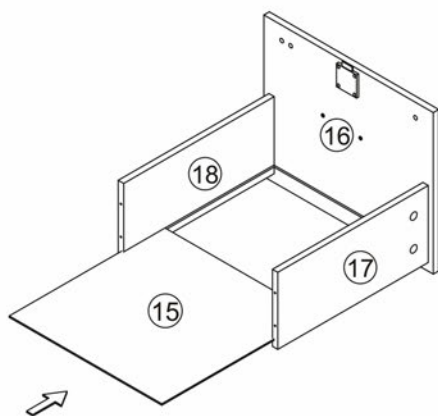
F\*1  
G\*2  
H\*1  
I\*4

20

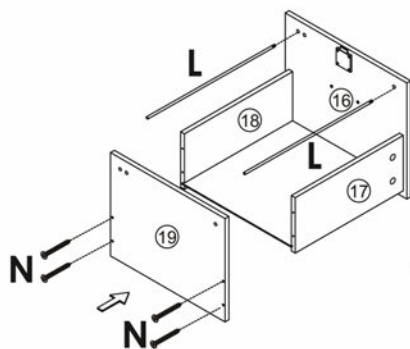


C\*2  
B2\*4

21

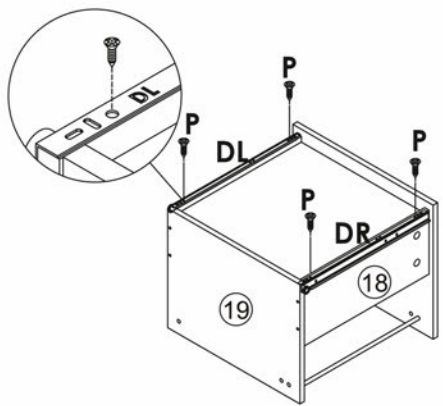


22



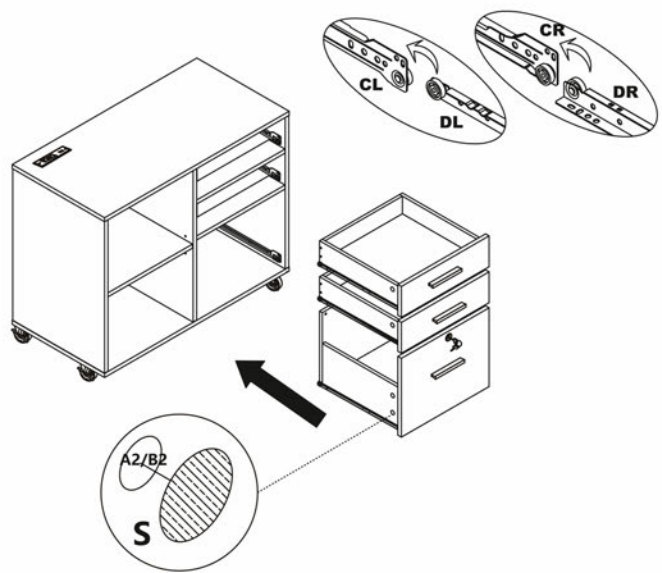
L\*2  
N\*4

23



K(DL)\*1  
K(DR)\*1  
P\*4

24



## PRODUCT PARAMETER

<b>Model</b>	KLHW-04
<b>Power</b>	AC125V 60HZ 12A (Via Power Strip)
<b>Safe Loading Weight</b>	100 lbs
<b>Product Size</b>	800*400*650 mm



This product is subject to the provision of European Directive 2012/19/EC. The symbol showing a wheeled bin crossed through indicates that the product requires separate refuse collection in the European Union. This applies to the product and all accessories marked with this symbol. Products marked as such may not be discarded with normal domestic waste, but must be taken to a collection point for recycling electrical and electronic devices.





