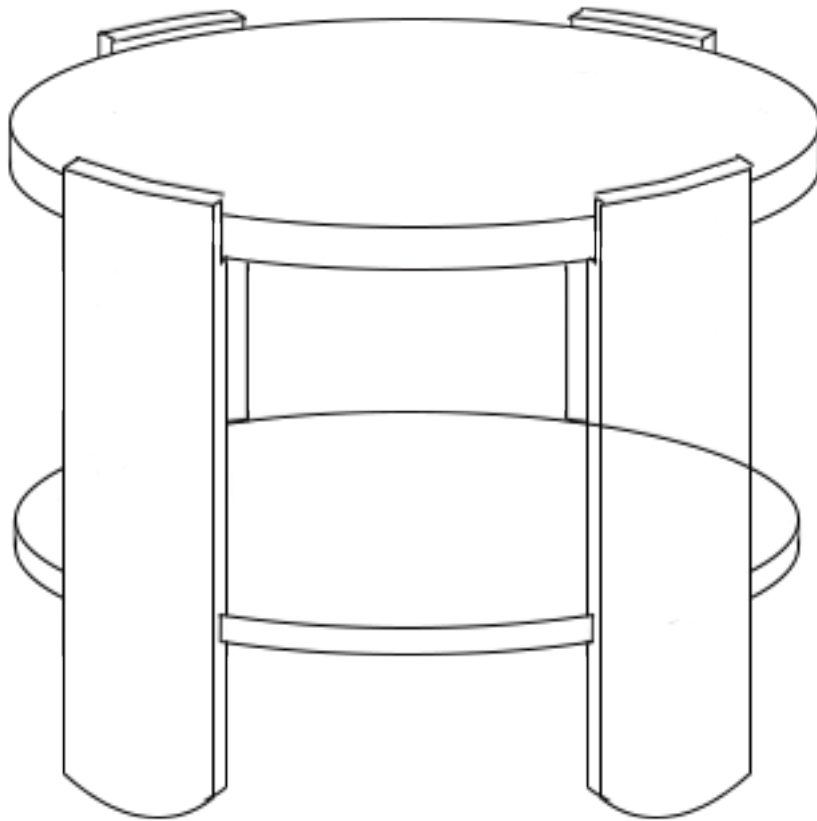
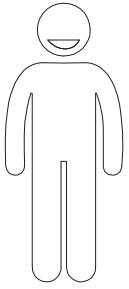
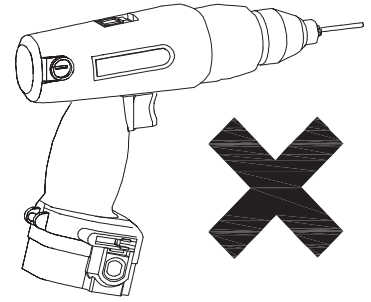
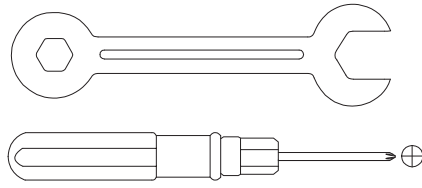


Assembly Instructions



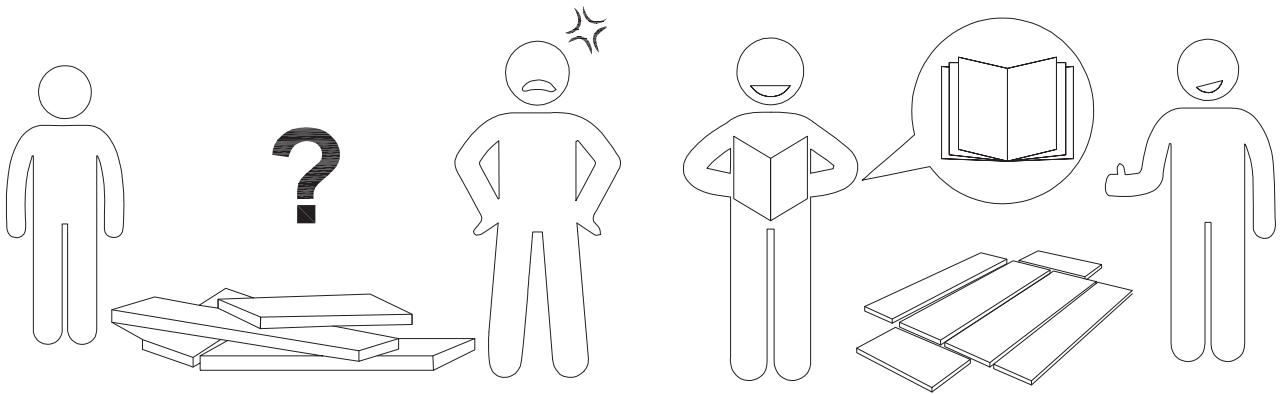


X2



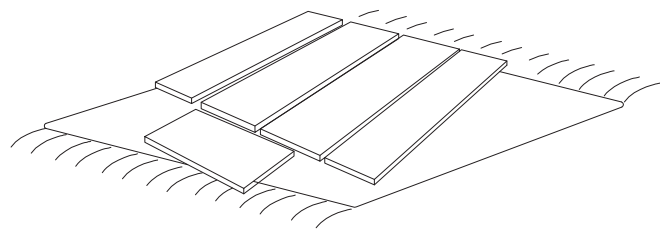
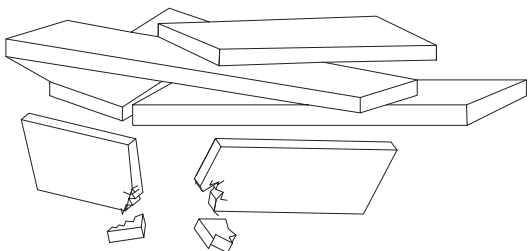
We recommend using hand tools for assembly.

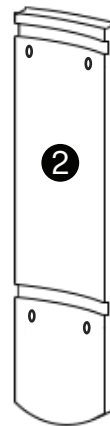
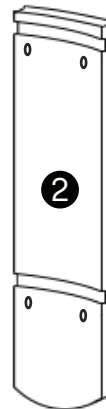
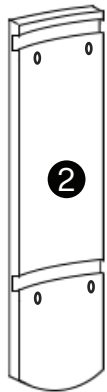
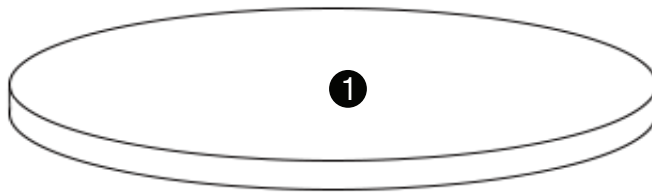
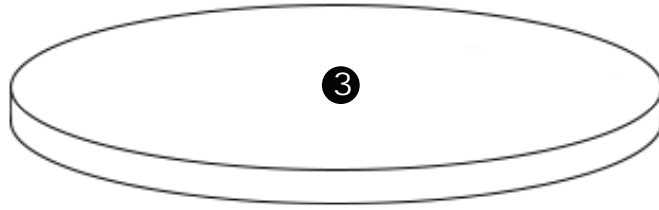
If an electric screwdriver is used, reduce power and torque to avoid damage to the product.



AVOID SCRATCHES

In order to avoid scratching, this furniture should be assembled on a soft surface, such as a rug.



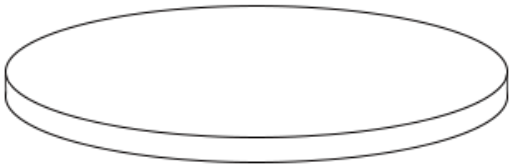


⚠ Caution

Make sure all parts are included. Most board parts are labeled or stamped on the raw edge. Contact us for a free replacement if you encounter any damaged or missing parts.

Parts List

1



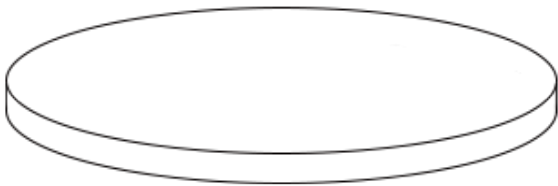
1 pc

2




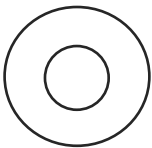
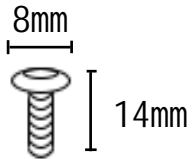


4 pcs

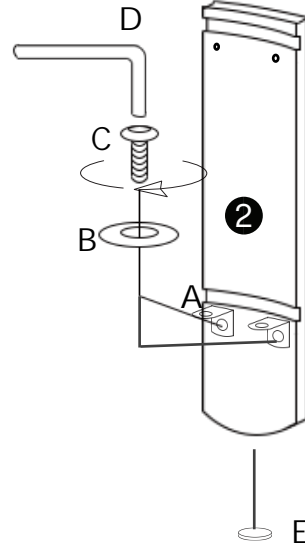
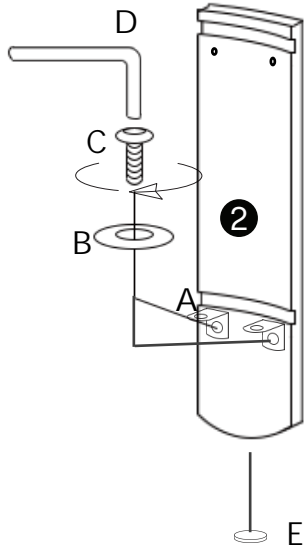
3



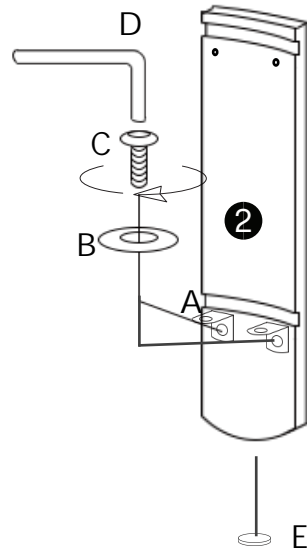
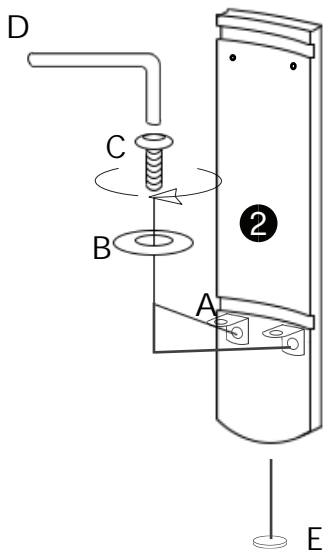
1 pc

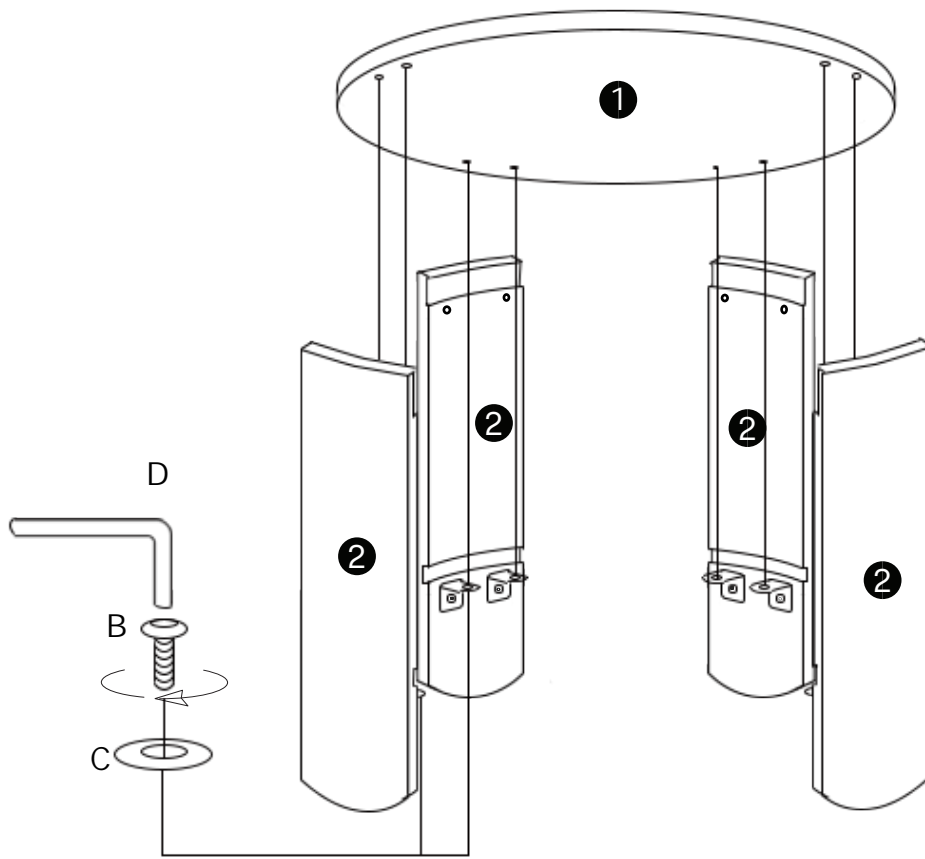
Hardware List

A	B	C	D
			
16pcs	32pcs	32pcs	1pc
E			
			
4pcs			

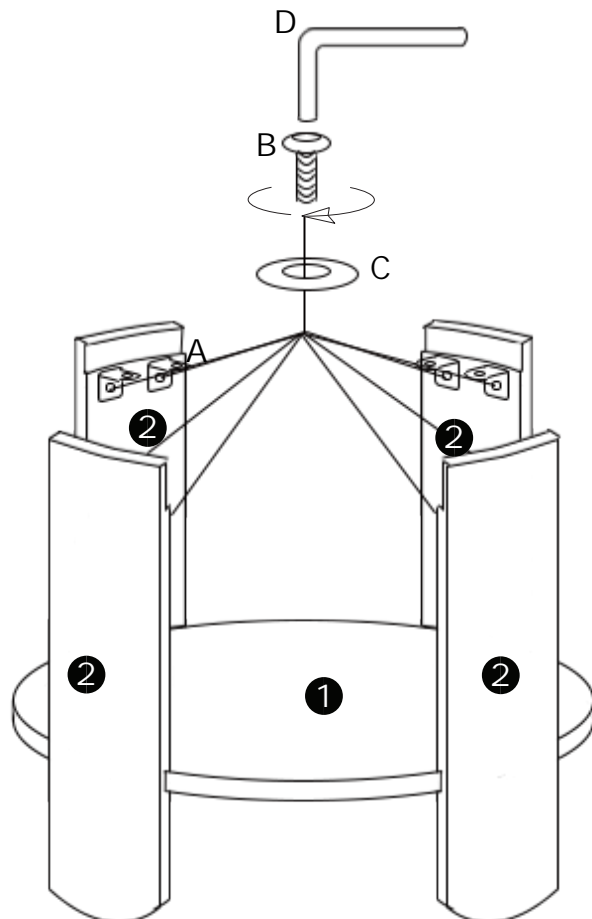


A
8 pcs
B
8 pcs
C
8 pcs
E
4 pcs

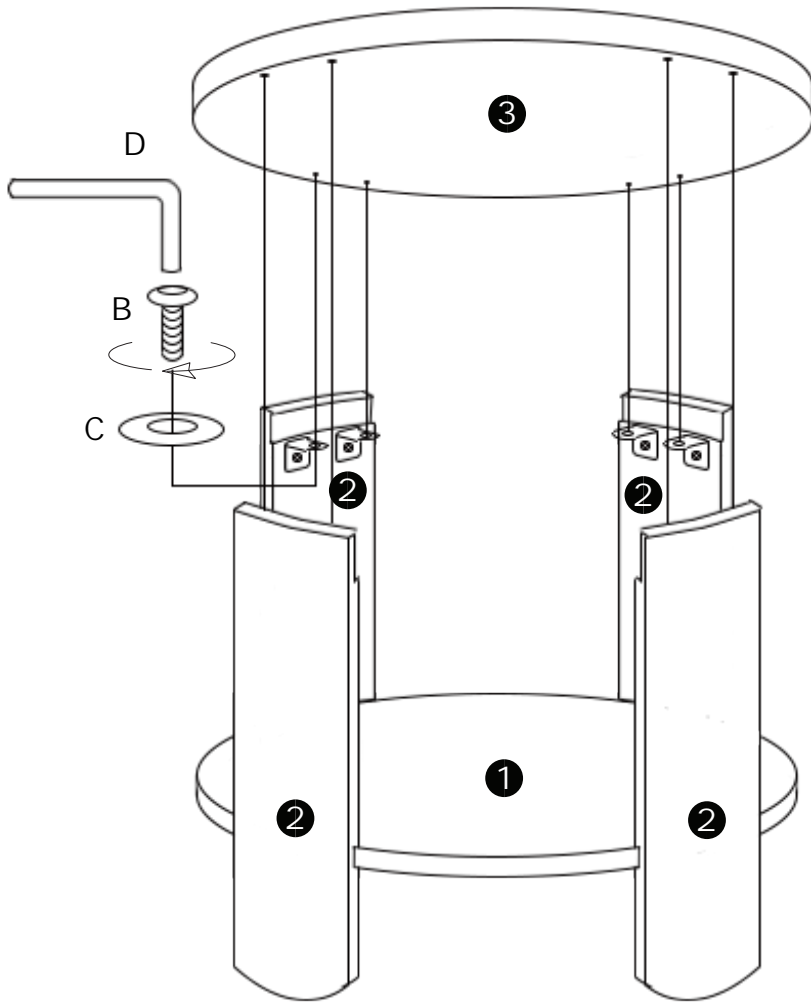




B
8 pcs
C
8 pcs



A
8 pcs
B
8 pcs
C
8 pcs



B
8 pcs

C
8 pcs

Thank you for your support!

