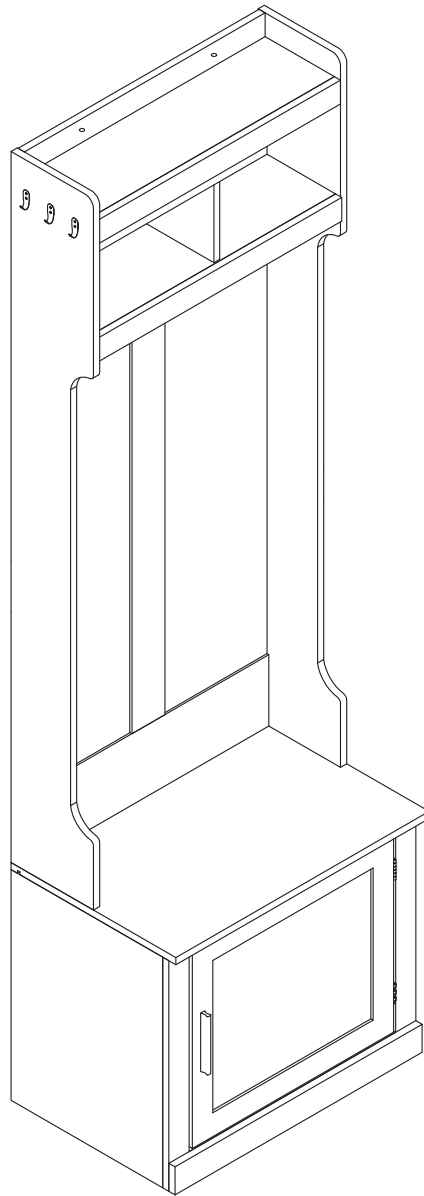


Hall Tree

Assembly Instructions - Please keep for future reference



Dimensions

Width-23.6inch

Depth-15.7inch

Height-78.7inch

Important - Please read these instructions fully before starting assembly



Safety and Care Advice

Important – Please read these instructions fully before starting assembly

- Check you have all the components and tools listed on the following pages.
- Remove all fittings from the plastic bags and separate them into their groups.
- Keep children and animals away from the work area, small parts could choke if swallowed.
- Make sure you have enough space to layout the parts before starting.

- During assembly do not stand or put weight on the product, this could cause damage.
- Assemble the item as close to its final position (in the same room) as possible.
- Assemble on a soft level surface to avoid damaging the unit or your floor.
- Parts of the assembly will be easier with 2 people.



power drill is set on a low torque setting.

- To reduce the likelihood of damaging your product please ensure that your

Care and maintenance

- Only clean using a damp cloth and mild detergent, do not use bleach or abrasive cleaners.
- From time to time check that there are no loose screws on this unit.
- This product should not be discarded with household waste. Take to your local authority waste disposal centre.

Handy Hints

- Assemble all parts and bolts loosely during assembly, only once the product is complete should you fully tighten the bolts
- Regularly check and ensure That all bolts and fittings are tightened properly.

WARNING
In order to help prevent overturning – please follow these instructions

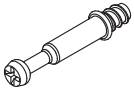

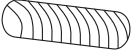

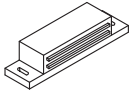


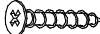



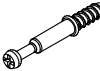
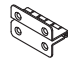






To help prevent product toppling over please follow the below steps:-

Use the anti tip stap or wall fixing method provided (if applicable)
Do not allow children to climb or hang on the furniture
Do not open more than one drawer at a time
Do not place heavy items in the top drawers
Do not place heavy items on top of the furniture, unless the furniture has been designed for this purpose

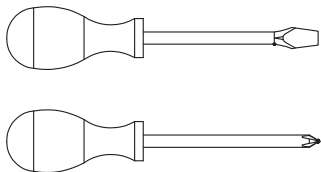
Components - Fittings

Please check you have all the panels listed below

Note: The quantities below are the correct amount to complete the assembly. In some cases more fittings may be supplied than are required.

<p>(A)  Cam Bolt x 46+2</p>	<p>(B)  Cam lock x 50+2</p>	<p>(C)  Dowel x 46+2</p>	<p>(D)  4*40mm Screw x 9+1</p>
<p>(E)  x 1</p>	<p>(F)  3*12mm Screw x 13+1</p>	<p>(G)  x 3</p>	<p>(H)  4*25mm Screw x 2</p>
<p>(I)  3*16mm Screw x 2</p>	<p>(J)  x 12</p>	<p>(K)  x 2</p>	<p>(L)  Cam Bolt x 4</p>
<p>(M)  x 2</p>	<p>(N)  x 3</p>	<p>(O)  Doorknob x 1</p>	<p>(P)  4*18mm Screw x 2</p>
<p>(Q)  x 1</p>	<p>(R)  3.5*14mm Screw x 24+2</p>	<p>(S)  4*35mm Screw x 2</p>	

Tools required



Phillips screwdriver
(medium & large)

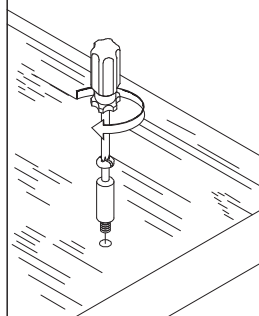
Using Camlocks

Step 1

Connect the male camlock as directed in the assembly instructions using a screwdriver.

1

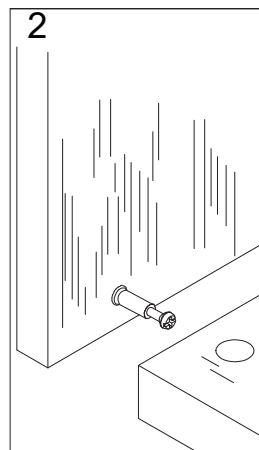
DO NOT OVER TIGHTEN.
NE PAS SERRER EXCESSIVEMENT.



Step 2

Push the male camlock into the entry hole.

2

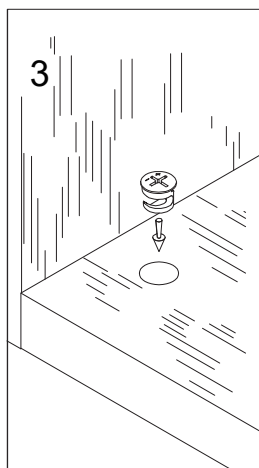


Step 3

Insert the female camlock as shown in the instruction.

Note: ensure that the arrow on the top of the camlock points towards the entry hole for the male camlock.

3



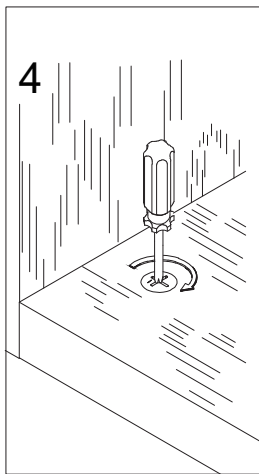
Step 4

Turn the female camlock clockwise with a screwdriver.

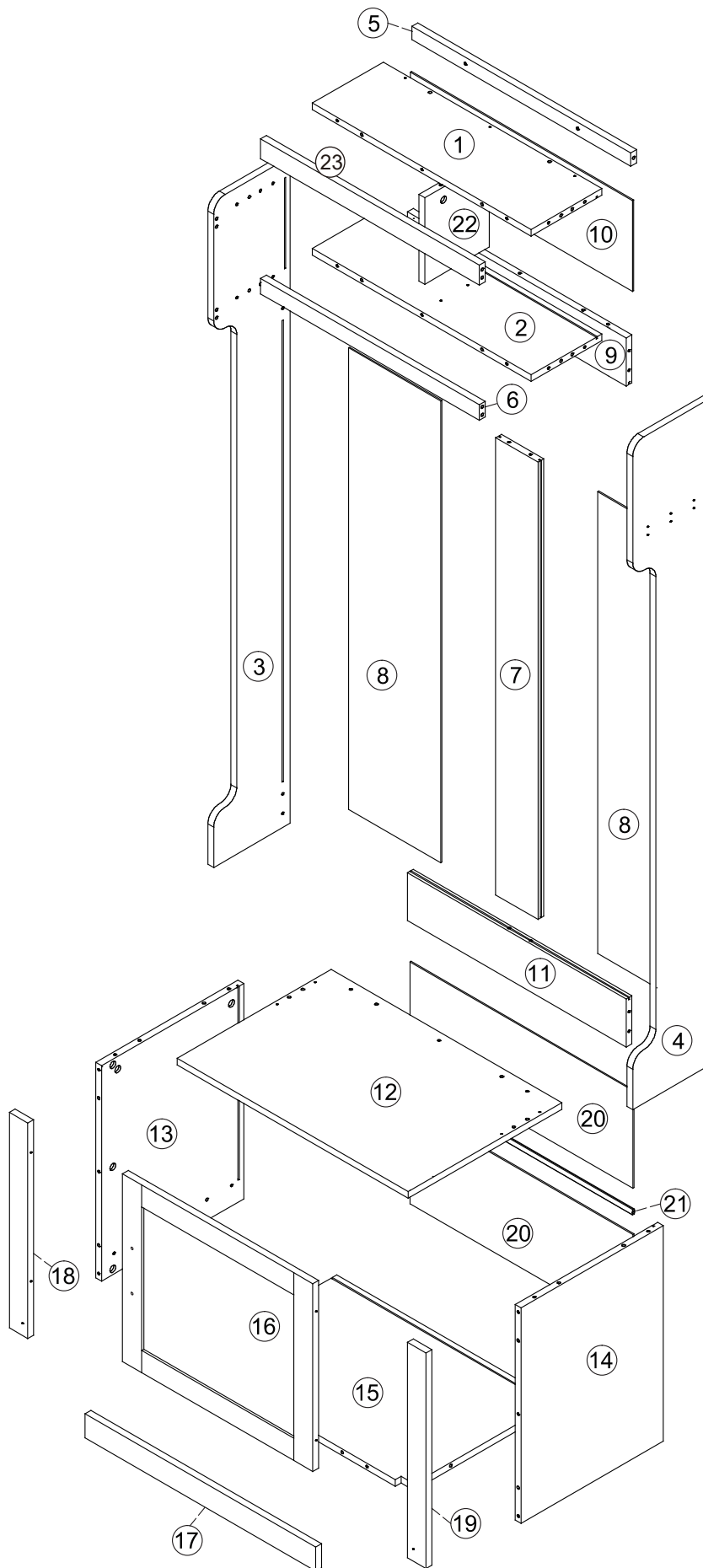
You should feel a click when the camlock is locked in place.

The joint is now secure.

4

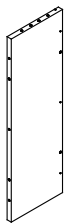


Assembly Instructions



Assembly Instructions

① x1



569 x 183 x 15mm

② x1



569 x 183 x 15mm

③ x1



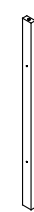
1500 x 199 x 15mm

④ x1



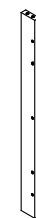
1500 x 199 x 15mm

⑤ x1



569 x 30 x 15mm

⑥ x1



569 x 37 x 15mm

⑦ x1



1024 x 110 x 15mm

⑧ x2



1032 x 240 x 3mm

⑨ x1



569 x 108 x 15mm

⑩ x1



578 x 204 x 3mm

⑪ x1



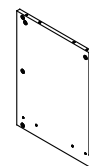
569 x 108 x 15mm

⑫ x1



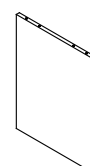
600 x 400 x 15mm

⑬ x1



485 x 370 x 15mm

⑭ x1



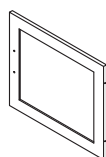
485 x 370 x 15mm

⑮ x1



570 x 385 x 15mm

⑯ x1



493 x 423 x 15mm

⑰ x1



600 x 54 x 15mm

⑱ x1



485 x 48 x 15mm

⑲ x1



485 x 48 x 15mm

⑳ x2



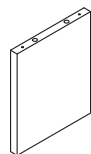
577 x 220 x 3mm

㉑ x1



560mm

㉒ x1



195 x 167 x 15mm

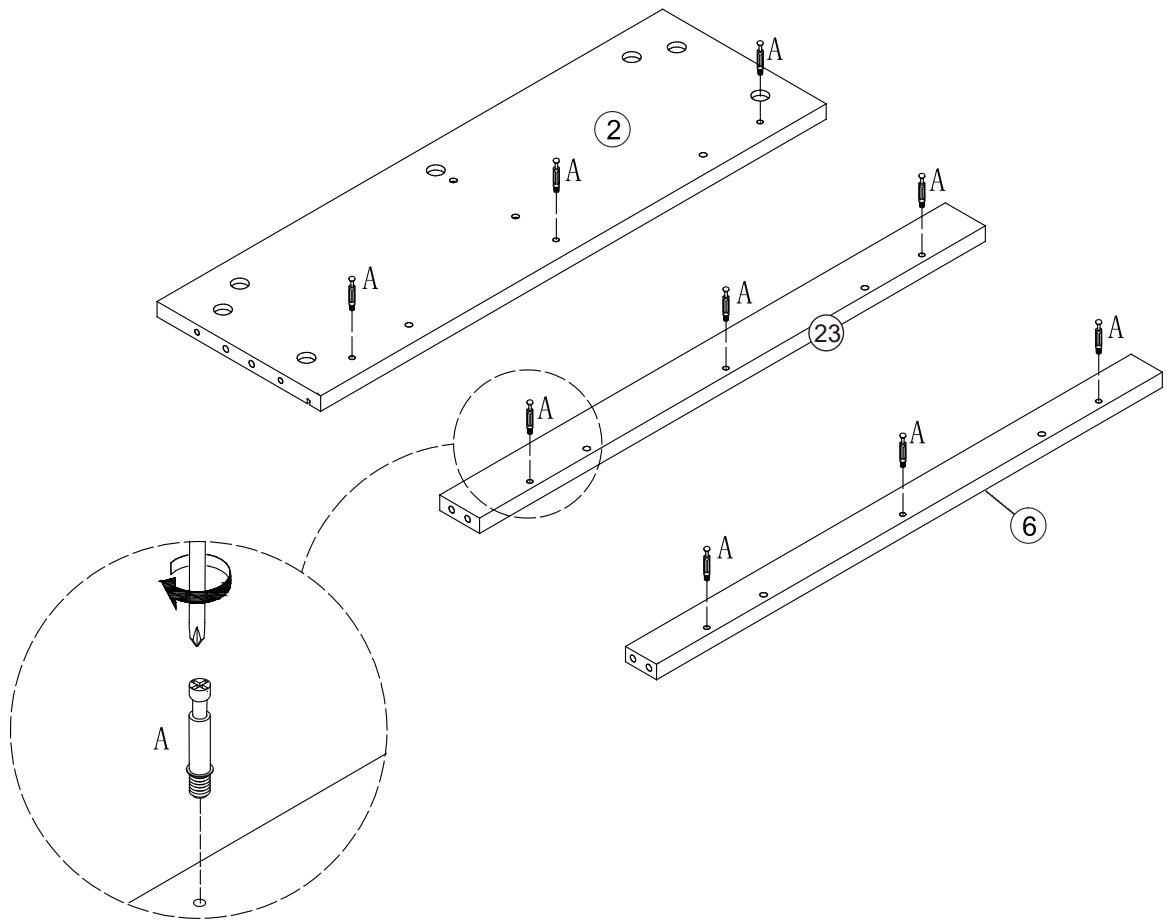
㉓ x1



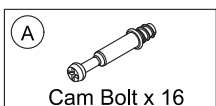
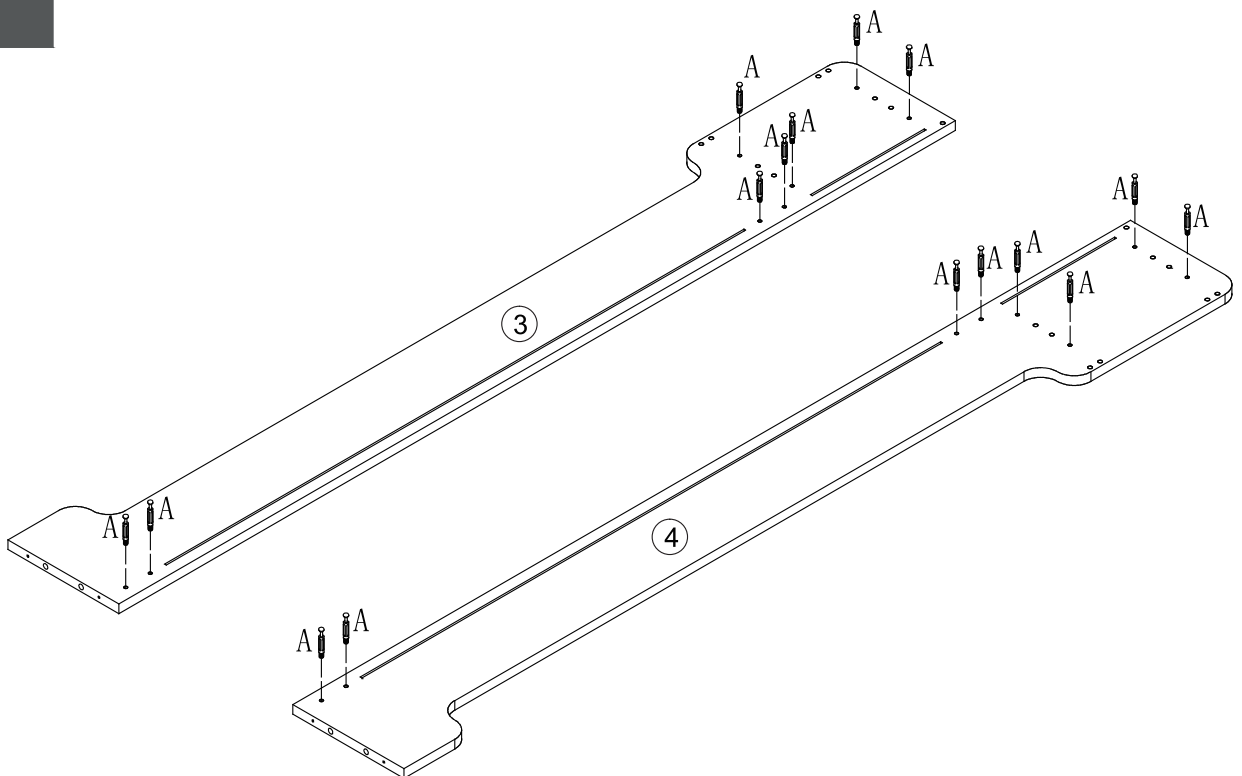
564 x 44 x 15mm

Assembly Instructions

Step 1

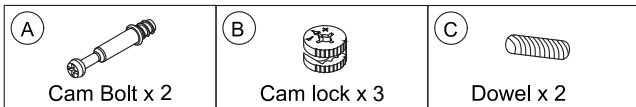
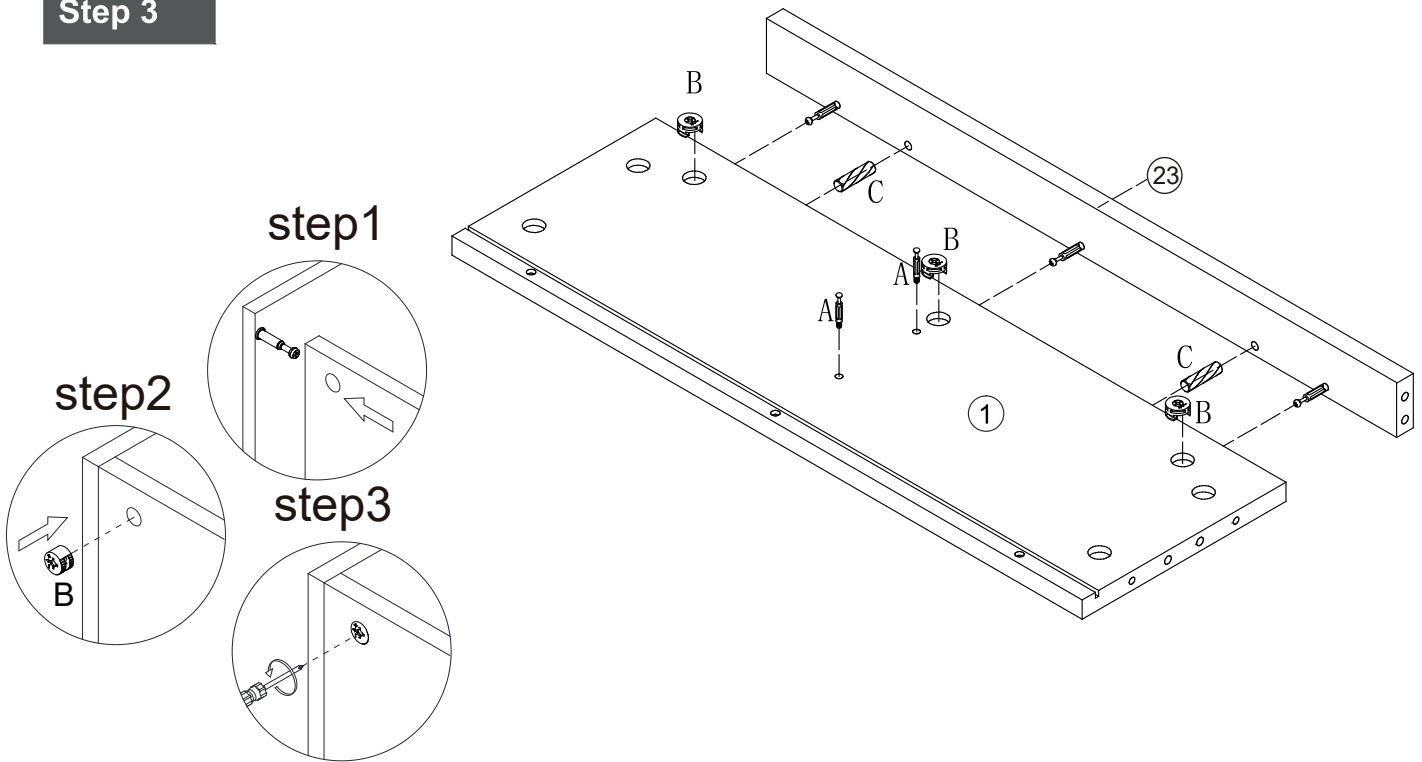


Step 2

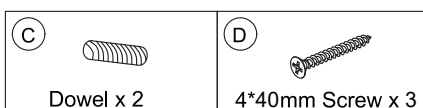
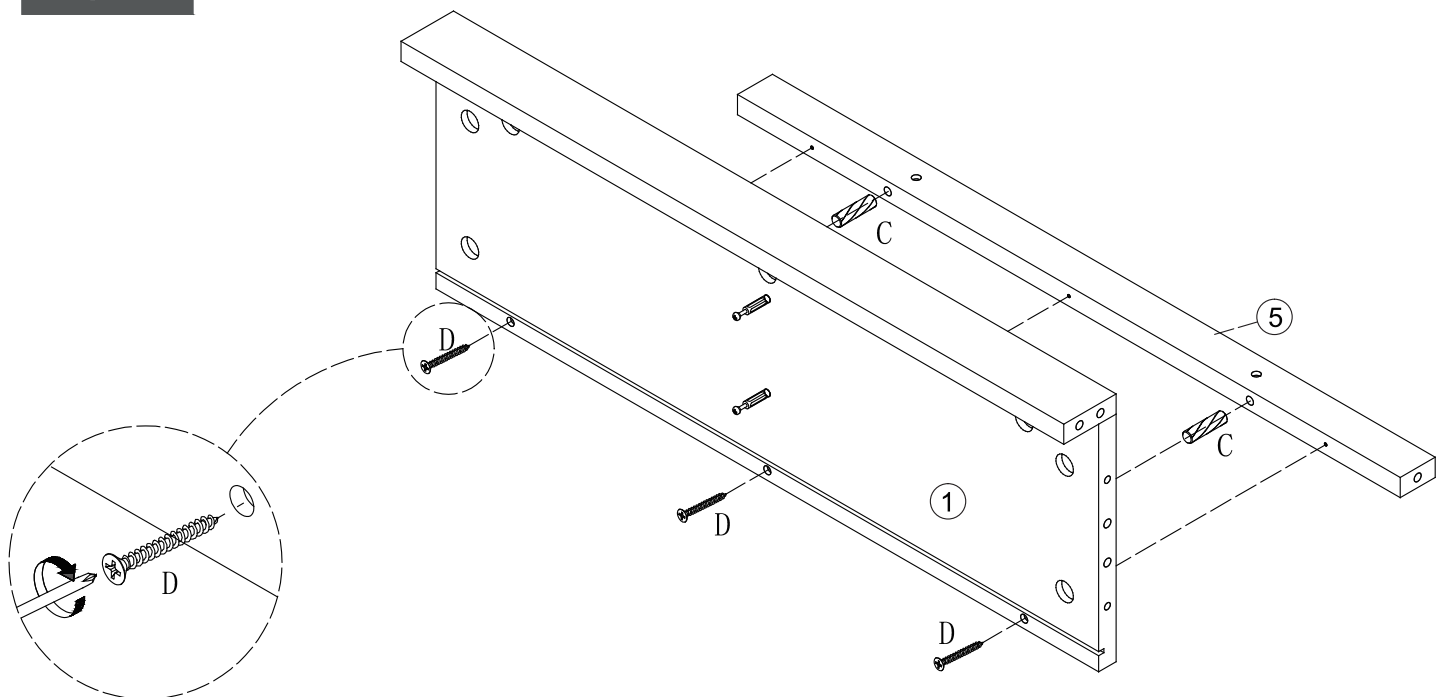


Assembly Instructions

Step 3

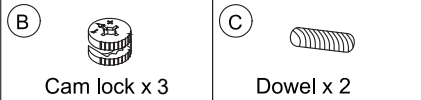
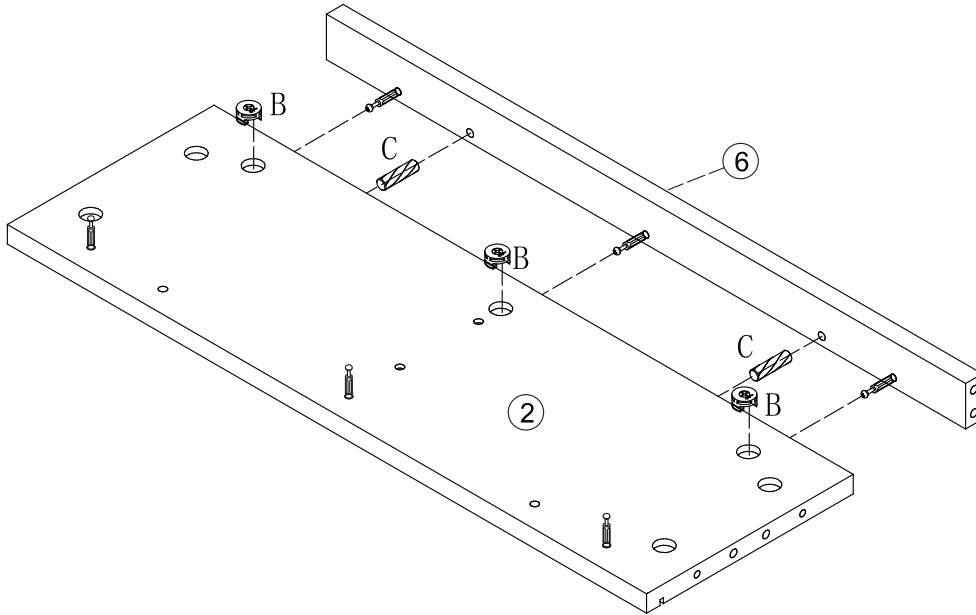


Step 4

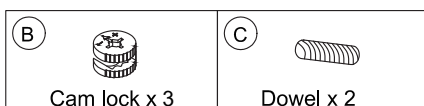
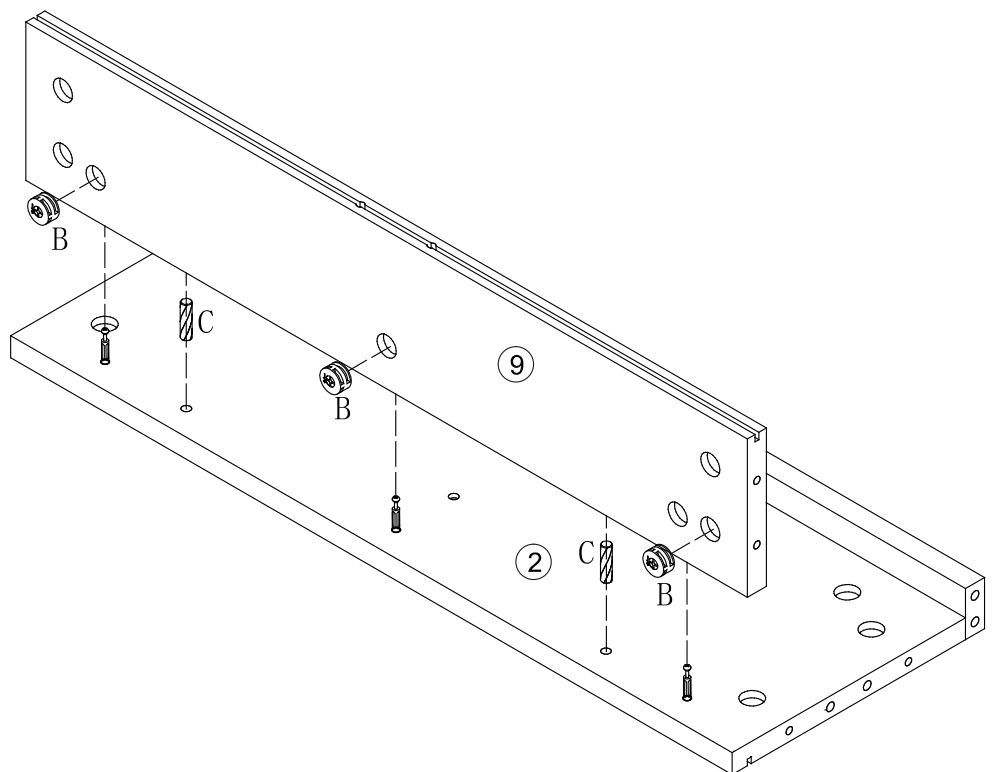
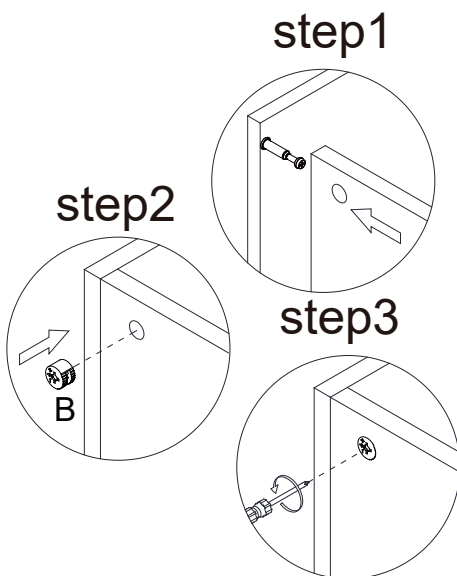


Assembly Instructions

Step 5

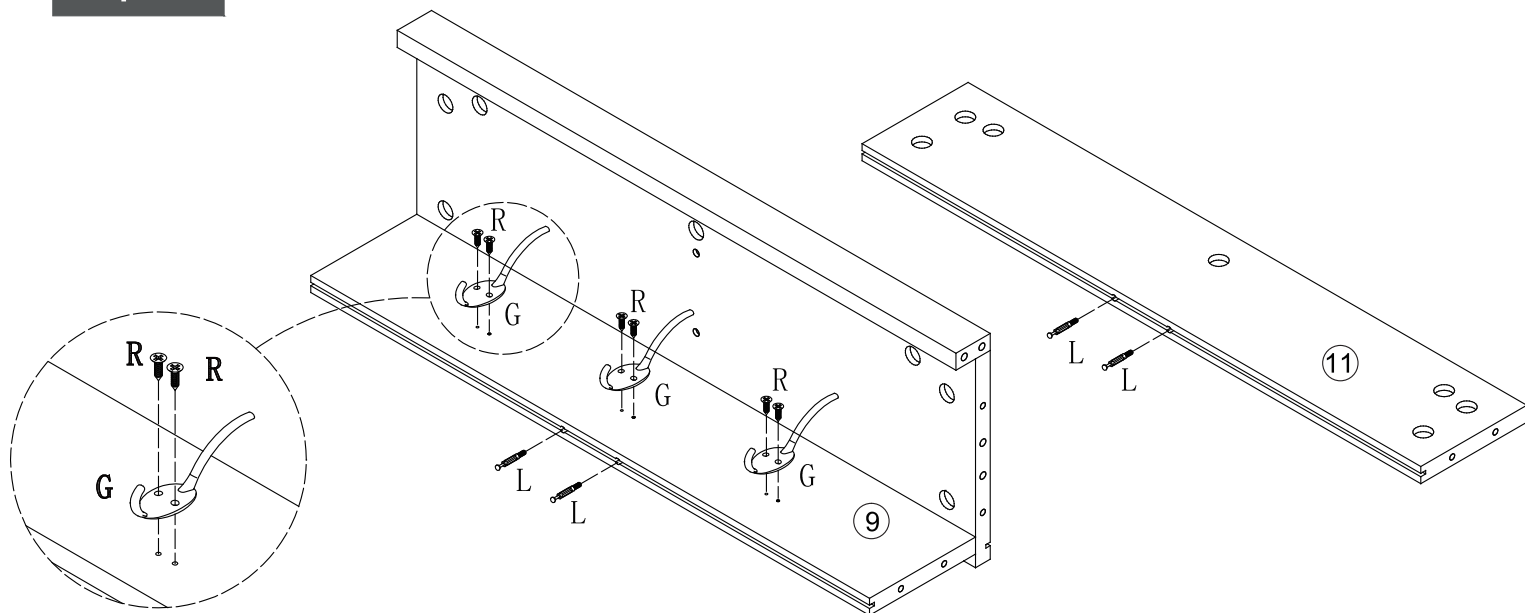


Step 6



Assembly Instructions

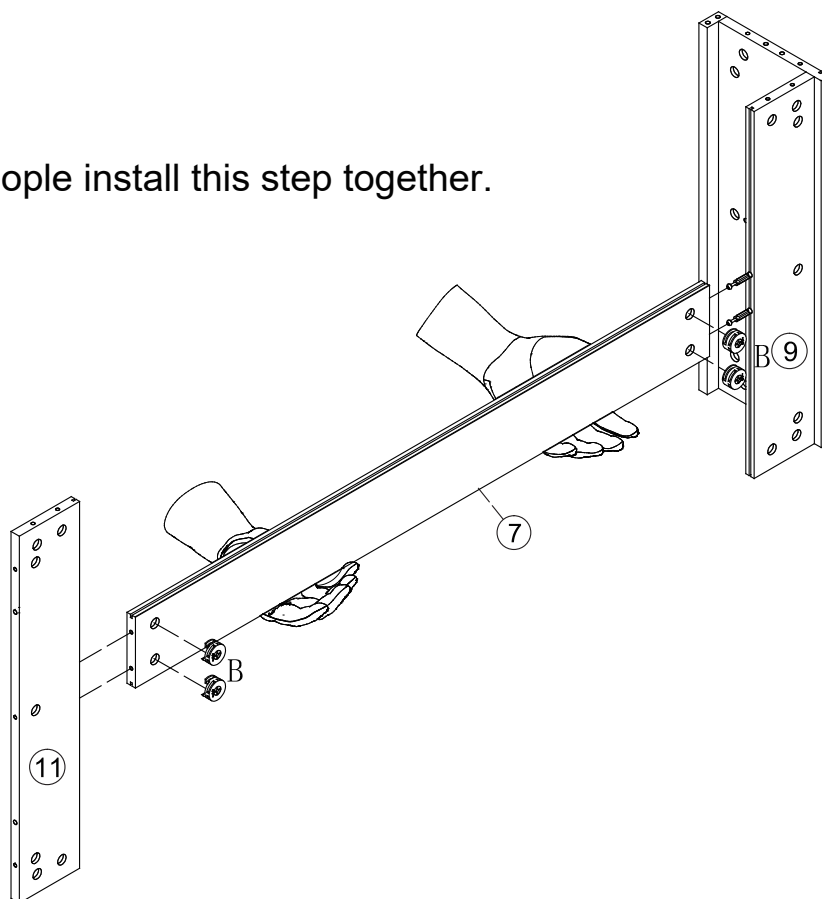
Step 7



x3	3.5*14mm Screw x 6	Cam Bolt x 4
----	--------------------	--------------

Step 8

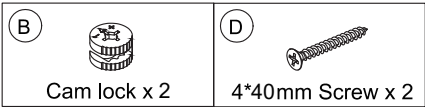
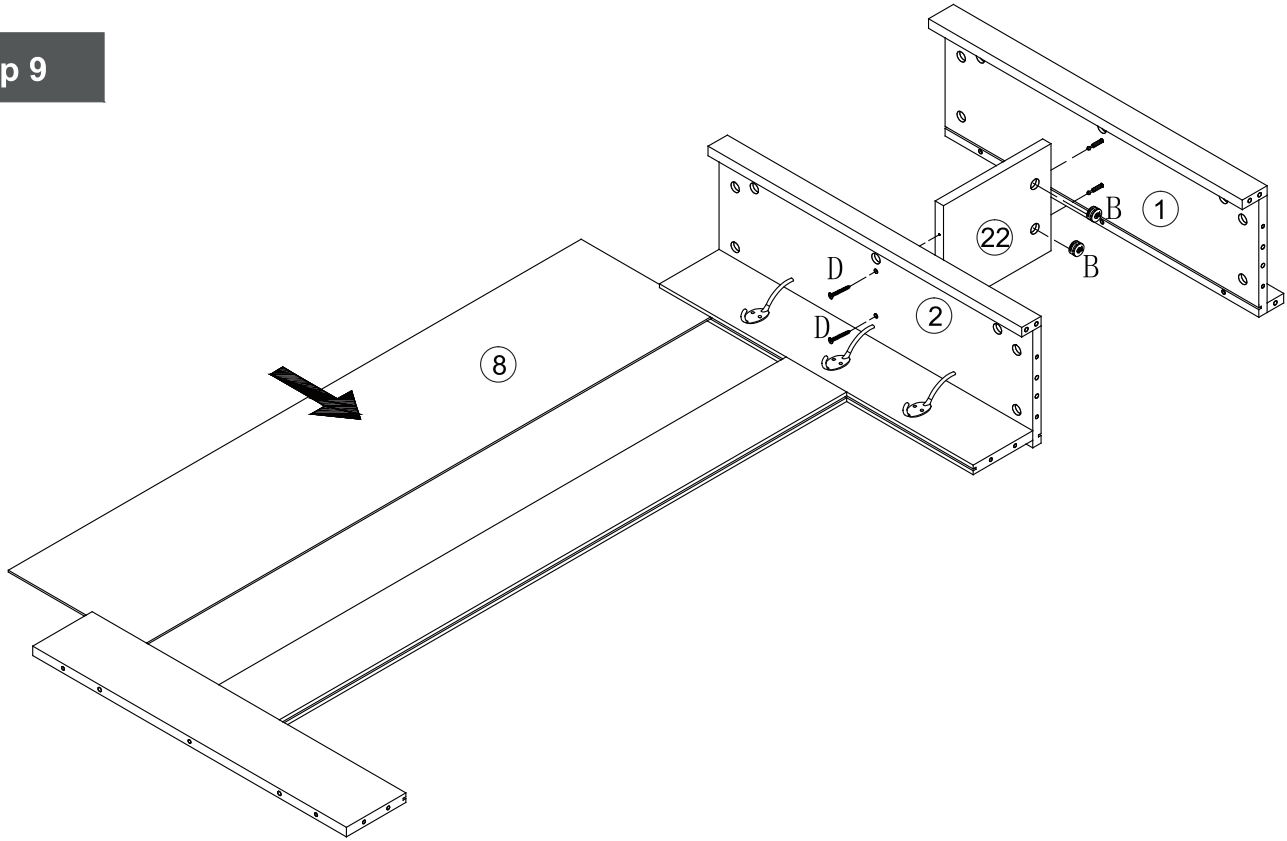
It's best if two people install this step together.



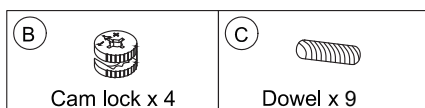
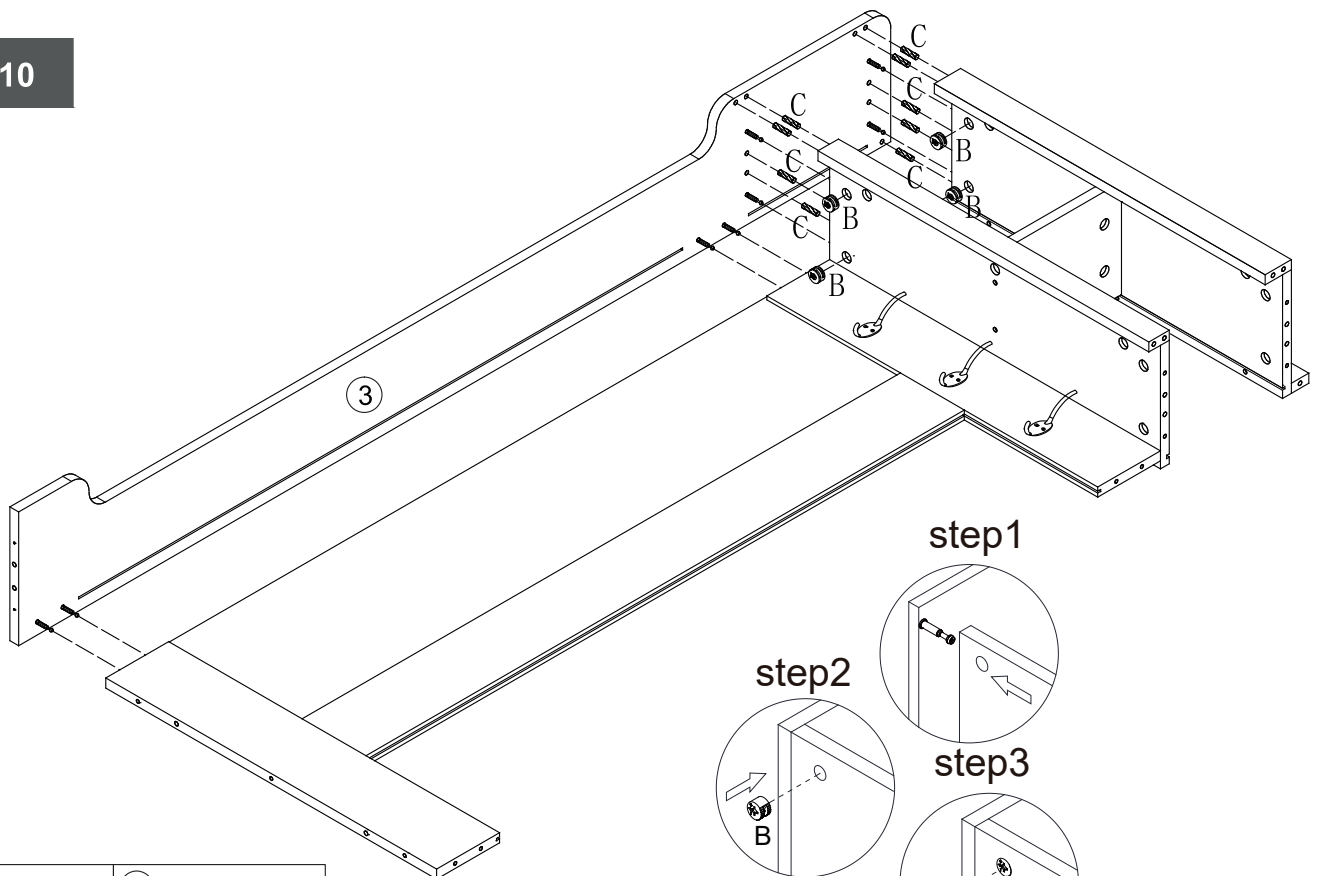
Cam lock x 4

Assembly Instructions

Step 9

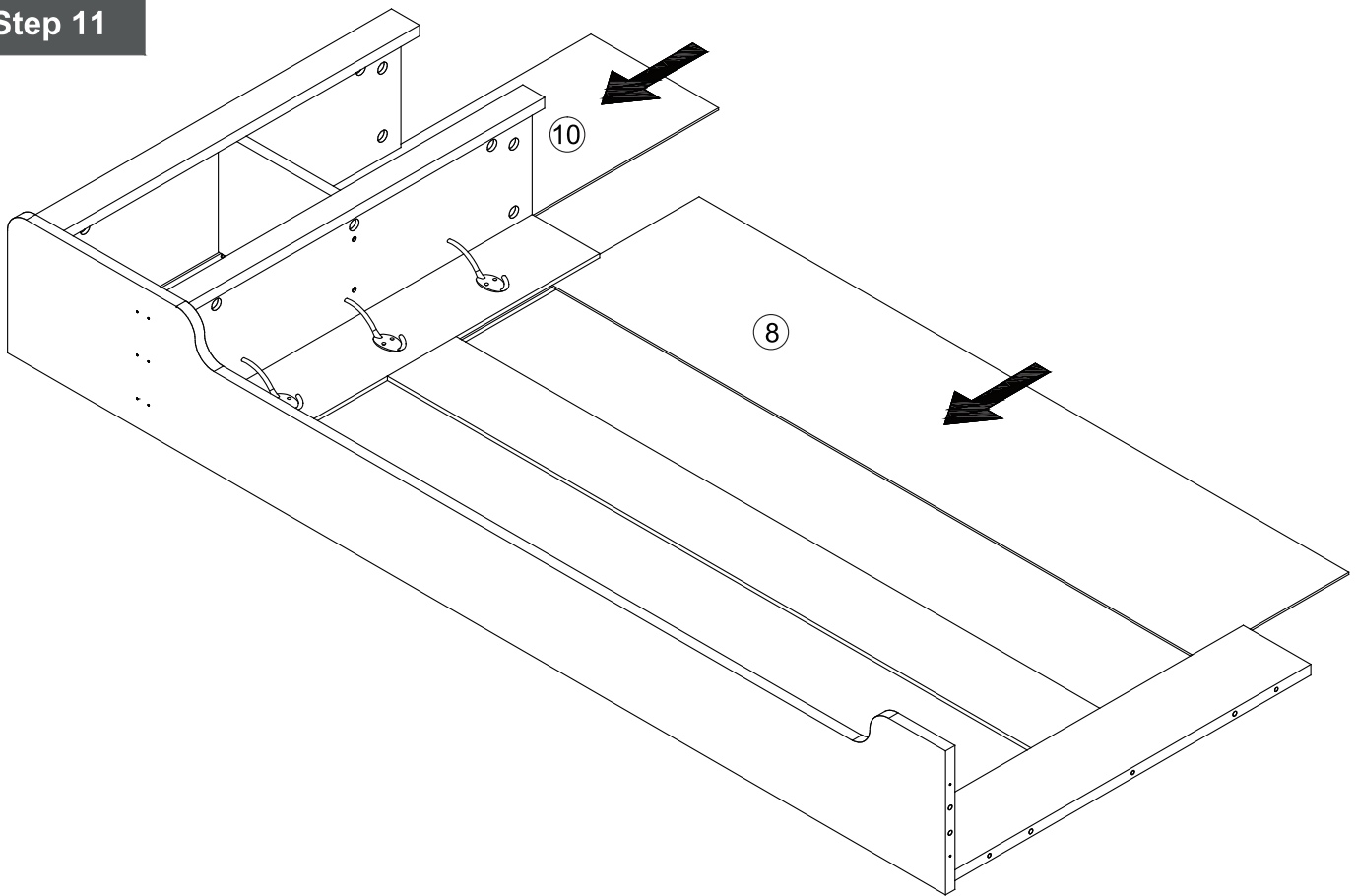


Step 10

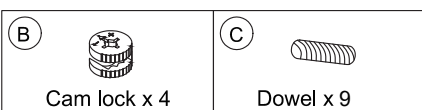
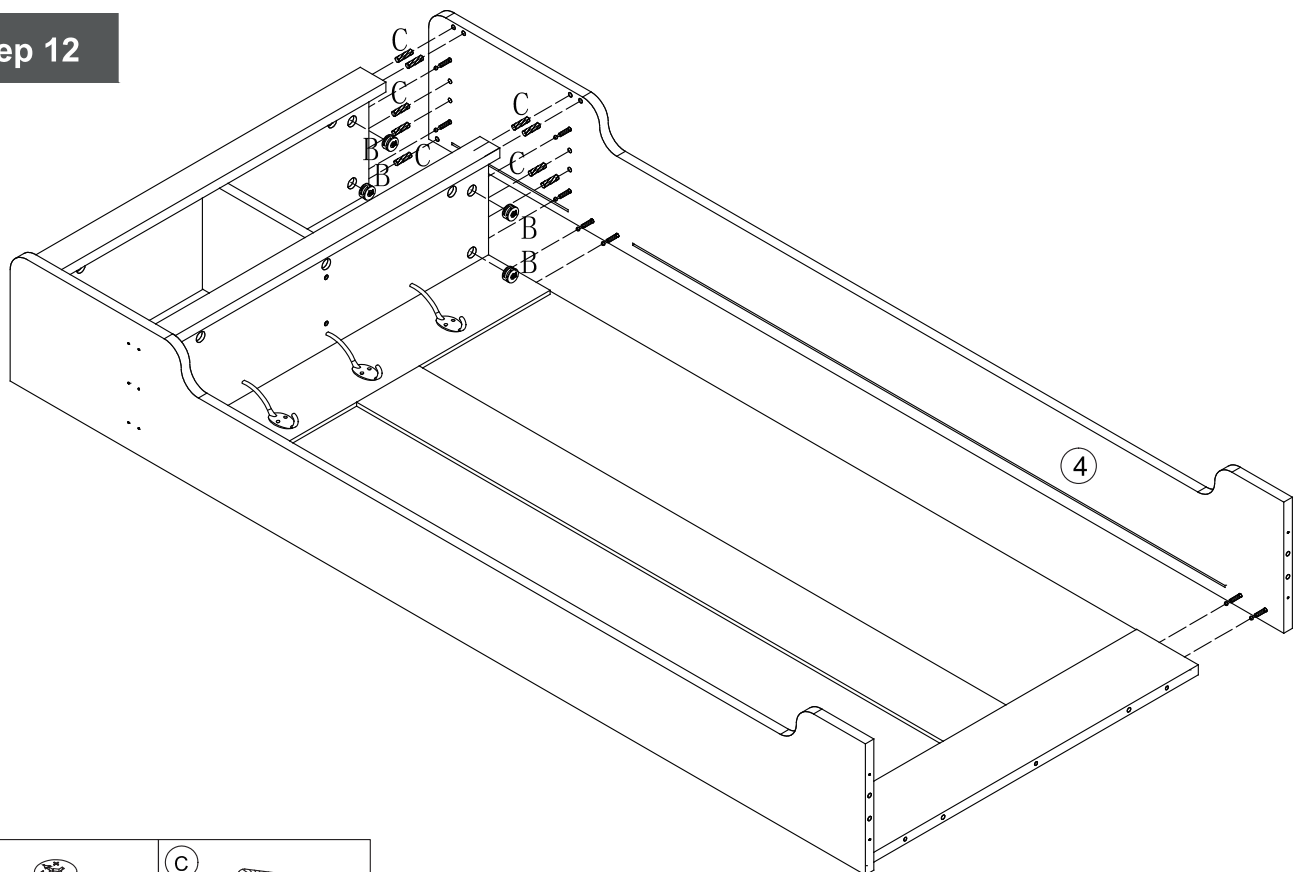


Assembly Instructions

Step 11

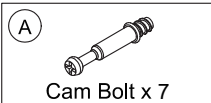
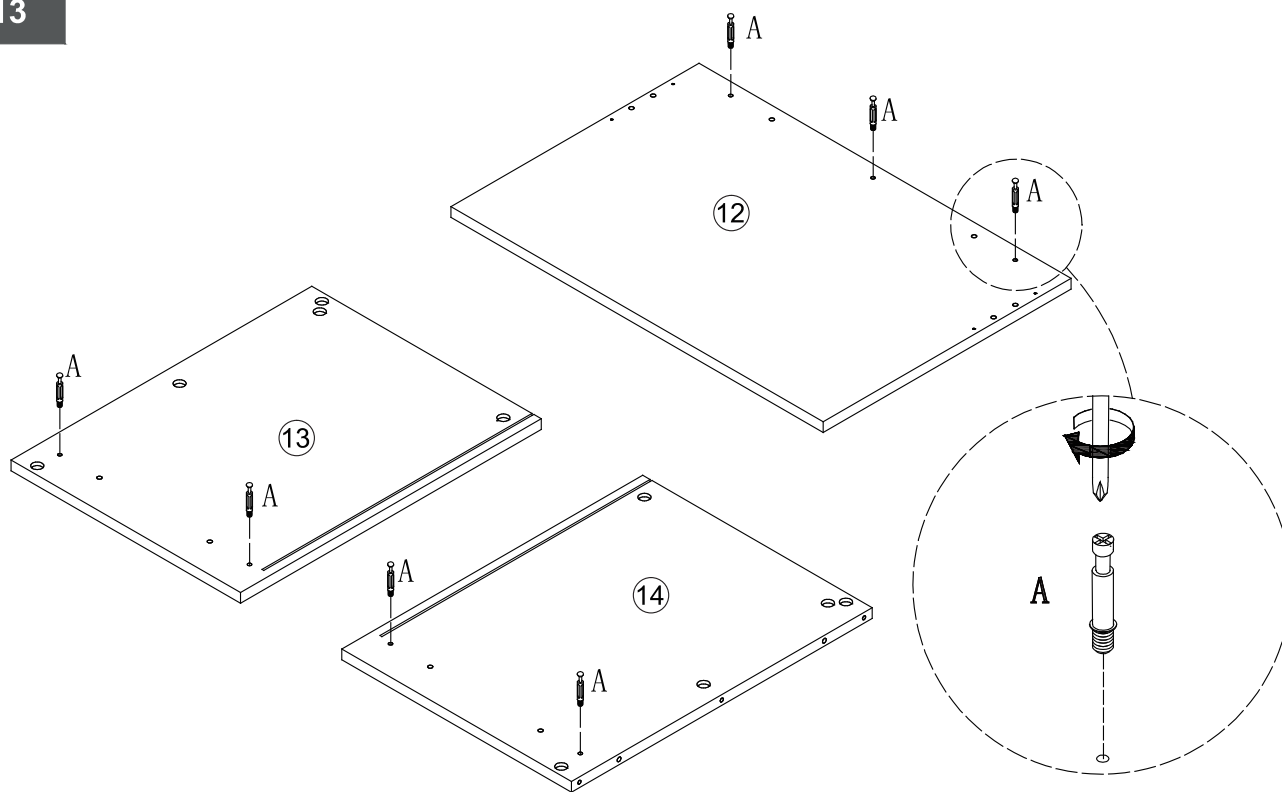


Step 12

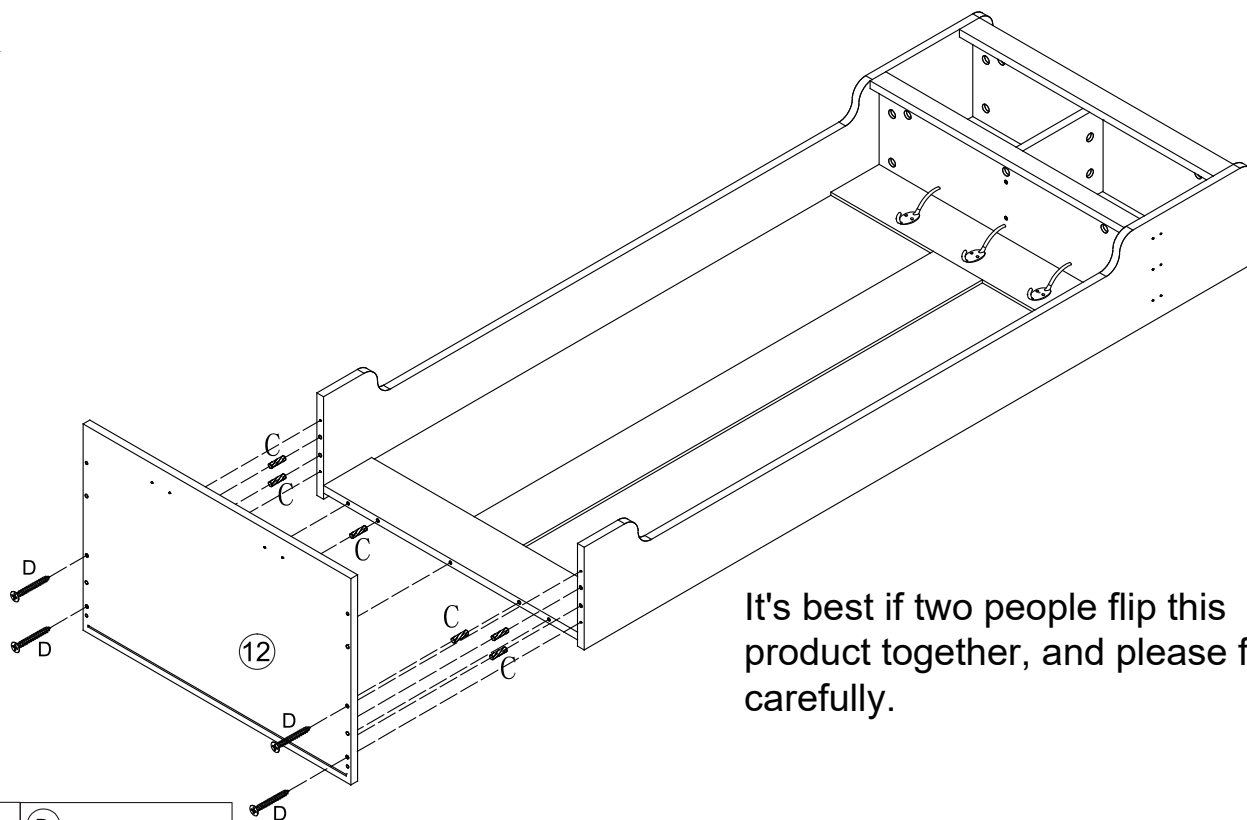


Assembly Instructions

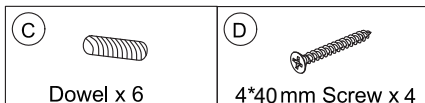
Step 13



Step 14



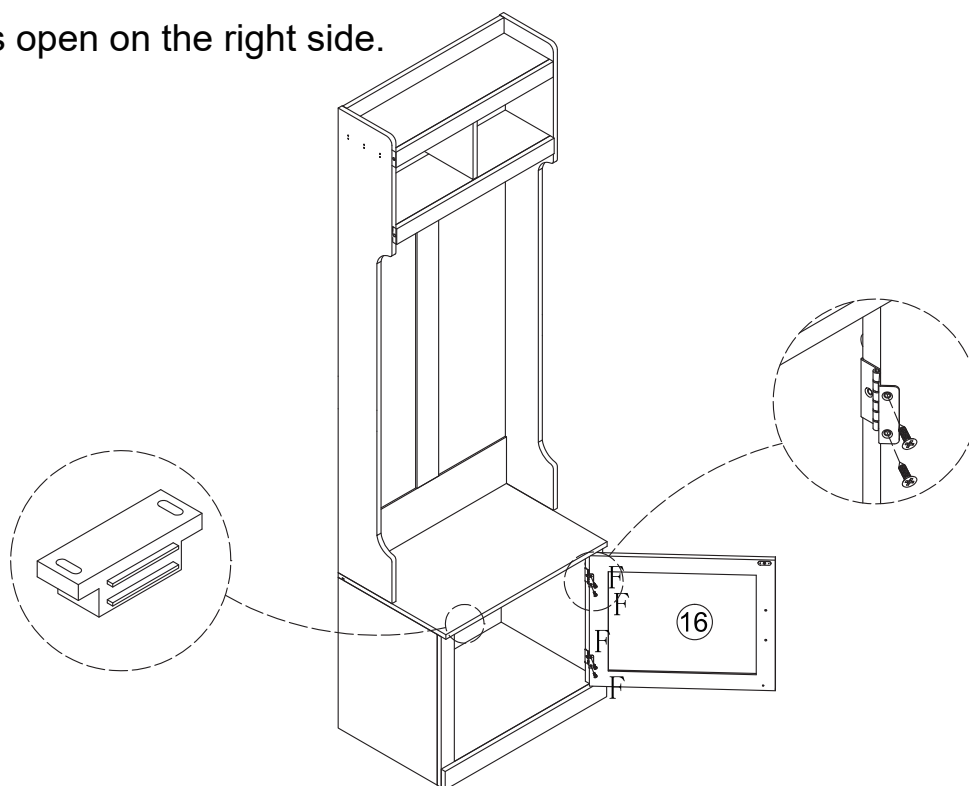
It's best if two people flip this product together, and please flip carefully.



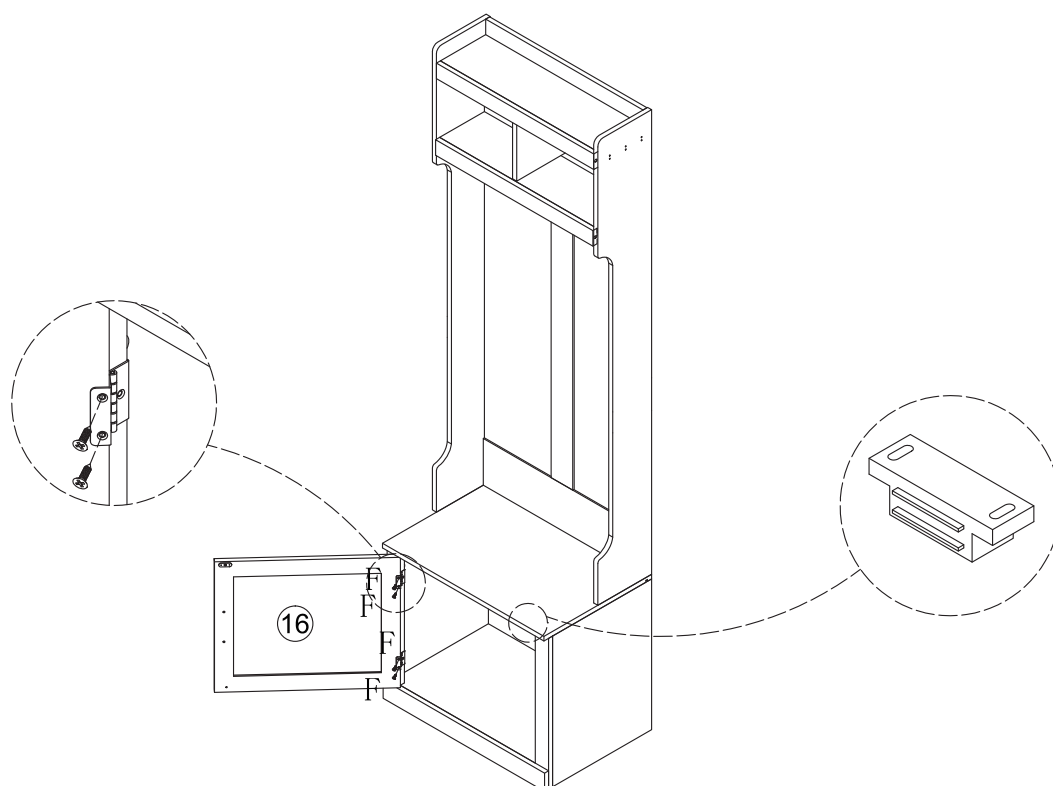
Assembly Instructions

By adjusting the screw hole installation position on steps 15-18, different door opening directions can be selected

Version A: Doors open on the right side.



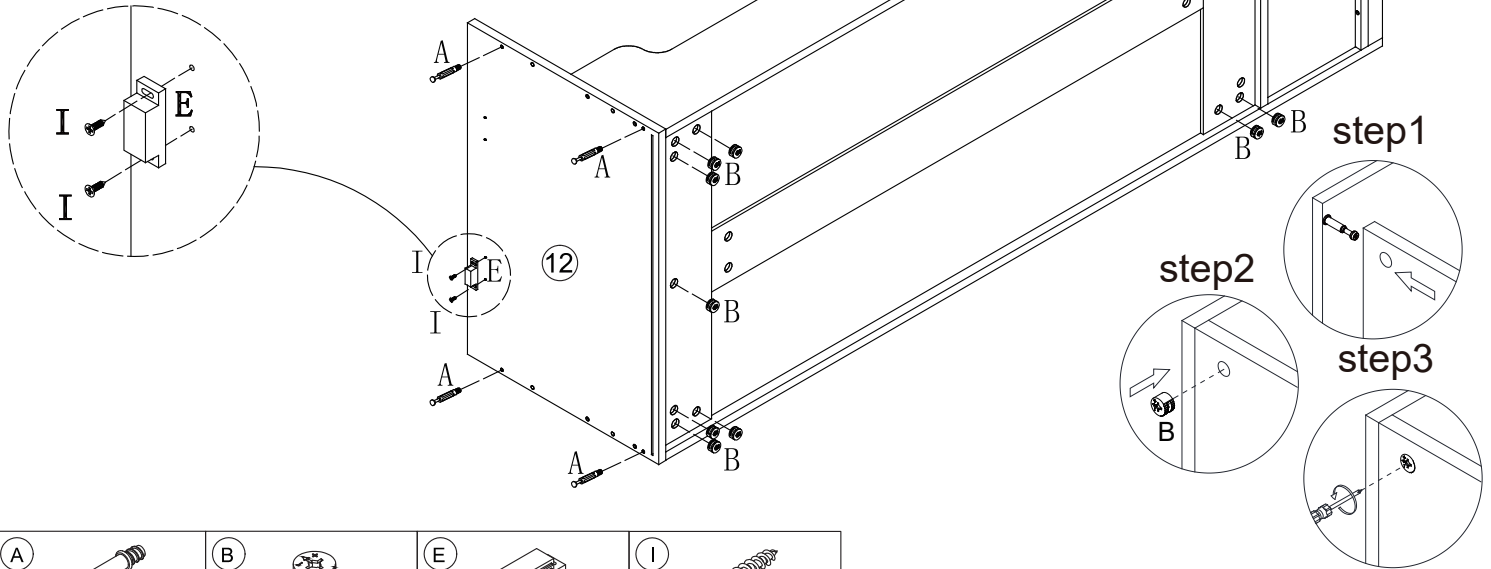
Version B: Doors open on the left side.

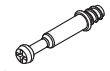

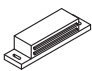



Assembly Instructions

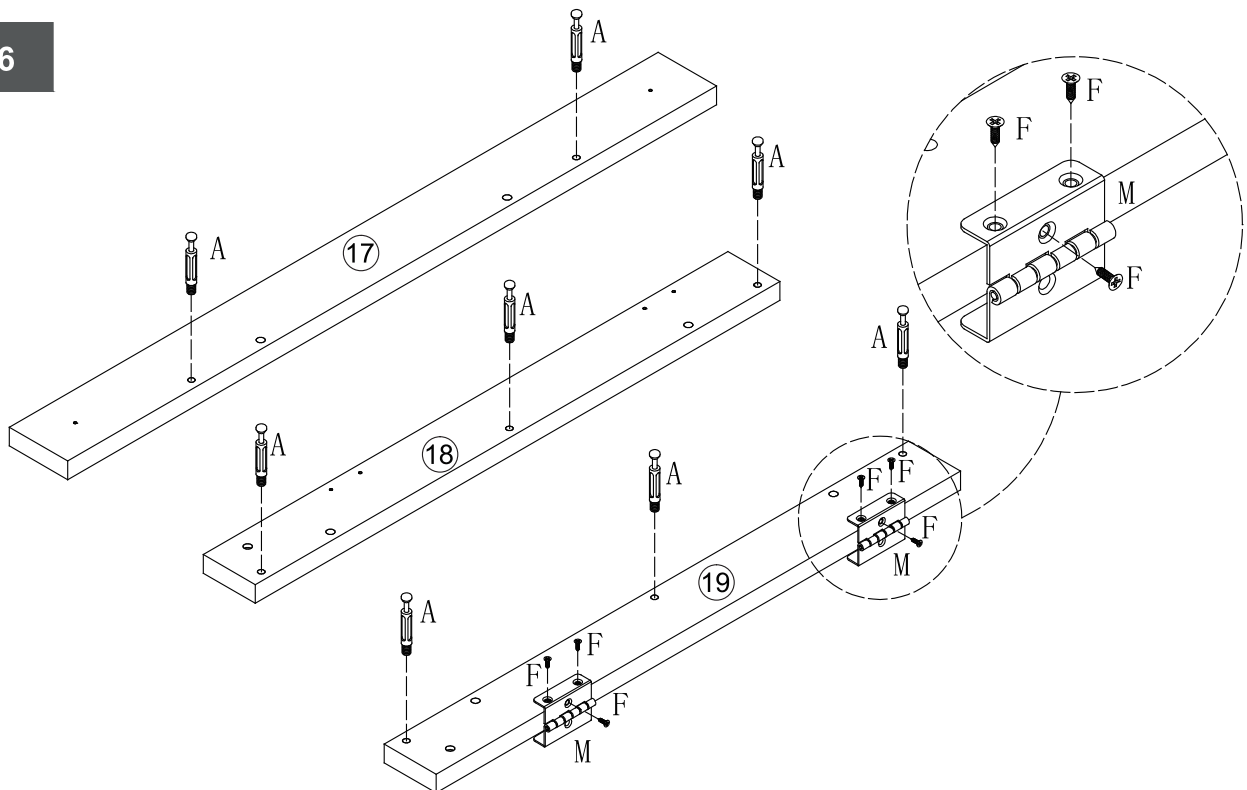
Step 15

It's best if two people flip this product together, and please flip carefully.



<p>(A)  Cam Bolt x 4</p>	<p>(B)  Cam lock x 11</p>	<p>(E)  x 1</p>	<p>(I)  3*16mm Screw x 2</p>
---	--	--	---

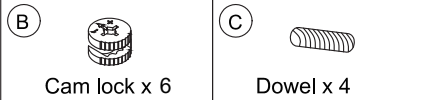
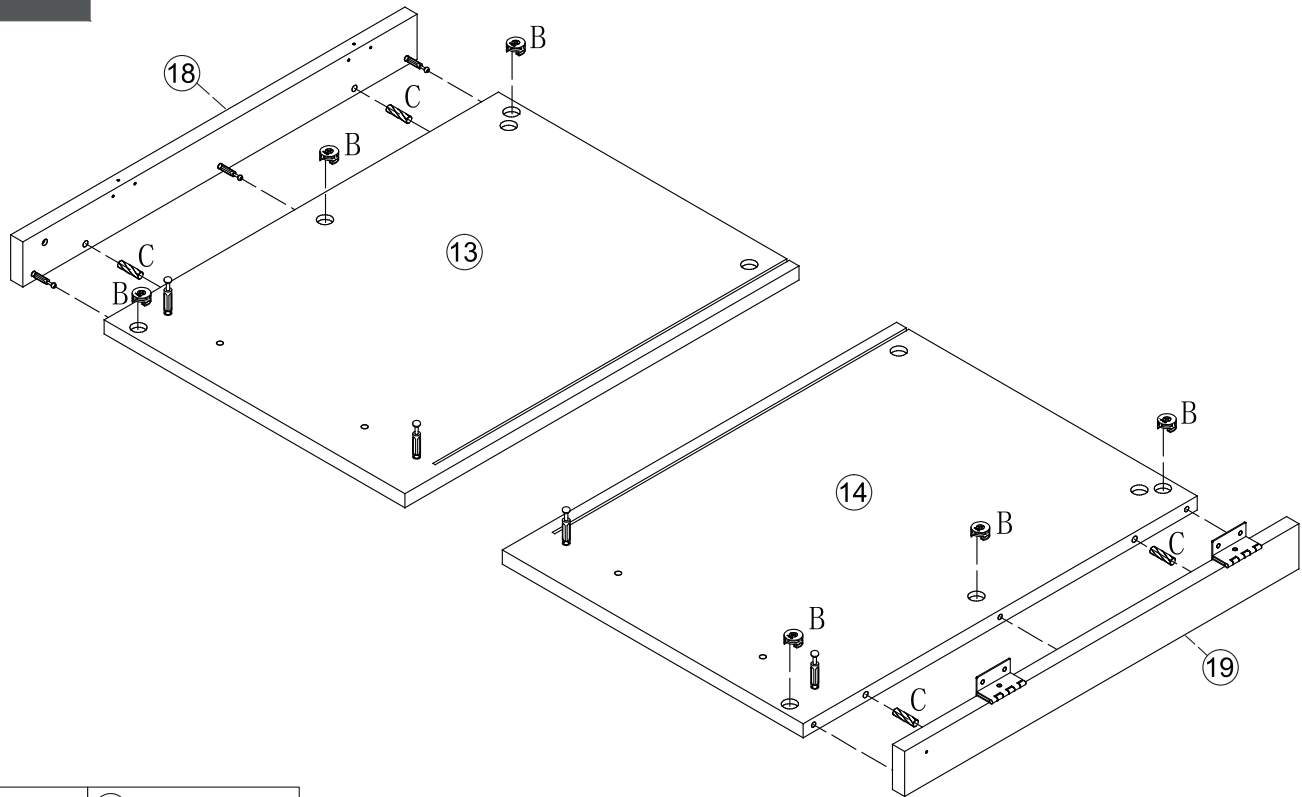
Step 16



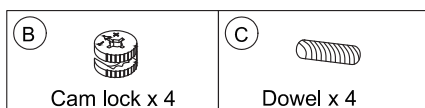
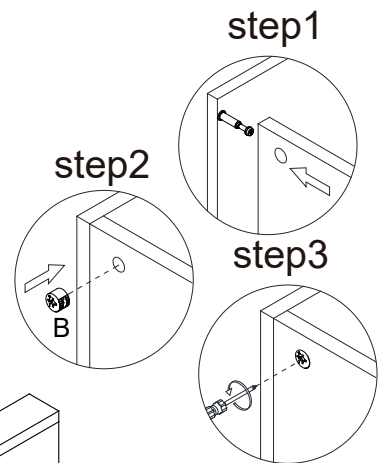
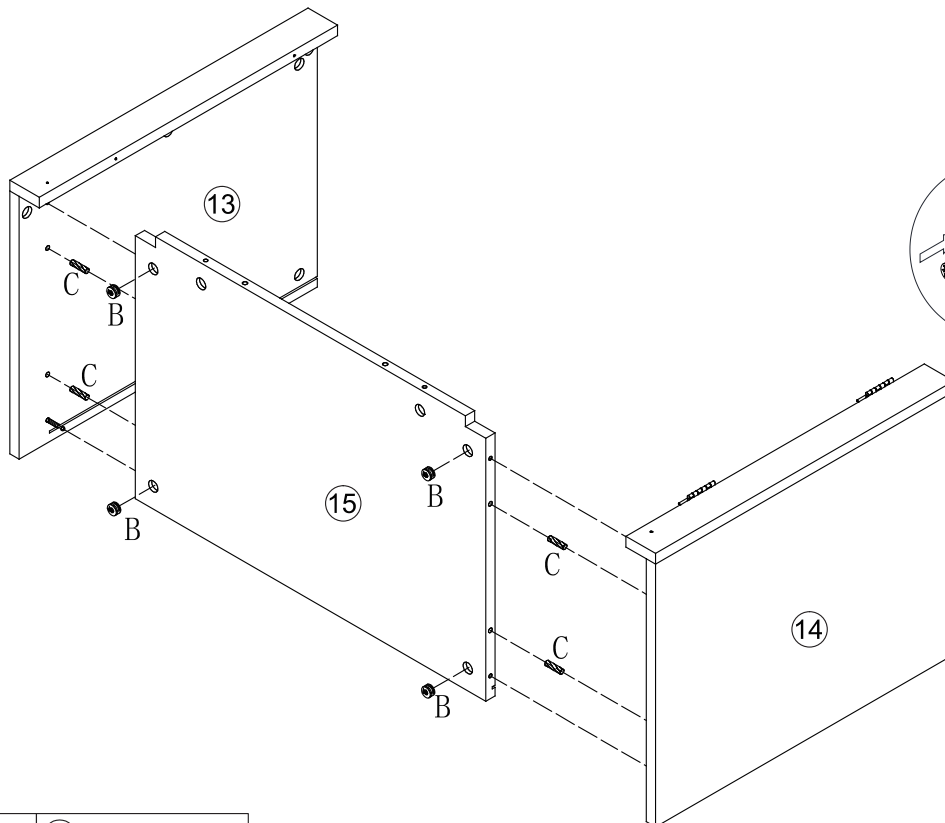
<p>(A)  Cam Bolt x 8</p>	<p>(F)  3*12mm Screw x 6</p>	<p>(M)  x 2</p>
---	---	--

Assembly Instructions

Step 17

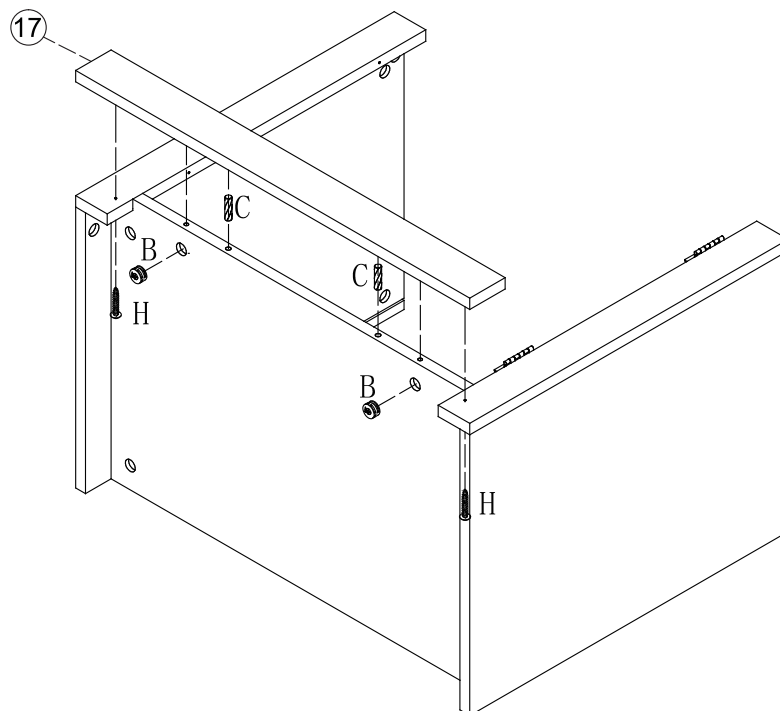




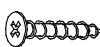
Step 18



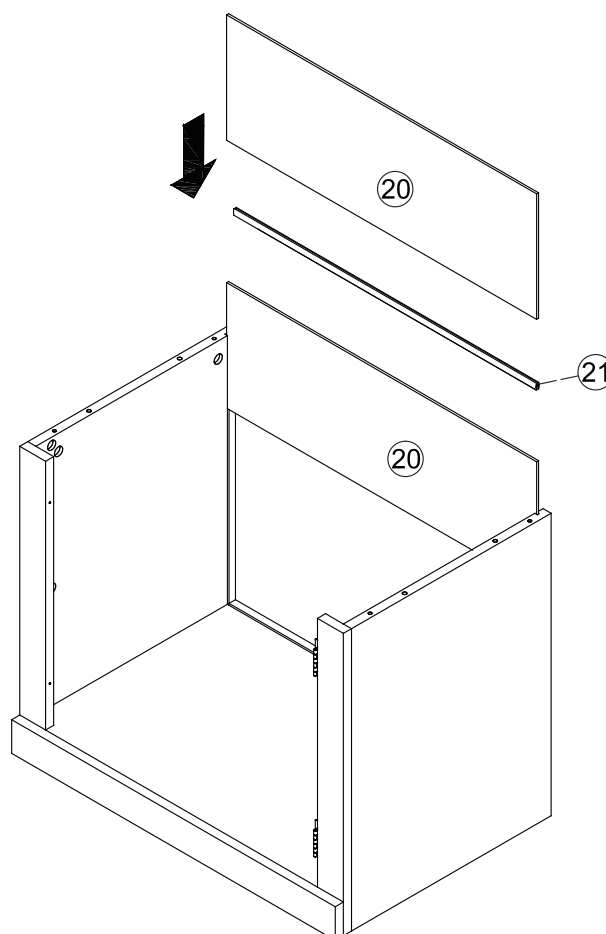
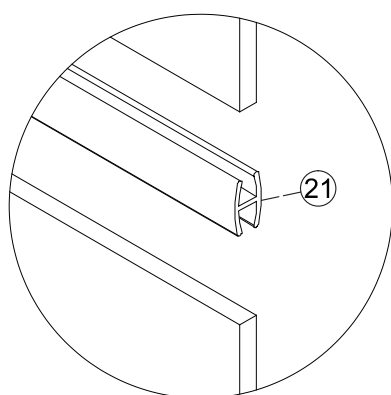
Assembly Instructions

Step 19



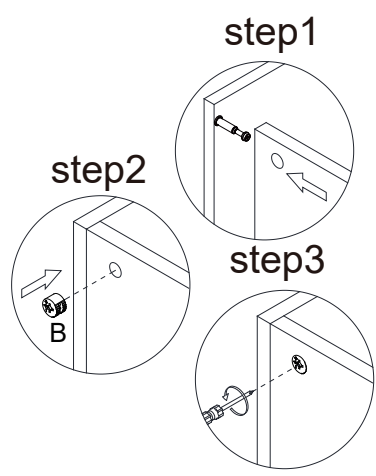
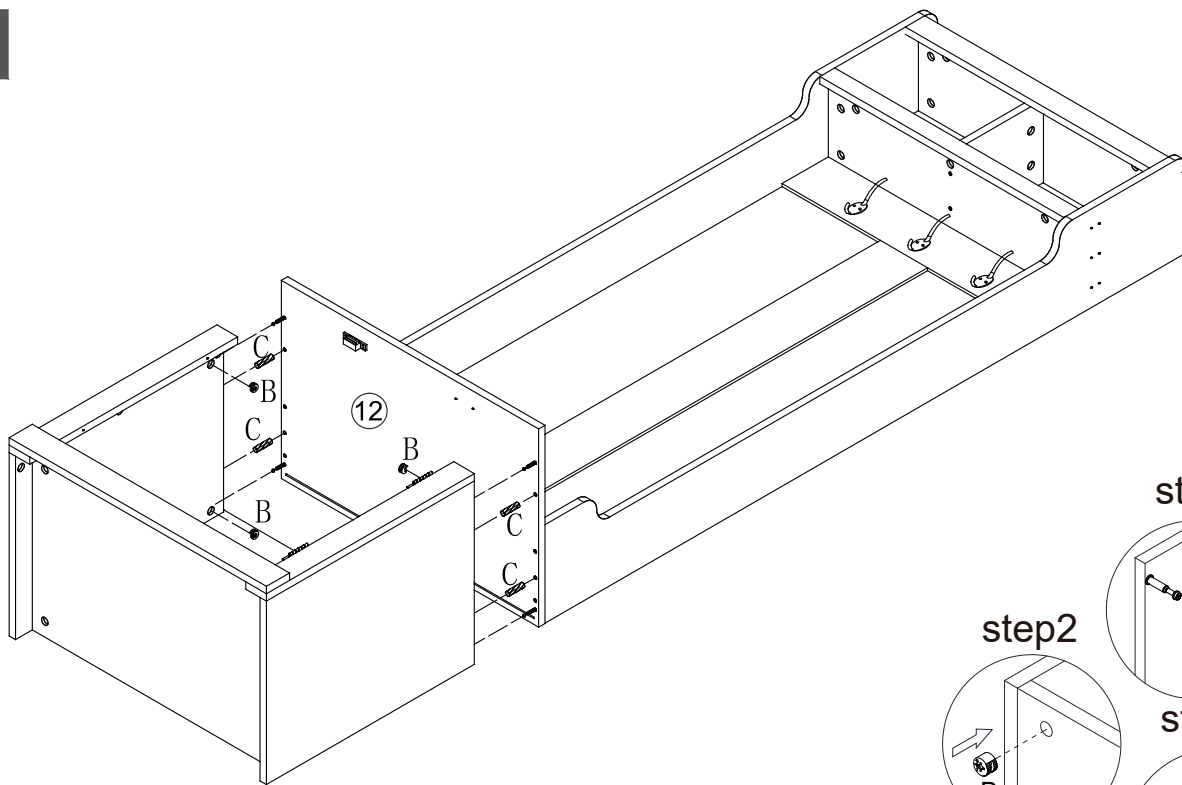
(B)  Cam lock x 2	(C)  Dowel x 2	(H)  4*25mm Screw x 2
--	---	--



Step 20



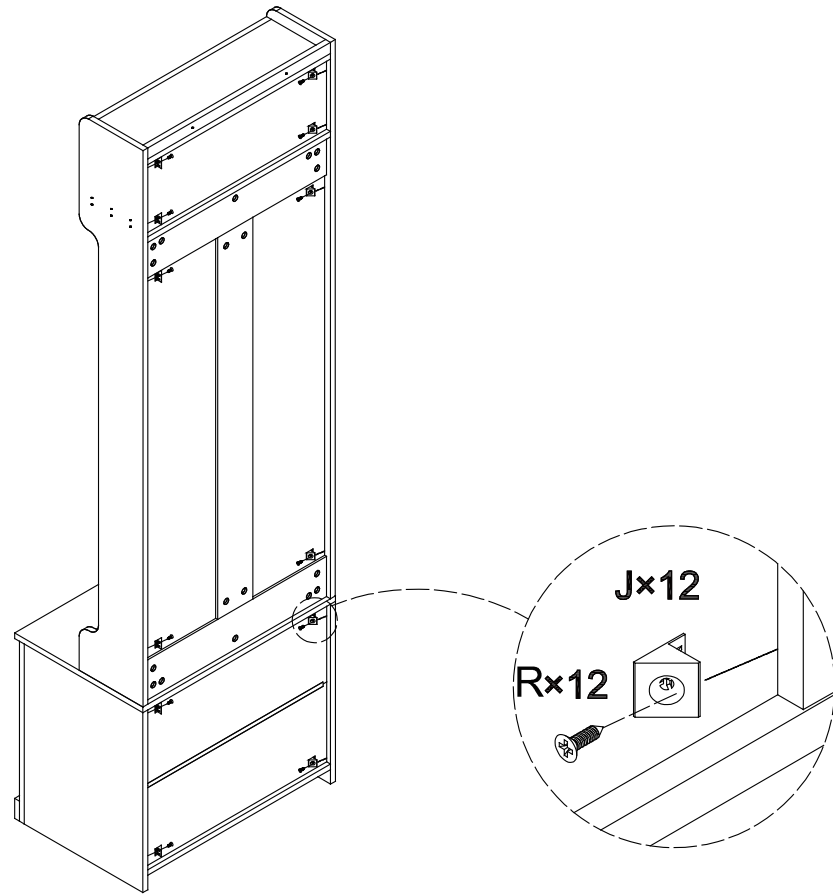
Assembly Instructions



Step 21



- | | |
|---|--|
| <p>B</p>  <p>Cam lock x 4</p> | <p>C</p>  <p>Dowel x 4</p> |
|---|--|

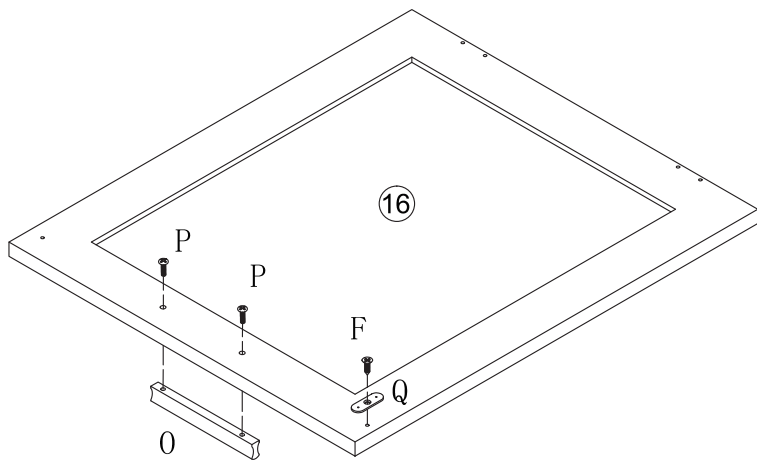
Step 22











- | | |
|---|---|
| <p>R</p>  <p>3 5*14mm Screw x12</p> | <p>J</p>  <p>Dowel x 12</p> |
|---|---|

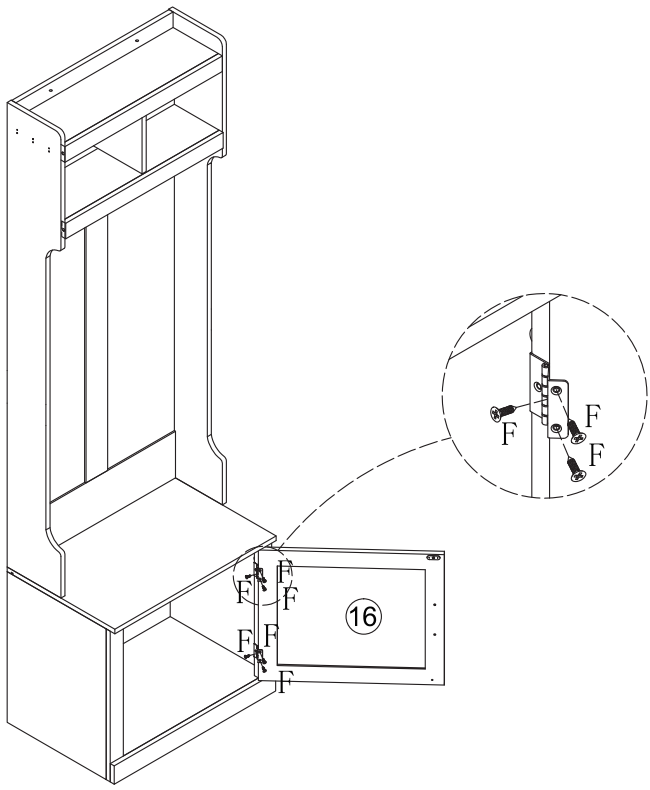
Assembly Instructions



Step 23



 	 	 	 
3 *12mm Screw x 1	x 1	x 2	x 1

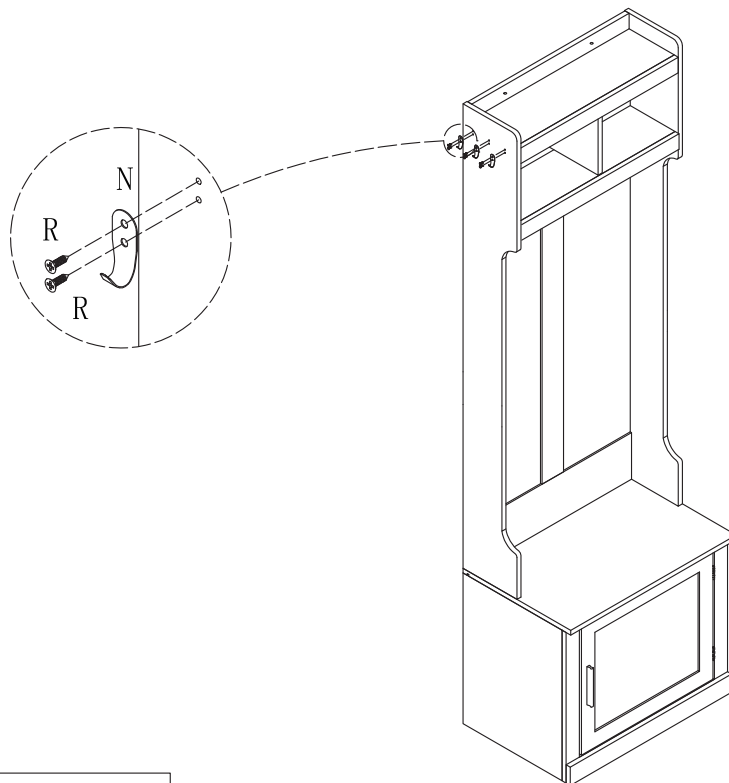
Step 24



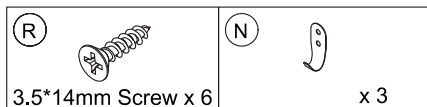
 
3 *12mm Screw x 6

Assembly Instructions

Step 25

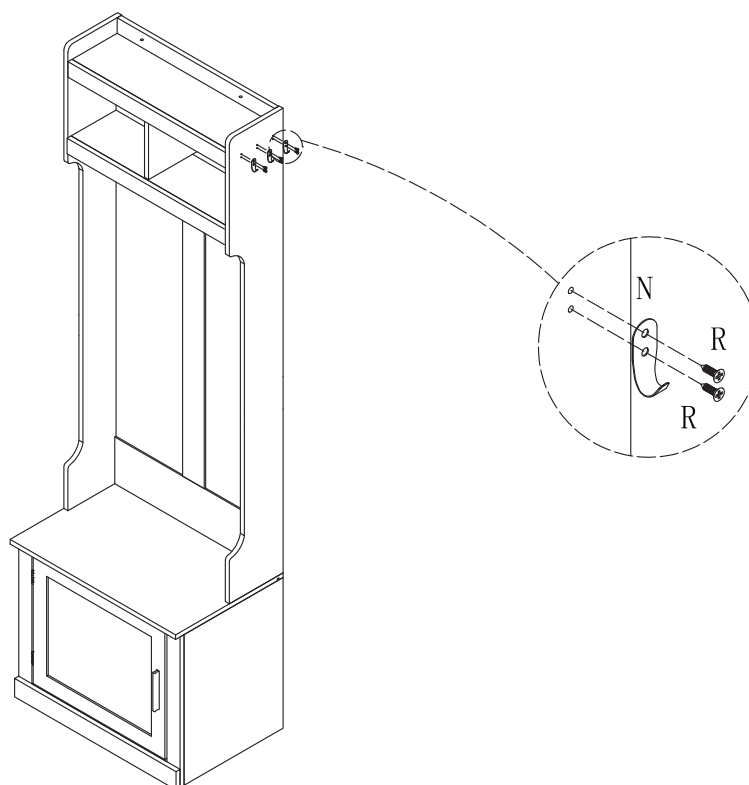


You can choose to install the hooks on the left or right side of the product



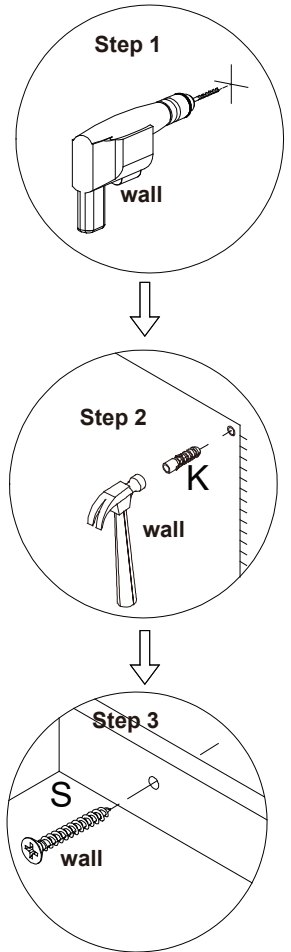
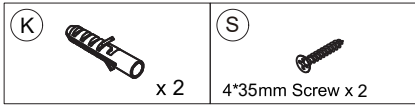
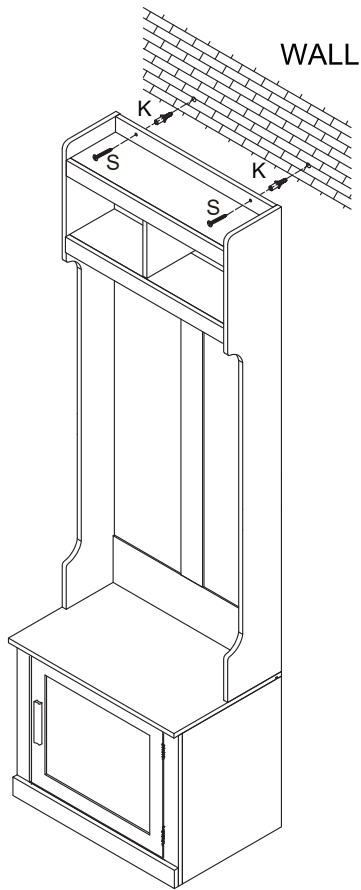
Step 26

The second installation method



Assembly Instructions

Step 27



Step 28

