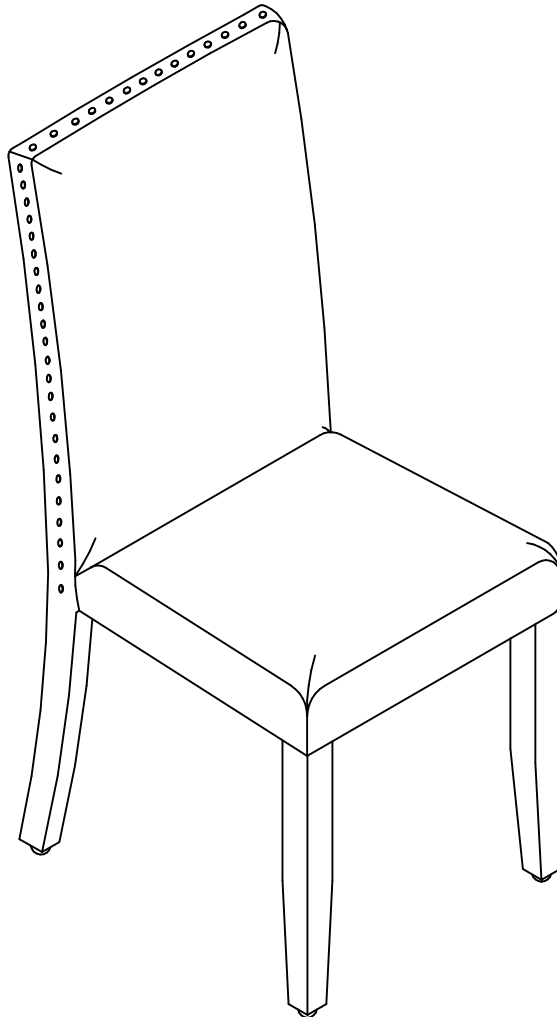


# ASSEMBLY INSTRUCTION

MODEL:#SPH00040  
#SPH00041

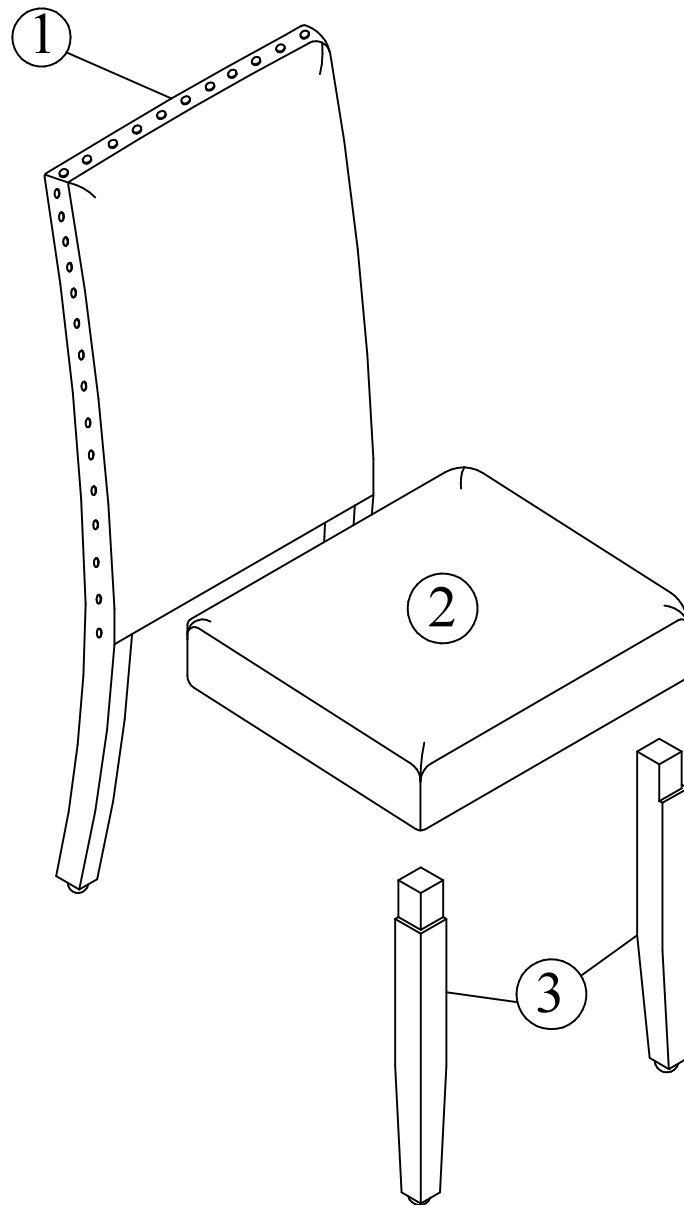
**\*\*\*Do not fully tighten screws until fully assembled\*\*\***








## Attention:

\*\*\*Some number parts listed on the instruction sheet may not be in parts bag as they may already be assembled.  
Carefully check parts and packing materials prior to ordering replacements.

# COMPONENT PARTS

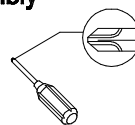


## Hardware List

A		Ø1/4"*50mm	Bolt	5 pcs
B		Ø1/4"*75mm	Bolt	4 pcs
C		Ø1/4"	Flat washer	9 pcs
D		Ø1/4"	Spring washer	9 pcs
E		M4	Allen key	1 pc






Philips head screwdriver required for assembly

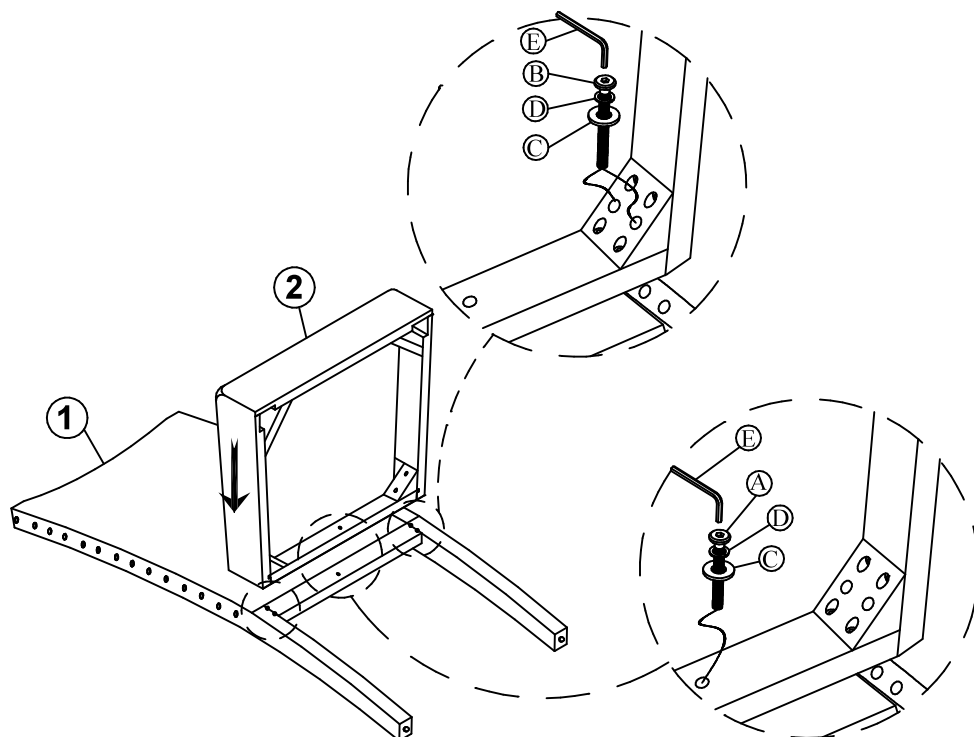
(not included)







*The hardware quantities listed above are required for proper assembly.  
Some extra hardware may also have been included.*

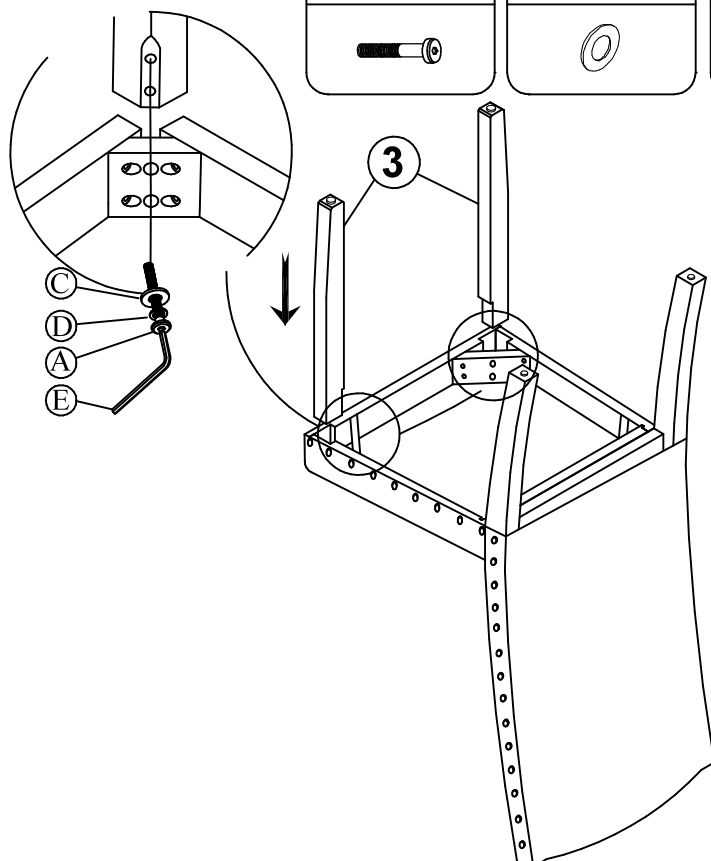
# STEP 1

A*1	B*4	C*5	D*5	E*1
				

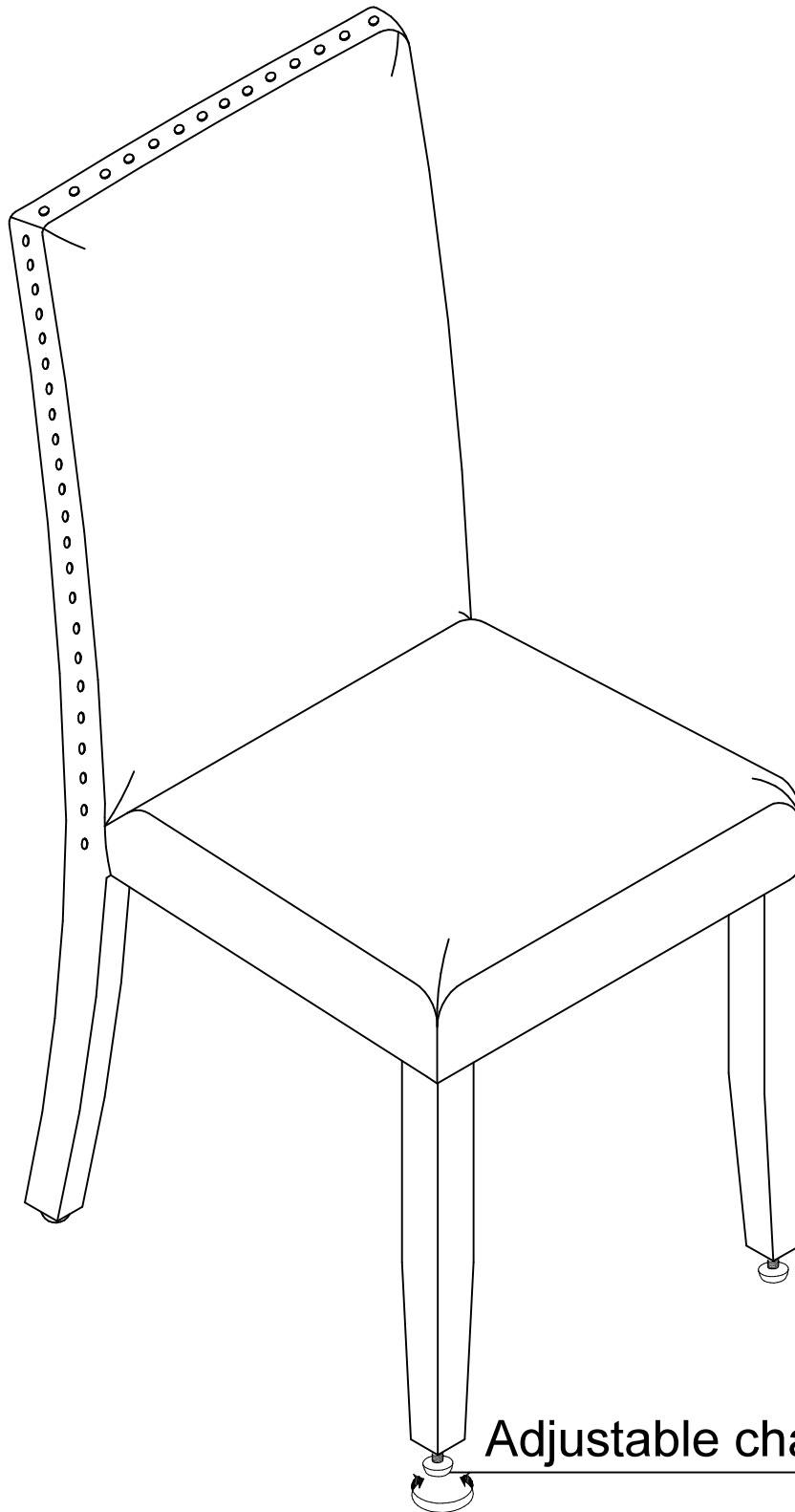


# STEP 2

A*4	C*4	D*4	E*1
			



# STEP 3



Adjustable chair leg

## Final Assembly