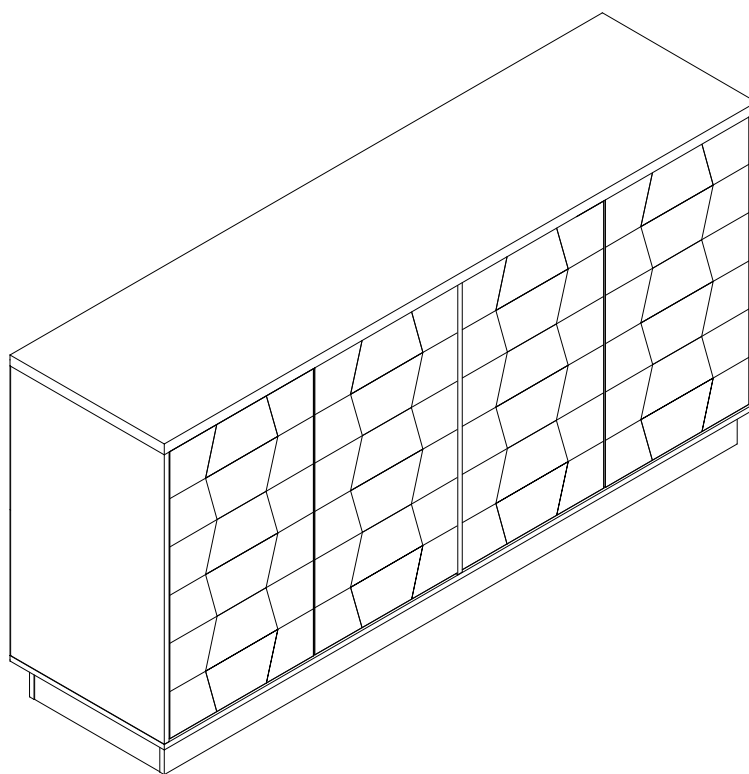


ASSEMBLY INSTRUCTION

Thank you for purchasing the quality product. Be sure to check all packing material carefully for small parts which may have come loose inside the carton during shipment. Separate, identify and count all parts and metal hardware. Compare with all parts list to be sure all parts are present. If any part(s) are missing or damaged, please contact your local furniture dealer. For efficient and speedy service, please indicate the model number and code letter of part(s) needed.

*****Do not fully tighten screws until fully assembled*****



THANK YOU FOR PURCHASING OUR PRODUCTS. FOR IMMEDIATE HELP WITH ASSEMBLY OR PRODUCT INFORMATION EMAIL US

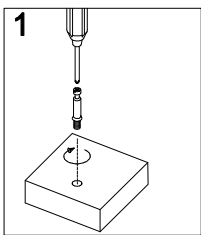
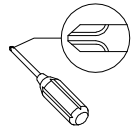
Attention:

***Some number parts listed on the instruction sheet may not be in parts bag as they may already be assembled. Carefully check parts and packing materials prior to ordering replacements.

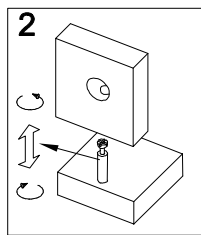
General Assembly Guidelines

- I. Ensure that all parts and hardware are available before beginning assembly.
- II. Follow each step carefully to ensure the proper assembly of this product.
- III. The three main types of hardware used to assemble this product are: wood dowels, screws and bolts.
- IV. A Phillips head screwdriver is required for the assembly of this product.

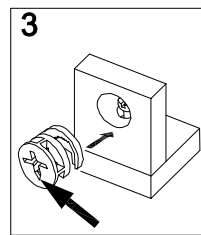
V. Cam bolt and Cam lock Assembly instruction.



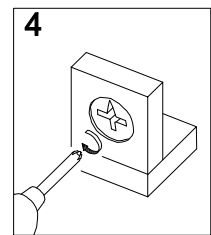
1
Cam bolt
vertical installation



2
Cam bolt is
adjustable

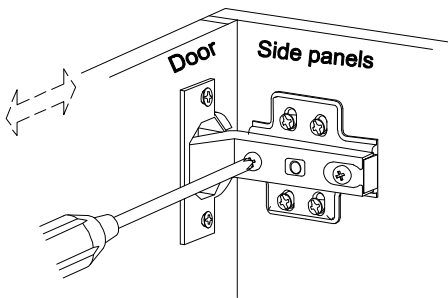


3
Cam lock
the arrow is towards
the Cam bolt

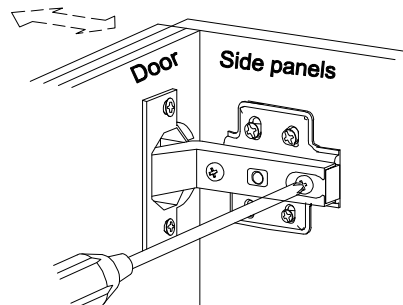


4
Ensure locking

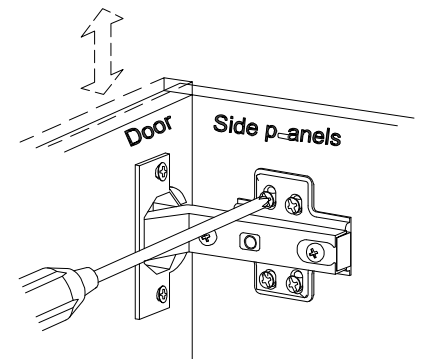
VI. Concealed hinges are three-way adjustable.



Horizontal
by screw adjustment



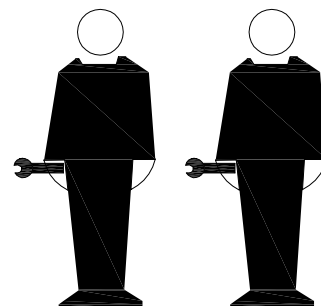
In-and-Out
by loosening the hinge-arm
mounting screw or via cam
adjustment



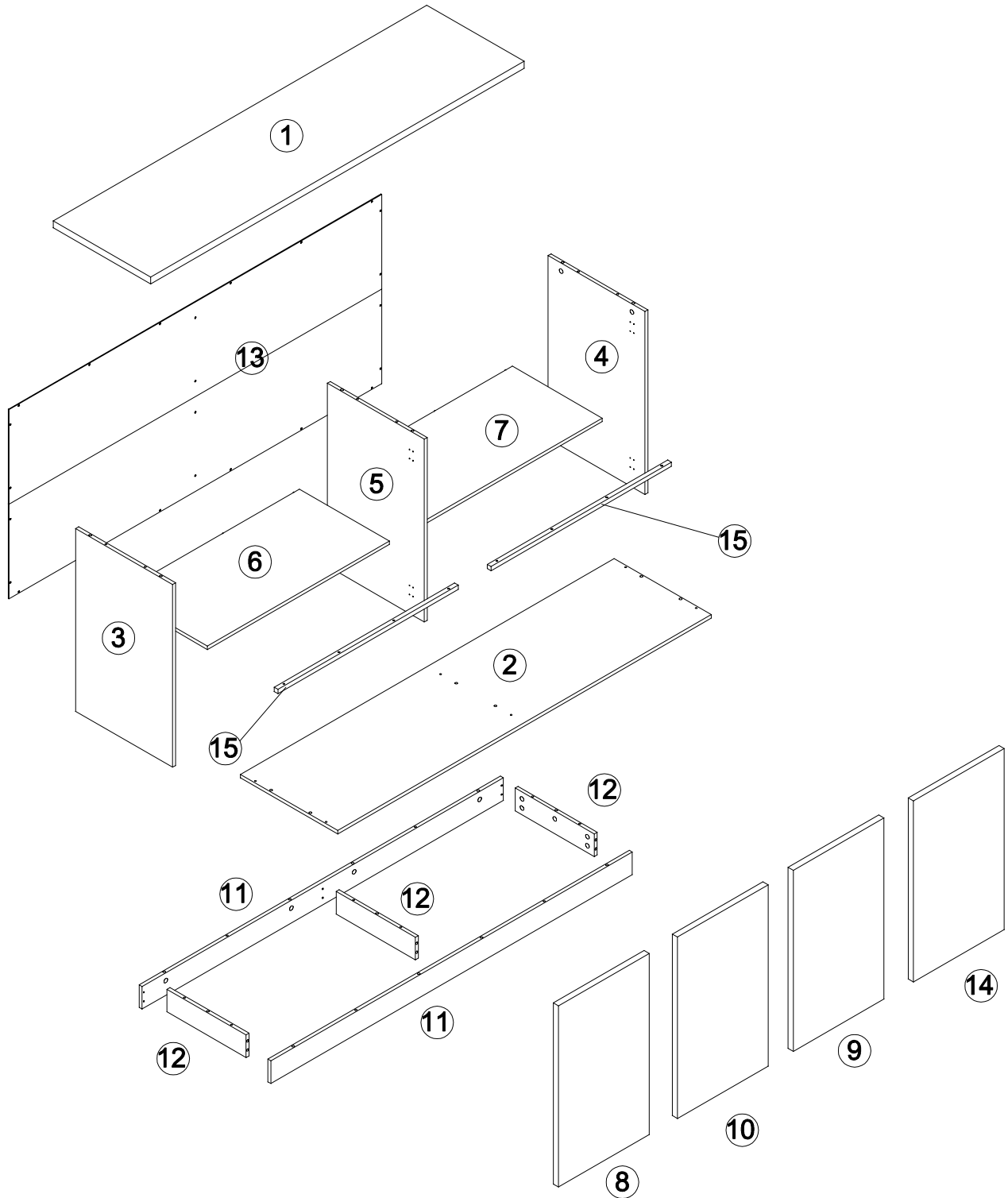
Vertical
Via slots in the mounting
plate or via cam adjustment

VII. Two people are recommended for ease in the assembly of this product.


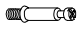




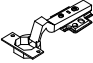
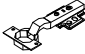





VIII. Do not step on.



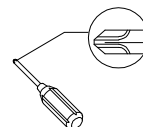
COMPONENT PARTS



Hardware List

A		Ø6x30mm	Wooden dowel	22 pcs
B		Ø6x35mm	Cam bolt	29 pcs
C		Ø15x10mm	Cam lock	29 pcs
D		Ø5x40mm	Screw	6 pcs
E			Cabinet Magnet Latch	4 pcs
F		Ø3.5x12mm	Screw	12 pcs
G			Hinge	4 pcs
H			Hinge	4 pcs
I		Ø4x12mm	Screw	48 pcs
J		Ø4x25mm	Screw	8 pcs
K			Shelf Support	8 pcs
L			Anti-tipping Device	2 pcs
M		Ø3.5x12mm	Screw	24 pcs

Philips head screwdriver required for assembly
(not included)

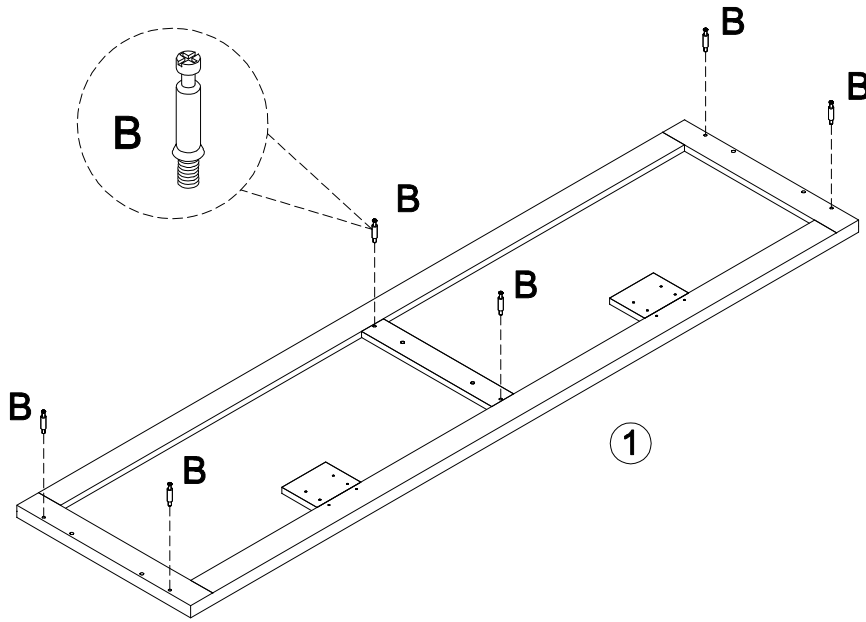


*The hardware quantities listed above are required for proper assembly.
Some extra hardware may also have been included.*

Step 1

B x 6


Ø6x35mm



Step 2

E x

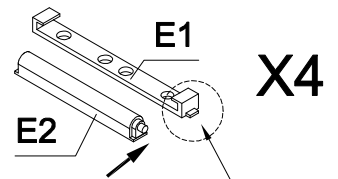
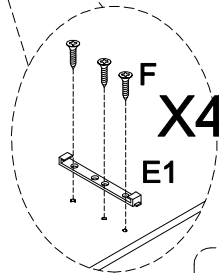
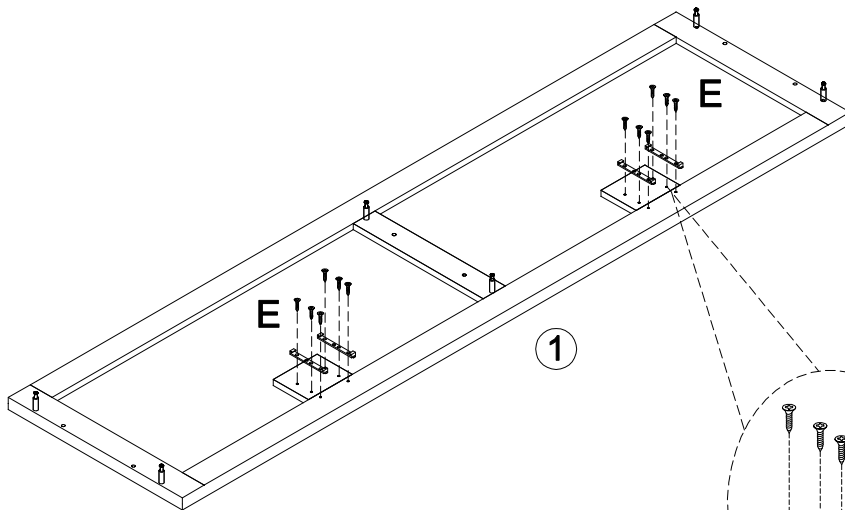
4

E1

E2

F x 12




Ø3.5x12mm

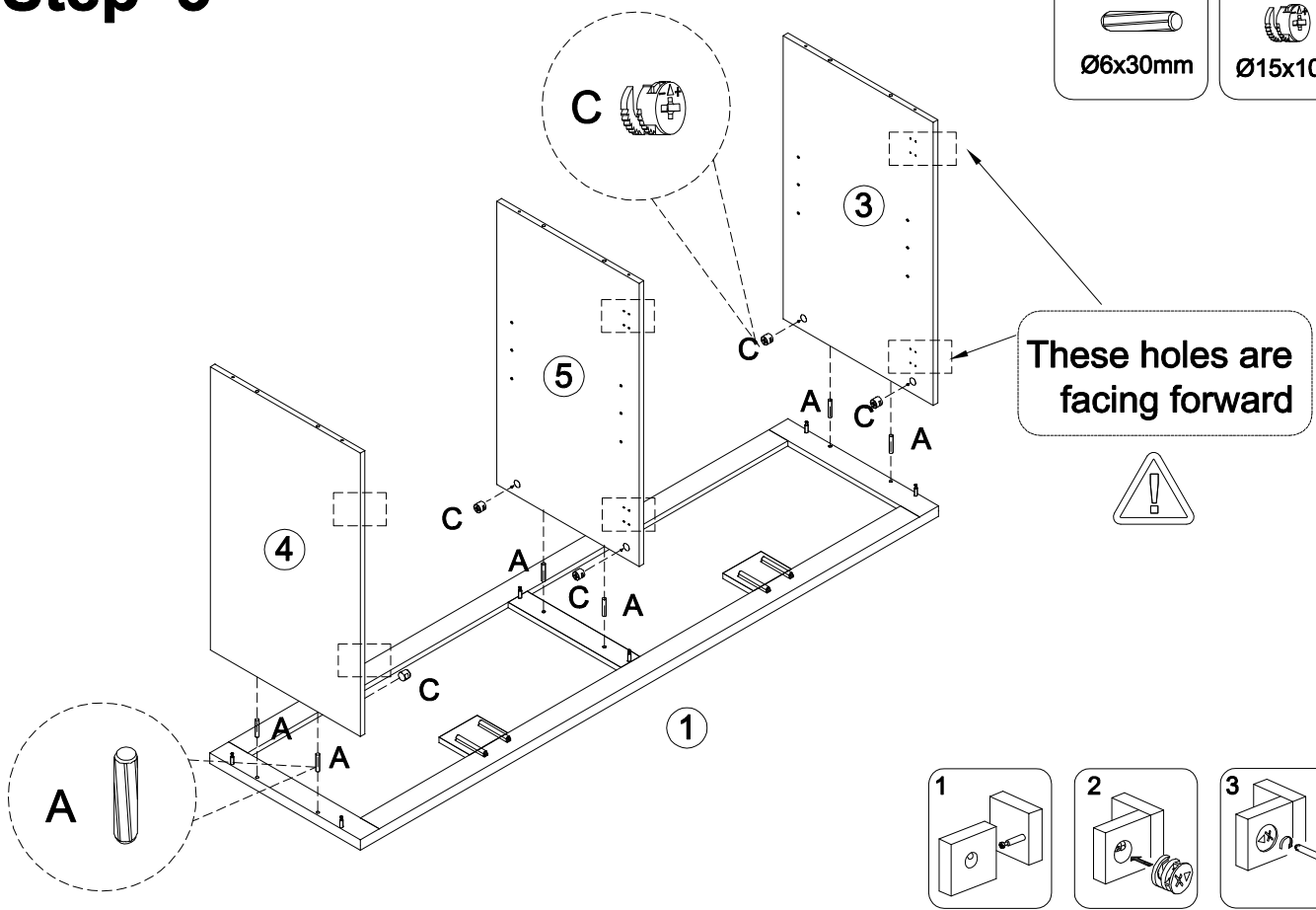


This side faces forward





Step 3

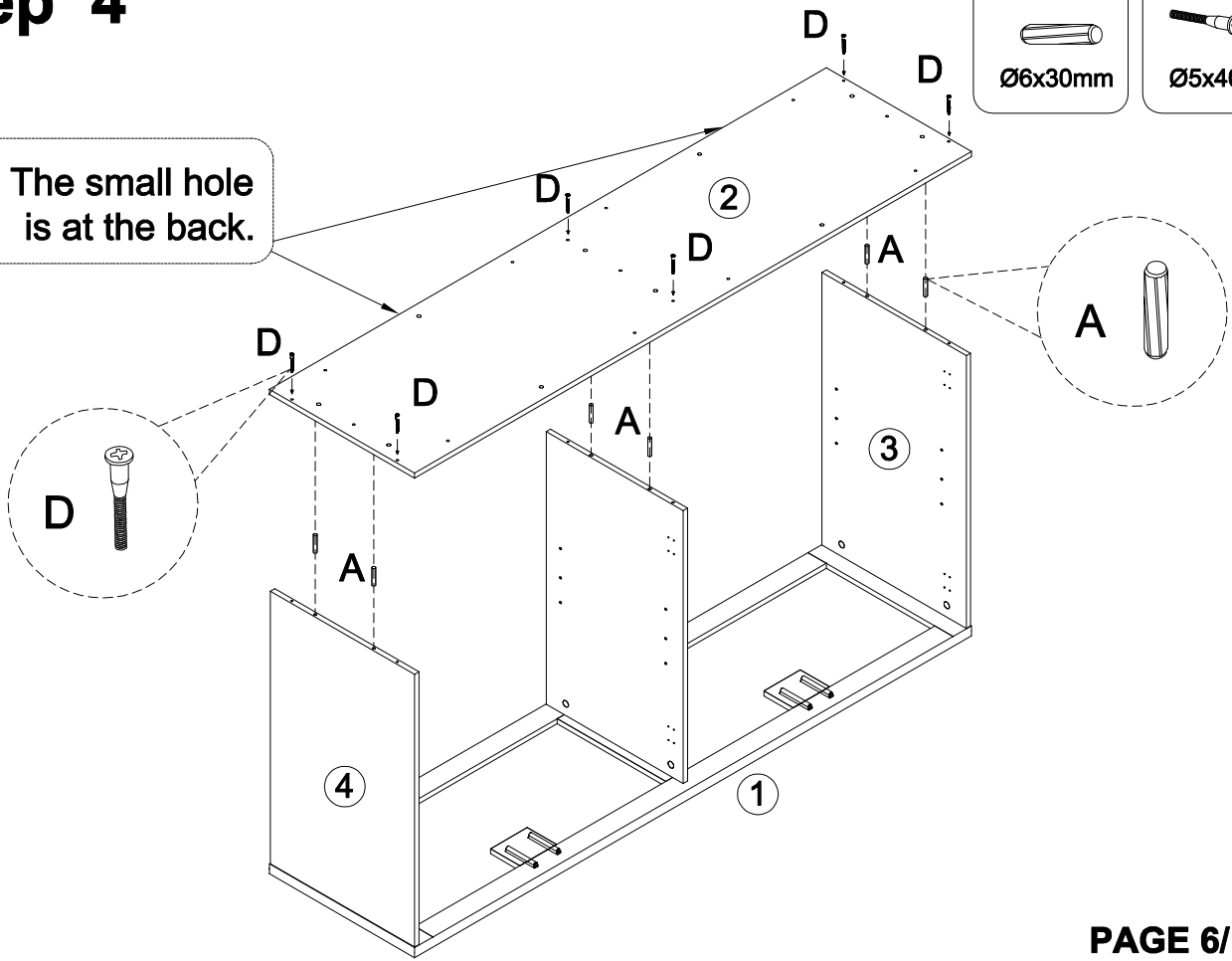
A x 6	C x 6
	
Ø6x30mm	Ø15x10mm



Step 4

A x 6	D x 6
	
Ø6x30mm	Ø5x40mm

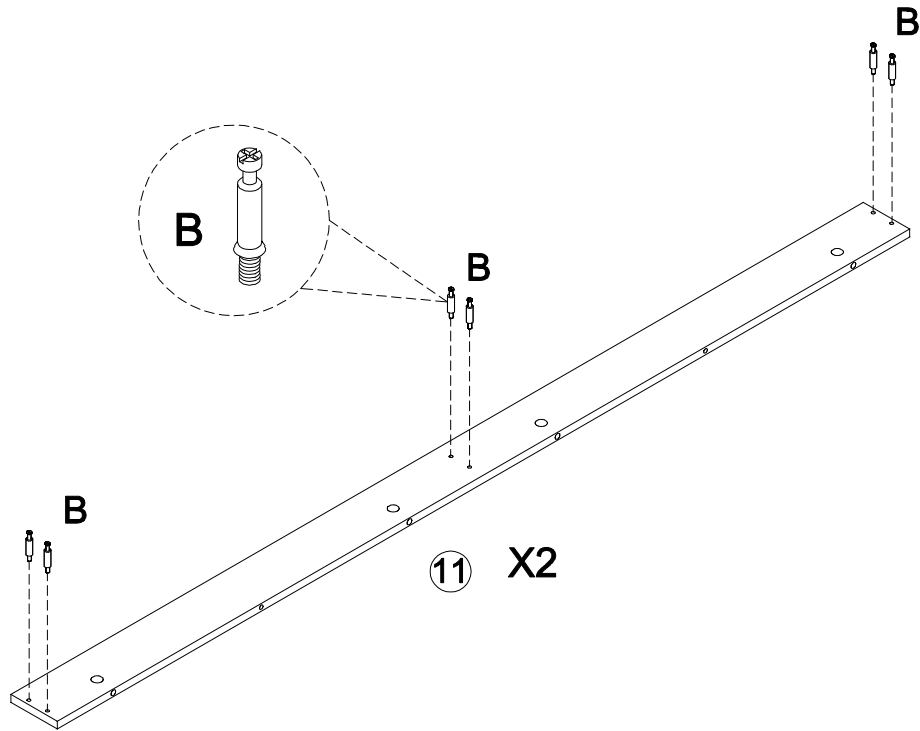
The small hole is at the back.



Step 5

B x 12

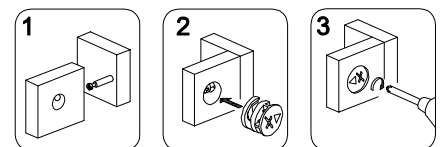
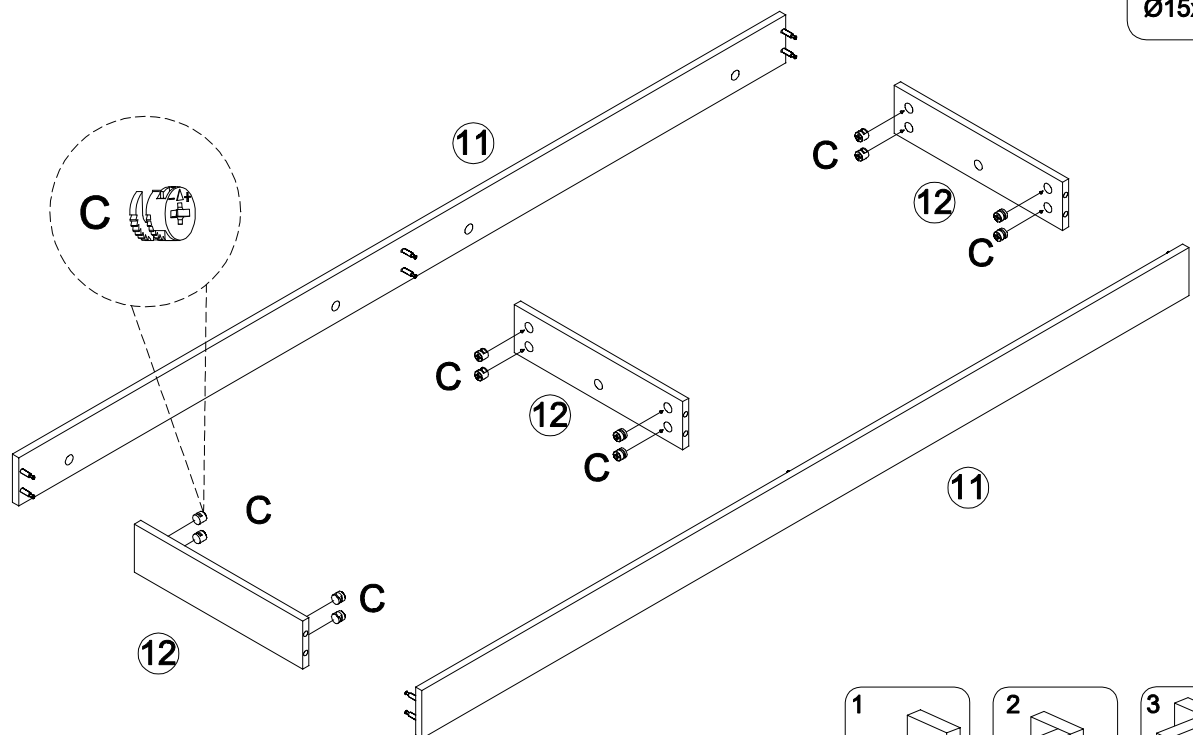
Ø6x35mm



Step 6

C x 12

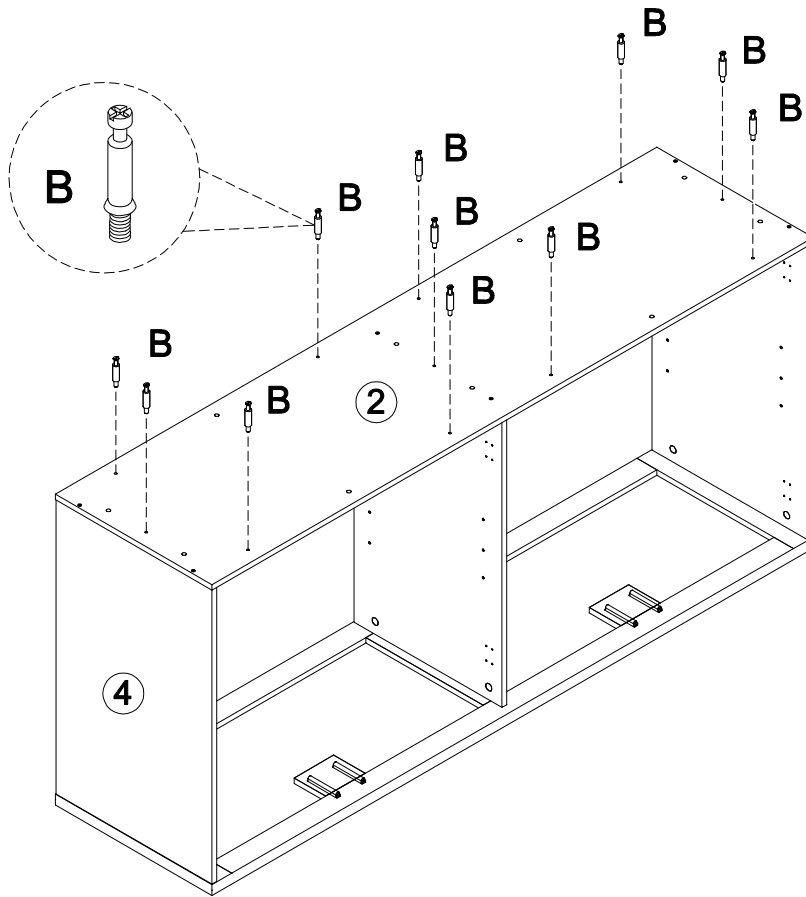
Ø15x10mm



Step 7

B x 11


Ø6x35mm



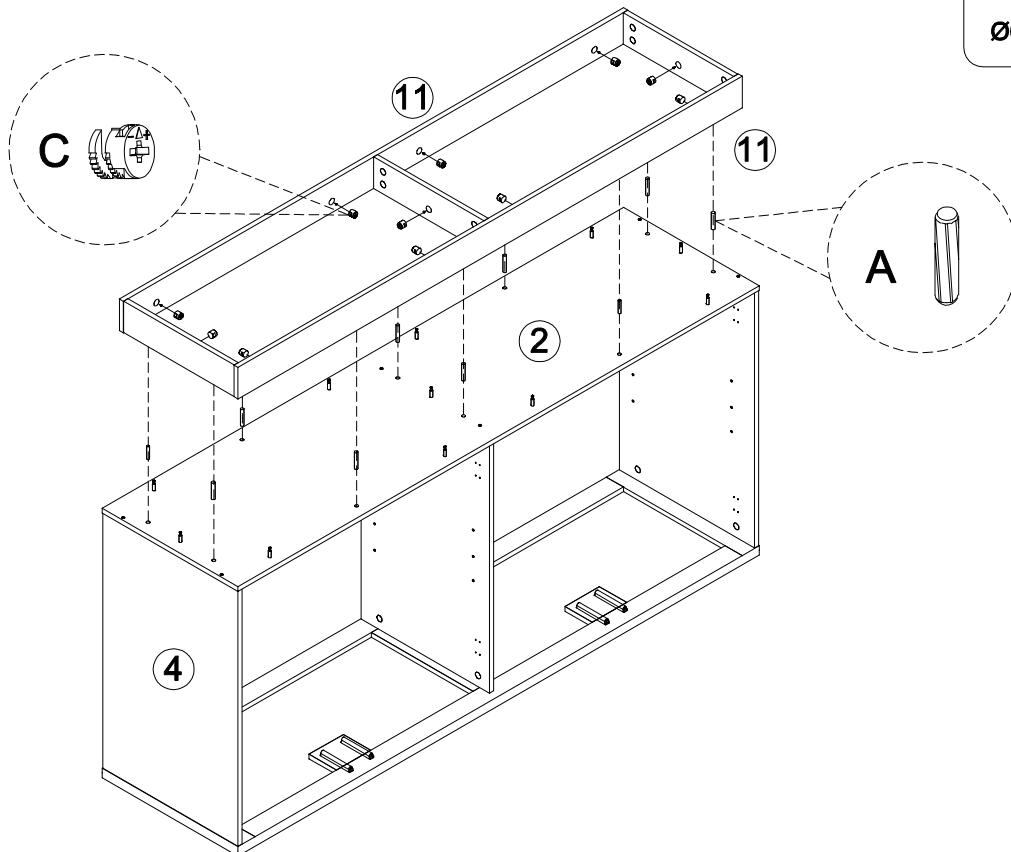
Step 8

A x 10


Ø6x30mm

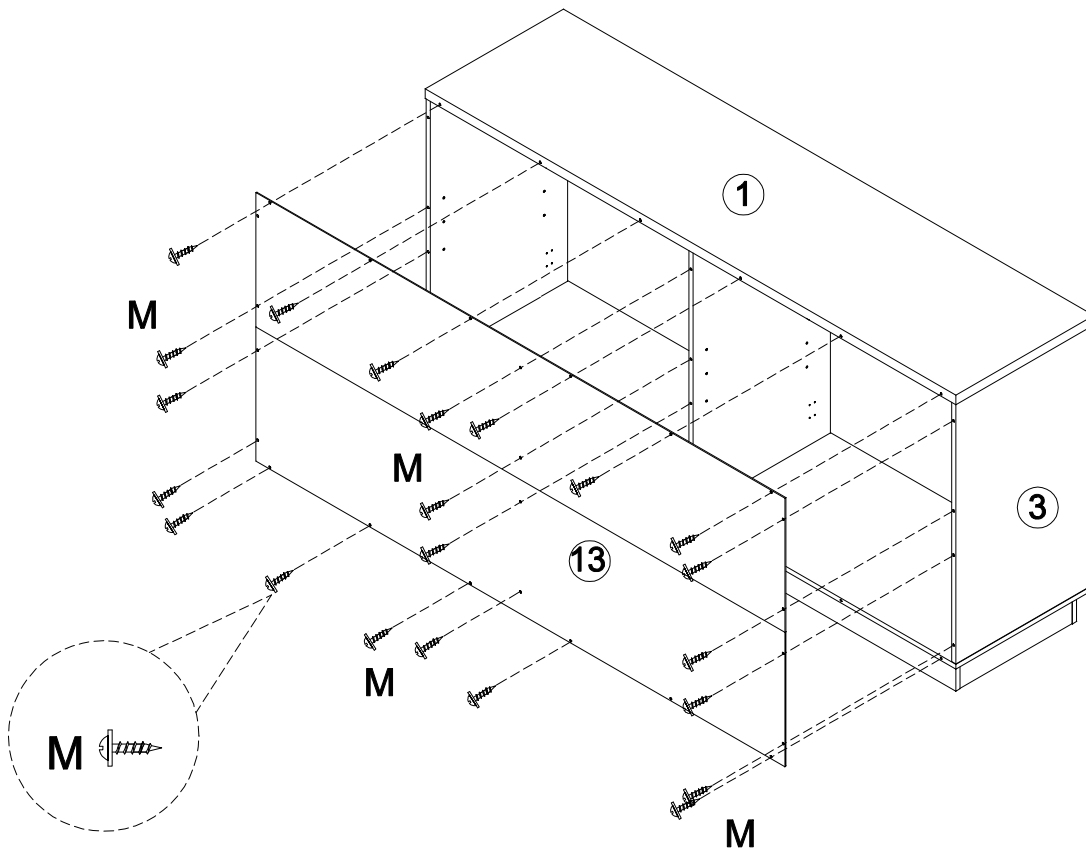
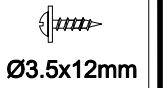
C x 11


Ø15x10mm



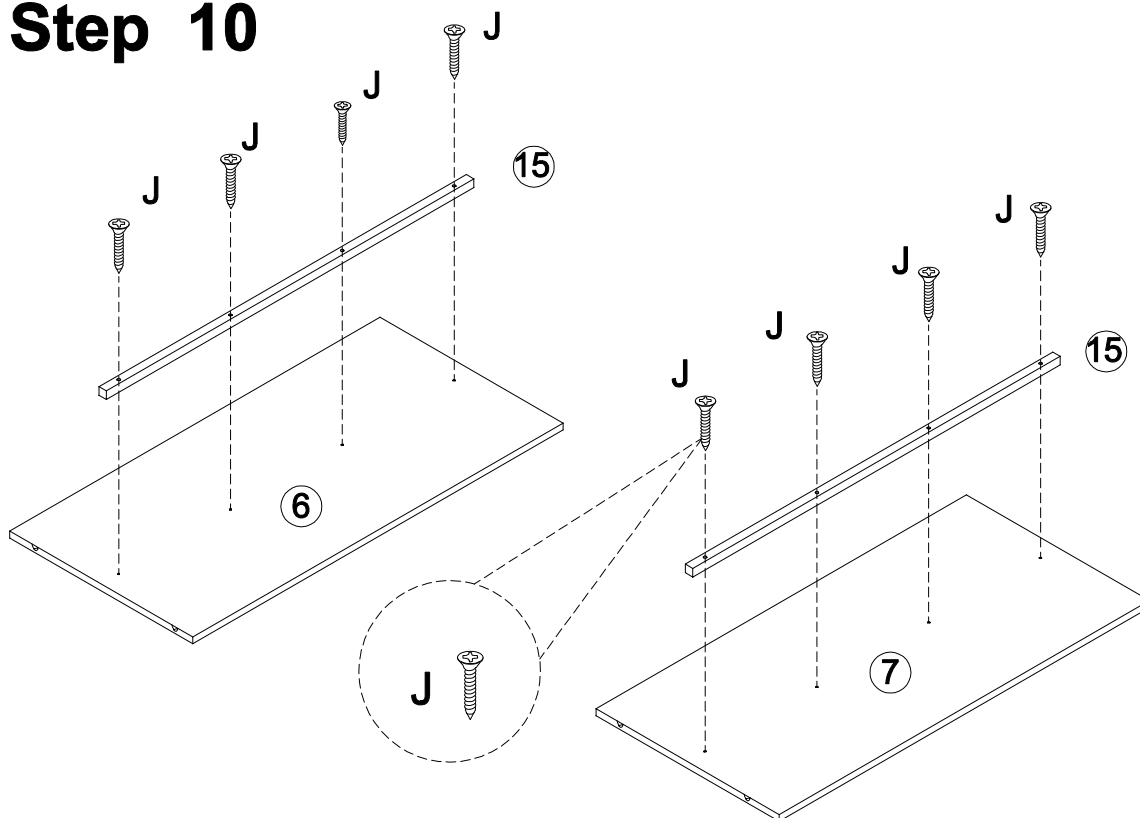
Step 9

M x 24



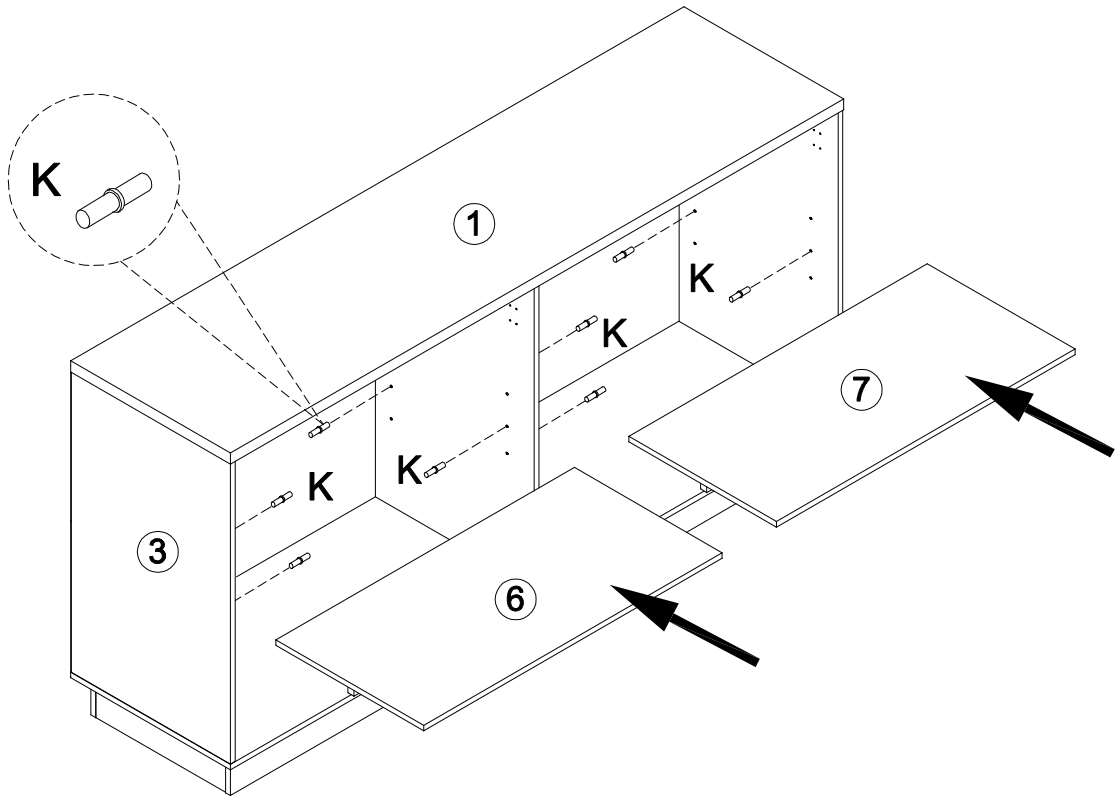
Step 10

J x 8



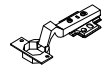
Step 11

K x 8

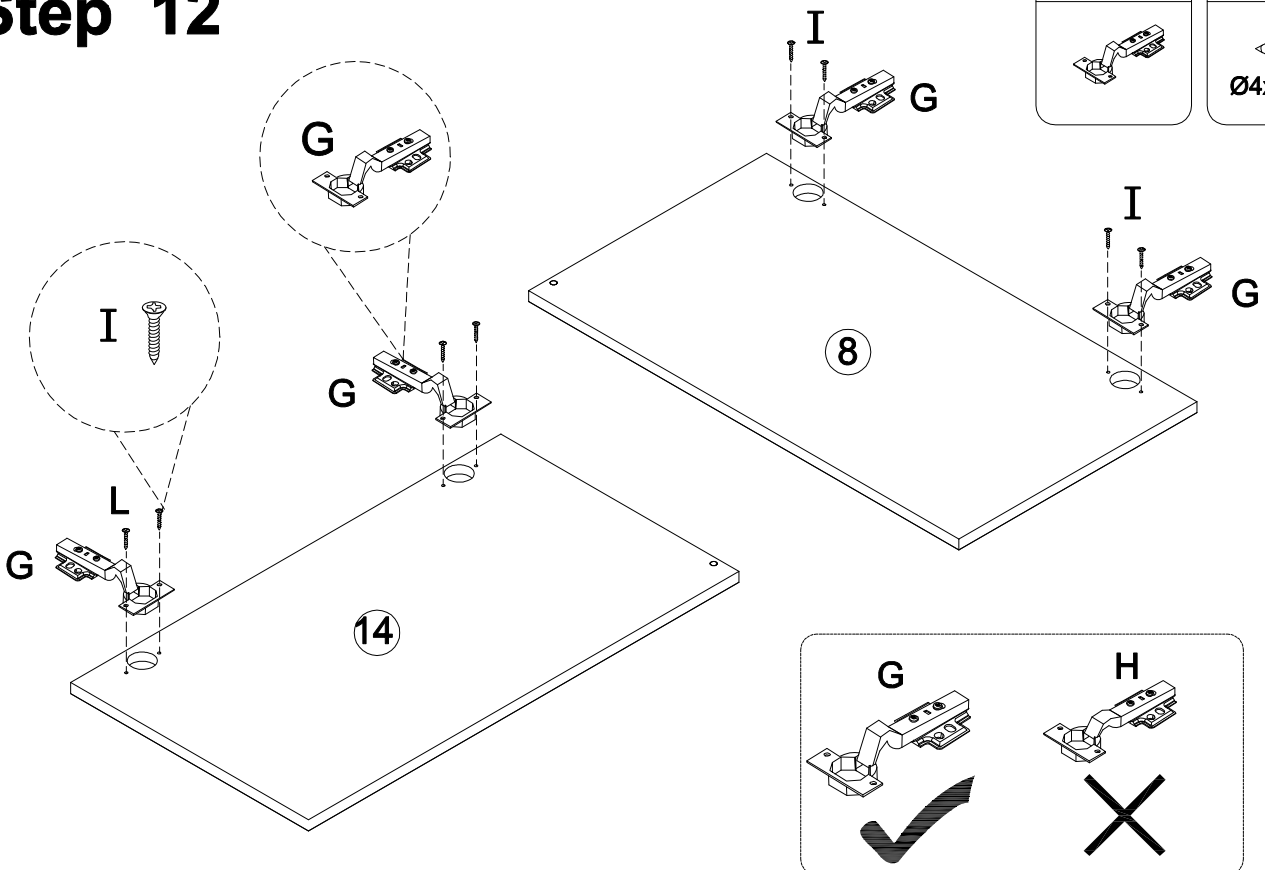


Step 12

G x 4

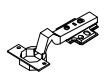


I x 8




Step 13

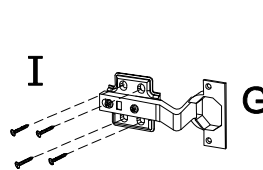
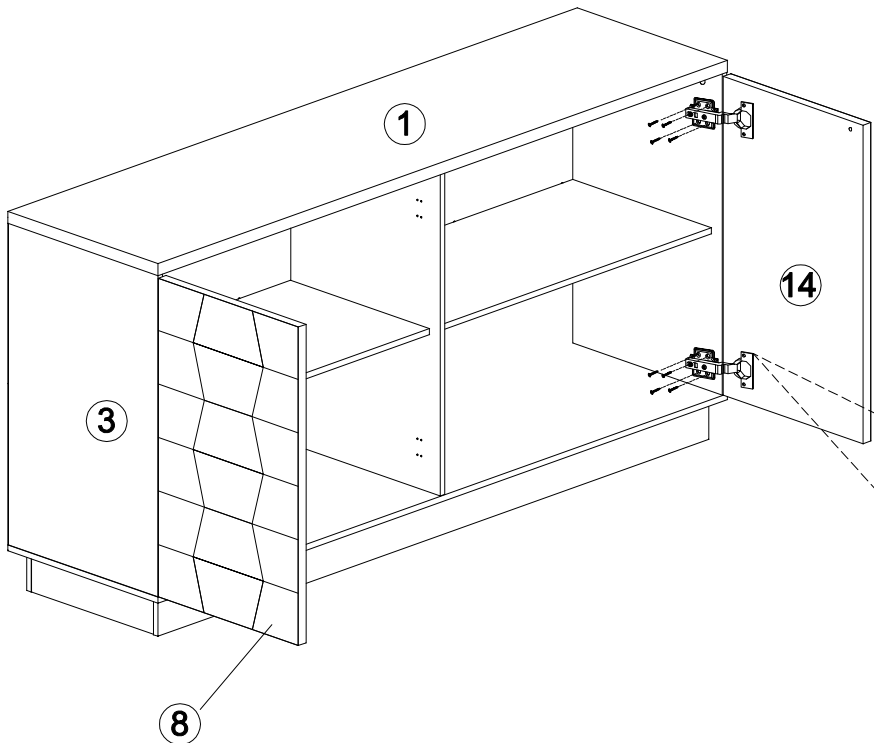
G x 4



I x 16



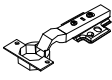
Ø4x12mm




x4

Step 14

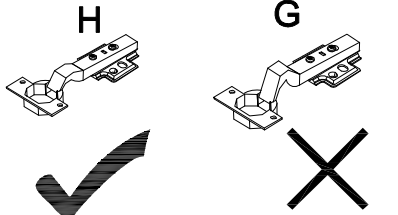
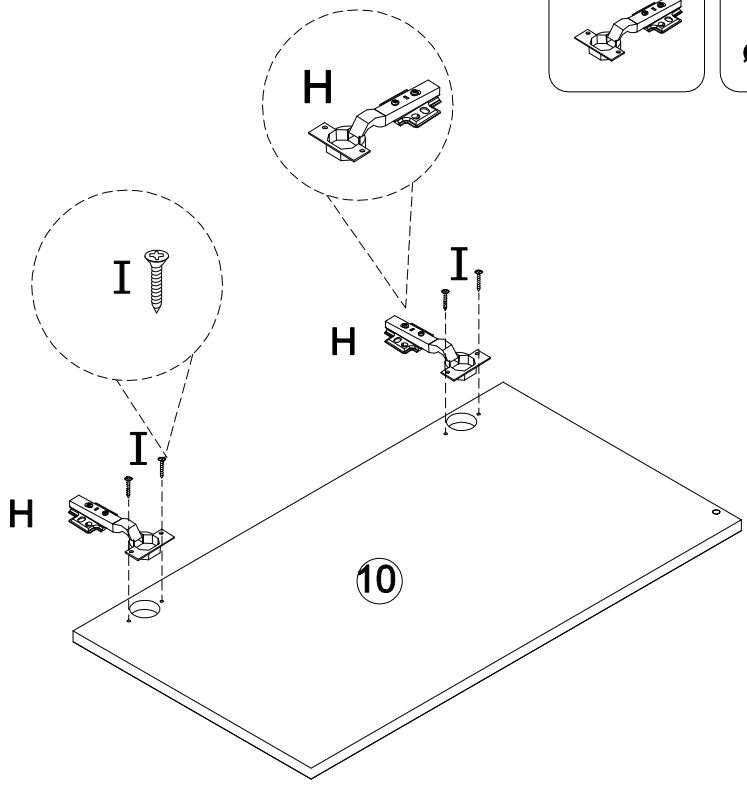
H x 2



I x 4

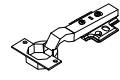


Ø4x12mm

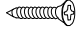


Step 15

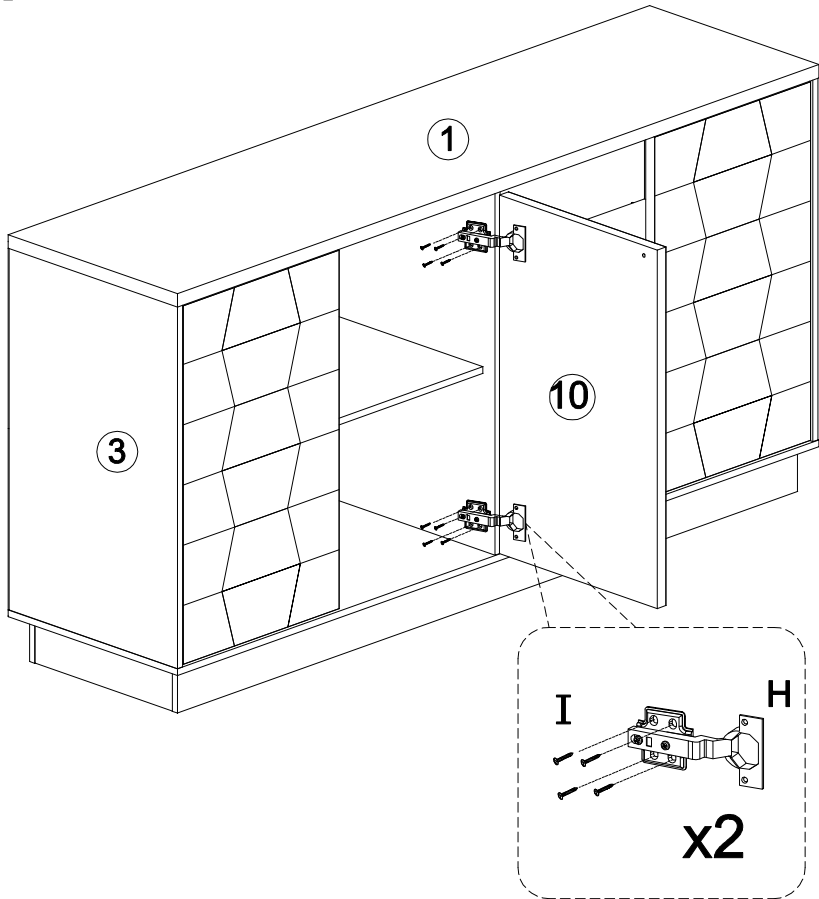
H x 2



I x 8

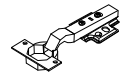


Ø4x12mm



Step 16

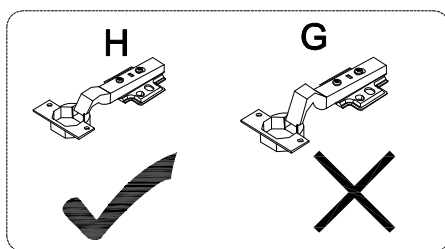
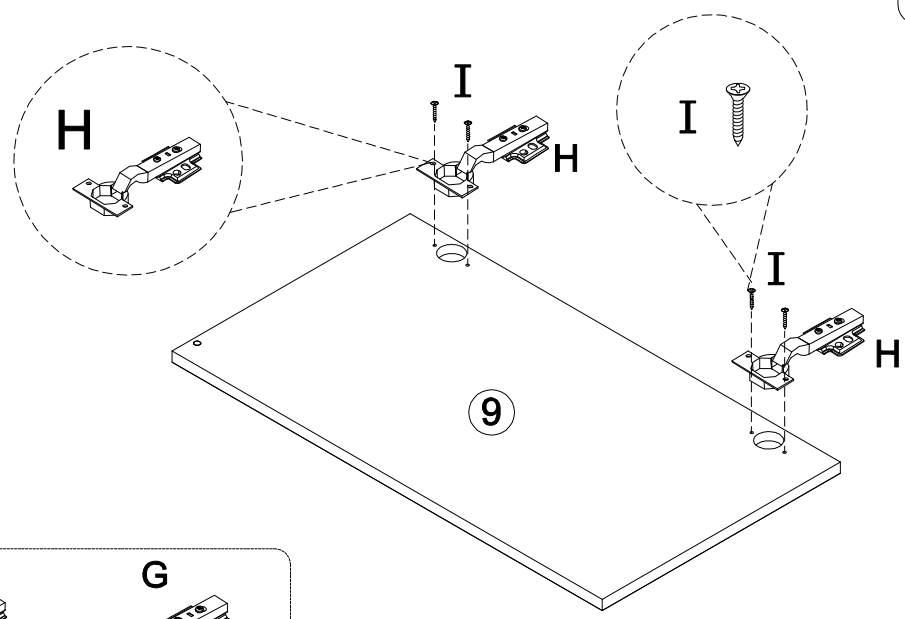
H x 2



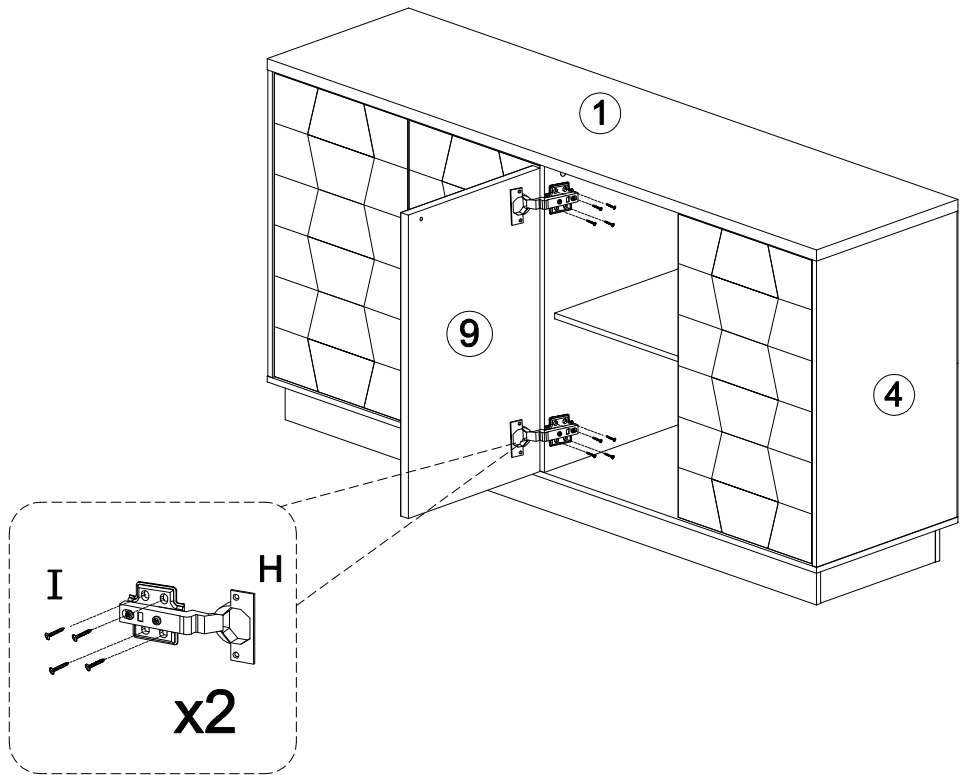
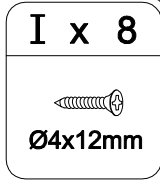
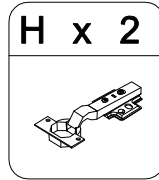
I x 4



Ø4x12mm

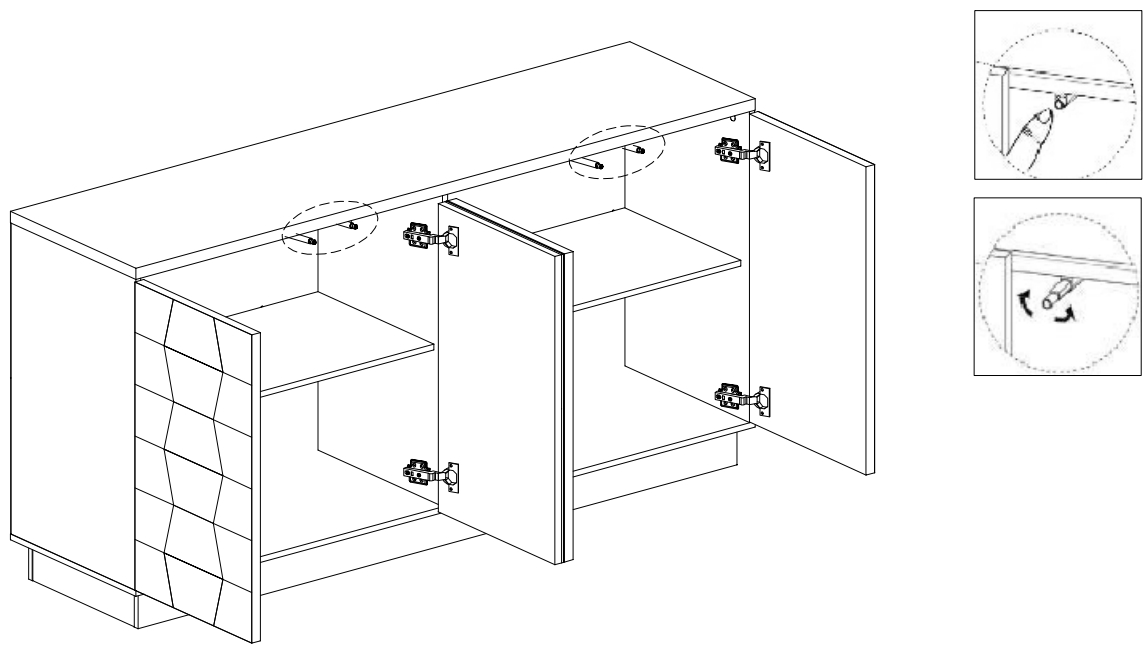


Step 17

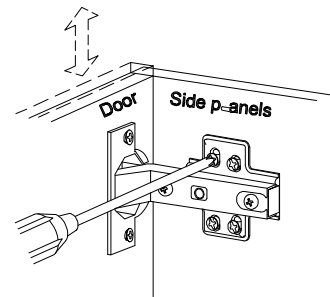
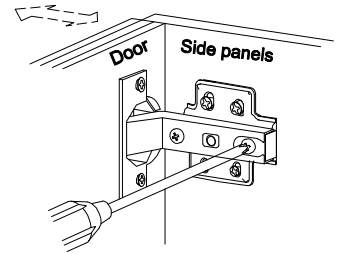
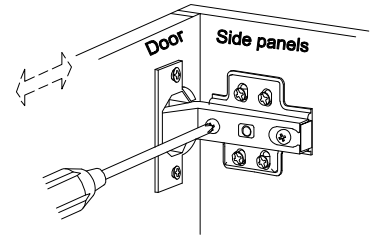
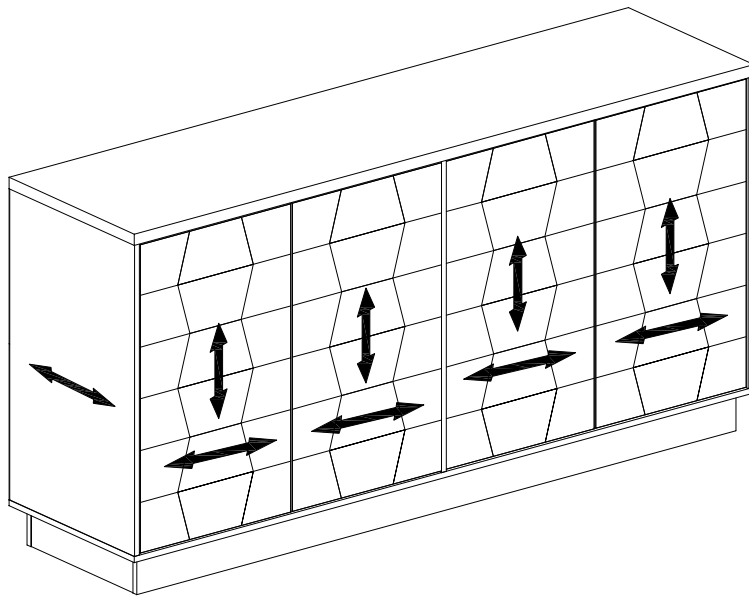


Step 18

You can make gap adjustment when doors does not open correctly or smoothly by pop out the ejector pin and roate it out to the proper length.



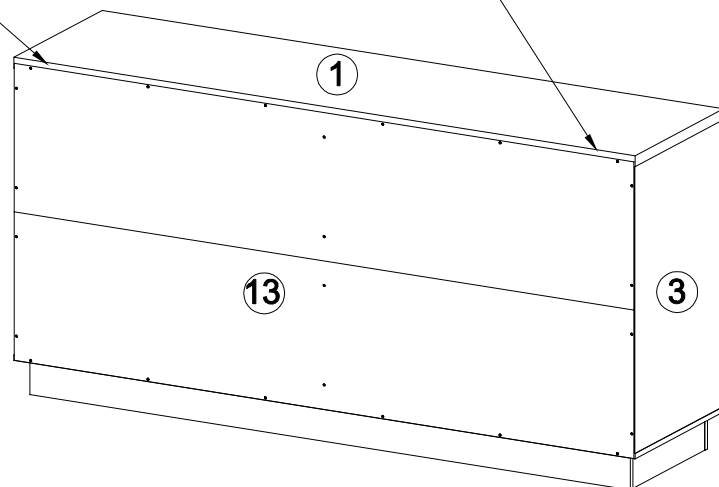
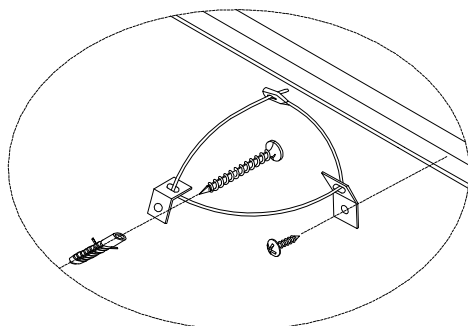
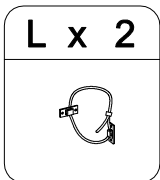
Step 19



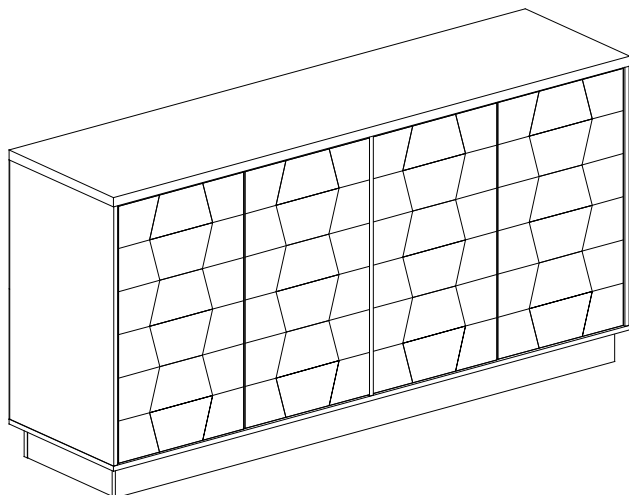
Step 20

For Assemble
Anti Tipping
hardware

For Assemble
Anti Tipping
hardware



Step 21



WARNING



Children have died from furniture tipover. To reduce the risk of furniture tipover:

- **ALWAYS** install tipover restraint provided.
- **NEVER** allow children to stand, climb or hang on drawers, doors, or shelves.