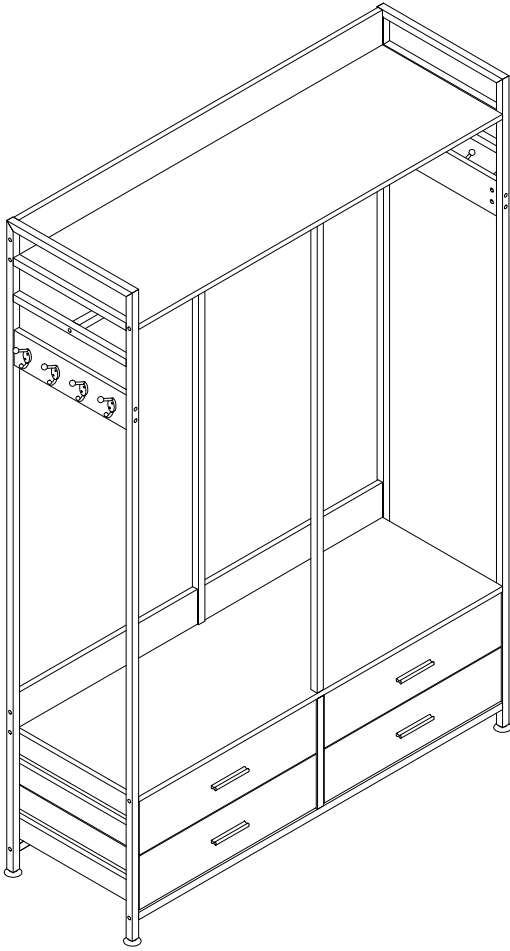
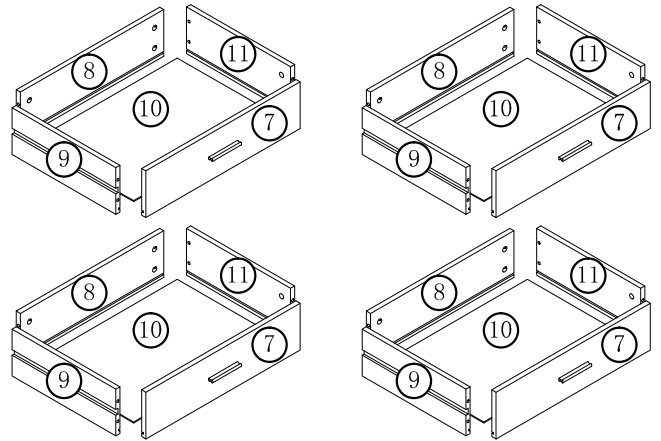
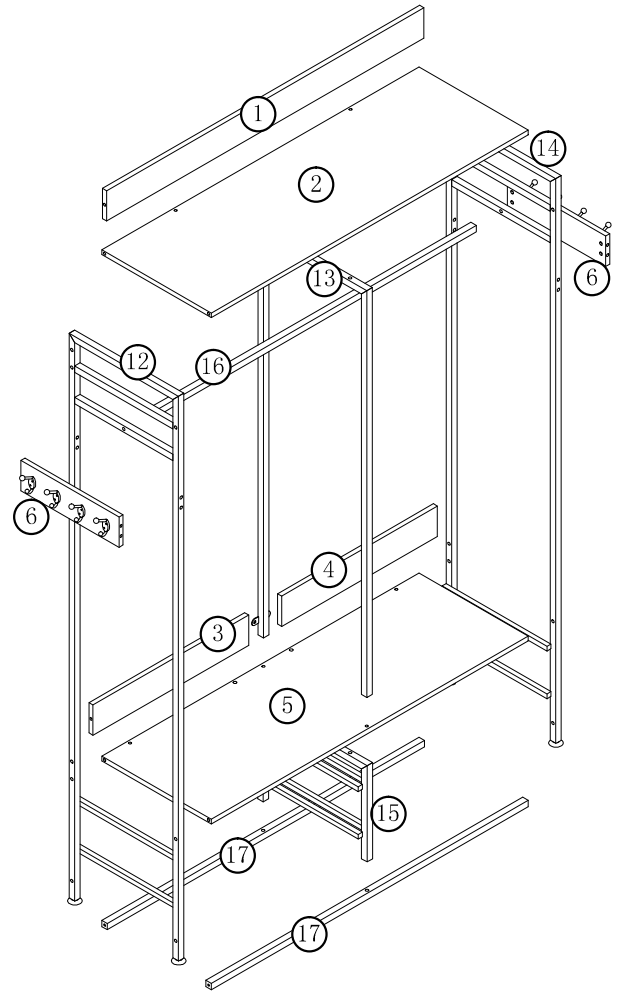






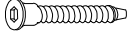

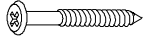








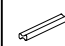






ASSEMBLY INSTRUCTION



Notes: Don't tighten screws completely at first, just in case parts were assembled wrong and need disassembled. Tighten screws at last when all parts are put together.

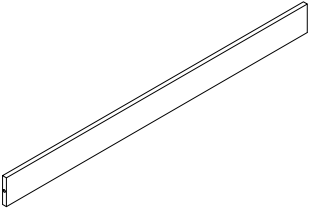
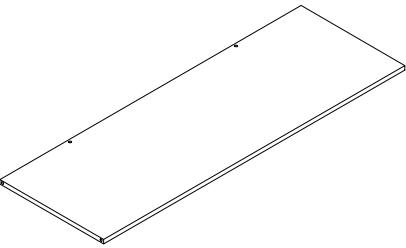
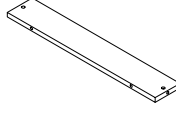
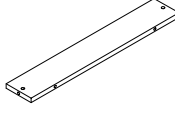
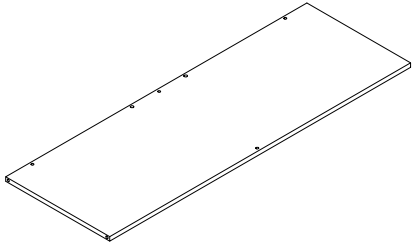
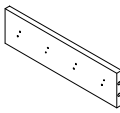
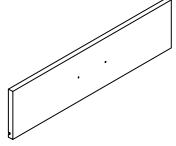
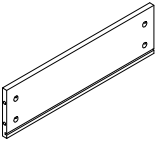
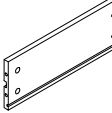
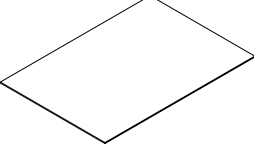
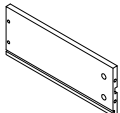
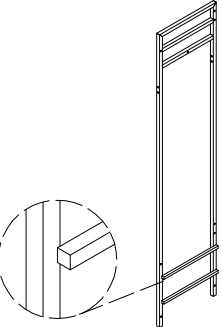
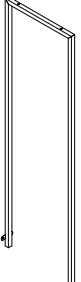
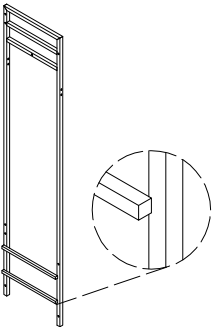
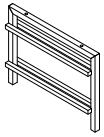
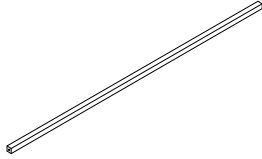
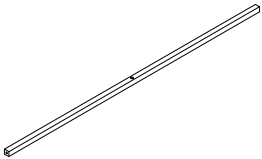


No.	PICTURE	SIZE	QTY	
A		 M6*10	2	
B		 M6*30	6	
C		 M6*40	8	
D		 ST7*40	6	
E		 ST5*50	20	
F		 M6*40	32	
G	 X2	 X1	ST3.5*18	8

No.	PICTURE	SIZE	QTY	
H	 X2	 X1	M4*18	4
I		M8-L	4	
J	 X2	 X2	 X2	1
		→ 32	1	
			1	

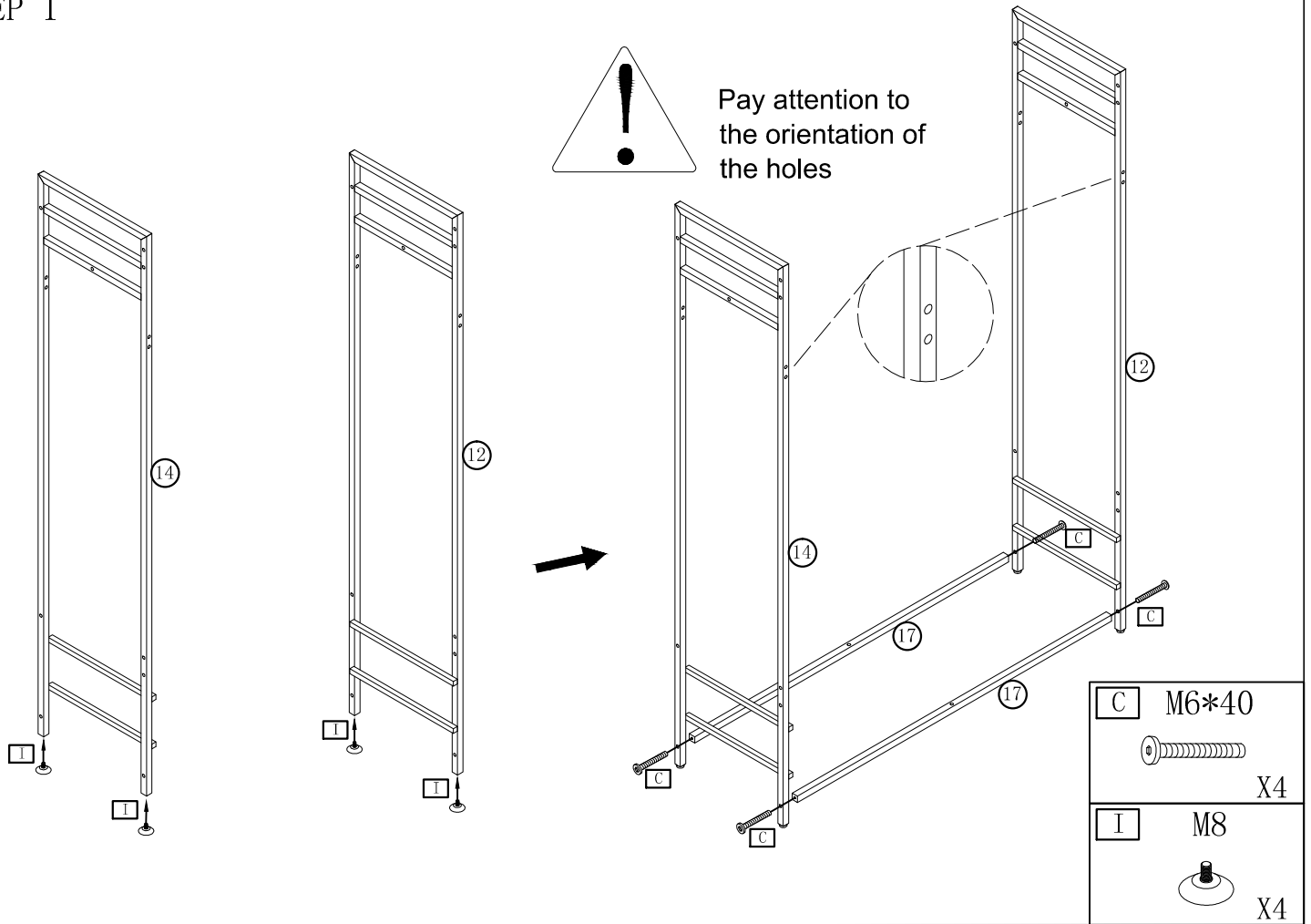
ASSEMBLY

INSTRUCTION

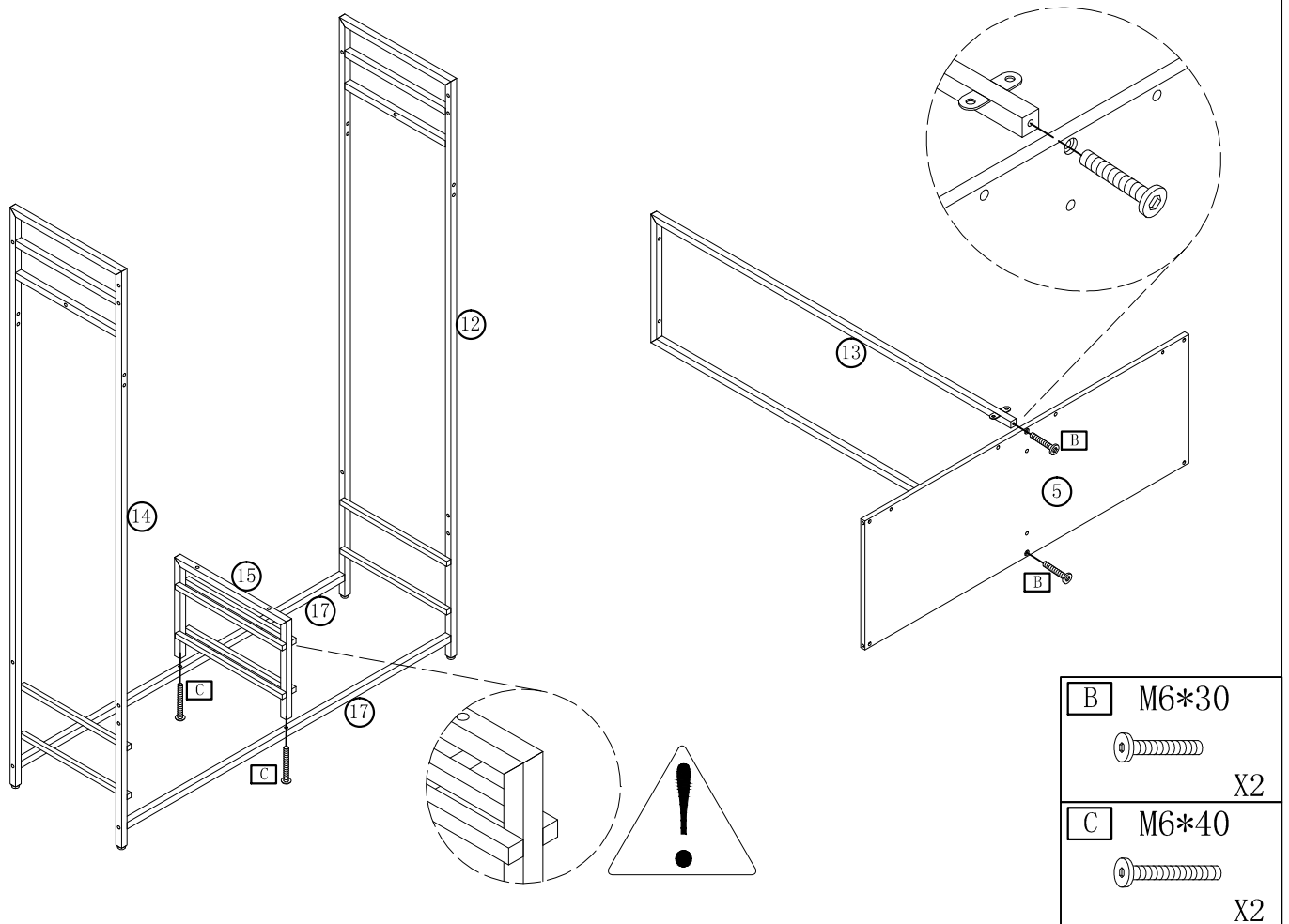
<p>①</p>  <p>X1</p>	<p>②</p>  <p>X1</p>	<p>③</p>  <p>X1</p>
<p>④</p>  <p>X1</p>	<p>⑤</p>  <p>X1</p>	<p>⑥</p>  <p>X2</p>
<p>⑦</p>  <p>X4</p>	<p>⑧</p>  <p>X4</p>	<p>⑨</p>  <p>X4</p>
<p>⑩</p>  <p>X4</p>	<p>⑪</p>  <p>X4</p>	<p>⑫</p>  <p>X1</p>
<p>⑬</p>  <p>X1</p>	<p>⑭</p>  <p>X1</p>	<p>⑮</p>  <p>X1</p>
<p>⑯</p>  <p>X1</p>	<p>⑰</p>  <p>X2</p>	

ASSEMBLY INSTRUCTION

STEP 1

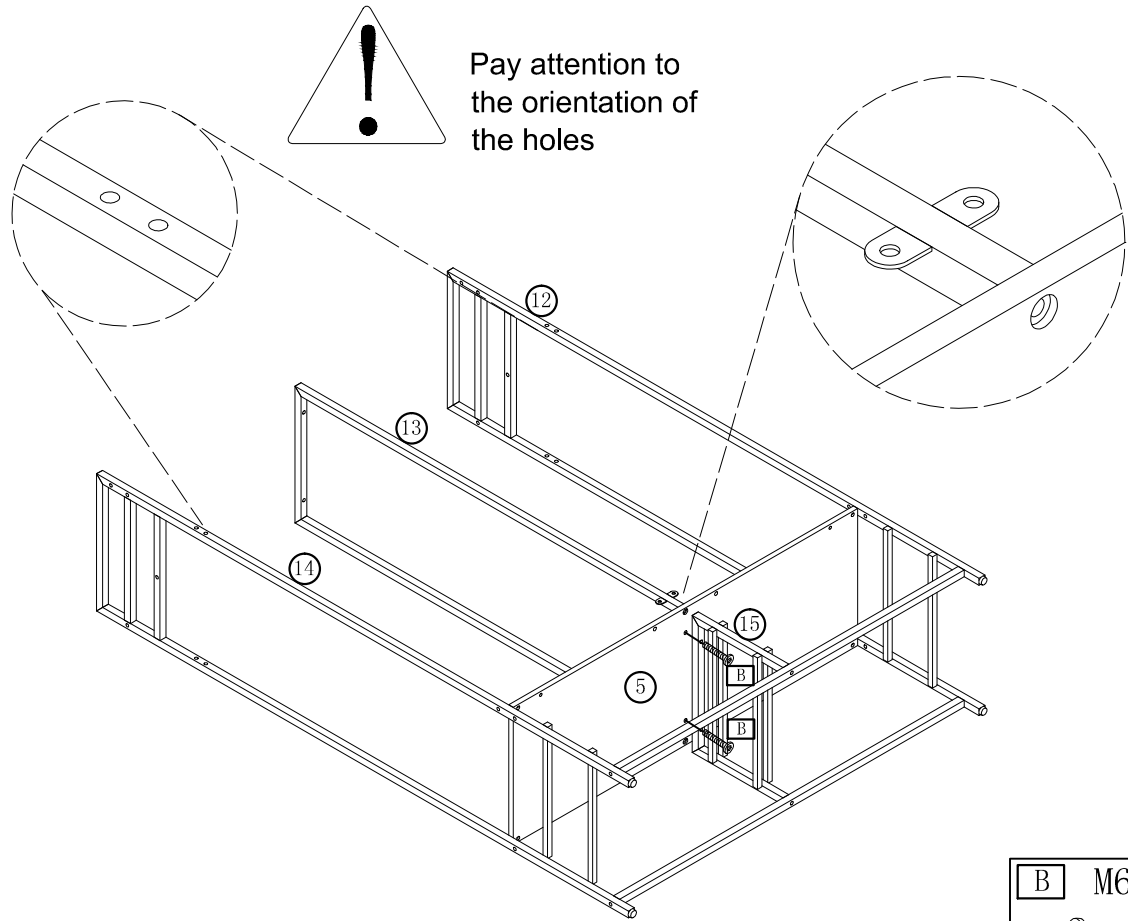


STEP 2



ASSEMBLY INSTRUCTION

STEP 3

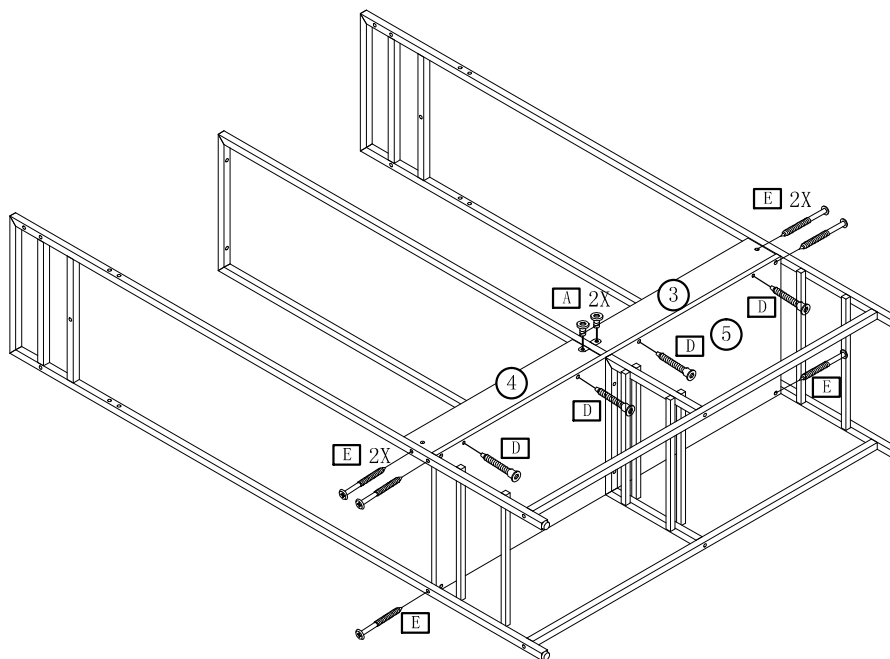


B M6*30



X2

STEP 4

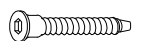


A M6*10



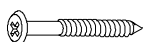
X2

D ST7*40



X4

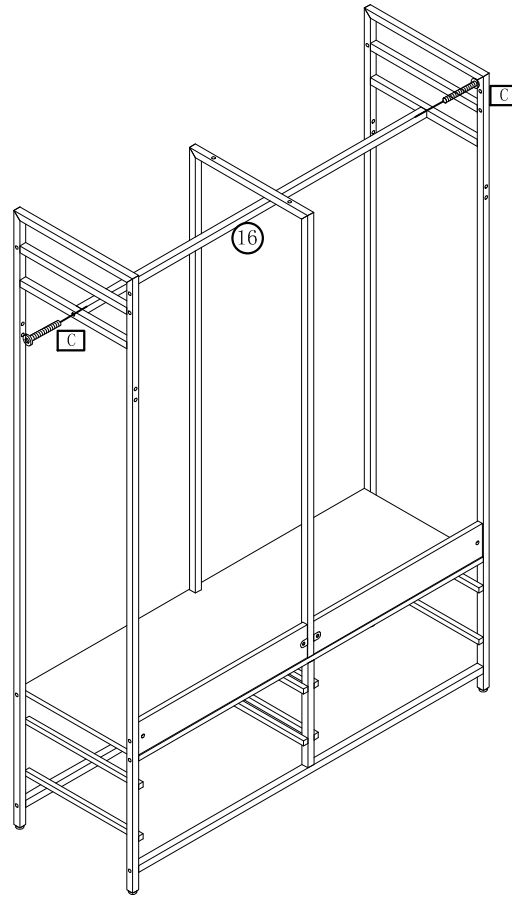
E ST5*50

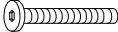


X6

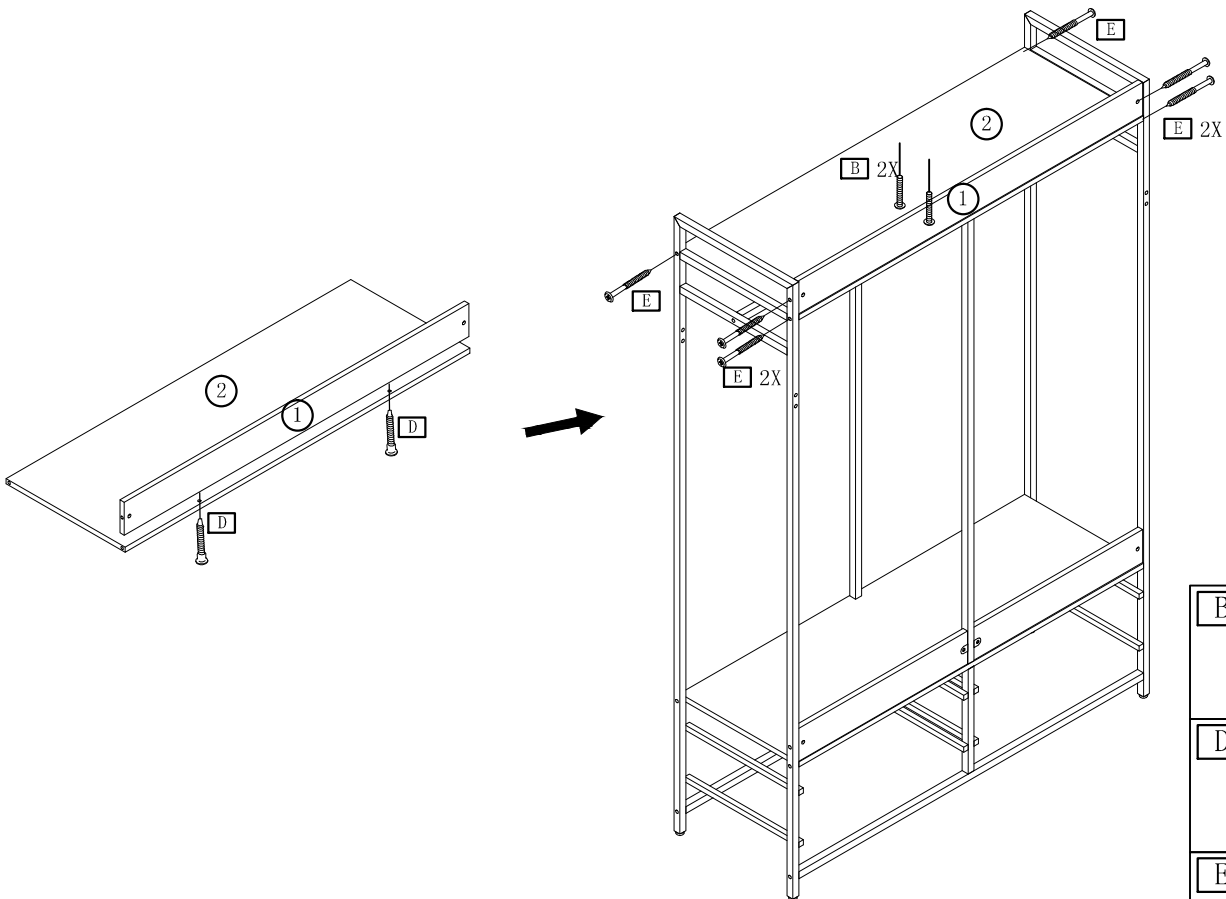
ASSEMBLY INSTRUCTION

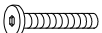
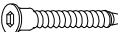
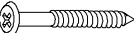
STEP 5



- | | |
|---|-------|
| C | M6*40 |
|  | X2 |

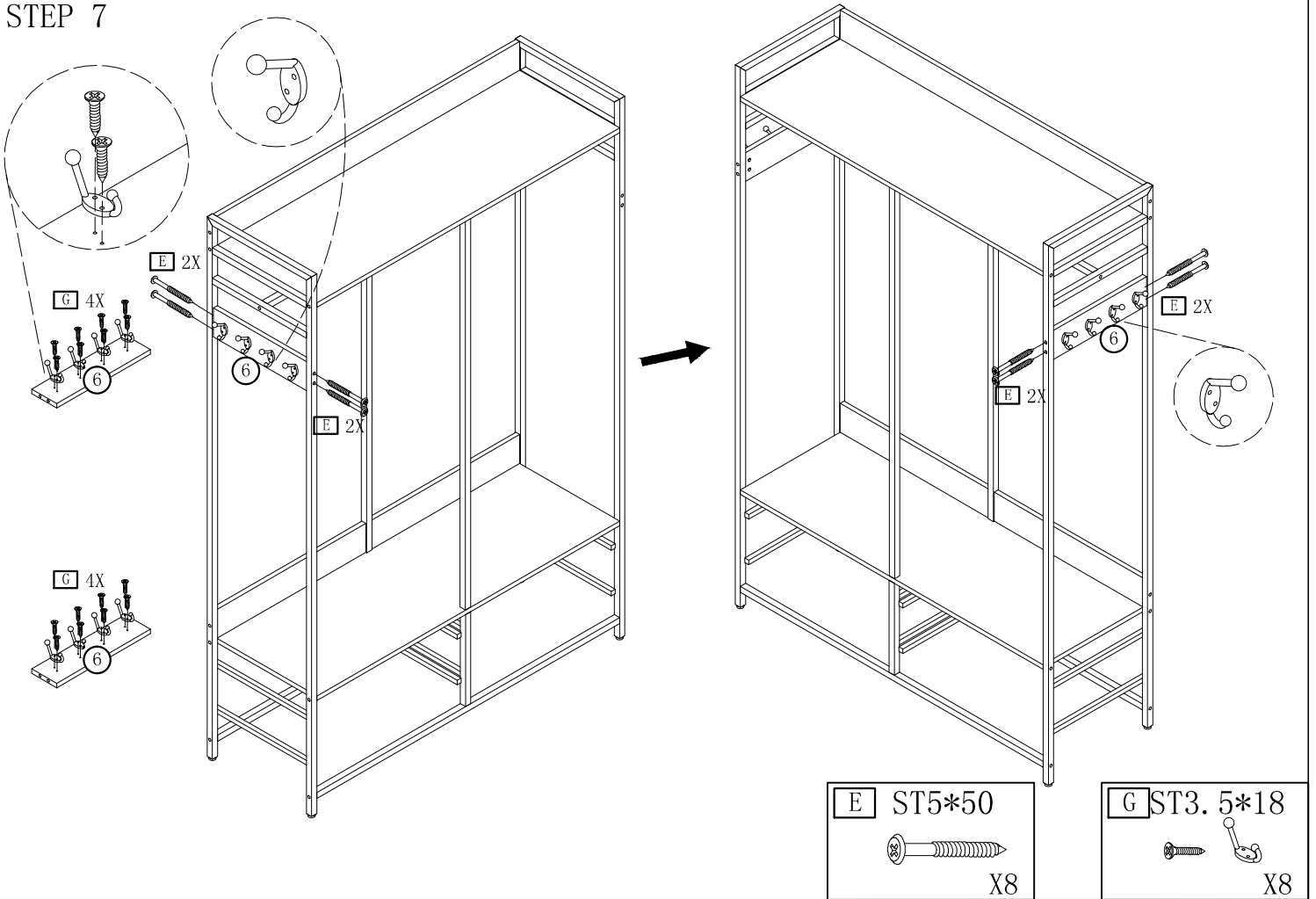
STEP 6



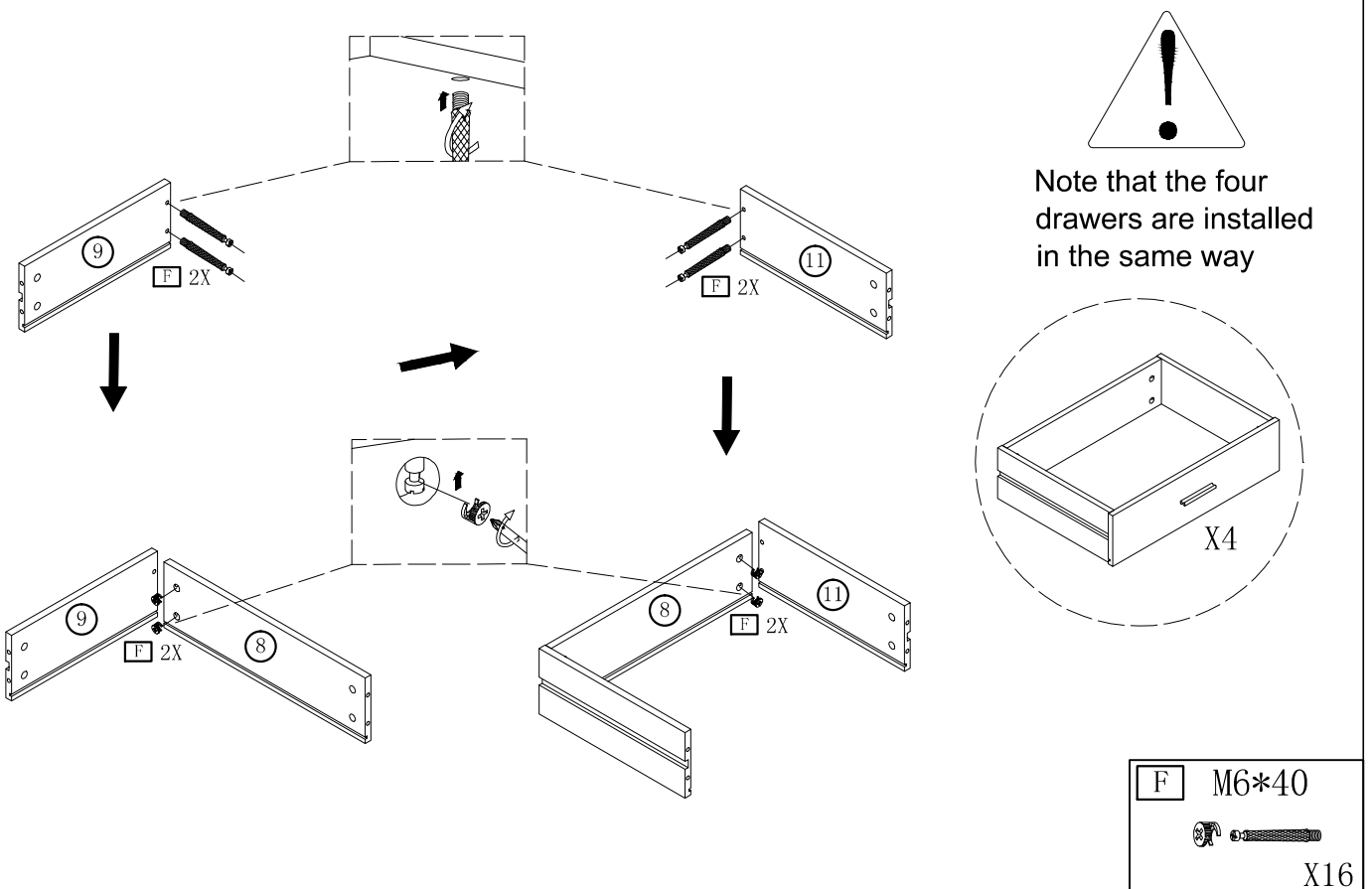
- | | |
|---|--------|
| B | M6*30 |
|  | X2 |
| D | ST7*40 |
|  | X2 |
| E | ST5*50 |
|  | X6 |

ASSEMBLY INSTRUCTION

STEP 7

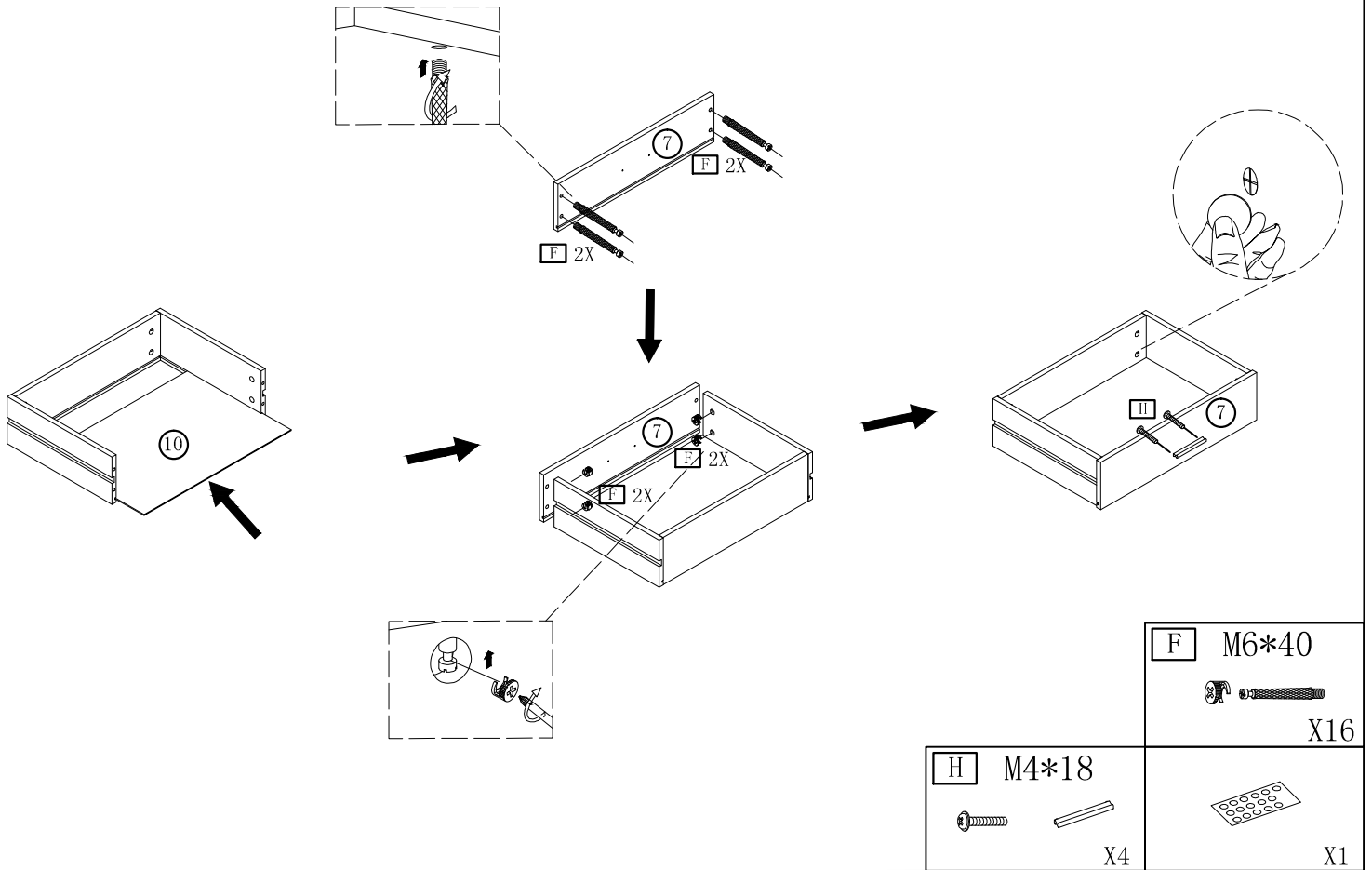


STEP 8

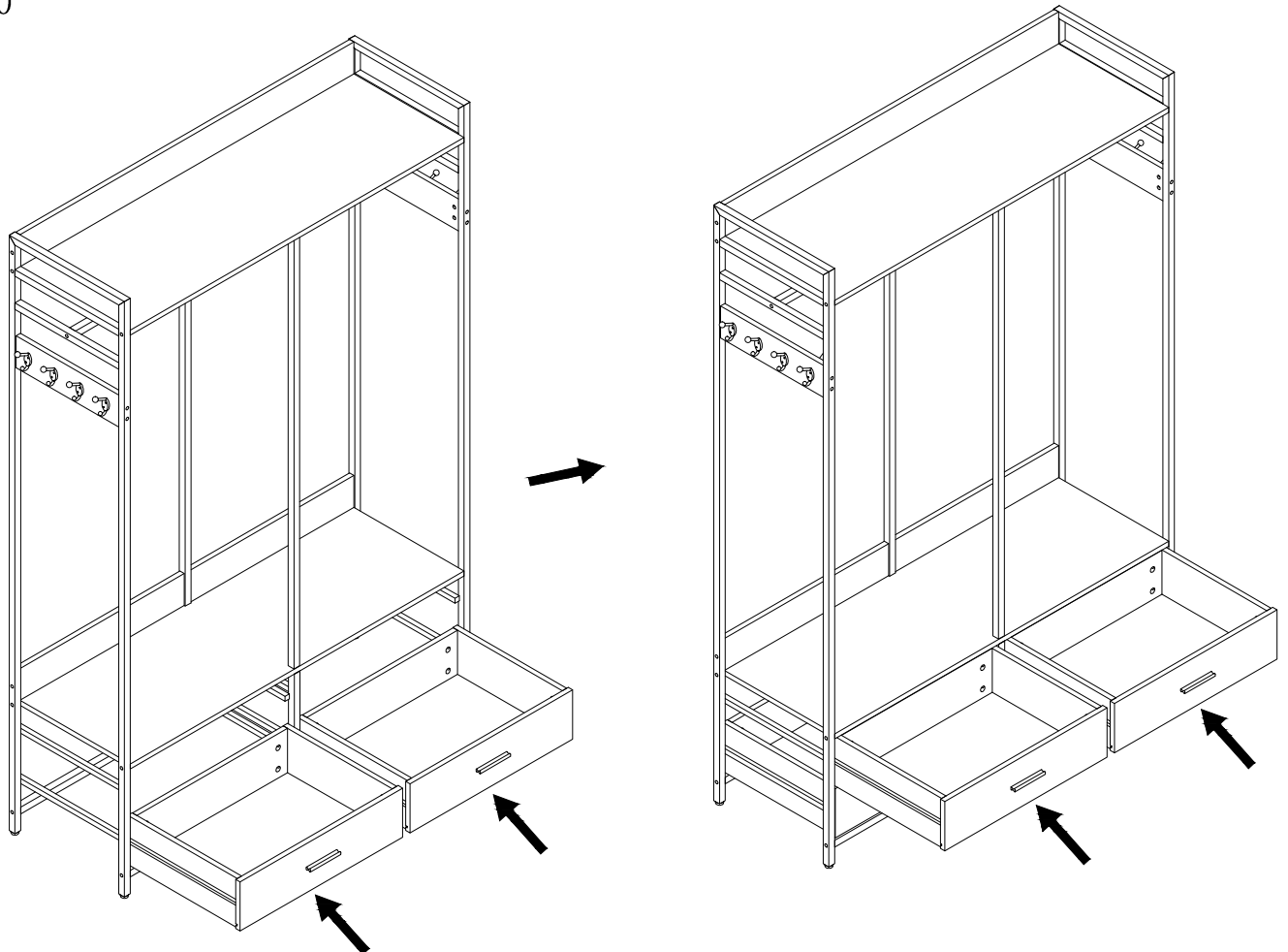


ASSEMBLY INSTRUCTION

STEP 9

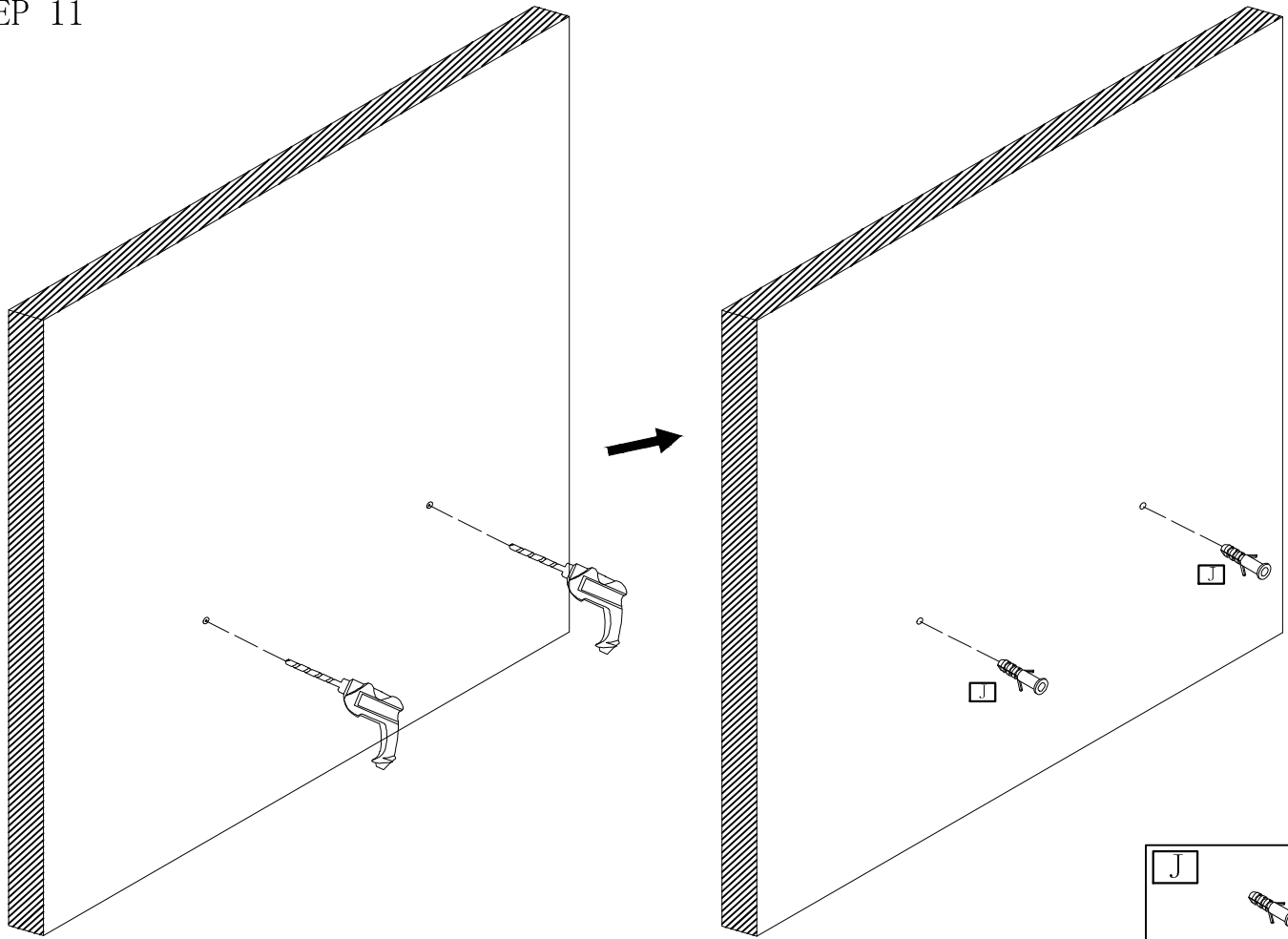


STEP 10

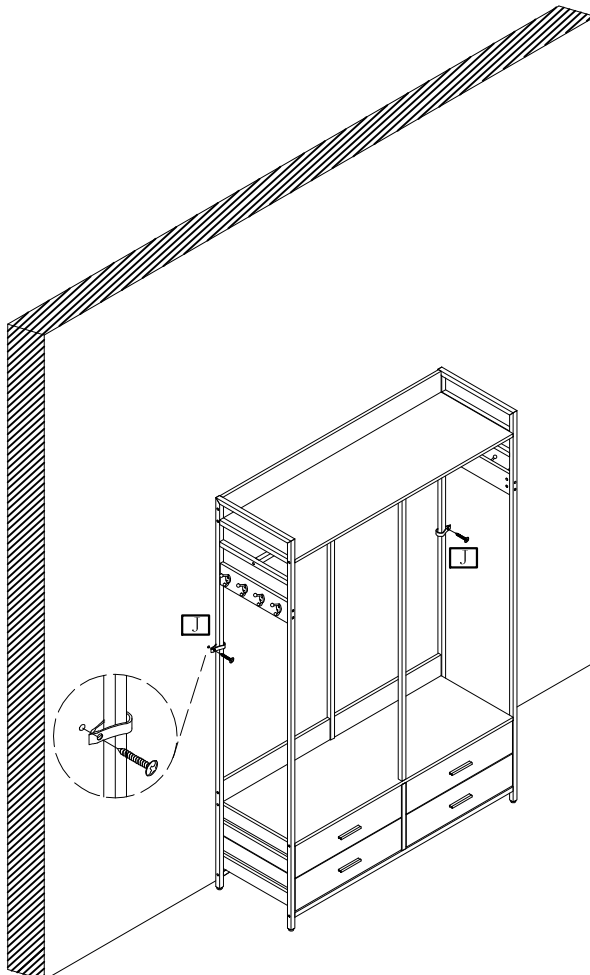


ASSEMBLY INSTRUCTION

STEP 11



STEP 12



We genuinely appreciate your purchase of our product. Any problem (installation or damage caused by shipping), please feel free to contact us. Our customer service will help to solve the problem for your ASAP