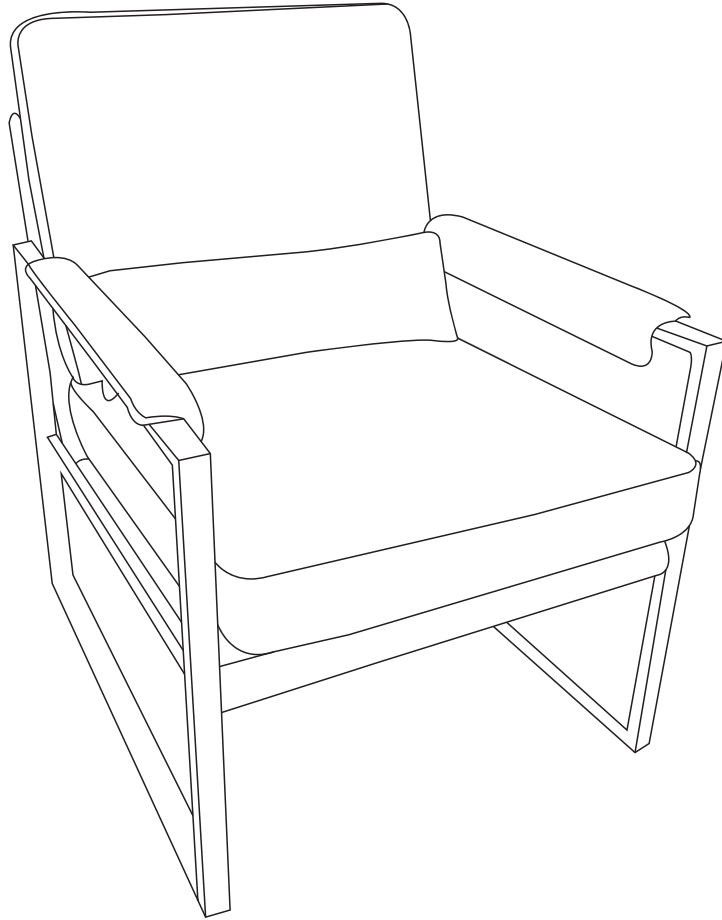


Assembly Instruction



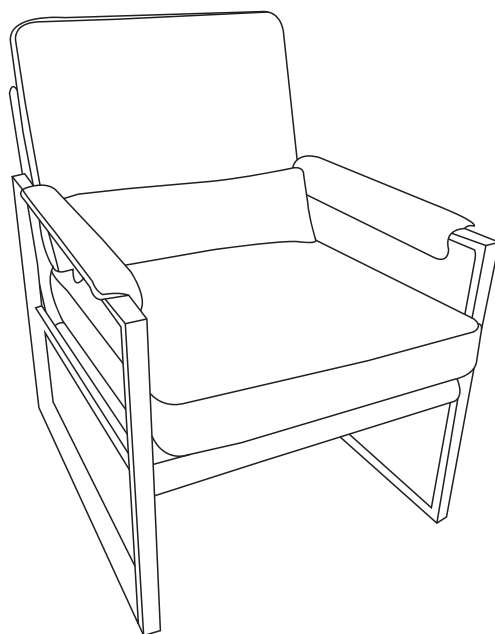
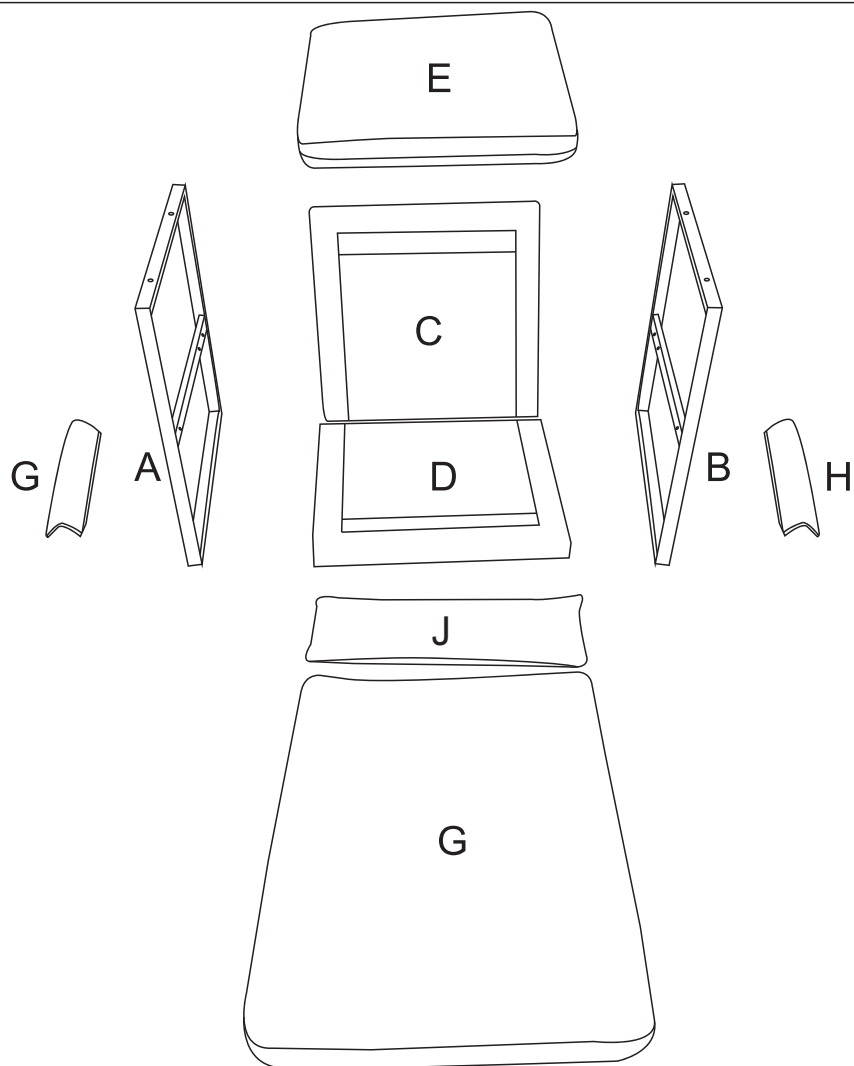
Attention: Do not open the compression bag if you are not satisfied with the product



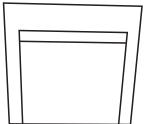
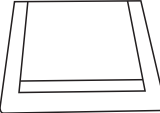




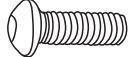


Thank you for your purchase.

If you have difficulty with assembly or find a part is missing or damaged, please don't hesitate to contact us for solution.

Customer Service team will work hard to put a smile back on your face.

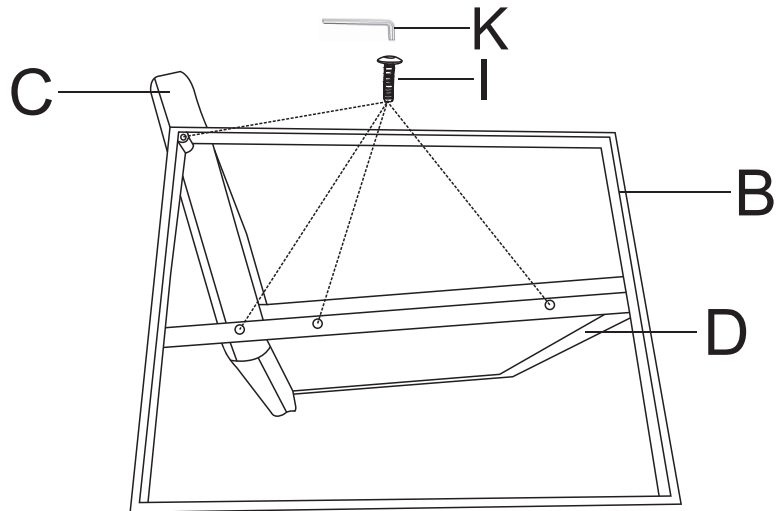
Components



NO	PARTS	QTY	DESCRIPTION
A		1 PC	Left Arm-rest frame
B		1 PC	Right Arm-rest frame
C		1 PC	Back frame
D		1 PC	Seat frame
E		1 PC	Seat Cushion
F		1 PC	Back Cushion
G		1 PC	Right Arm pillows
H		1 PC	Left Arm pillows
I		12PCS	M6*30mm Screw
J		1 PC	Waist pillows
K		1 PC	Allen Key

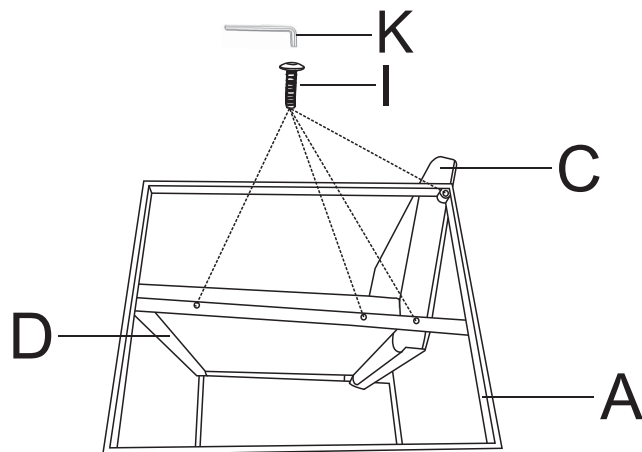
STEP 1

Connect Arm B to Crosspiece C/D with screw I



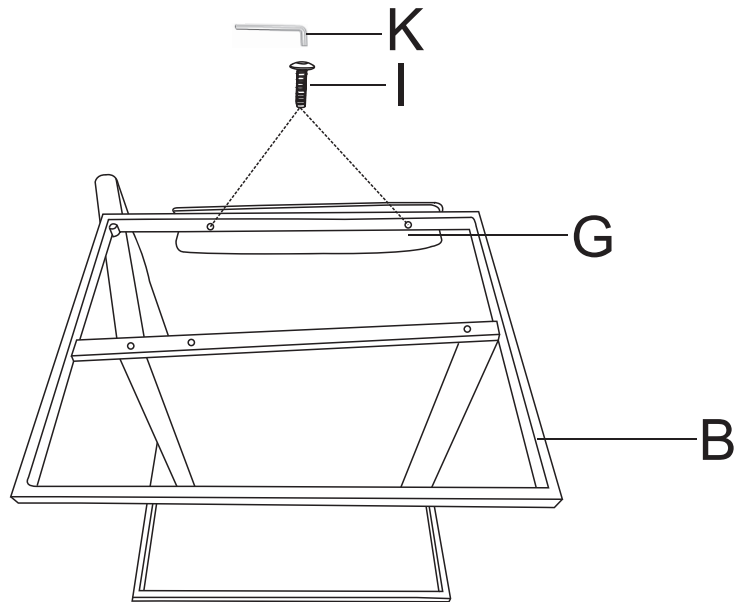
STEP 2

Connect Arm A to Crosspiece C/D with screw I



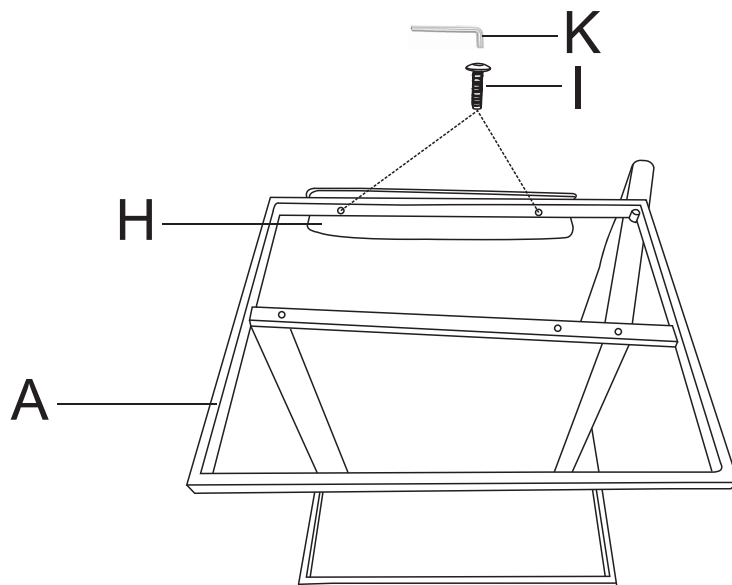
STEP 3

Connect Arm pillows G to Arm B with screw I

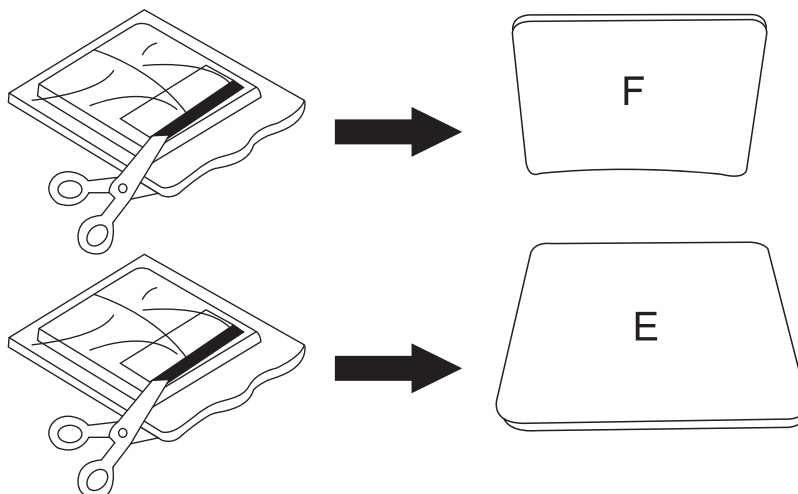


STEP 4

Connect Arm pillows H to Arm A with screw I



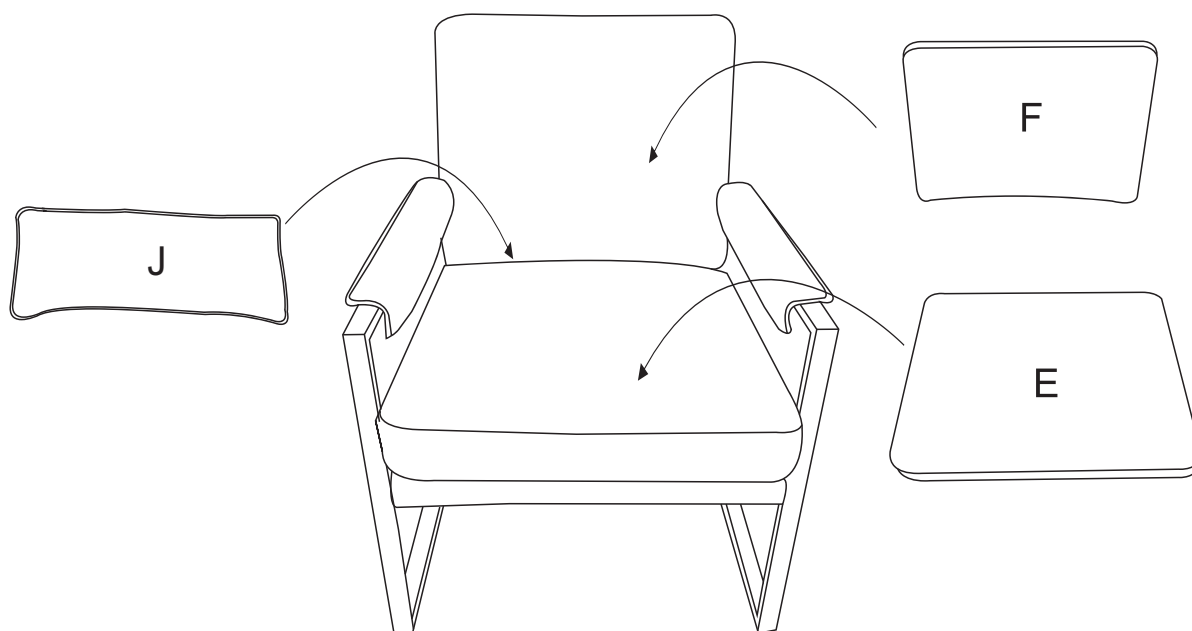
STEP 5



1. Cut open the compression package and remove the seat cushion and back cushion
2. Compression package after cutting, after standing for 24 hours, more comfortable

STEP 6

Have cushion E/F/J placed respectively



STEP 7

Well done!

