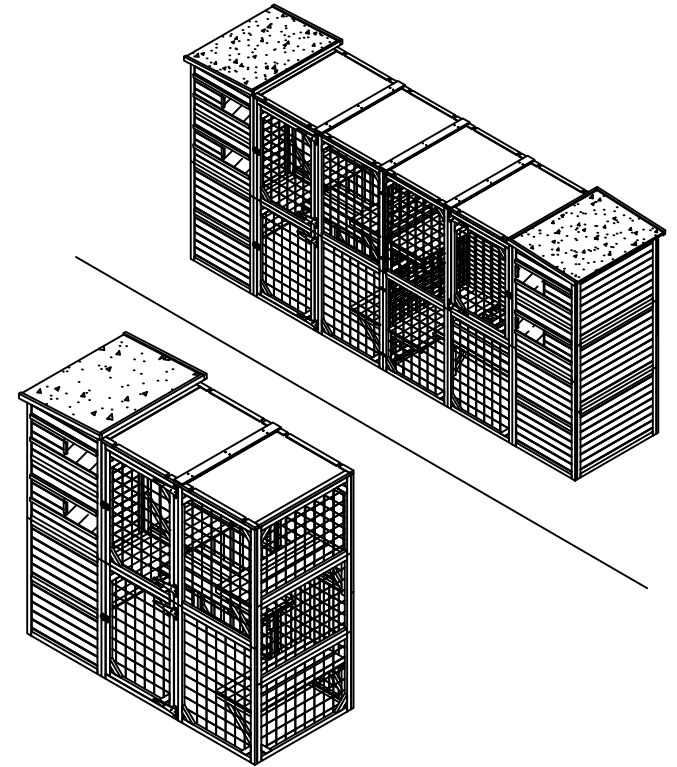


ASSEMBLY INSTRUCTIONS
PLEASE RETAIN THESE INSTRUCTIONS FOR FUTURE USE



TIME ASSEMBLE : 30-60 minutes



NUMBER OF PERSON: 2

Greeting!
So here I am

your new pet house

- ▶ Thanks for letting me be a home for your furry friend(s).
- ▶ They'll be cozy and protected from the weather when they're with me.
- ▶ Just remember to take care of me too, so I can last a long time.
- ▶ When you first get me, you might smell a funny smell. Don't worry it's not dangerous.
- ▶ Just let me air out for a few days and the smell will go away.
- ▶ Be careful when you're putting me together because some of my parts can be sharp or heavy.
- ▶ Make sure to start by loosely putting in screws, and then tighten them all before using me.
- ▶ If you notice anything broken or missing, stop using me until it's fixed. and please follow the instructions from the maker so your warranty stays good.
- ▶ You can use me both inside and outside, but if you put me outside, make sure to give me an extra cover to keep me from getting moldy.
- ▶ I like to be on a level surface so my doors work smoothly.
- ▶ Keep me away from fire and dangerous chemicals.
- ▶ Clean me with a damp, soapy sponge without corrosive agents.
- ▶ Dry me with a soft, clean, dry cloth.
- ▶ Do not use a high pressure cleaner on me.
- ▶ Do not use bleach, acids, solvents, or abrasive cleaners on me.
- ▶ Check that all my bolts, screws, and knobs are tight every 90 days.

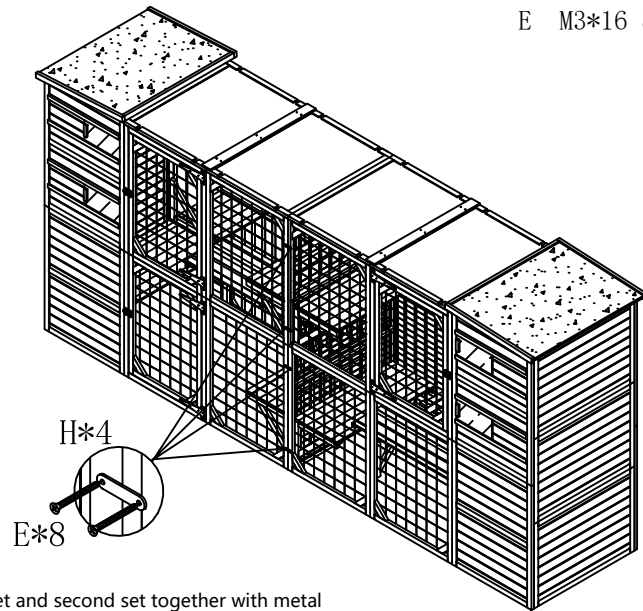


HELP CENTER

- ▶ Your full satisfaction is our **FIRST** priority
- ▶ We hope you enjoy it and have a good shopping experience.
- ▶ We are committed to resolve any situation when it does not meet your expectations.
- ▶ Please feel free to contact us through order detail page, we will get back to you and solve them within 24 hours.

H 4PCS

E M3*16 8PCS



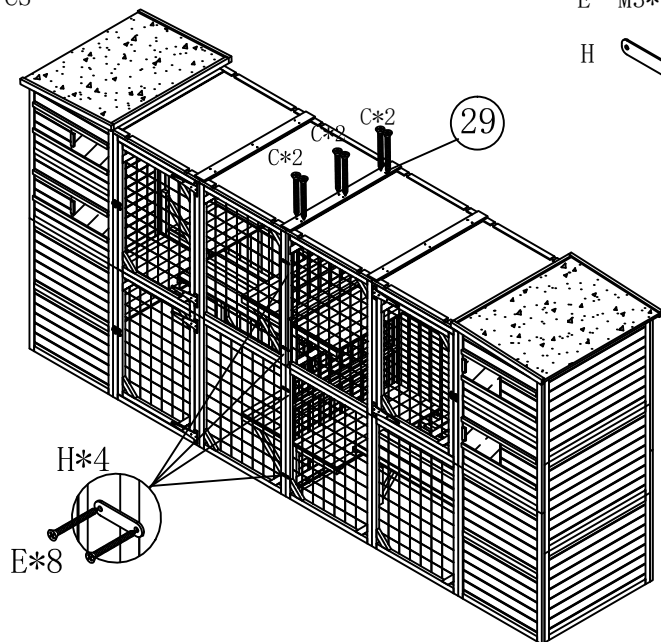
Connect first set and second set together with metal connectors(H)*4 on front panel.

STEP 20

C M3*23 6PCS

E M3*16 8PCS

H 4PCS



Connect first set and second set together with metal connectors(H)*4 on Back panel. Fix 29 Ridge with screws.

STEP 21

Wooden house

Back

Left

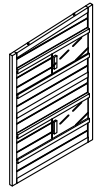
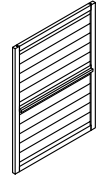
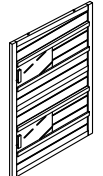
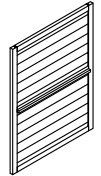
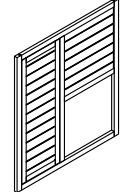
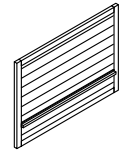
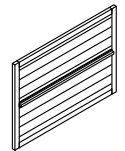
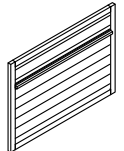
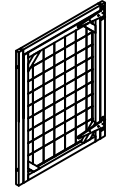
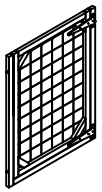
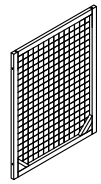
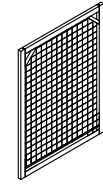
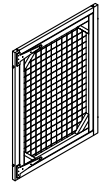
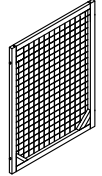
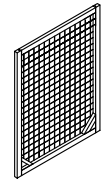


Front

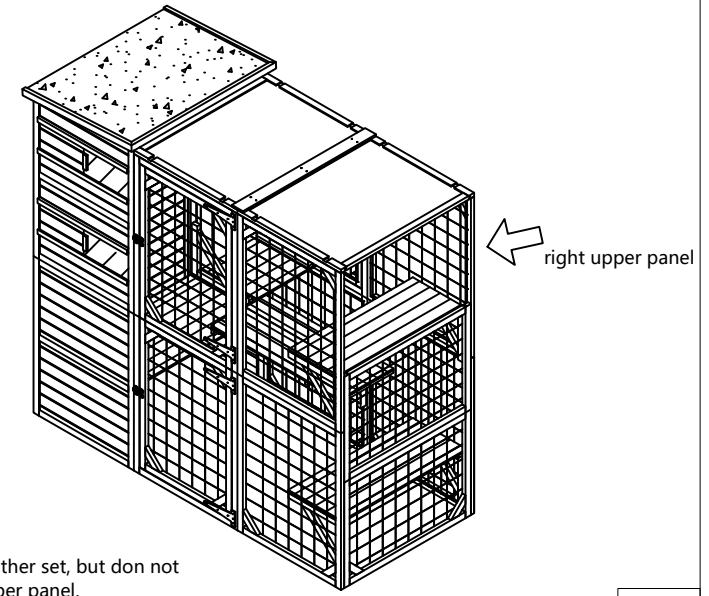
Right

ASSEMBLY INSTRUCTION

Tool Required:  Electric Drill  Phillips Screwdriver

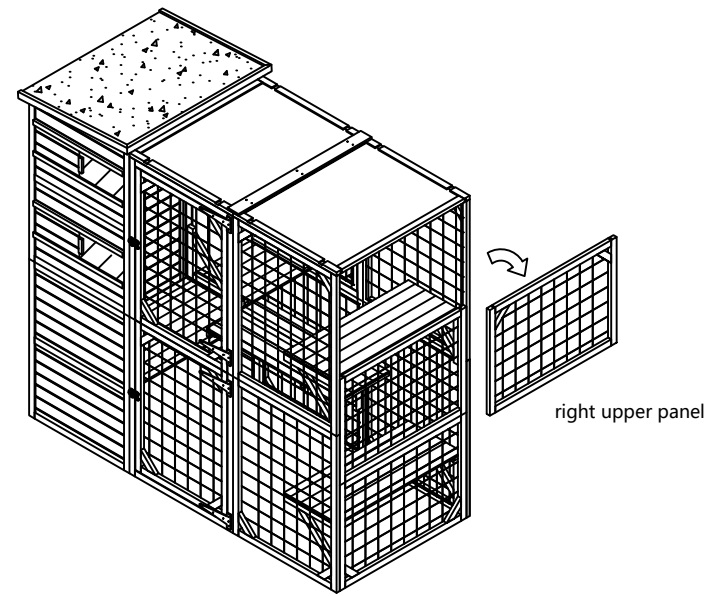
		
① Front upper panel	② Front down panel	③ Back upper panel
		
④ Back down panel	⑤ Right upper panel	⑥ Left upper panel
		
⑦ Left middle panel	⑧ Left down panel	⑨ Front Left upper panel of run
		
⑩ Front Left down panel of run	⑪ Front right down panel of run	⑫ Front right upper panel of run
		
⑬ Back left upper panel of run	⑭ Back left down panel of run	⑮ Back right down panel of run

ASSEMBLY INSTRUCTIONS FOR TWO SETS CONNECTION



Repeat to assemble another set, but do not assemble the right upper panel.

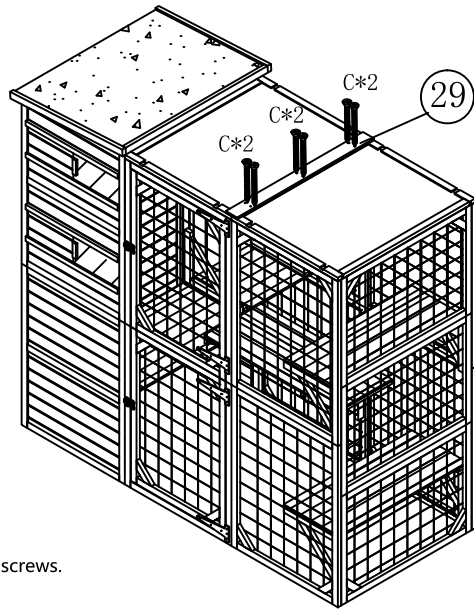
STEP 18



Take off the right upper panel from first set.

STEP 19

C M3*23 6PCS

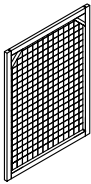
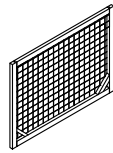
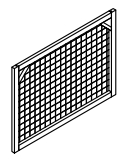
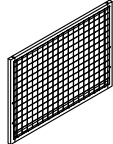
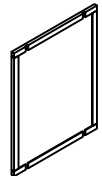
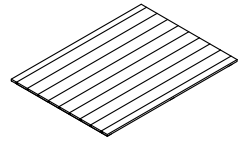
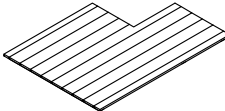
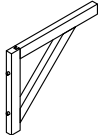
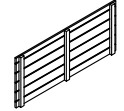
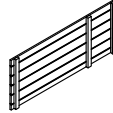
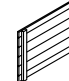
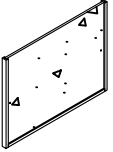
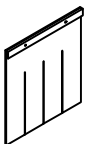

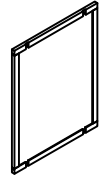


Fix 29 Ridge with screws.

STEP 17

ASSEMBLY INSTRUCTION








Tool Required:  Electric Drill  Phillips Screwdriver

		
16 Back right upper panel of run	17 Right down panel of run	18 Right upper panel of run
		
19 Right middle panel of run	20 Left roof of run	21*2 Platform panel
		
22 Platform panel	23*8 Platform panel supporter	24*2 Platform panel
		
25 Platform panel	26 Platform panel	27 Roof
		
28 Door curtain	29*2 Ridge	30 Right roof of run

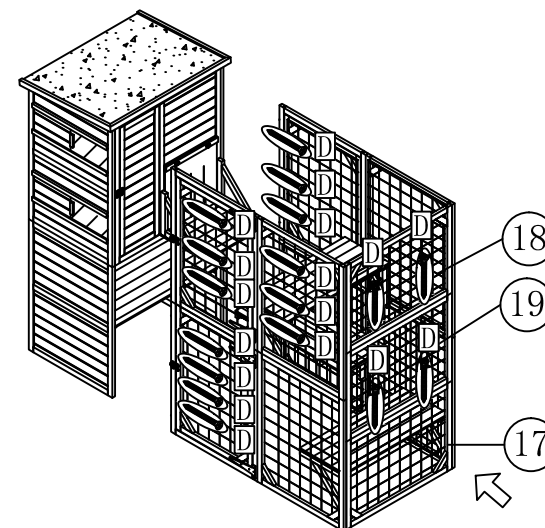
ASSEMBLY INSTRUCTION

Tool Required:  Electric Drill  Phillips Screwdriver

Parts Description

	A	M4*45	64PCS+1
	B	M3.5*35	8PCS+1
	C	M3*23	36PCS+1
	D	M4*60	36PCS+1
	E	M3*16	32PCS+1
	F		4PCS
	G		2PCS
	H		8PCS

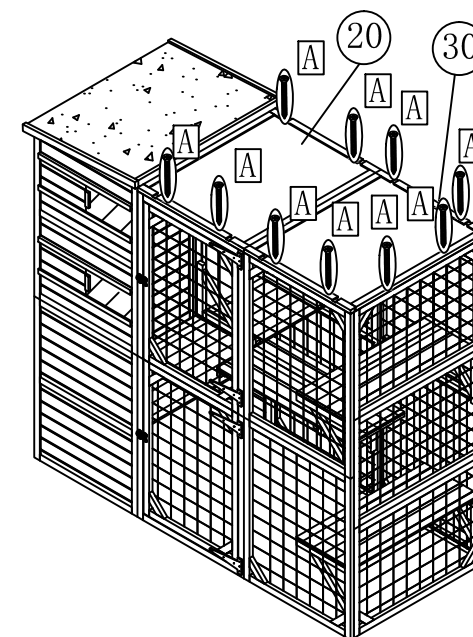
D M4*60 17PCS



Attach ⑰ Right down panel of run, ⑱ Right upper panel of run, ⑲ Right middle panel of run, with screws, and connect the main house and run together with screws.

STEP 15

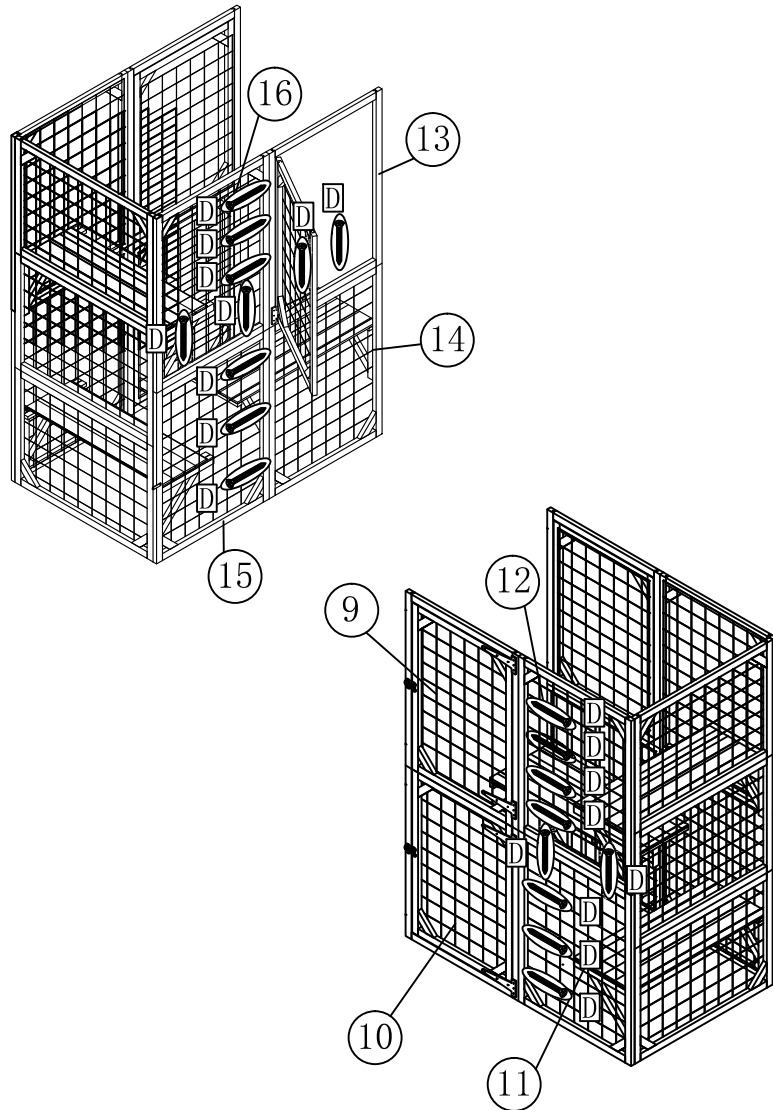
A M4*45 10PCS



Fix ⑳ Left roof of run and ㉟ Right roof of run with screws.

STEP 16

D M4*60 19PCS

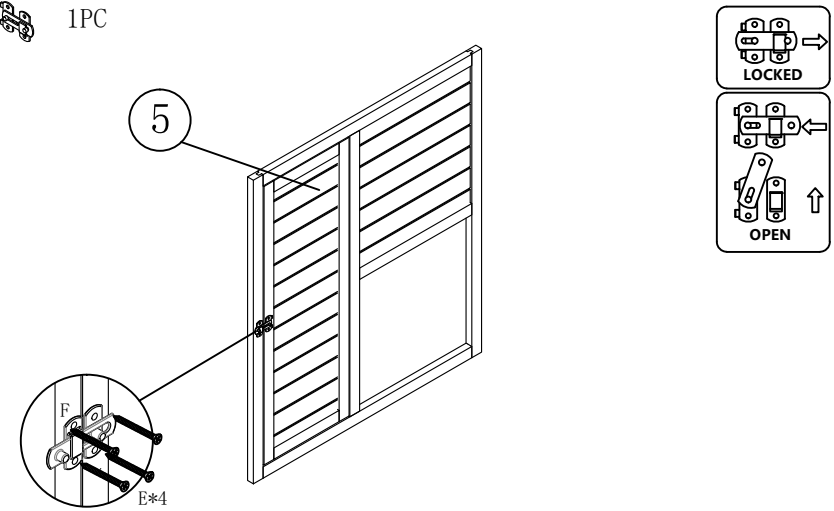


Attach ⑬ Back left upper panel of run, ⑭ Back left down panel of run, ⑮ Back right down panel of run, ⑯ Back right upper panel of run with screws, and attach ⑨ Front Left upper panel of run, ⑩ Front Left down panel of run, ⑪ Front right upper panel of run, ⑫ Front right down panel of run with screws.

STEP 14

E M3*16 4PCS

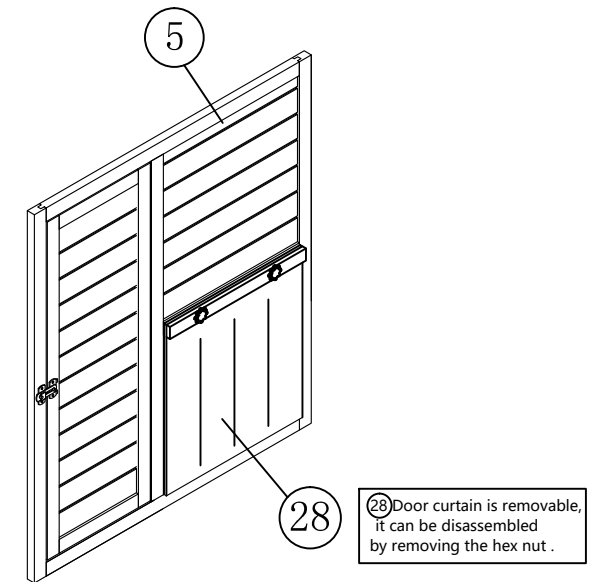
F  1PC



Fix (F) Bolt on ⑤ Right upper panel with screws.

STEP 1

G  2PCS

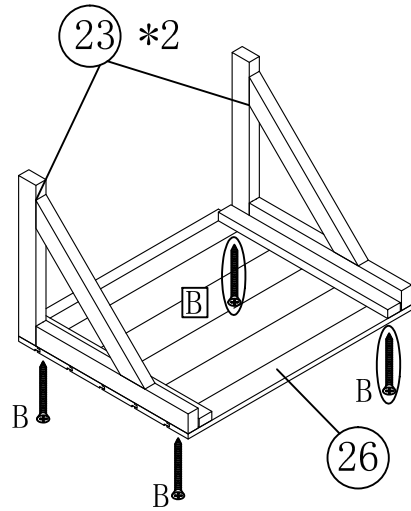


Fix ⑳ Door curtain on ⑤ Right upper panel with screws.

STEP 2

⑳ Door curtain is removable, it can be disassembled by removing the hex nut.

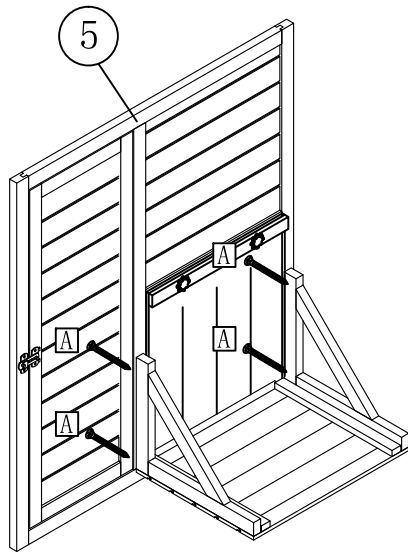
B M3.5*35 4PCS



Fix ②③*2 Platform panel supporter on ②⑥ Platform panel with screws.

STEP 3

A M4*45 4PCS

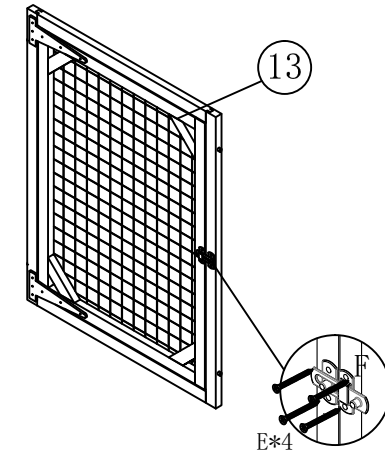


Fix the part of assembled Step 3 on ⑤ Right upper panel with screws.

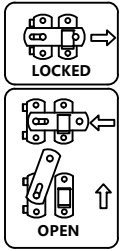
STEP 4

E M3*16 4PCS

F ④ 1PC

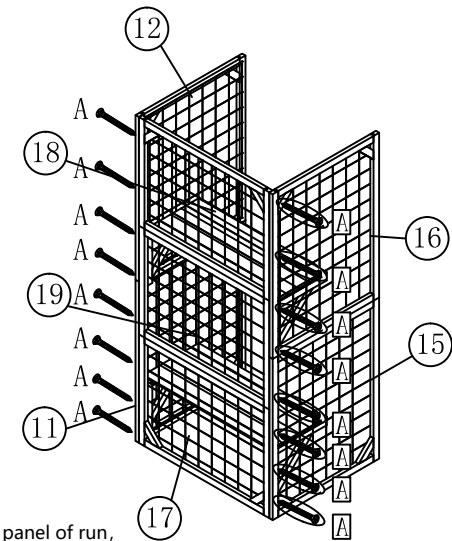


Fix(F) Bolt on ⑬ Back left upper panel of run with screws.



STEP 12

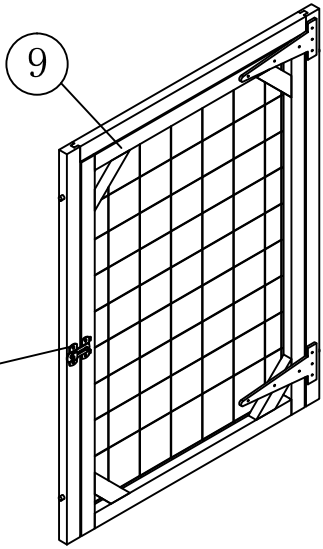
A M4*45 16PCS



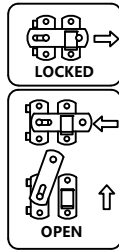
Attach ⑪ Front right down panel of run,
⑫ Front right upper panel of run,
⑮ Back right down panel of run,
⑯ Back right upper panel of run,
⑰ Right down panel of run,
⑱ Right upper panel of run,
⑲ Right middle panel of run with screws.

STEP 13

E M3*16 4PCS



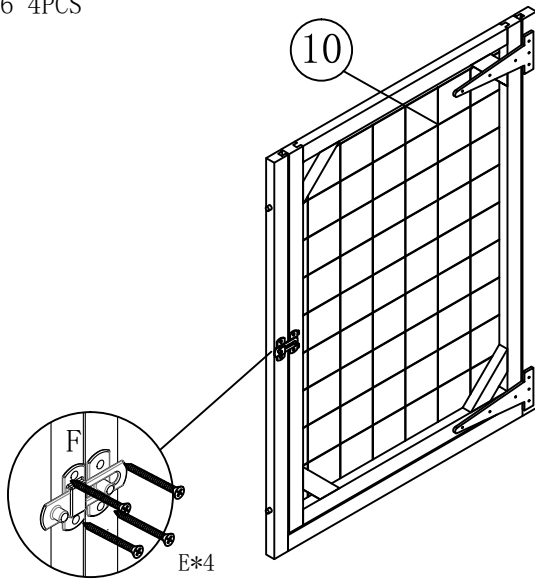
F 1PC



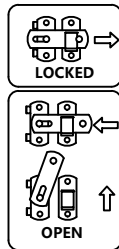
Fix(F)Bolt on ⑨ Front Left upper panel of run with screws.

STEP 10

E M3*16 4PCS



F 1PC

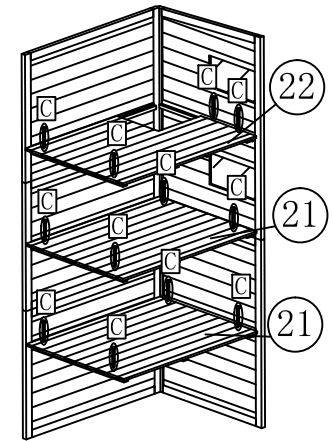
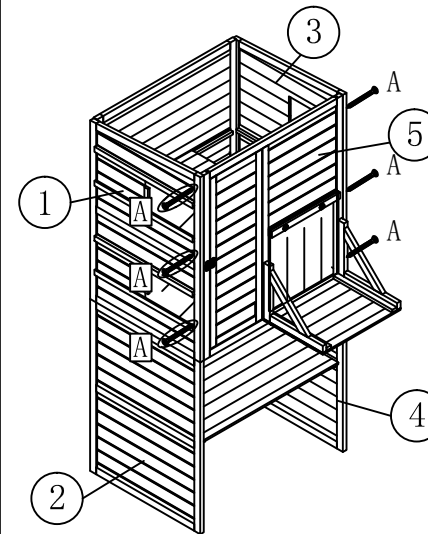
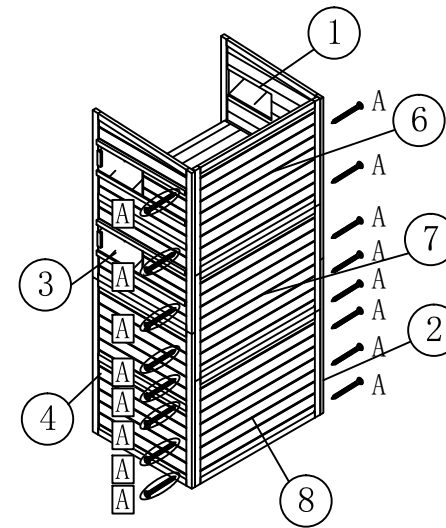


Fix(F)Bolt on ⑩ Front Left down panel of run with screws.

STEP 11

A M4*45 22PCS

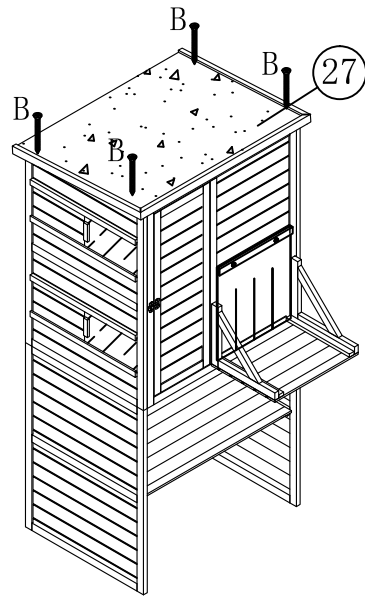
C M3*23 12PCS



Attach ①Front upper panel, ②Front down panel, ③Back upper panel, ④Back down panel, ⑤Right upper panel, ⑥Left upper panel with screws, ⑦Left middle panel, ⑧Left down panel with screws, Fix ②①*2 Platform panel and ②② Platform panel with screws.

STEP 5

B M3.5*35 4PCS

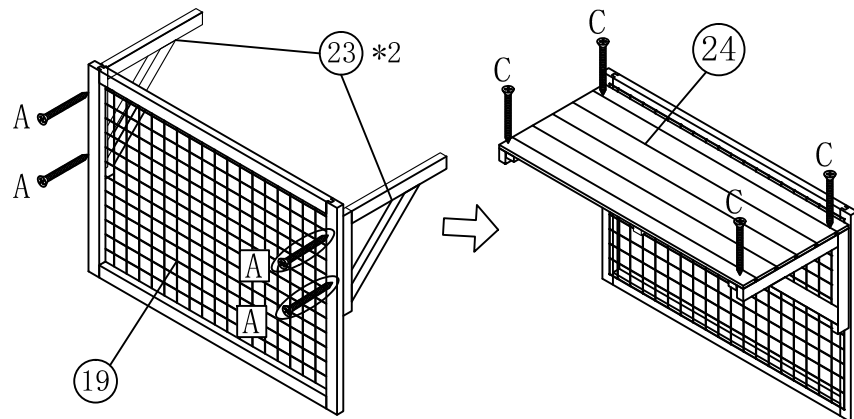


Fix 27 Roof with screws

STEP 6

A M4*45 4PCS

C M3*23 4PCS

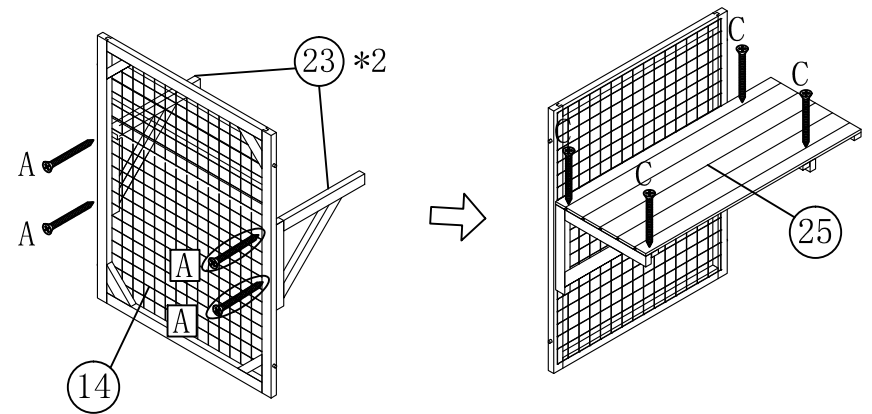


Fix 23*2 Platform panel supporter on 19 Right middle panel of run with screws, then fix 24 Platform panel with screws.

STEP 7

A M4*45 4PCS

C M3*23 4PCS

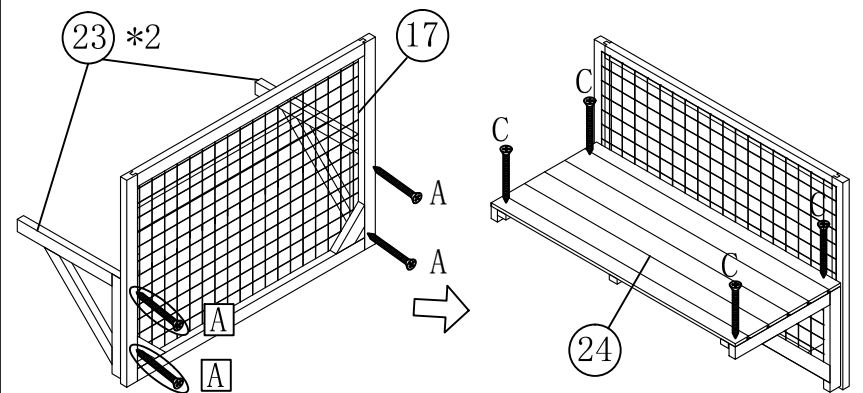


Fix 23*2 Platform panel supporter on 14 Back left down panel of run with screws, then fix 25 Platform panel with screws.

STEP 8

A M4*45 4PCS

C M3*23 4PCS



Fix 23*2 Platform panel supporter on 17 Right down panel of run with screws, then fix 24 Platform panel with screws.

STEP 9