


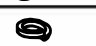





# ASSEMBLY INSTRUCTIONS & PARTS IDENTIFICATION

## COUNTER STOOL

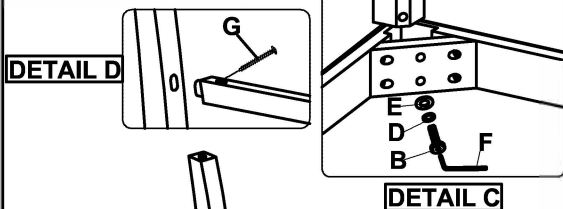
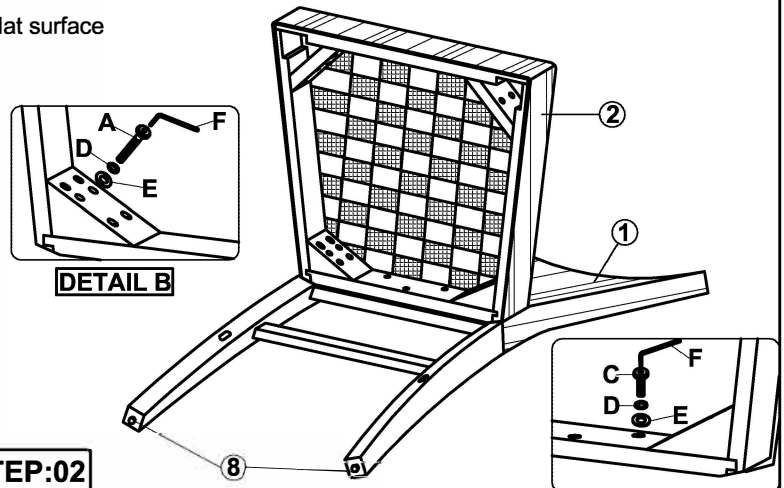
Thank you for purchasing this quality product. Be sure to check all packing material carefully for small parts that may have come loose inside the carton during shipment. **DO NOT** use power tools to assembly.

| Parts key |       |                             | Hardware Kit |   |        |                         |
|-----------|-------|-----------------------------|--------------|---|--------|-------------------------|
| No        | Qty   | Description                 | No           | Code  | Qty    | Description             |
| 1         | 1 pc  | Chair Back                  | A            |  | 4 pcs  | Long Bolt Ø7.8 x 80mm   |
| 2         | 1 pc  | Complete Seat               | B            |  | 4 pcs  | Medium Bolt Ø7.8 x 50mm |
| 3         | 1 pc  | Right Facing Front Leg      | C            |  | 3 pcs  | Short Bolt Ø7.8 x 35mm  |
| 4         | 1 pc  | Left Facing Front Leg       | D            |  | 11 pcs | Lock Washer Ø8.5        |
| 5         | 1 pc  | Right Facing Side Stretcher | E            |  | 11 pcs | Flat Washer Ø8.5        |
| 6         | 1 pc  | Left Facing Side Stretcher  | F            |  | 4 pcs  | Allen Key               |
| 7         | 1 pc  | Front Stretcher             | G            |  | 6 pcs  | Screw Ø4x40mm           |
| 8         | 4 pcs | Floor glide                 |              |   |        |                         |

**STEP:01** - Carefully lay the Chair Back flat on a smooth flat surface to prevent scratches.

- Attach Complete Seat to Chair Back by inserting a Flat Washer (E), Lock Washer (D) with Short Bolt (C) into each of the hole on the back rail of the seat. Attach the Long Bolt(A), Lock Washer (D) and Flat Washer (E) into each of 2 holes in the Complete Seat corners. (See Detail A & B).

- Tighten screws with provided Allen Key (F) by turning clockwise until secure.



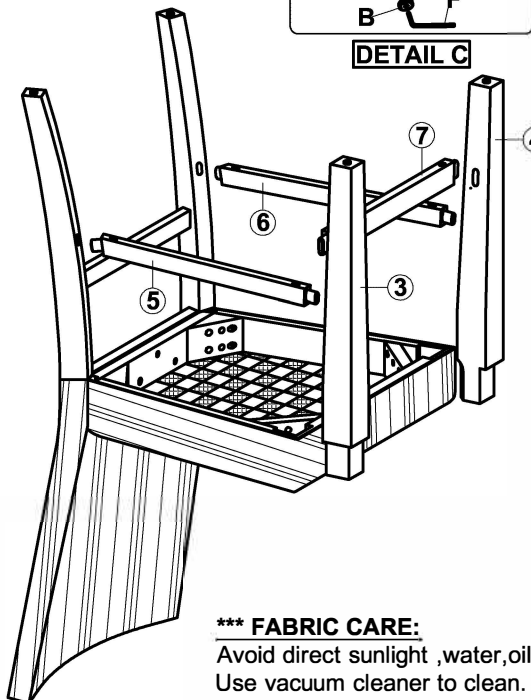
**STEP:02**

- Carefully turn Chair upside down and attach each Leg to the front corners of the Complete Seat making note of the right side facing and the left side facing leg. The stretcher holes for the front stretcher are lower than the side.

- Attach the legs with a Flat Washer (E), Lock Washer (D) and Bolt (B) using the Allen Key (F).

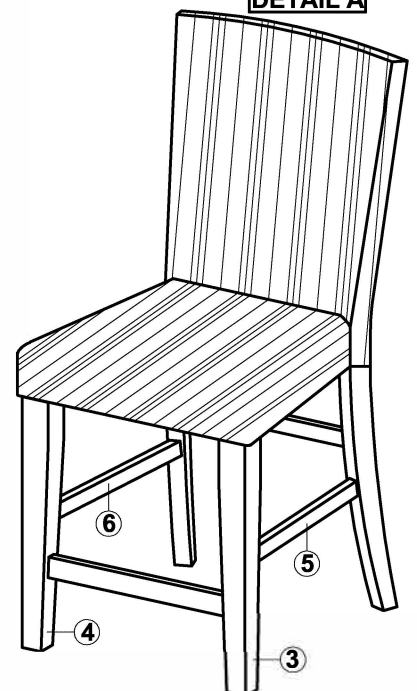
- Do not fully tighten the Bolts at this stage until all the parts are in position (See Detail C).

- Insert 2 Side Stretchers between the Front Legs, fasten by hand with Wood Screw (G) using a phillip-head screwdriver. (not provided). (See Detail D). Once in place, tighten all the leg bolts.



**\*\*\* FABRIC CARE:**










Avoid direct sunlight ,water,oil,acid,sharp objects etc.  
Use vacuum cleaner to clean. Wipe spills immediately.  
If needed, spot clean with a mild water-based soap.  
Fabric content 100% Polyester, Cleaning Code W



# ASSEMBLY INSTRUCTIONS & PARTS IDENTIFICATION

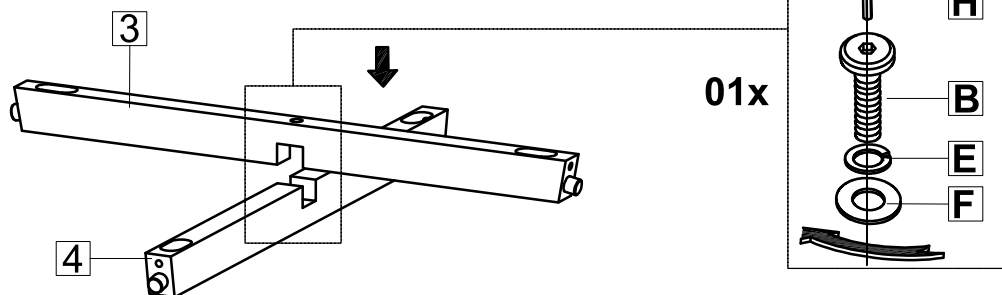
## COUNTER HEIGHT EXTENSION TABLE

Thank you for purchasing this quality product. Be sure to check all packing material carefully for small parts that may have come loose inside the carton during shipment.

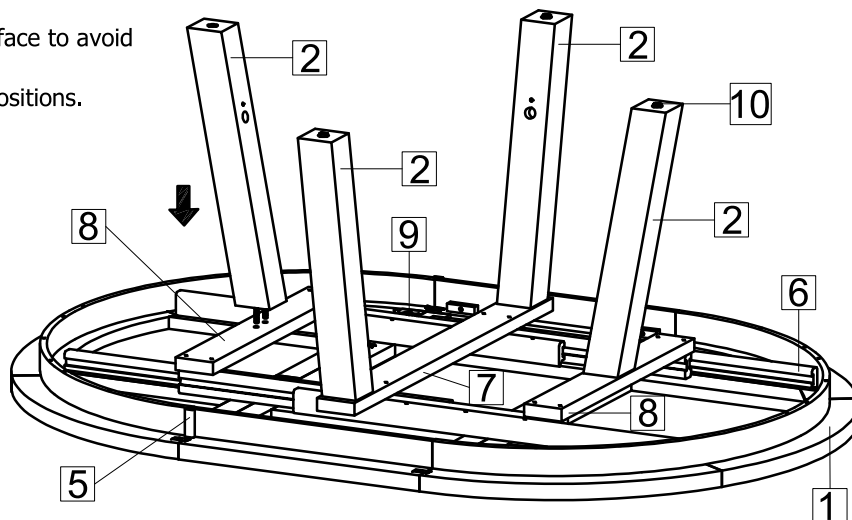
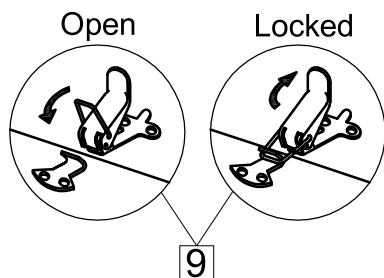
| Parts key |       |                                 | Hardware Kit |  |  |        |
|-----------|-------|---------------------------------|--------------|--|--|--------|
| No        | Qty   | Description                     | No           | Description  |  | Qty    |
| 1         | 1 pc  | Table Top                       | A            |  Bolt $\varnothing 7.8 \times 50$             |  | 4 pcs  |
| 2         | 4 pcs | Leg - Counter Height            | B            |  Bolt $\varnothing 7.8 \times 40$             |  | 1 pc   |
| 3         | 1 pc  | Lower Stretcher- Counter Height | C            |  Hex Nut $\varnothing 8$                      |  | 8 pcs  |
| 4         | 1 pc  | Upper Stretcher- Counter Height | D            |  Semi lunar washer $\varnothing 8 \times 30$  |  | 4 pcs  |
| 5         | 4 pcs | Apron Spacer                    | E            |  Lock washer $\varnothing 8$                  |  | 13 pcs |
| 6         | 2 pcs | Extension Mechanism             | F            |  Small Flat washer $\varnothing 8 \times 18$  |  | 1 pc   |
| 7         | 1 pc  | Mounting board - Long           | G            |  Small Flat washer $\varnothing 10 \times 22$ |  | 8 pcs  |
| 8         | 2 pcs | Mounting board - Short          | H            |  Allen Key K4                                |  | 1 pc   |
| 9         | 4 pcs | Extension Lock                  | I            |  Wrench 12                                    |  | 1 pc   |
| 10        | 4 pcs | Leveler                         |              |  |  |        |

**PLEASE NOTE:** Assembly requires two people. Follow directions step by step.  
Do not use power tools to assemble

**Step:01** - Put the 2 stretchers (3 & 4) together using the small flat washer (F), lock washer (E) and short bolt (B) as shown.

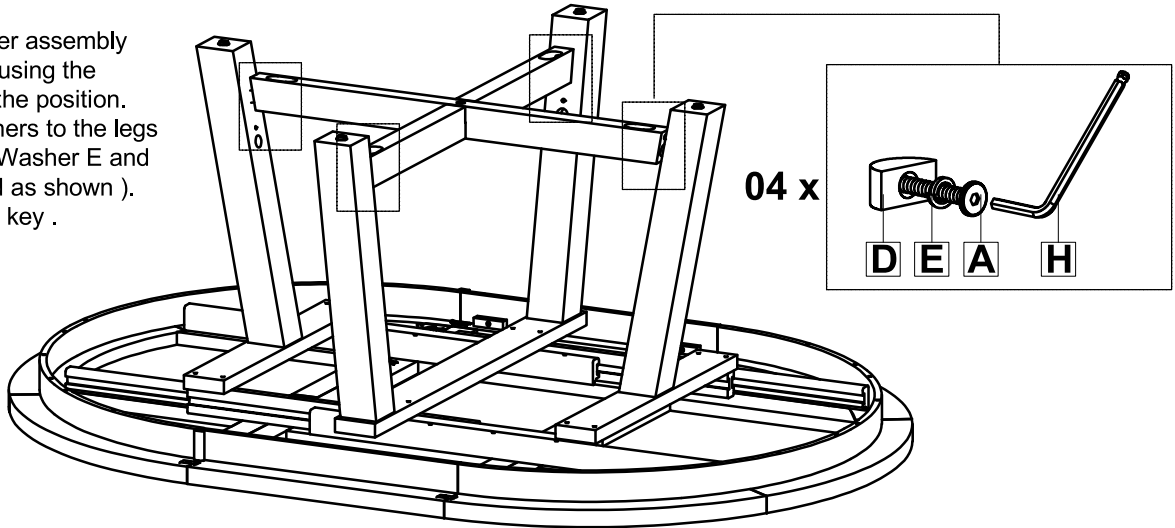


**Step:02**  
- Carefully place the top on smooth flat surface to avoid scratches.  
- Attach the table legs to the appropriate positions.



**Step:03**

-Insert the stretcher assembly between the legs using the dowels to line up the position.  
-Attach the stretchers to the legs with Bolt B, Lock Washer E and washer D ( placed as shown ).  
Tighten with Allen key .



**Step:04**

- Attach the legs to the mounting boards with a Flat Washer G, Lock Washer E and Nut C using the wrench provided.  
- Before turning the table over for use, make sure that the legs are tight and the table extension locks holding the leaf are locked.

