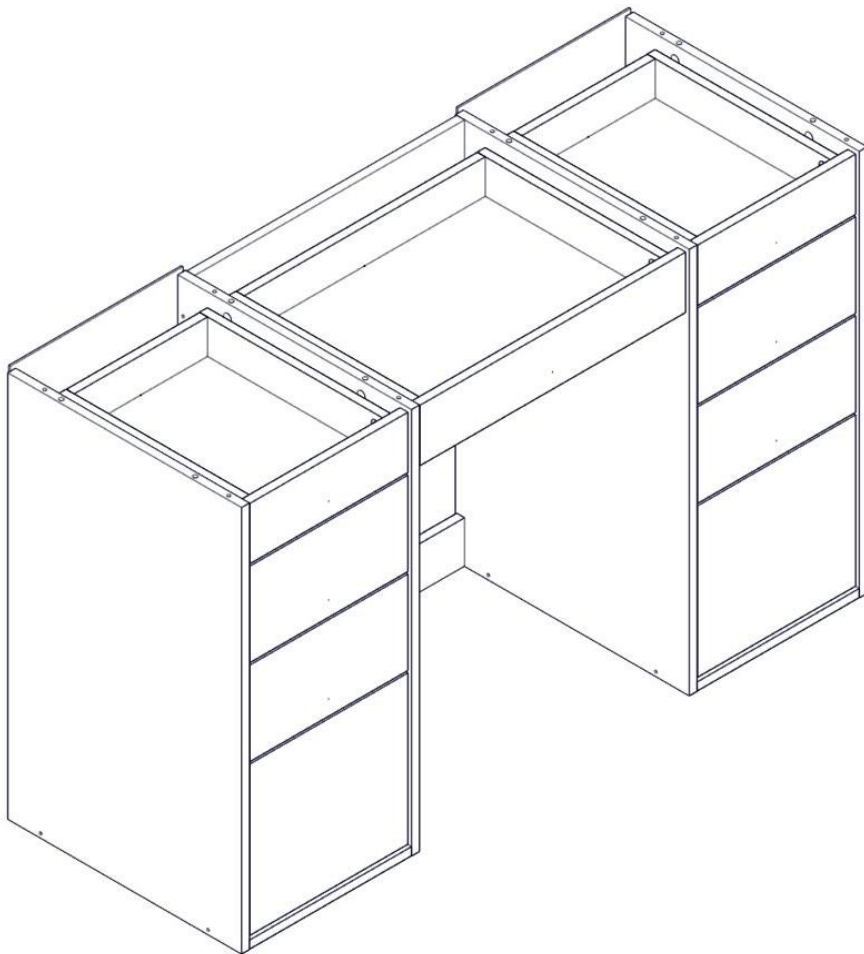


Assembly Instructions

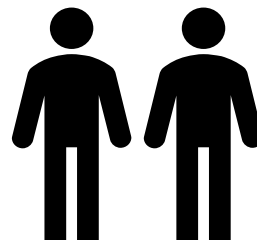
Assembly instructions

Warning -CHOKING HAZARD - Small Parts Not for children under 3 years. Adult assembly required.



Images for illustrative purposes only.

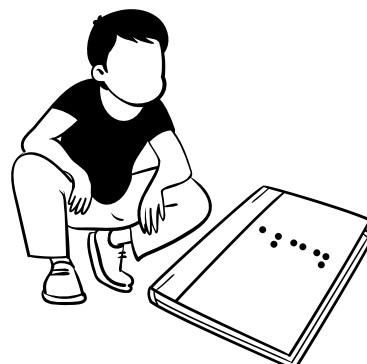
The assembly must be done by 2 people.

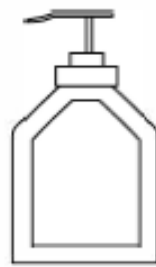


Tools needed to assemble the furniture.

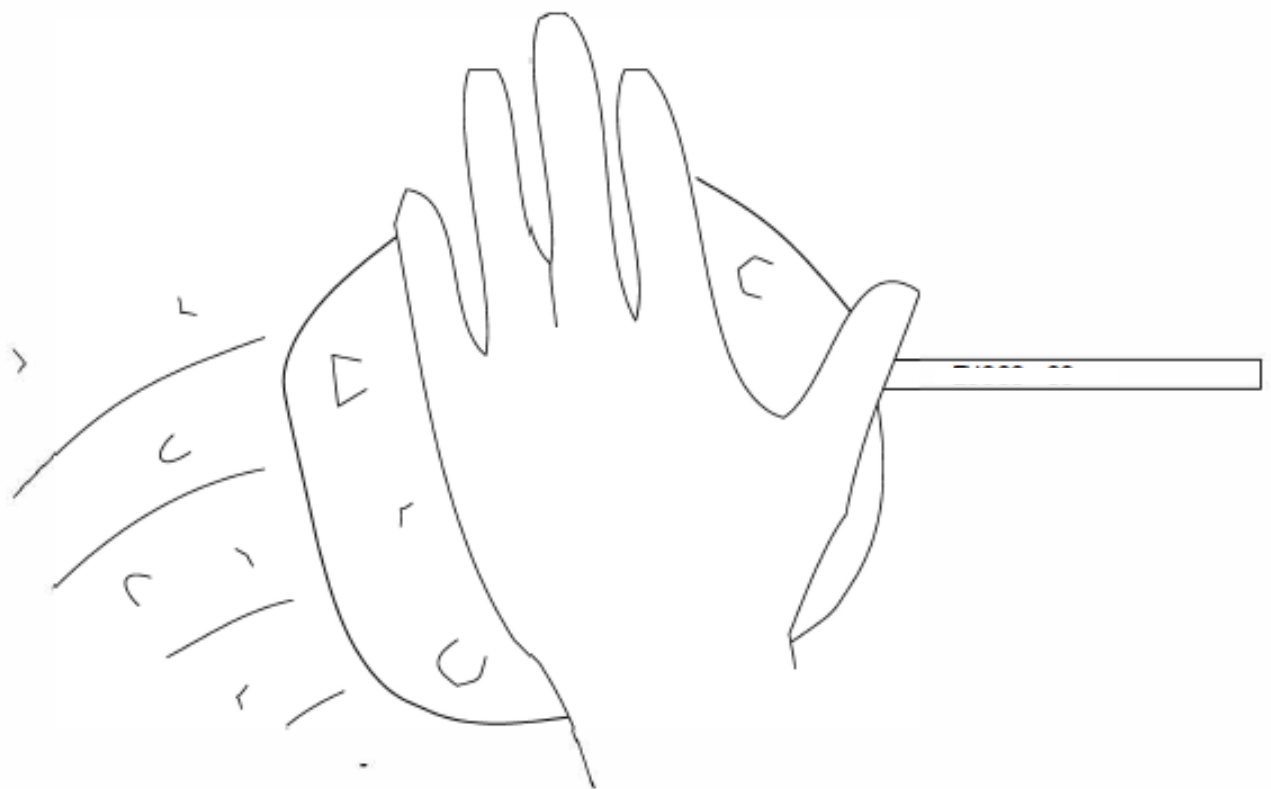


Assemble the furniture on a clean, flat surface.





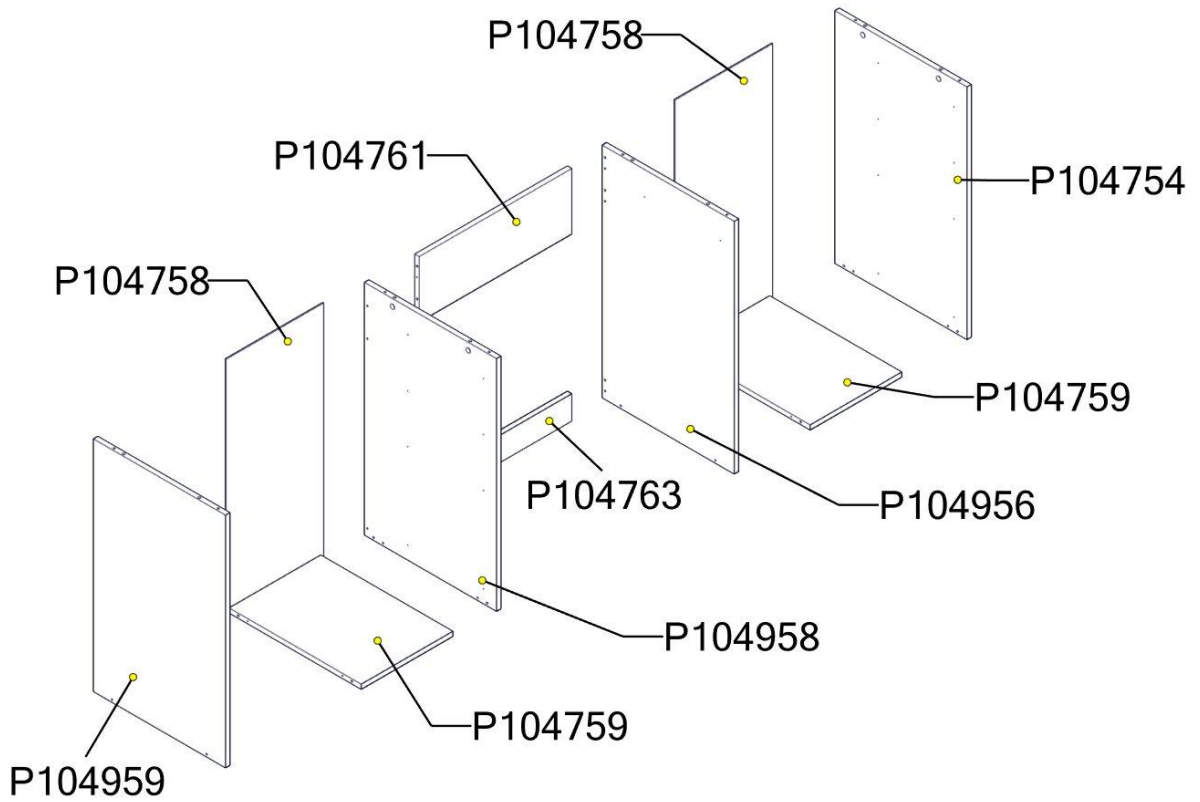
To Remove the printed number, apply a small amount of Glass Cleaner or Hand sanitizer and wipe with a paper towel.



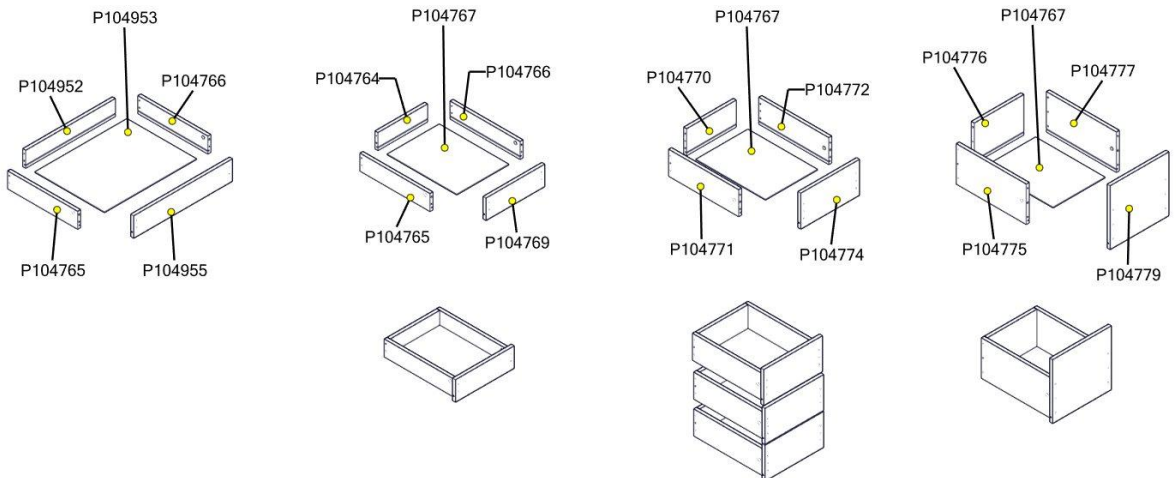
**IDENTIFICAÇÃO DAS PEÇAS / IDENTIFICACIÓN DE LAS PIEZAS PARTS
IDENTIFICATION**

QTD.	CÓDIGO / CODE	DESCRIÇÃO (Internal production data)	Description	C x L x E	L x W x T
1	P104754	LATERAL DIREITA	RIGHT SIDE	740 x 447 x 15 mm	29.13 x 17.60 x 0.59 in
2	P104758	COSTA	REAR PANEL	743 x 330 x 3 mm	29.25 x 12.99 x 0.12 in
2	P104759	BASE	BASE	310 x 447 x 15 mm	12.20 x 17.60 x 0.59 in
1	P104761	REFORÇO	REINFORCEMENT	516 x 192 x 15 mm	20.31 x 7.56 x 0.59 in
1	P104763	RODAPE	BASEBOARD	516 x 80 x 15 mm	20.31 x 3.15 x 0.59 in
2	P104764	CABECEIRA DE GAVETA	DRAWER HEAD	255 x 80 x 15 mm	10.04 x 3.15 x 0.59 in
3	P104765	LATERAL DE GAVETA ESQ.	LEFT DRAWER SIDE	360 x 80 x 15 mm	14.17 x 3.15 x 0.59 in
3	P104766	LATERAL DE GAVETA DIR.	RIGHT DRAWER SIDE	360 x 80 x 15 mm	14.17 x 3.15 x 0.59 in
8	P104767	FUNDO DE GAVETA	DRAWER BOTTOM	268 x 358 x 3 mm	10.55 x 14.09 x 0.12 in
2	P104769	FRENTE DE GAVETA	DRAWER FRONT	302 x 100 x 15 mm	11.89 x 3.94 x 0.59 in
4	P104770	CABECEIRA DE GAVETA	DRAWER HEAD	255 x 120 x 15 mm	10.04 x 4.72 x 0.59 in
4	P104771	LATERAL DE GAVETA ESQ.	LEFT DRAWER SIDE	360 x 120 x 15 mm	14.17 x 4.72 x 0.59 in
4	P104772	LATERAL DE GAVETA DIR.	RIGHT DRAWER SIDE	360 x 120 x 15 mm	14.17 x 4.72 x 0.59 in
4	P104774	FRENTE DE GAVETA	DRAWER FRONT	302 x 160 x 15 mm	11.89 x 6.30 x 0.59 in
2	P104775	LATERAL DE GAVETA ESQUERDA	LEFT DRAWER SIDE	360 x 180 x 15 mm	14.17 x 7.09 x 0.59 in
2	P104776	CABECEIRA DE GAVETA	DRAWER HEAD	255 x 180 x 15 mm	10.04 x 7.09 x 0.59 in
2	P104777	LATERAL DE GAVETA DIREITA	DRAWER RIGH SIDE	360 x 180 x 15 mm	14.17 x 7.09 x 0.59 in
2	P104779	FRENTE DE GAVETA	DRAWER FRONT	302 x 284 x 15 mm	11.89 x 11.18 x 0.59 in
1	P104952	CABECEIRA DE GAVETA	DRAWER HEAD	461 x 80 x 15 mm	18.15 x 3.15 x 0.59 in
1	P104953	FUNDO DE GAVETA	DRAWER BOTTOM	474 x 358 x 3 mm	18.66 x 14.09 x 0.12 in
1	P104955	FRENTE DE GAVETA	DRAWER FRONT	508 x 100 x 15 mm	20.00 x 3.94 x 0.59 in
1	P104956	DIVISÓRIA	DIVISION	740 x 447 x 15 mm	29.13 x 17.60 x 0.59 in
1	P104958	DIVISÓRIA	DIVISION	740 x 447 x 15 mm	29.13 x 17.60 x 0.59 in
1	P104959	LATERAL ESQUERDA	LEFT SIDE	740 x 447 x 15 mm	29.13 x 17.60 x 0.59 in

Mobile



Drawers



IDENTIFICATION OF ACCESSORIES

NOTE: Separating the accessories before starting assembly will make it easier. In case of doubt in the identification, place the accessory on the ruler.

	QTD.	CÓDIGO / CODE	DESCRIÇÃO (Internal production data)	DESCRIPTION
	40	000107	PREGO 10 X 10	NAIL 10 X 10
	9	000108	PREGO 12 X 12	NAIL 12 X 12
	2	001178	P.FLANGE 3,5 X 16 CAB. PHILLIPS BC	SCREW 3,5 X 16
	80	001802	CAVILHAS DE MADEIRA 6X30 PINUS	DOWEL 6X30MM
	9	001901	SAPATA DESLIZADORA PRETA 15 X 6	SHOE 15 X 6
	72	004214	P.CHATO 3,5 X 14 CAB. PHILLIPS REBAIXADA ZB	SCREW 3,5 X 14MM
	19	005256	P.CHATO 4,0 X 20 CAB. PHILLIPS ZB/BC	FLAT SCREW 4,0 X 20 BC
	19	018458	SUPORTE TRIANGULAR PRETO	TRIANGLE SUPPORT
	16	025827	P.FLANGE 3,5 X 14 CAB. PHILLIPS ZB/BC	SCREW 3,5 X 12
	19	030945	PARAFUSO DE ACO P/ MINIFIX	MINIFIX DOWEL

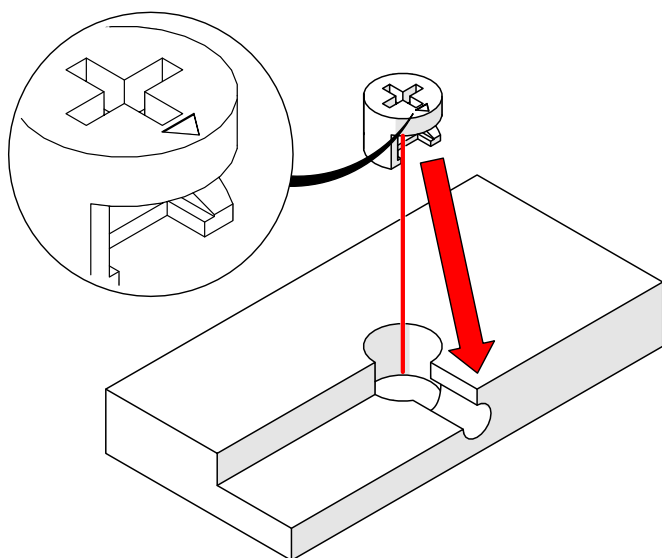
IDENTIFICATION OF ACCESSORIES

NOTE: Separating the accessories before starting assembly will make it easier. In case of doubt in the identification, place the accessory on the ruler.

	19	030950	TAMBOR P/ MINIFIX 15MM ZAMAQ	MINIFIX CAM 15MM
	2	032069	BUCHA PARA GESSO FLY	FIXING BUSHING FOR PLASTER
	2	051980	P.CHATO 4,5 X 50 BC	P.CHATO 4,5 X 50 BC
	2	055606	SUP. P/ FIXACAO DE PAREDE (EUA)	FIXATION SUPPORT
	1	055607	ABRACADEIRA NYLON 300 MM	NYLON CLAMP 300 MM
	1	058788	CHAVE ALLEN Z 3X40MM ZB/BC	ALLEN WRENCH
	8	PX	PUX. STILE ALFA 70MM	DOOR HANDLE 70MM
	33	075515	P.ESTRUTURAL 5 X 40 CAB. 13 ALLEN 3 C/PONTA ZB/BC	SCREW 5 X 40
	9	CRM350	CORREDICA 350MM	SLIDING DRAWER SYSTEM
	8	13MM	TAPA FURO 13MM	SCREW CAP COVER 13MM
	18	19MM	TAPA FURO 19MM	SCREW CAP COVER 19MM

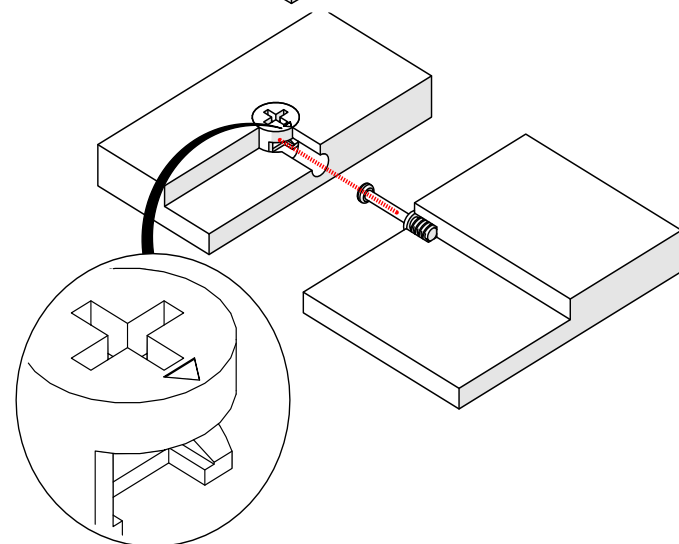
INSTALLING CAM

Identify arrow on head of cam. Arrow MUST point toward hole in edge of panel. Push cam all the way down into hole.



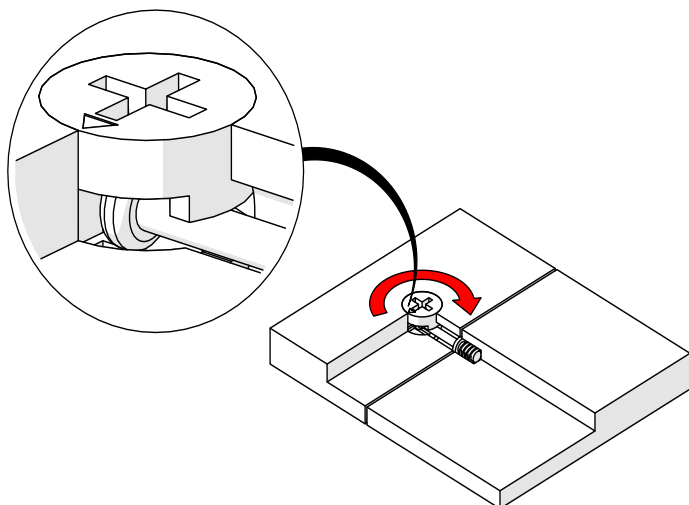
CAM AND DOWEL ALIGNMENT

Ensure the arrow on the cam points toward hole and insert cam dowel into hole. Make sure pieces join together.

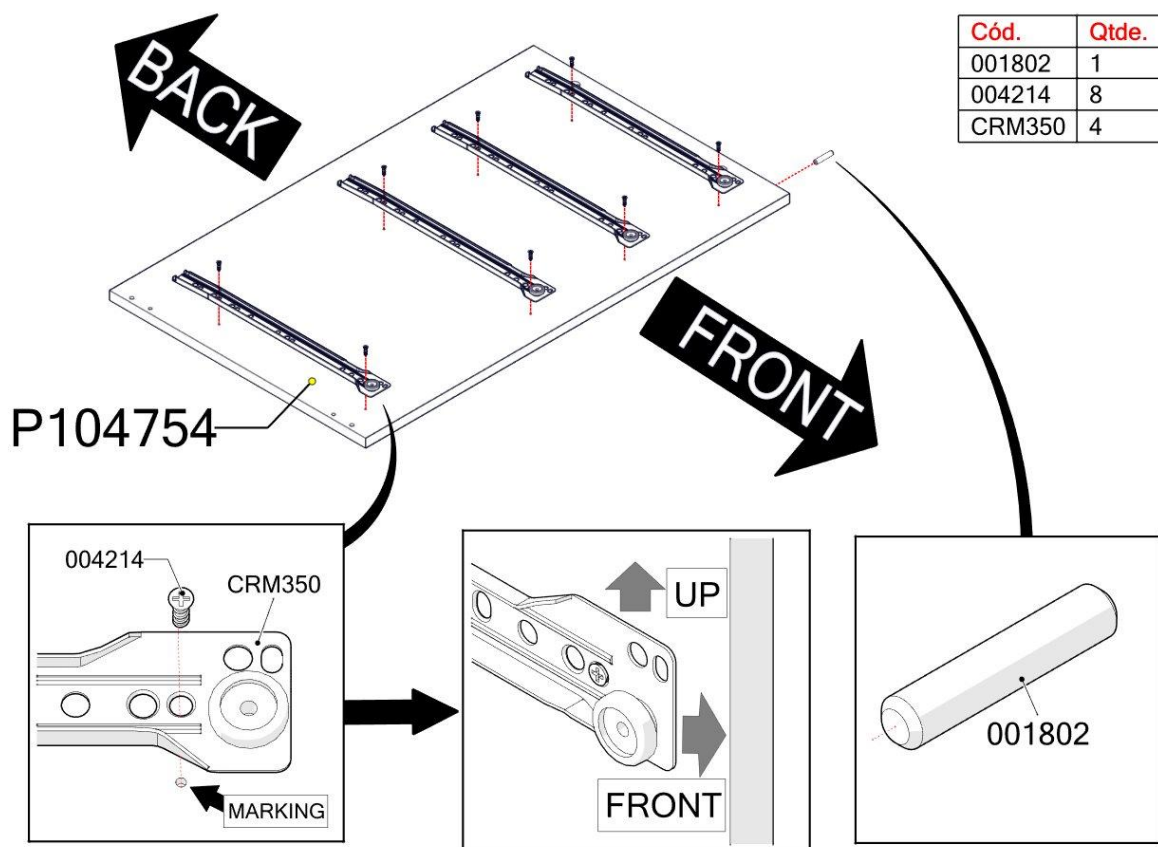


TIGHTENING CAM

Use screwdriver to turn cam. Turn cam (clockwise) until fully tightened. Slightly more than half a turn.

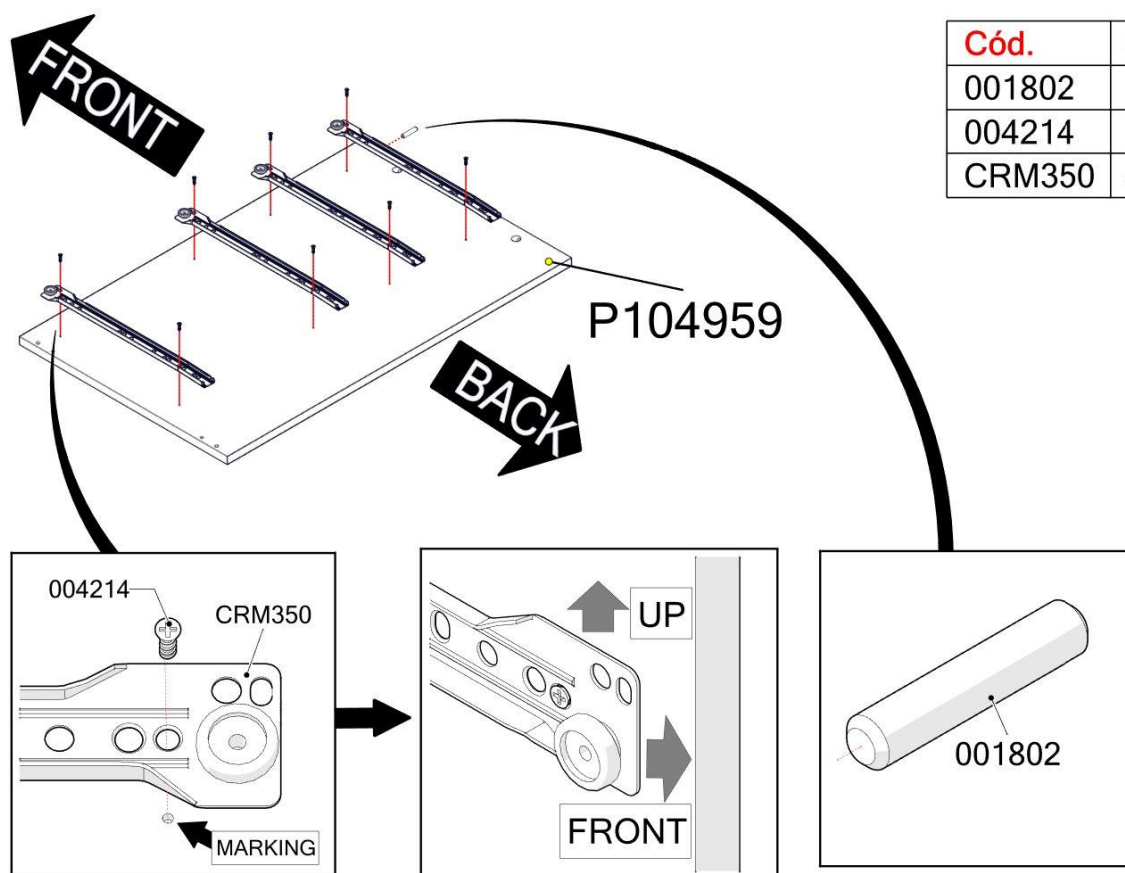


STEP 1



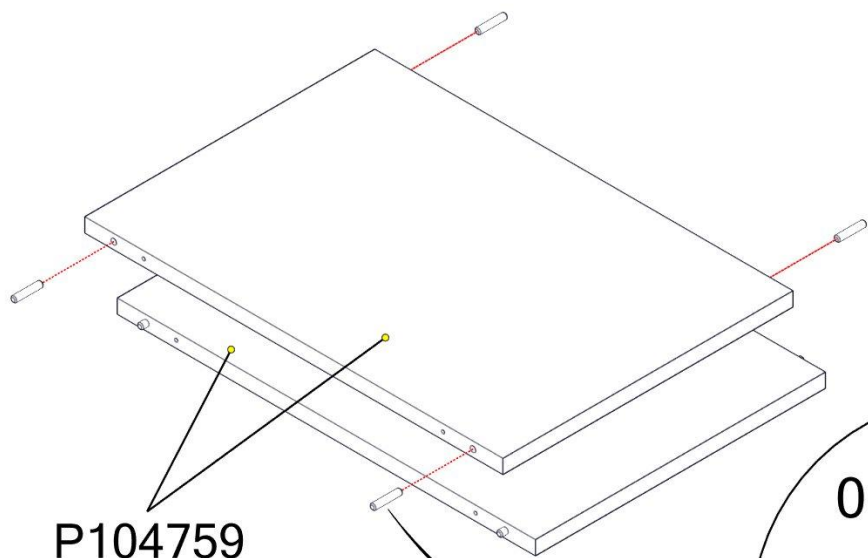
Cód.	Qtde.
001802	1
004214	8
CRM350	4

STEP 2

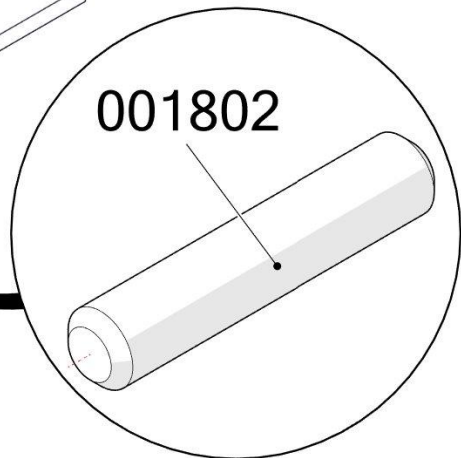


Cód.	Qtde.
001802	1
004214	8
CRM350	4

STEP 3



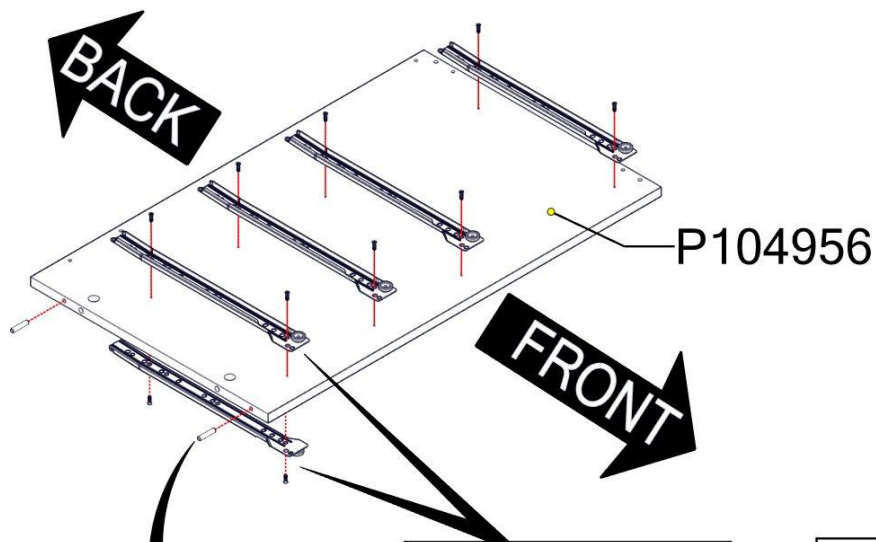
Cód.	Qtde.
001802	8



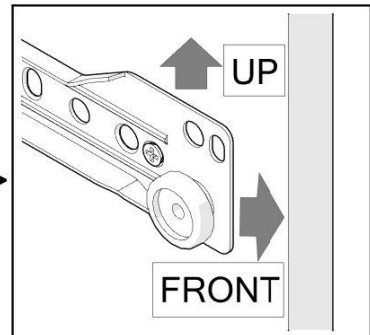
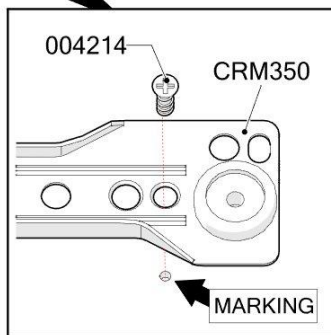
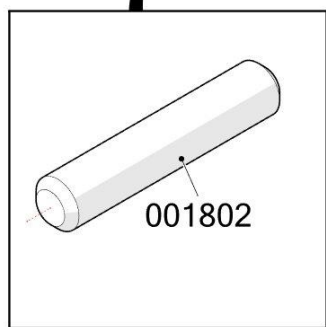
P104759

001802

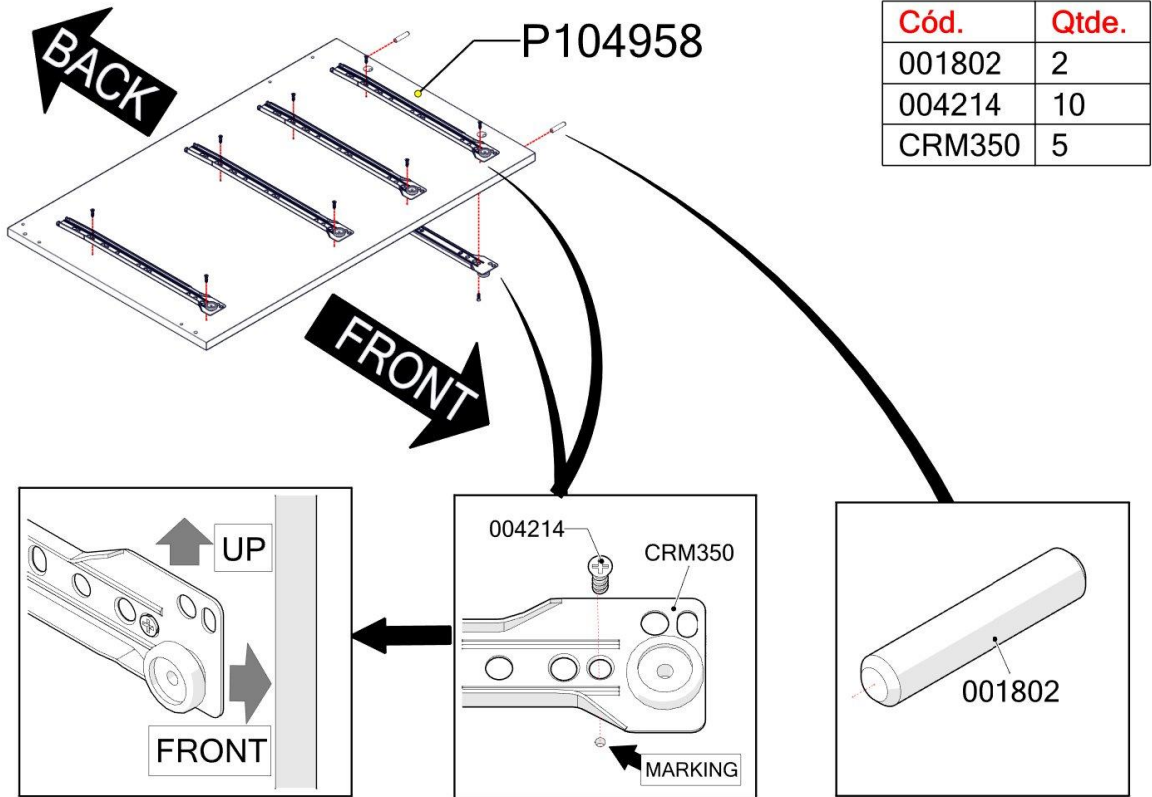
STEP 4



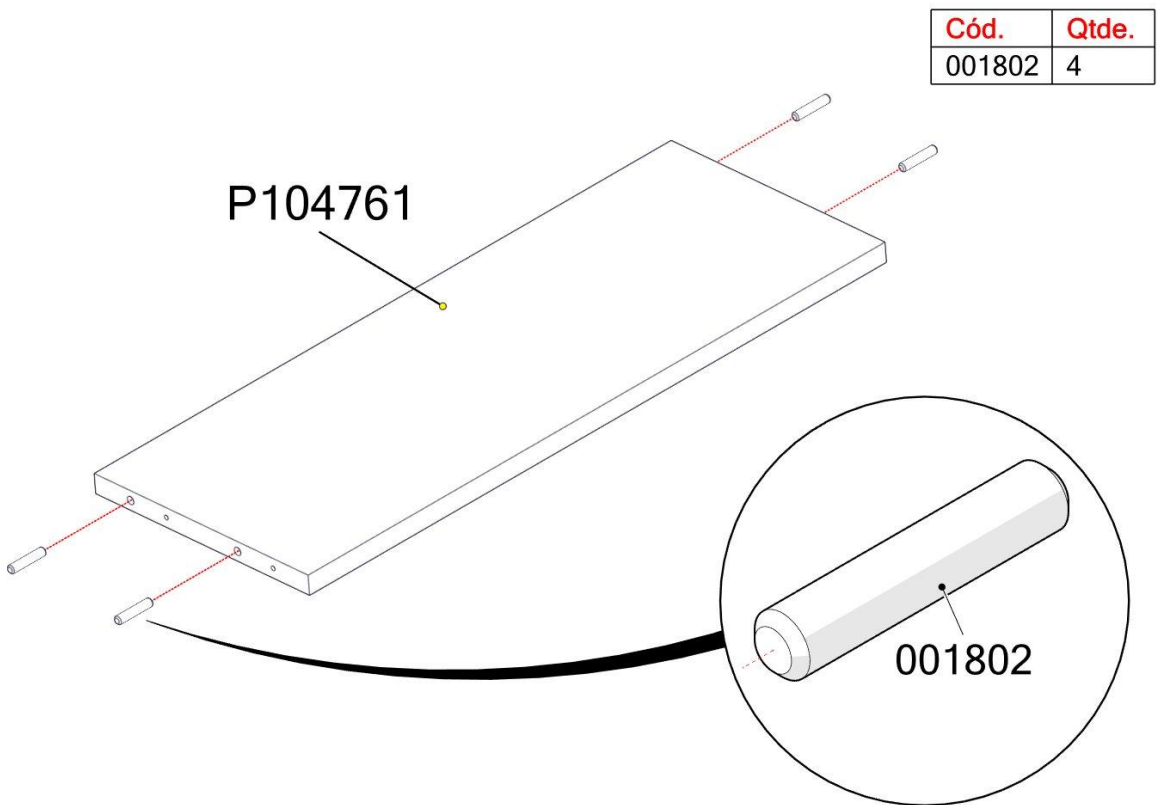
Cód.	Qtde.
001802	2
004214	10
CRM350	5



STEP 5

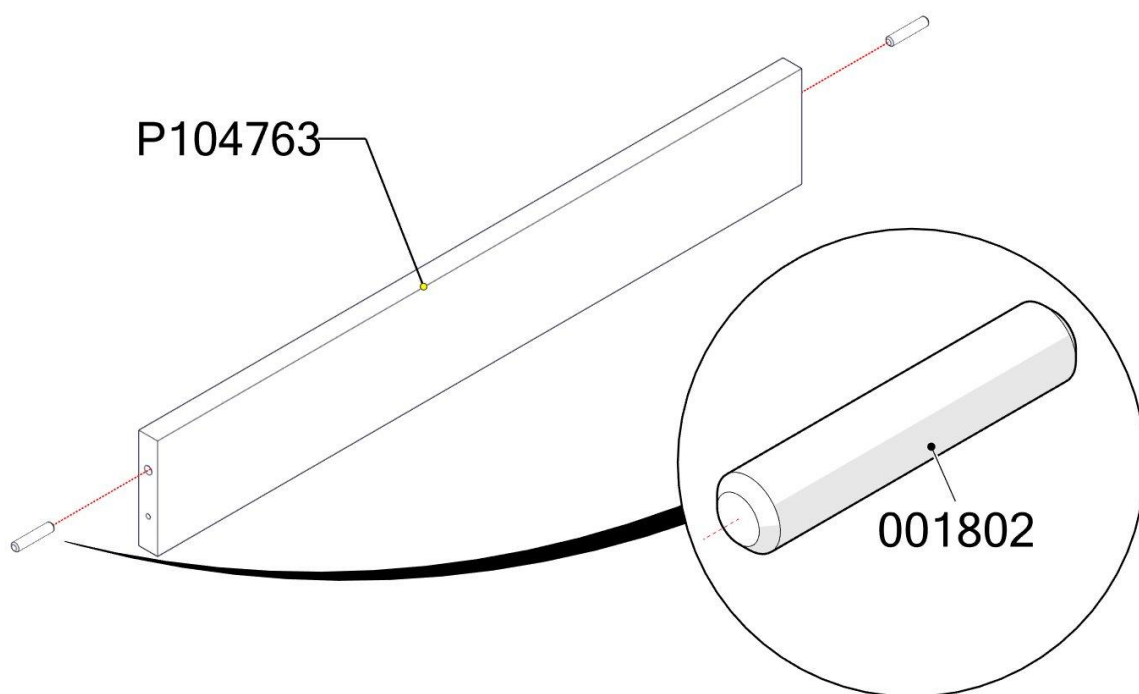


STEP 6



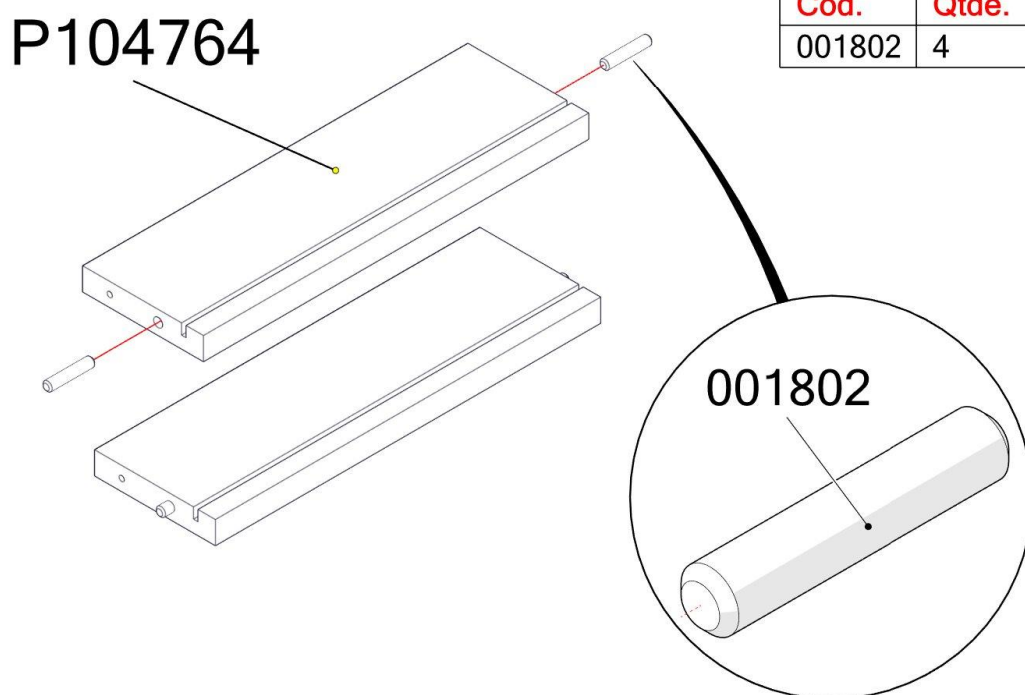
STEP 7

Cód.	Qtde.
001802	2

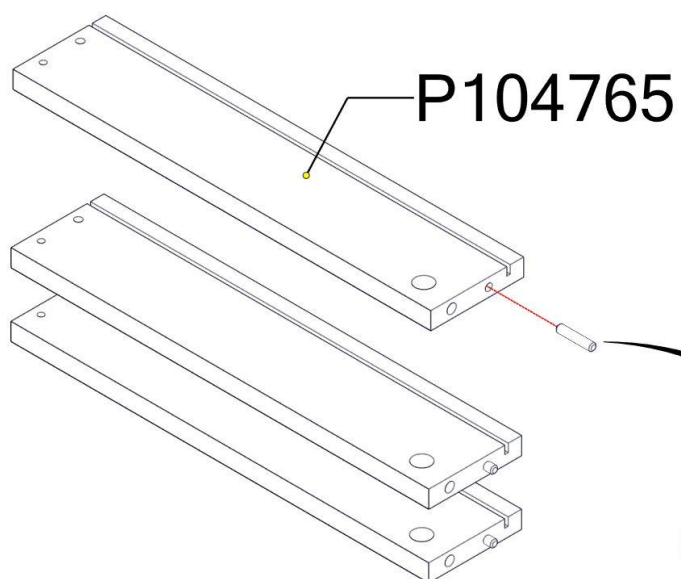


STEP 8

Cód.	Qtde.
001802	4

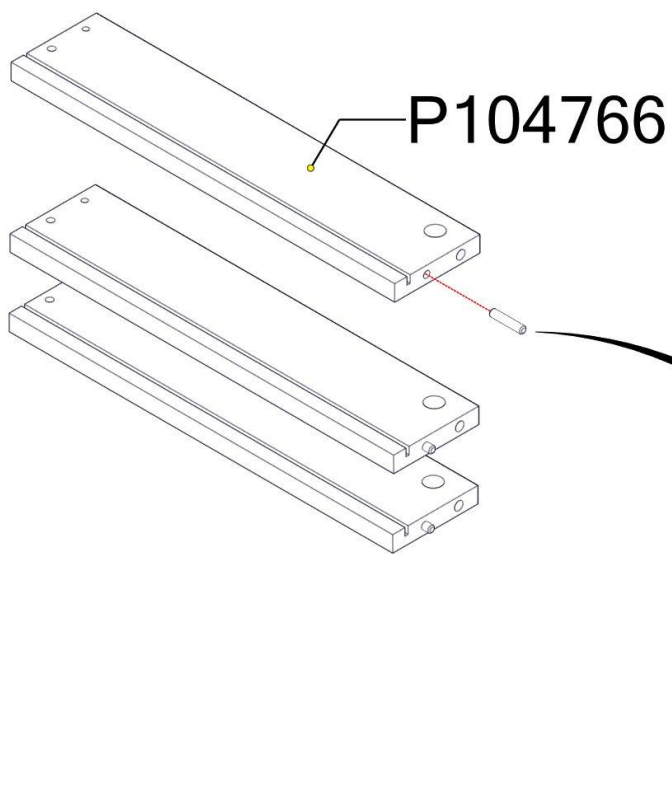


STEP 9



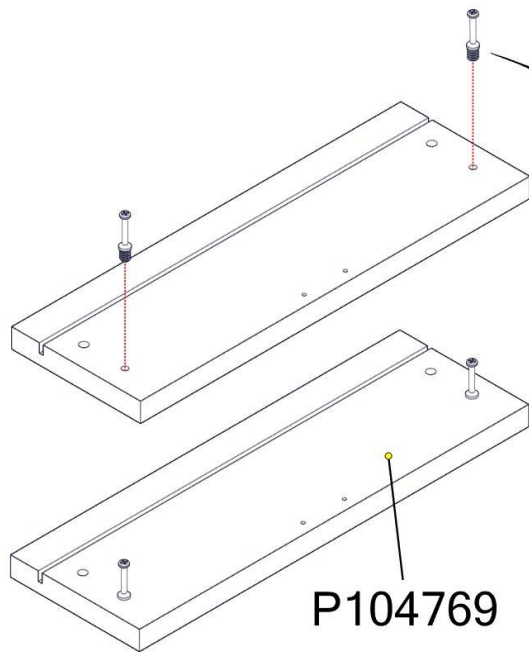
Cód.	Qtde.
001802	3

STEP 10

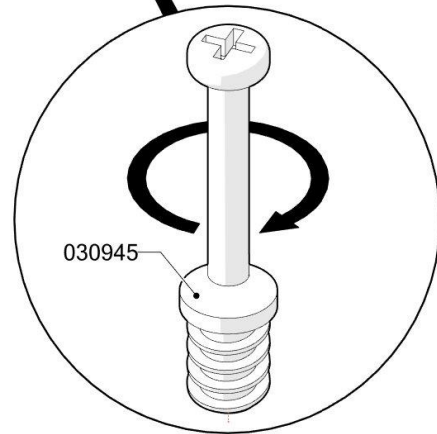


Cód.	Qtde.
001802	3

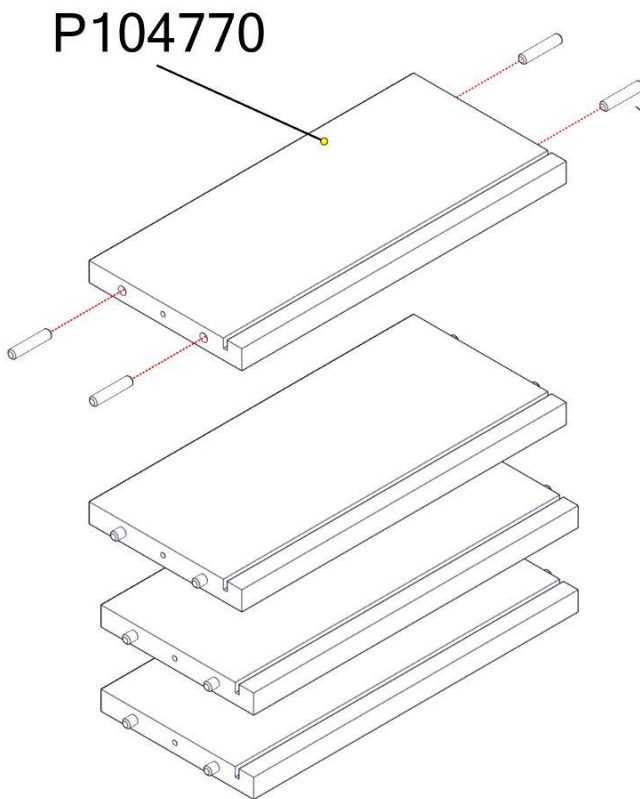
STEP 11



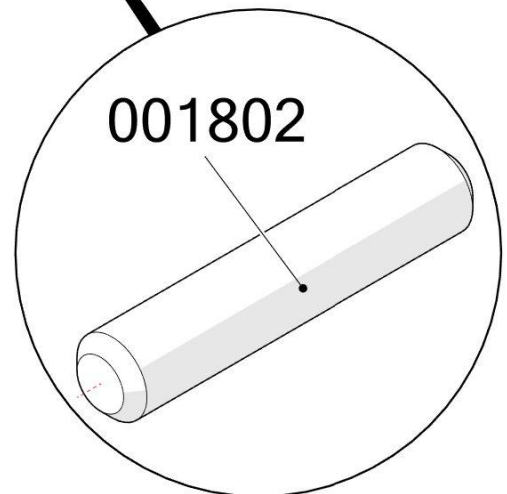
Cód.	Qtde.
030945	4



STEP 12

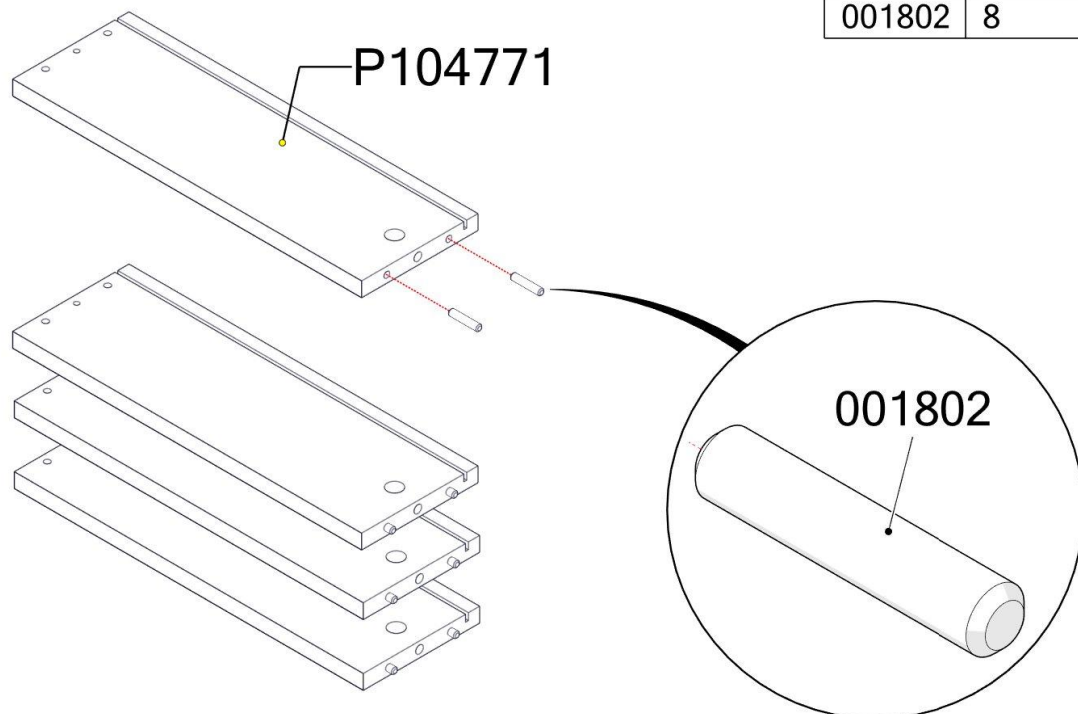


Cód.	Qtde.
001802	16



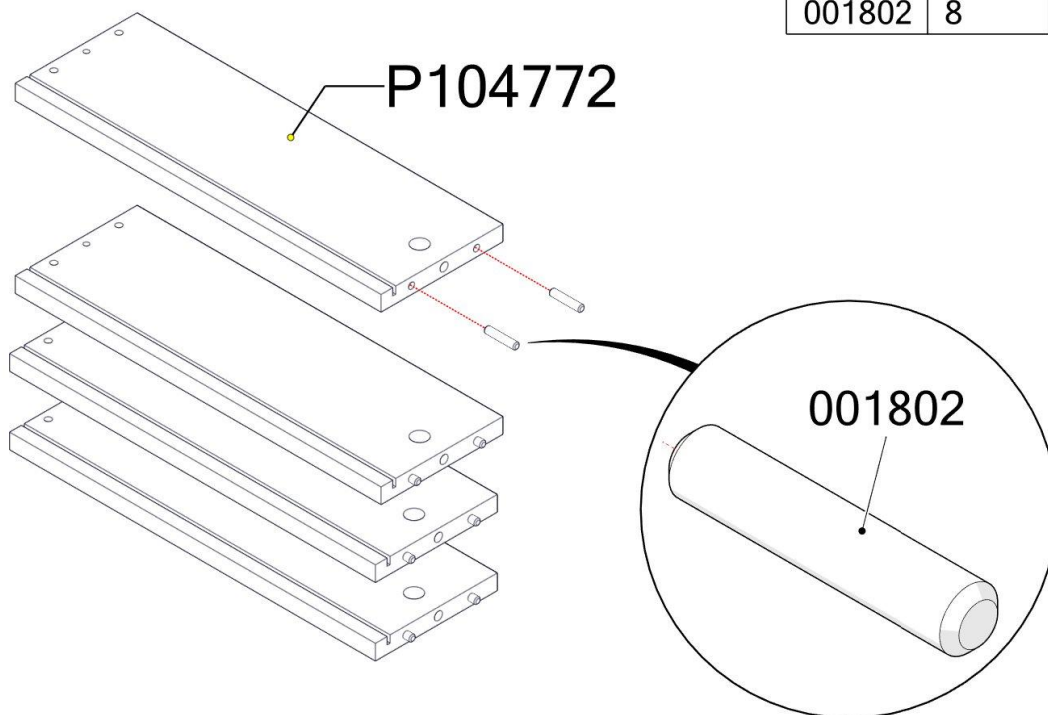
STEP 13

Cód.	Qtde.
001802	8



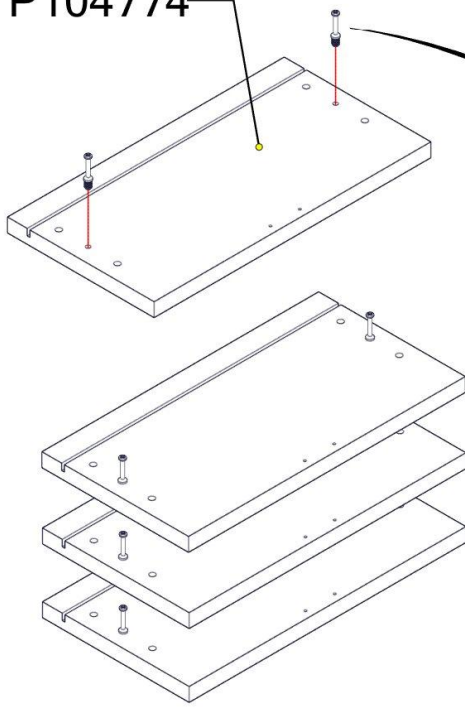
STEP 14

Cód.	Qtde.
001802	8

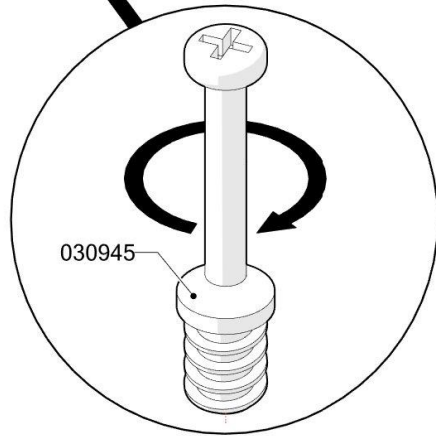


STEP 15

P104774

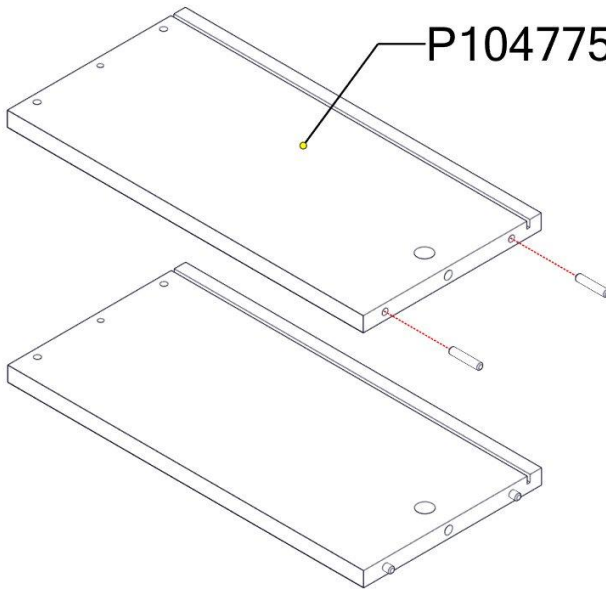


Cód.	Qtde.
030945	8

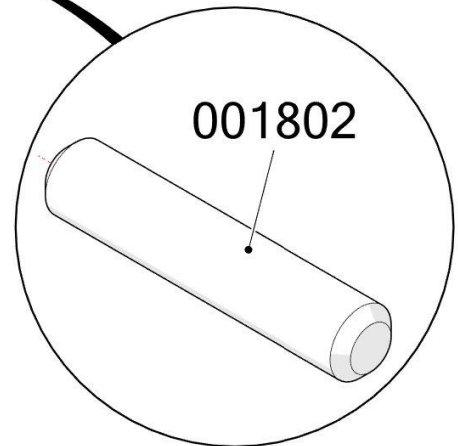


STEP 16

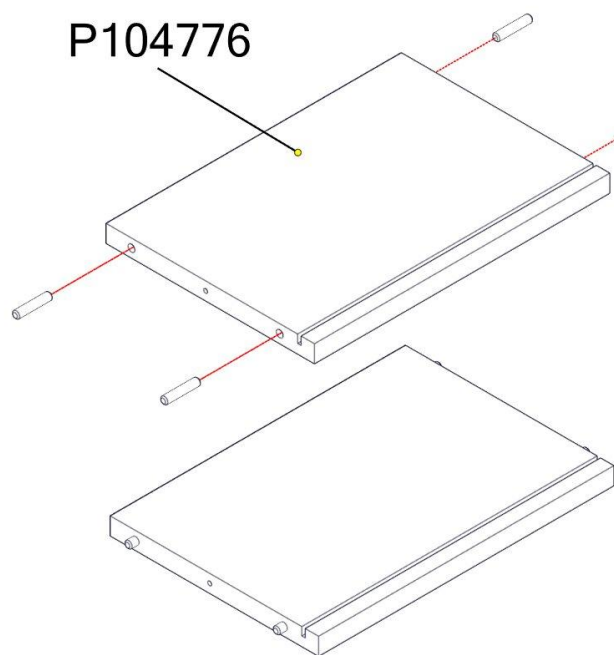
P104775



Cód.	Qtde.
001802	4

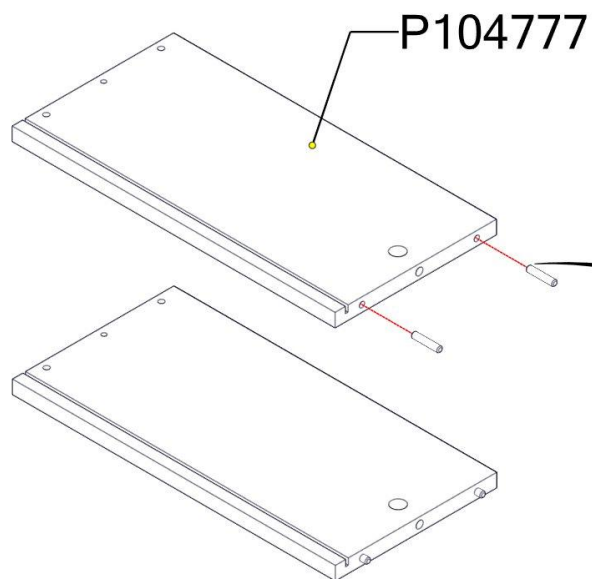


STEP 17



Cód.	Qtde.
001802	8

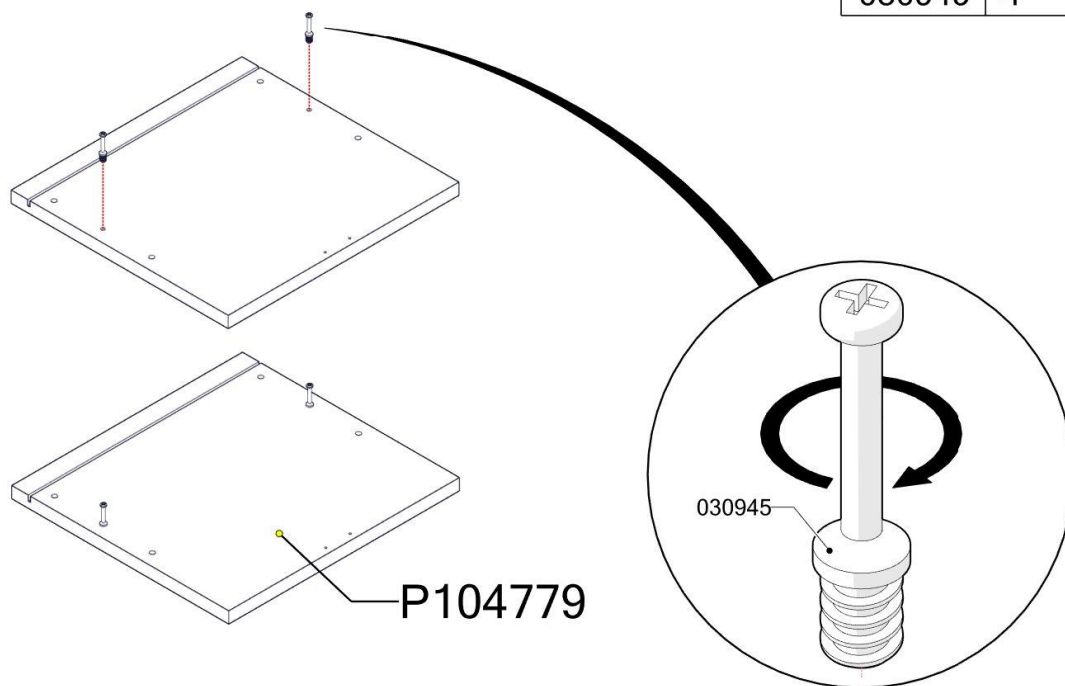
STEP 18



Cód.	Qtde.
001802	4

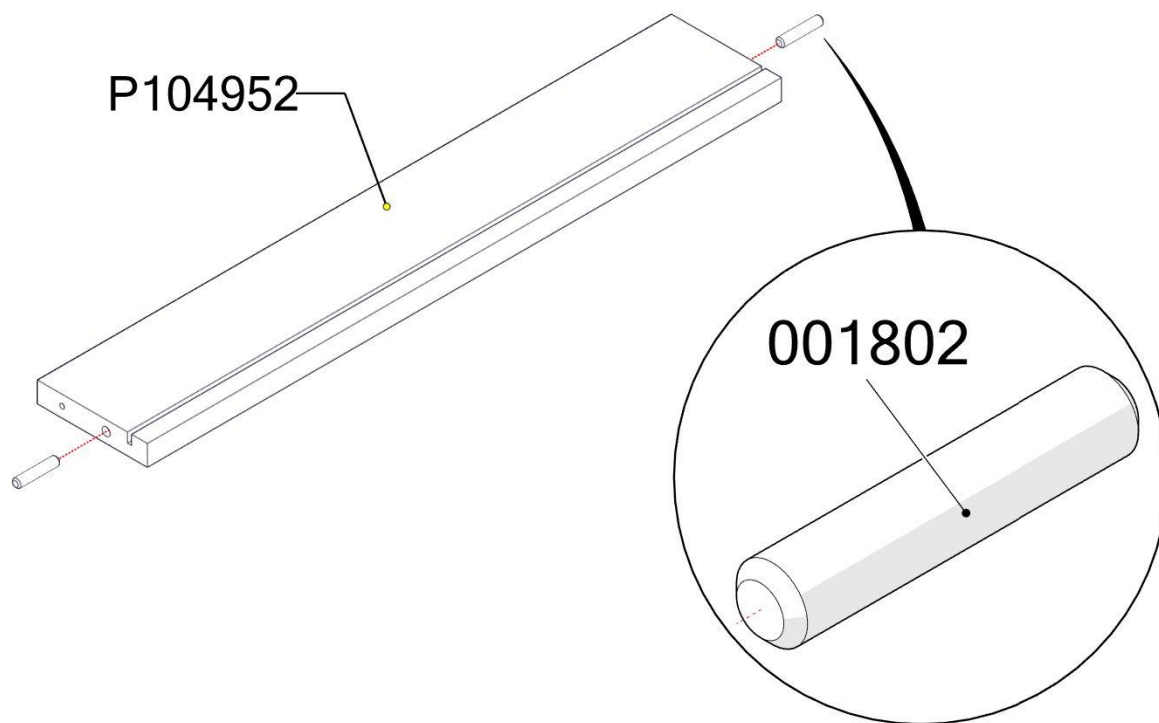
STEP 19

Cód.	Qtde.
030945	4



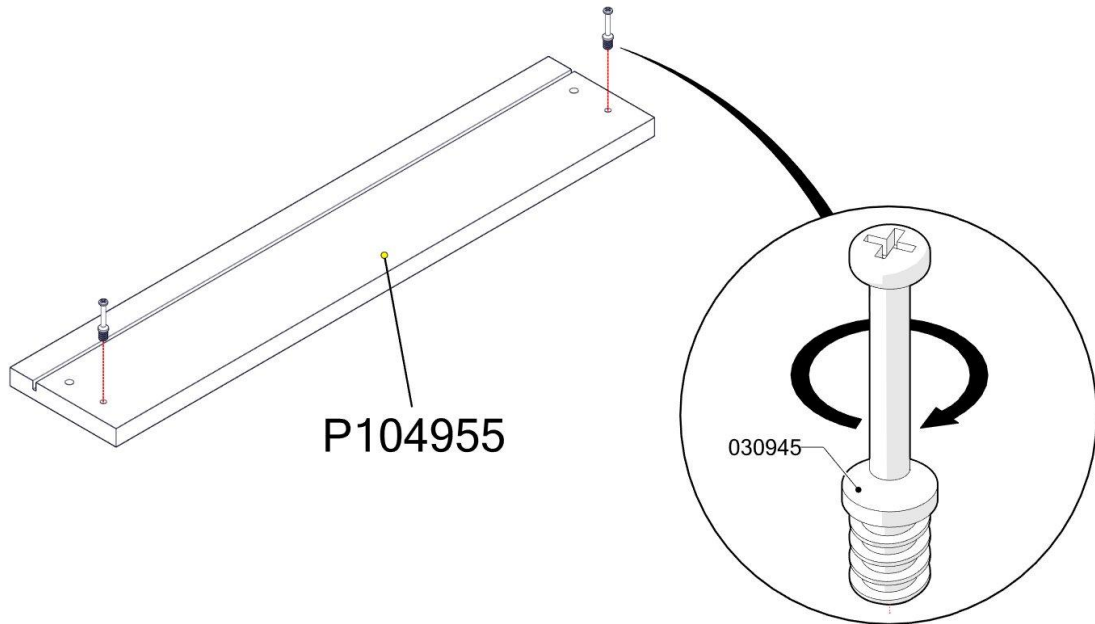
STEP 20

Cód.	Qtde.
001802	2



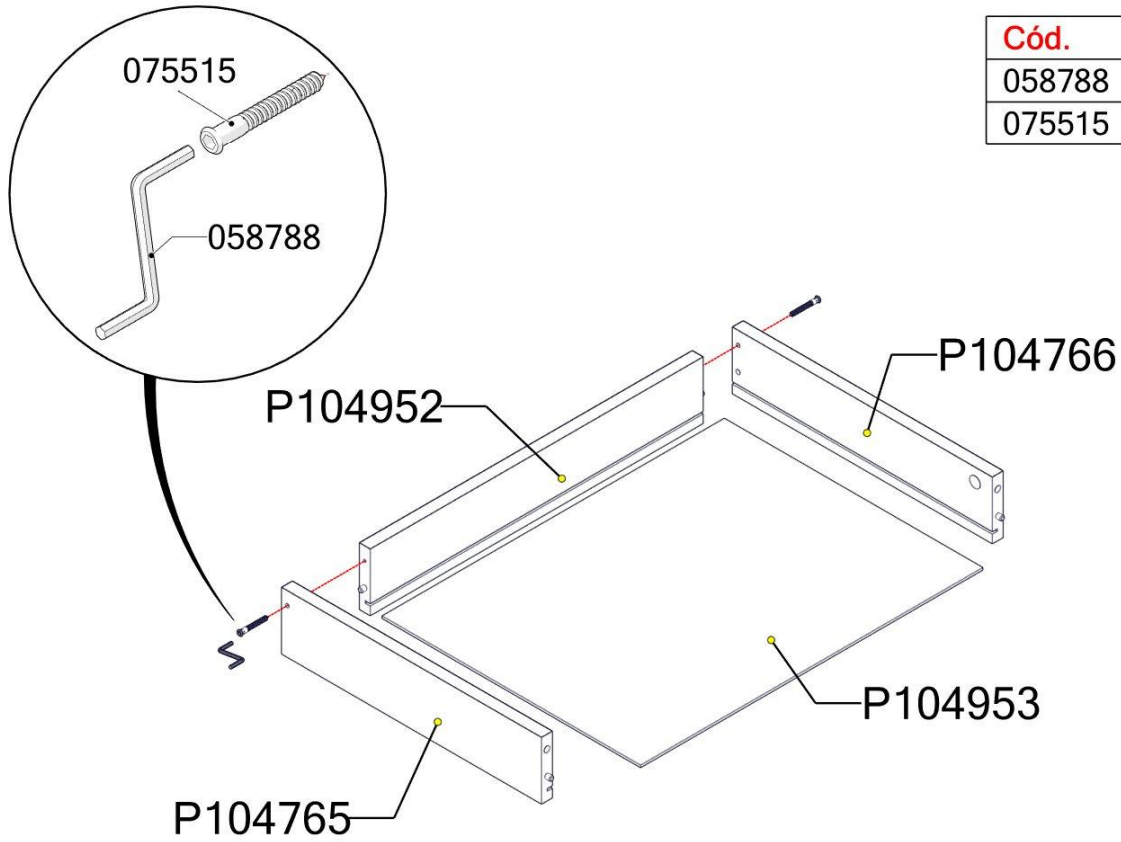
STEP 21

Cód.	Qtde.
030945	2



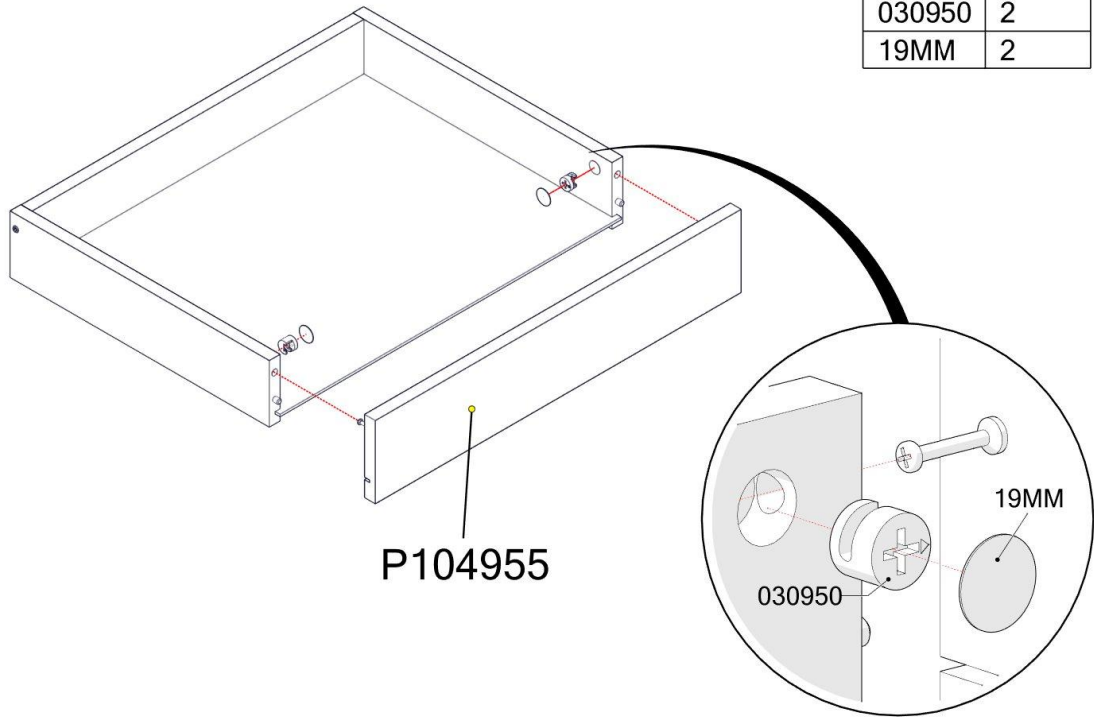
STEP 22

Cód.	Qtde.
058788	1
075515	2



STEP 23

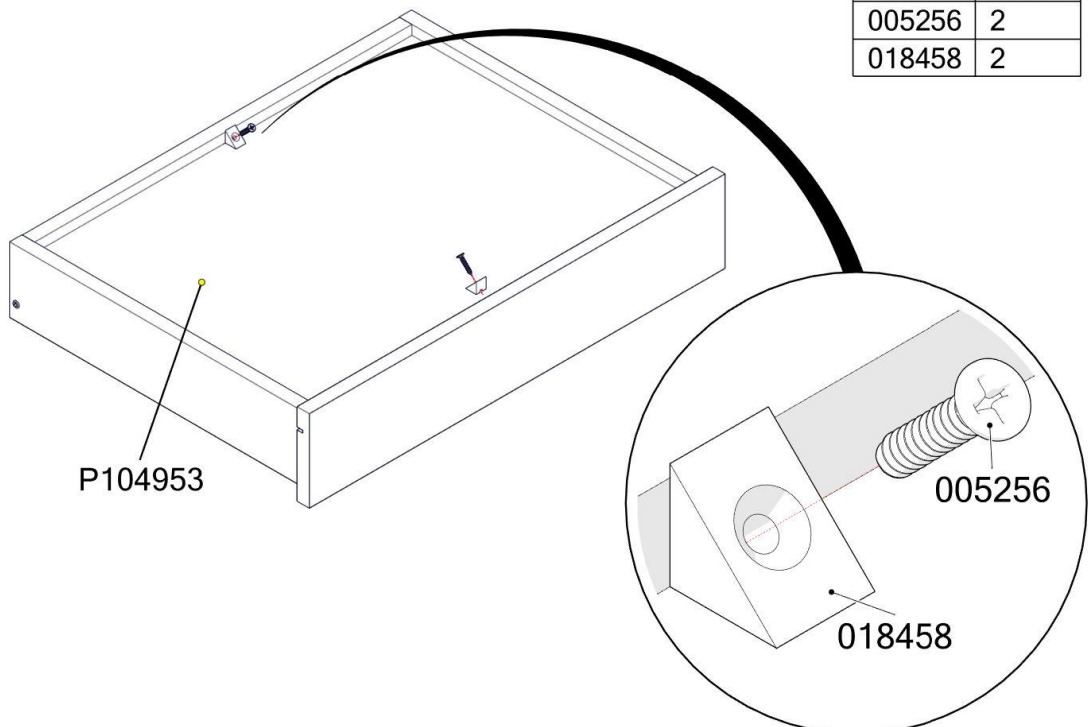
Cód.	Qtde.
030950	2
19MM	2



STEP 24

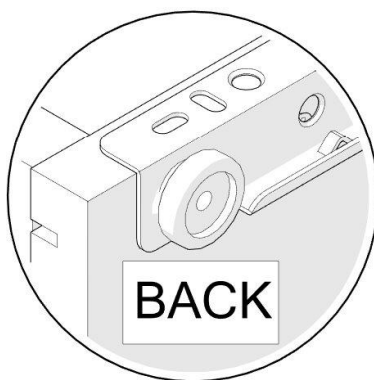
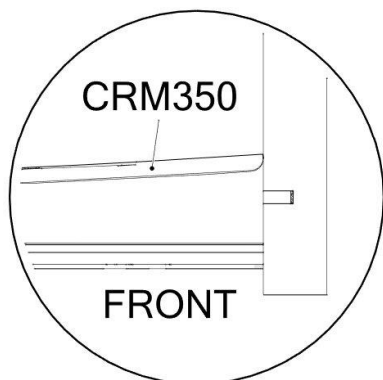
Place 018458 central on the bottom of the drawer

Cód.	Qtde.
005256	2
018458	2

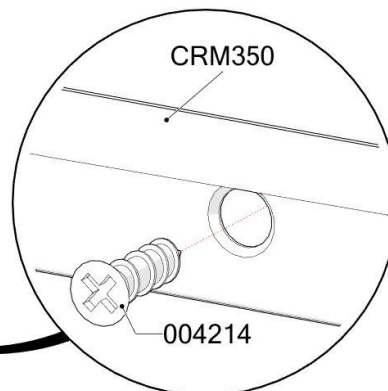
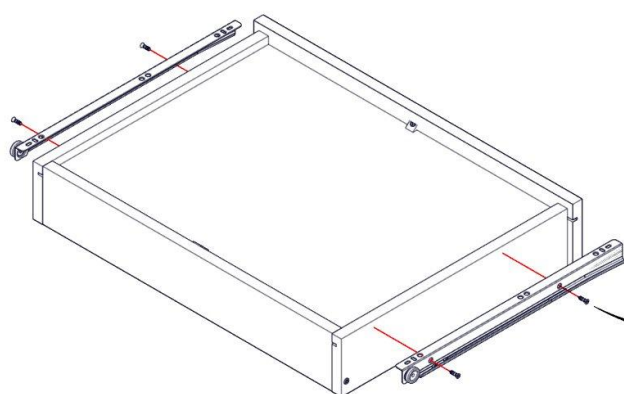


Rails should be flush to the front of drawer

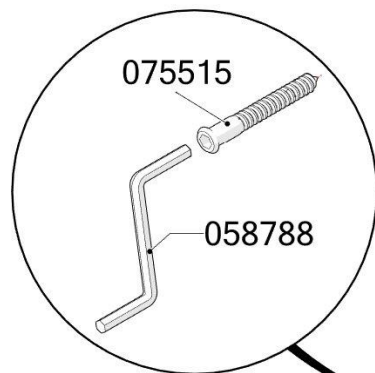
STEP 25



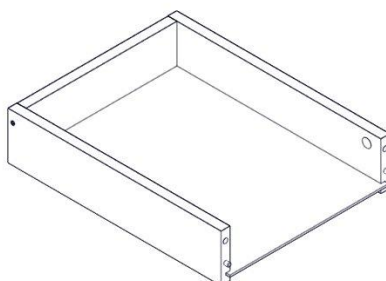
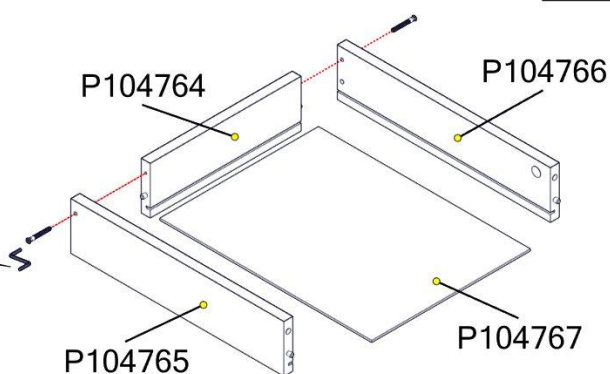
Cód.	Qtde.
004214	4
CRM350	2



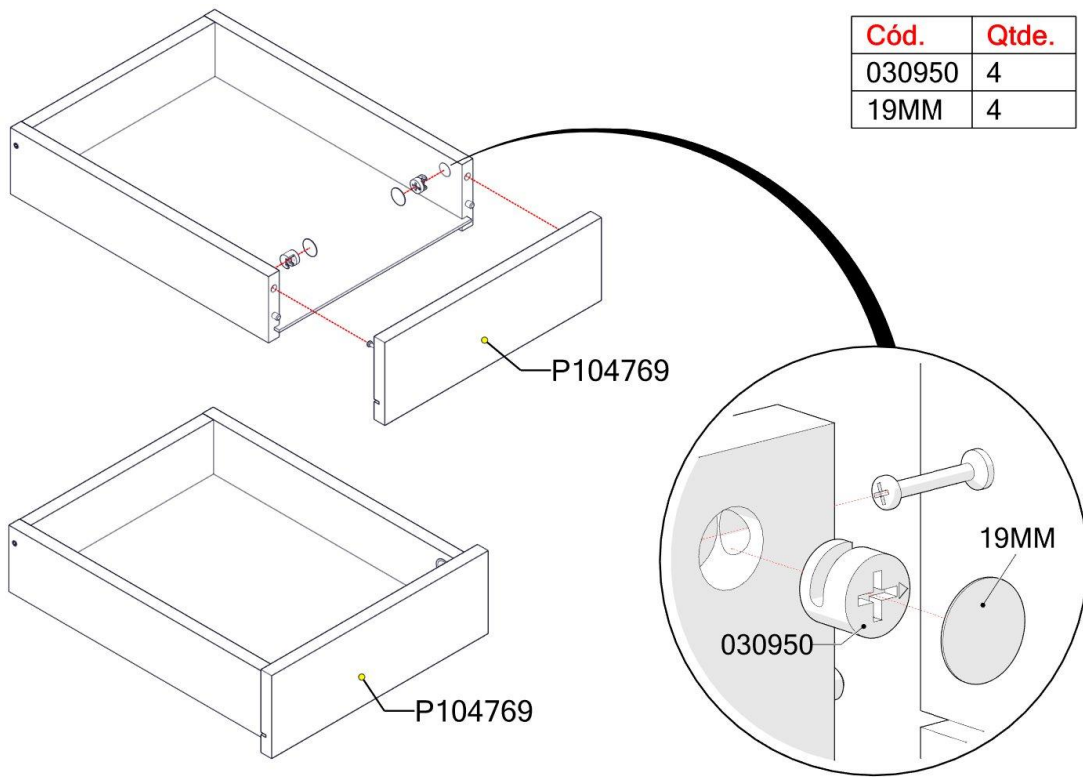
STEP 26



Cód.	Qtde.
058788	1
075515	4

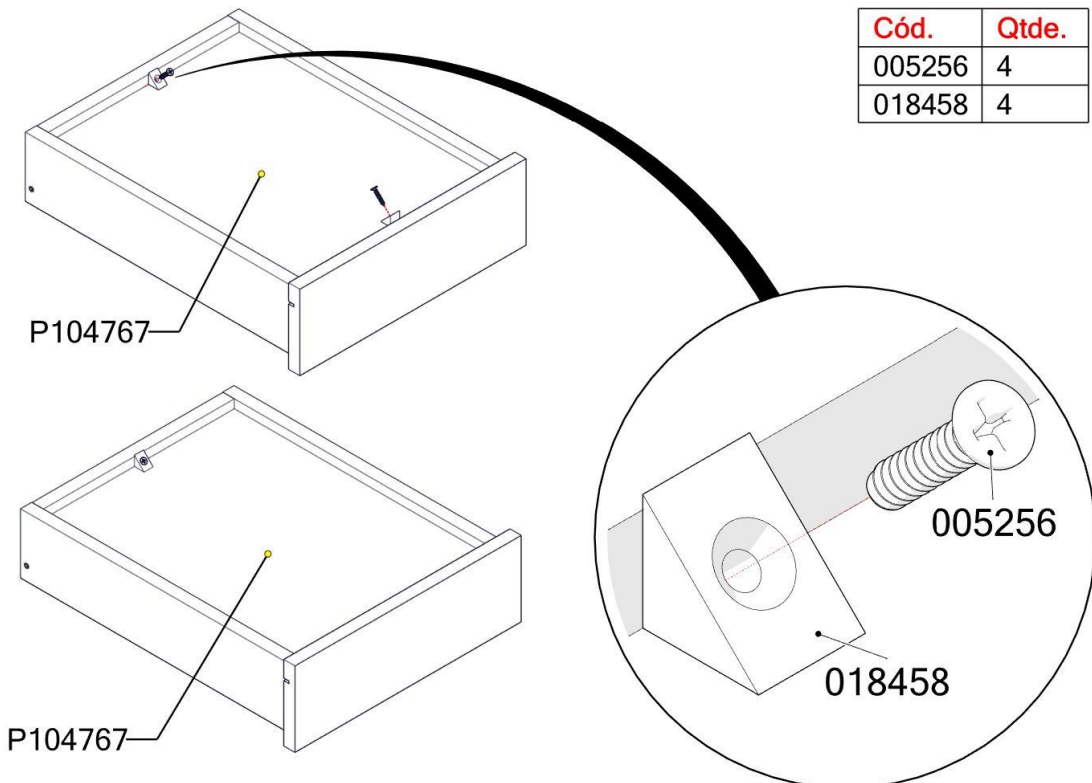


STEP 27



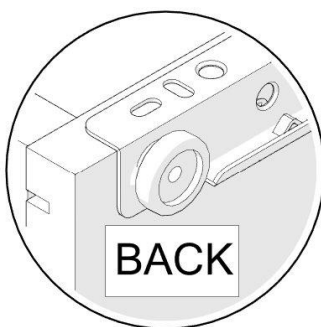
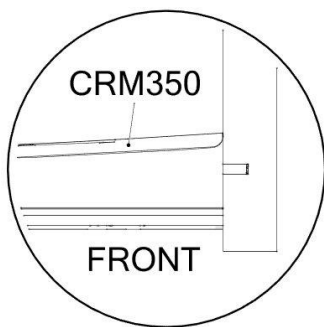
STEP 28

Place 018458 central on the bottom of the drawer

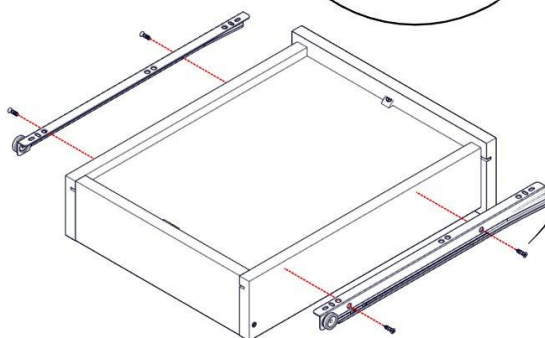
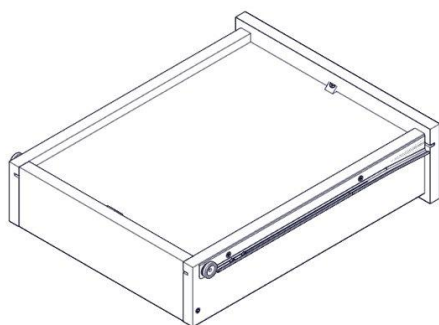
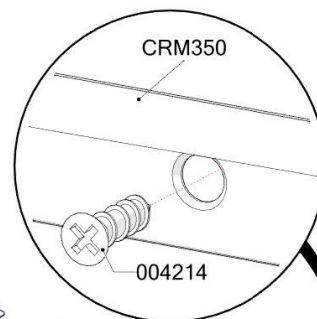


Rails should be flush to the front of drawer

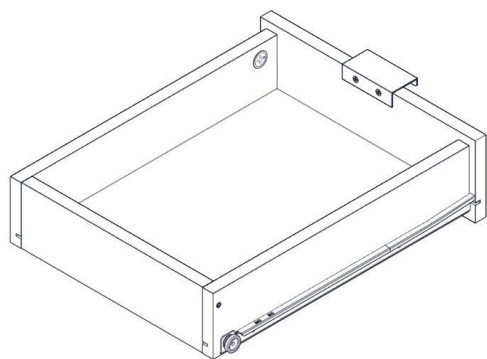
STEP 29



Cód.	Qtde.
004214	8
CRM350	4

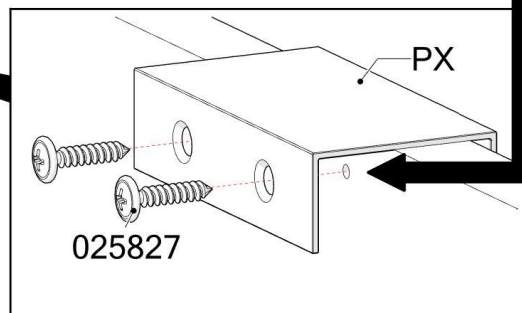
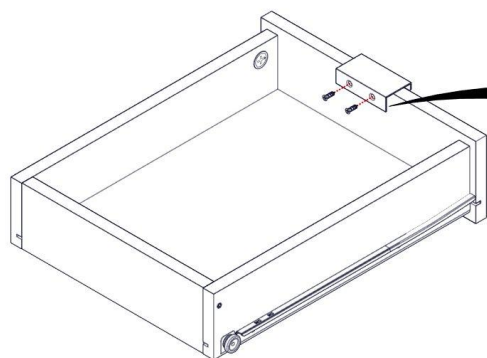


STEP 30

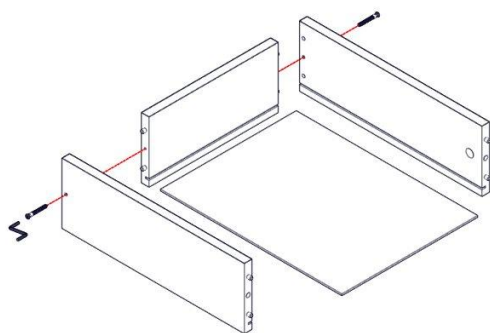
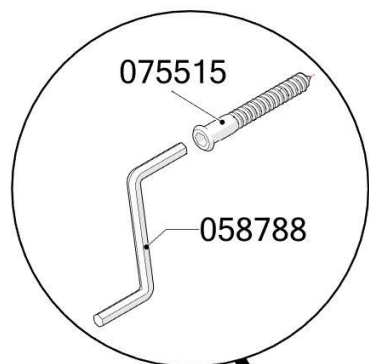


Cód.	Qtde.
025827	4
PX	2

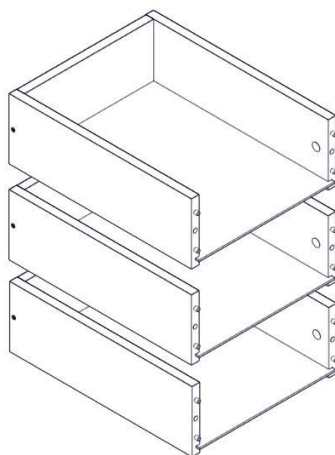
Use this Indent as a guide for the placement/installation of the handles



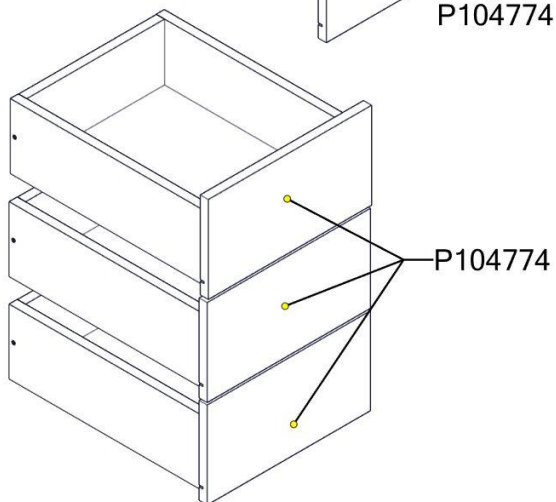
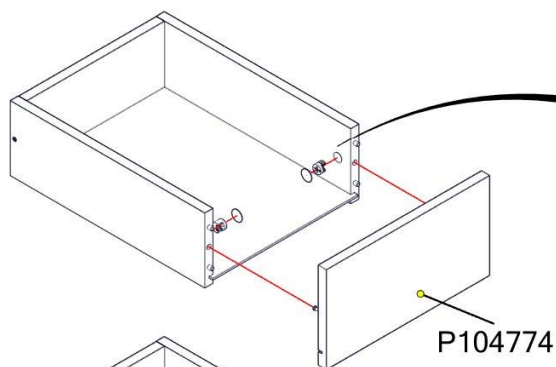
STEP 31



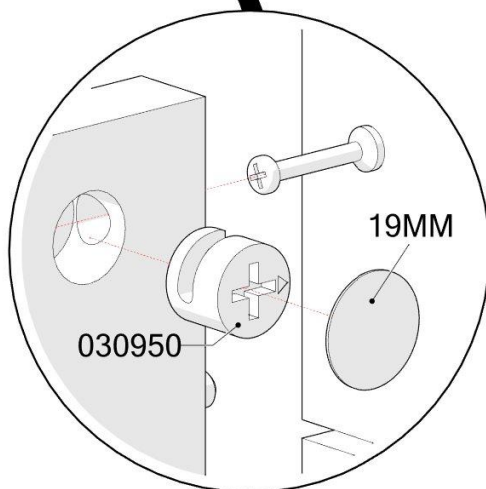
Cód.	Qtde.
058788	1
075515	8



STEP 32

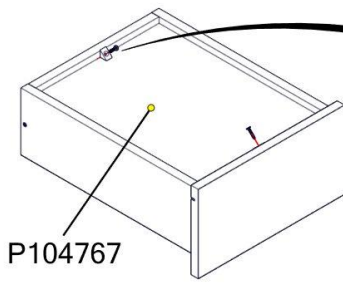


Cód.	Qtde.
030950	8
19MM	8

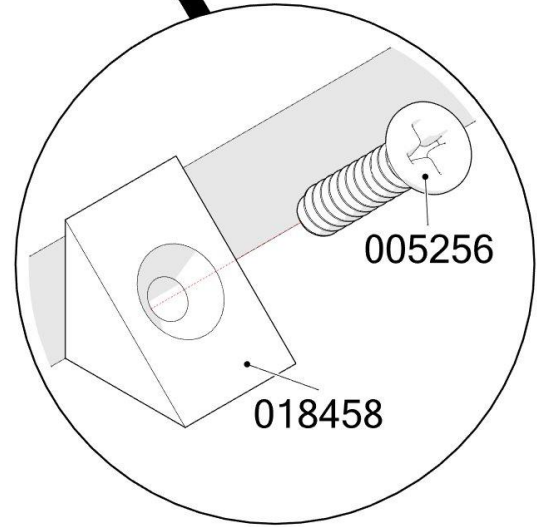
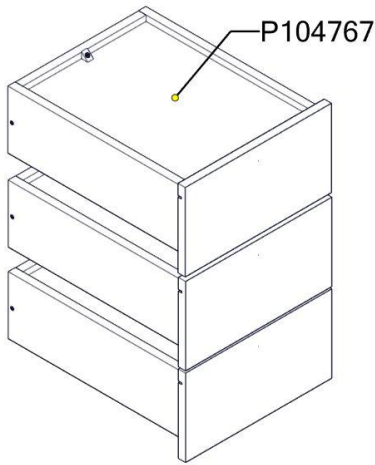


STEP 33

Place 018458 central on the bottom of the drawer

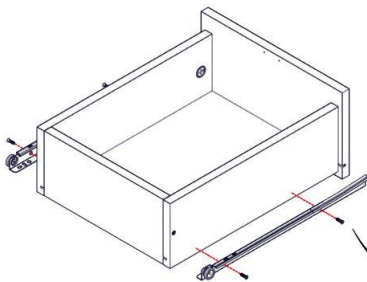


Cód.	Qtde.
005256	8
018458	8

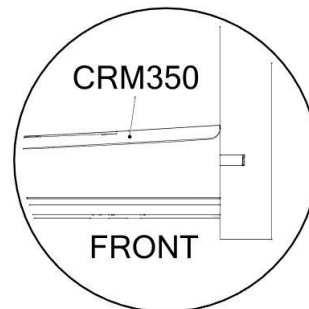
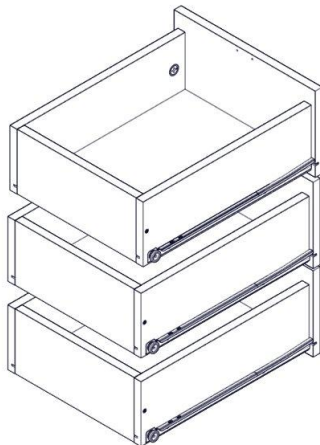
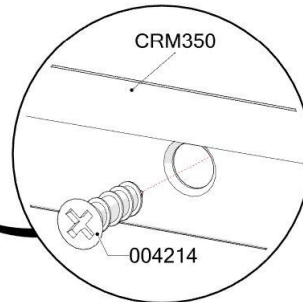


STEP 34

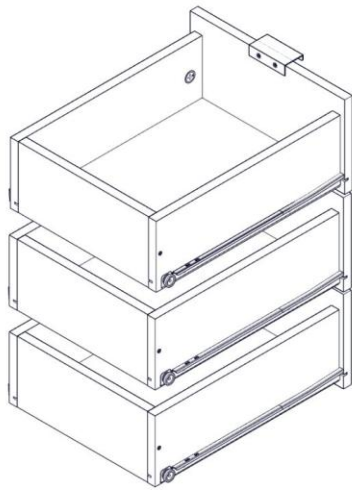
Ralls should be flush to the front os drawer



Cód.	Qtde.
004214	16
CRM350	8

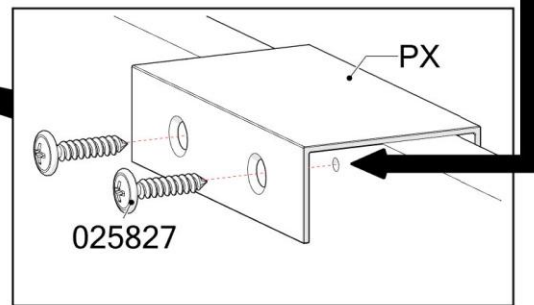
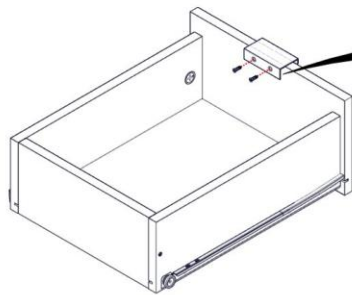


STEP 35

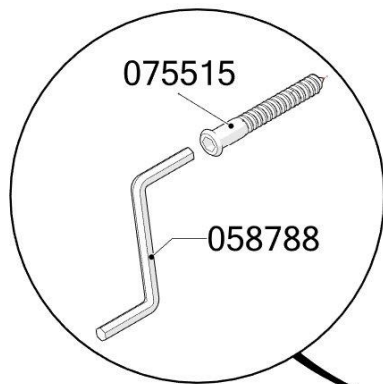


Cód.	Qtde.
025827	8
PX	4

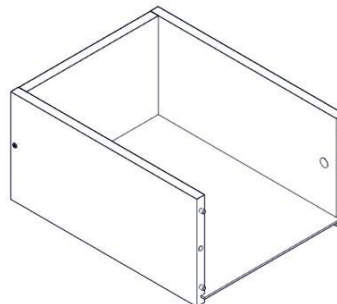
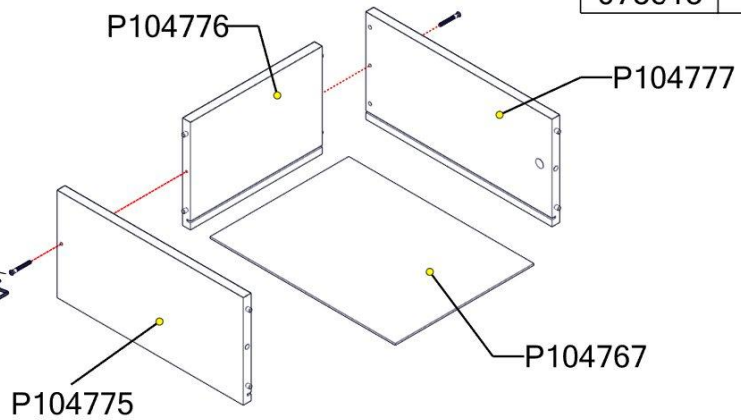
Use this Indent as a guide for the placement/installation of the handles



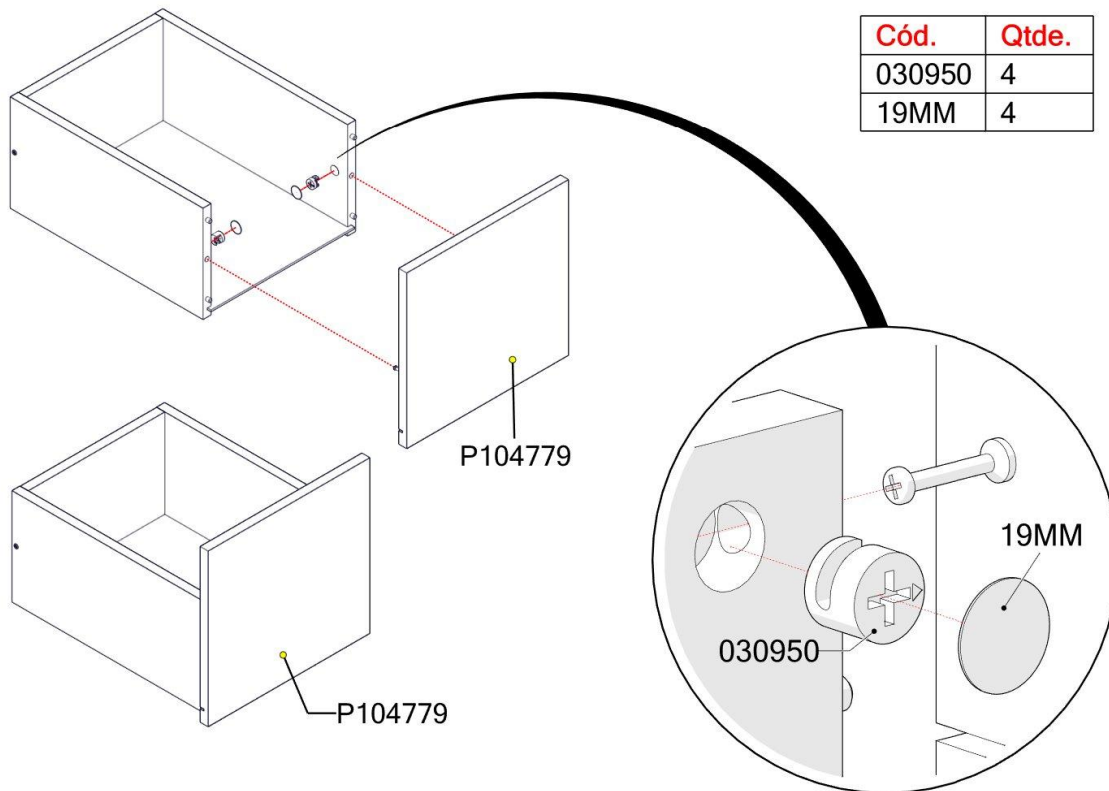
STEP 36



Cód.	Qtde.
058788	1
075515	4

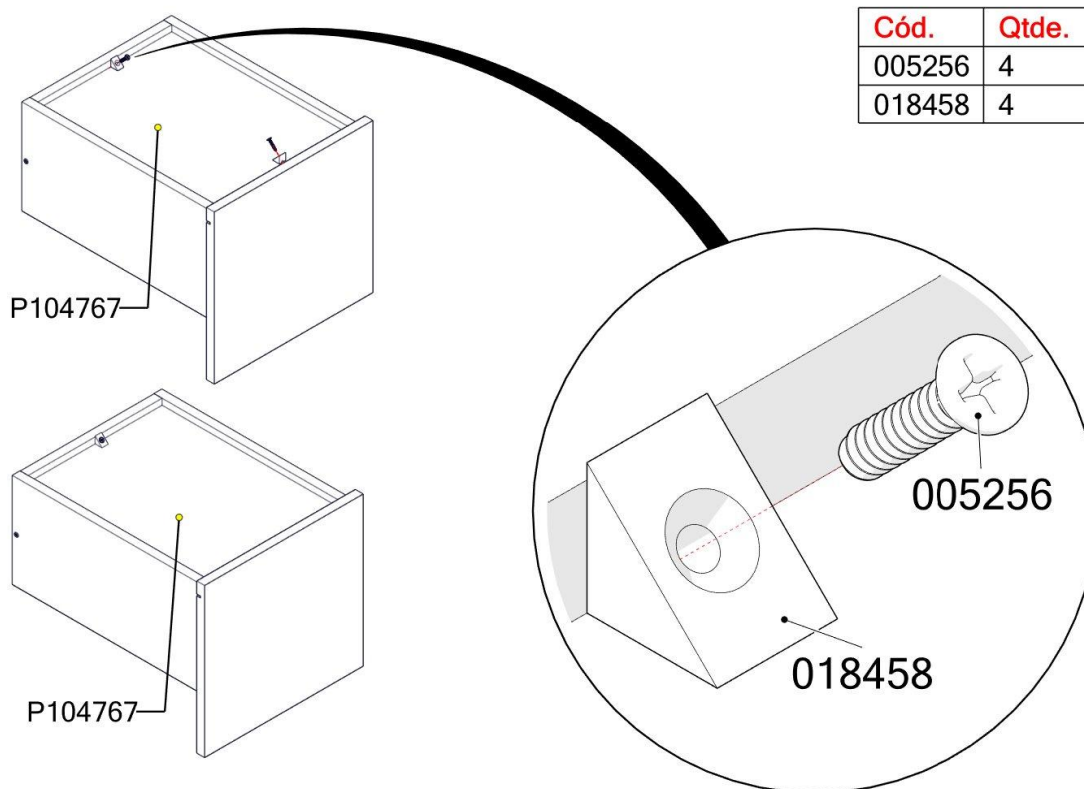


STEP 37



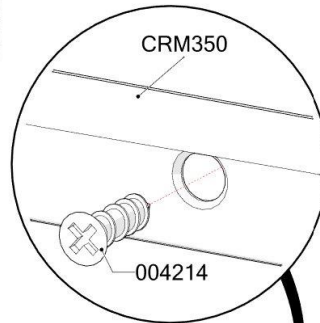
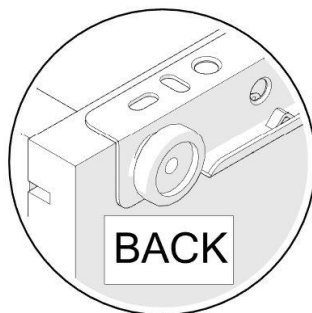
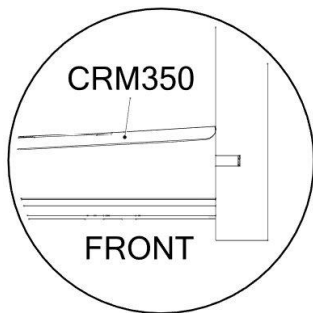
STEP 38

Place 018458 central on the bottom of the drawer

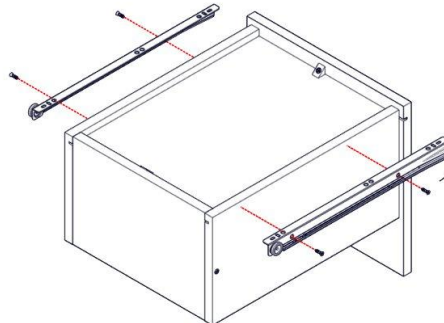
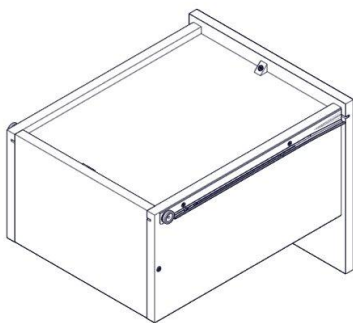


STEP 39

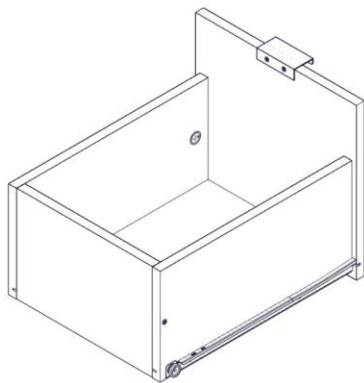
Ralls should be flush to the front os drawer



Cód.	Qtde.
004214	8
CRM350	4

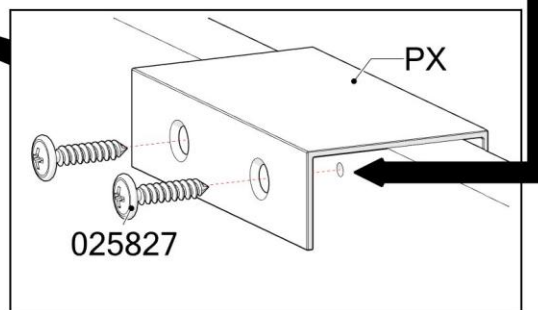
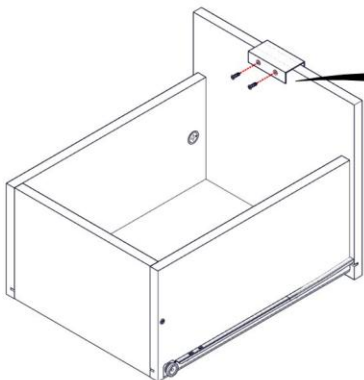


STEP 40



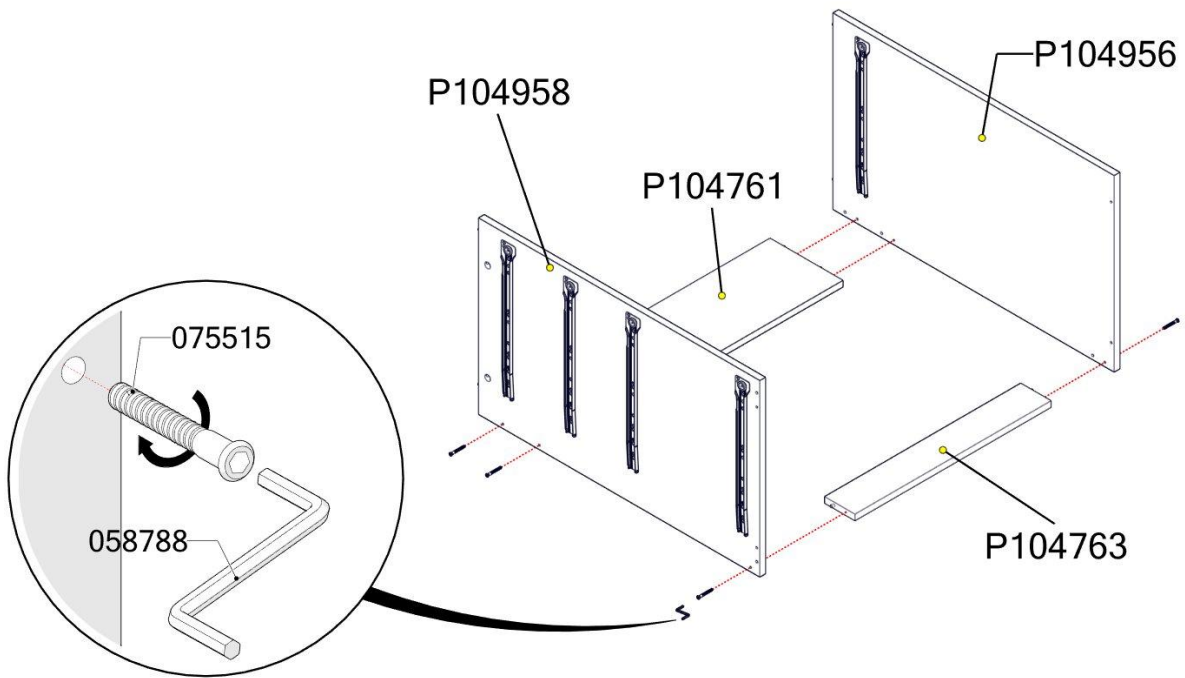
Cód.	Qtde.
025827	4
PX	2

Use this Indent as a guide fot the placement/installation of the handles



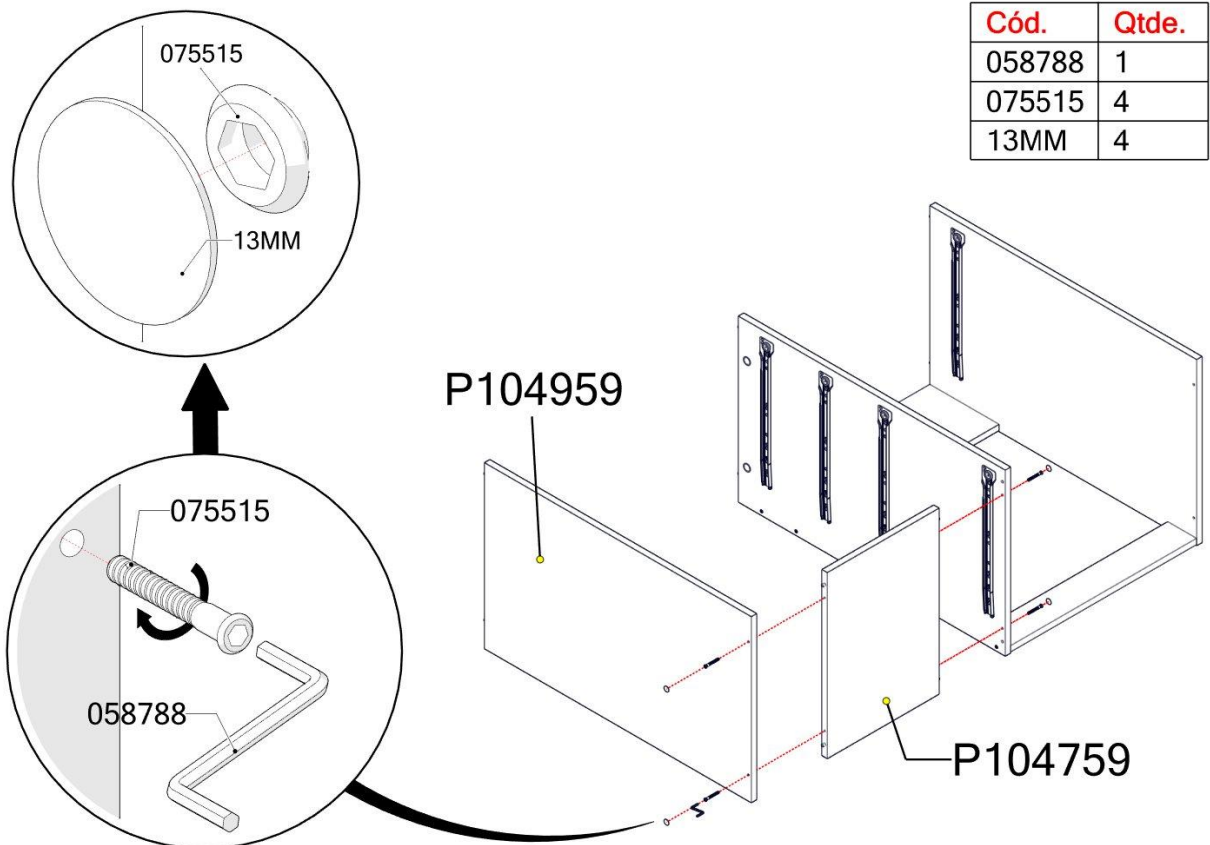
STEP 41

Cód.	Qtde.
058788	1
075515	6



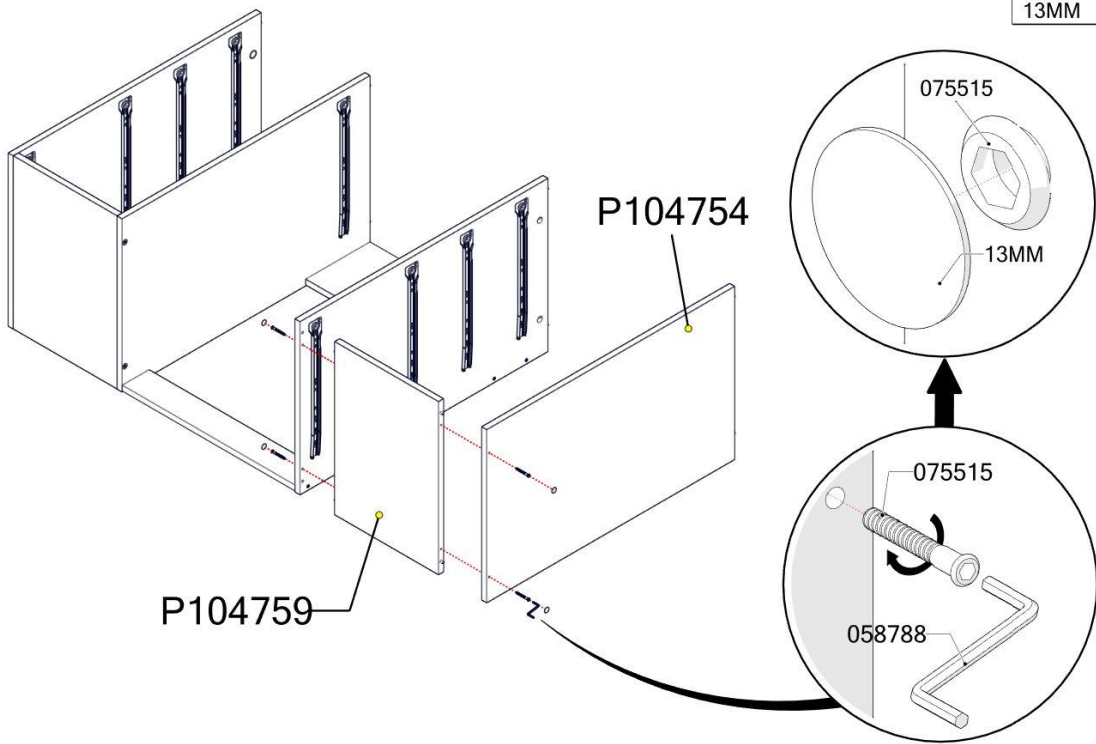
STEP 42

Cód.	Qtde.
058788	1
075515	4
13MM	4



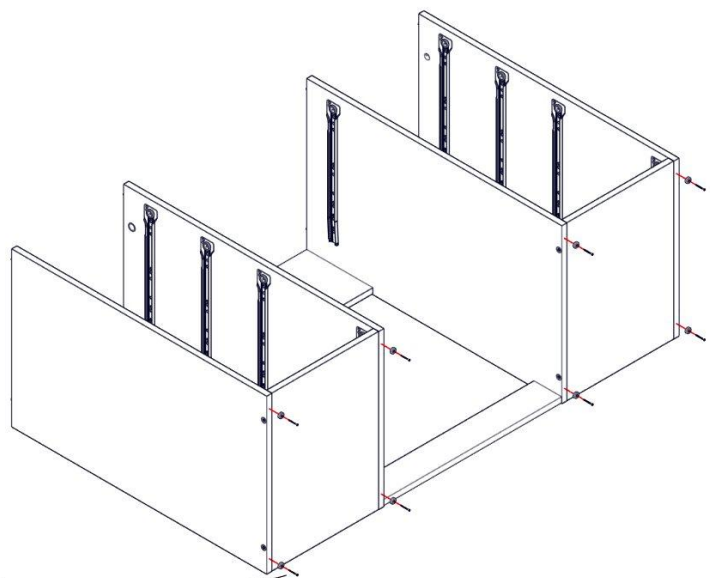
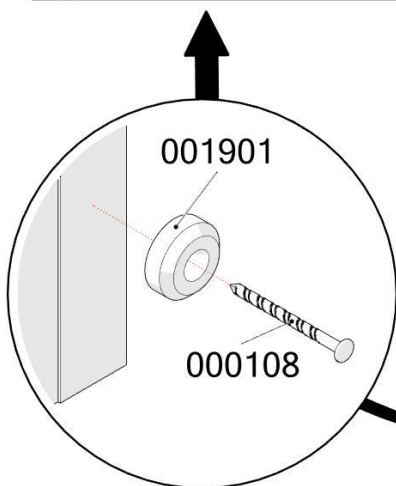
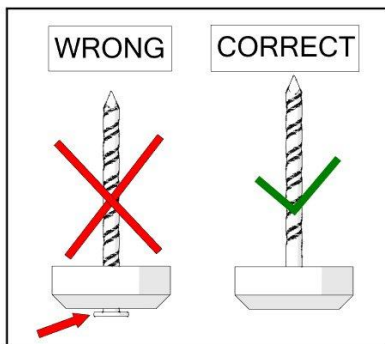
STEP 43

Cód.	Qtde.
058788	1
075515	4
13MM	4

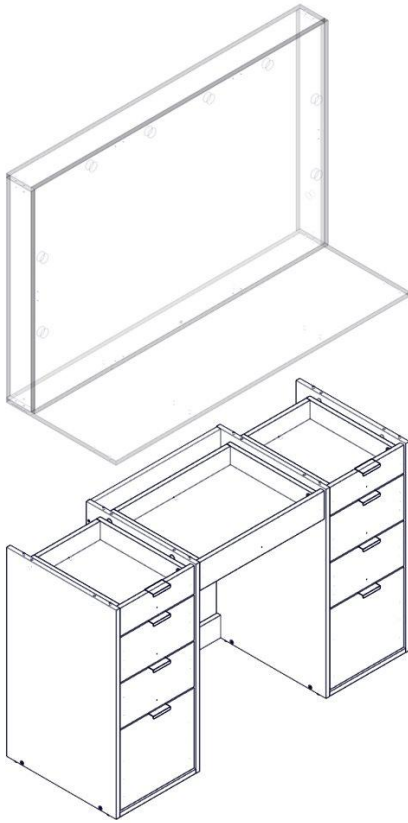


STEP 44

Cód.	Qtde.
000108	8
001901	8

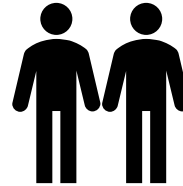


STEP 41



the upper set is NOT part of this piece of furniture, it is there for ***illustrative*** purposes Only.

After fitting the assembly together, you can proceed with the rest of the assembly.



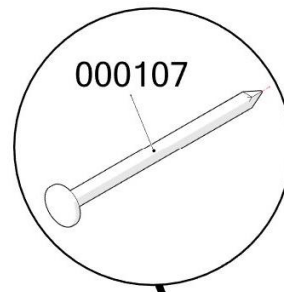
This step requires two people when installing the top portion of the vanity (as per this step), as this item is considered heavy and somewhat cumbersome.

STEP 41

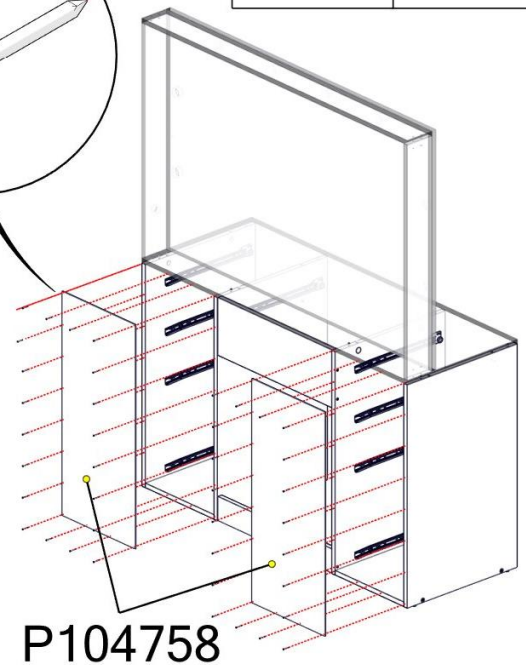
After checking that the back panel is squared to the side and Top, nail the back panel in place.

Note: It is essential to place the furniture straight/squared to avoid problems with the functioning and alignment of the Drawers and Doors.

Attention: Ensure that when nailing the back parts in place, that it is being nailed as straight as possible to the top and sides. Failure to do so can make the drawers appear crooked.

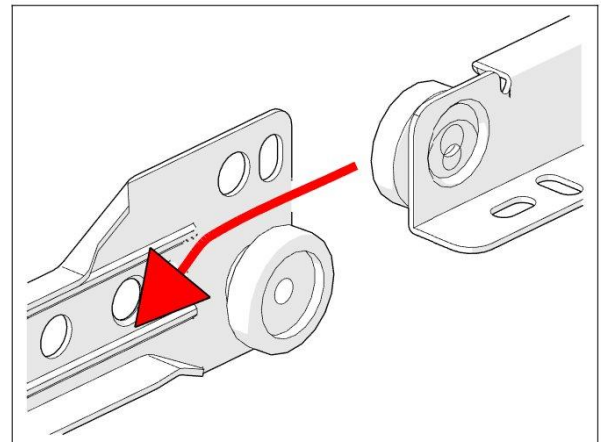
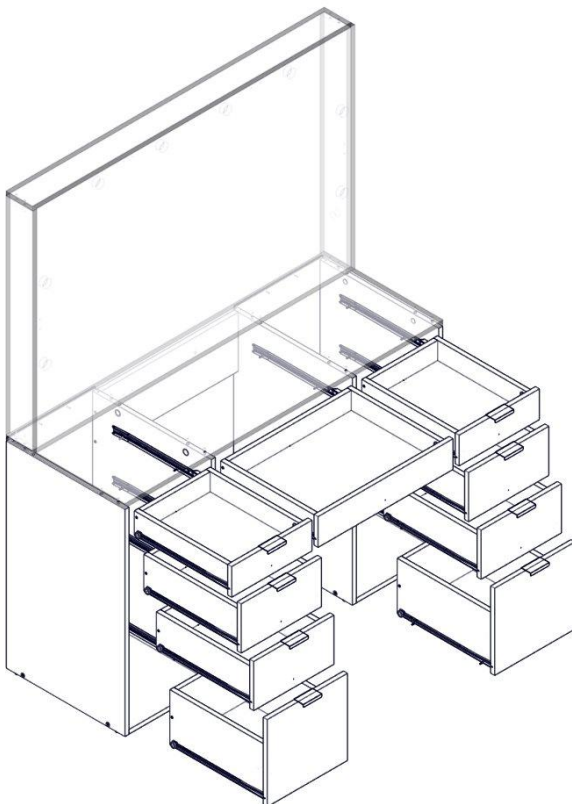


Cód.	Qtde.
000107	40



STEP 42

Drawer installation

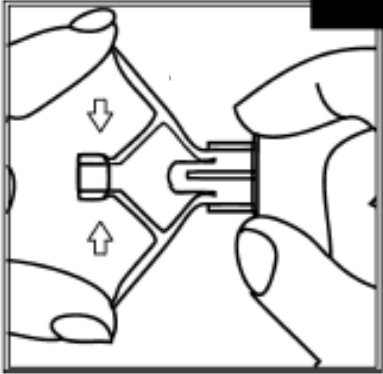


Insert the slide into the profile and close the drawer to finish locking the clip.

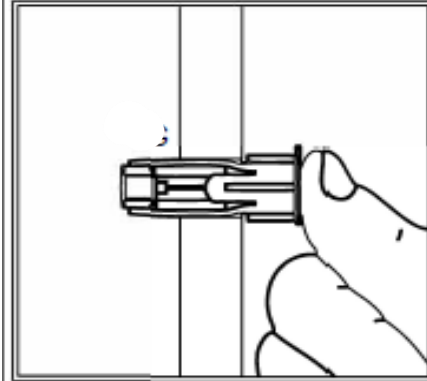
STEP 45

NOTE: Do not turn the DRYWALL ANCHOR into a 10 fasten the SAFETY ANTI-TIPPING

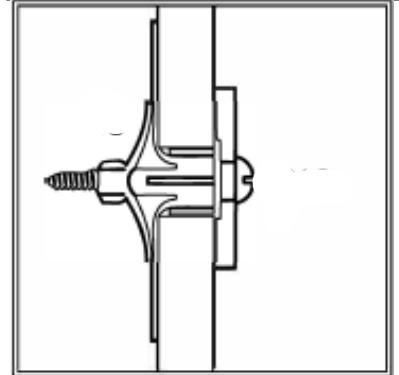
Compress the wings of anchor before inserting.



Insert the chuck into the hole of the base material.

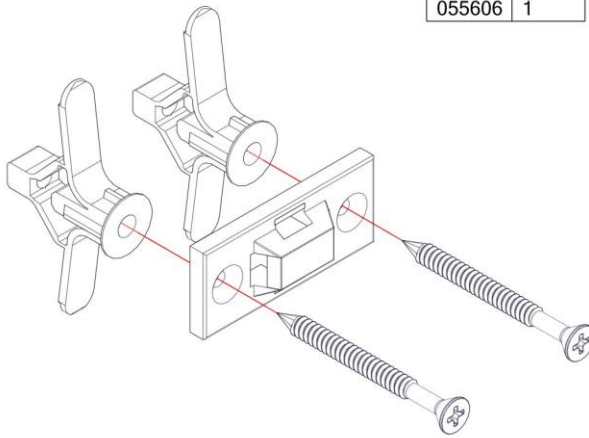


Position the object over the bushing and secure it with a screw.



WALL

Cód.	Qtde.
032069	2
051980	2
055606	1



Important

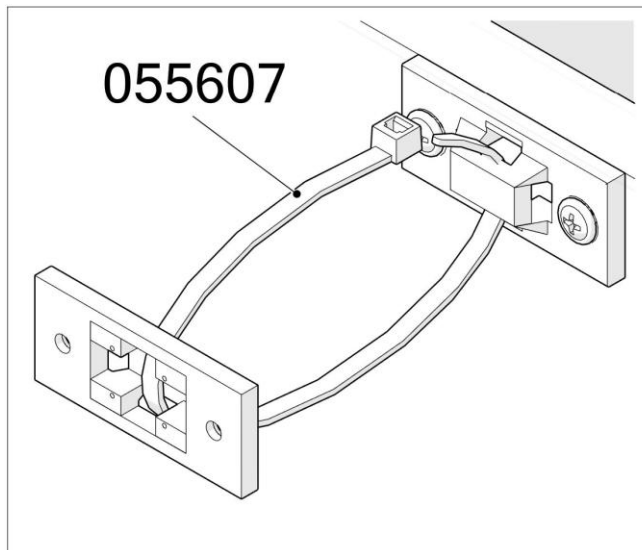
The minimum length of the screw must be the bushing length + object thickness that will be fixed.

To guarantee the wing expansion function of the bushing, after the screw head is at the object to be fixed, one must continue to rotate the screw until maximum torque is reached.

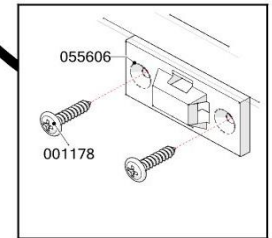
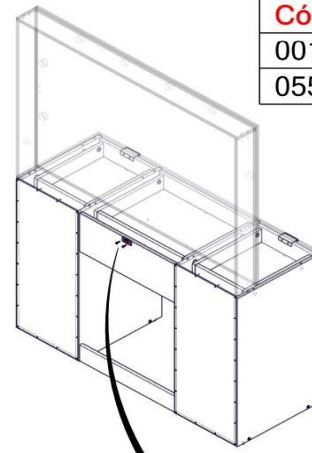
Pierce the base material a 0.39 in. drill.



STEP 46



Cód.	Qtde.
001178	2
055606	1



A WARNING – Anti-Tip Advisory

Potential of serious fatal crushing injuries may occur from furniture tip-over. To help prevent tip-over:

ALWAYS INSTALL the tip-over restrain that came with your furniture. This tip-over restrains only reduces but does **NOT** completely eliminate the risk of tip-over

- **ALWAYS** Place the heaviest items in the lowest/bottom drawer.
- **NEVER** place heavy objects on top of this product.
- **NEVER** allow children to scale/climb/hang on the drawers, doors, or shelves.
- **NEVER** open more than one drawer at a time.

B ADVERTENCIA - Aviso antivuelco

Pueden producirse lesiones graves por aplastamiento mortales debido al vuelco de los muebles. Para ayudar a prevenir vuelcos:

- **SIEMPRE INSTALE** el sistema de retención que viene con sus muebles. Este sistema antivuelco solo reduce pero **NO** elimina por completo el riesgo de vuelco.
- **SIEMPRE** coloque los artículos más pesados en el cajón más bajo /inferior.
- **NUNCA** coloque objetos pesados encima de este producto.
- **NUNCA** permita que los niños escalen, trepen o se cuelguen de los cajones, puertas o estantes.
- **NUNCA** abra más de un cajón a la vez