

STANDARD STANDING DESK FRAME

Installation Manual

SKU:TSF3222



Better price. Better life





THANK YOU FOR CHOOSING VVENACE

At VVENACE, we are committed to being a premier creator of smart home products to enhance your workspace and living environment.

Our range of solutions is designed to cultivate a healthier and more convenient lifestyle.

We take pride in offering high-quality products that are both functional and competitively priced, ensuring greater value for our customers.

Choose VVENACE to create a healthier and more efficient work and living environment.

Better Price
Better Life

Specifications

TSF3222 +

Frame Material	SPCC
Applicable Desktop Width	1000-1700mm / 39.37-67in
Applicable Desktop Depth	600-800mm / 23.62-31.5in
Load Capacity	176 lbs
Control Type	Electric
Lifting Speed	3/4" per Second
Noise Level	<50 dB
Rated Voltage	100V ~ 240V AC
Operate Temperature	30°F - 104 °F
Motor Life	20,000 Cycles
Anti-Collision	Yes
Certifications	FCC, ETL, UL
Warranty	5-year

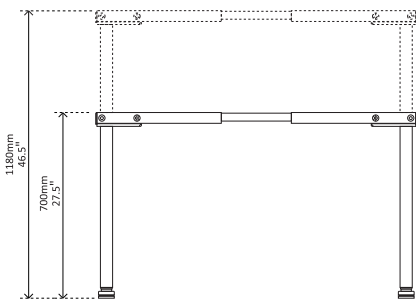


Frame

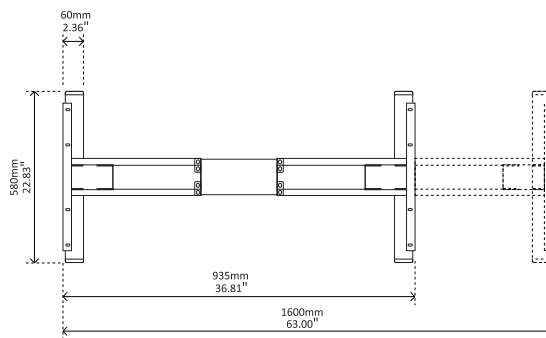
Available colors:



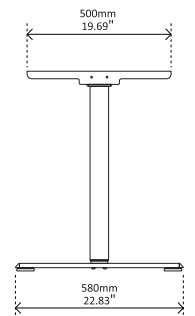
White Black



(Front view)



(Top view)



(Side view)

Caution

TSF3222 ⊕



Keep children and pets away from the electric height-adjustable desk during operation. Unplug the power cord during thunderstorms or prolonged inactivity.



Avoid collisions between the desktop and the wall.



Ensure there are no obstacles in the path of the desk, and that no objects taller than 20 inches are placed underneath the desk.



Working environment temperature 30°F-104°F. Keep the desk well away from corrosive gases, liquids, and dusty environments.



Unauthorized disassembly of desk components, except for installation and operation as instructed in this manual, is strictly prohibited to prevent malfunctions and potential harm to individuals from electronic components.



The desk automatically halts vertical movement upon obstacle detection. To prevent accidents, keep hands and body parts clear of moving parts during operation. Be aware that obstacle detection may be inactive during reset procedures.

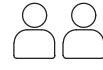
Better Price
Better Life

Packing List

TSF3222 ⊕

20 min

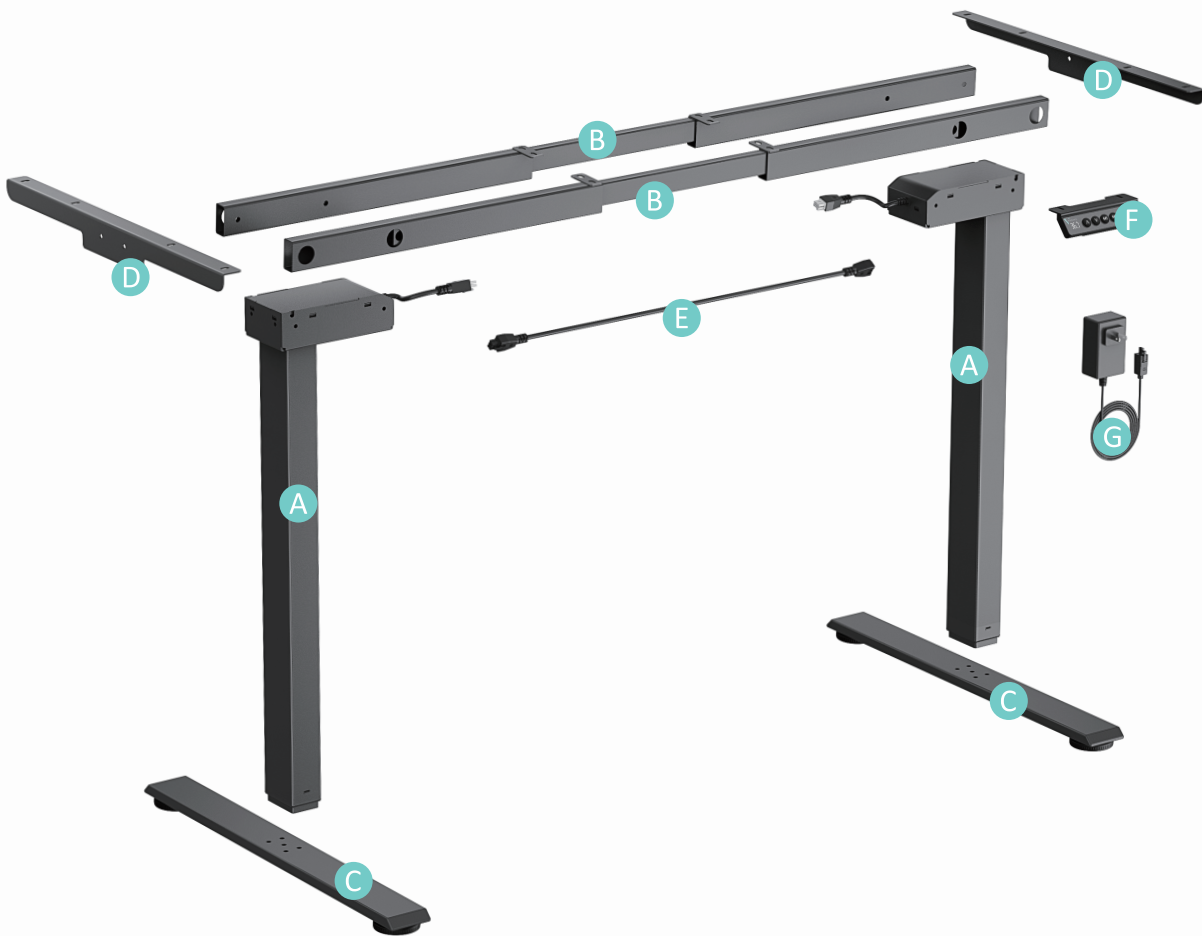
Inst. Time



Two People



Tools

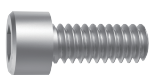


No.	Part Name	Qty(PCS)	No.	Part Name	Qty(PCS)
A	Desk Leg	2	E	Motor Extension Cable	1
B	Crossbeam	2	F	Control Keypad	1
C	Foot	2	G	AC Adapter	1
D	Side Bracket	2			

Packing List

TSF3222 ⊕

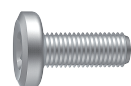
Frame Hardware Kit



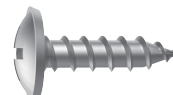
M6 x 10 Screw (x 8)



M6 x 30 Screw (x 8)

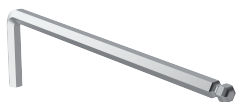


M6 x 12 Screw (x 4)



ST5.0x16 (x 12)

Tool Kit



5mm Hex Key (x 1)



4mm Hex Key (x 1)



Cable Clip (x 3)

Others



ST3.5 x 16 (x 2)
(For Control Keypad)

Before Installation

TSF3222 ⊕

Before you Begin

1. Inspect the product packaging to ensure the exterior is in good condition.
2. To prevent scratching your floor, we recommend placing a soft blanket underneath.
3. Identify, sort, and count all parts and components.
4. Carefully read through the installation instructions and follow the steps accordingly.
5. Locate the installation holes based on the diagrams provided and proceed with installation as instructed.

Cautions

1. Use electric drills or screwdrivers with care.
2. Pay attention to slow down when screws are almost tightened.
3. Avoid using any harsh chemicals or abrasive cleansers.
4. When pushing, pulling, or dragging the product, handle with caution to prevent damage.

Warning

Improper use that results in product damage or personal injury is not covered by our company's liability.

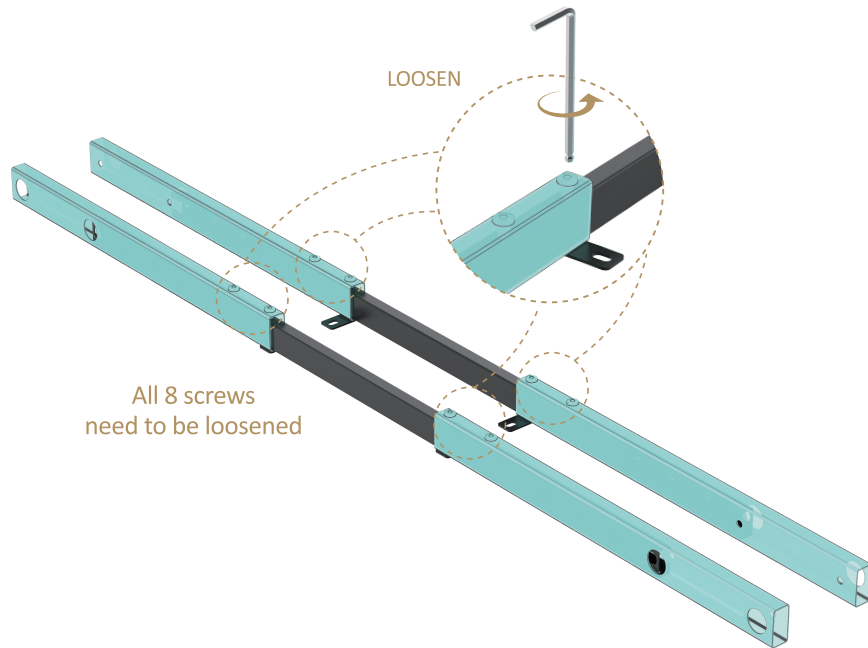
Installation

TSF3222 ⊕

1

Loosen eight screws on the two crossbeams, two screws on each side, adjust their length to fit, then tighten the screws to secure them in place.

Tool Kit
4mm Hex Key



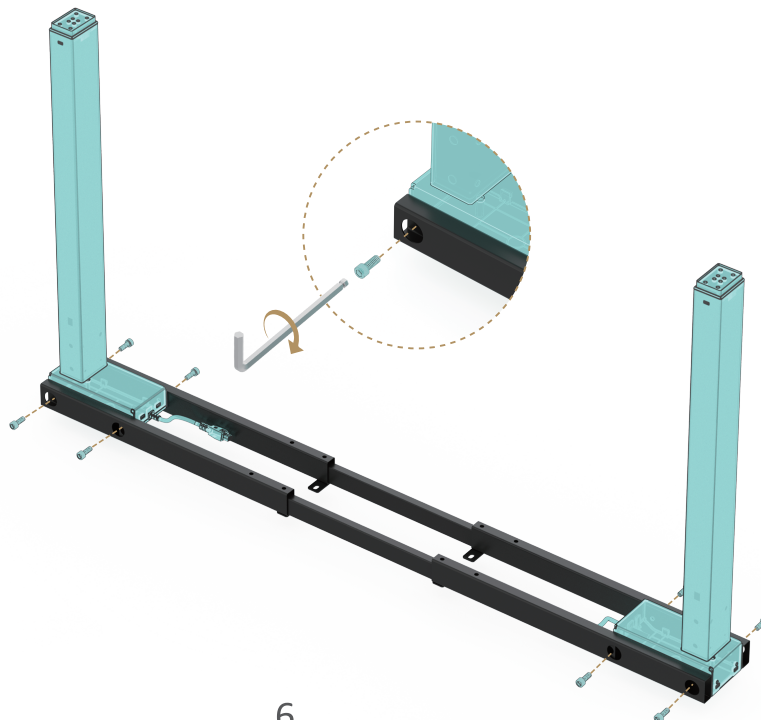
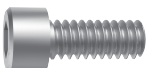
2

Attach the two crossbeams to the two desk legs.

Tool Kit
5mm Hex Key



Frame Hardware Kit
M6 x 10 Screw (x 8)



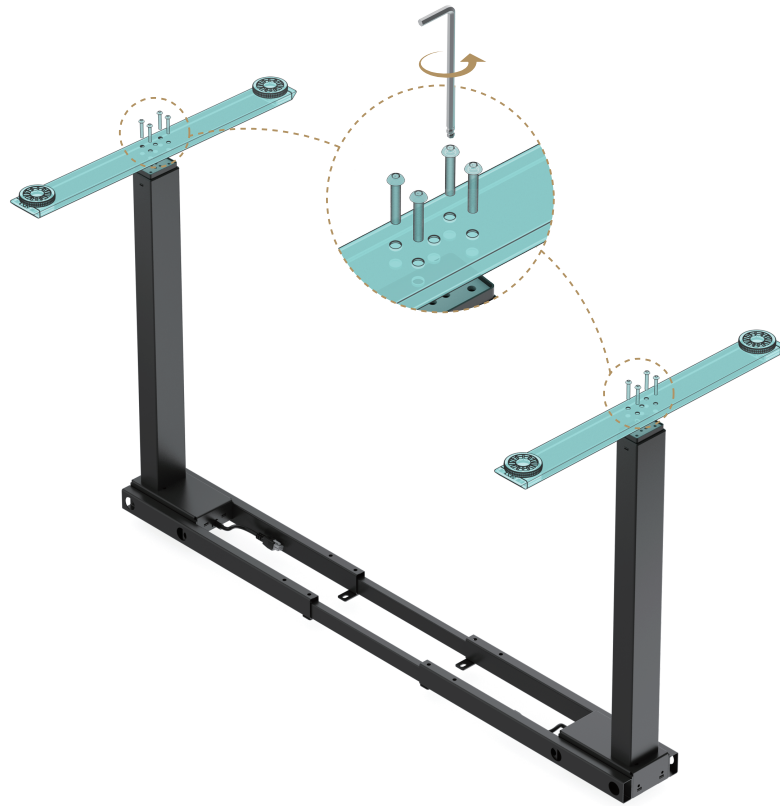
3

Securely fasten the feet to the two desk legs.

Tool Kit
4mm Hex Key



Frame Hardware Kit
M6 x 30 Screw (x 8)



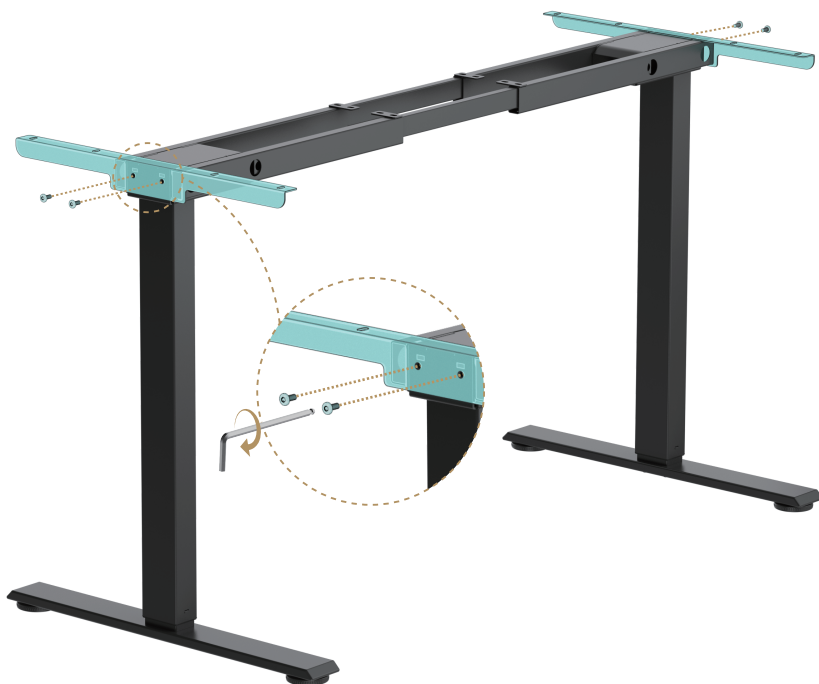
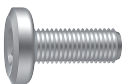
4

Attach the left and right side brackets.

Tool Kit
4mm Hex Key



Frame Hardware Kit
M6 x 12 Screw (x 4)



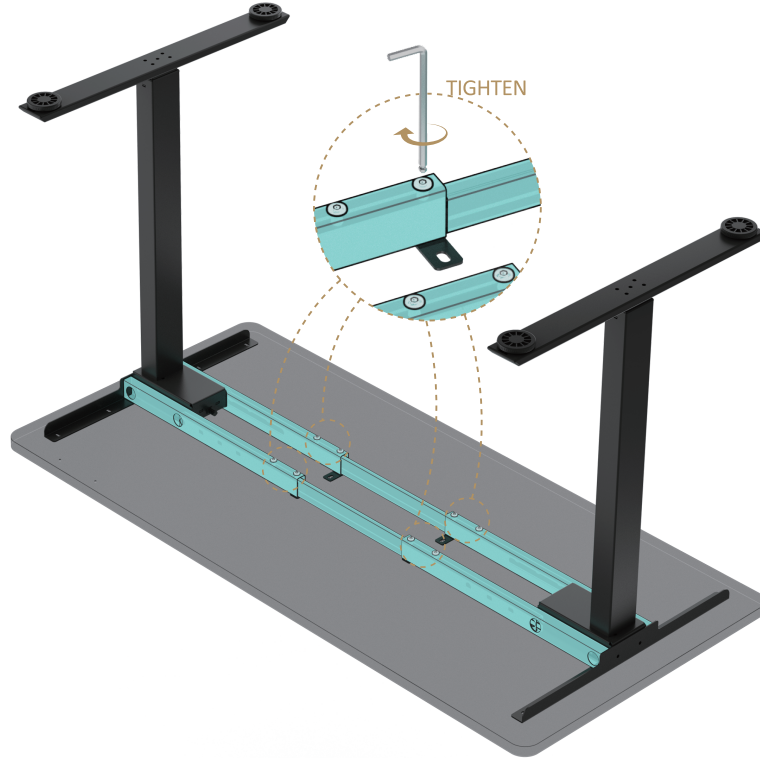
5

Tool Kit
4mm Hex Key



Repeat step 1 to adjust the length of the crossbeams to fit your desktop, then tighten the screws.

Note: The desktop is not included and must be purchased separately.

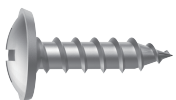


6

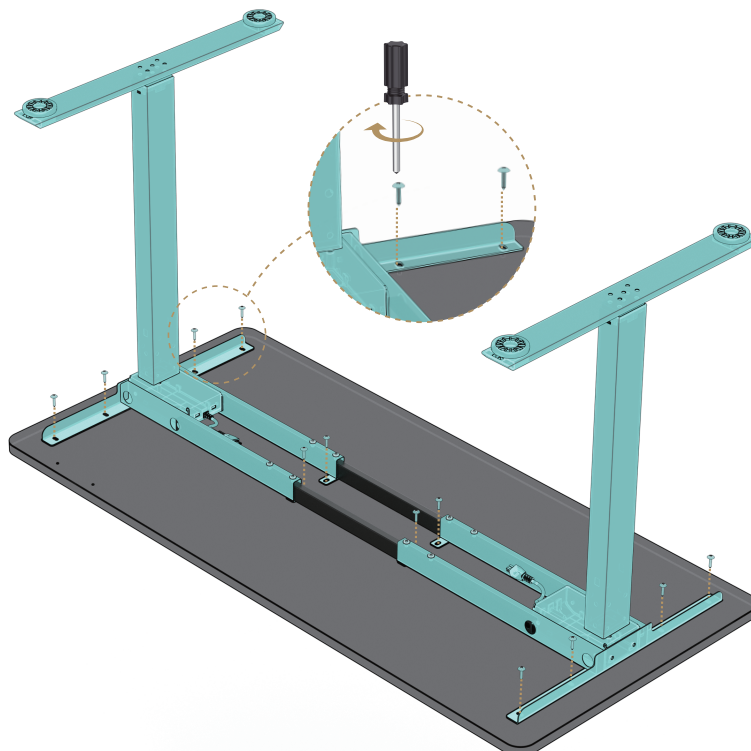
Screwdriver
(Self-prepared Tool)



Frame Hardware Kit
ST5.0x16 (x 12)



Attach the entire frame to the desktop by tightening the four screws on both the left and right side brackets, as well as the two screws on each crossbeam.



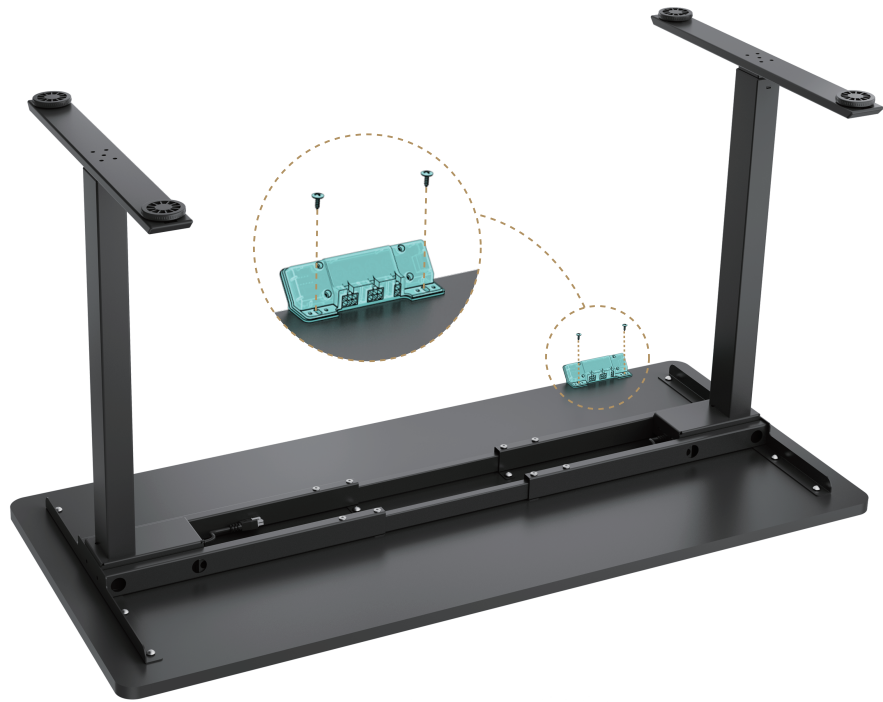
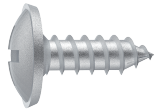
7

Install the control keypad along the edge of the desktop.

Screwdriver
(Self-prepared Tool)



Others
ST3.5 x 16 (x 2)
(For Control Keypad)

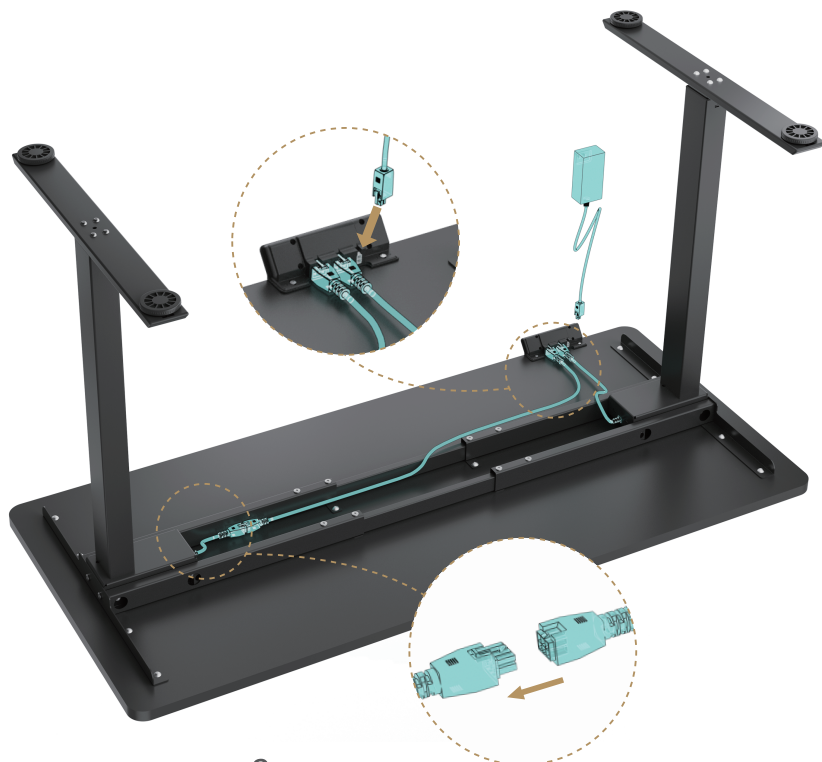


8

Connect the control keypad to the two motors, the motor that is farther apart will need to be connected using an extension cable.

Then connect the AC adapter to the control keypad, and the standing desk will start to activate. Use cable clips to manage and organize cables.

Tool Kit
Cable Clip (x 3)





Instructions

TSF3222 ⊕



Sleep Mode

The controller is a button-operated panel. If the display is inactive for 10 seconds, it will enter sleep mode, and the display will turn off. To reactivate the display, press the "  " or "  " button.

Up and Down (There will be vibration during operation)



Keep pressing up the key until you reach the desired height.



Keep pressing down the key until you reach the desired height.

Saving Position / Memory Height Setting

1. Adjust the desk to your desired height.
2. Press and hold one of the memory buttons (M1, M2, M3, or M4) for 5 seconds. When you hear a "beep" , the height is saved to the selected memory button.

Initialization Settings

- 1.Initialization:** When the system is abnormal and the display shows **Err**, press and hold the "∨" button until the desk lowers to the lowest height and bounces back after you hear a "beep". Initialization is then completed. (Tip: Do not release the button during this process, or initialization will fail.)
- 2.Forced Initialization:** Press and hold the "∨" button until the desk lowers to the lowest height. Release the button, then press and hold the "∨" button again for about 5 seconds until you hear a "beep" and the desk bounces back. Initialization is then completed.
- 3.Restore Factory Settings:** When the controller has been replaced or you need to restore factory settings, press and hold both the "∨" and "∧" buttons simultaneously. You will hear the first "beep" after about 5 seconds, and the second "beep" after 10 seconds. When the display shows **Err**, press and hold the "∨" button until the desk lowers to the lowest height and bounces back after a "beep". The reset is then completed.

Height Limits

Setting Height Limits: Press and hold both "∨" and "∧" for 5 seconds at the desired height. A "beep" indicates the limit is set.

- If the set value is $\leq 37.3''/95\text{cm}$, it's the lower limit.
- If the set value is $> 37.3''/95\text{cm}$, it's the upper limit.

Canceling Height Limits: To cancel, move to the limit height, then press and hold "∨" and "∧" for 5 seconds until you hear a "beep".

(The initial minimum height is 71cm/27.9in, and the maximum height is 119cm/46.8in.)

Lock & Unlock

When the system is locked, all buttons on the control keypad will be disabled until the system is unlocked. This feature prevents accidental button presses while using the desk.

- 1.System Lock:** Press and hold "∧" and "M4" simultaneously for 5 seconds. When the display shows "LOC", the system is locked.
- 2.System Unlock:** Press and hold "∨" and "M4" simultaneously for 5 seconds. When the display shows a normal number, the system is unlocked.

Anti-Collision

1. Our desk features an anti-collision mechanism that automatically stops and retracts slightly if it encounters resistance while moving up or down. This safety feature, which operates in current detection mode, ensures enhanced safety by preventing accidents.
2. If the sensitivity is set too high, the anti-collision mechanism might activate unnecessarily. To avoid frequent triggering, you can adjust the sensitivity settings. Please refer to "S-3, S-4" in Advanced Settings.

Sedentary Reminder

1. Activate Sedentary Reminder: Press the "1" and "3" buttons simultaneously. The screen will display "0.0h".
2. Set Reminder Time: Press the "∨" or "∧" keys to set the desired reminder time.
3. Save Settings: After the screen turns off, a flashing dot will appear in the lower-right corner to indicate that the setting was successful.
4. Reminder Alert: When the set reminder time arrives, a buzzing sound will be emitted to alert you

Advanced Settings

TSF3222 ⊕

Press and hold the "M4" button for 10 seconds until "S-1" appears on the digital screen. Then, use the "▲" or "▼" button to adjust the settings.

S-1	Centimeter and inch exchange	Press "M4"	▲ ▼	0 Centimeter 1 Inch
S-2	Reserved Function	Press "M4"	▲ ▼	0 1 8
S-3	Upward anti-collision sensitivity (Current detection mode)	Press "M4"	▲ ▼	0 Off 1 Lowest sensitivity 8 Highest sensitivity
S-4	Downward anti-collision sensitivity (Current detection mode)	Press "M4"	▲ ▼	0 Off 1 Lowest sensitivity 8 Highest sensitivity
S-5	Lowest Desk Height Display Value	Press "M4"	▲ ▼	Use "▲" or "▼" to adjust the lowest position display value.
S-6	Reserved Function	Press "M4"	▲ ▼	0 1
S-7	Overheating Protection	Press "M4"	▲ ▼	0 Off 1 On (If you operate it continuously for 2 minutes, "HOT" is displayed).
S-8	Reserved Function	Press "M4"	▲ ▼	0 1 8

Press the "M4" button to go back.
Setting successful.

To set multiple functions, press the "M3" button to return to the "S-*" menu screen.

Error Code

TSF3222 ⊕

Error Code		
Error Code	Possible Cause	Action
E01,E06,E07	Power error	Replace power supply
E04	Controller connection error	Re-plug the controller cable
E05	Reverse run prompt when blocked	Bounce alert, normal
E08	Desktop tilting while running	Check the desktop (perform initialization 1)
E11, E21, E40, E41	Connection cable failure	Check the cable (perform initialization 1)
E12, E22, E42, E43	Controller failure	Replace the controller
E14~E17, E24~E27	Motor failure	Replace the motor
E18, E28	Weight overload	Remove the items on the desktop (perform initialization 1)
HOT	Running timeout	Stop using and resume automatically after 20 minutes

Warranty

TSF3222 ⊕

WARRANTY TERM

Our product adheres to the relevant regulations governing household appliance warranties, and we are committed to providing satisfactory after-sales services to our valued customers.

The warranty period for this item is 5 years. In the event of any quality-related issues with the frame, customers are required to complete the Warranty Card and attach a photo of it, which should then be sent to our customer service email at service@venace.com. Our customer service team will promptly follow up to address and resolve the issue.

Warranty service applies only to quality issues arising from normal use. Damages caused by abnormal use, including incorrect installation, usage not in accordance with the user manual, and unauthorized repairs or modifications, are not covered by the warranty. Users are responsible for any such issues.

The warranty term commences upon confirmation of receipt of goods by the customer. The warranty voucher serves as a guarantee for consumers to enjoy their warranty rights, therefore, please keep it safely. The warranty voucher must be filled out carefully, any alterations will invalidate it.

This warranty agreement outlines the terms and conditions of warranty coverage for our product, ensuring clarity and protection for both the company and customers.

WARRANTY CARD		
Product Information	Model	
	Selling Unit	
	Purchase Date	
Customer Information	Order Name	
	Order Number	
	Contact Email	
	Contact No.	
Seller Information	Warranty Period	5-year
	Service Email	service@venace.com



Better Price .Better Life

INTERNATIONAL ERGONOMIC OFFICE SOLUTION PROVIDER

For any assembly, usage, or damage issues
Please contact us first at **service@venace.com**

 Our service team will respond within 24 hours to ensure your satisfaction.



www.venace.com

service@venace.com

VENACE INTELLIGENT TECHNOLOGY INC.