

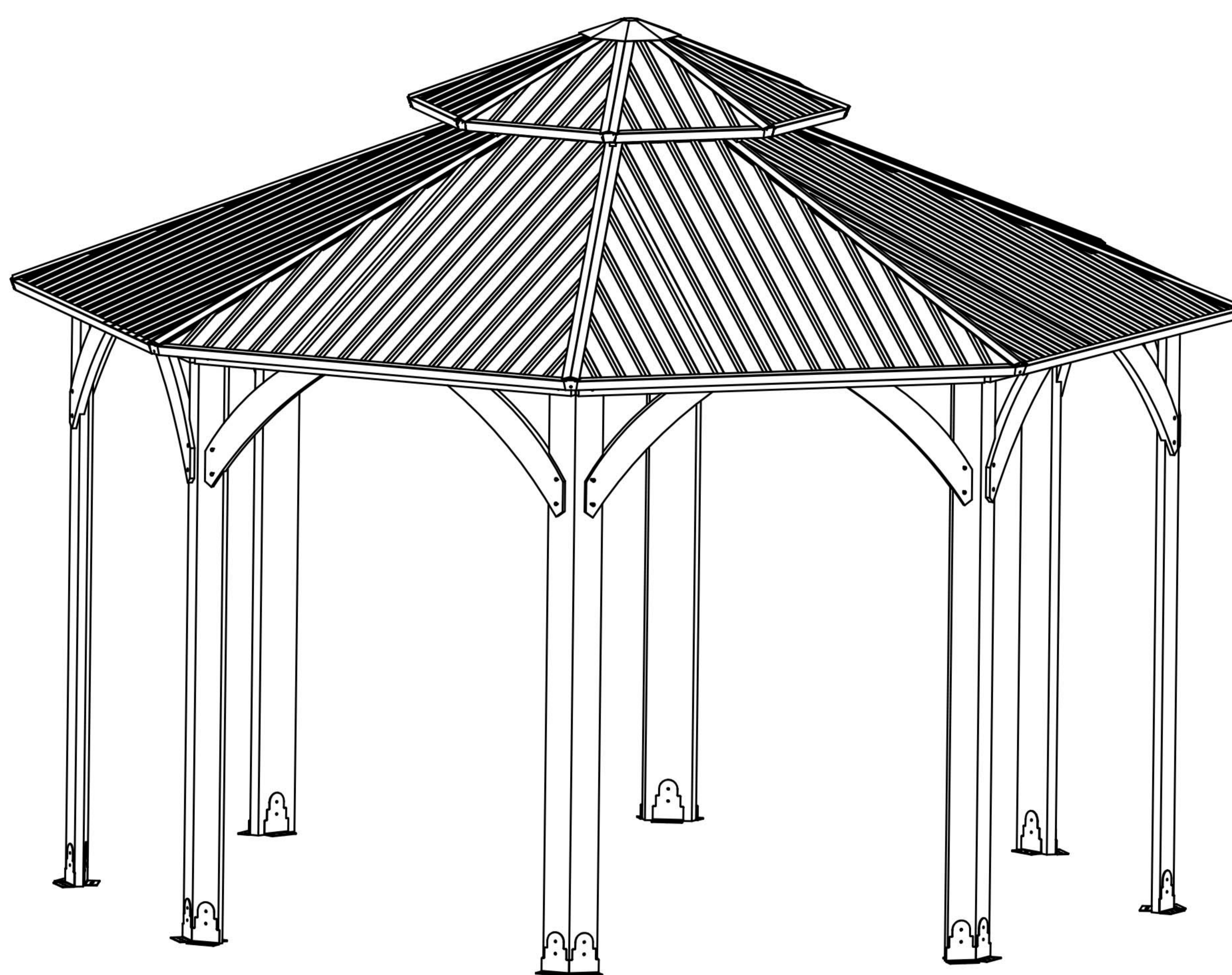
Metal Roof

Cedar Wooden Gazebo

13X13FT

SKU: C001G050WF-1
C001G050WF-2
C001G050WF-3
C001G050WF-4
C001G050WF-5

ASSEMBLY INSTRUCTIONS



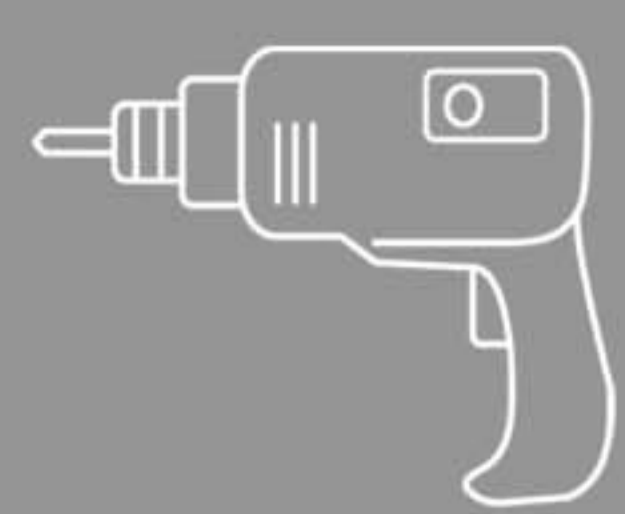
Please check the number of parts in the following accessory catalogue when unpacking. We have sent you more small parts for spare. If there is any missing or any questions about the installation. Please feel free to contact us. We will reply within 24 hours.



E-mail: cs.helper01@gmail.com

TOOLS RECOMMENDED

*NOTE: The recommended tools are not included in boxes and need to be prepared by yourself.



DRILL



RUBBER Mallet



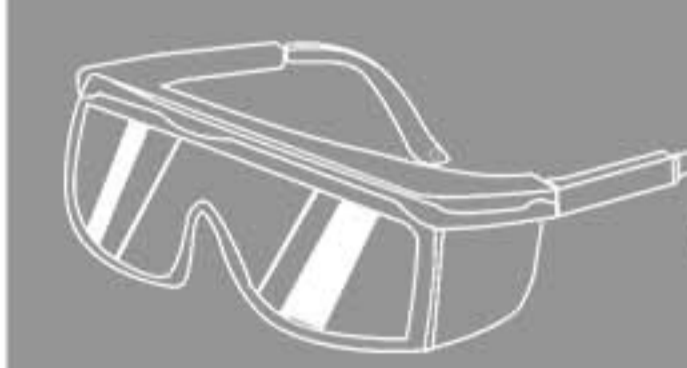
STEPLADDER
(6.5Ft Or More)



SAFETY HAT



GLOVES



SAFETY GOGGLES

ATTENTIONS



Since it is easy to lose many small accessories during the installation, please collect all the screw accessories before the assembly is completed



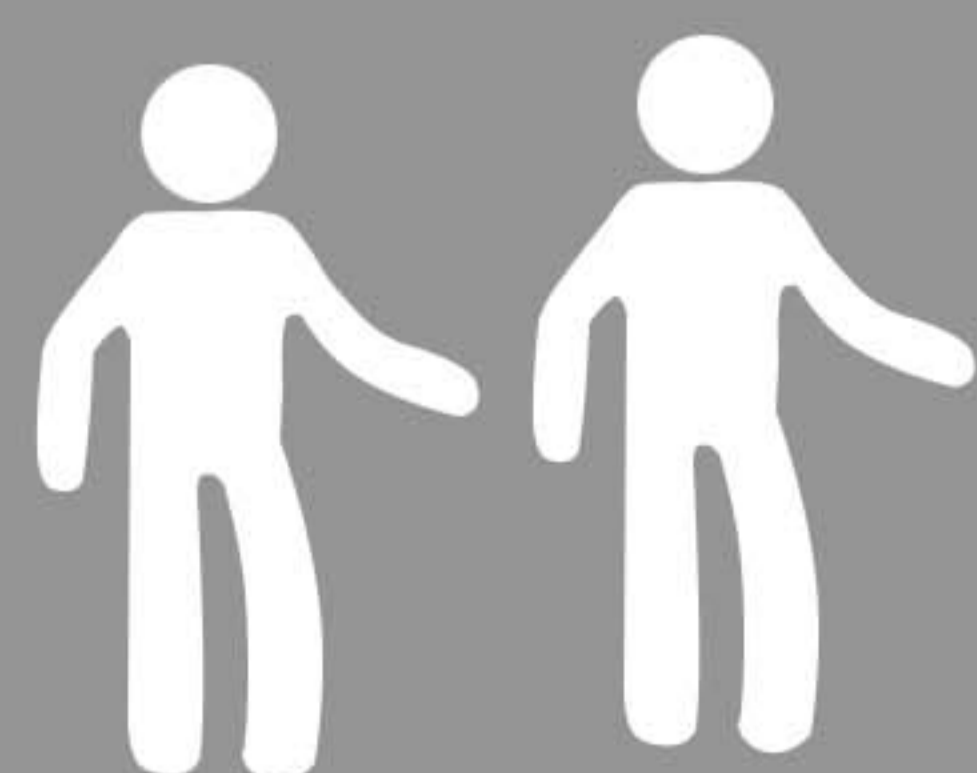
To better align the screws for practical situations, do not fully tighten screws initially



Please reinforced the Gazebo and do not use in heavy winds or inclement weather



Make sure all screws are tightened before use and check all screws, buckles and straps every 90 days



Two or more people are required for assembly



Please clear the snow off the roof in time for the heavy snowfall and do not use it

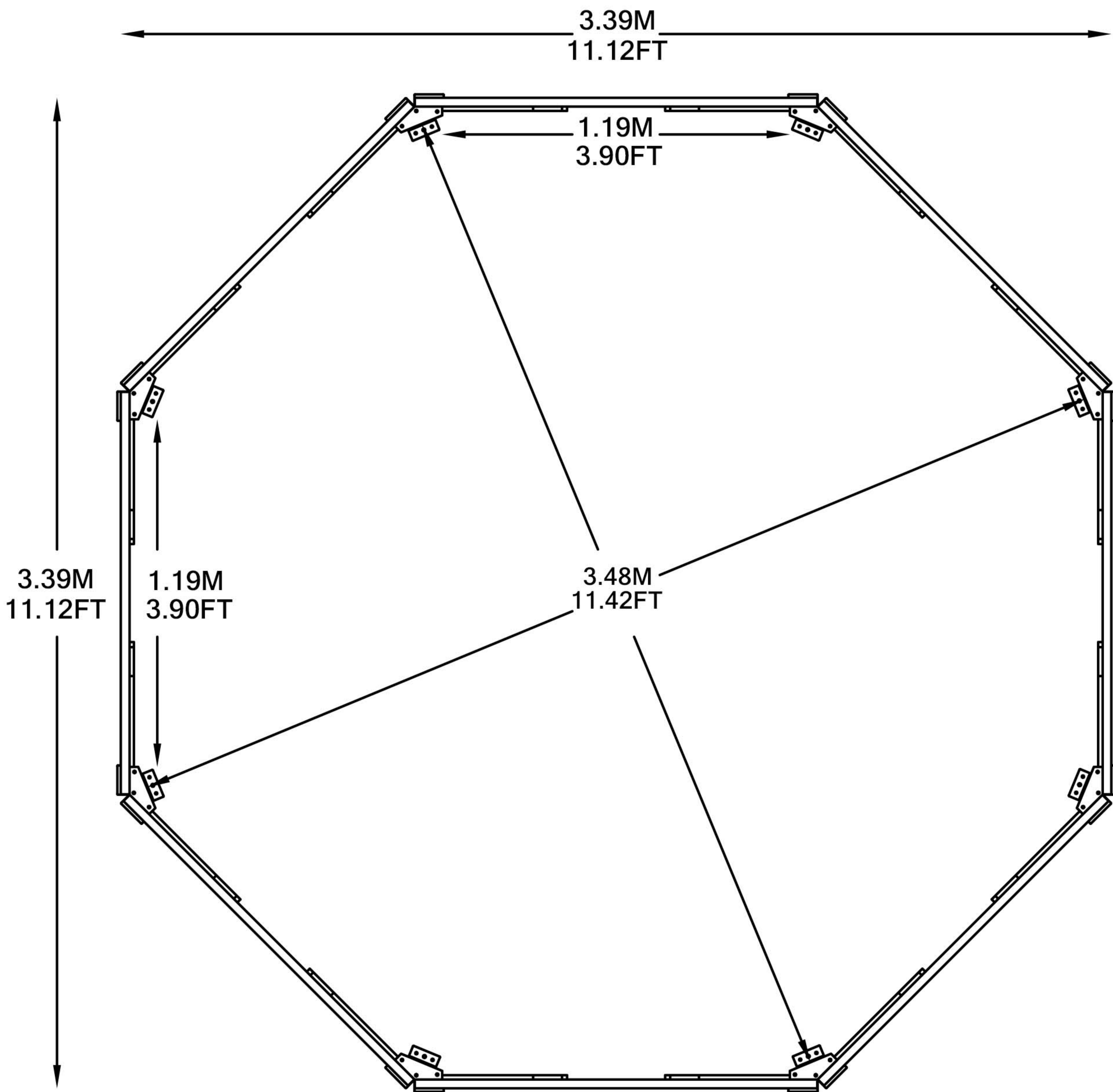
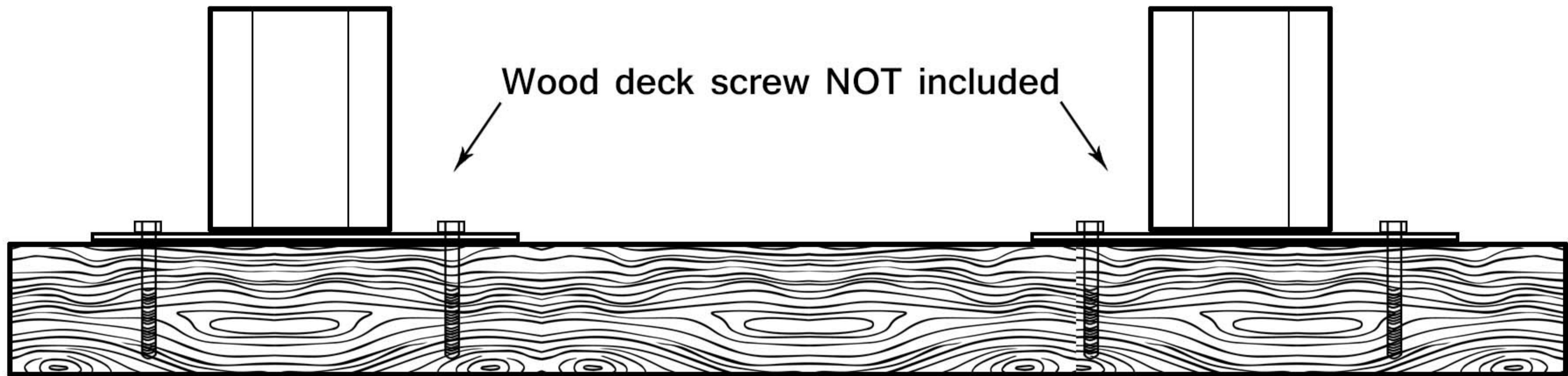
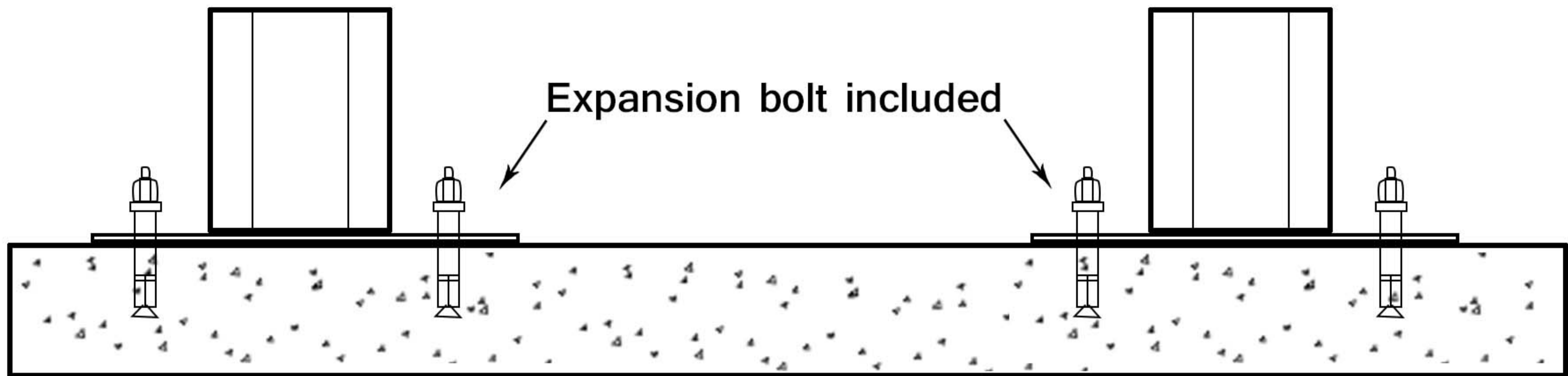
Please take care of the screws and contact the after-sales service if there is any problem with the installation or parts.



E-mail: cs.helper01@gmail.com

Permanent Installation Examples

Our supporting expansion screws can only be used for cement floors, customers need to bring their own special screws if they are used for wood floors

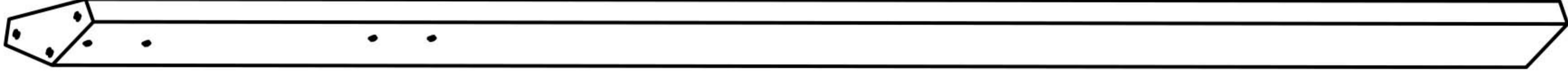


Please take care of the screws and contact the after-sales service if there is any problem with the installation or parts.

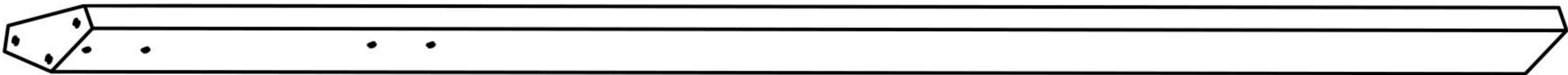
➔ ✉ E-mail: cs.helper01@gmail.com

ACCESSORY CATALOGUE

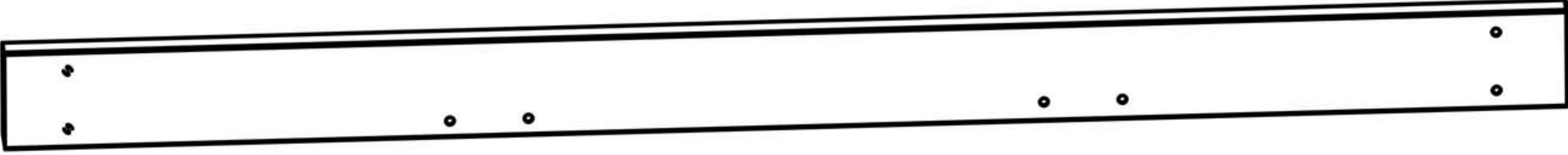

BOX 1 SKU: C001G050WF-1

Item no.	Reference Image	Qty.
A		4

BOX 2 SKU: C001G050WF-2

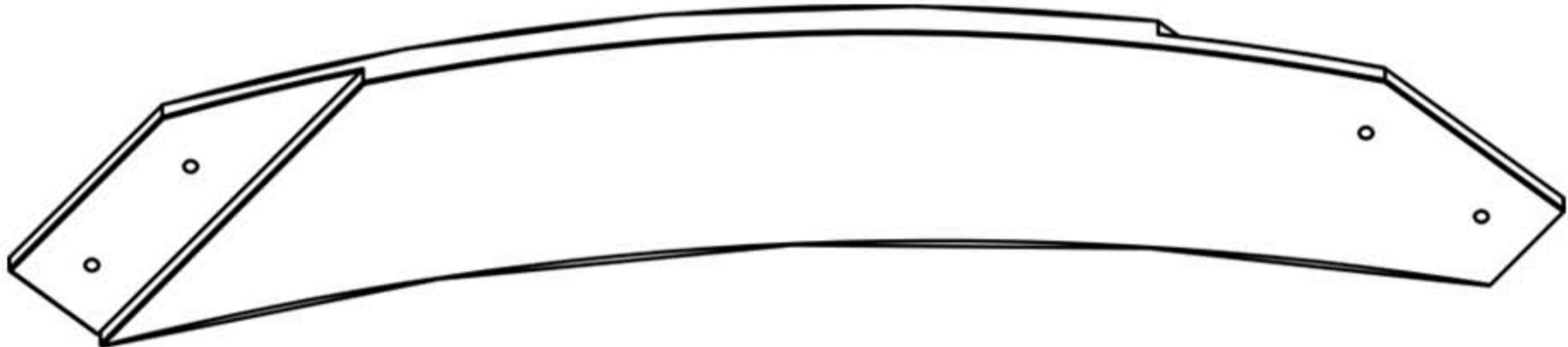
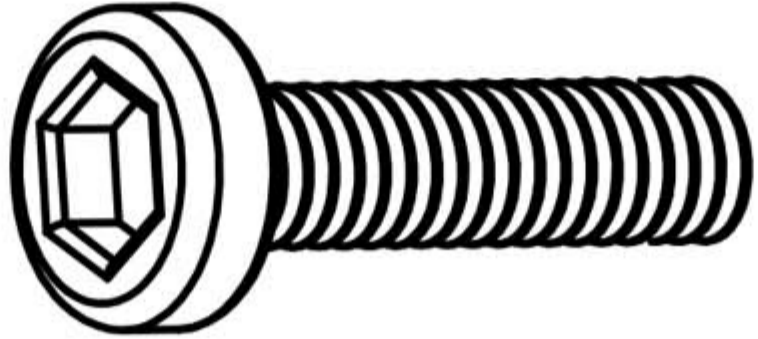
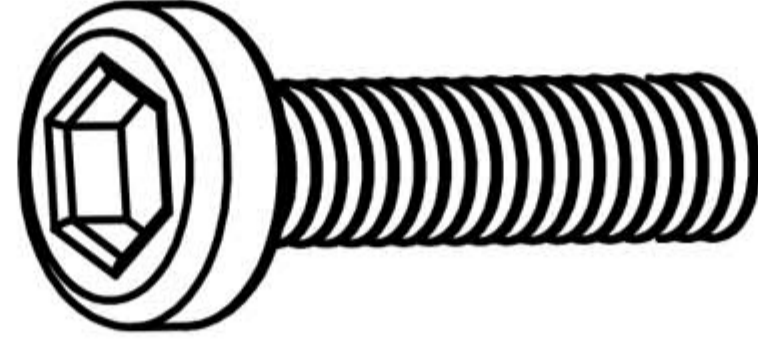
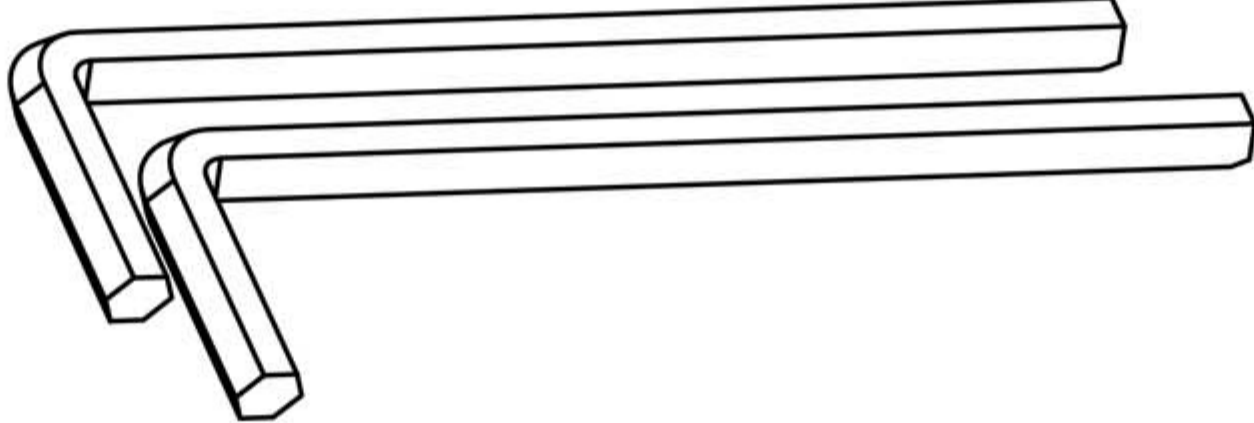
Item no.	Reference Image	Qty.
A		4

BOX 3 SKU: C001G050WF-3


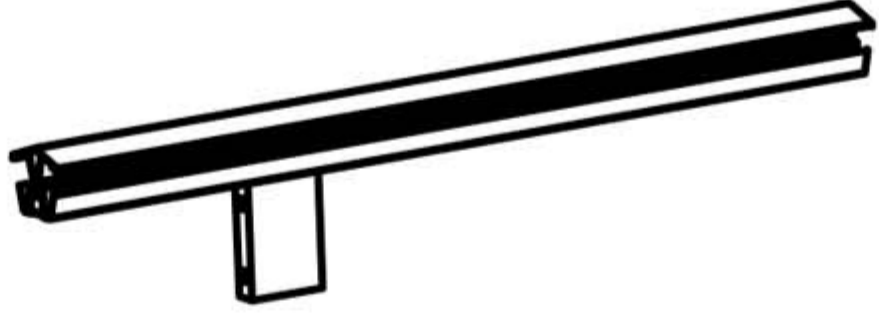
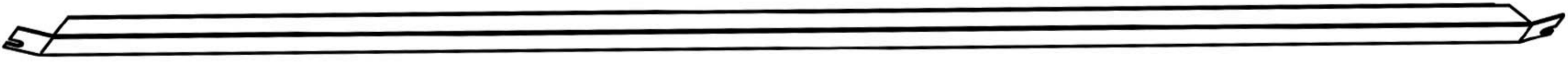
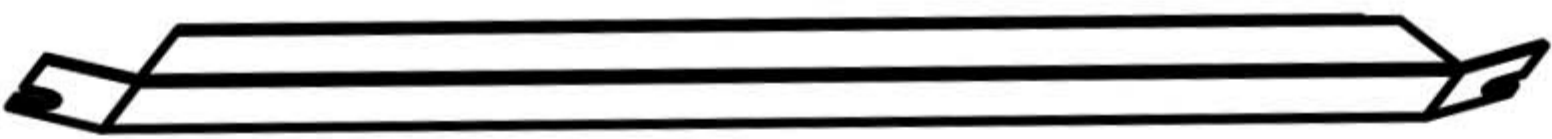
Item no.	Reference Image	Qty.
B		8
F		8

Please take care of the screws and contact the after-sales service if there is any problem with the installation or parts.

ACCESSORY CATALOGUE

Item no.	Reference Image	Qty.
F1		8
X	 M8X45mm	32
X1	 M8X35mm	64
1		1

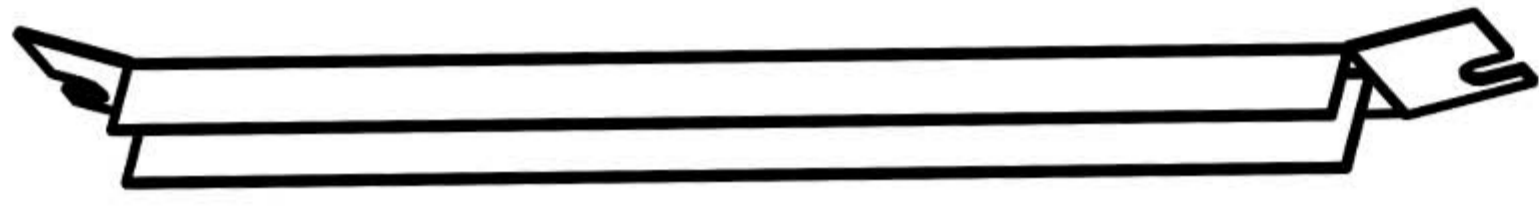
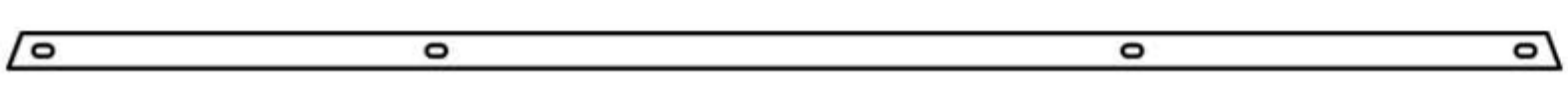
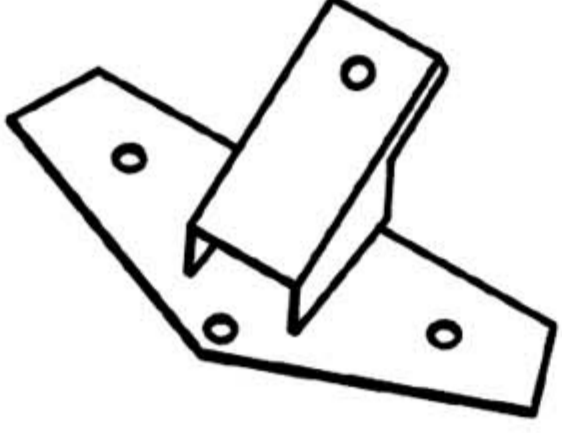
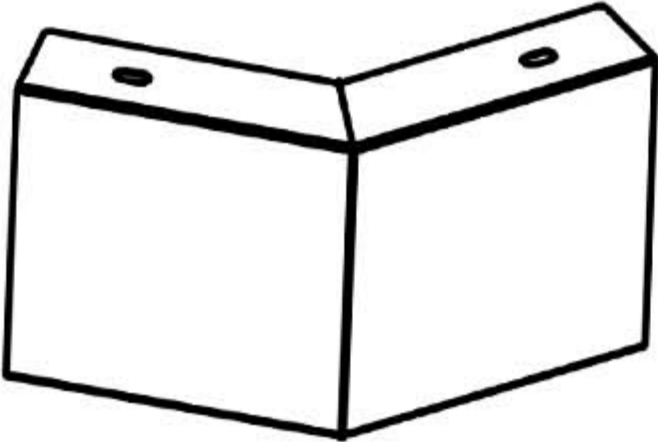
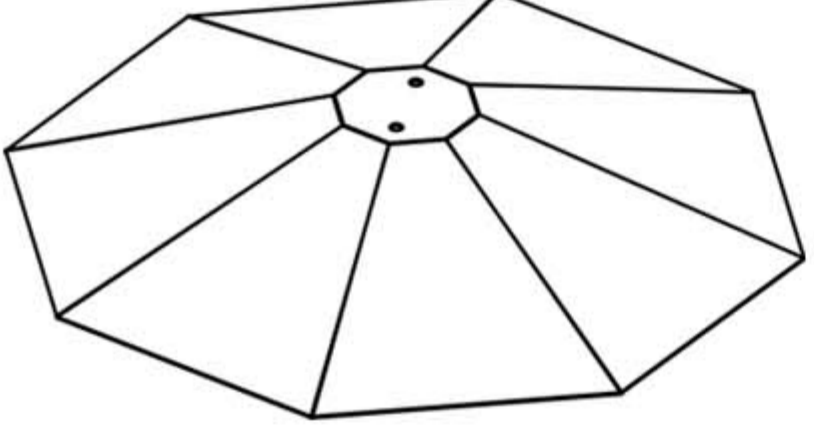
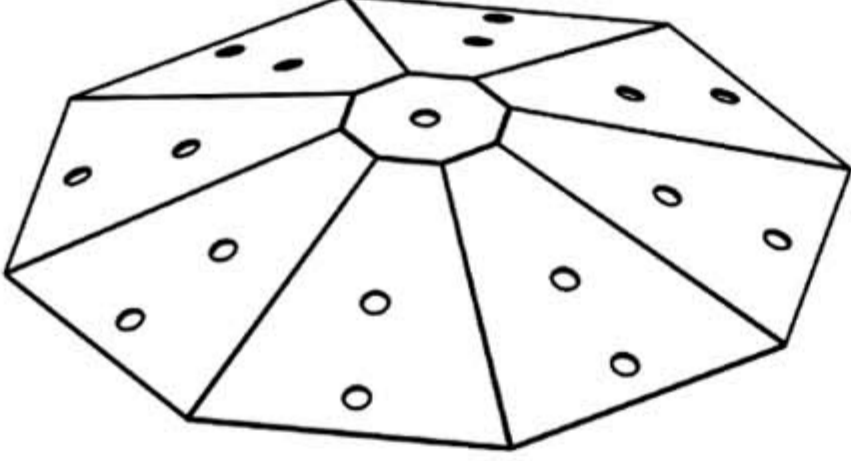
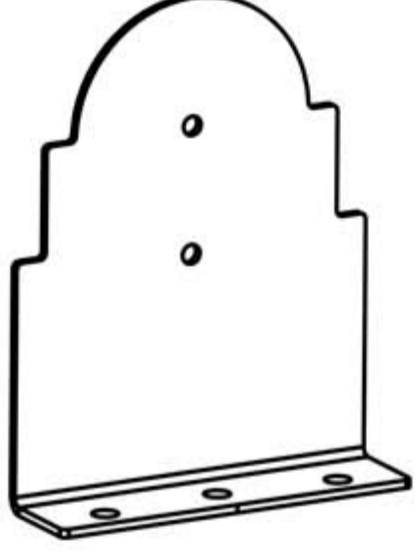
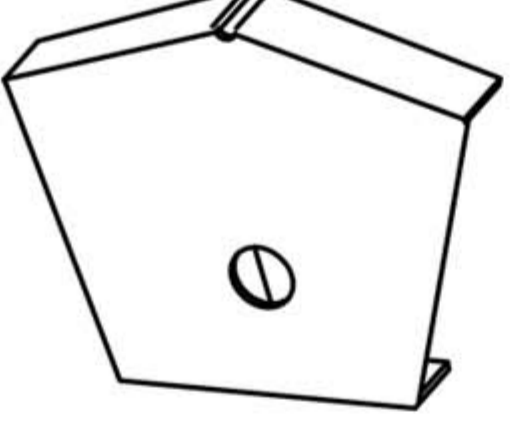
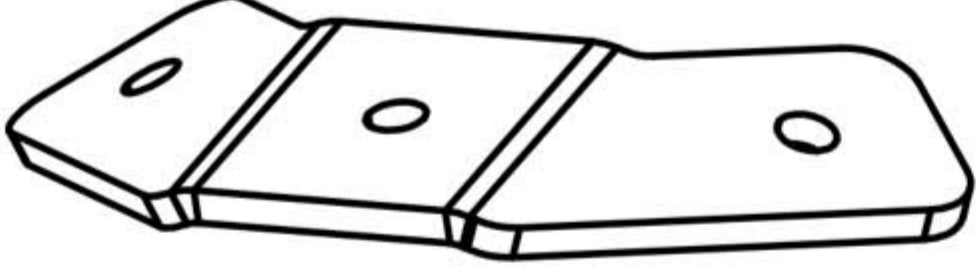
BOX 4 SKU: C001G050WF-4

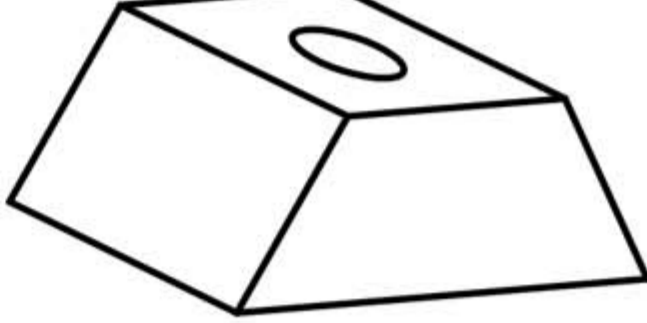
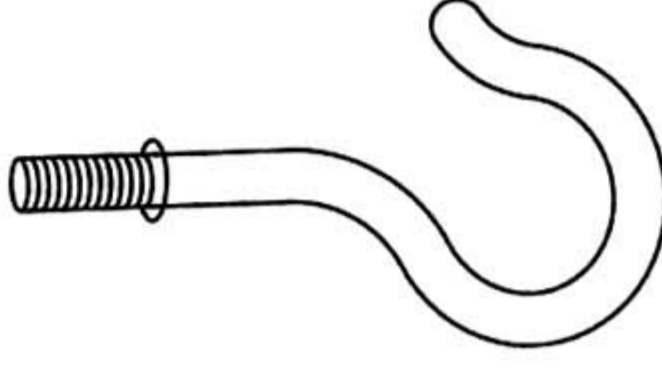
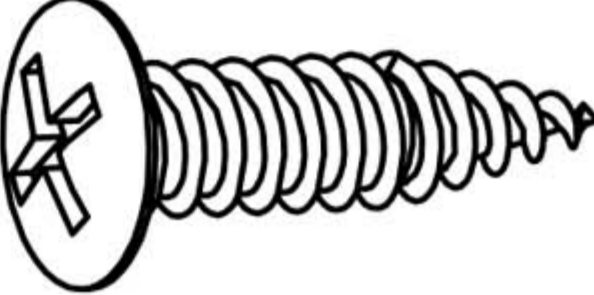
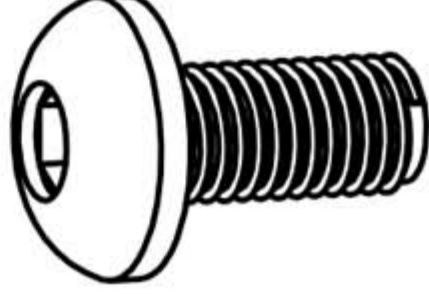
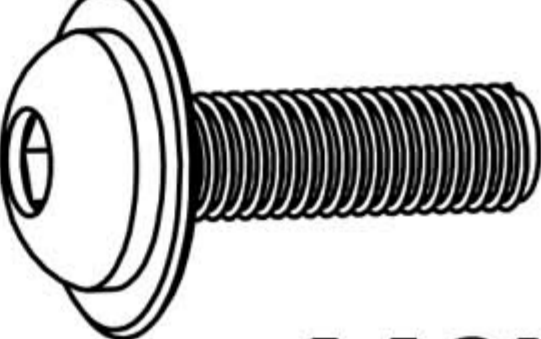
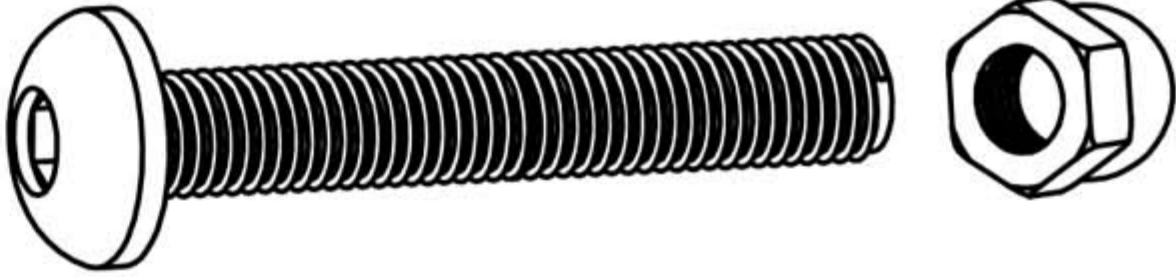

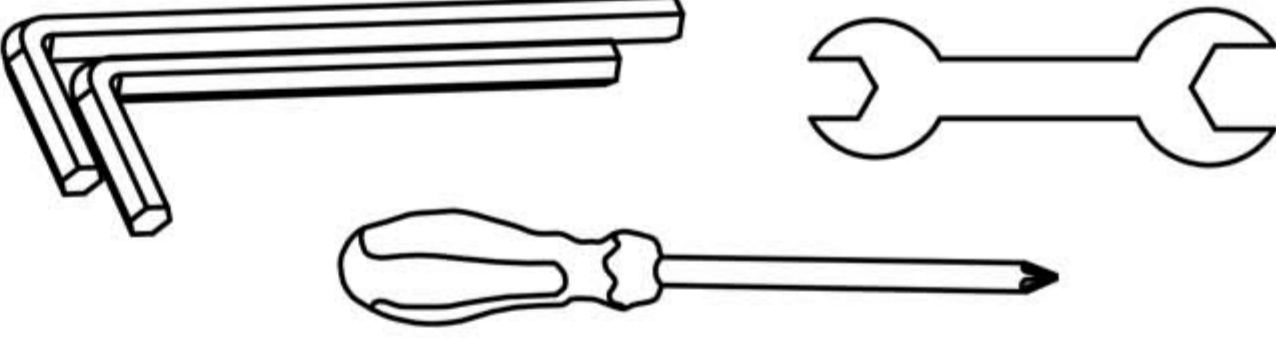
Item no.	Reference Image	Qty.
E		8
E1		8
G1		8
G2		8

Please take care of the screws and contact the after-sales service if there is any problem with the installation or parts.

➔ ✉ E-mail: cs.helper01@gmail.com

ACCESSORY CATALOGUE

Item no.	Reference Image	Qty.
G3		8
H		8
I		8
J1		8
K		1
K1		1
L		24
M2		16
M3		8

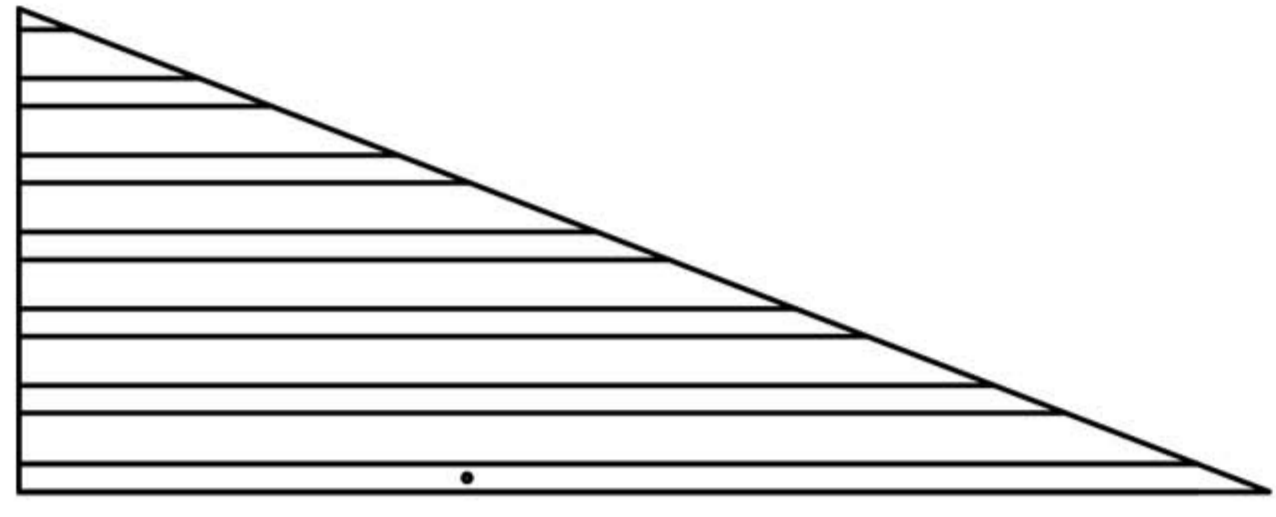
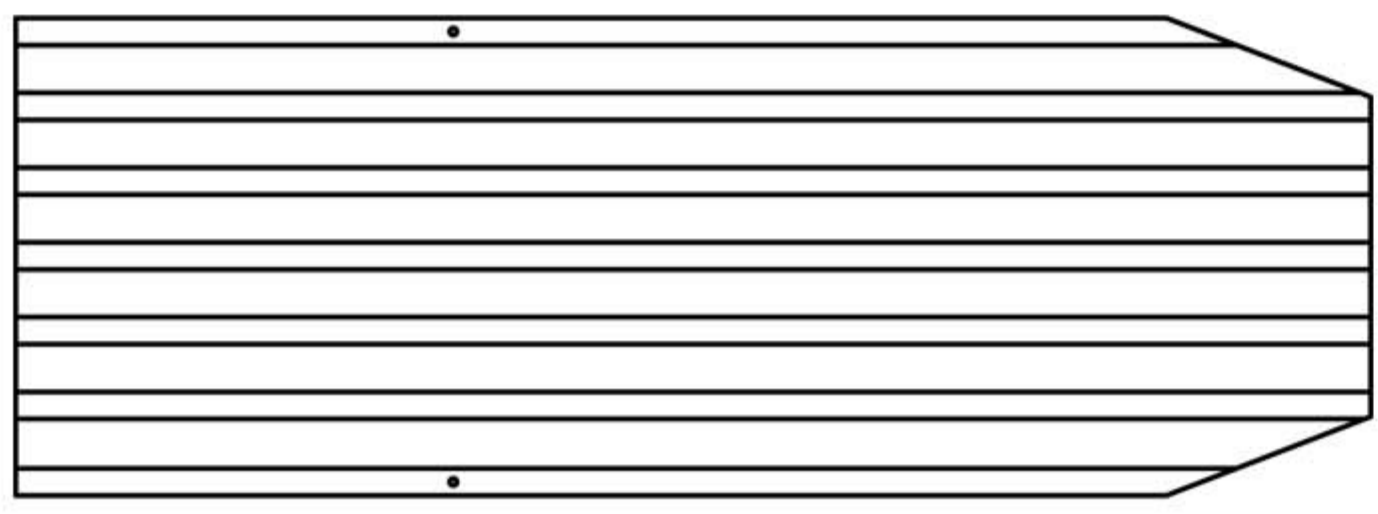
Item no.	Reference Image	Qty.
M5		16
M7		1
X2	 M4X25mm	80
X3	 M6X15mm	120
X4	 M6X30mm	8
X5	 M6X42mm	16
2		16
3		1

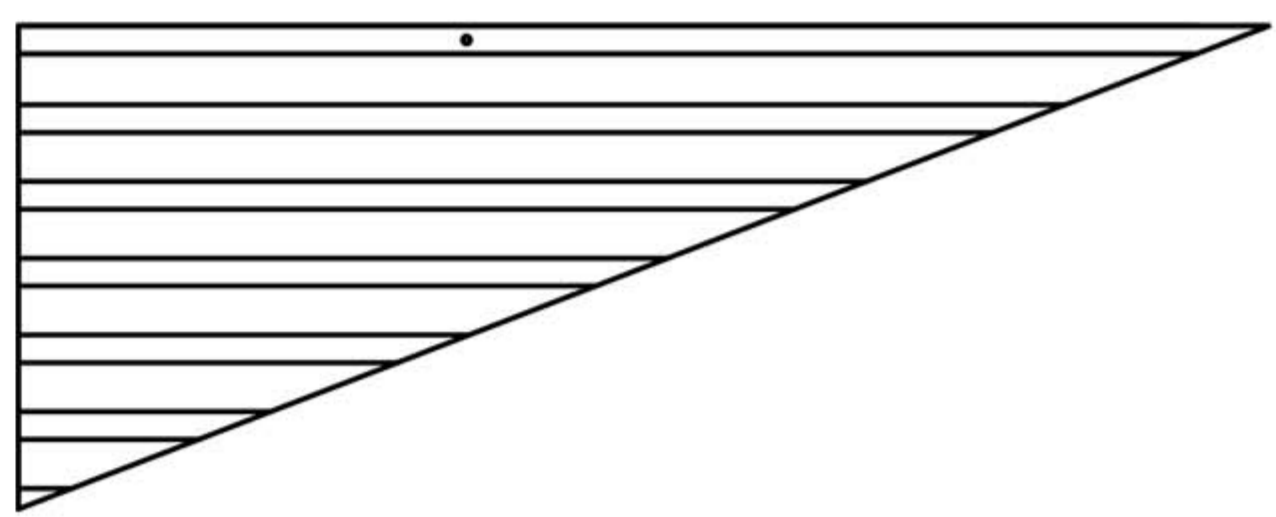
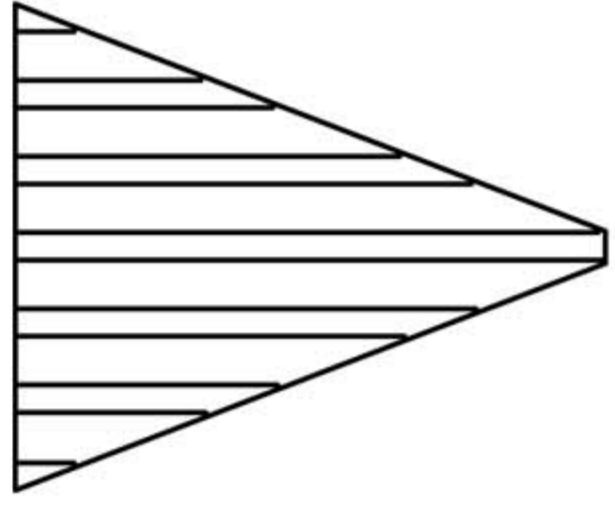
Please take care of the screws and contact the after-sales service if there is any problem with the installation or parts.



ACCESSORY CATALOGUE

BOX 5 SKU: C001G050WF-5

Item no.	Reference Image	Qty.
N1		8
N2		8

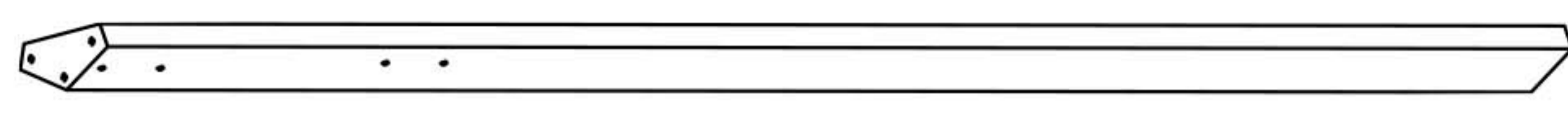
Item no.	Reference Image	Qty.
N3		8
N4		8

Please take care of the screws and contact the after-sales service if there is any problem with the installation or parts.

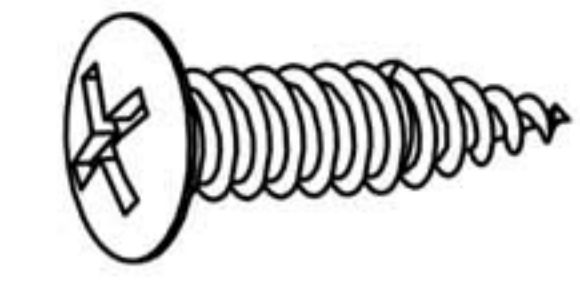
➔  E-mail: cs.helper01@gmail.com

STEP 1

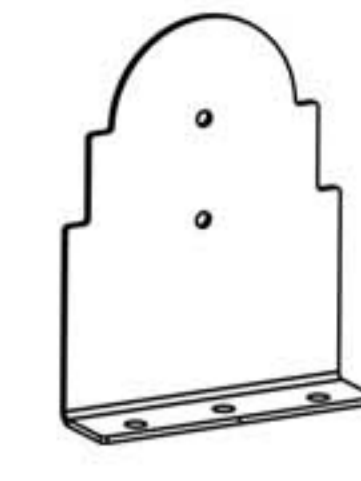
Parts required



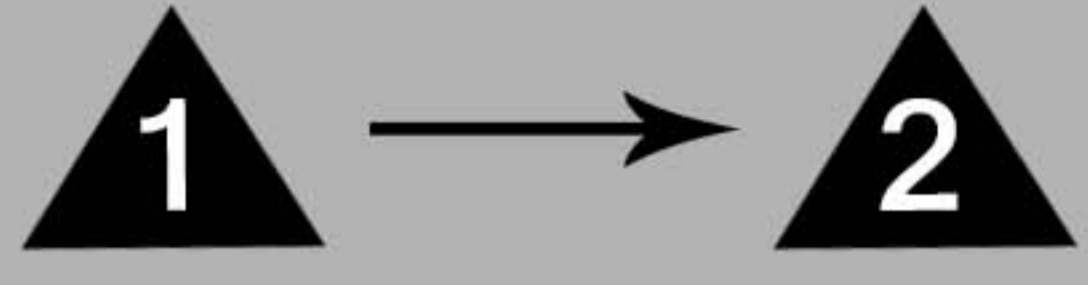
A 8pcs



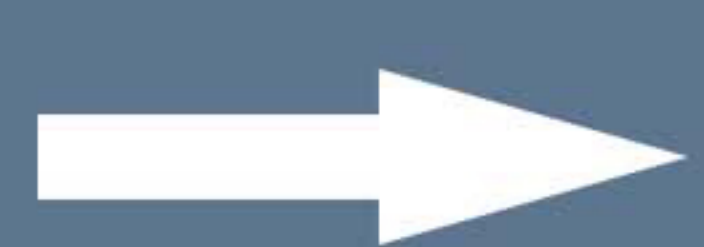
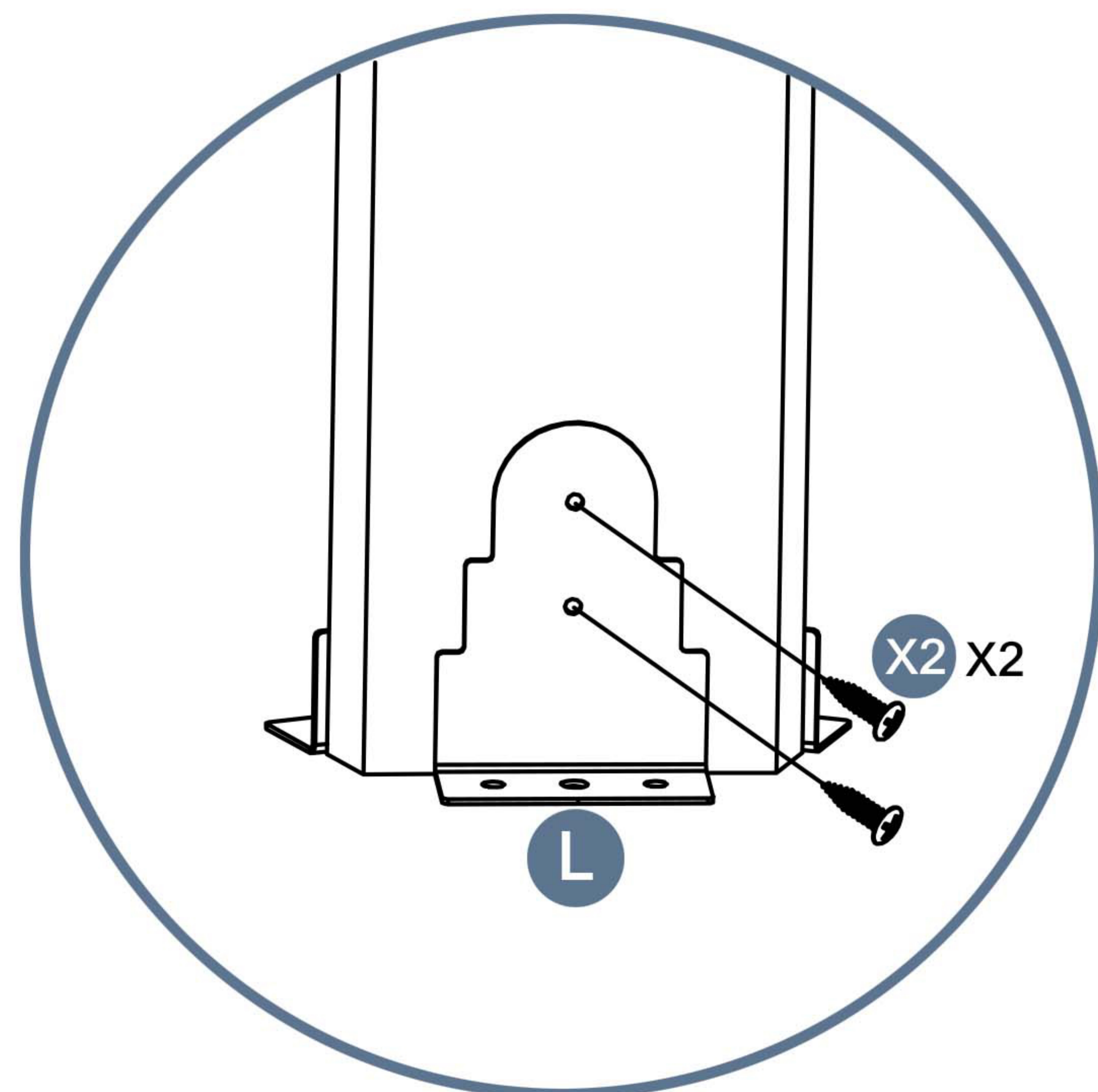
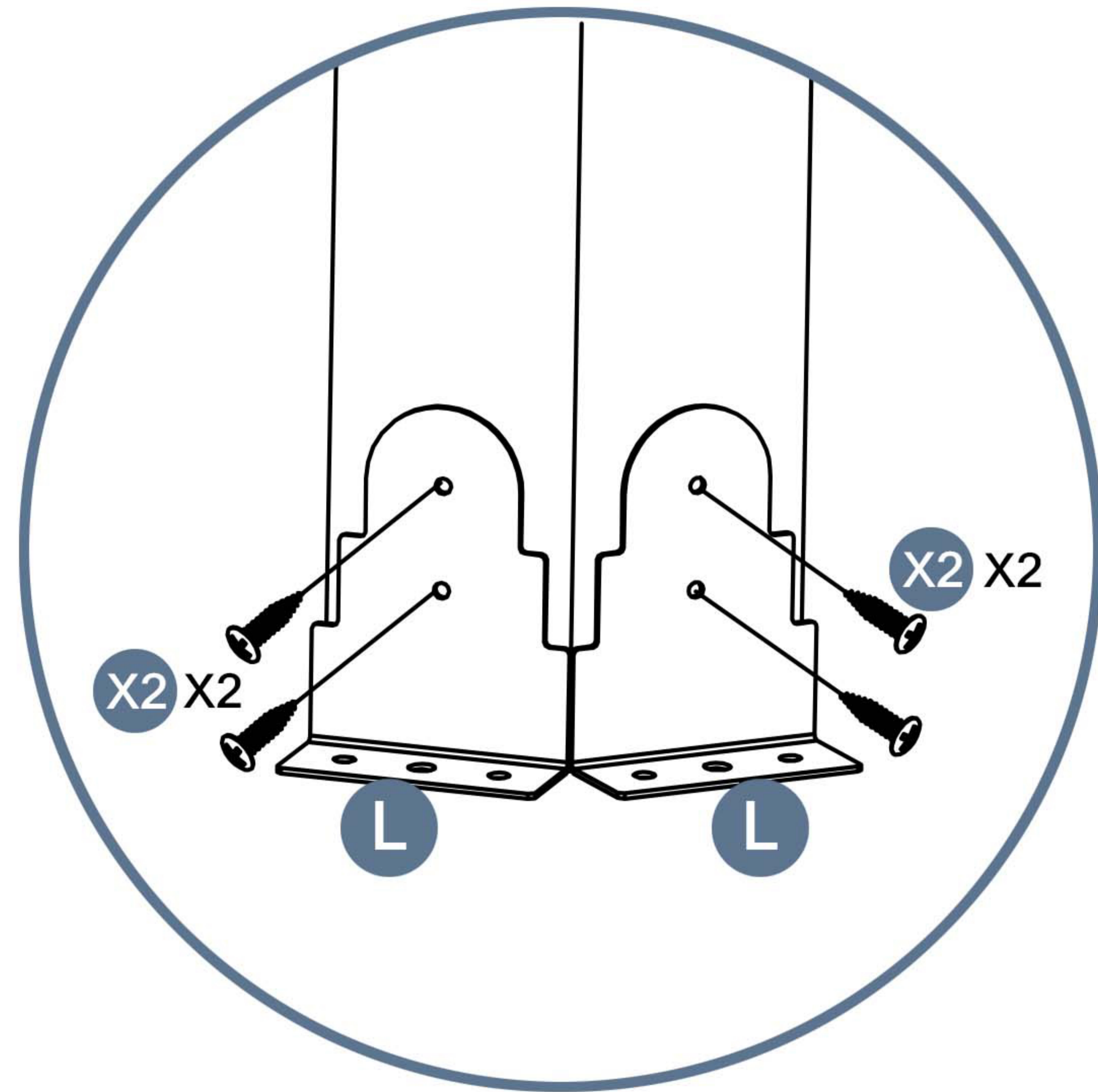
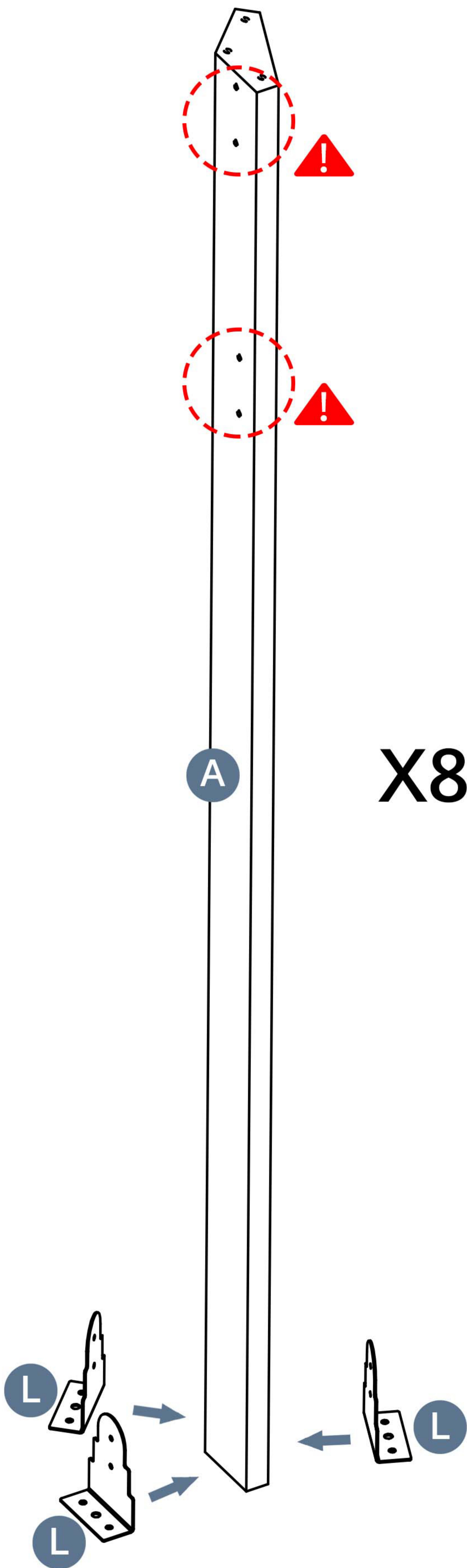
X2 48pcs



L 24pcs

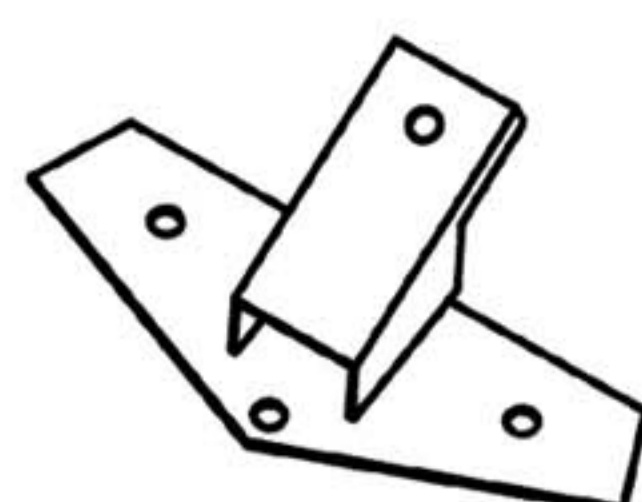


! Please note the orientation of the hole.



STEP 2

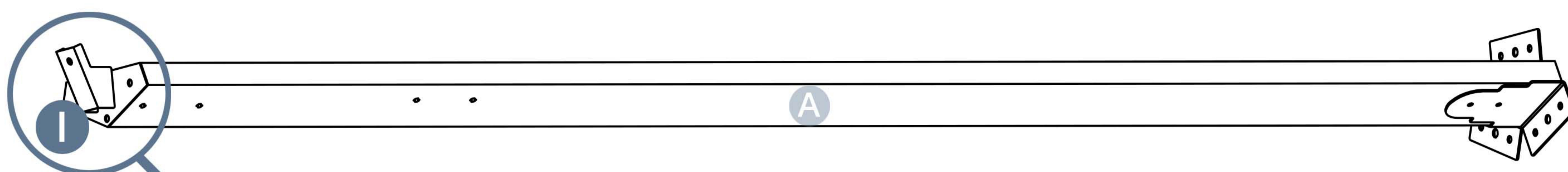
Parts required



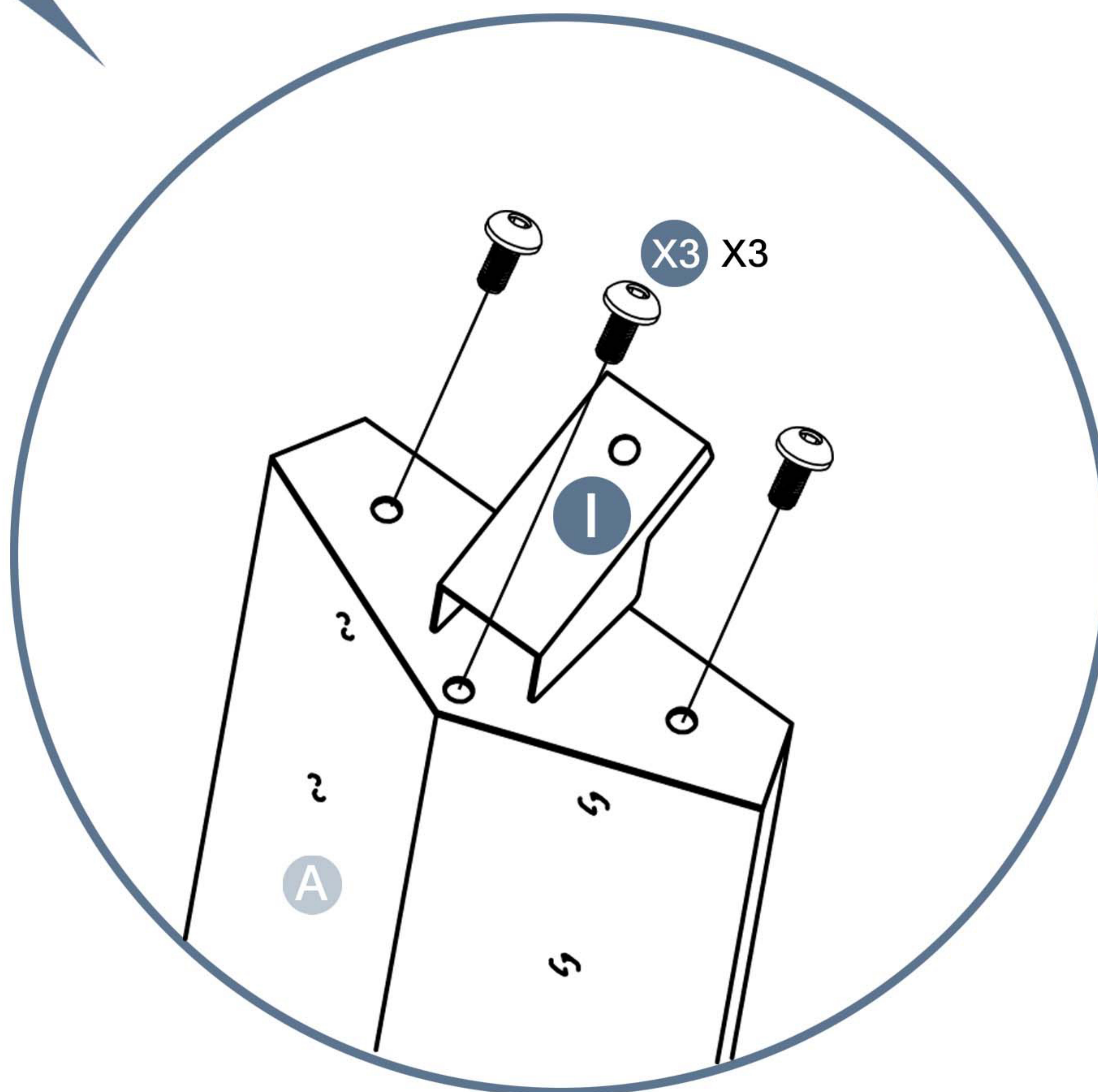
1 8pcs



X3 24pcs



X8



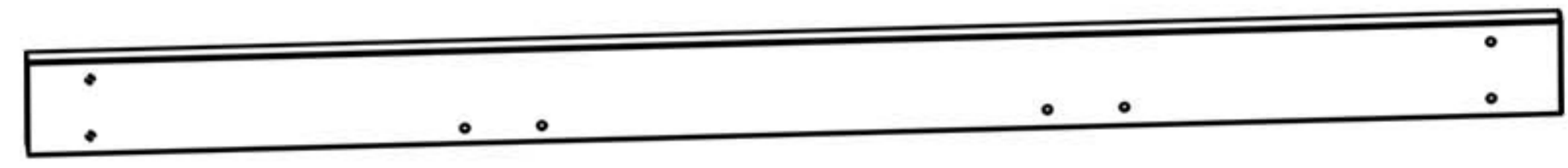
Please take care of the screws and contact the after-sales service if there is any problem with the installation or parts.



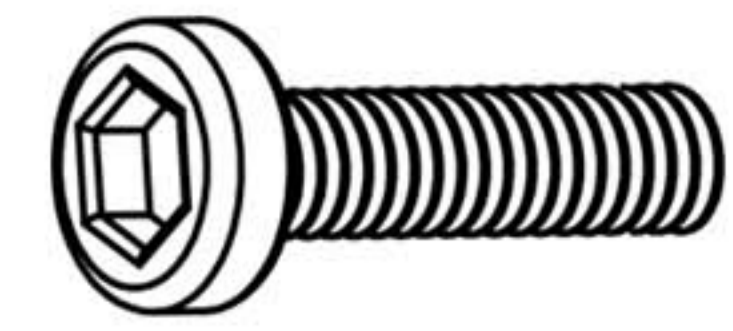
E-mail: cs.helper01@gmail.com

STEP 3

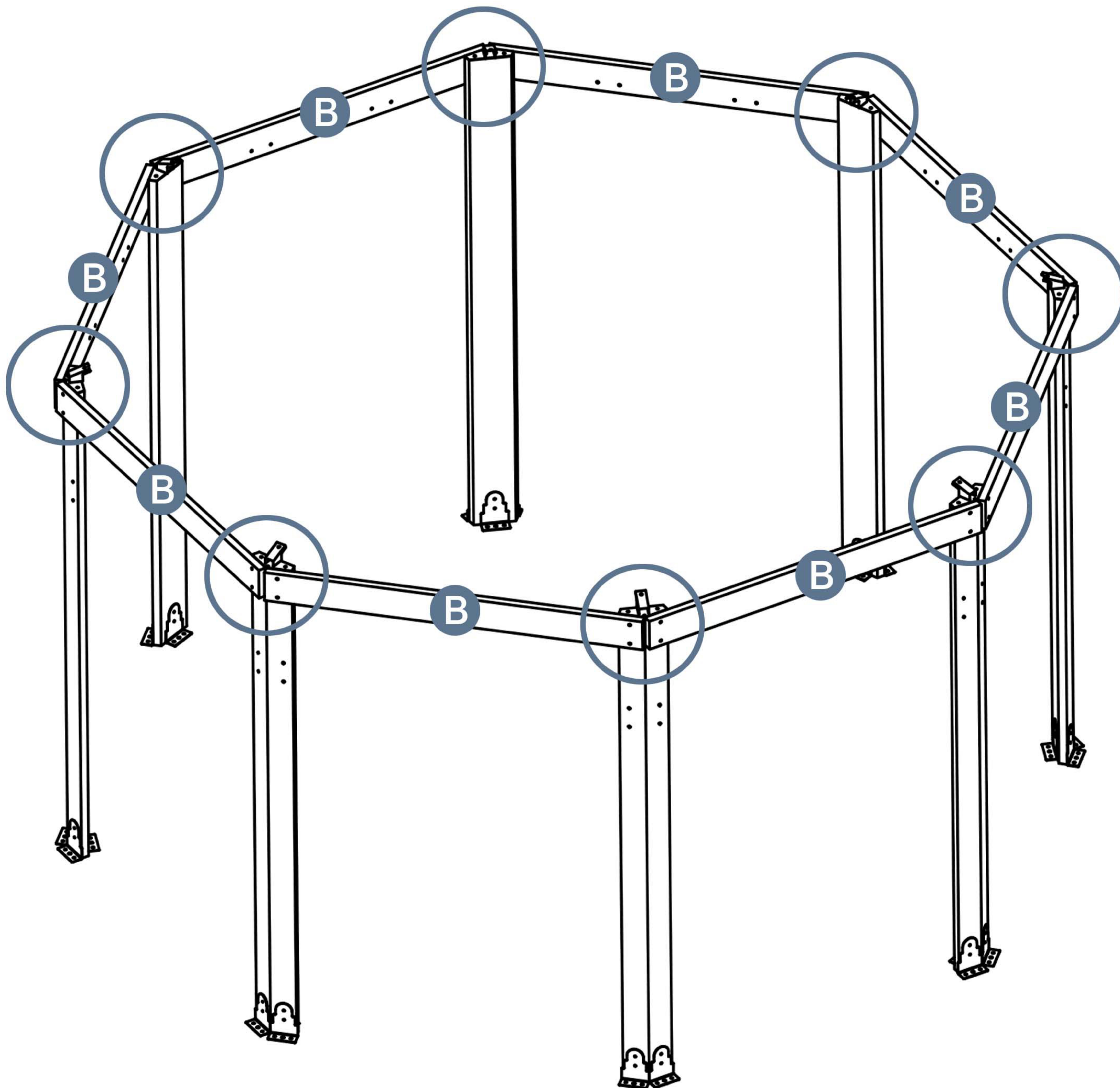
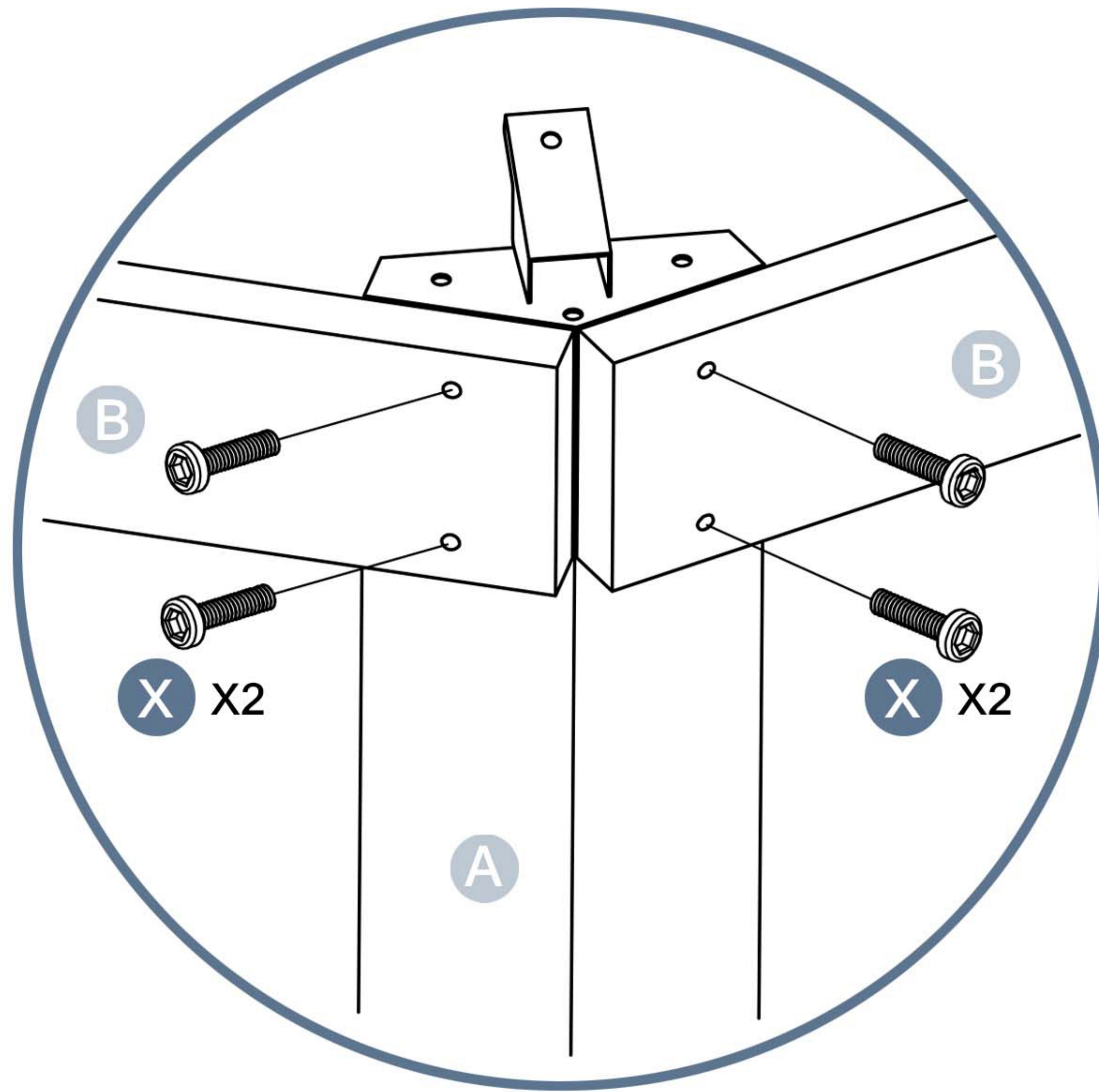
Parts required



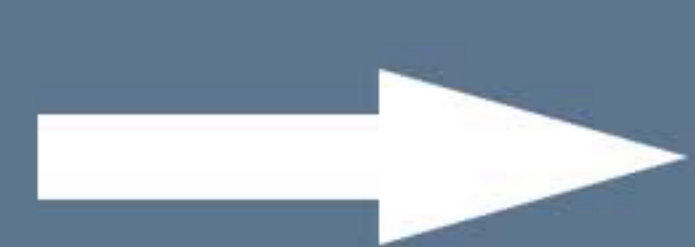
B 8pcs



X 32pcs

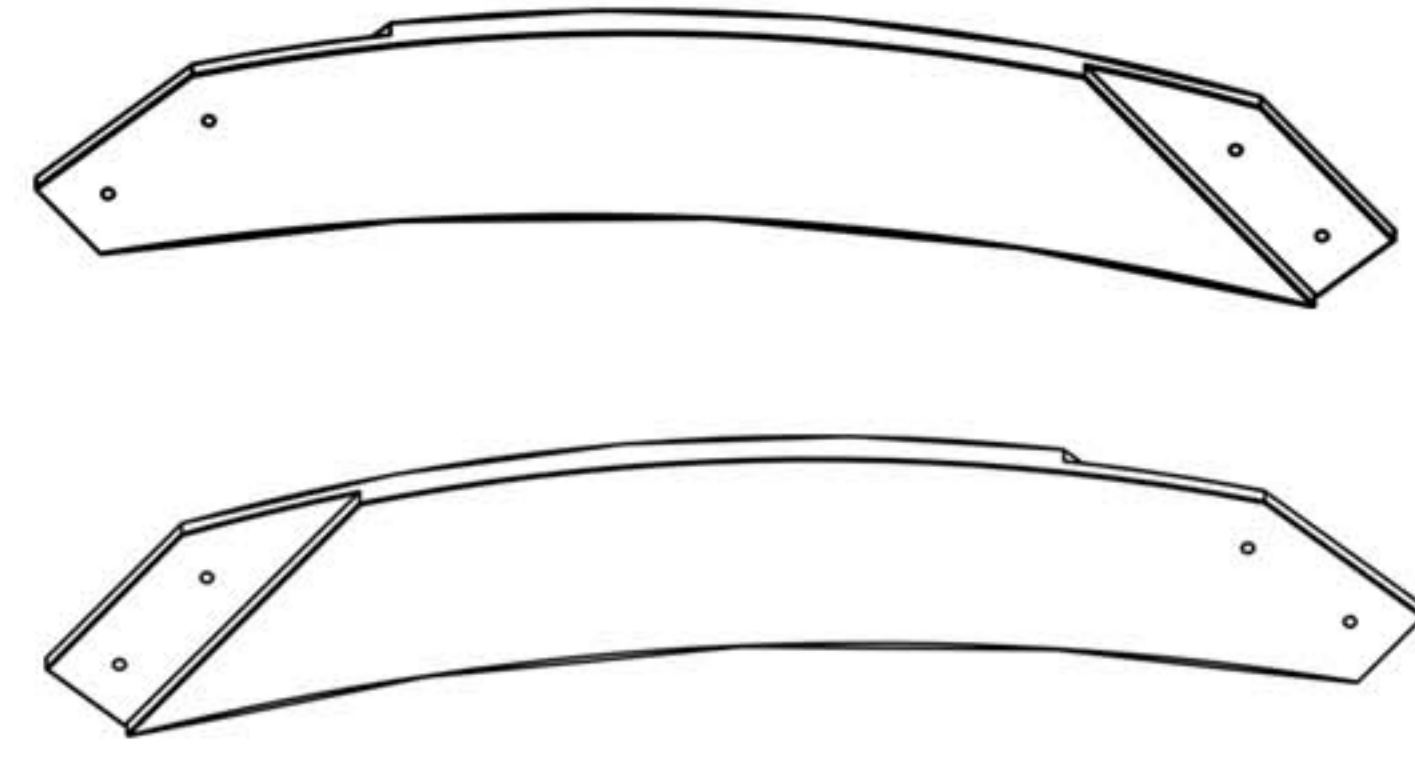


Please take care of the screws and contact the after-sales service if there is any problem with the installation or parts.



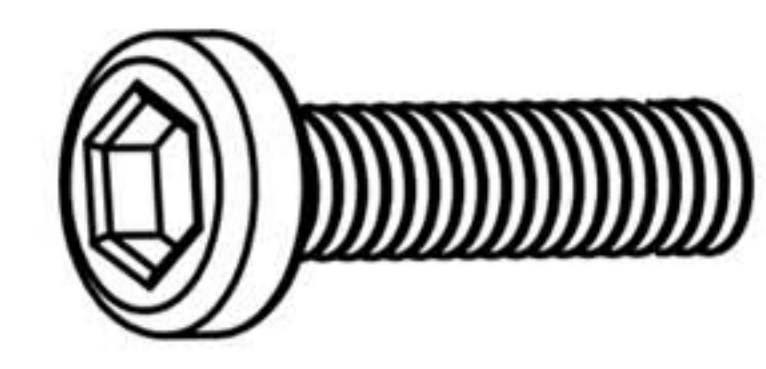
STEP 4

Parts required

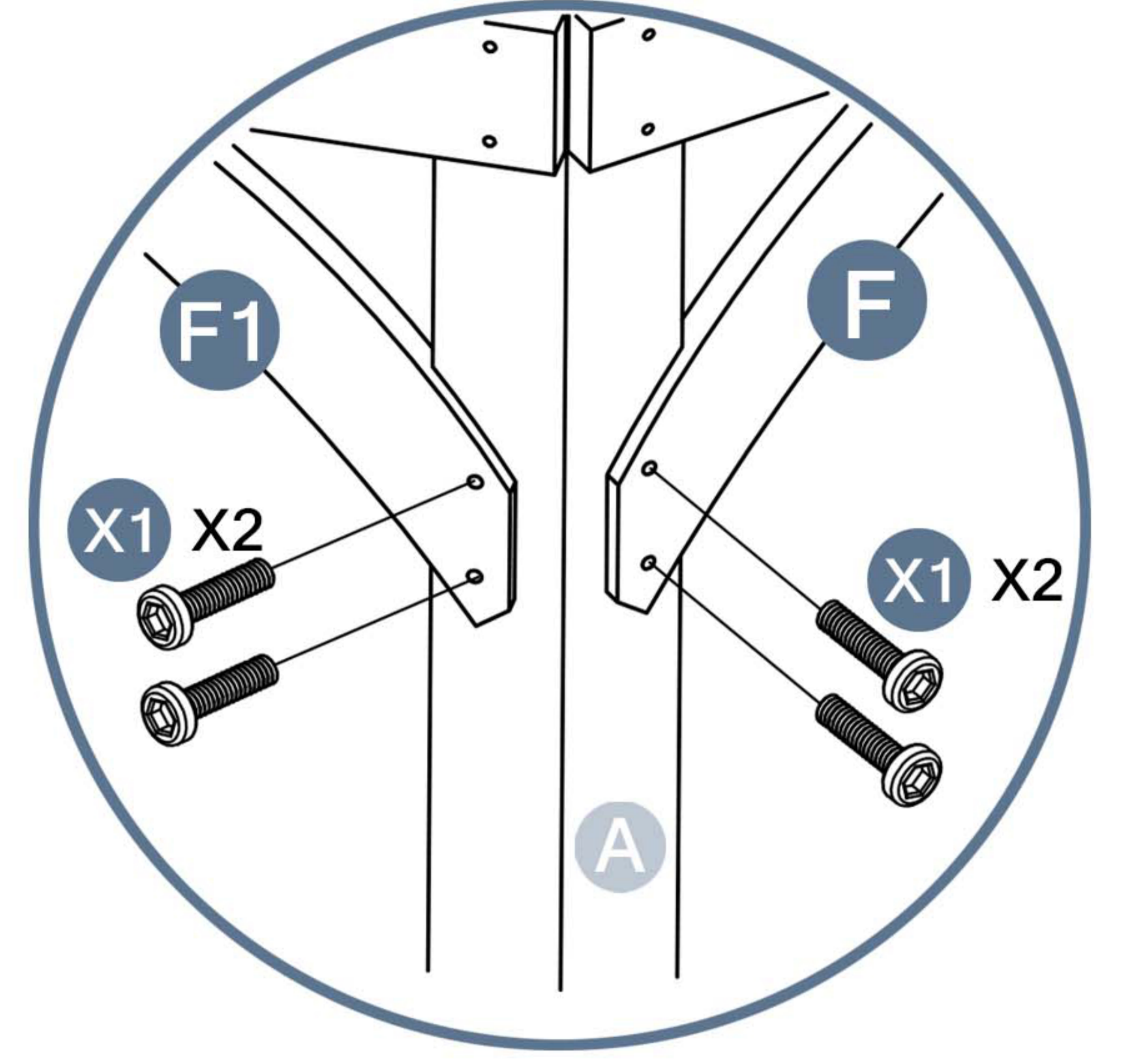
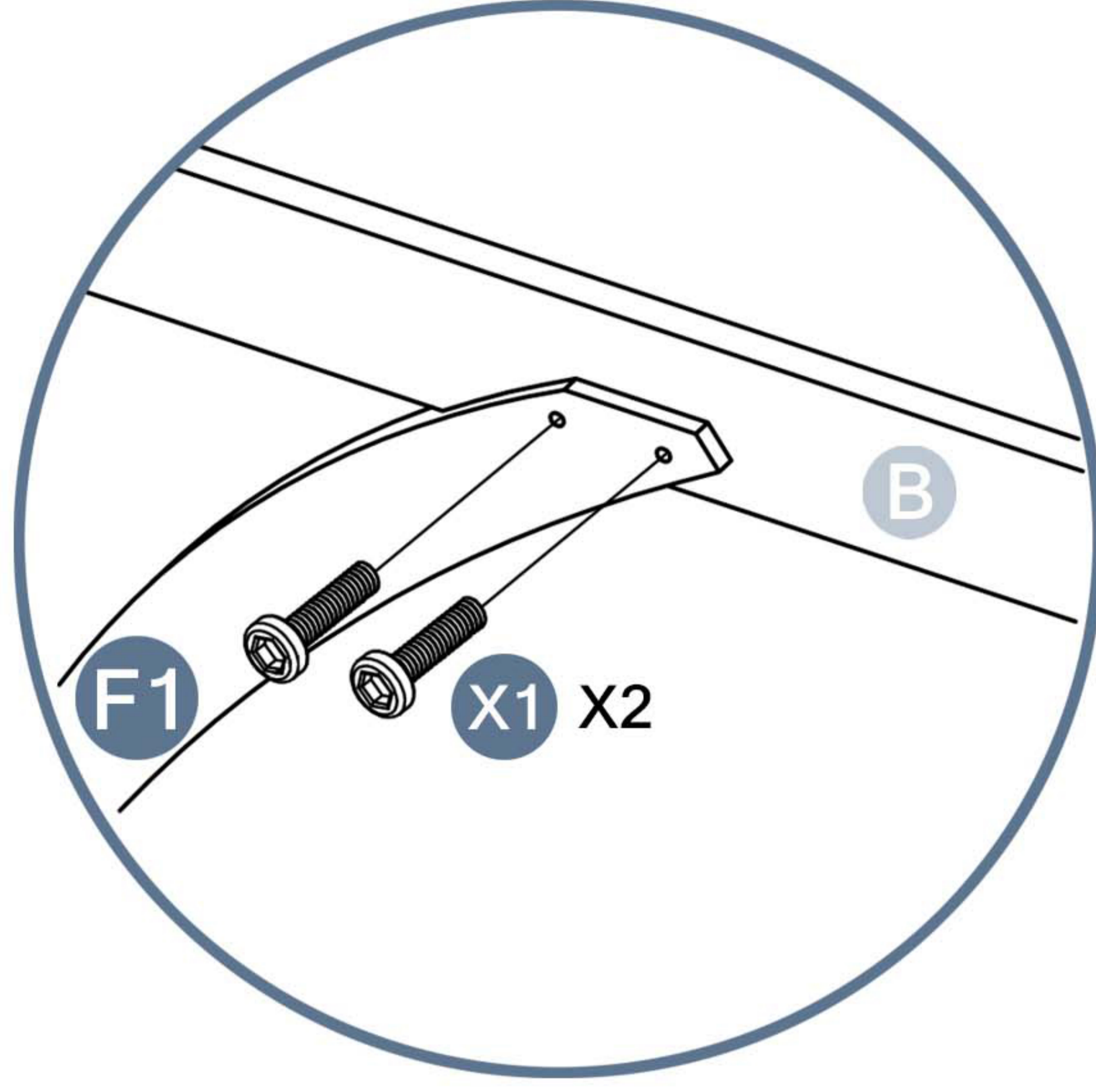
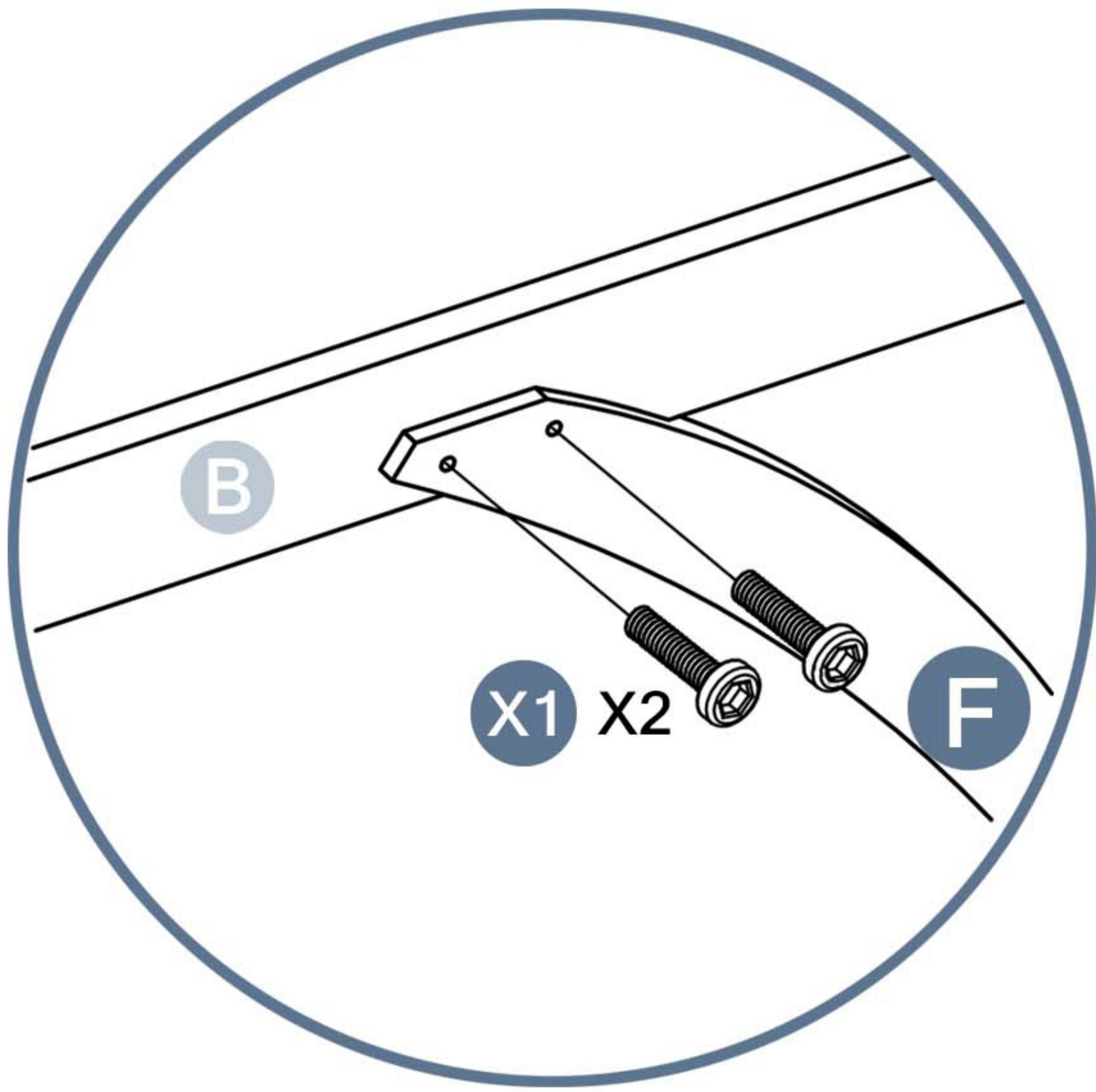


F 8pcs

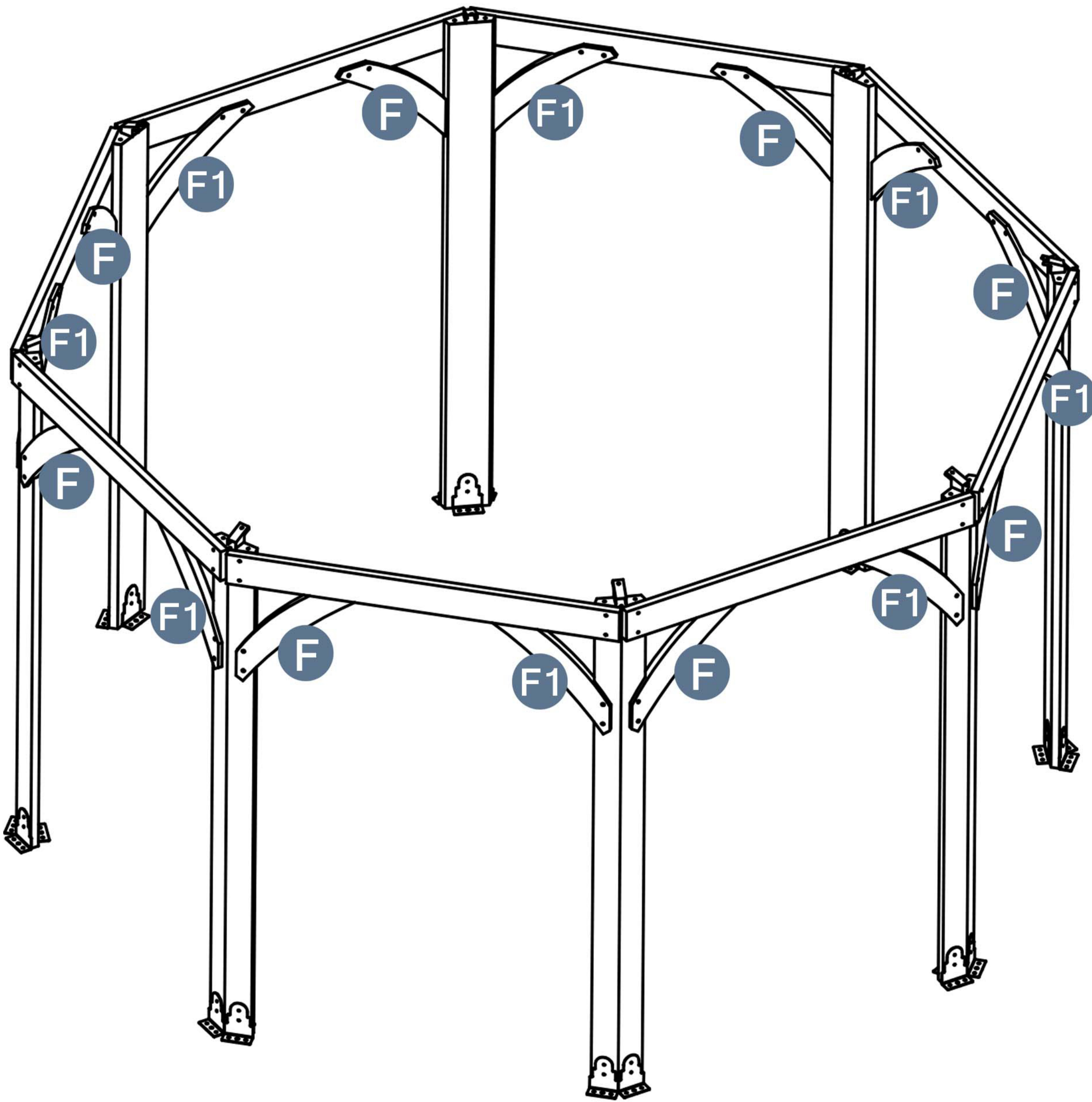
F1 8pcs



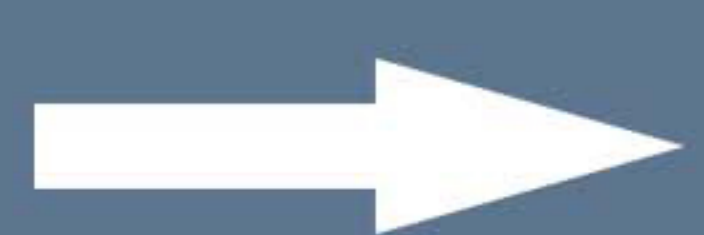
X1 64pcs



!!! When installing F and F1, please note that the top is on the inside and the bottom is on the outside.



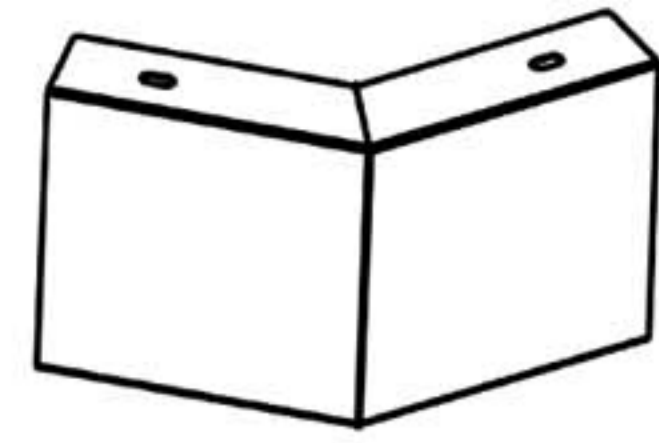
Please take care of the screws and contact the after-sales service if there is any problem with the installation or parts.



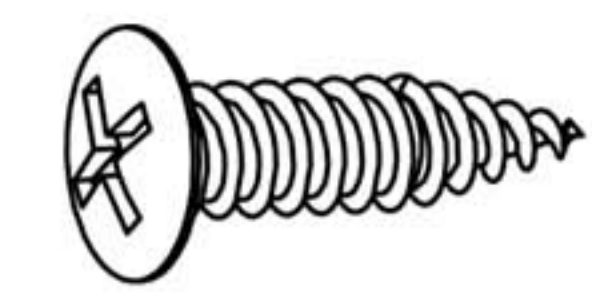
E-mail: cs.helper01@gmail.com

STEP 5

Parts required



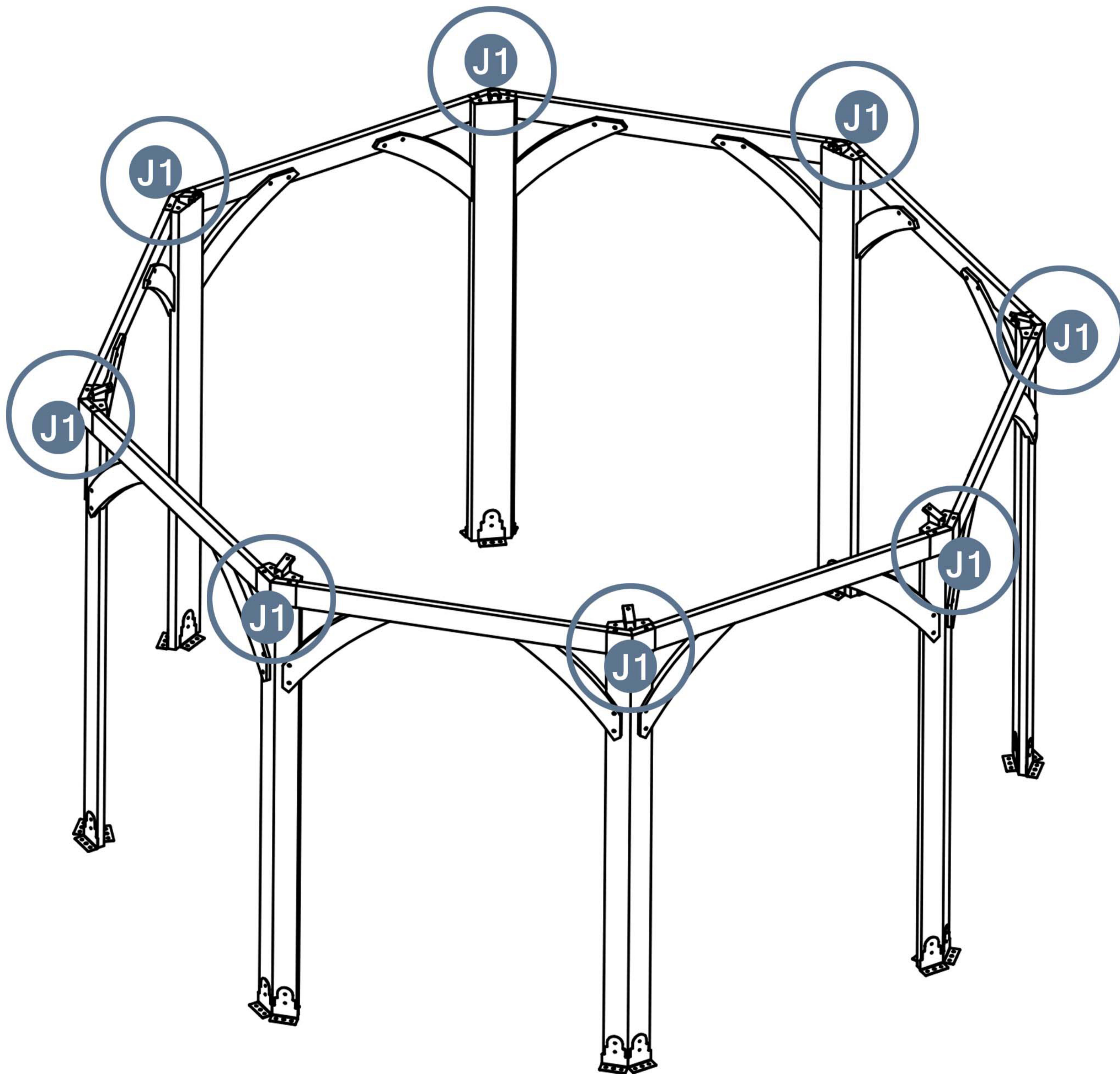
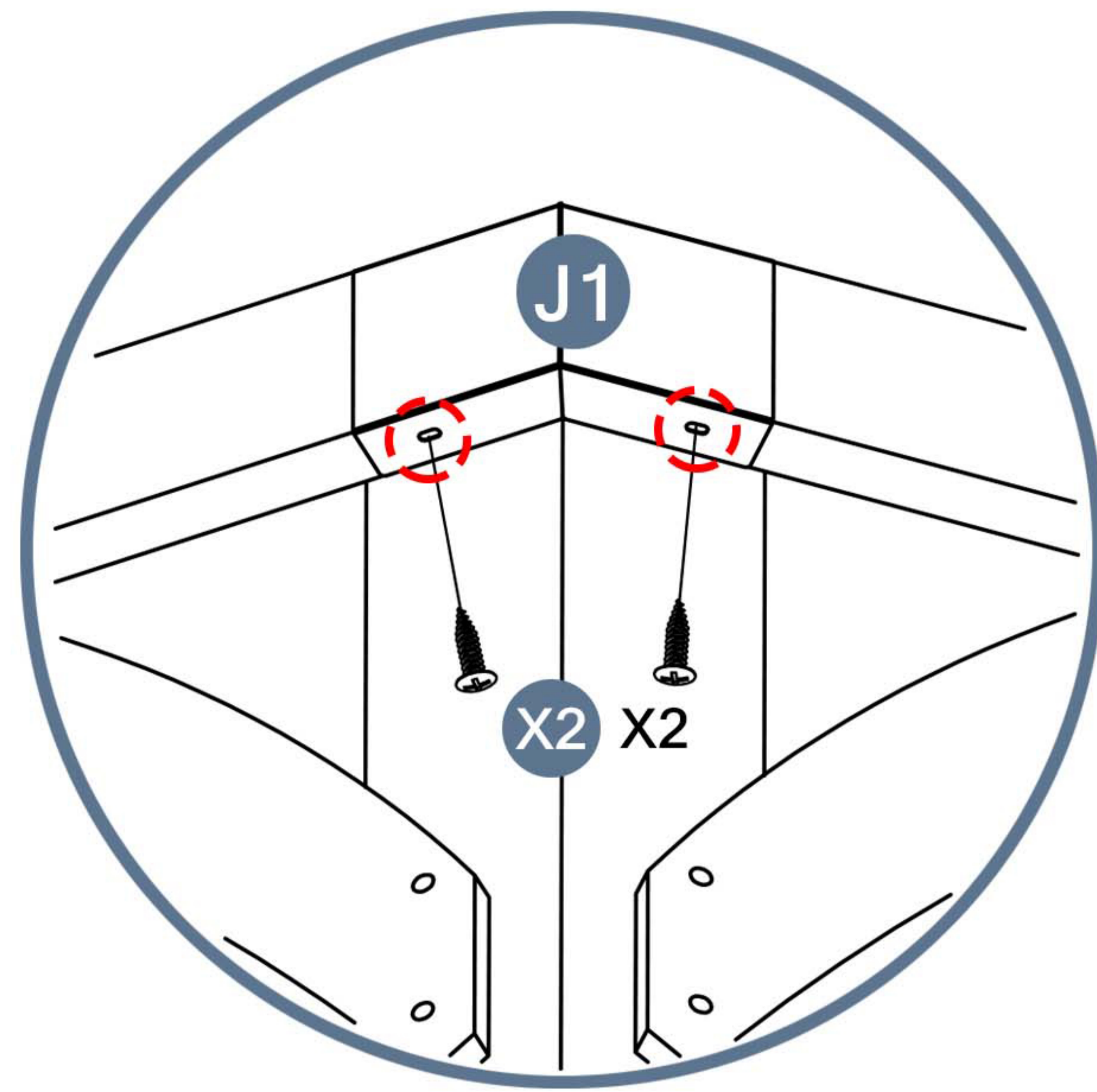
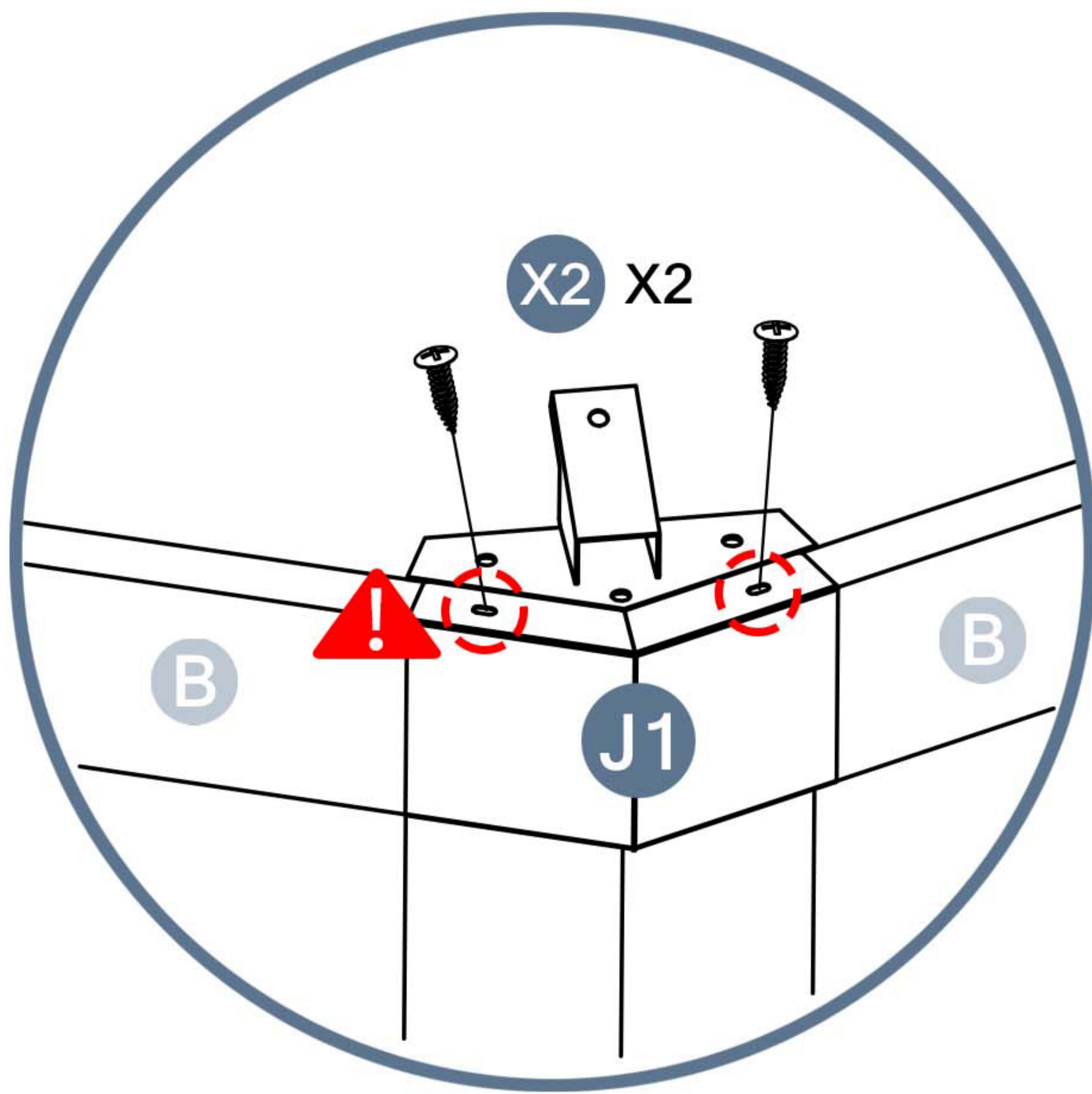
J1 8pcs



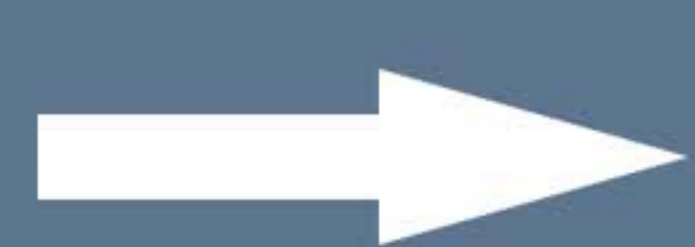
X2 32pcs



Please Note that the X2 circled in red is a self-tapping nail without hole, it can be directly tightened.



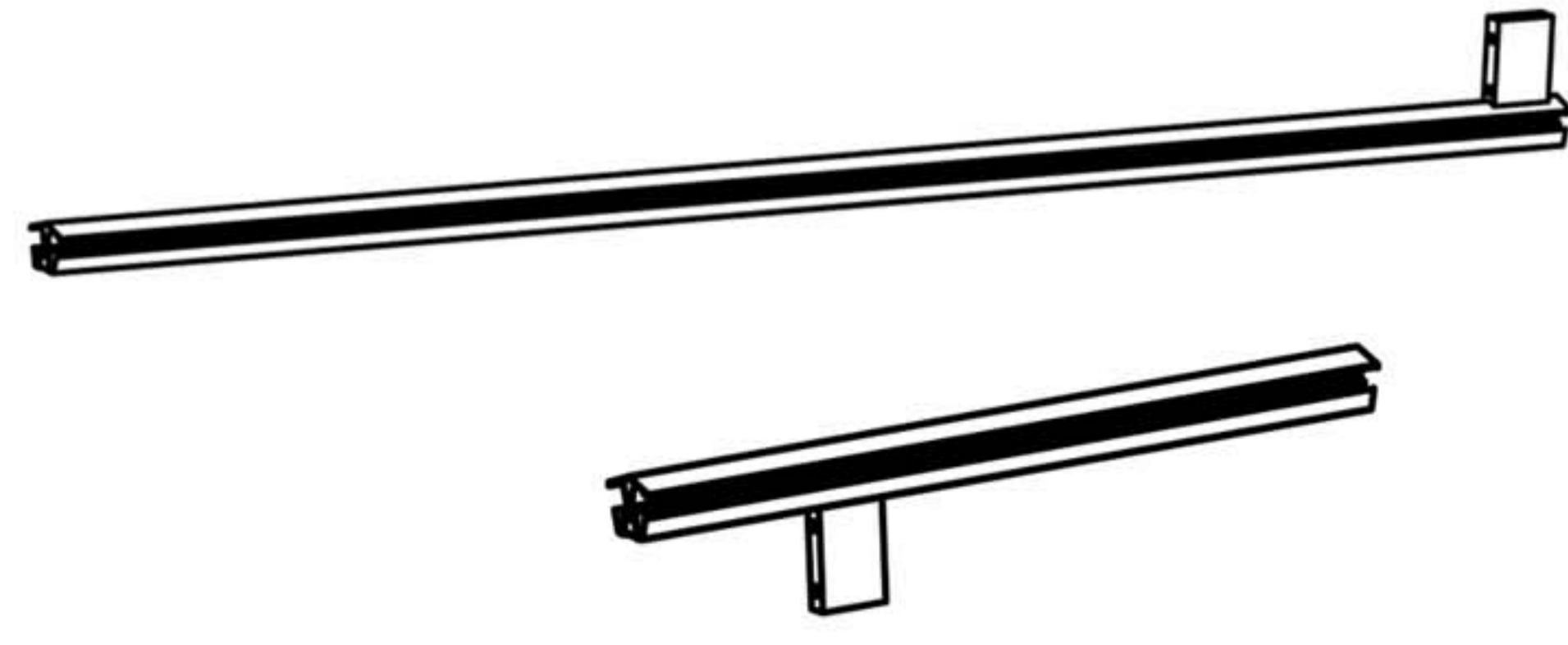
Please take care of the screws and contact the after-sales service if there is any problem with the installation or parts.



E-mail: cs.helper01@gmail.com

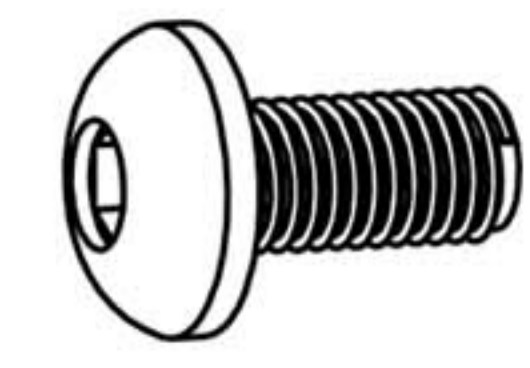
STEP 6

Parts required

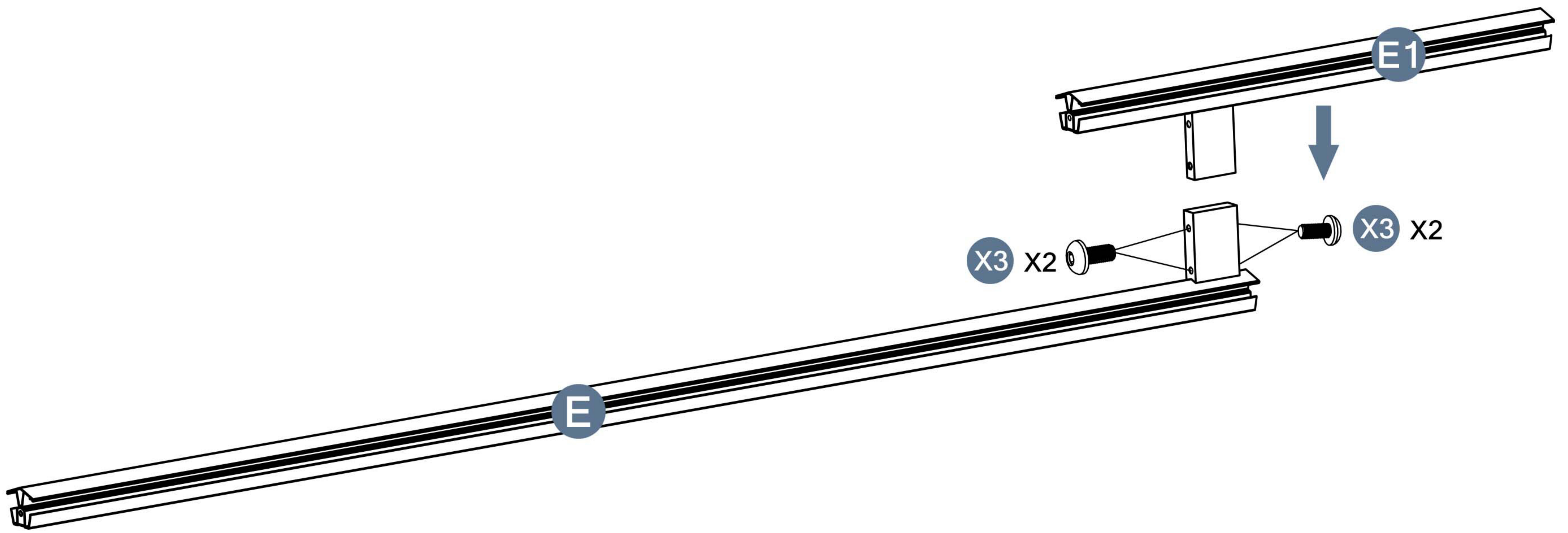


E 8pcs

E1 8pcs



X3 32pcs



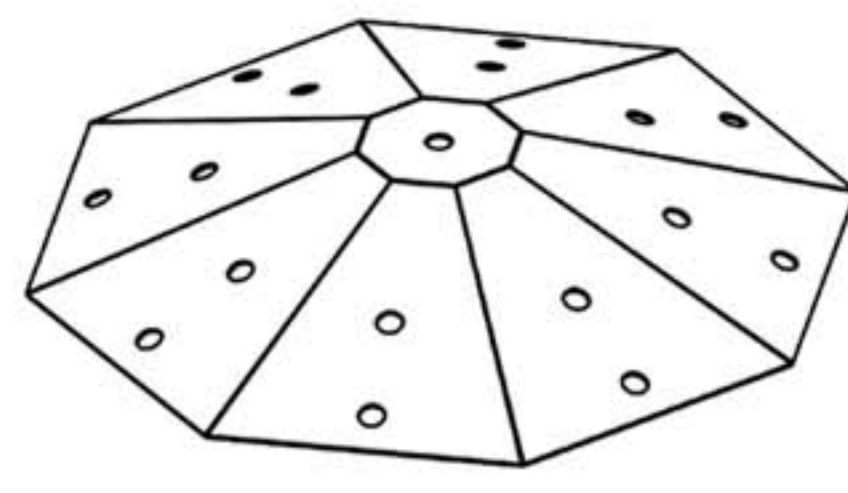
X8

Please take care of the screws and contact the after-sales service if there is any problem with the installation or parts.

➔ ✉ E-mail: cs.helper01@gmail.com

STEP 7

Parts required

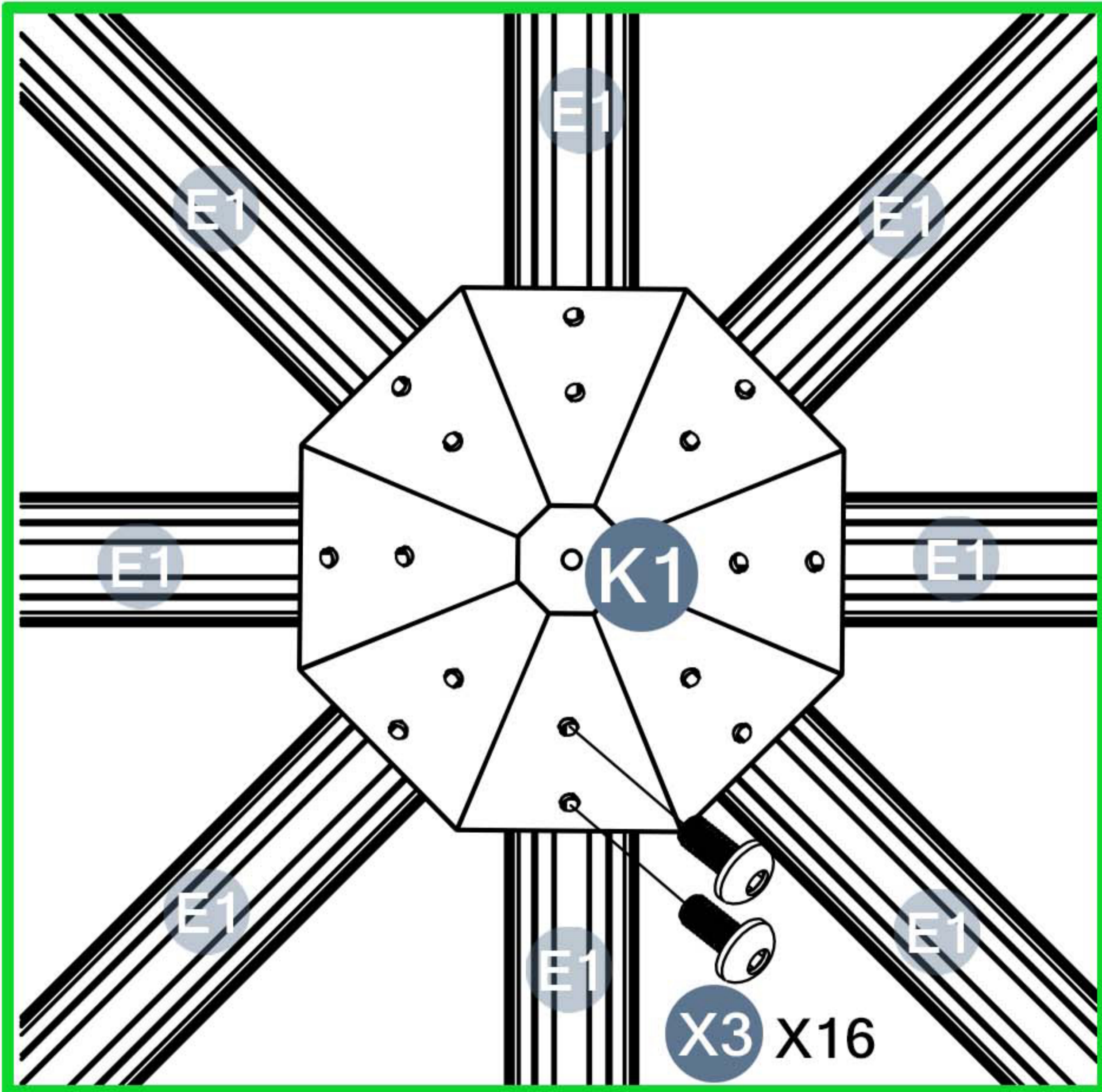


K1 1pcs

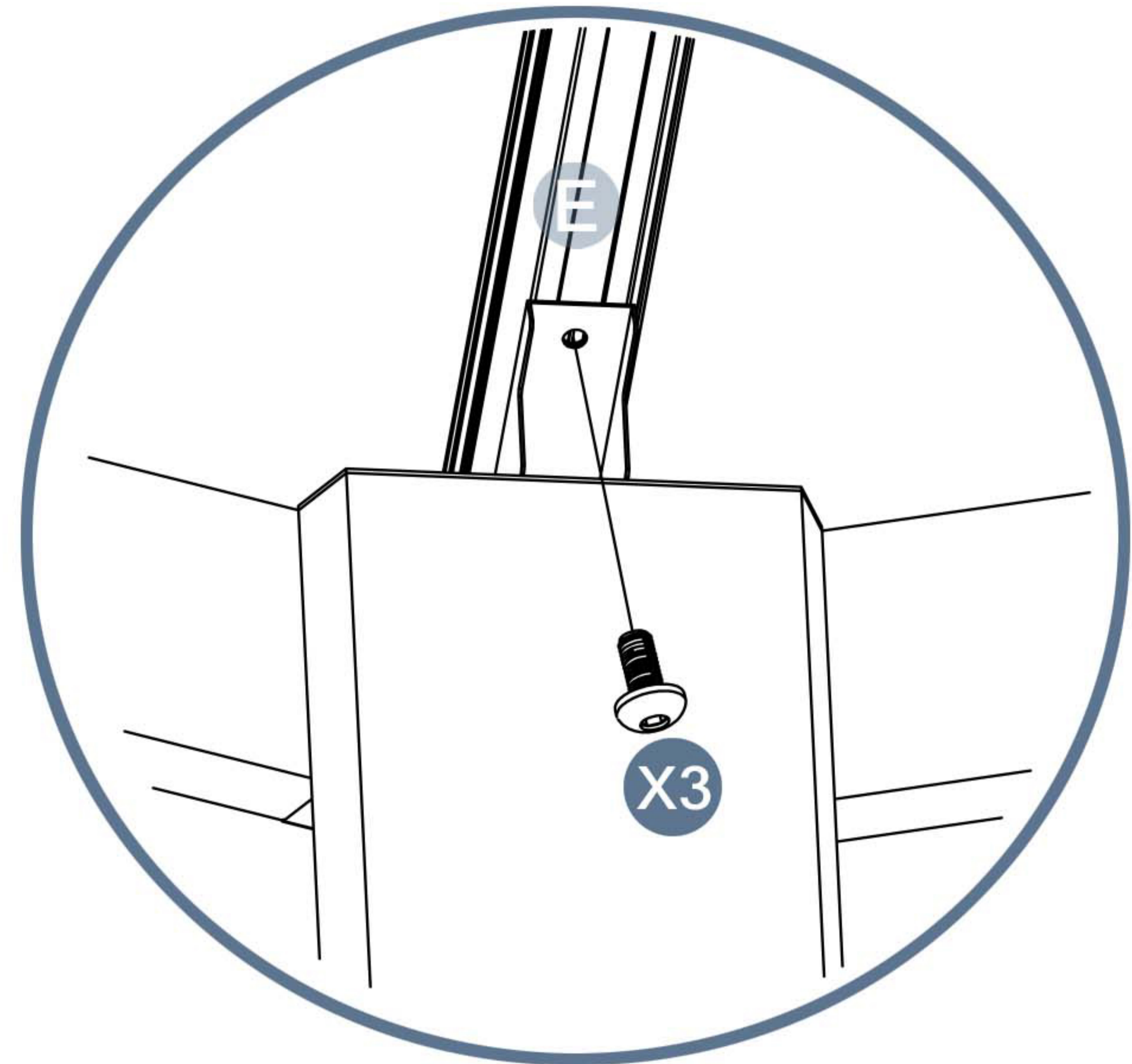


X3 24pcs

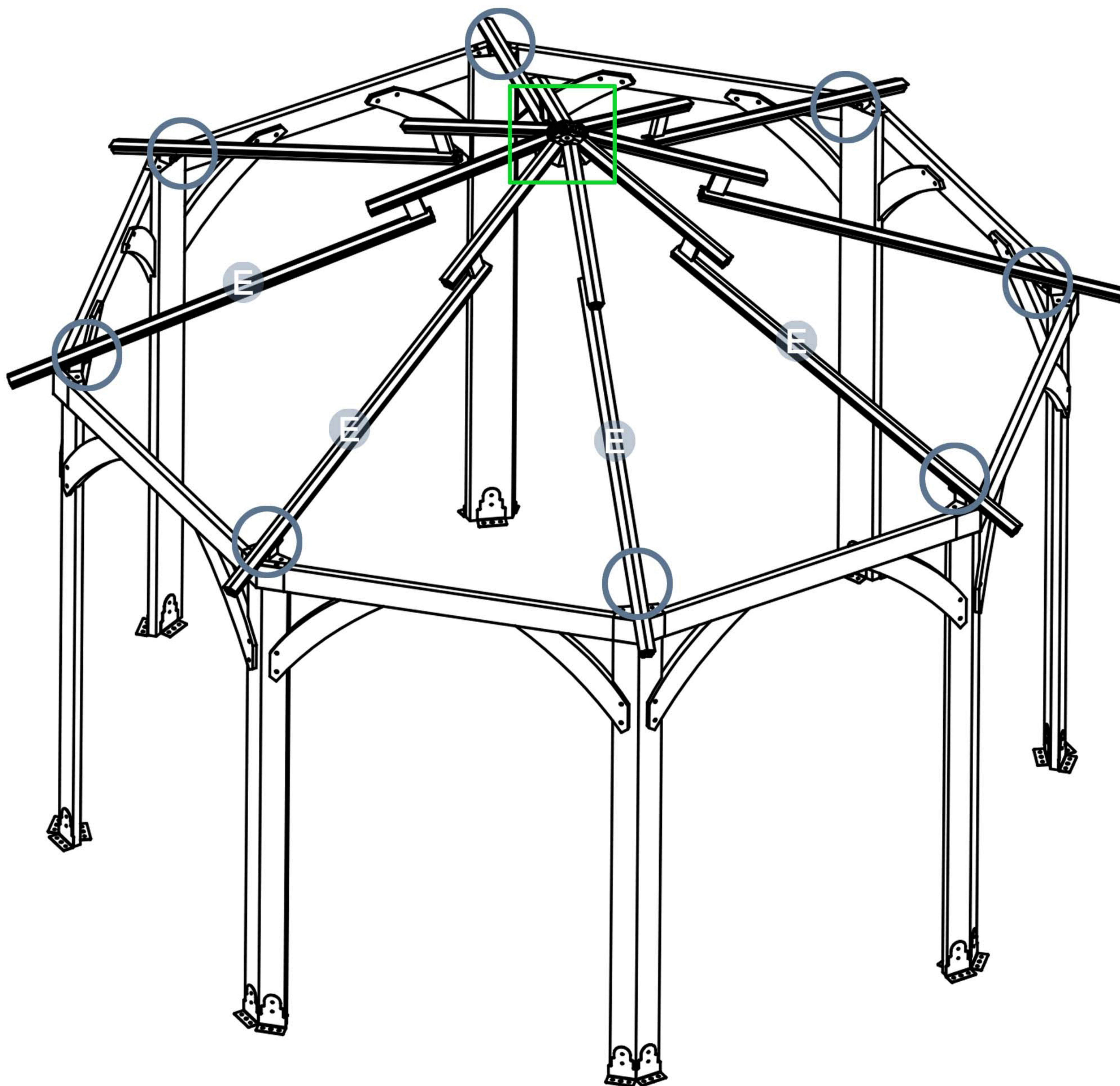
1 → 2



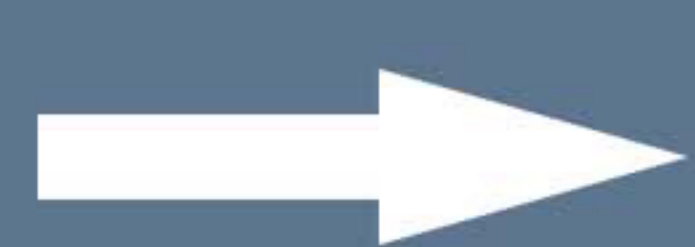
1



2



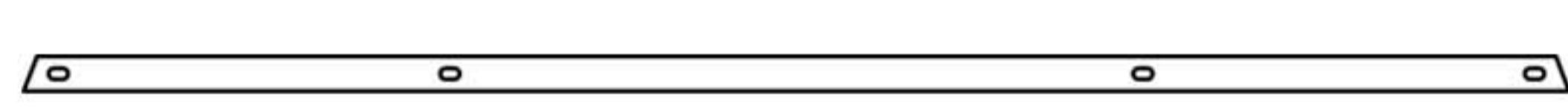
Please take care of the screws and contact the after-sales service if there is any problem with the installation or parts.



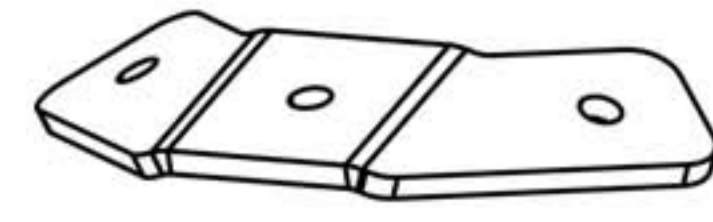
E-mail: cs.helper01@gmail.com

STEP 8

Parts required



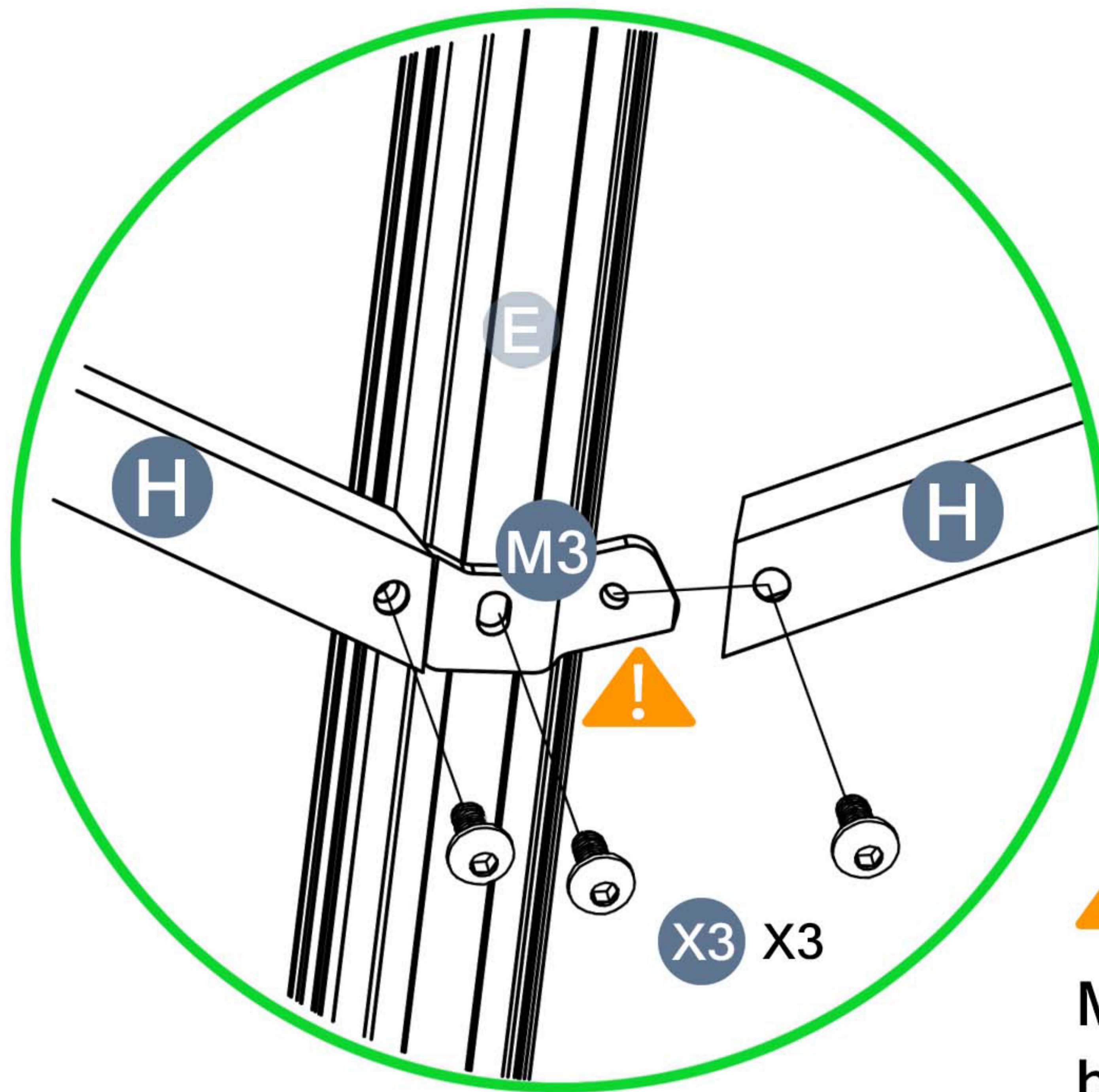
H 8pcs



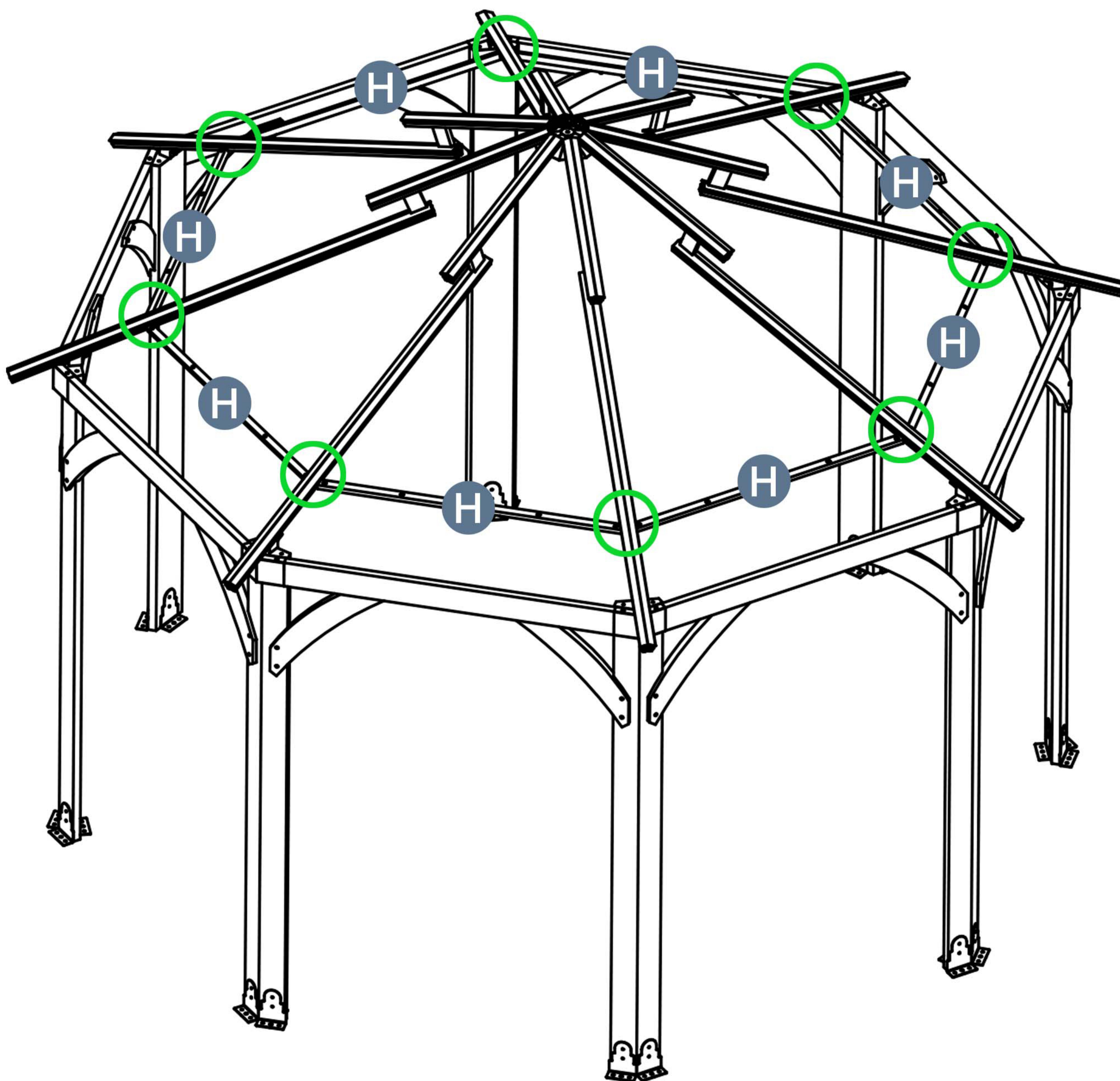
M3 8pcs



X3 24pcs



M3 needs to be inserted into both tubes, aligned with the holes.



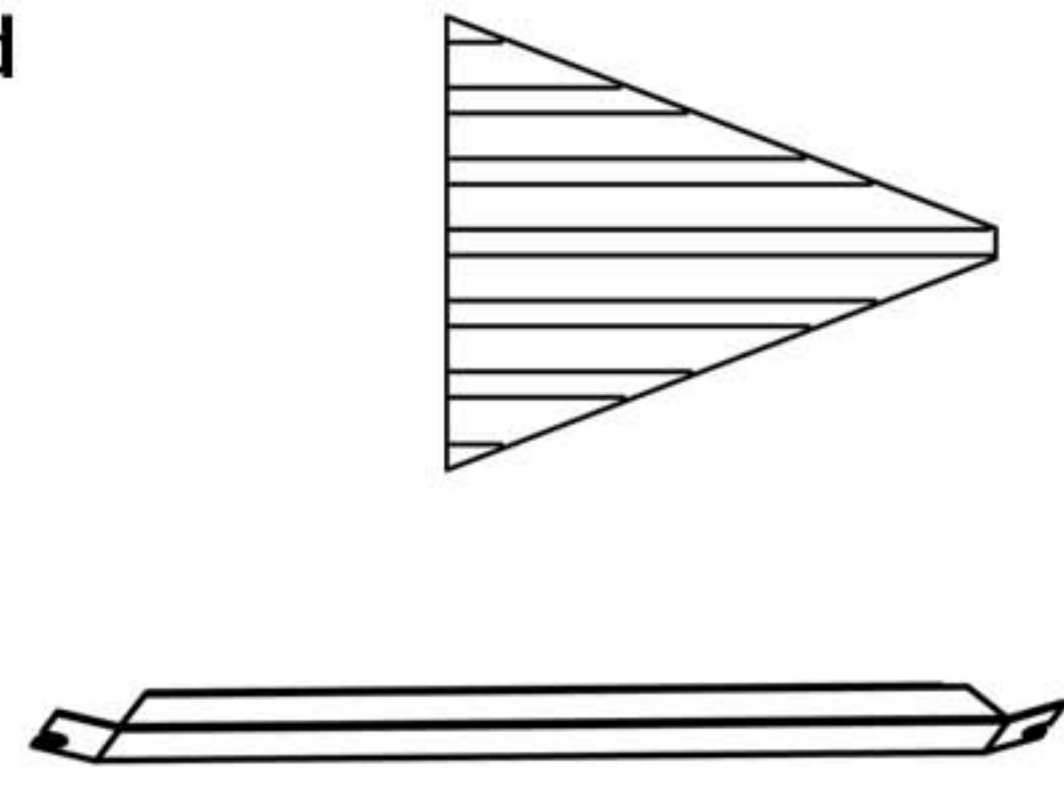
Please take care of the screws and contact the after-sales service if there is any problem with the installation or parts.



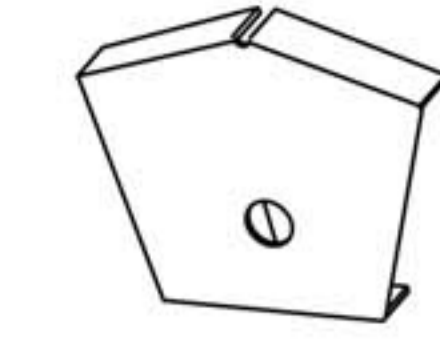
E-mail: cs.helper01@gmail.com

STEP 9

Parts required

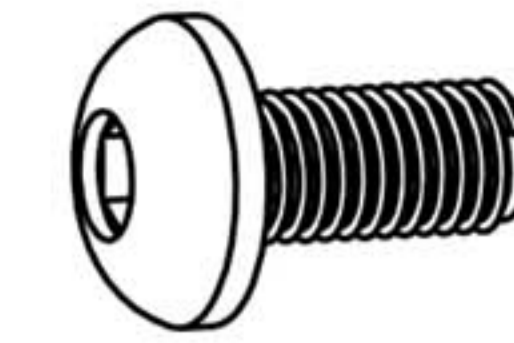


N4 8pcs

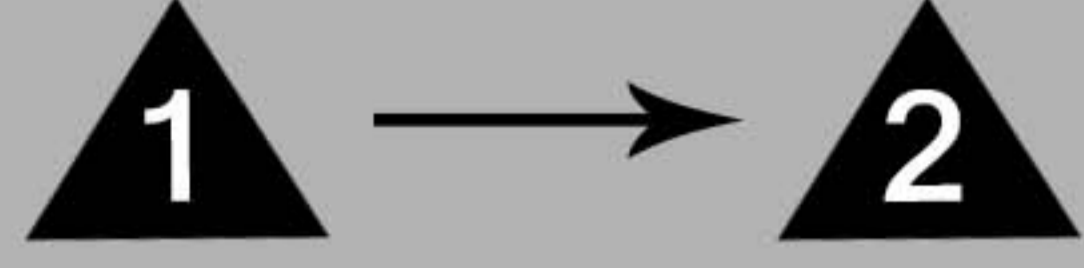


M2 8pcs

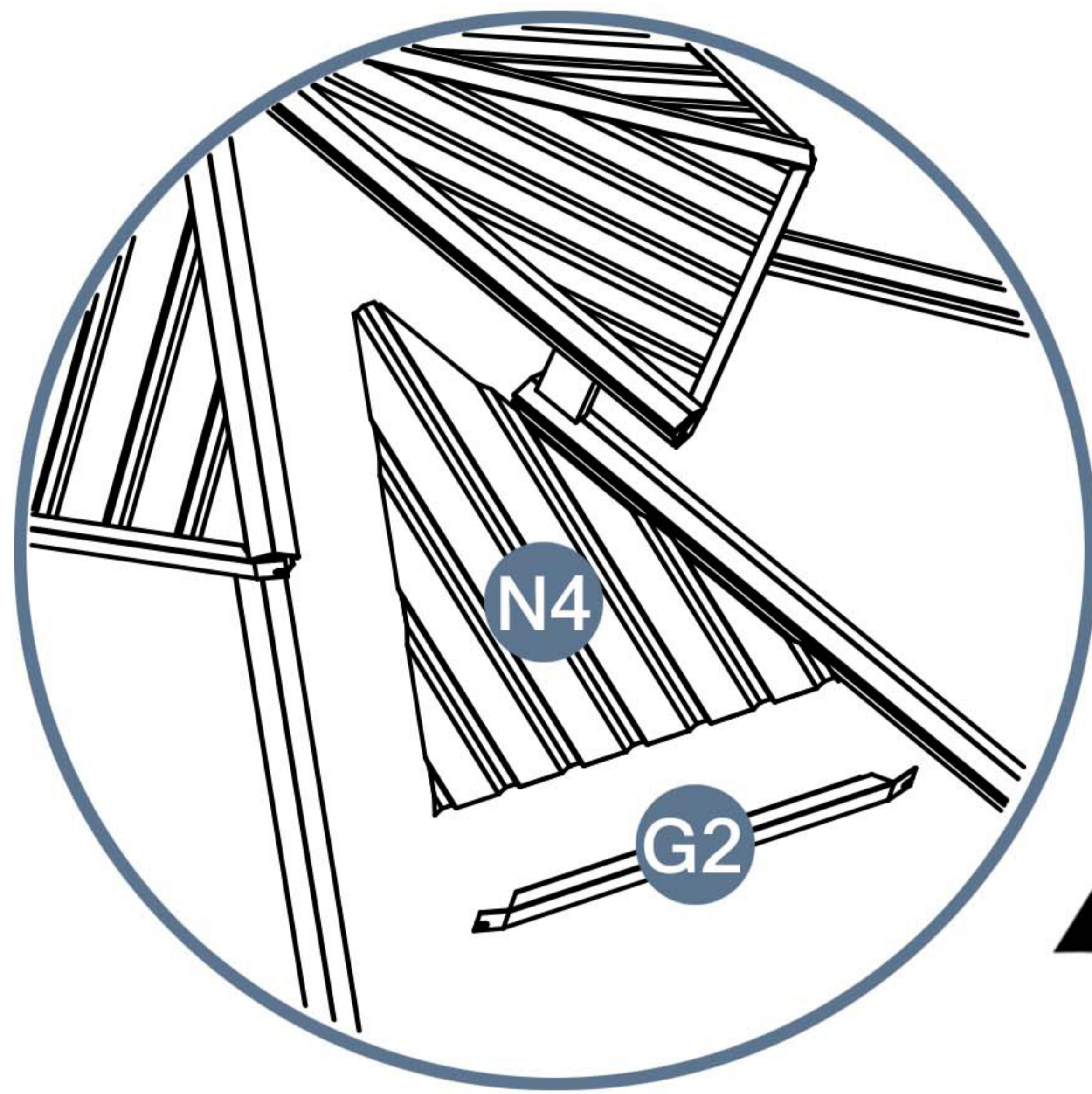
G2 8pcs



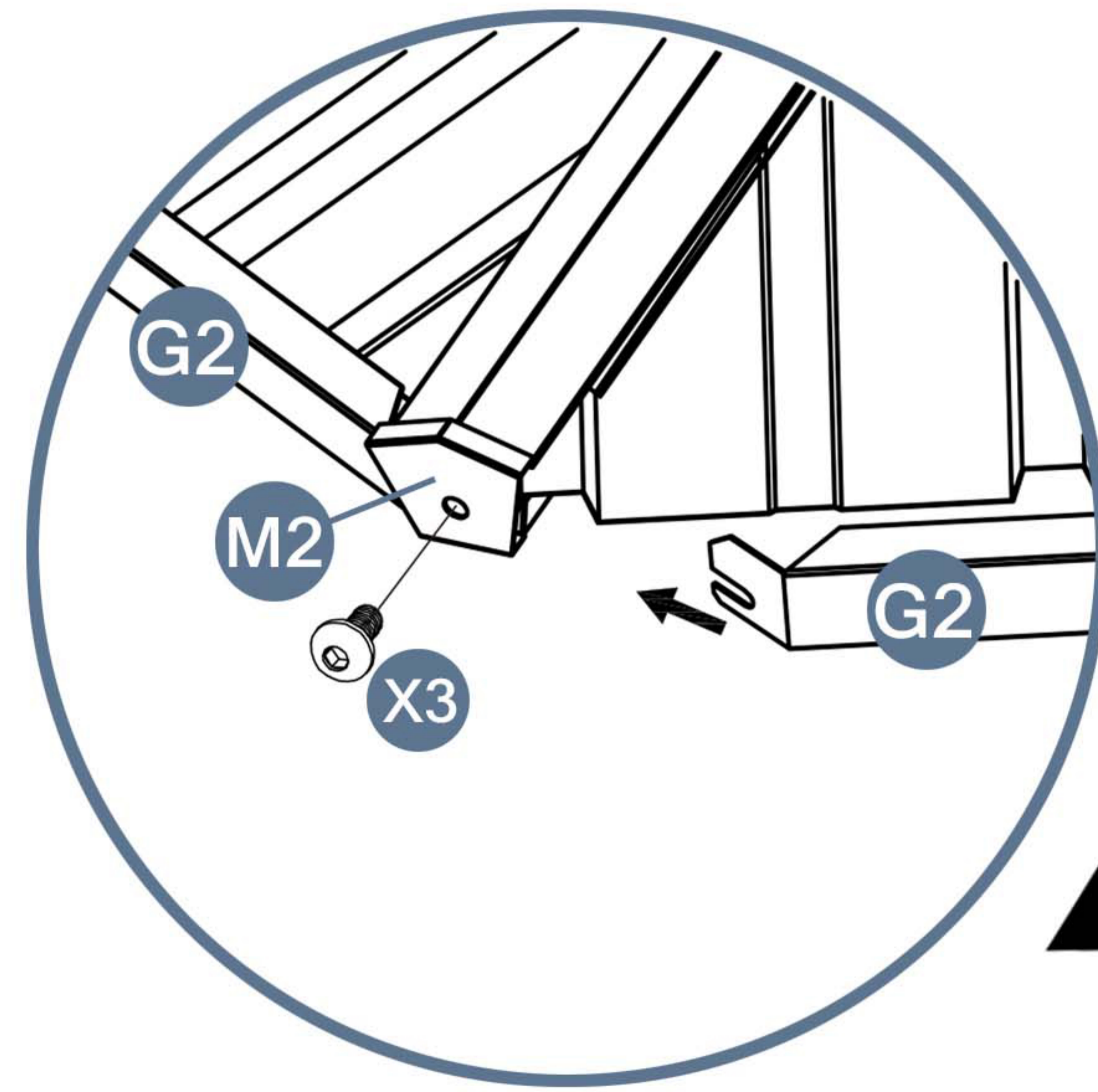
X3 8pcs



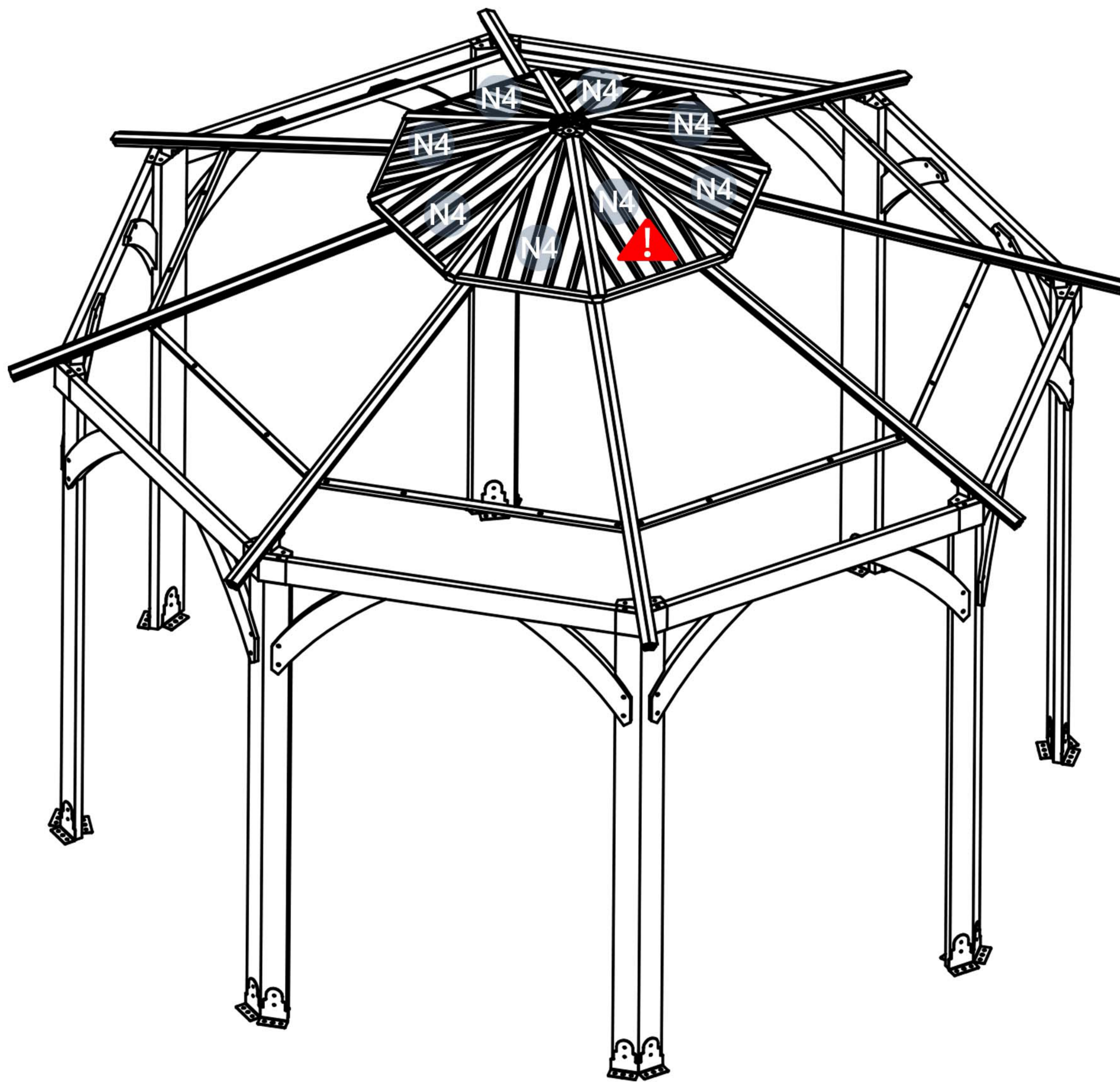
In order to facilitate the installation, it is recommended to leave one side and not install it for the time being. Wait for the installation in step 10 to complete before installing.



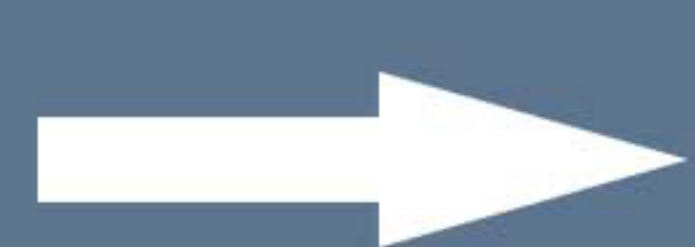
1



2



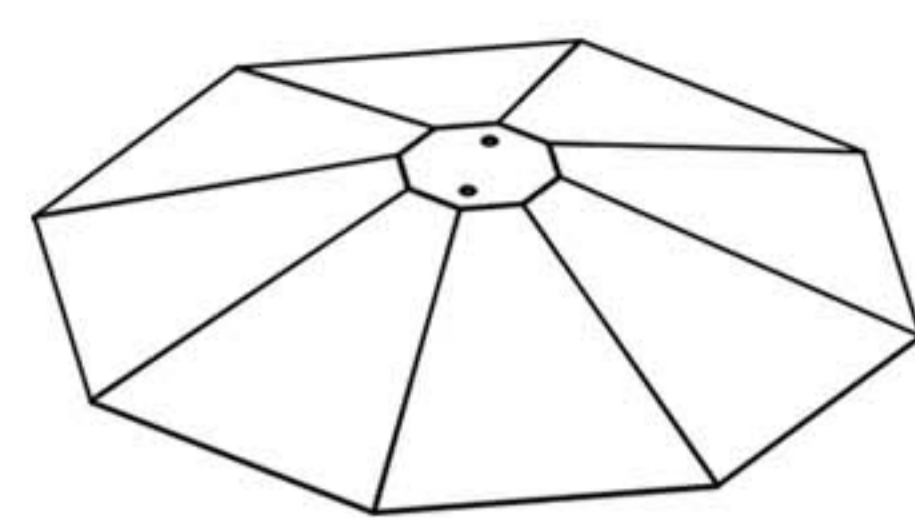
Please take care of the screws and contact the after-sales service if there is any problem with the installation or parts.



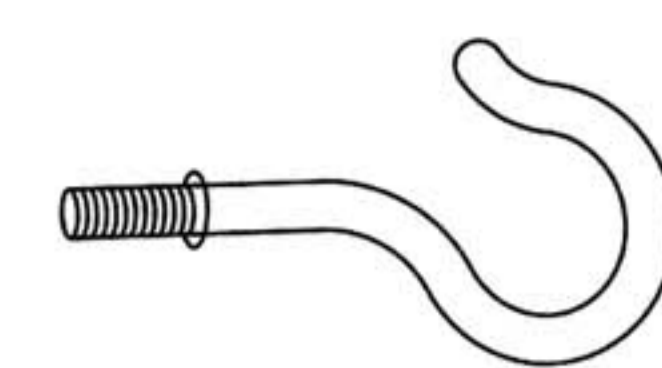
E-mail: cs.helper01@gmail.com

STEP 10

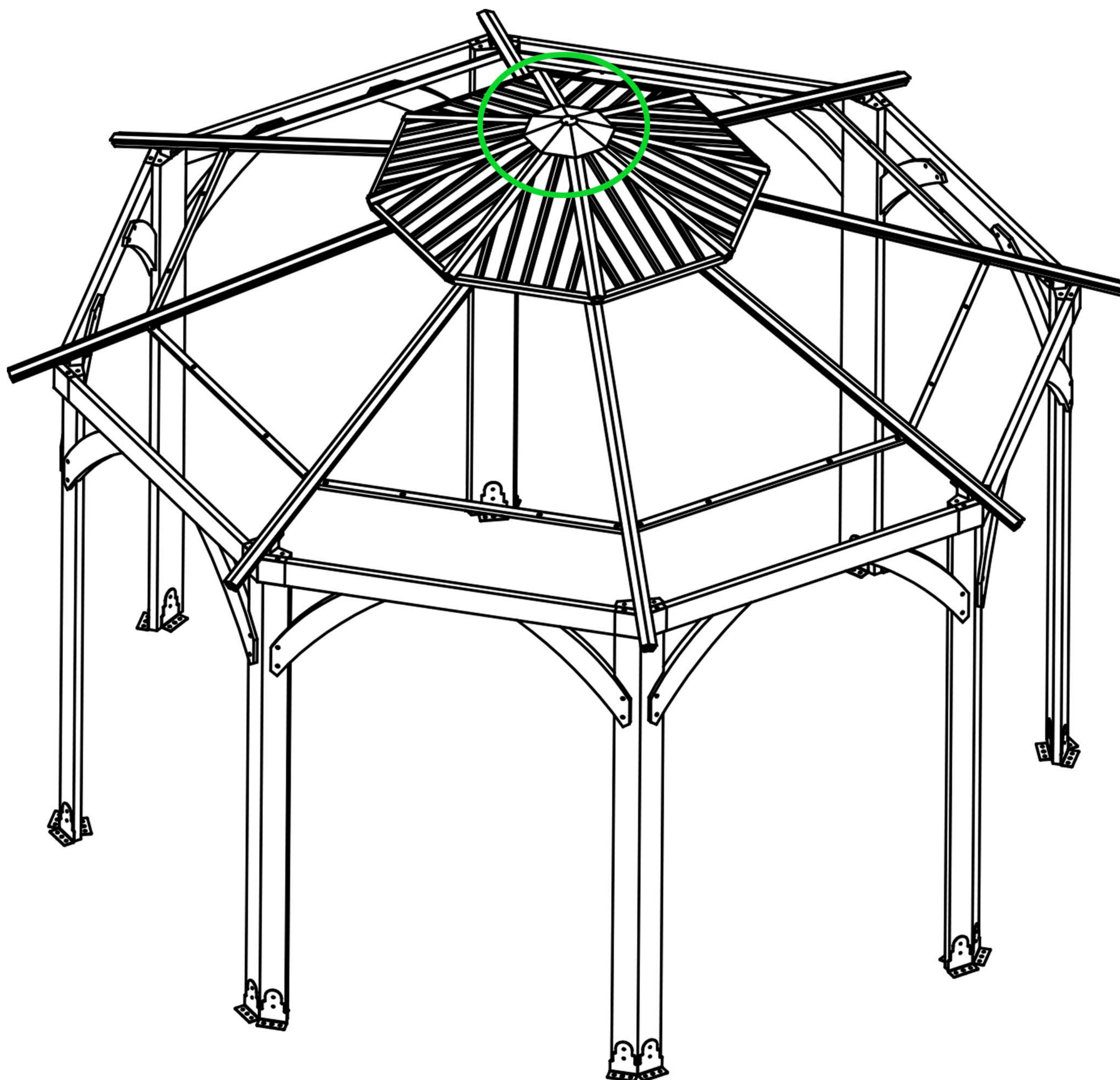
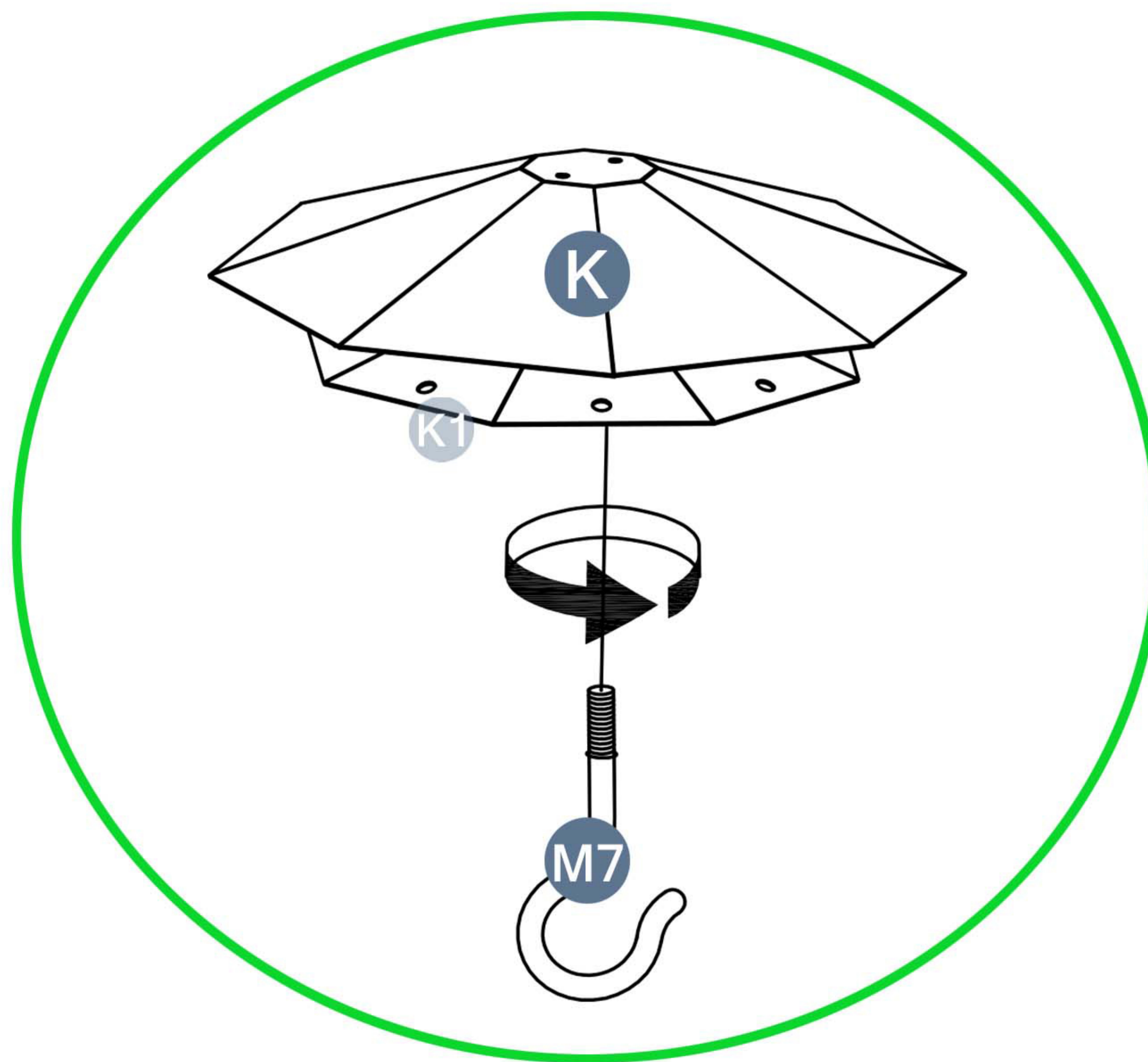
Parts required



K 1pcs



M7 1pcs



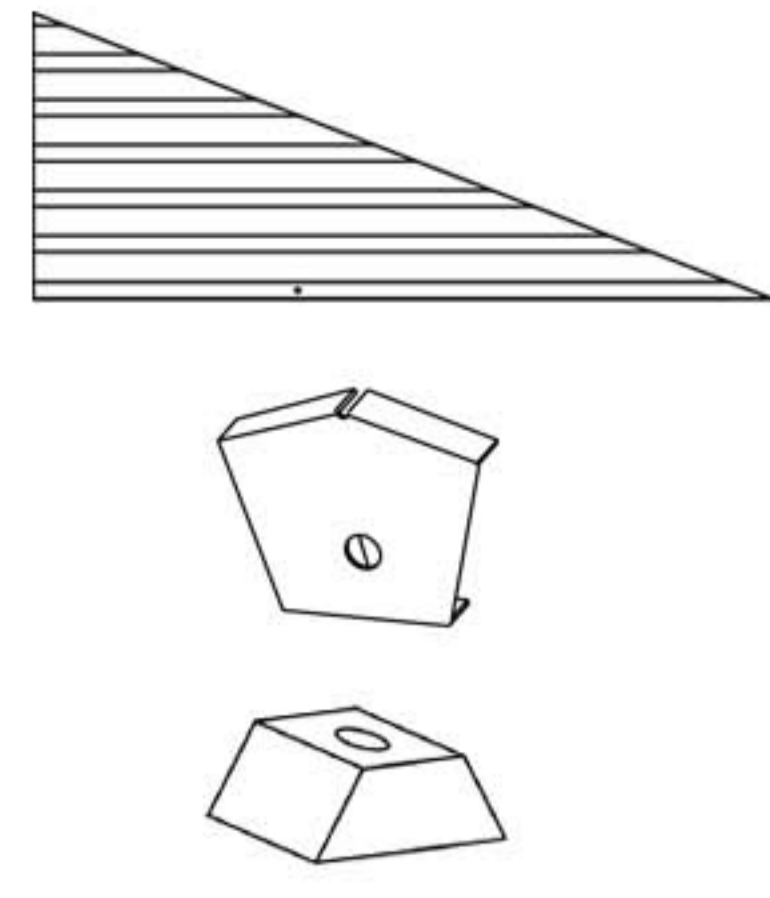
Please take care of the screws and contact the after-sales service if there is any problem with the installation or parts.



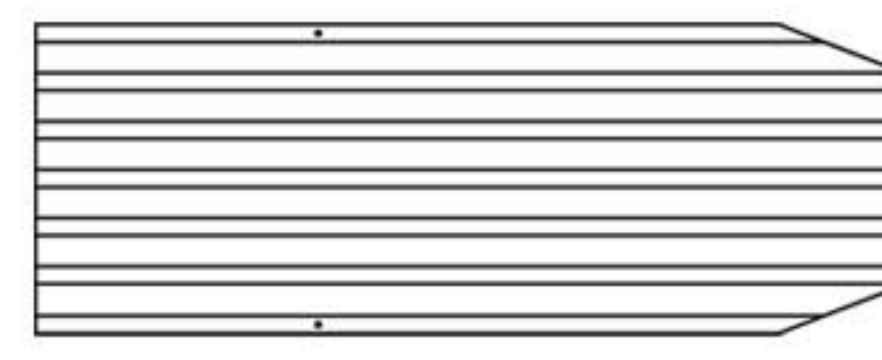
E-mail: cs.helper01@gmail.com

STEP 11

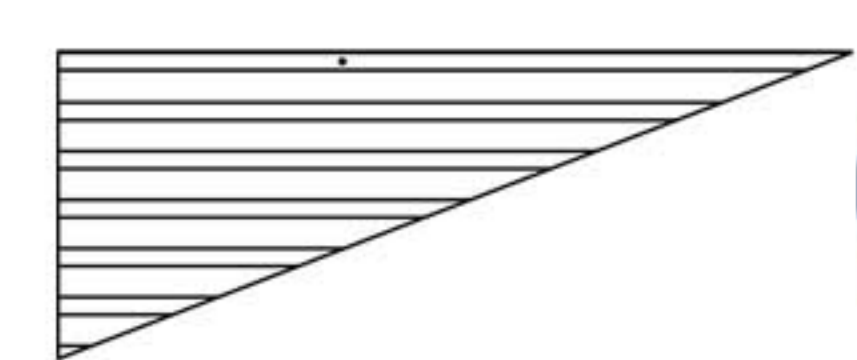
Parts required



N1 8pcs



N2 8pcs



N3 8pcs

M2 8pcs

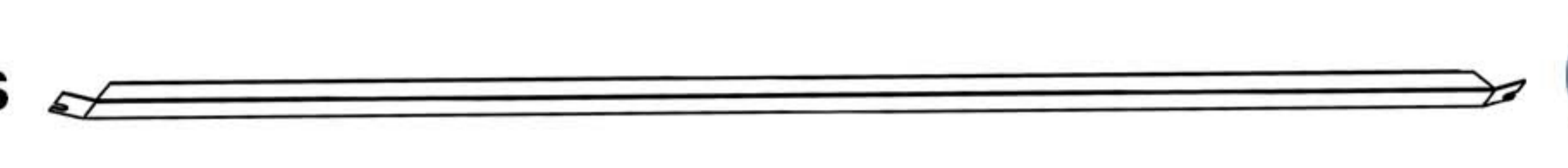


X5 16pcs

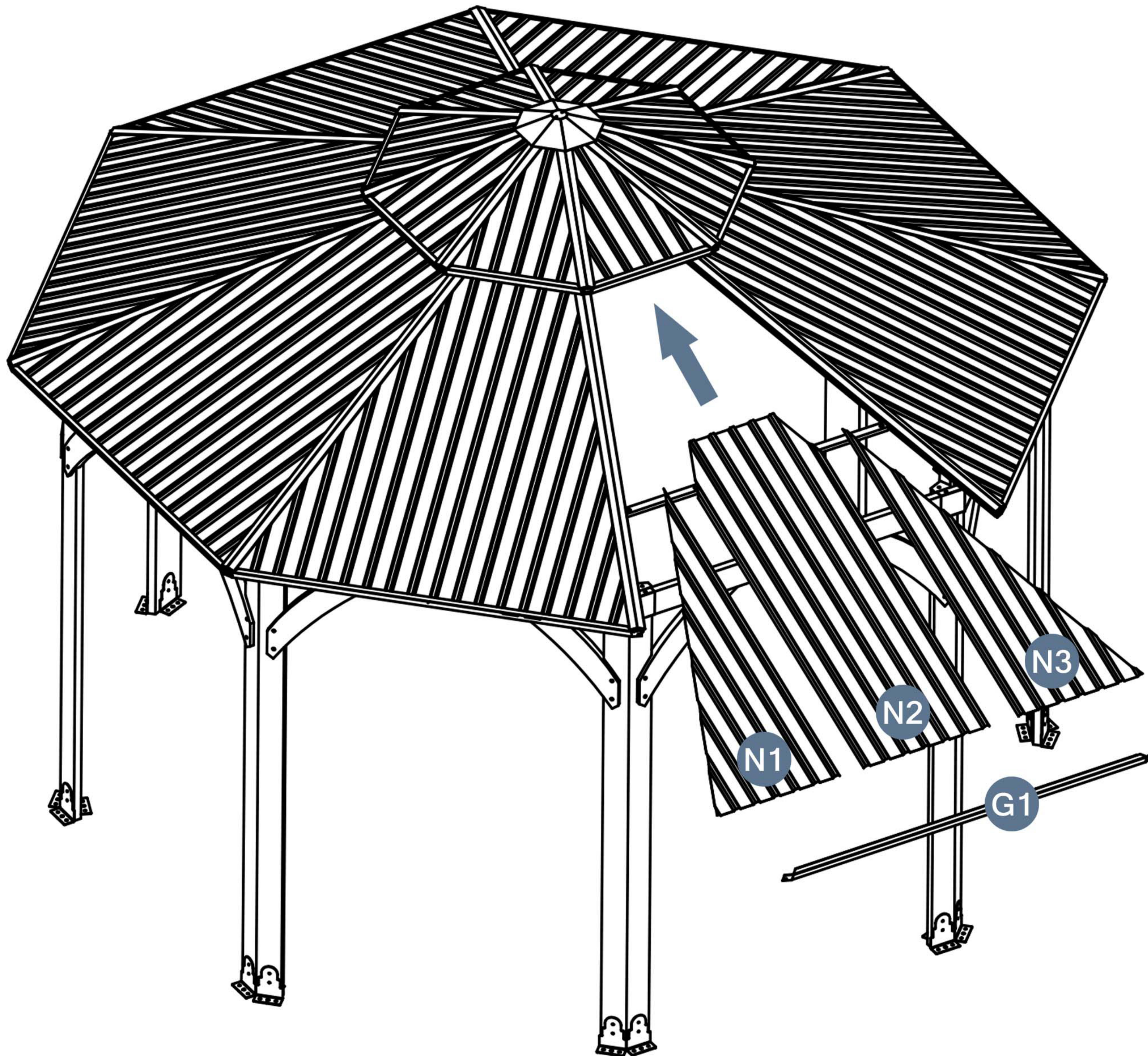
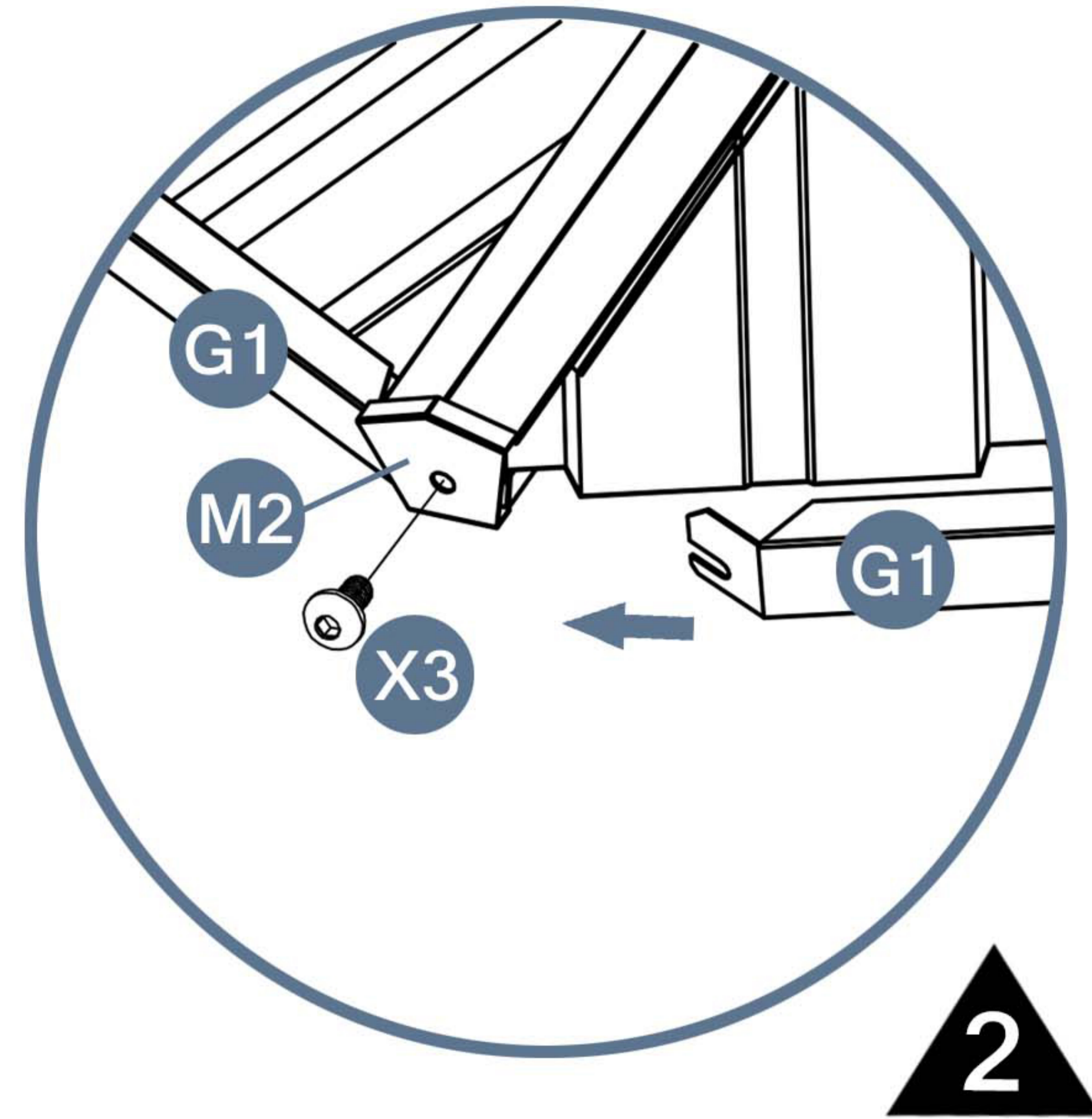
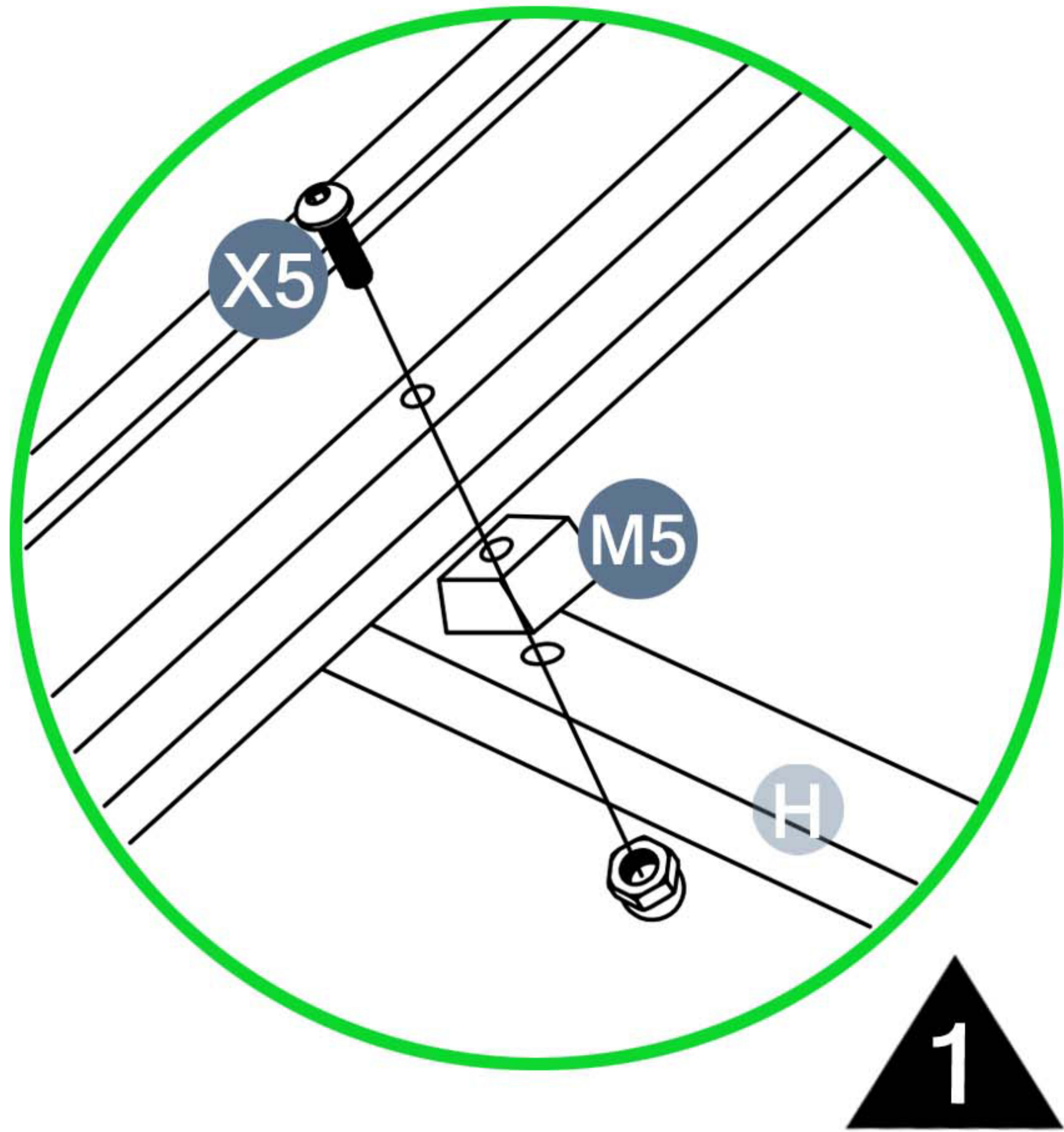
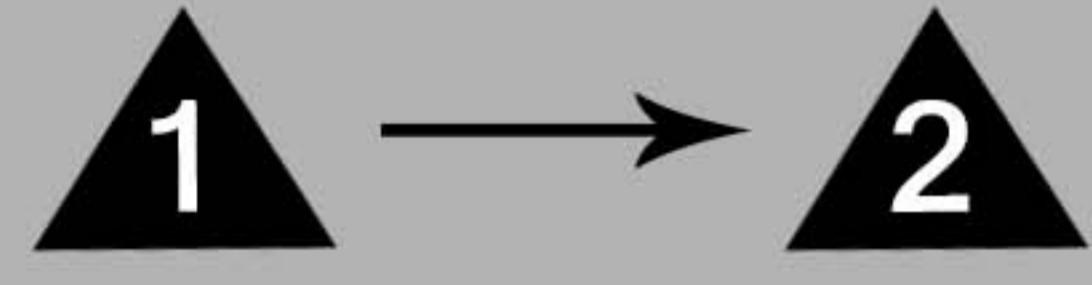


X3 8pcs

M5 16pcs



G1 8pcs

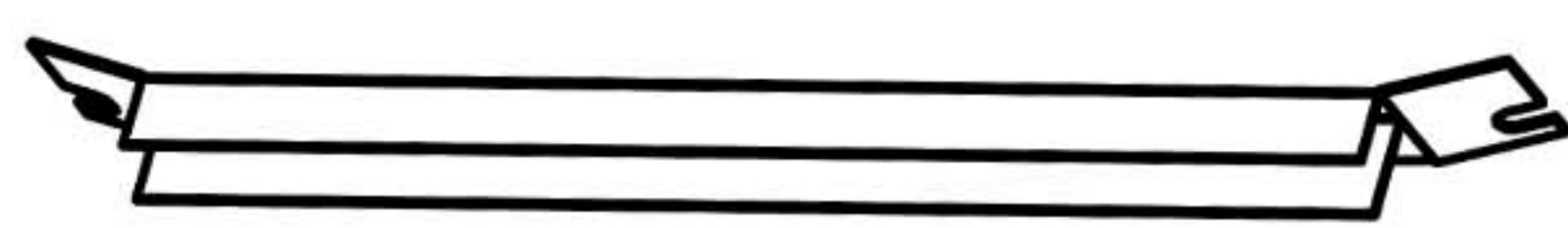


Please take care of the screws and contact the after-sales service if there is any problem with the installation or parts.

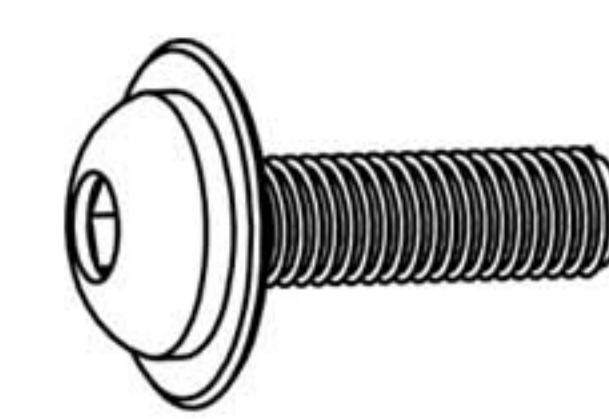
➔ ✉ E-mail: cs.helper01@gmail.com

STEP 12

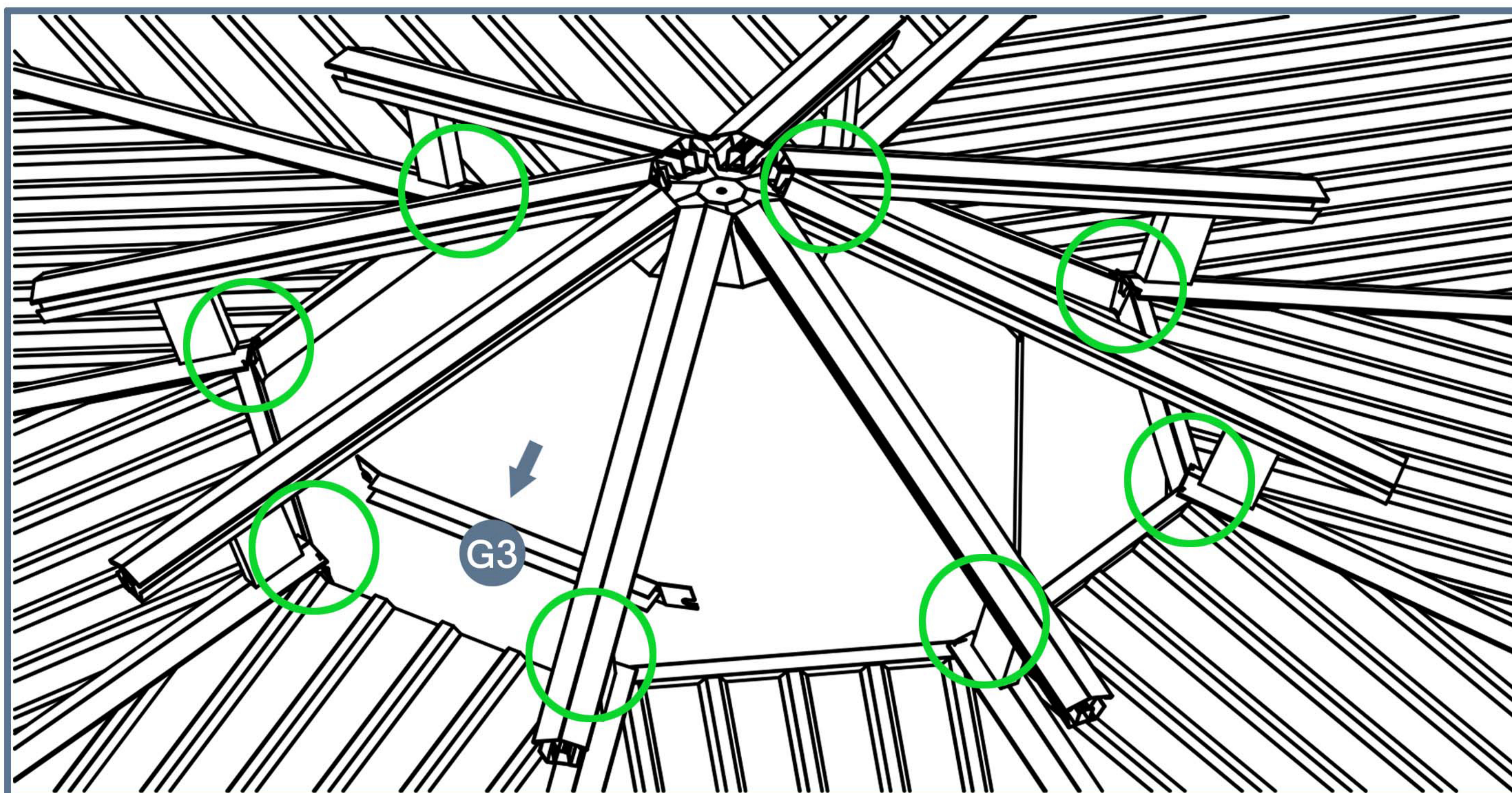
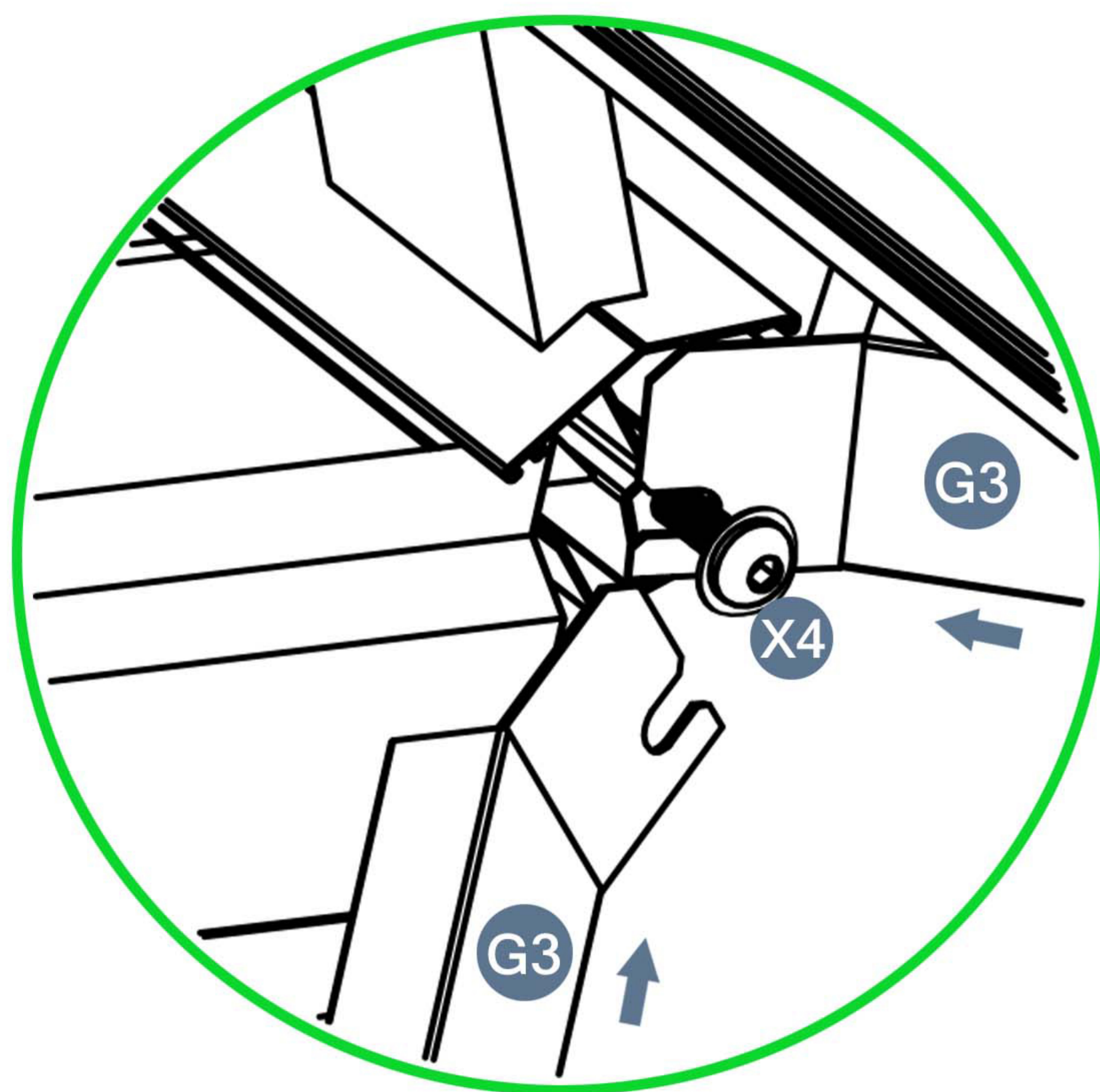
Parts required



G3 8pcs



X4 8pcs



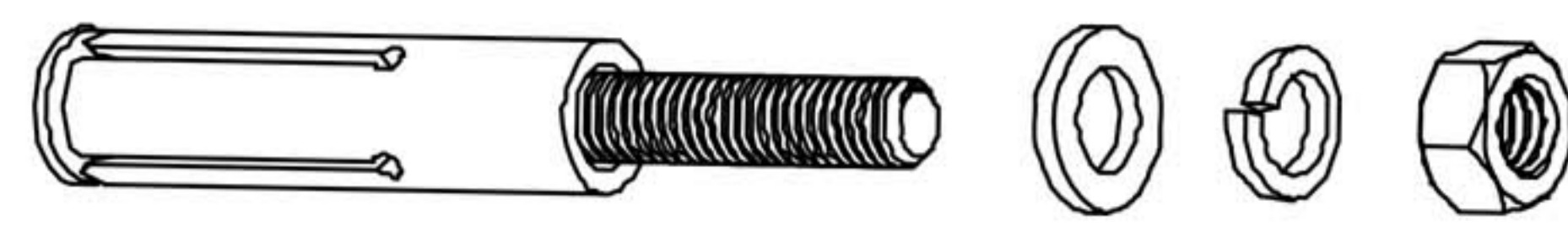
Please take care of the screws and contact the after-sales service if there is any problem with the installation or parts.



E-mail: cs.helper01@gmail.com

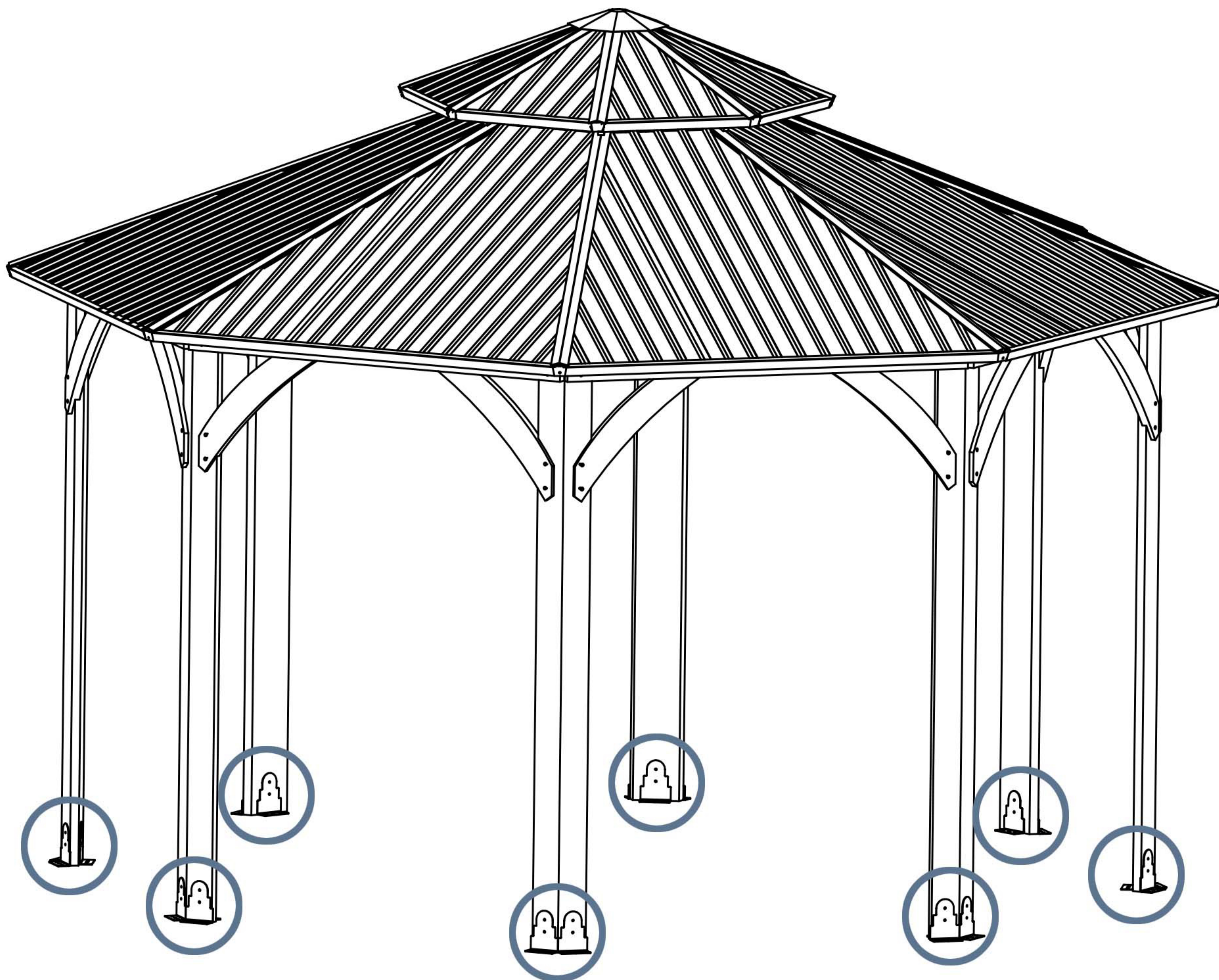
STEP 13

Parts required



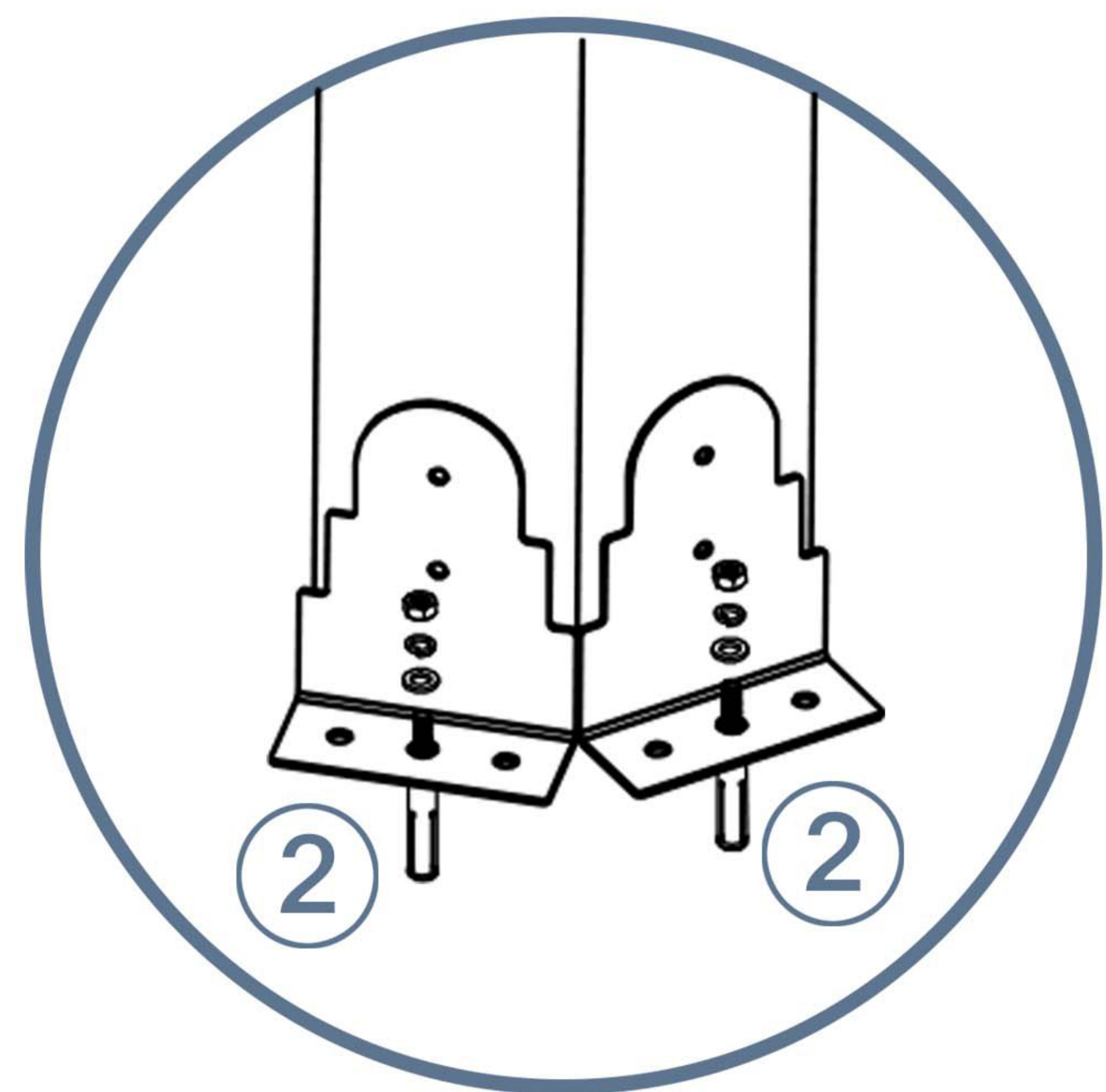
② 16pcs

To improve stability of gazebo, expansion screws very necessary. Expansion screws use for cement surfaces and have included in the package.

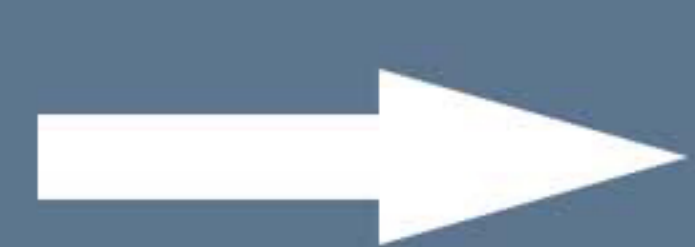


!!! For safety's sake, please check and make sure that all screws are tightened after all installation is complete.

Installation Completed



Please take care of the screws and contact the after-sales service if there is any problem with the installation or parts.



E-mail: cs.helper01@gmail.com