


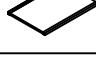






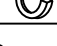


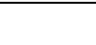
Thank you for purchasing products.  
Contact customer service for comments or concerns.

## Assembly Instructions, Gold Metal and Wood Side Table with Top AC / USB Charging

### Parts List

Item	Parts	Description	Quantity
A		Top Assembly	1
B		Left Leg Frame	1
C		Right Leg Frame	1
D		Shelf	1
E		Metal Rail	1

### Hardware List

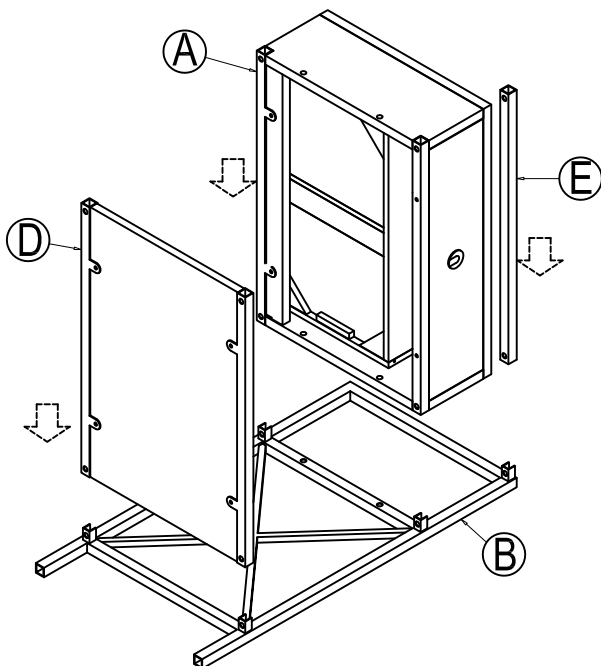
Item	Hardware	Description	Quantity
1		Long Allen Bolts	4
2		Short Allen Bolts	10
3		Flat Washers	14
4		Lock Washers	14
5		Allen Wrench	1
6		Drawer Pull	1
7		Machine Screw	1

## Assembly Steps

### Step 1

**1.1** Place the top assembly (A) to the left leg frame (B) with its wire hole facing along side of leg frame with 2 inserts on top part as shown on the following sketch.

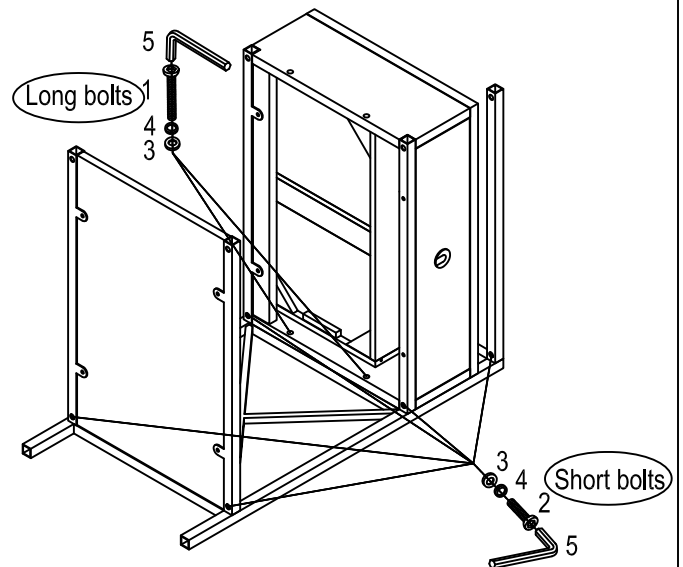
**1.2** Insert the shelf (D) and metal rail (E) onto the left leg frame.



### Step 2

**2.1** Fasten the parts in **Step 1** with 2 long bolts and 5 short bolts. Do not tighten.

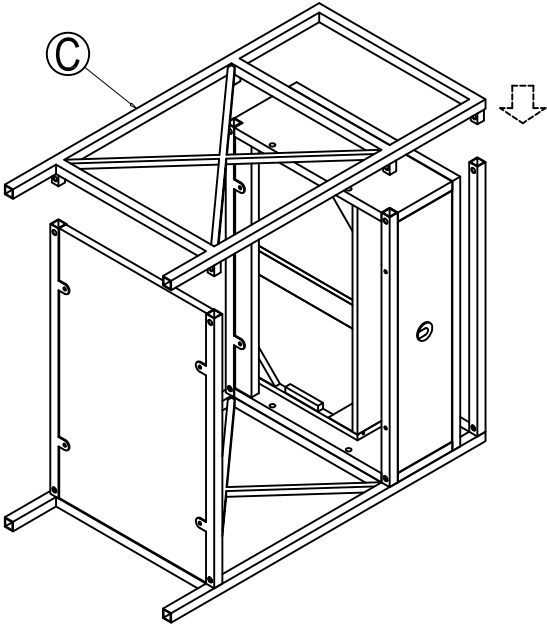
**2.3** Tighten two long bolts first, and push parts down to the metal leg frame while tightening the short bolts.



# Assembly Steps

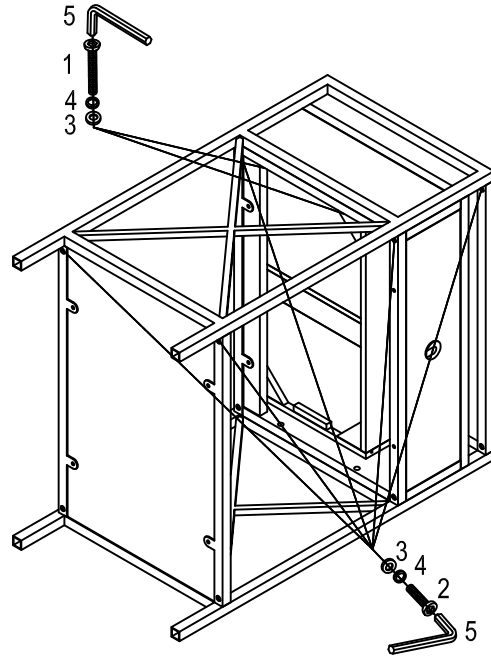
## Step 3

3.1 Insert the right leg frame (C).



## Step 4

4.1 Do the same thing as per **Step 2** to tighten the bolts.



## Step 5

5.1 Place the table upright.

5.2 Adjust the levelers on the bottom of legs if needed.

5.3 Open the drawer to screw the drawer pull.

