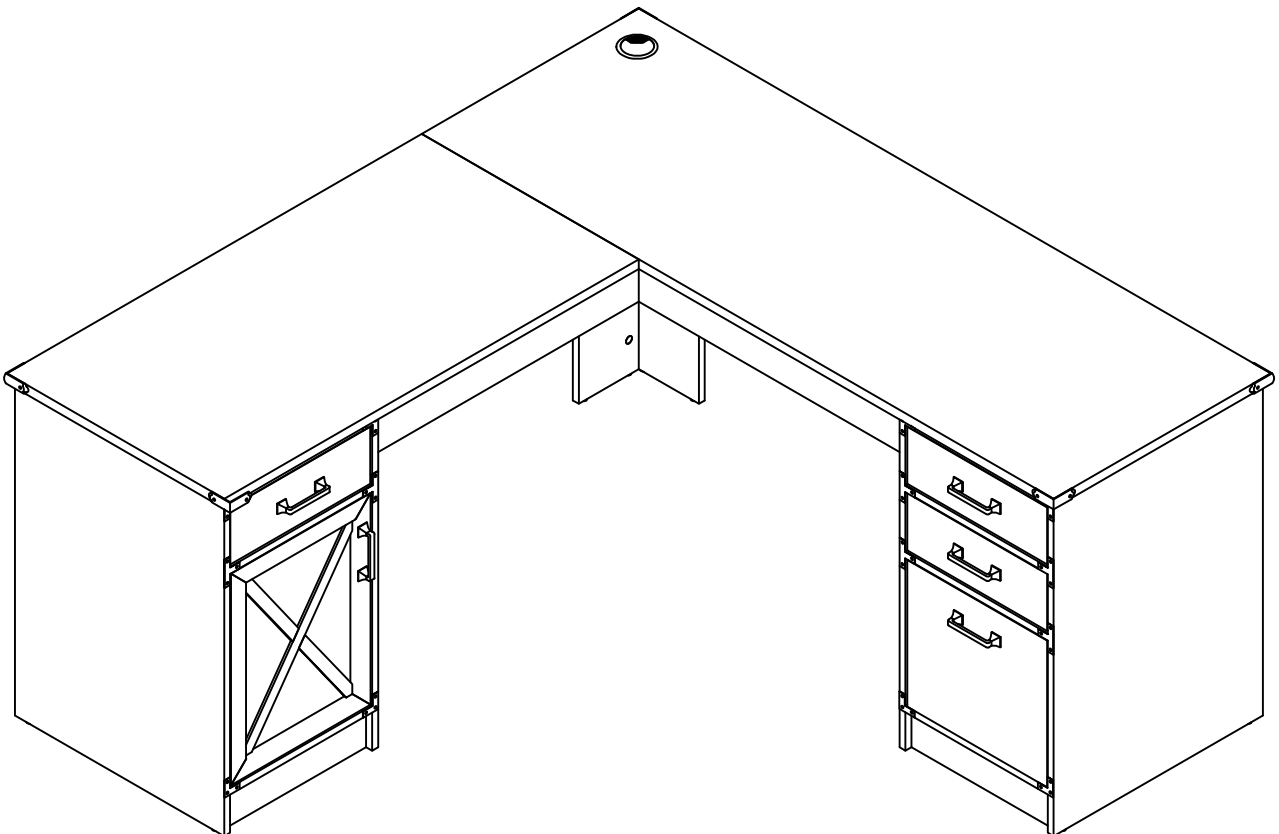


ASSEMBLY INSTRUCTIONS

Important Safety Instructions:

- Please read all instructions before beginning assembly
- Please make sure receive all the parcels to start the assembly
- For your safety and convenience, assembly by two people is recommended
- Use the parts and hardware lists to identify and separate each of the components included
- Save all packing materials until assembly is completed to avoid the accidental discarding of smaller parts or hardware
- Use of power tools is not recommended



THANK YOU FOR PURCHASING

PARTS LIST

1 X1

2 X1

3 X1

4 X1

5 X1

6 X1

7 X13

8 X2

9 X1

10 X2

11 X1

12 X3

13 X3

14 X3

15 X3

16 X3

17 X1

18 X1

19 X1

20 X1

21 X1

22 X1

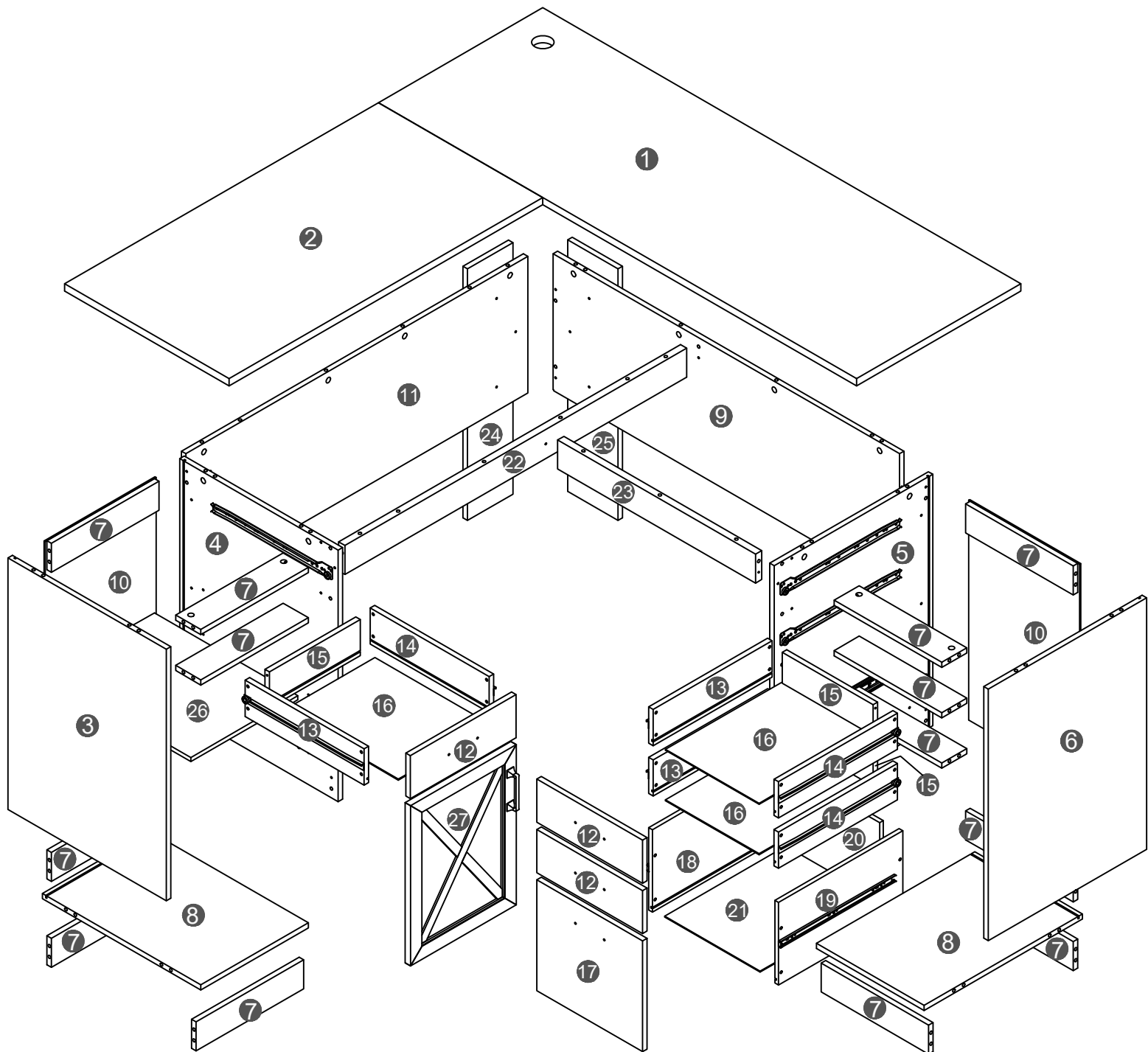
23 X1

24 X1

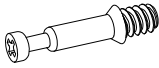


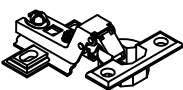


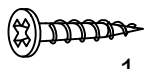

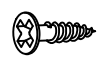

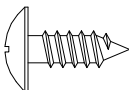
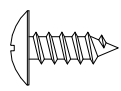
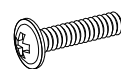
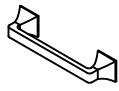
25 X1

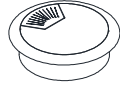
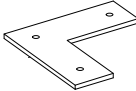
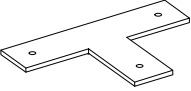
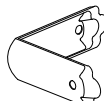

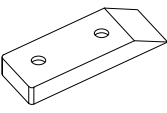
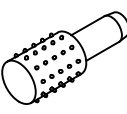

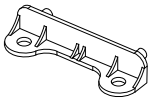
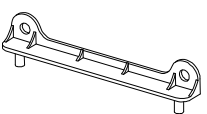
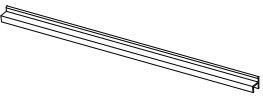
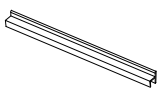
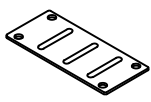
26 X1

27 X1



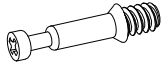
HARDWARE LIST

Name	Part	Qty.	Spare
A		58	1
B		58	1
C		61	1
D		2	
E	 2" Screw	10	
F	 1-1/2" Screw	16	1
G	 1-1/6" Screw	6	
H	 5/8" Screw	2	
I	 9/16" Screw	8	1
J		1	
K	 9/16" Screw	24	1
L	 1/2" Screw	16	1
M	 9/16" Screw	10	1
N		5	

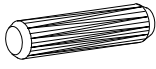
Name	Part	Qty.	Spare
O		1	
P		8	
Q		6	
R		5	
S	 2/3" nail	52	4
T		1	
U		4	
V		11	
W		6	
X		2	
Y		2	
Z		1	
AA		2	
AB			

STEP 1

A x16pcs



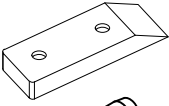
C x4pcs



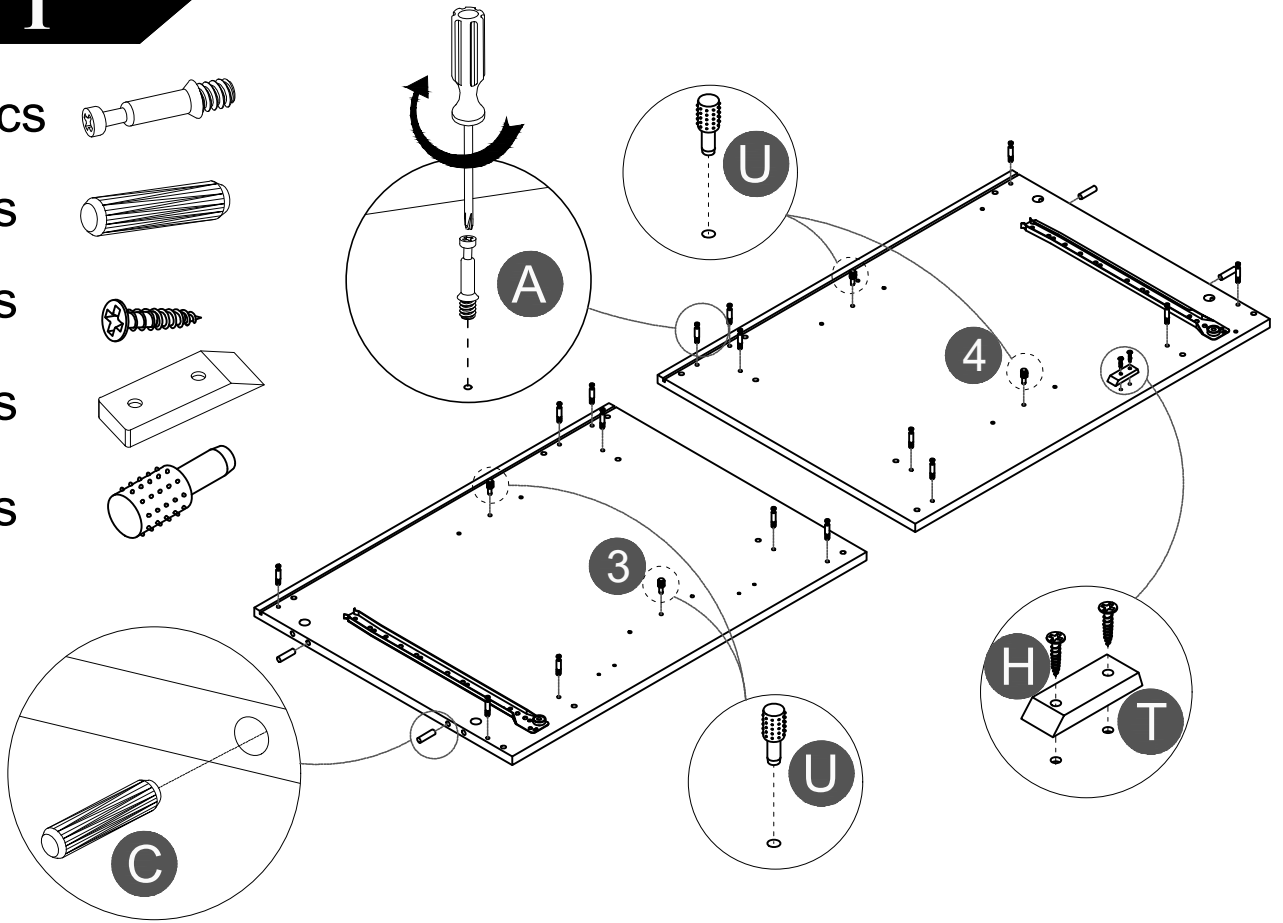
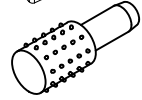
H x2pcs



T x1pcs

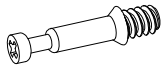


U x4pcs

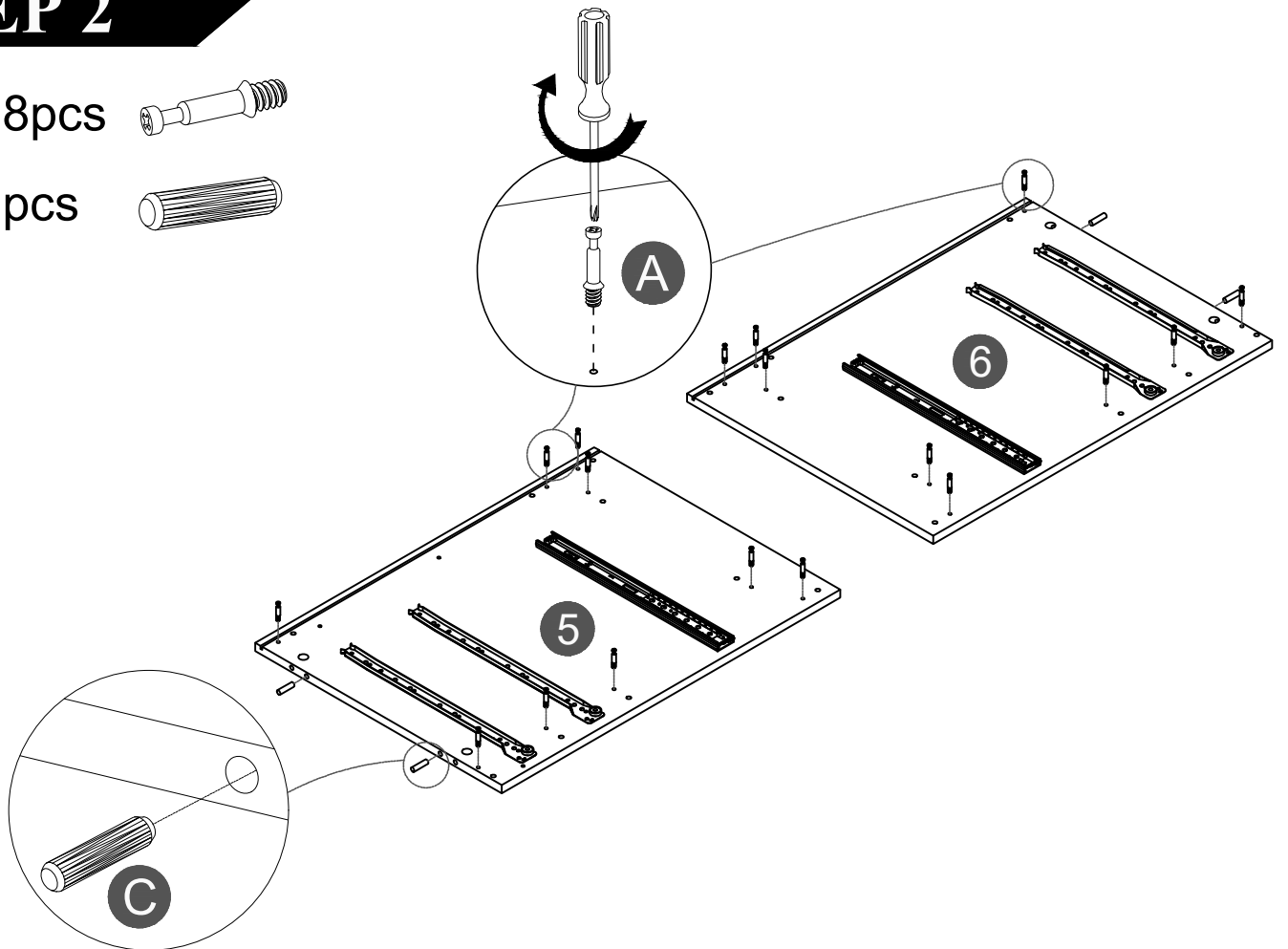
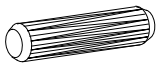


STEP 2

A x18pcs

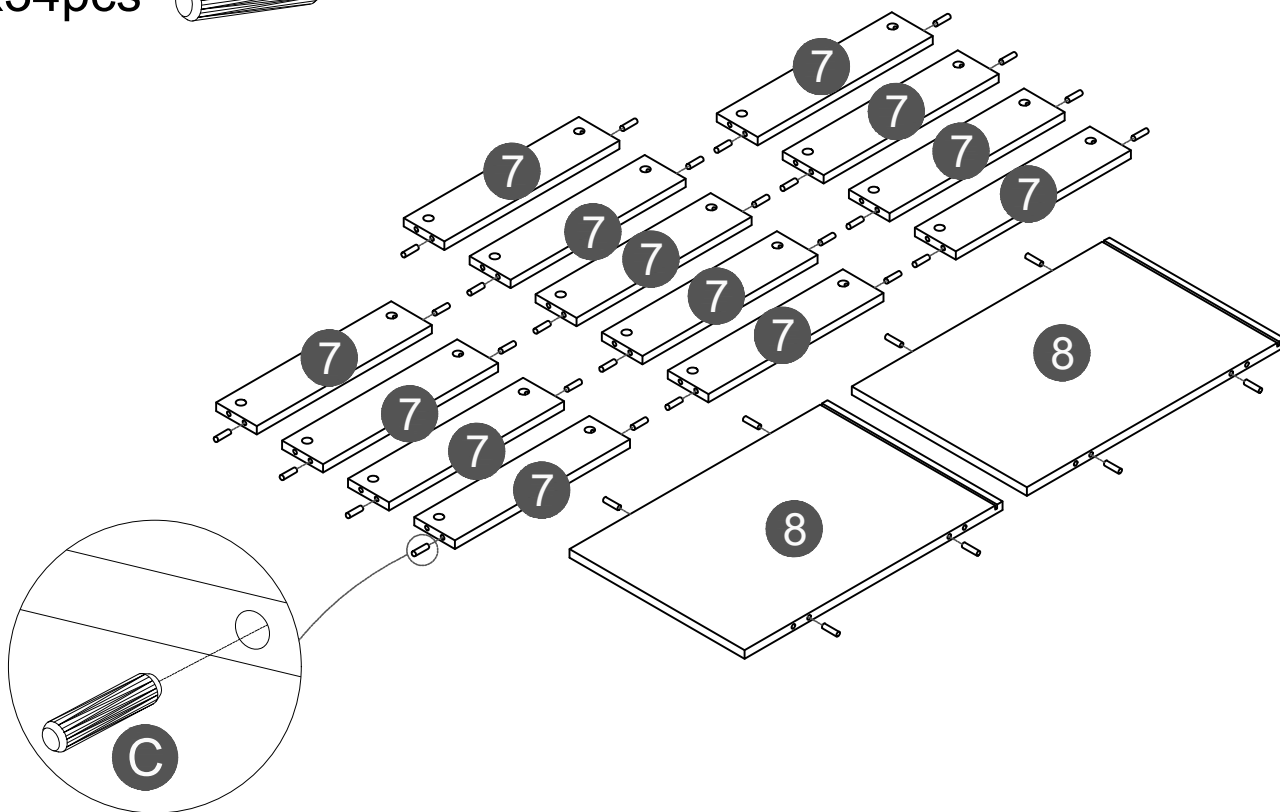


C x4pcs



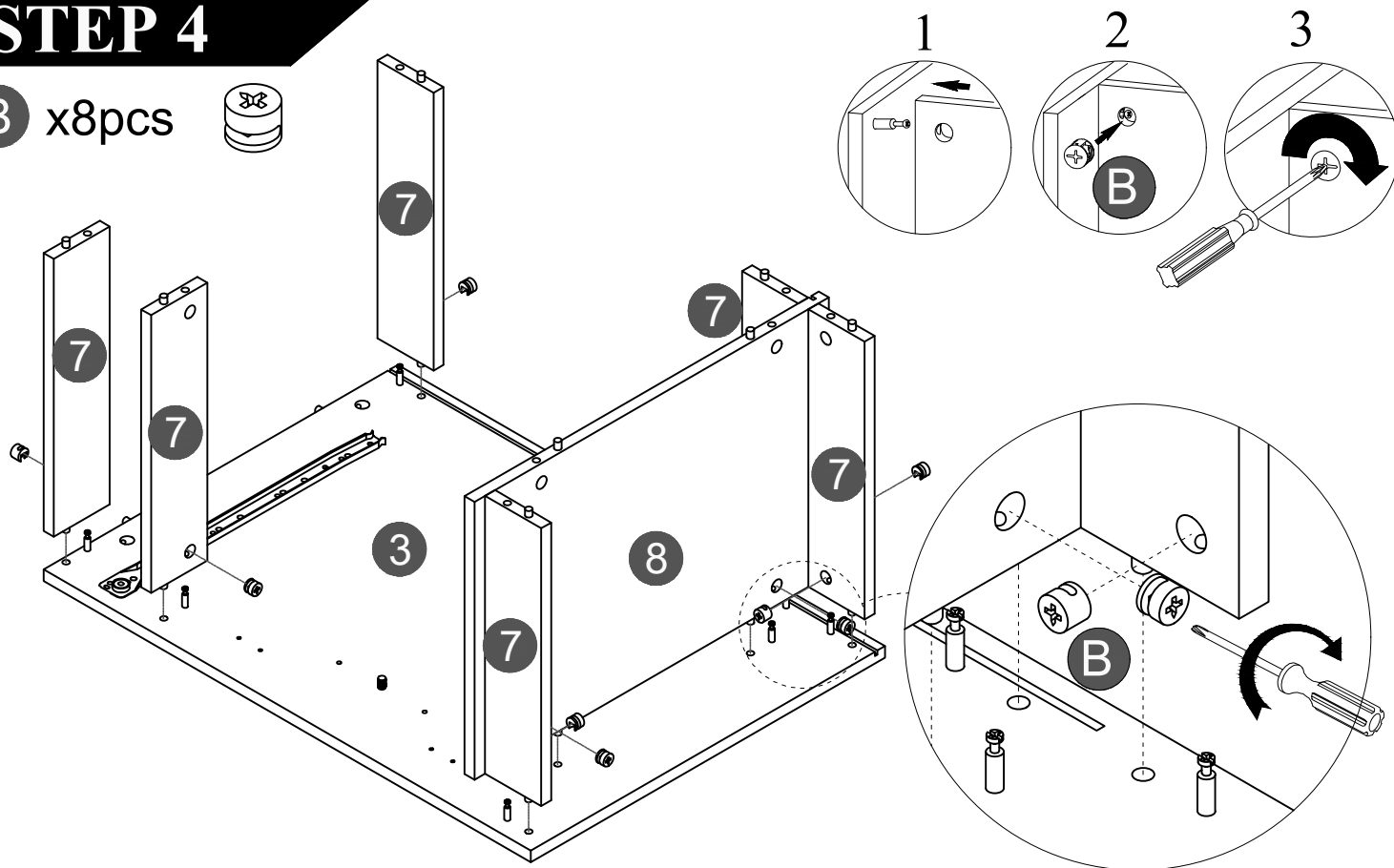
STEP 3

C x34pcs 



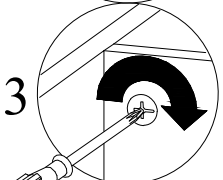
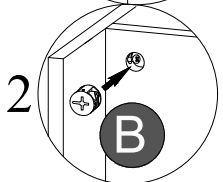
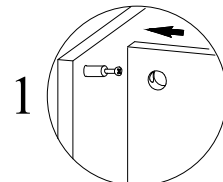
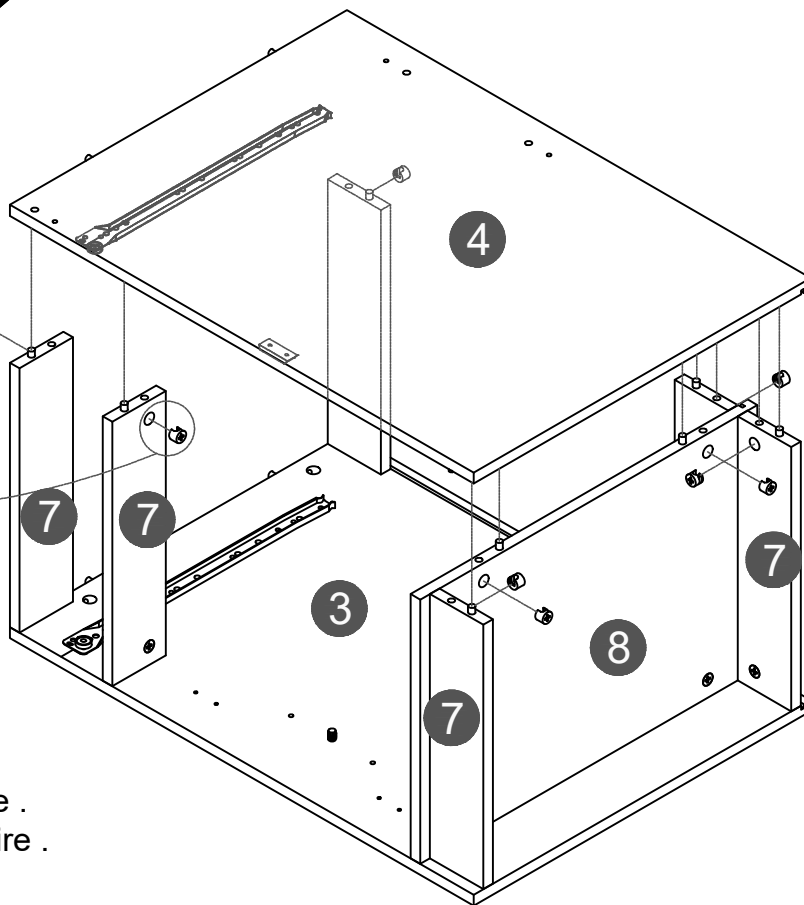
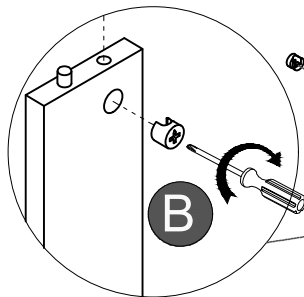
STEP 4

B x8pcs 



STEP 5

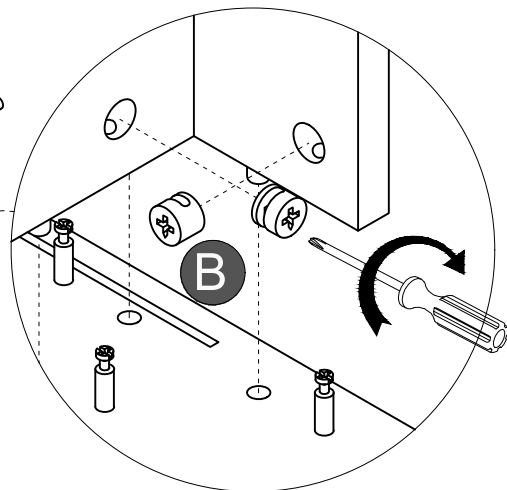
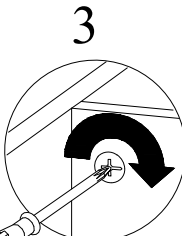
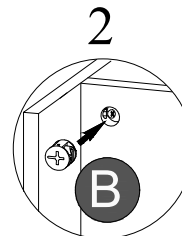
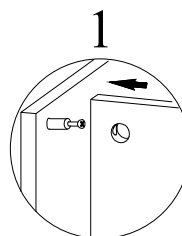
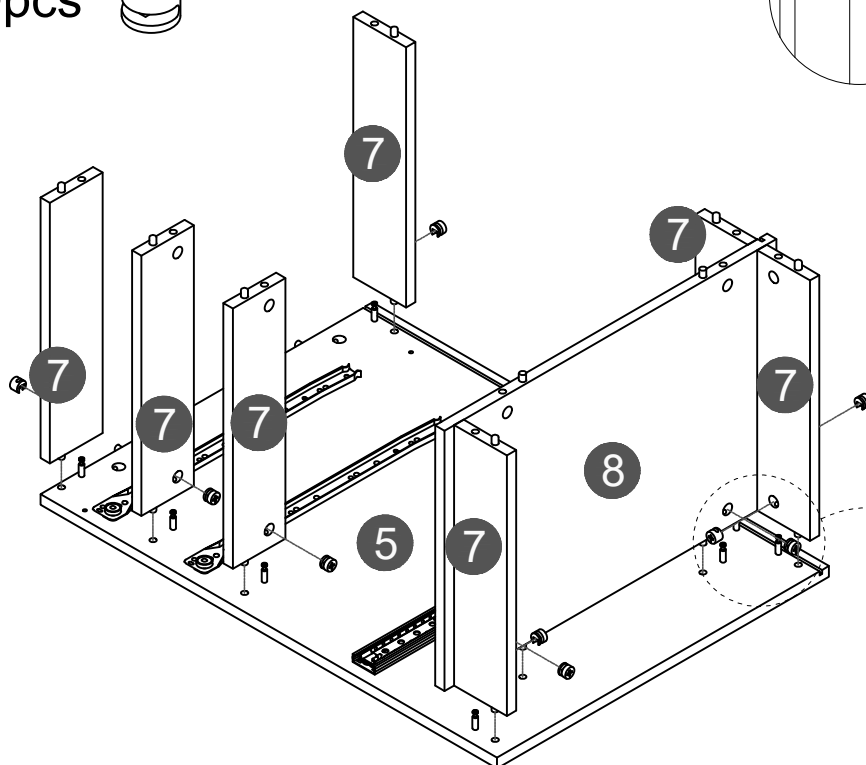
B x8pcs



An assistant is required .
Es necesario un ayudante .
Un assistant est necessaire .

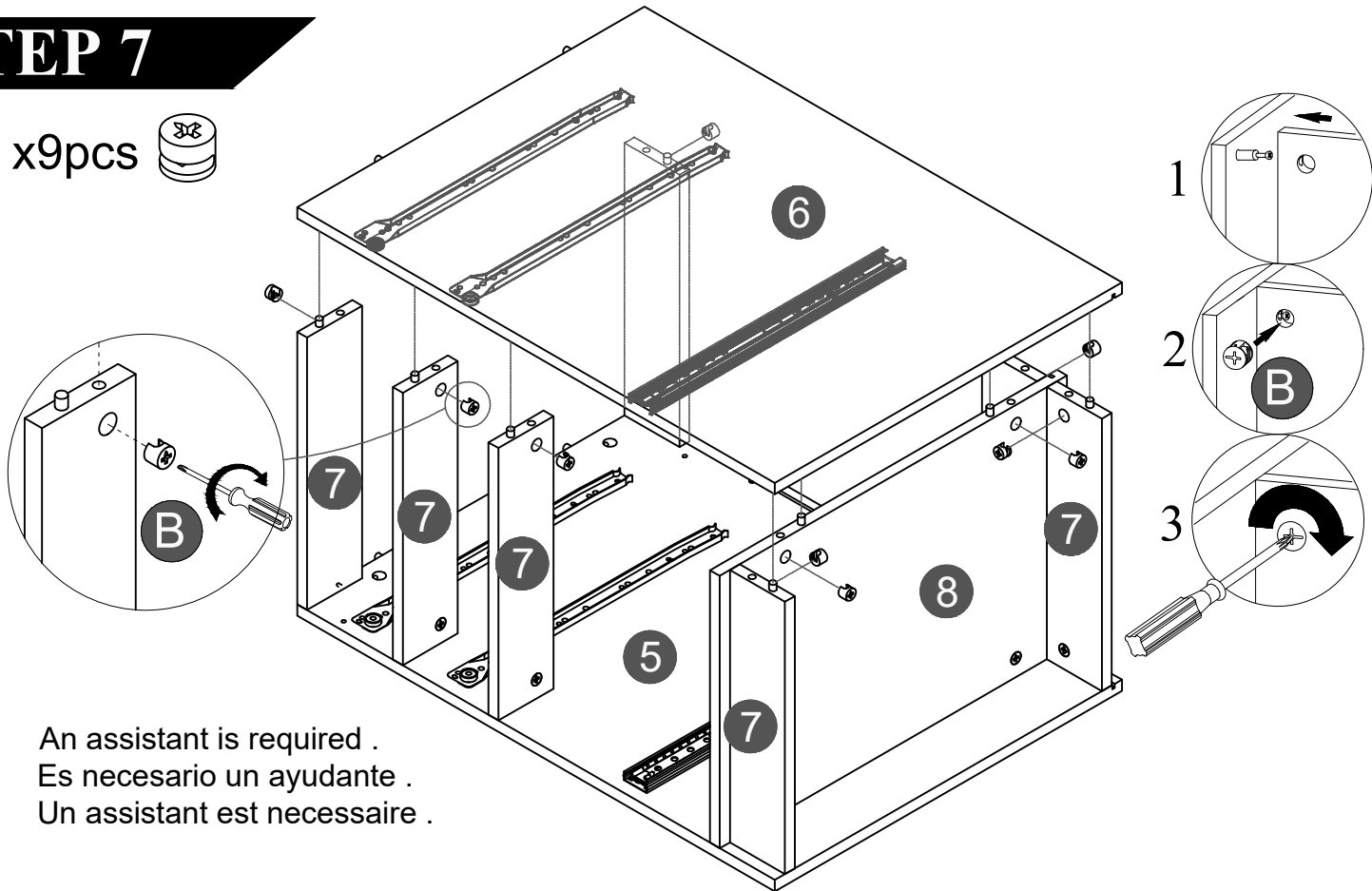
STEP 6

B x9pcs



STEP 7

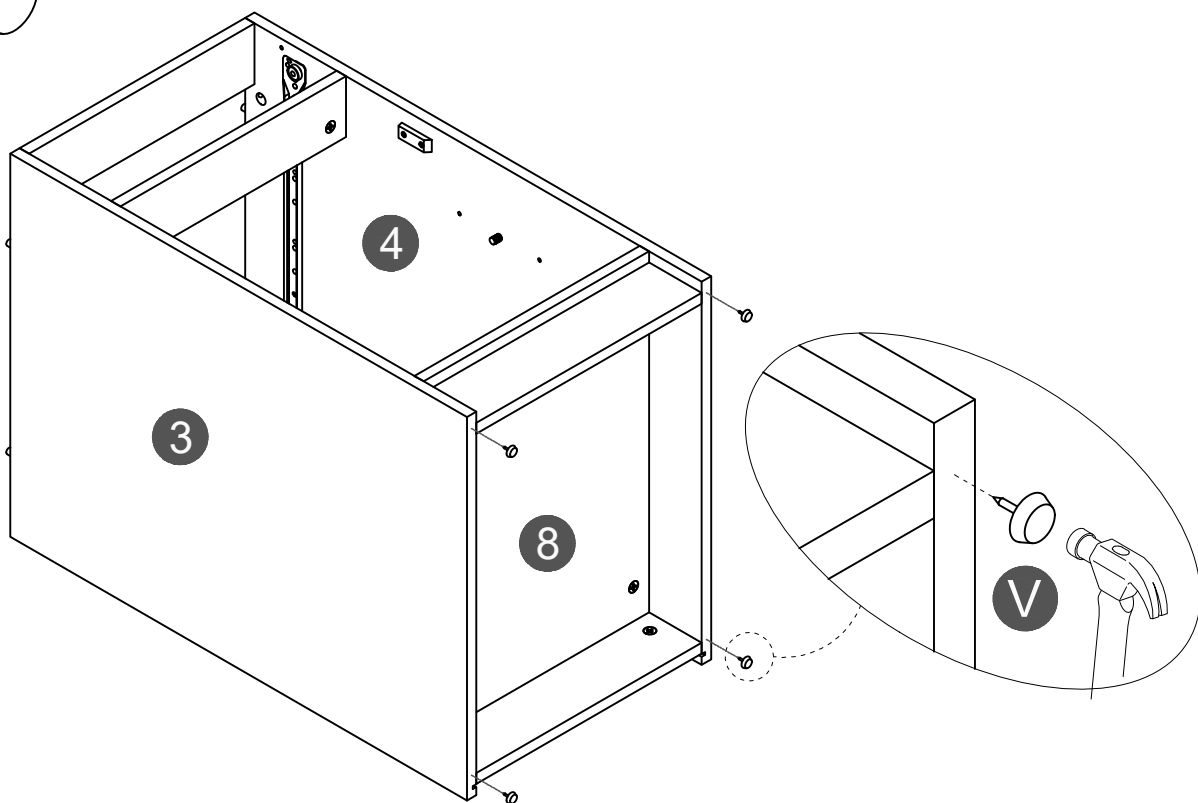
B x9pcs 



An assistant is required .
Es necesario un ayudante .
Un assistant est necessaire .

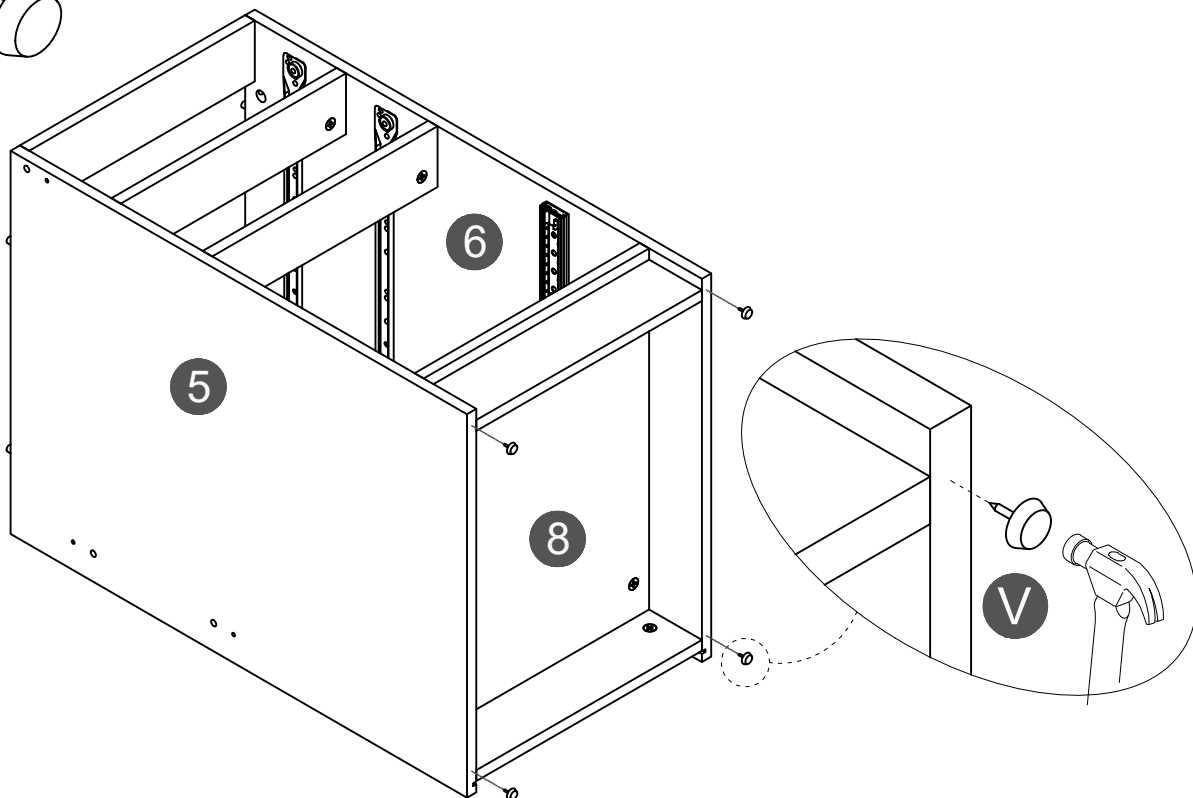
STEP 8

V x4pcs 

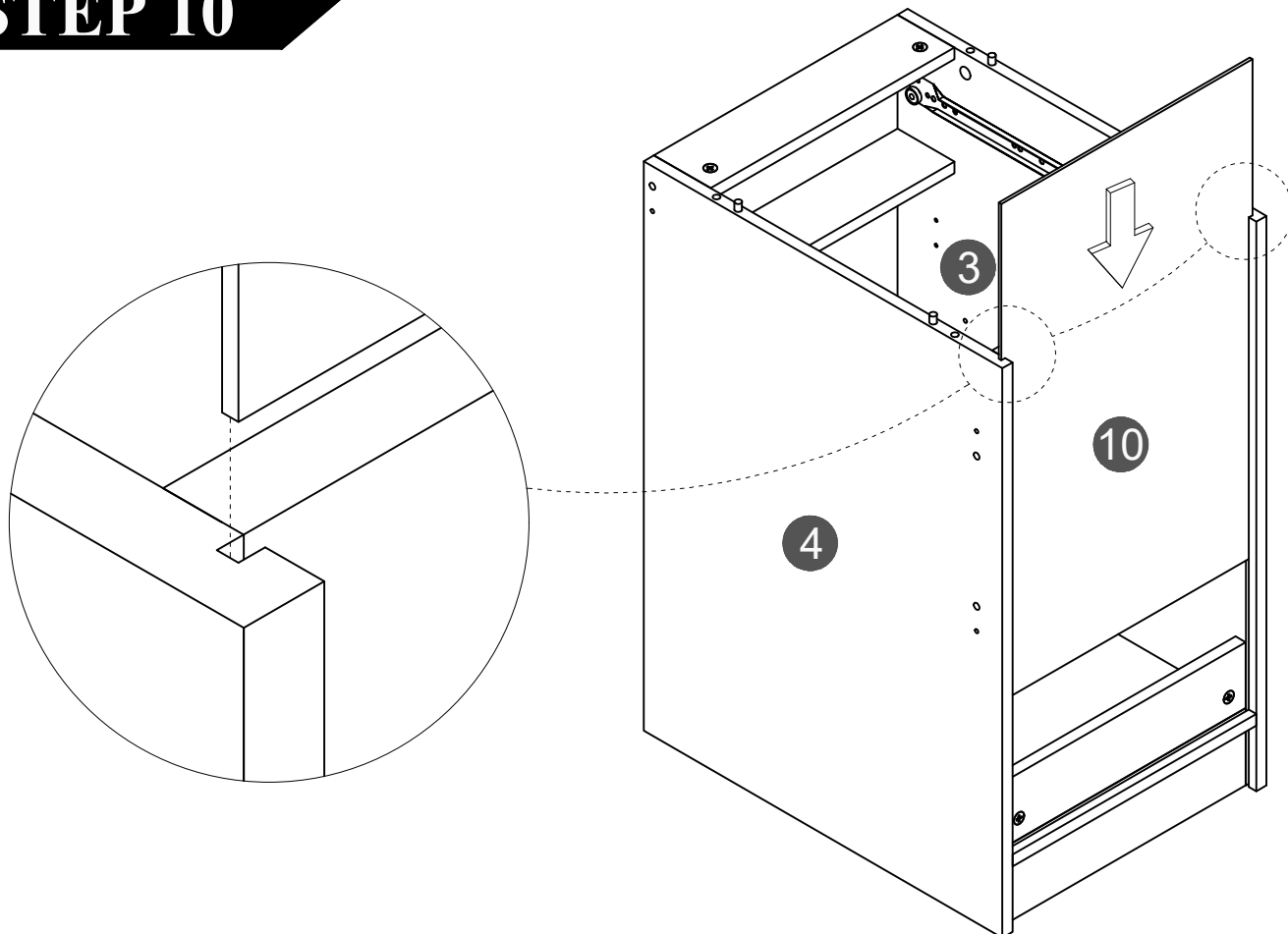


STEP 9

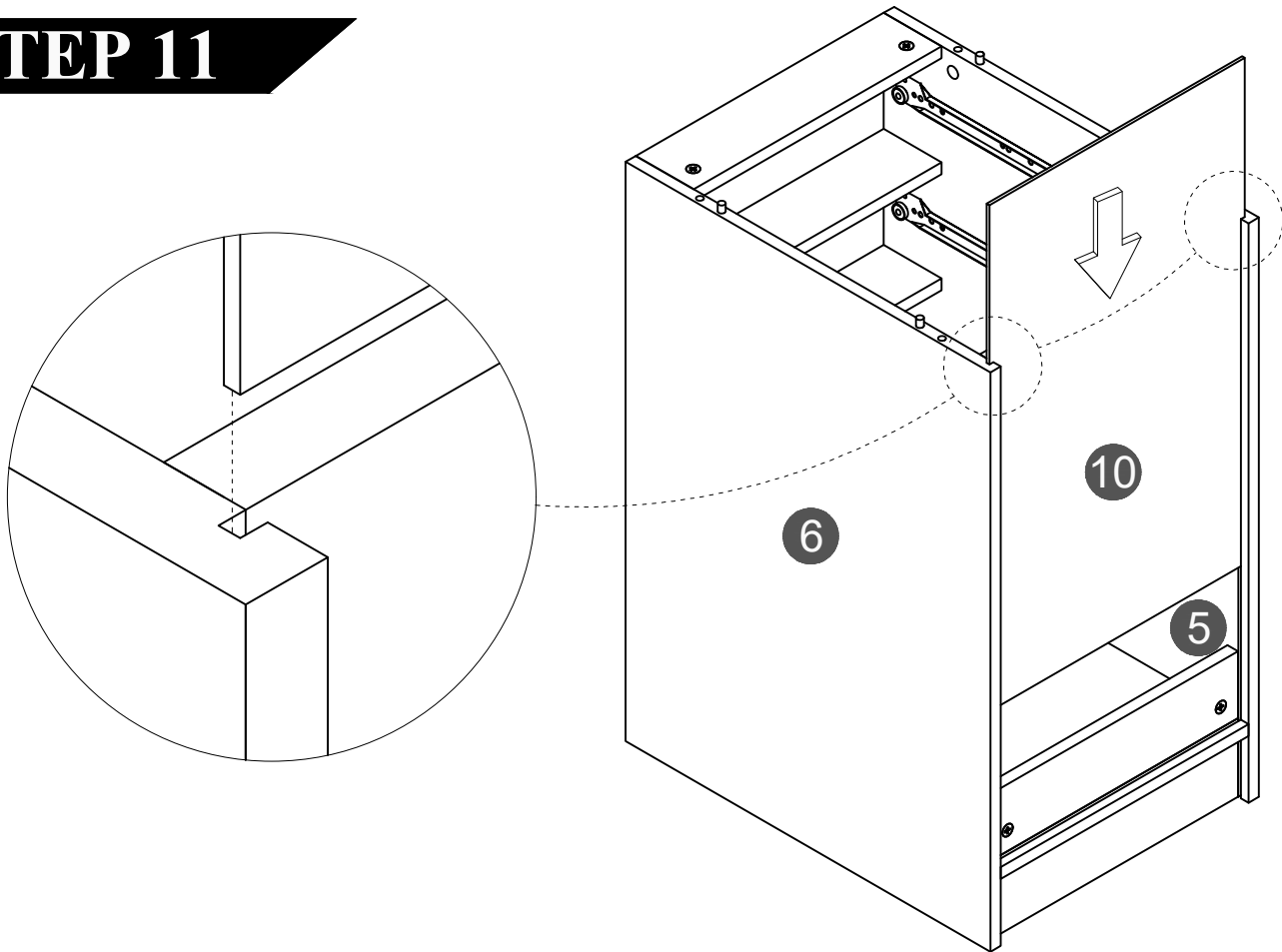
V x4pcs 



STEP 10



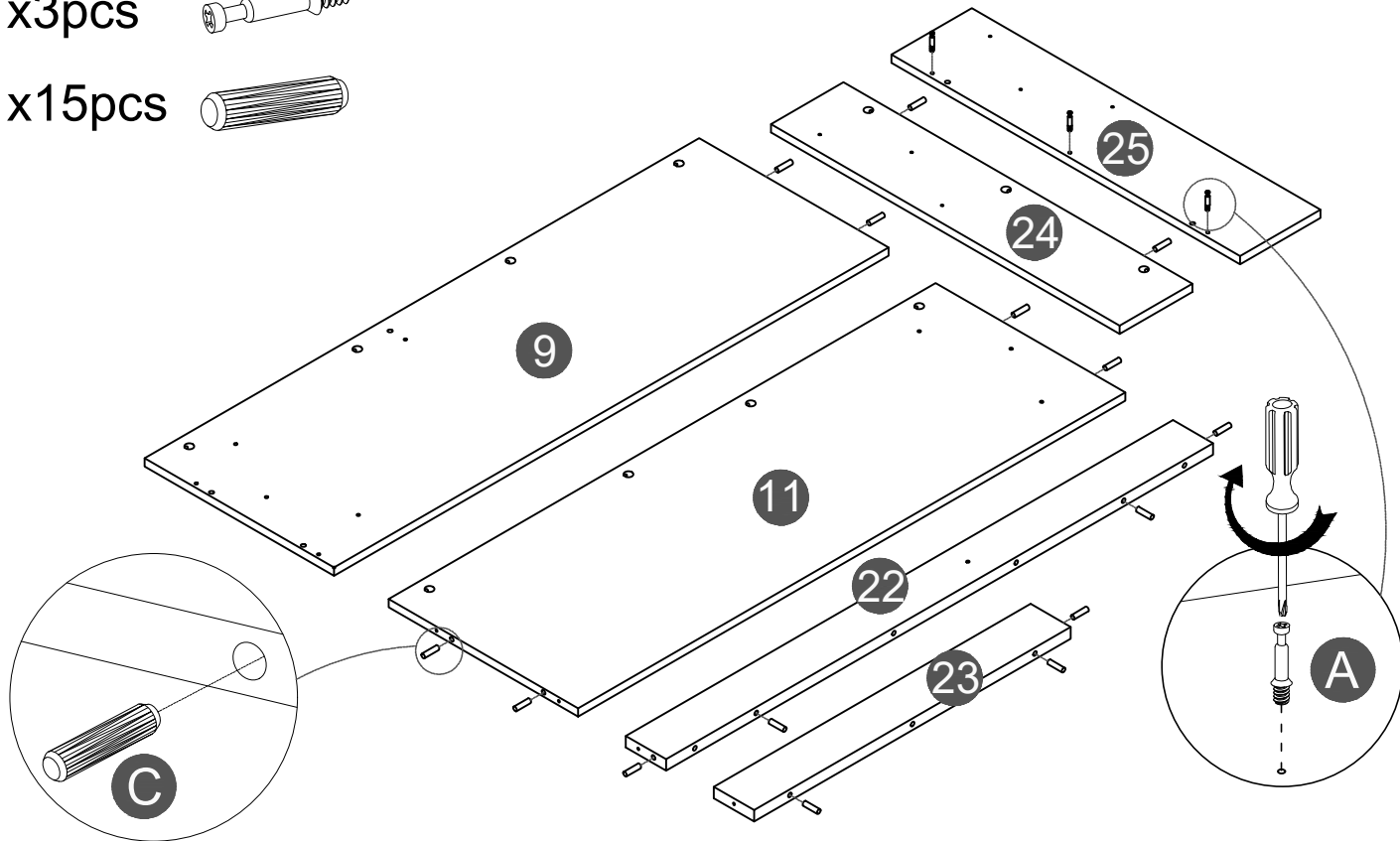
STEP 11



STEP 12

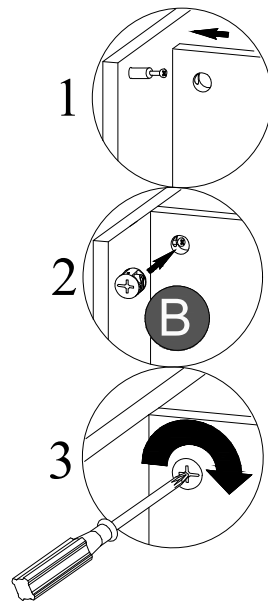
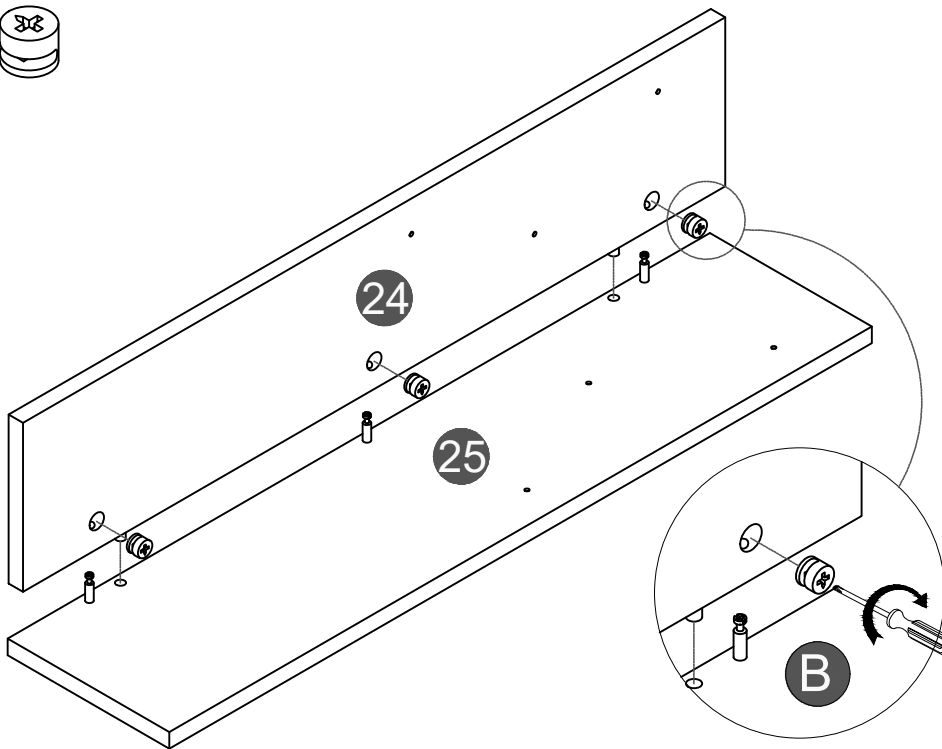
A x3pcs 

C x15pcs 




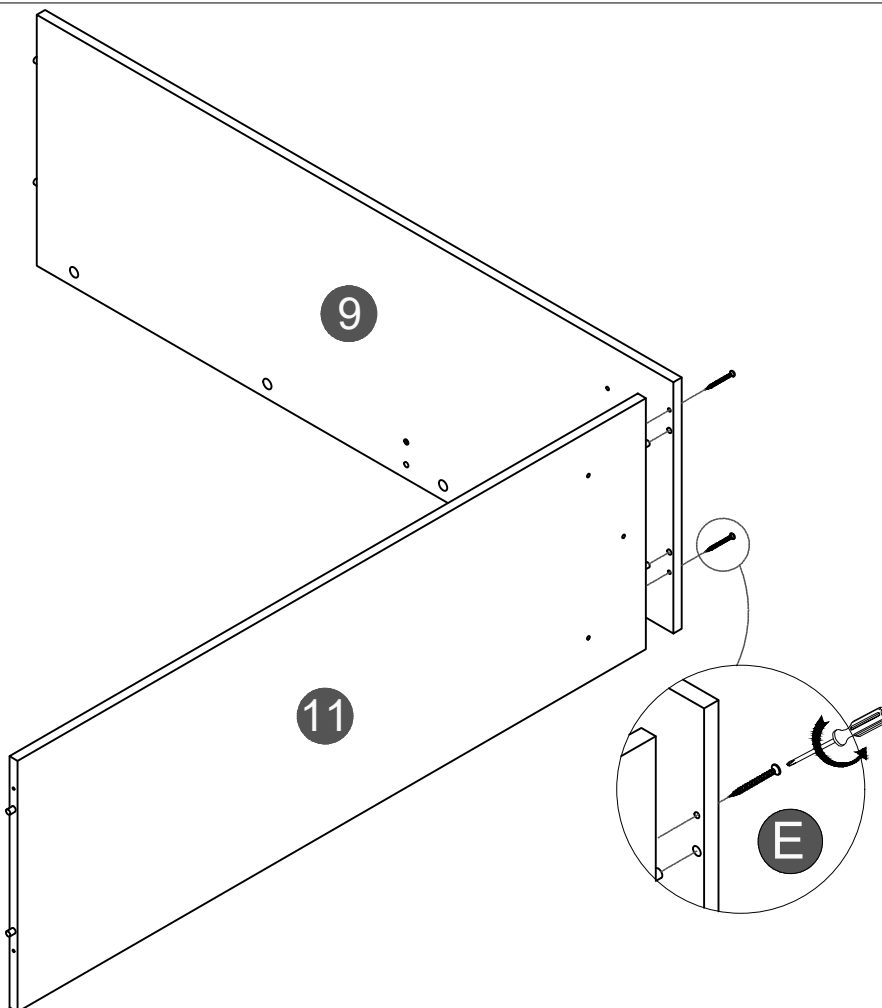
STEP 13

B x3pcs 



STEP 14

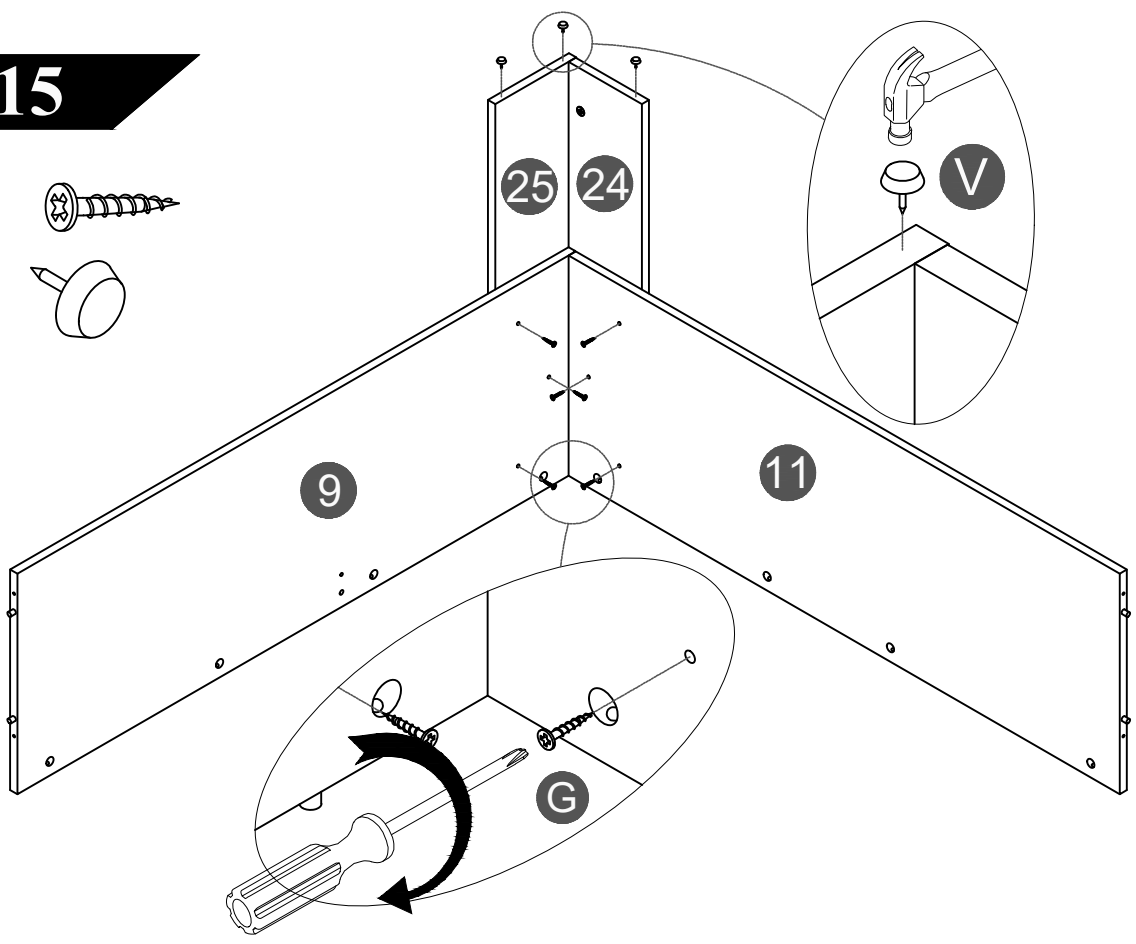
E x2pcs 



STEP 15

G x6pcs 

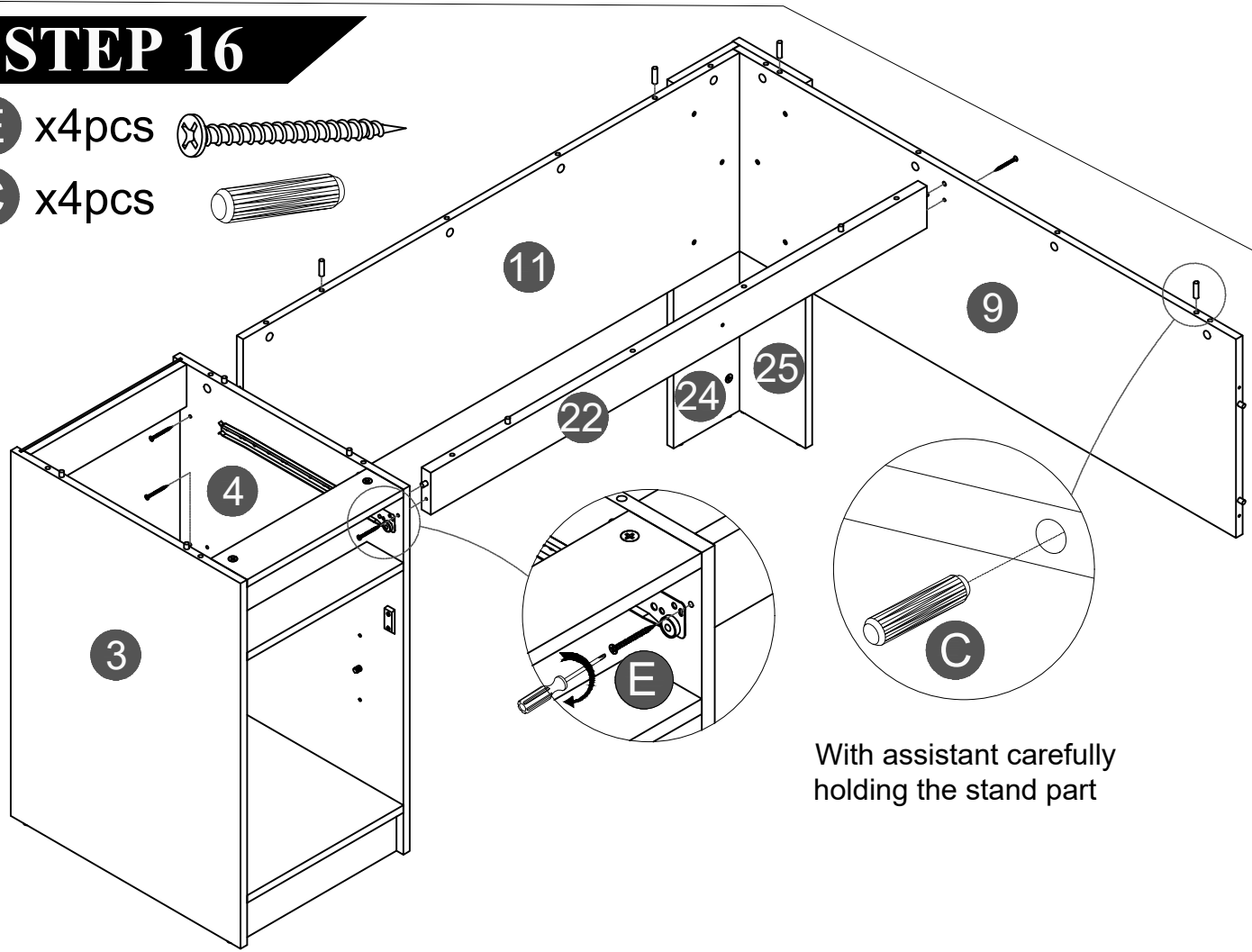
V x3pcs 



STEP 16

E x4pcs 

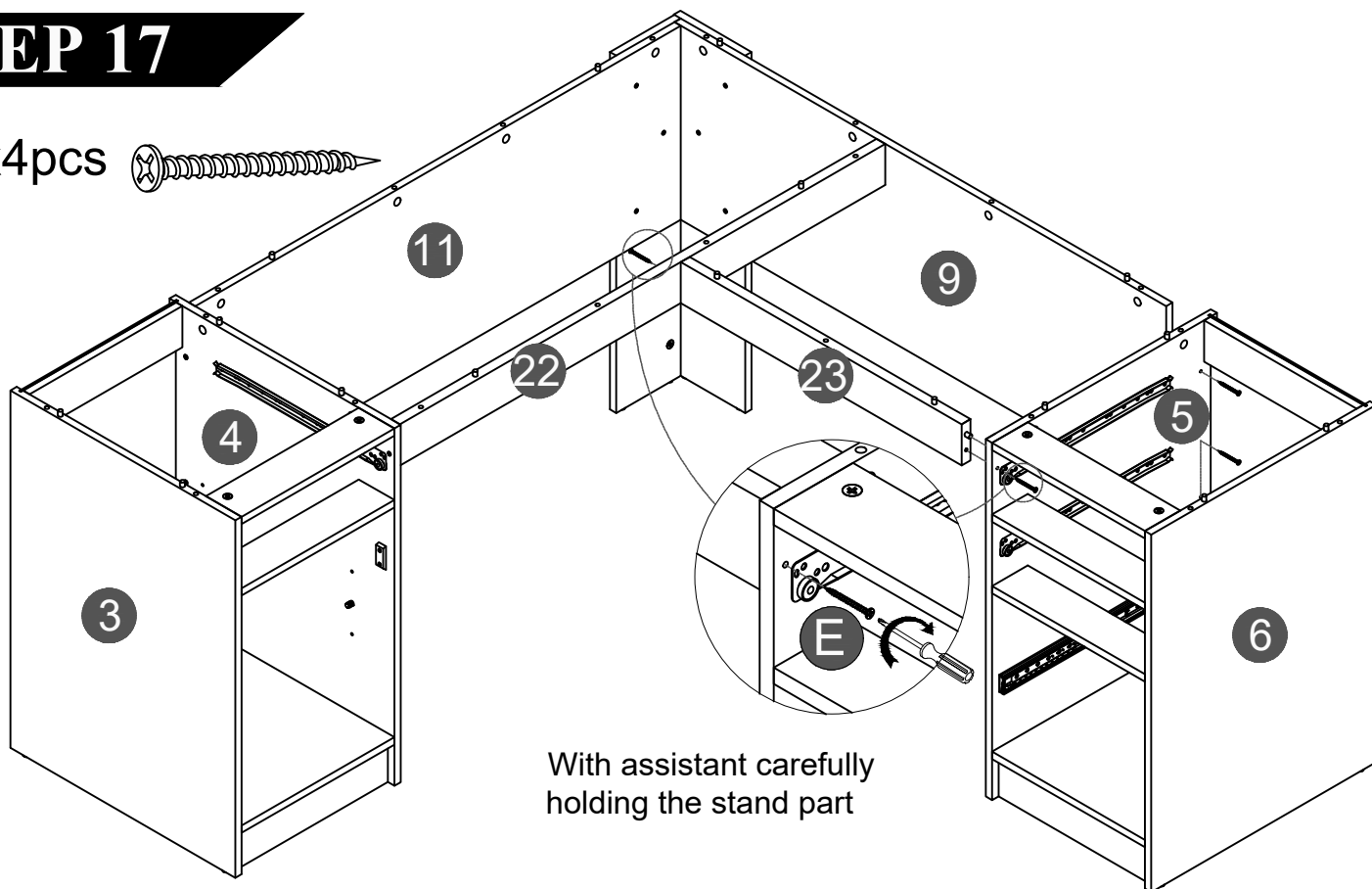
C x4pcs 



With assistant carefully holding the stand part

STEP 17


E x4pcs 



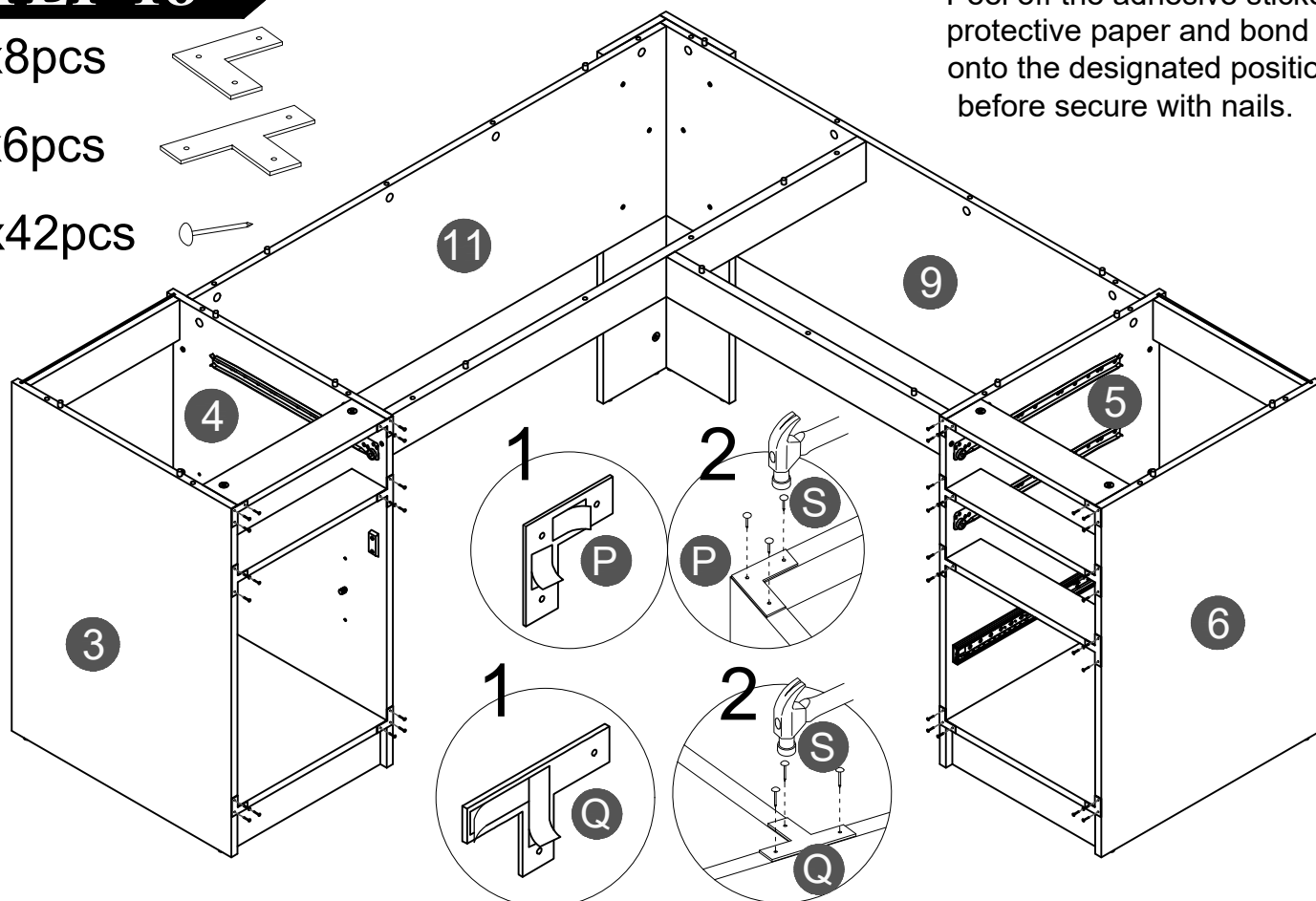
STEP 18

P x8pcs 

Q x6pcs 

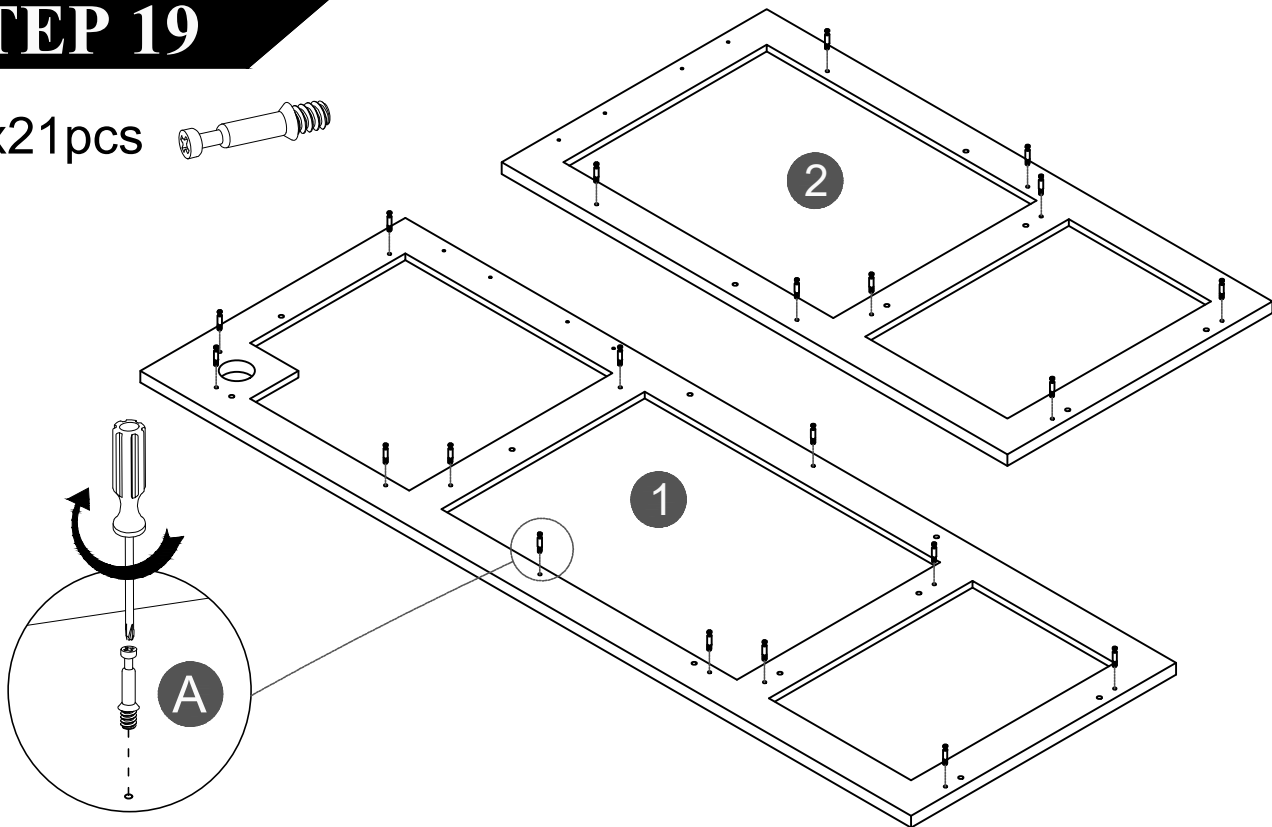
S x42pcs 

Peel off the adhesive sticker's protective paper and bond it onto the designated position before secure with nails.



STEP 19

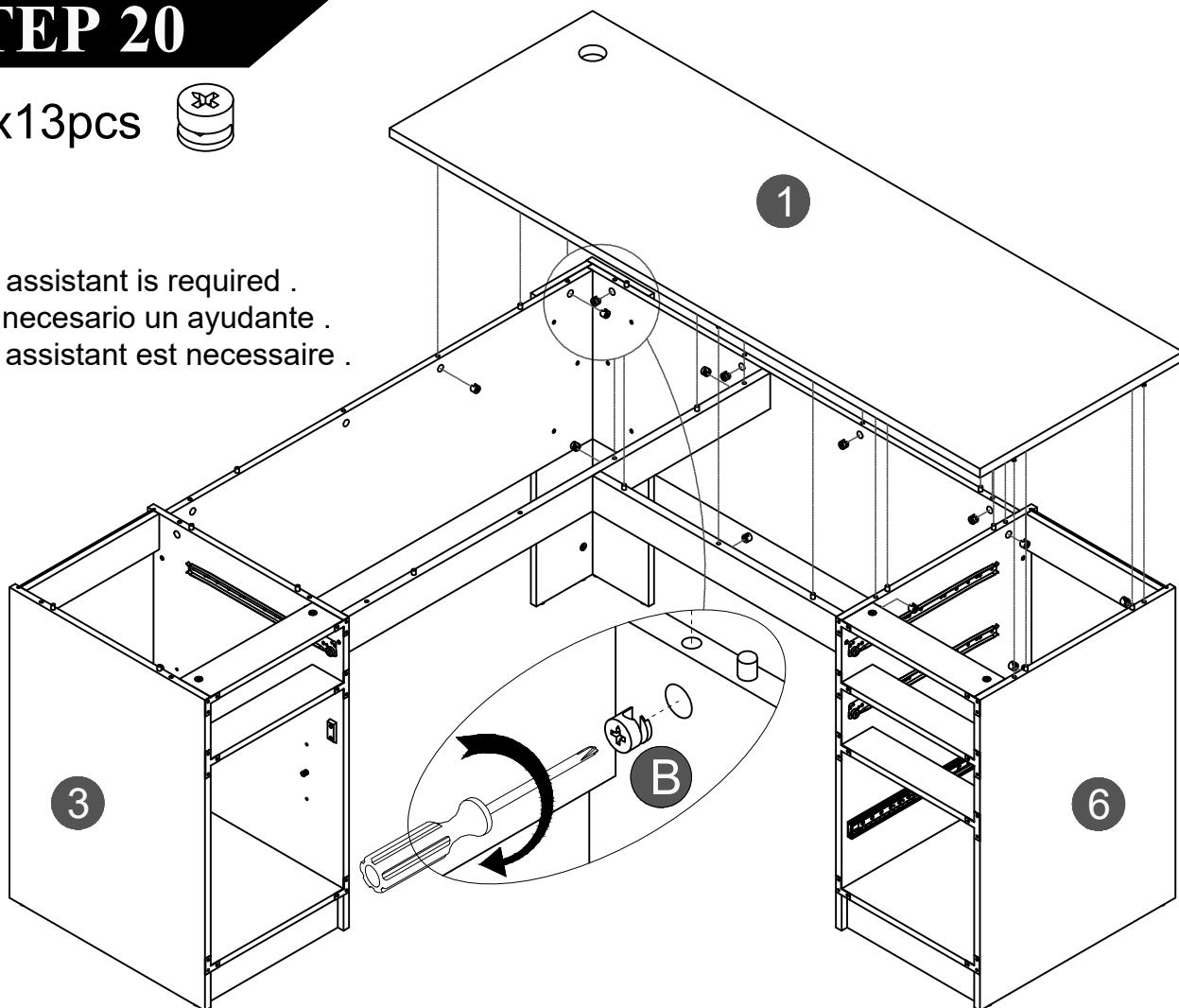
A x21pcs 



STEP 20

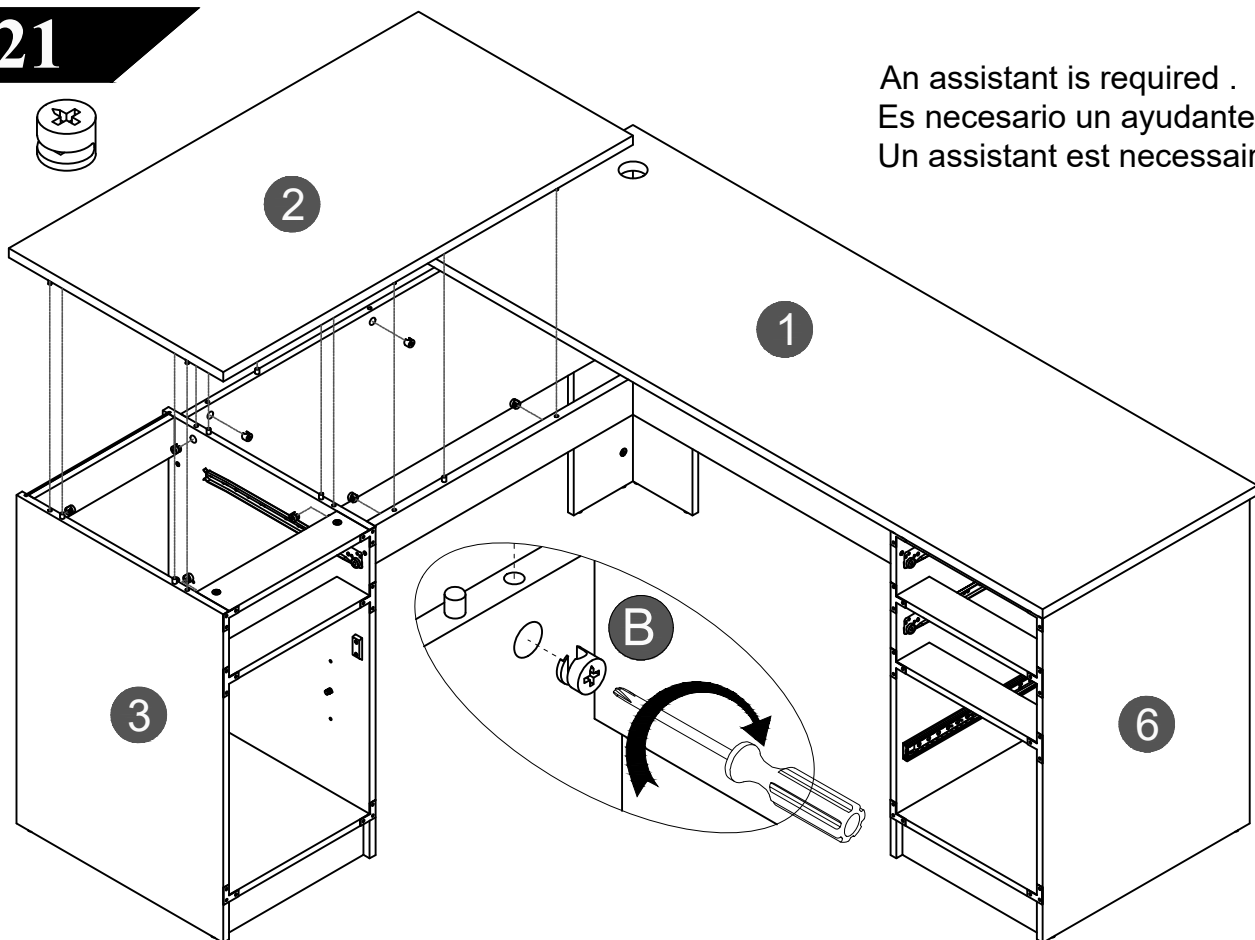
B x13pcs 

An assistant is required .
Es necesario un ayudante .
Un assistant est necessaire .



STEP 21

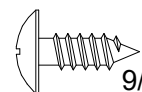
B x8pcs



An assistant is required .
Es necesario un ayudante .
Un assistant est necessaire .

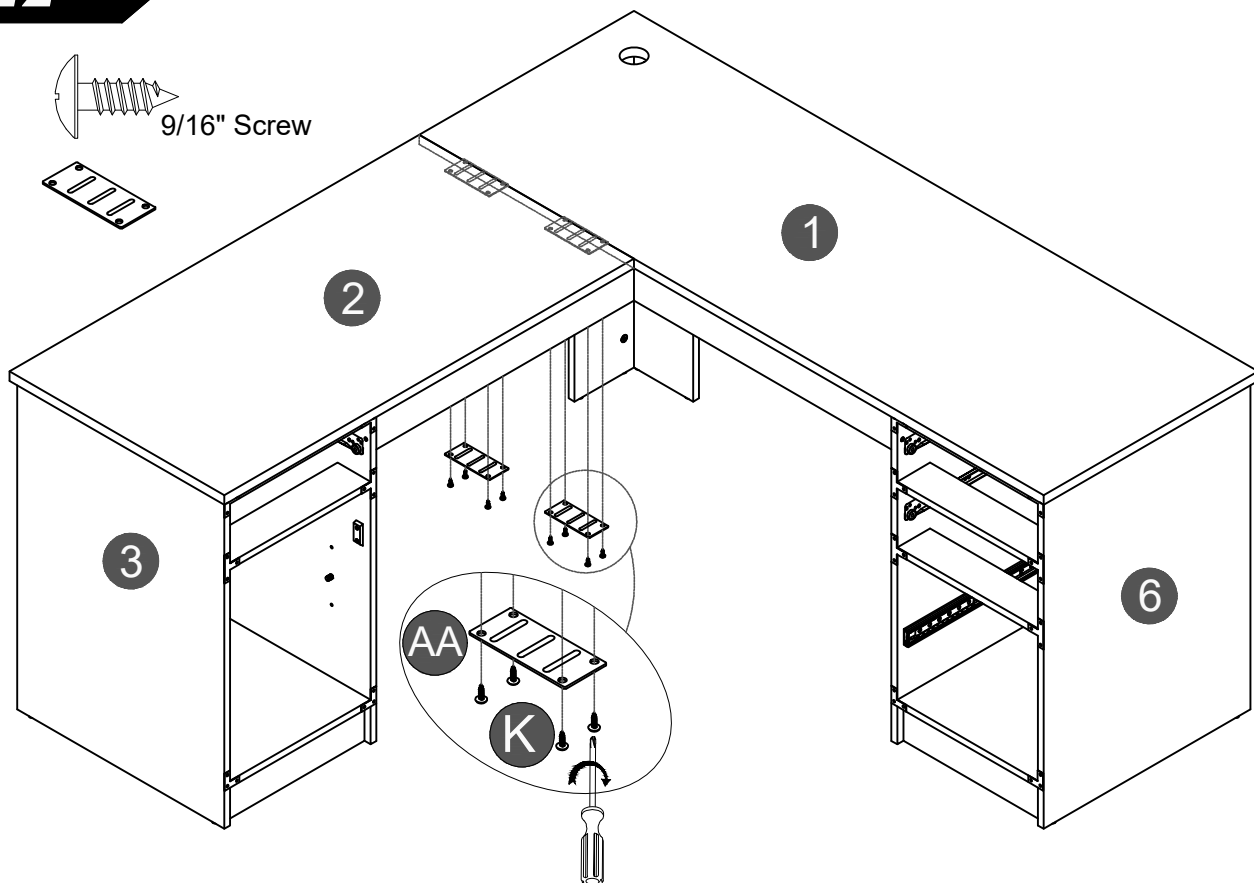
STEP 22

K x8pcs



9/16" Screw

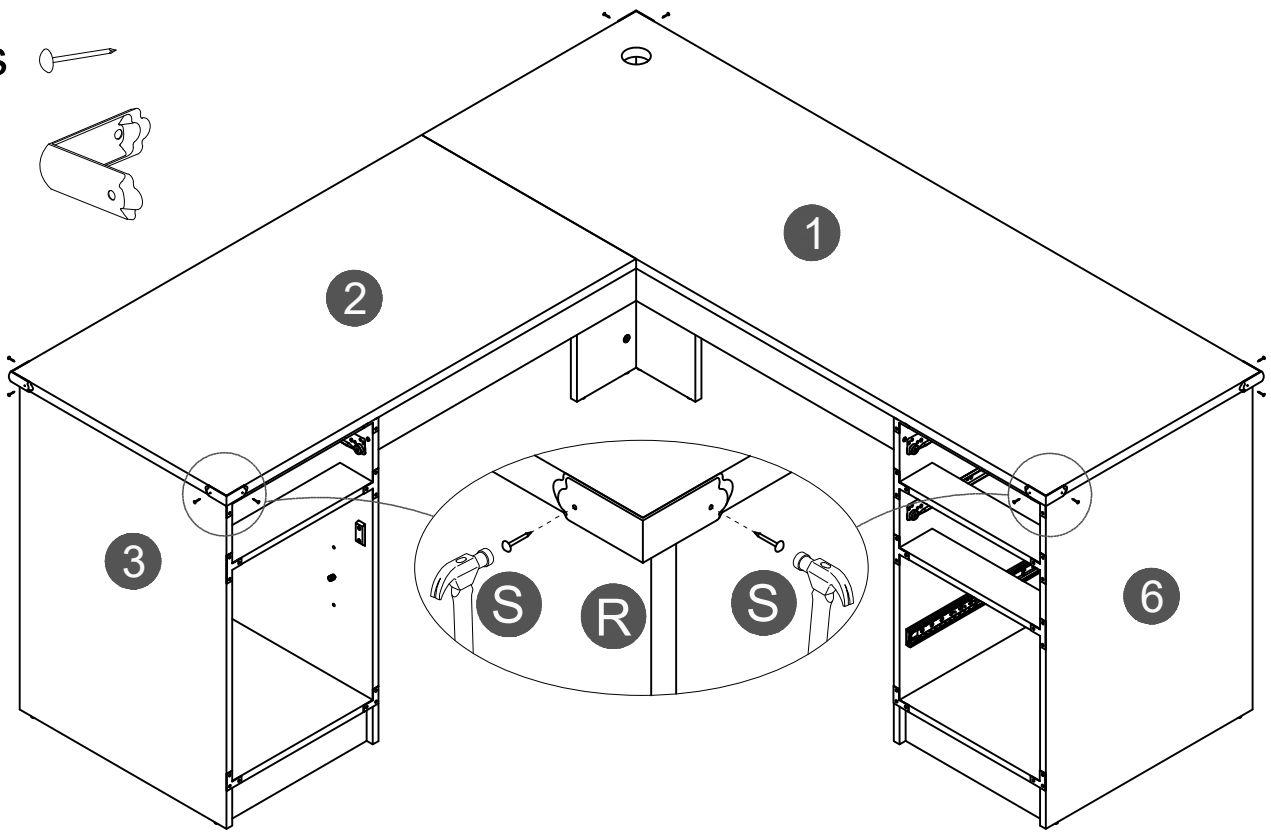
AA x2pcs



STEP 23

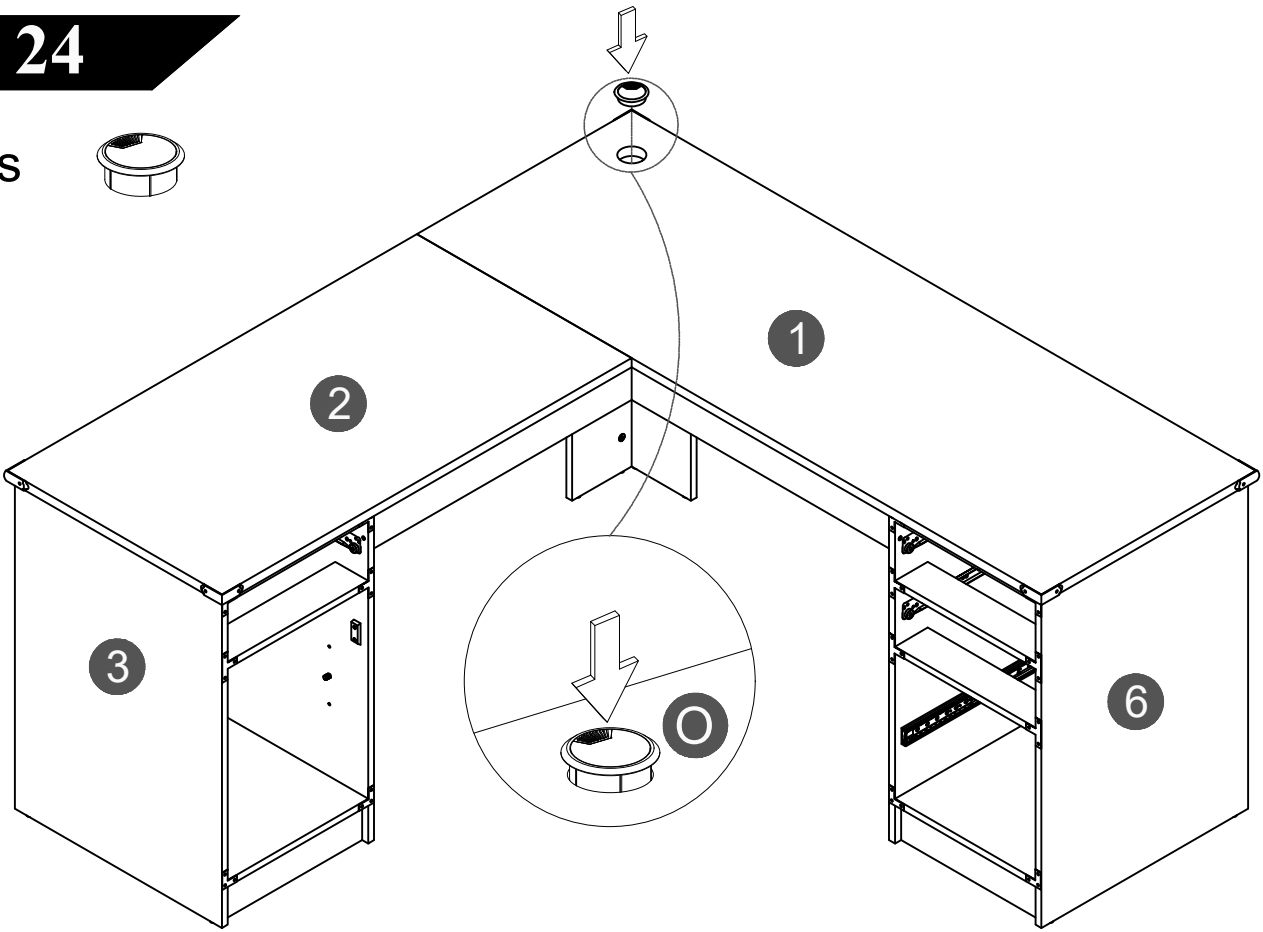
S x10pcs 

R x5pcs 

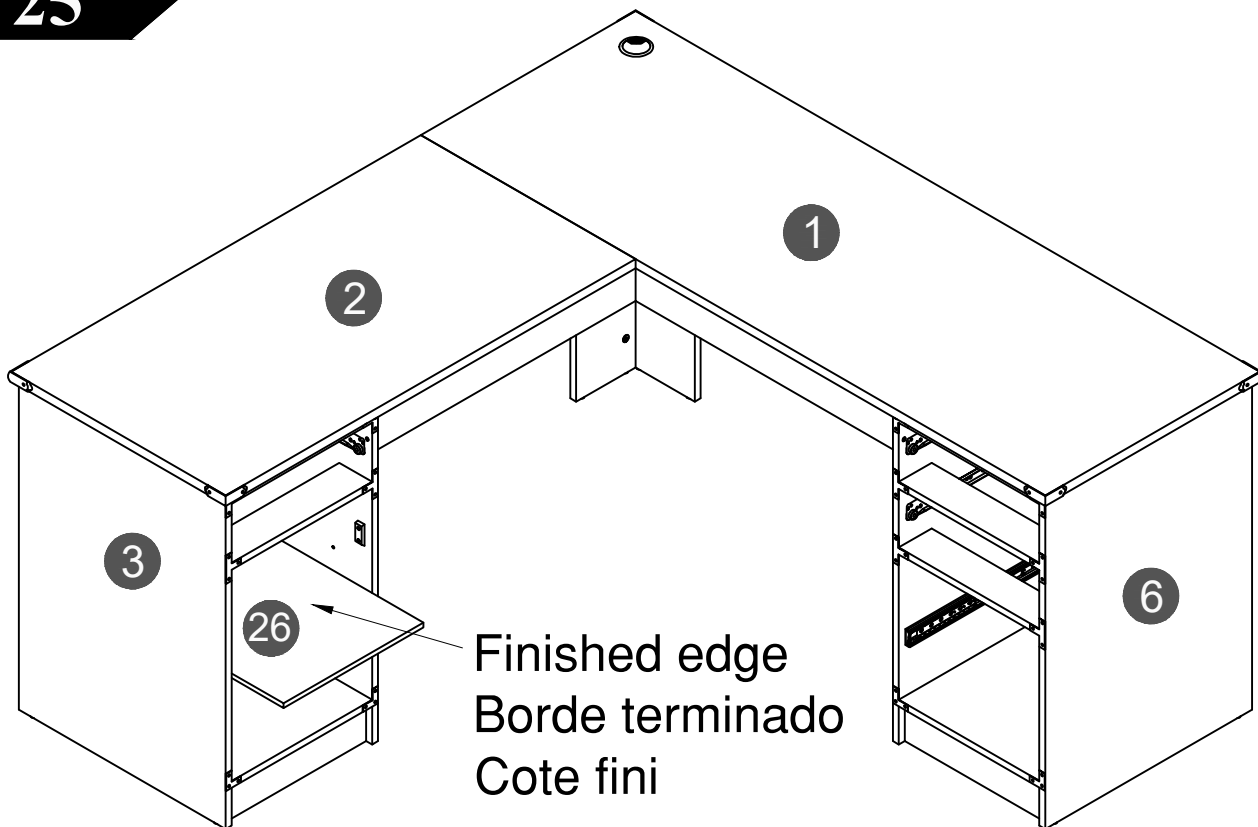


STEP 24

O x1pcs 



STEP 25



STEP 26

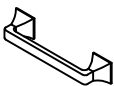
D x2pcs



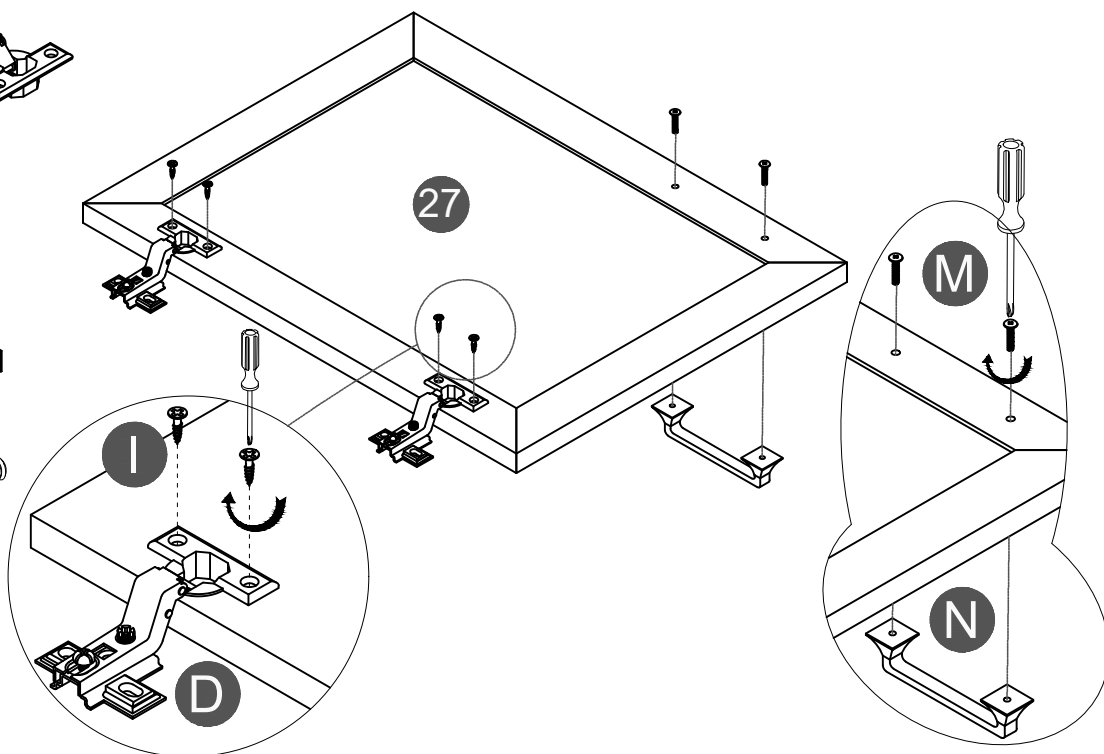
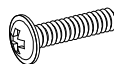
I x4pcs



N x1pcs

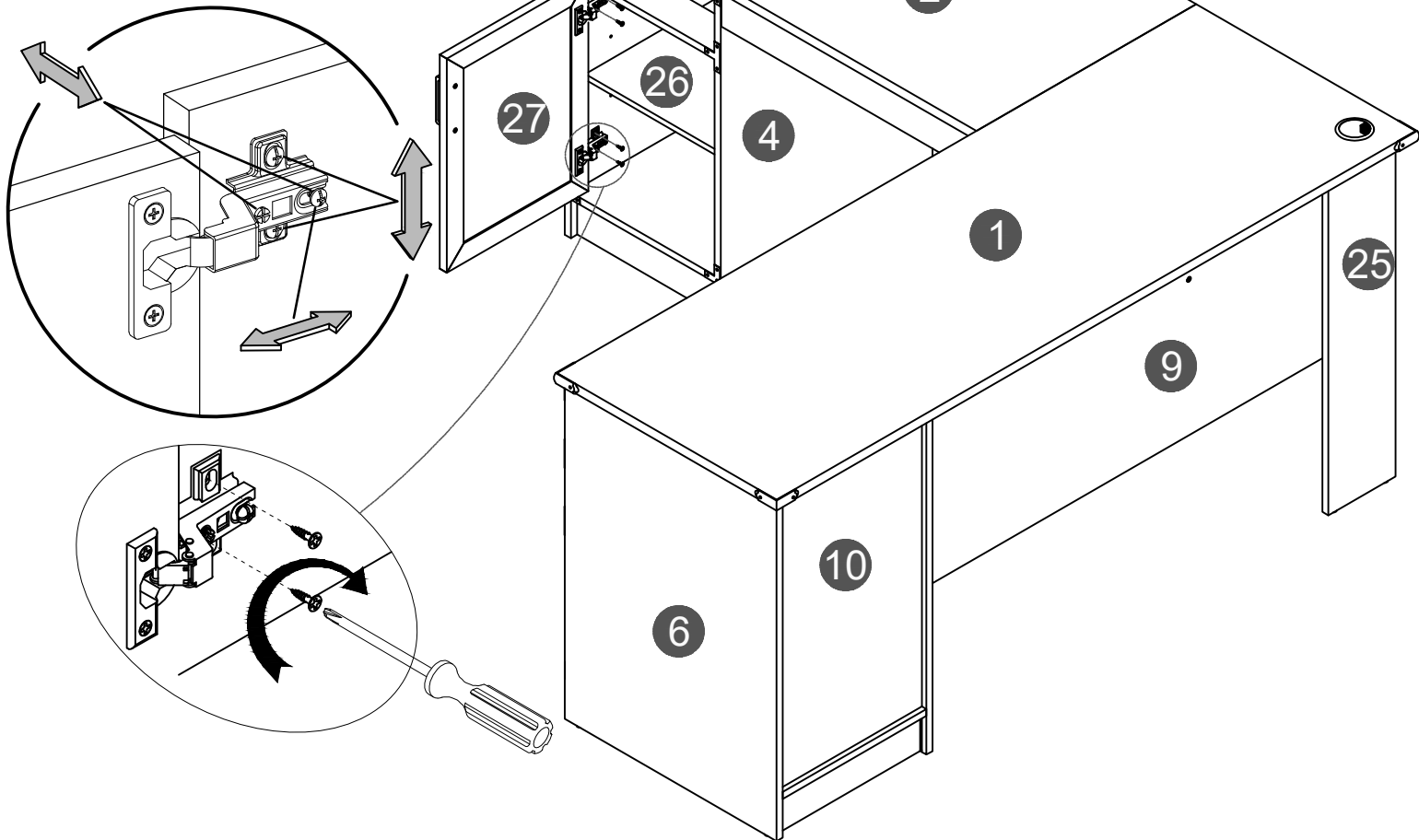


M x2pcs

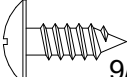


STEP 27

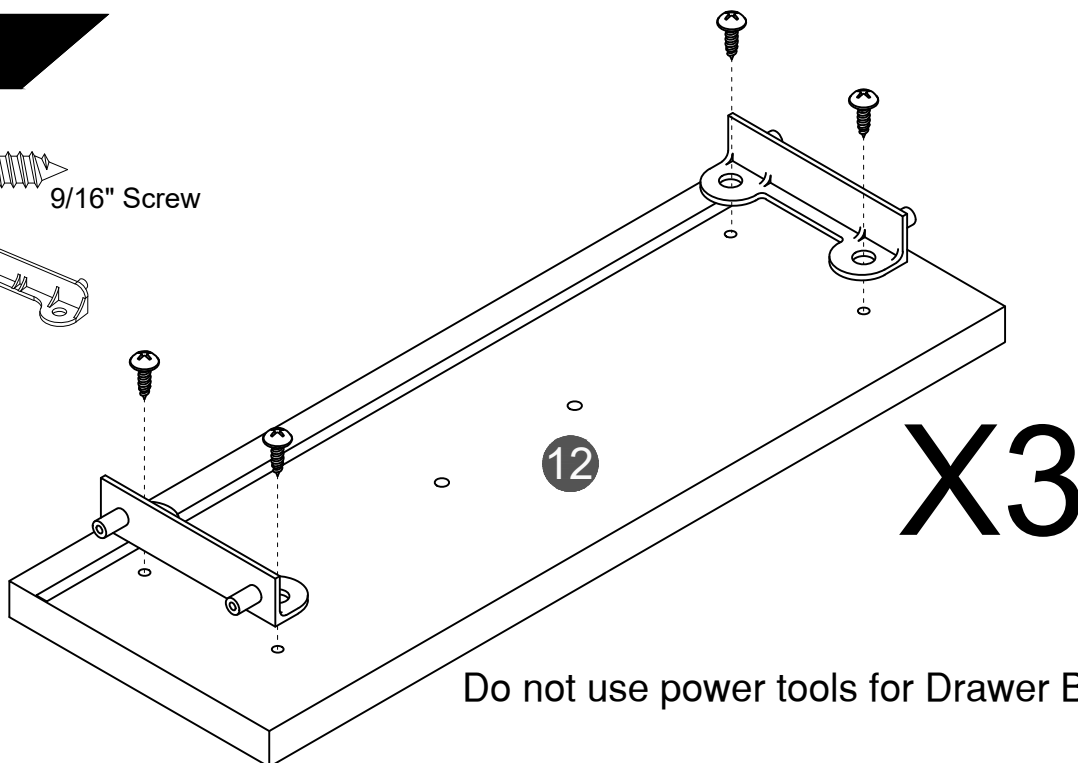
I x4pcs 



STEP 28

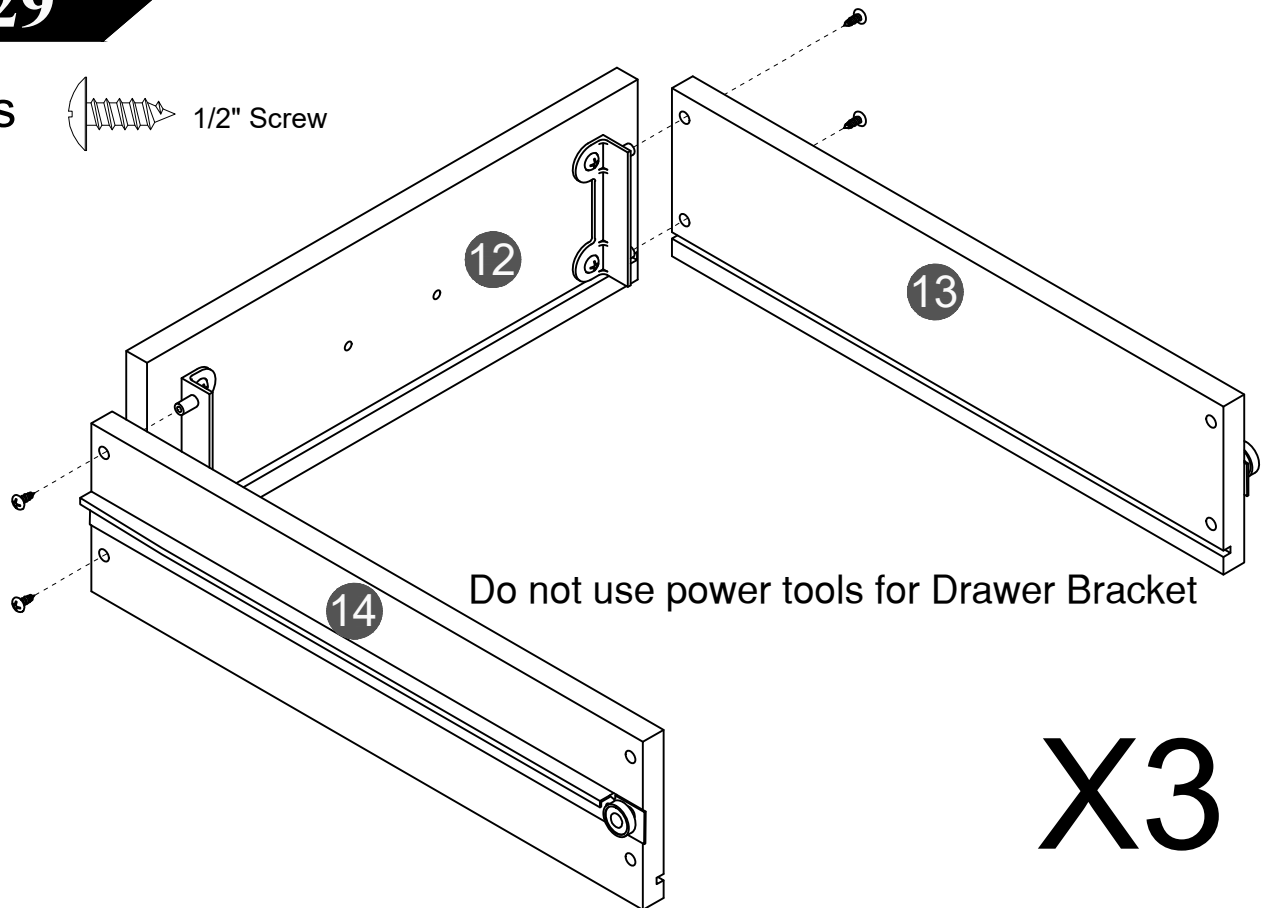
K x12pcs  9/16" Screw

W x6pcs 

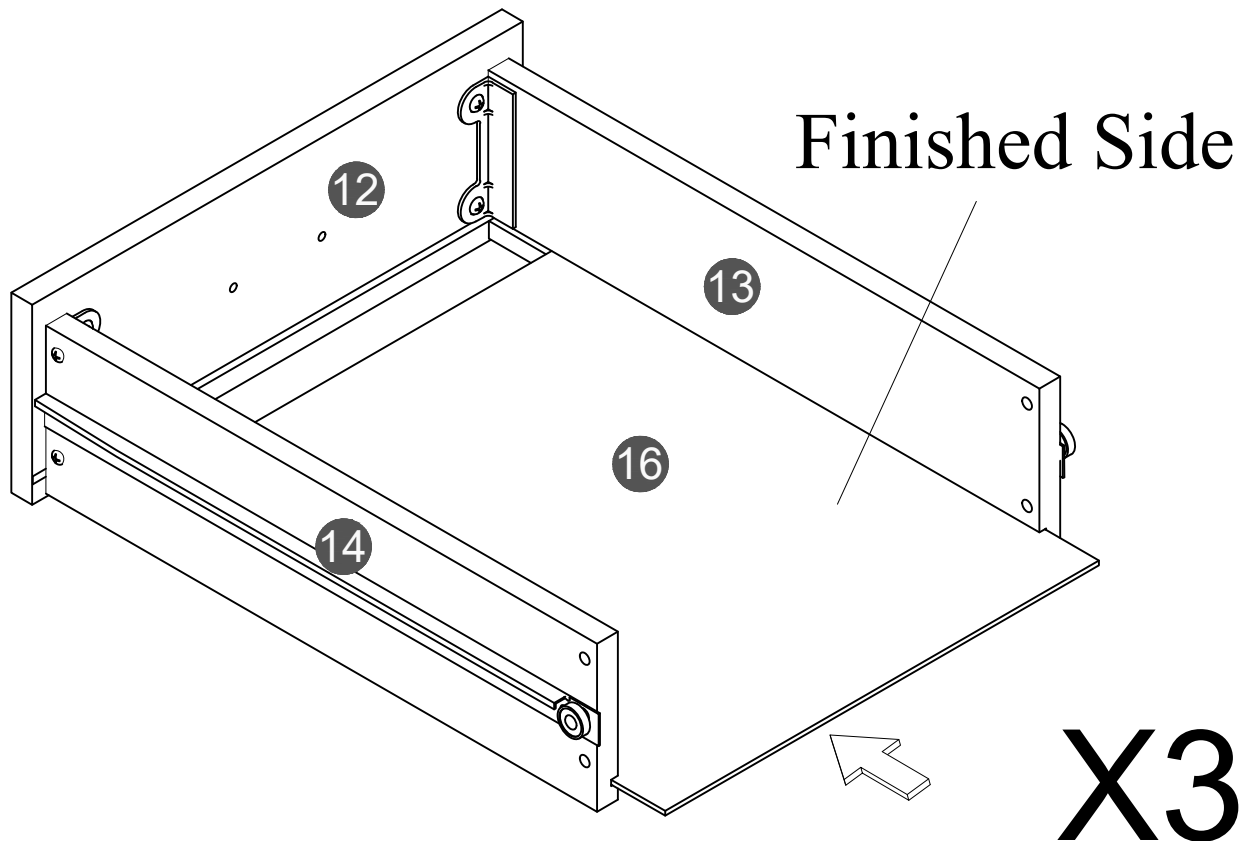


STEP 29


L x12pcs  1/2" Screw

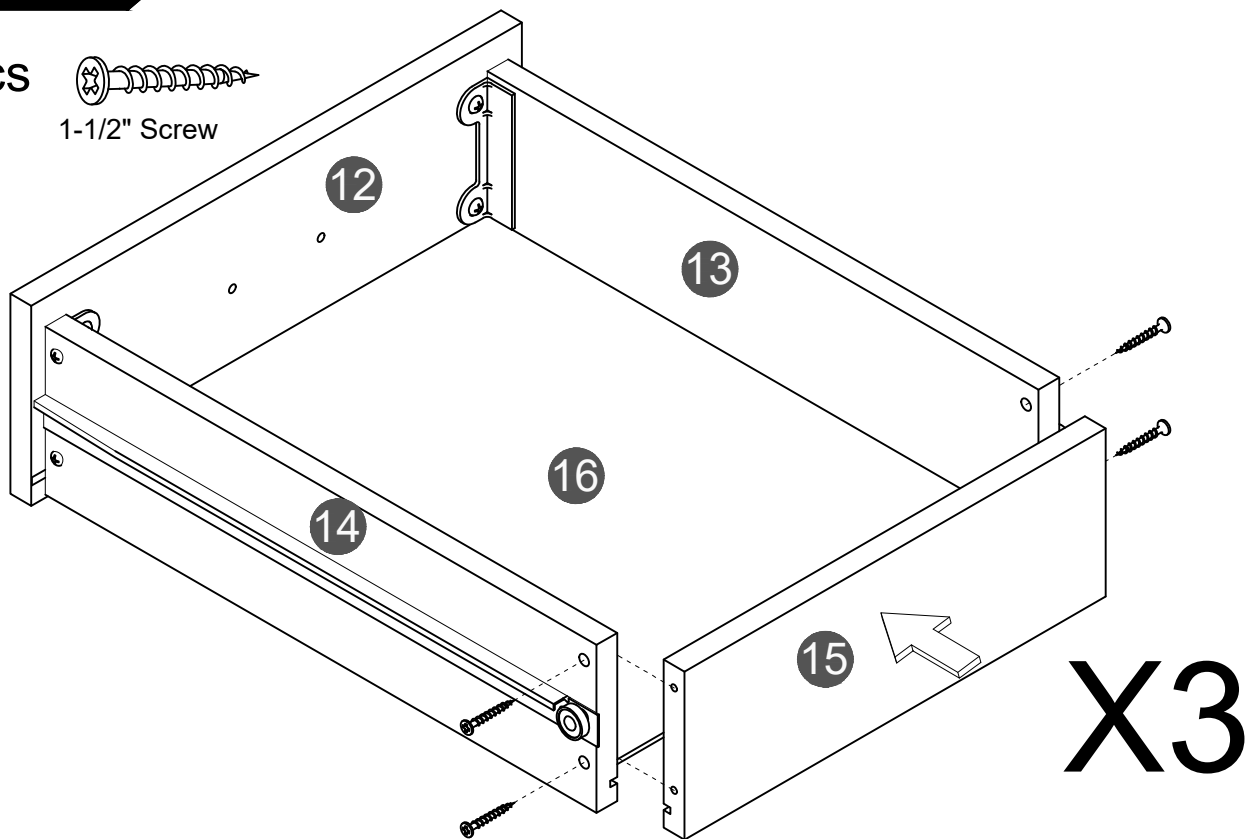


STEP 30

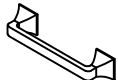
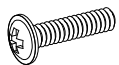


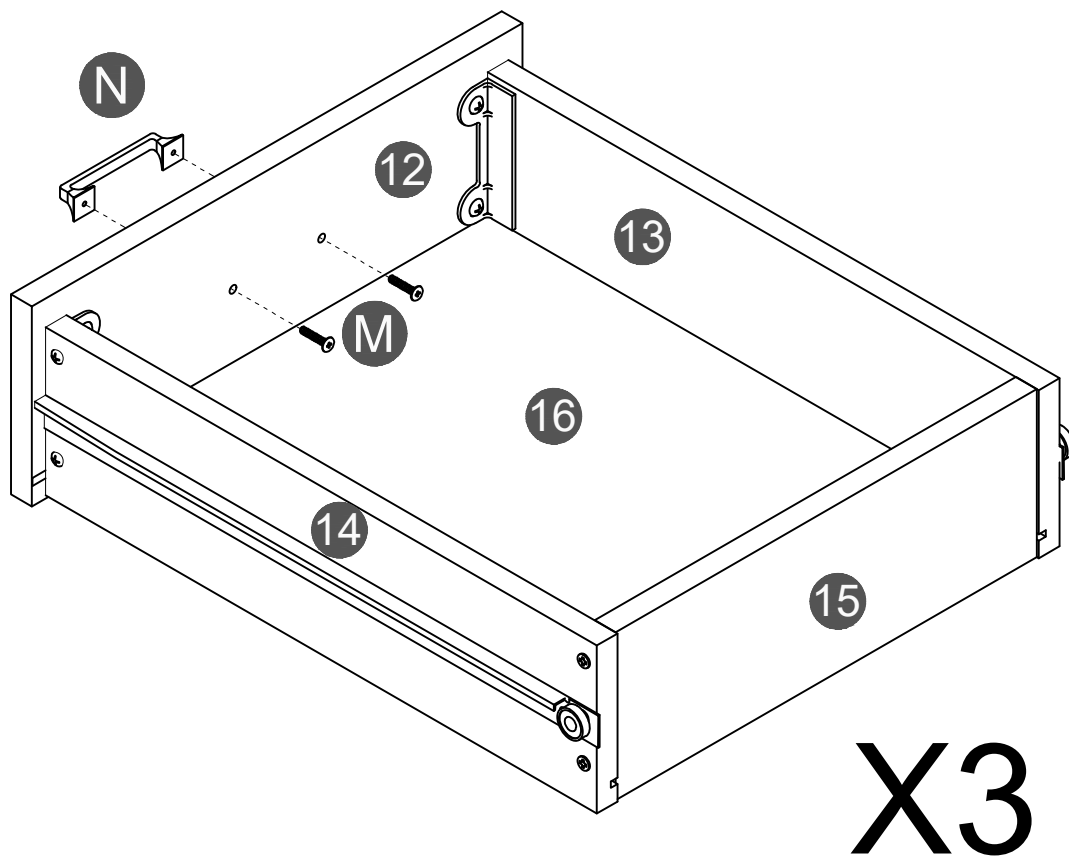
STEP 31

F x12pcs 
1-1/2" Screw



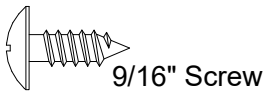
STEP 32

N x3pcs 
M x6pcs 

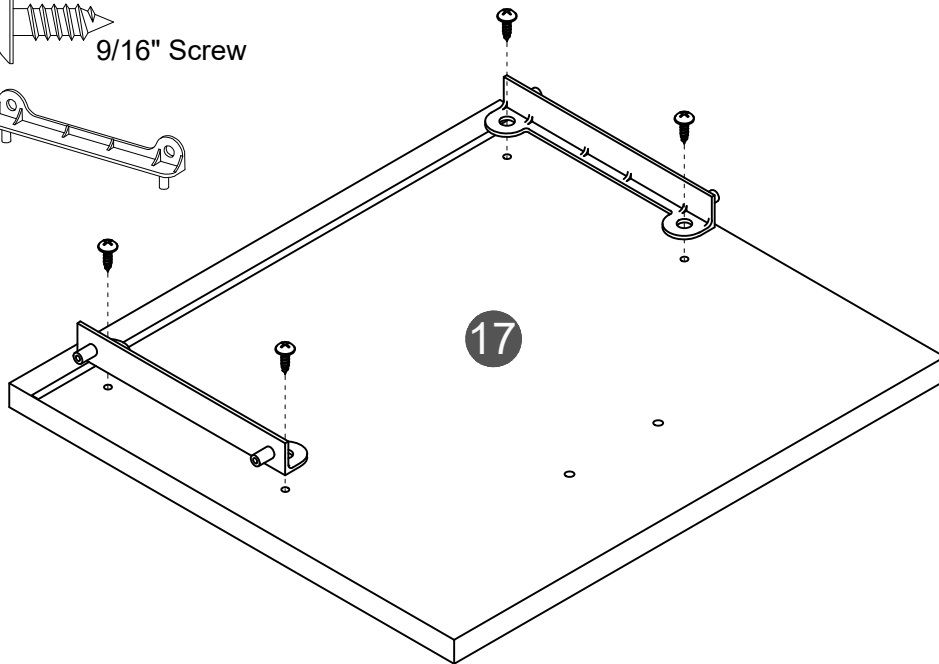
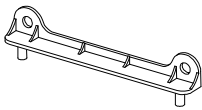


STEP 33

K x4pcs



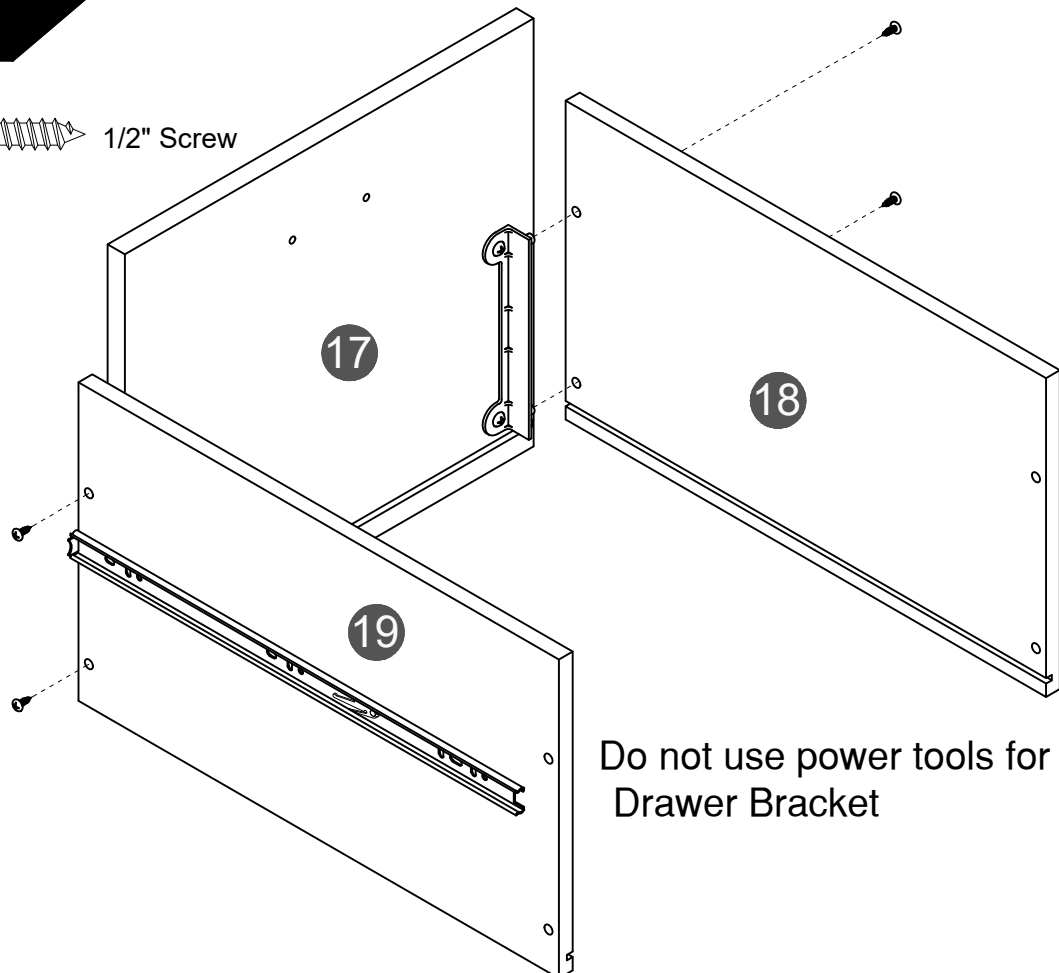
X x2pcs



Do not use power tools for Drawer Bracket

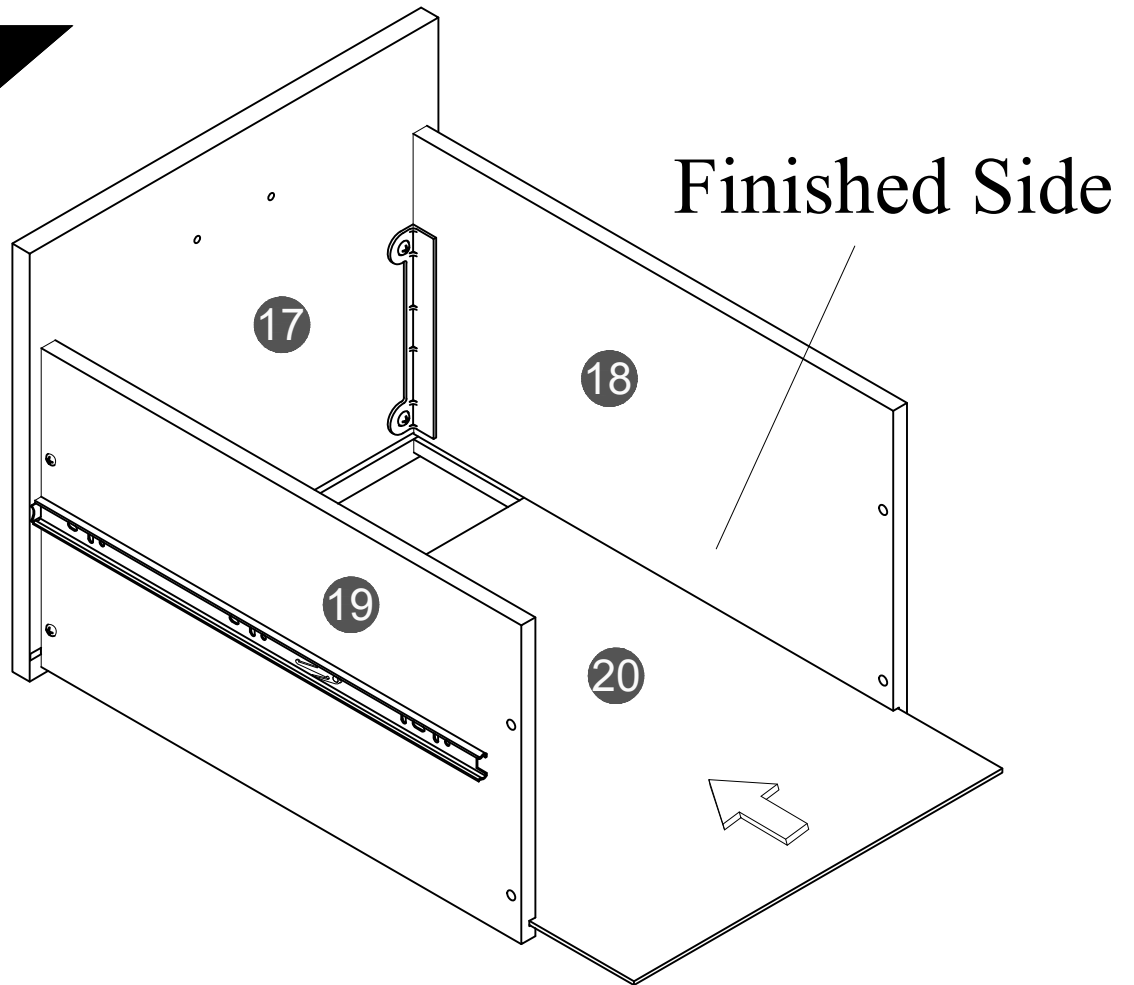
STEP 34

L x4pcs



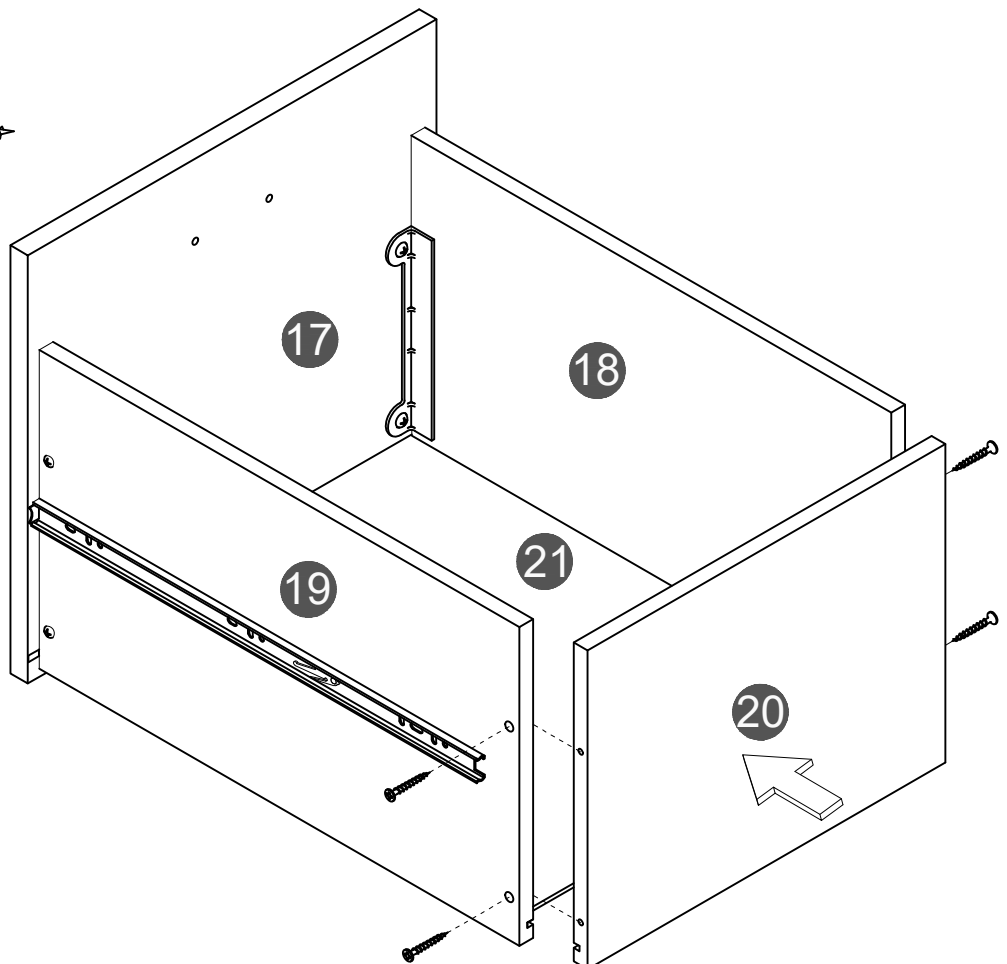
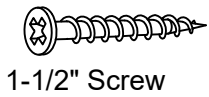
Do not use power tools for
Drawer Bracket

STEP 35



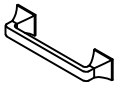
STEP 36

F x4pcs

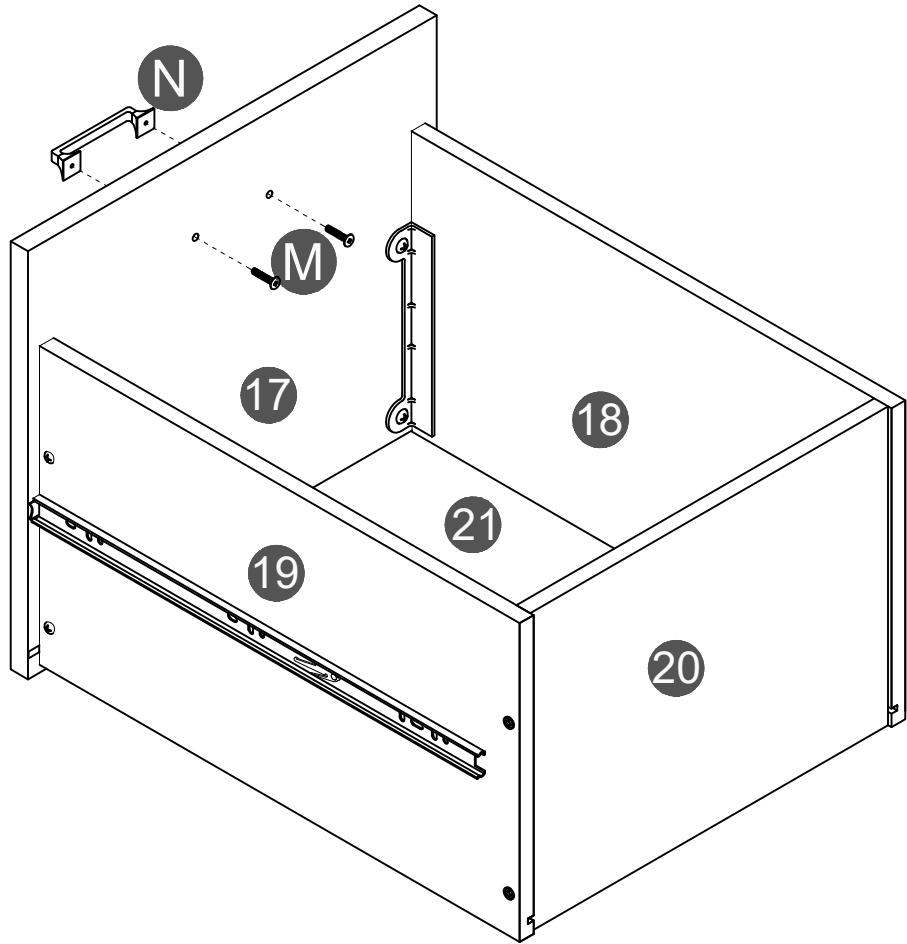
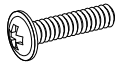


STEP 37

N x1pcs

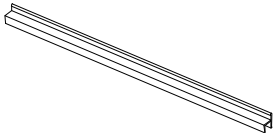


M x2pcs

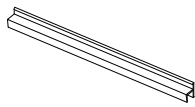


STEP 38

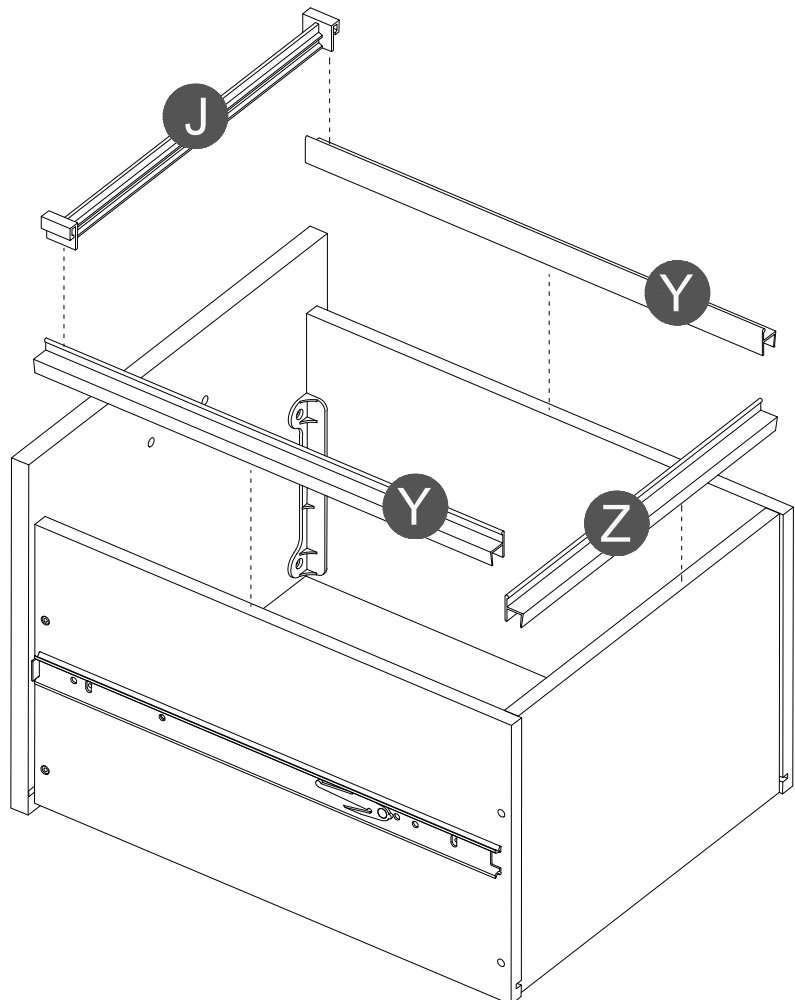
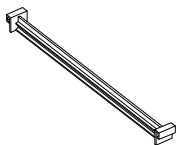
Y x2pcs



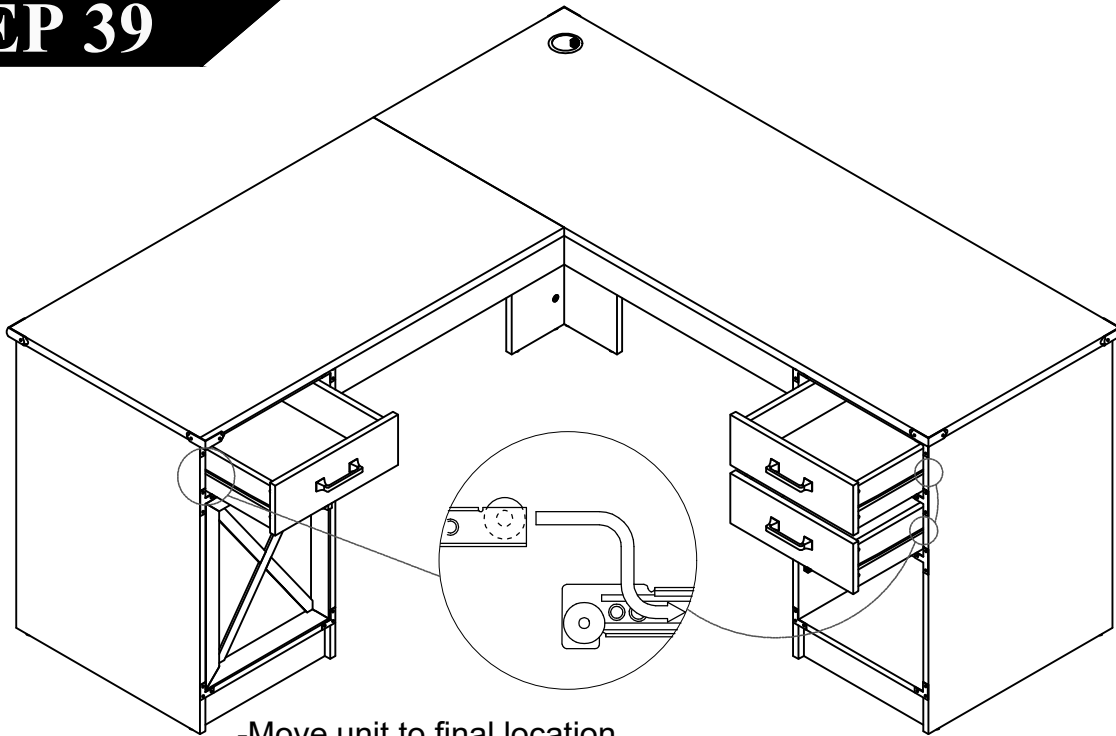
Z x1pcs



J x1pcs



STEP 39



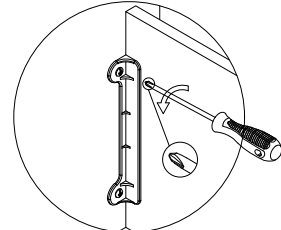
- Move unit to final location.
- Adjust drawer fronts as shown below.

Step1--Loosen screws on back of drawer front brackets as shown.

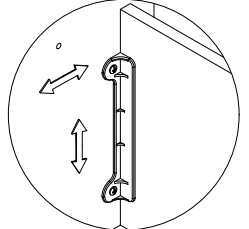
Step2--Position drawer front as required.

Step3--Tighten screws while holding drawer front in position.

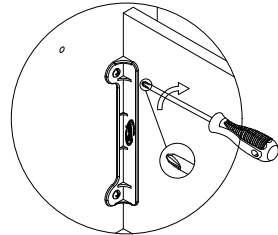
STEP 1.



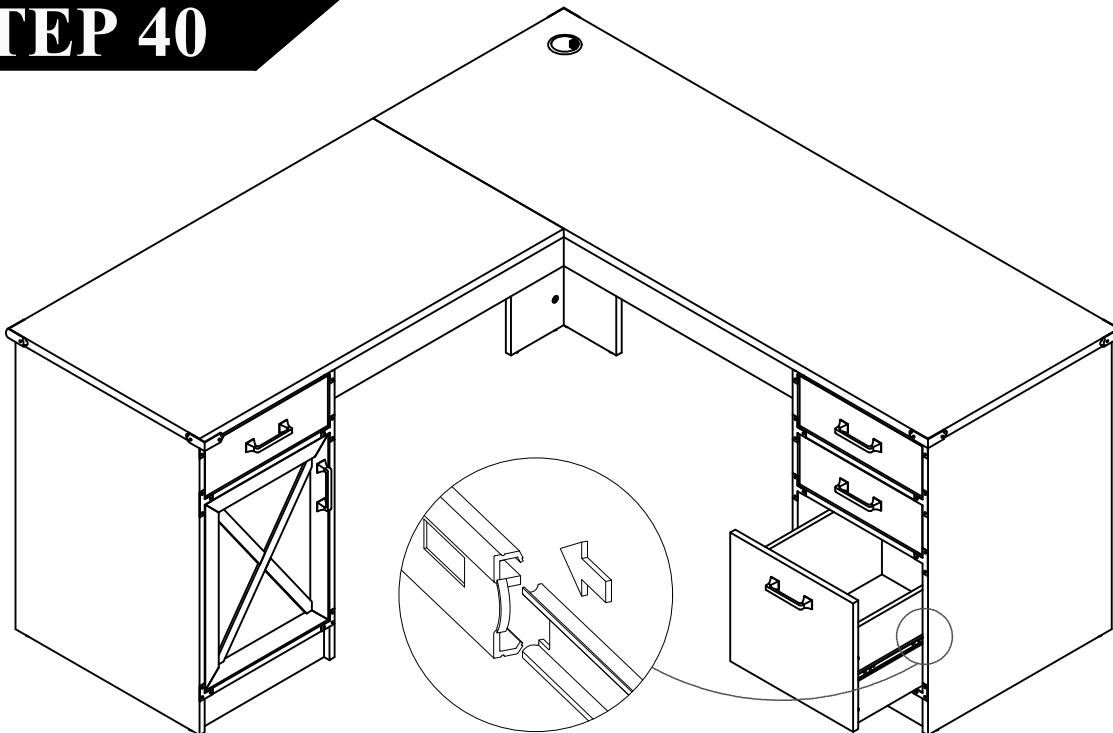
STEP 2.



STEP 3.



STEP 40



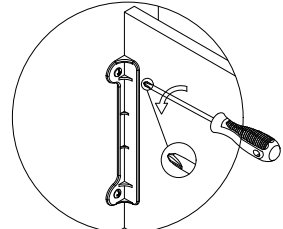
- Move unit to final location.
- Adjust drawer fronts as shown below.

Step1--Loosen screws on back of drawer front brackets as shown.

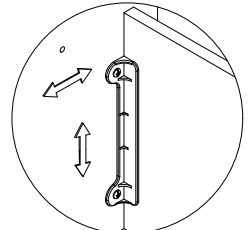
Step2--Position drawer front as required.

Step3--Tighten screws while holding drawer front in position.

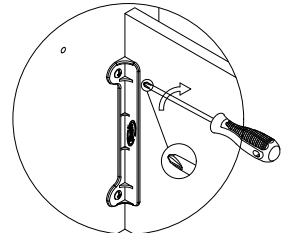
STEP 1.



STEP 2.



STEP 3.

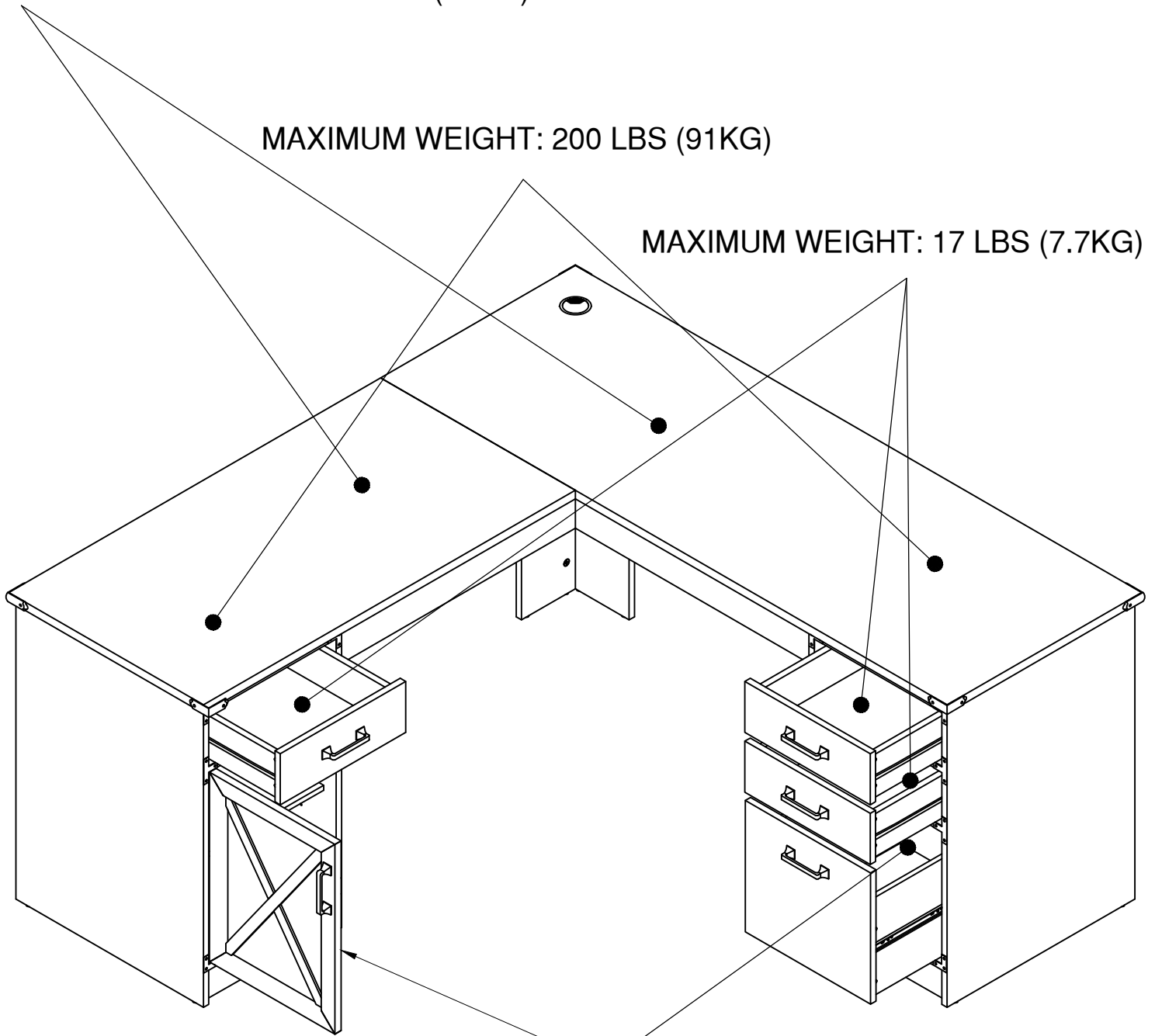


Maximum weight capacities

MAXIMUM WEIGHT: 110 LBS (50KG)

MAXIMUM WEIGHT: 200 LBS (91KG)

MAXIMUM WEIGHT: 17 LBS (7.7KG)



MAXIMUM WEIGHT: 33 LBS (15KG)