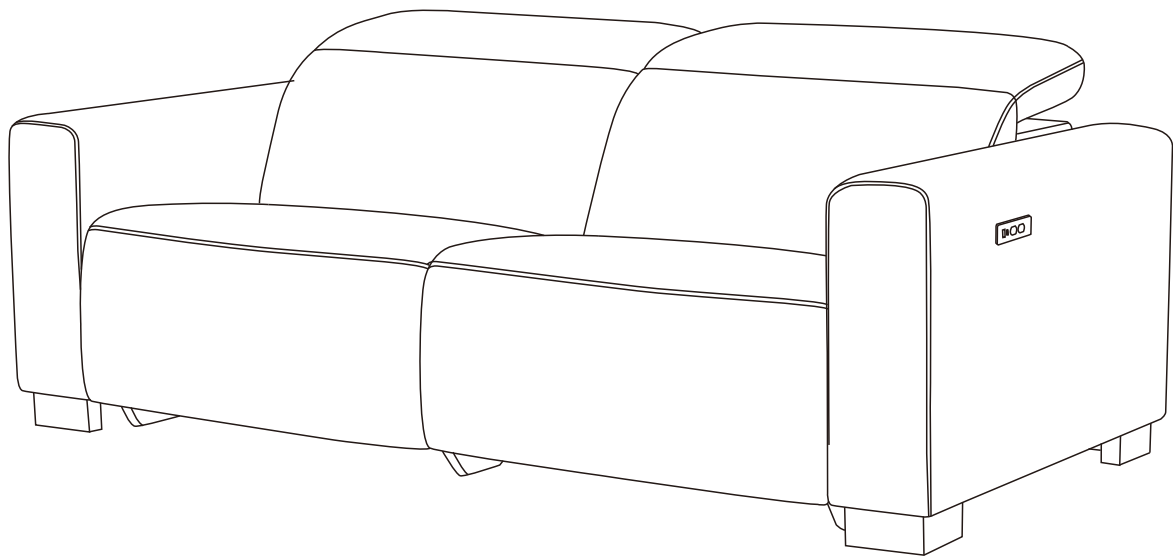


## Power Reclining Sofa KMKJ.310 Assembly Manual



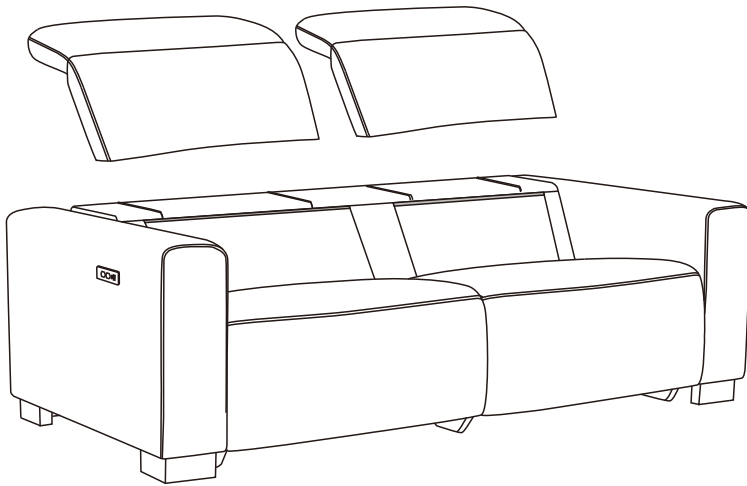
 **CAUTION**

THIS ASSEMBLY MANUAL CONTAINS IMPORTANT SAFETY INFORMATION.  
PLEASE READ AND KEEP FOR FUTURE REFERENCE.

## ASSEMBLY

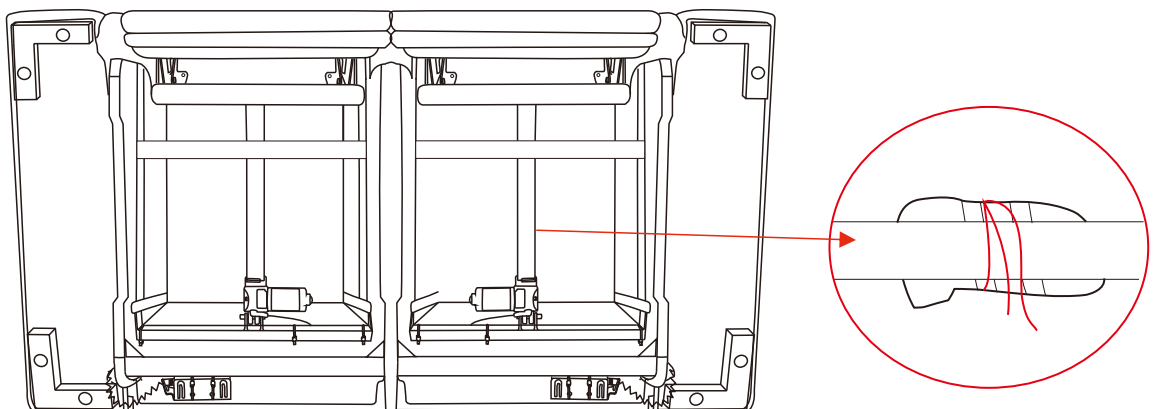
### COMPONENTS:

Sofa Back \*2  
Sofa Base \*1



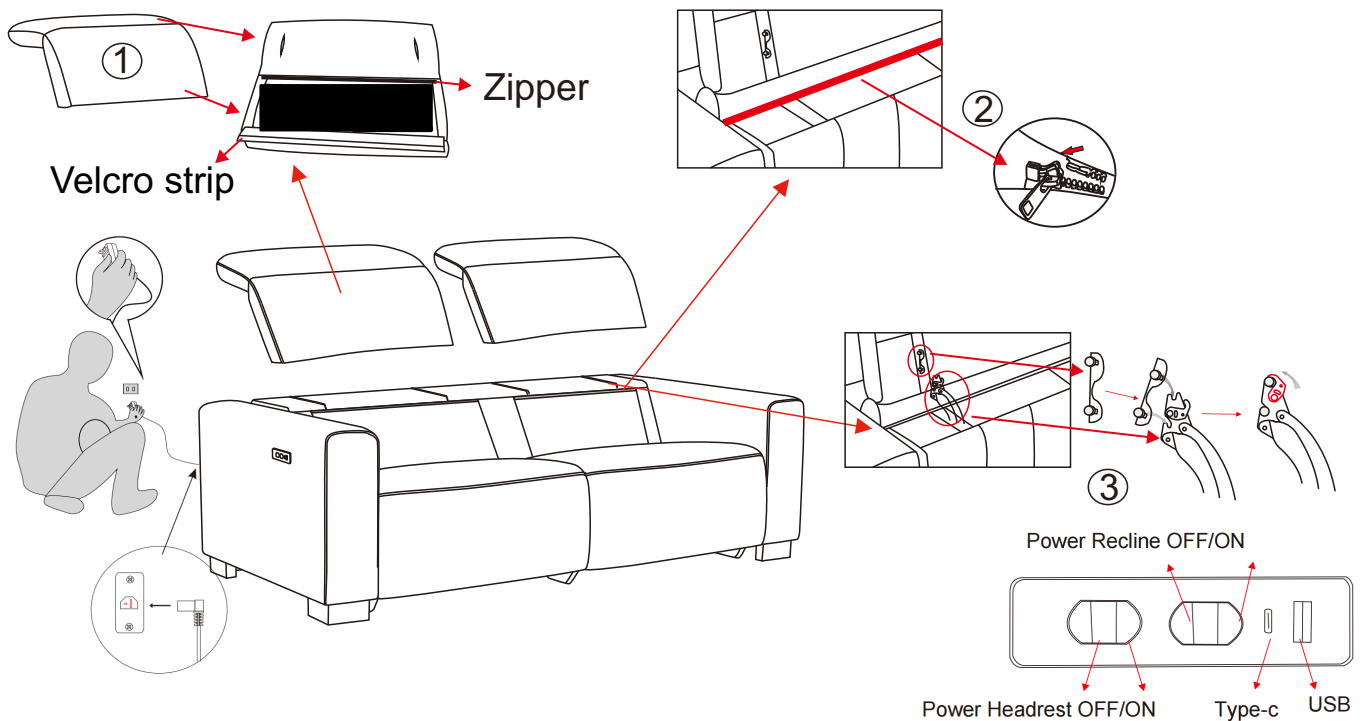
### Step 1

Take out and unwarp the cable placed at the bottom of the sofa.



## Step 2

- ① Flip over the sofa back, notice there is Velcro strip and zipper on the back side.
- ② Use the zipper to attach the sofa backrest to the base.
- ③ Connect the power and press the headrest ON button to raise the metal frame and lock to the sofa back.



## Step 3

Align the Velcro strip on the sofa back and the base to complete the assembly.

