

① Stud Bolt 5/16 x6

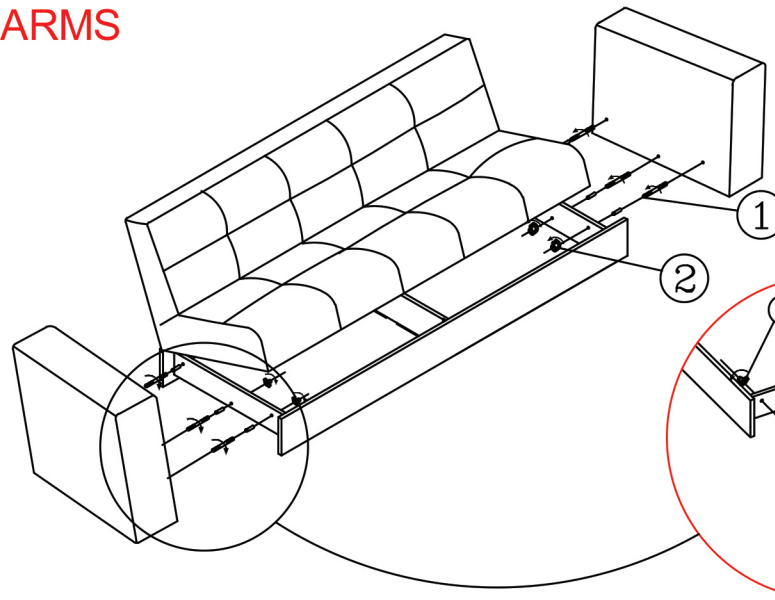
② Butterfly Nut 5/16 x6

③ SCREWS 5X70 x12

④ LEGS x4

⑤ ONLY FOR SOFA AND LOVESEAT Support Leg x1

ARMS



ASSEMBLY INSTRUCTIONS

ARM ASSEMBLY

- Keeping the furniture in seating position get access to storage space
- Connect the arms with bolts(1) and butterfly nuts(2)

LEG ASSEMBLY

- Lay the furniture on its back
- Connect the legs under the arms with screws (3)
- Use 3 screws per leg

LEGS

