

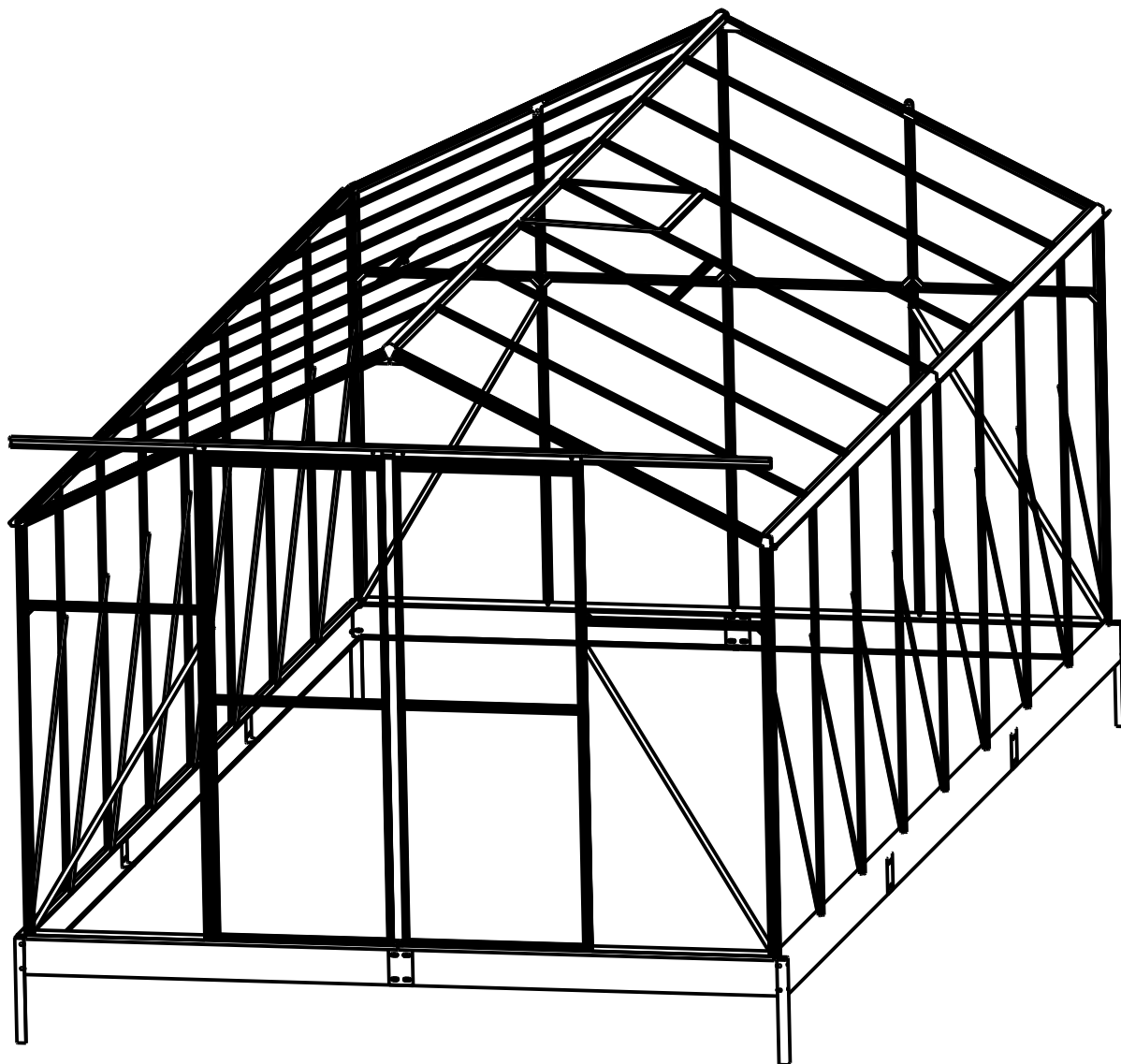
Assembly Manual

for Polycarbonate Greenhouses

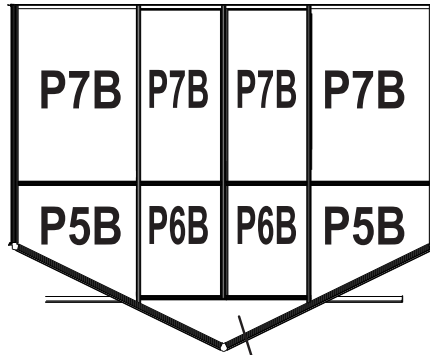
8x16 Greenhouse



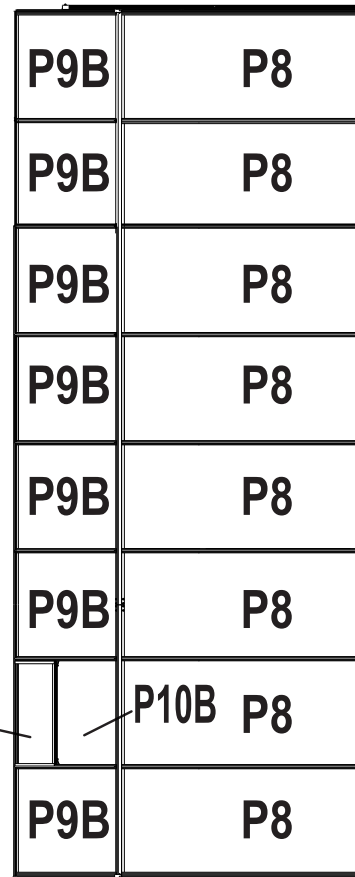
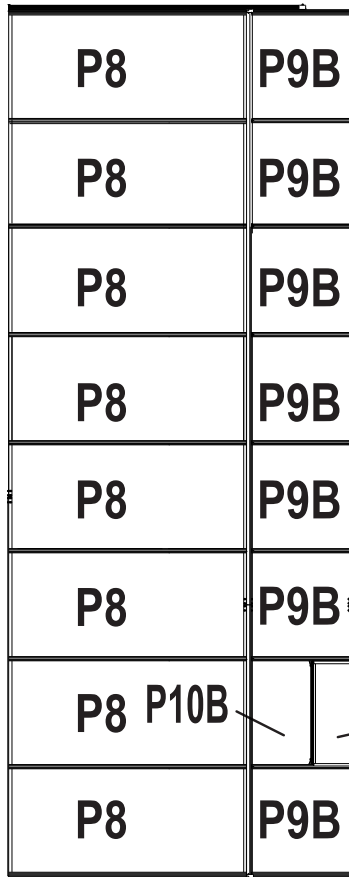
Thank you for choosing our products! If you have any questions or comments, contact us at support@acekool.vip and we'll resolve your issue ASAP!



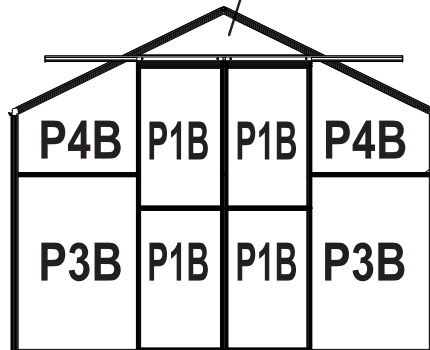
Rear



P12B

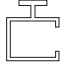







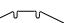
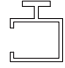




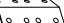




















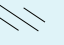













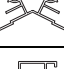
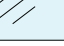

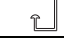



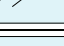
















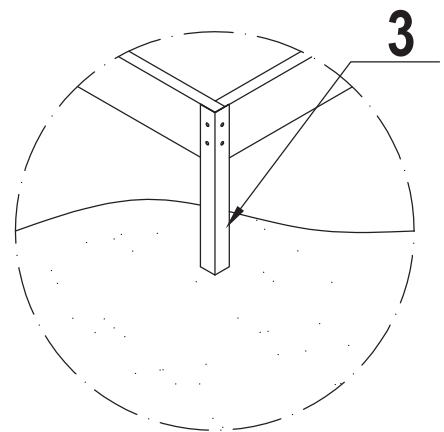
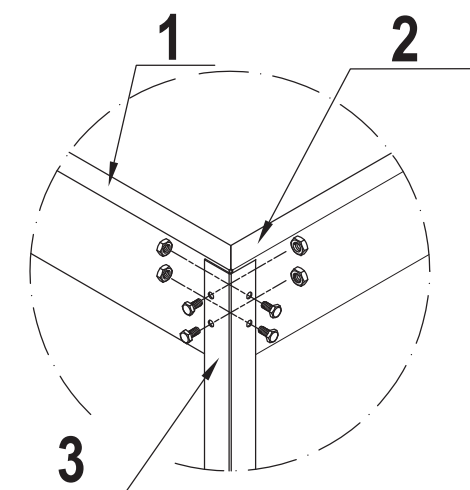
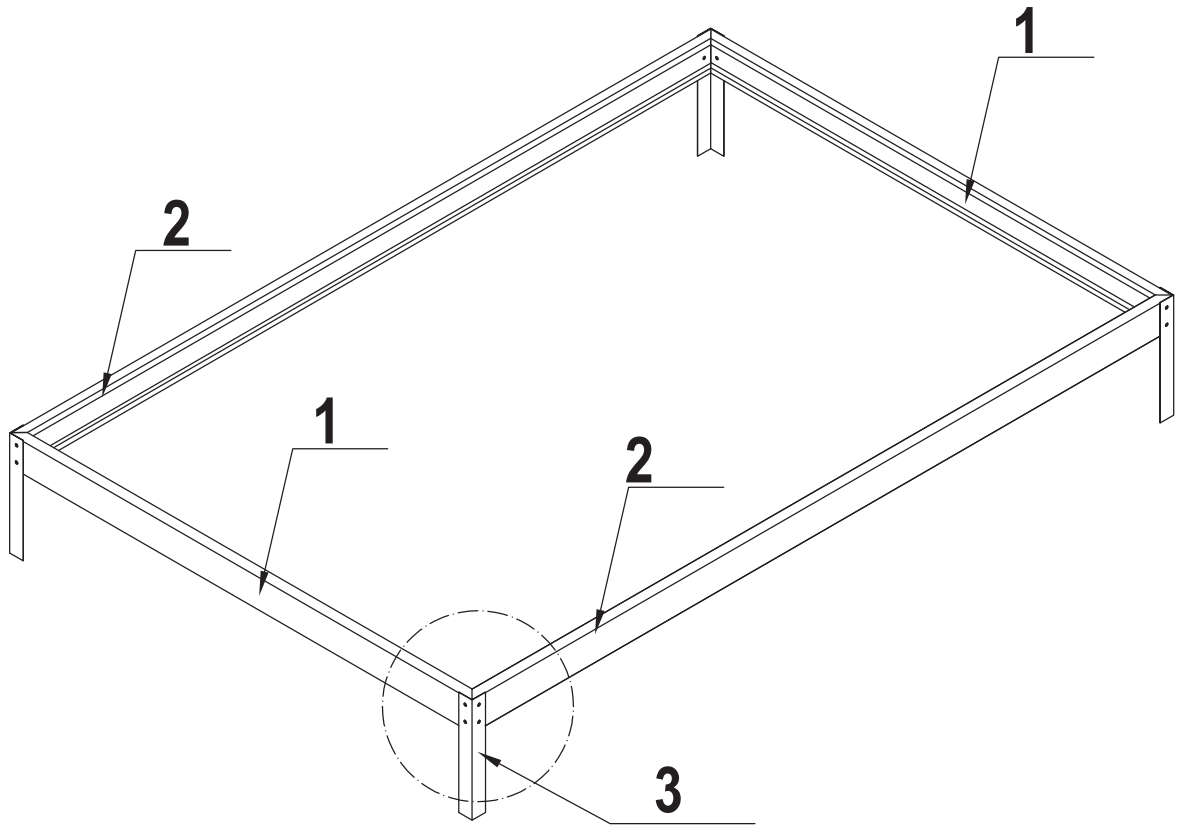
P11B


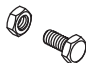


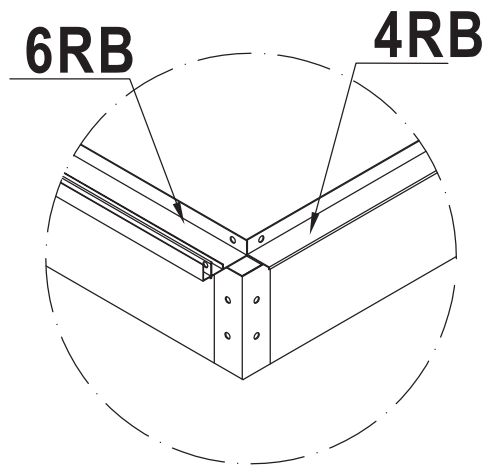
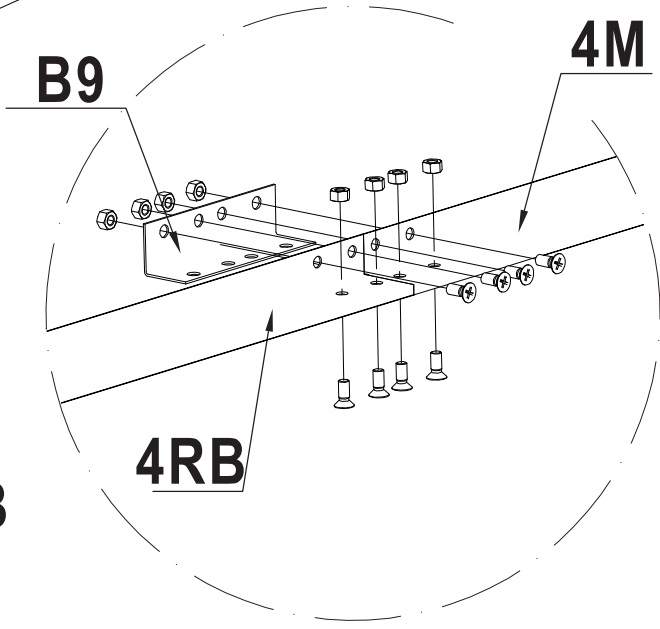
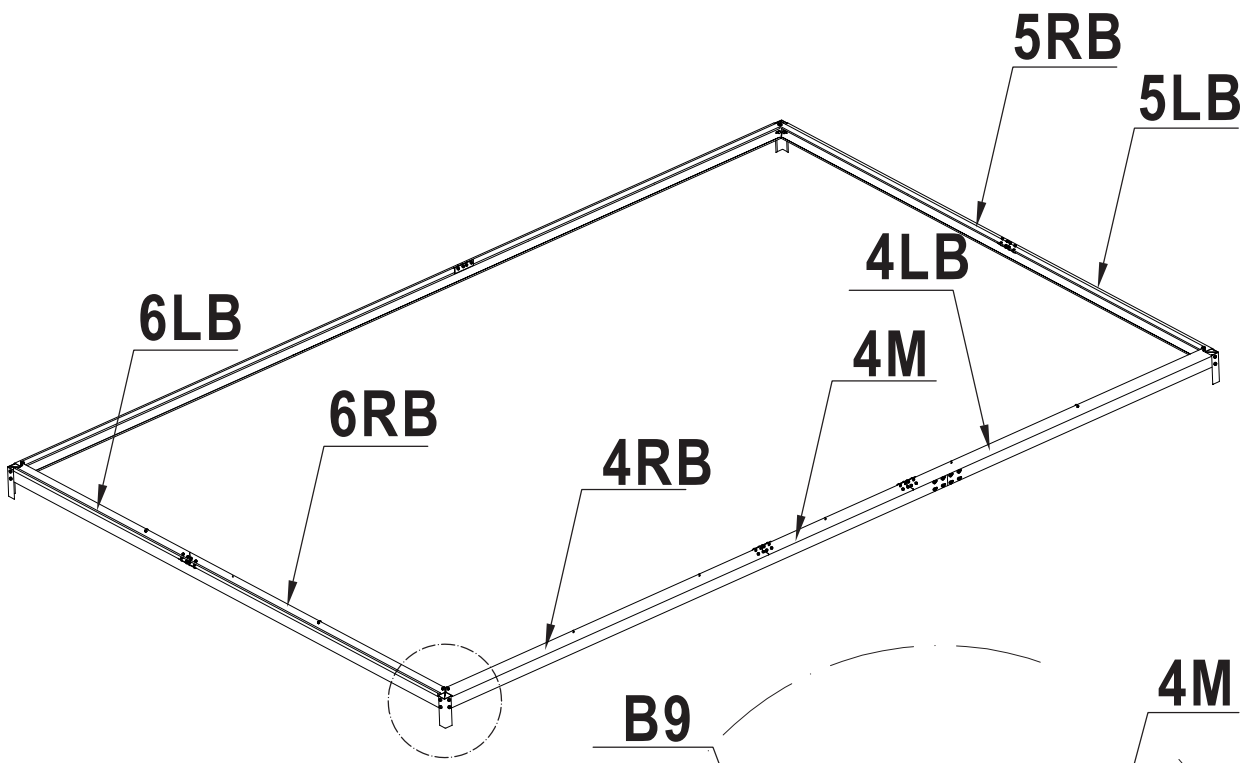
Front









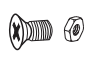
PARTS LIST

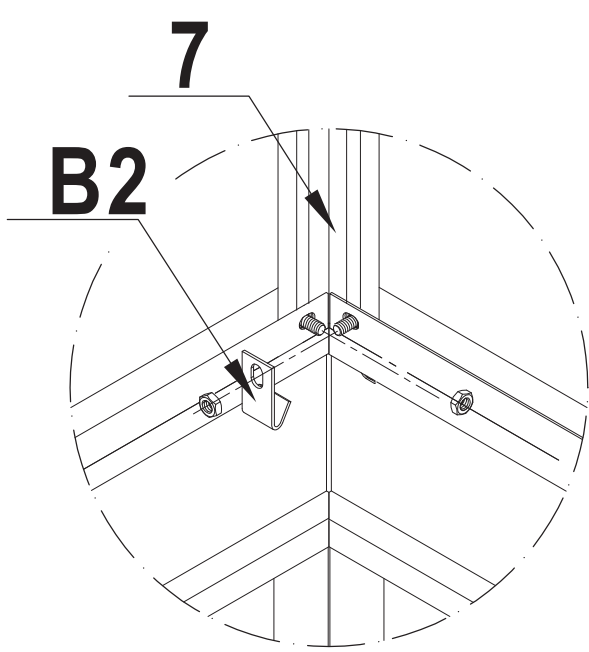
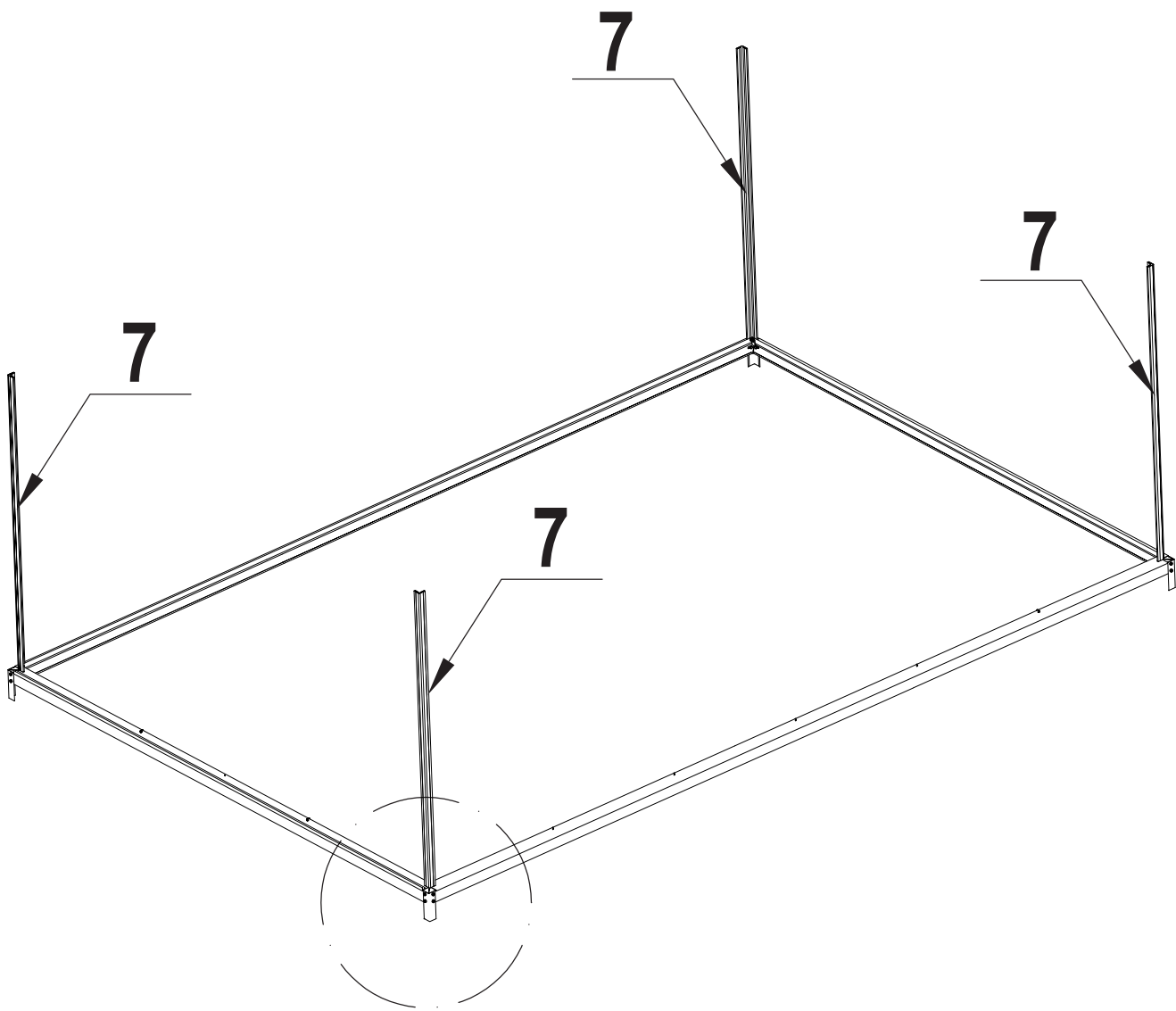
Part No.	Part	Qty.	Part No.	Part	Qty.	Part No.	Part	Qty.
D1B		2	4LB+ 4M+4RB		2+2+2	B4		2
D2B		2	5LB+5RB		1+1	B5		4
D3B		4	6LB+6RB		1+1	B6		2
D4B		2	7		4	B7		2
F1		16	8LB+ 8M+8RB		2+2+2	B8		2
W1		2	9B		2	B9		6
W2		4	10LB		1	B10		4
W3		2	10RB		1	B15		8
W4		2	10M		1	F4		251
S8		2	12		2	F5		96
S9		2	12B		4	F6		2
F2		8	12BM		4	P1B		4
F8		2	12M		1	P2B		2
F9		2	13B		1	P3B		4
S5		2	16B1		2	P4B		2
S6L		2	16B2		2	P5B		2
S6R		2	17L+ 17M+17R		1+1+1	P6B		2
S7		2	18B		1	P7B		4
1		4	19		14	P8		16
2+2M		4+2	20B		14	P9B		14
3		4	22		20	P10B		2
F3		64	25+25M		4+2	P11B		1
B2		23	26		21	P12B		1
B11		6	B3		12			


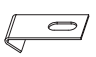



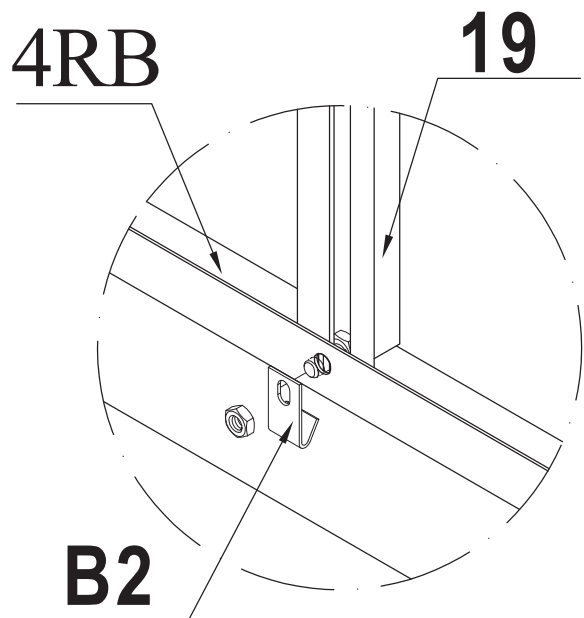
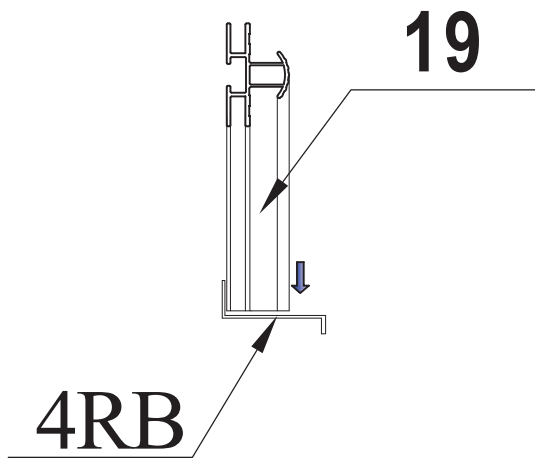
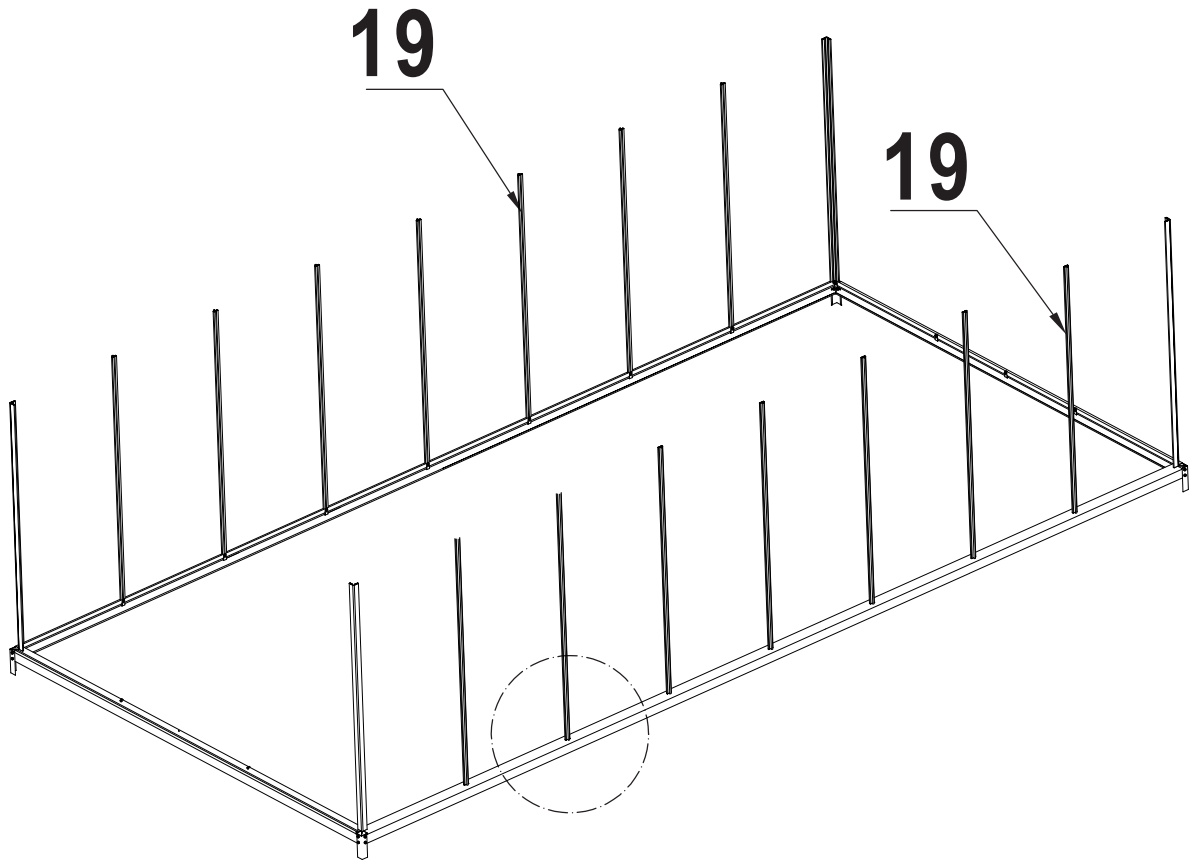
	3	4
	F3	16



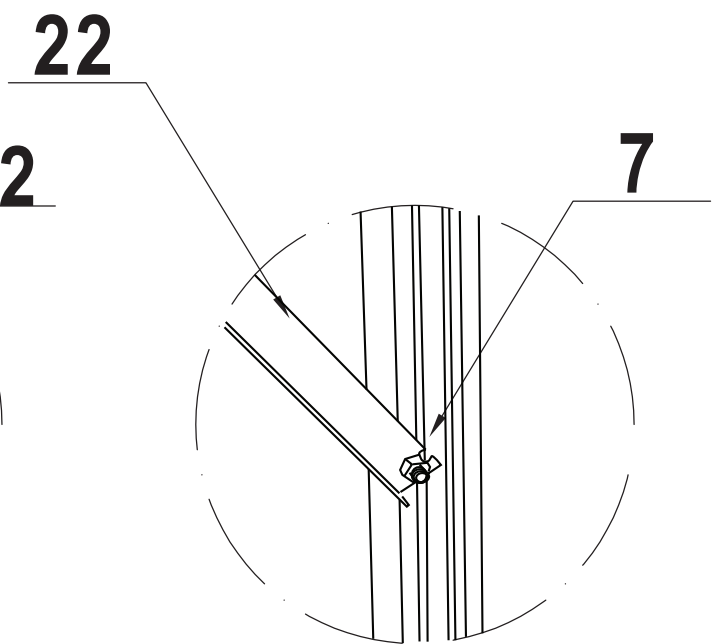
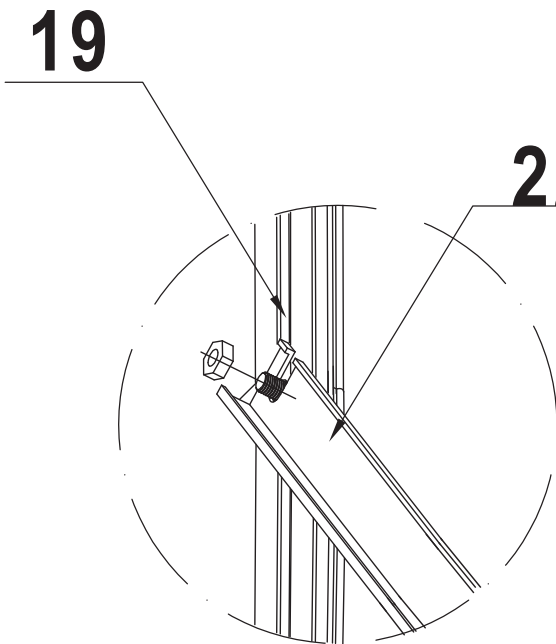
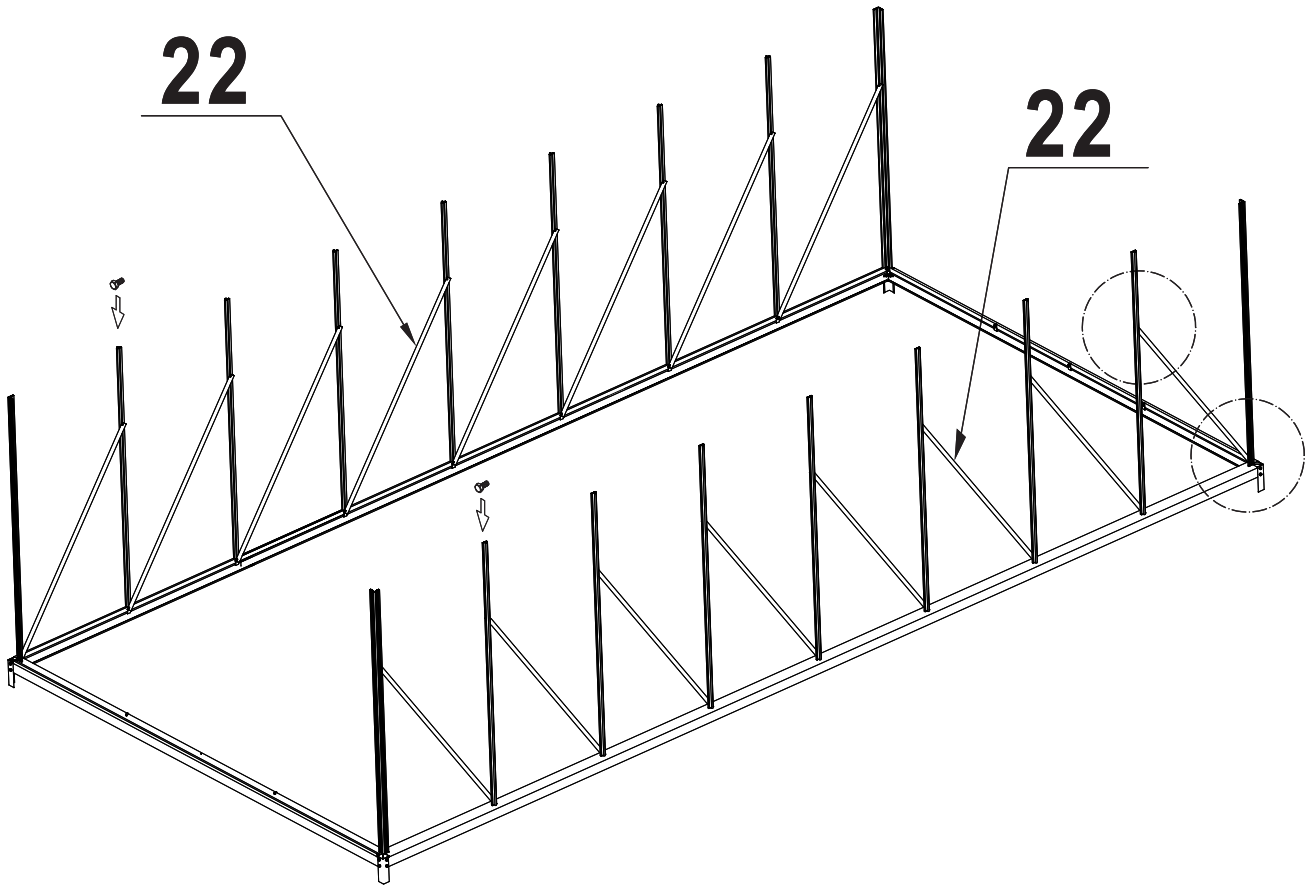
				5LB	1
	B9	6		5RB	1
	4M	2		6LB	1
	4RB	2		6RB	1
	4LB	2		F5	48



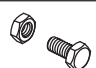


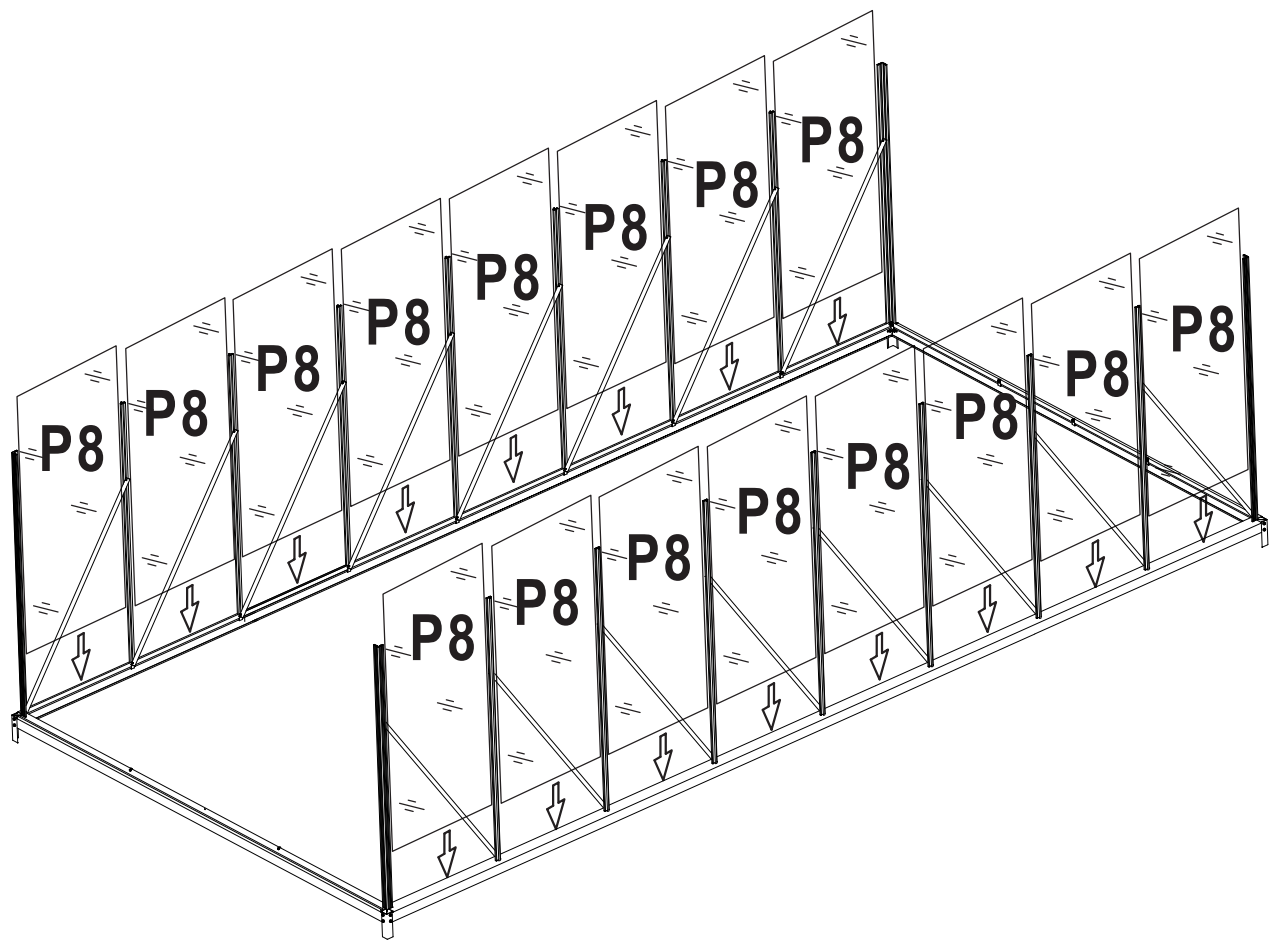
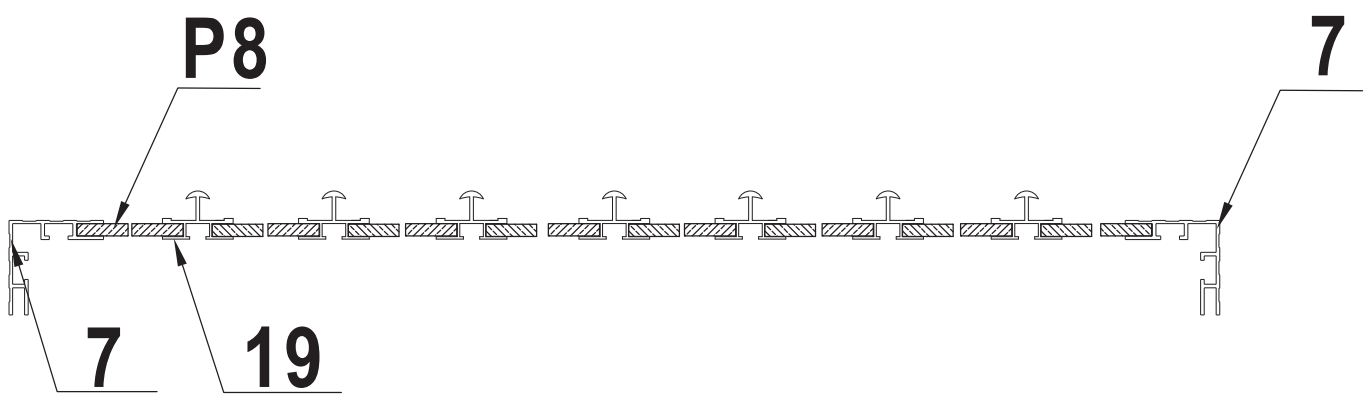
	7	4
	B2	4
	F4	8



	19	14
	B2	14
	F4	14

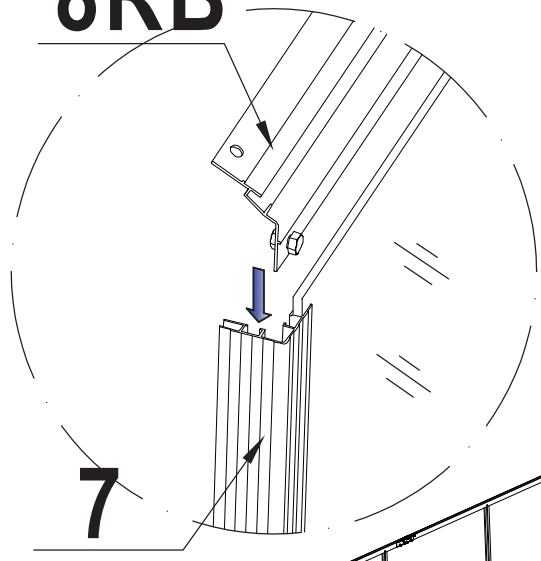


	22	16
	F4	14
	F4	16



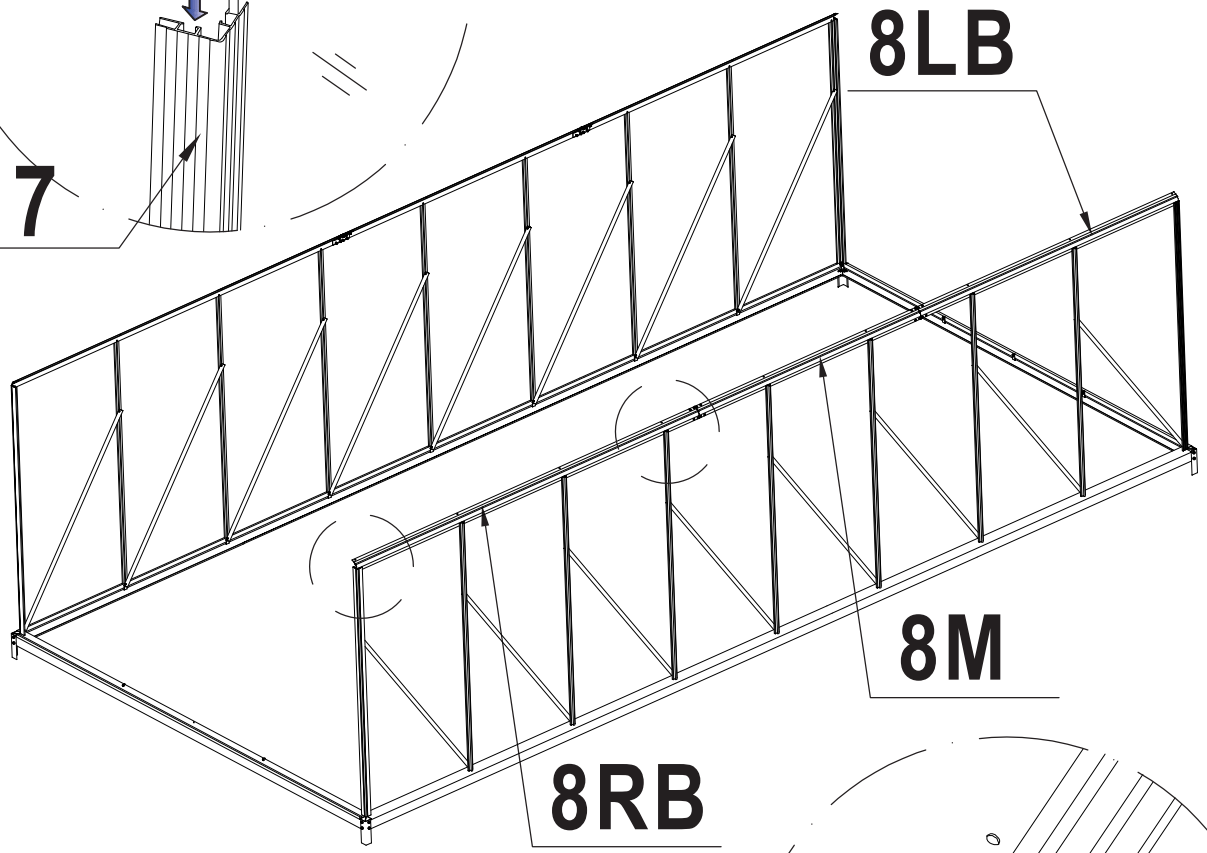
	P8	16
---	----	----

8RB



7

8LB

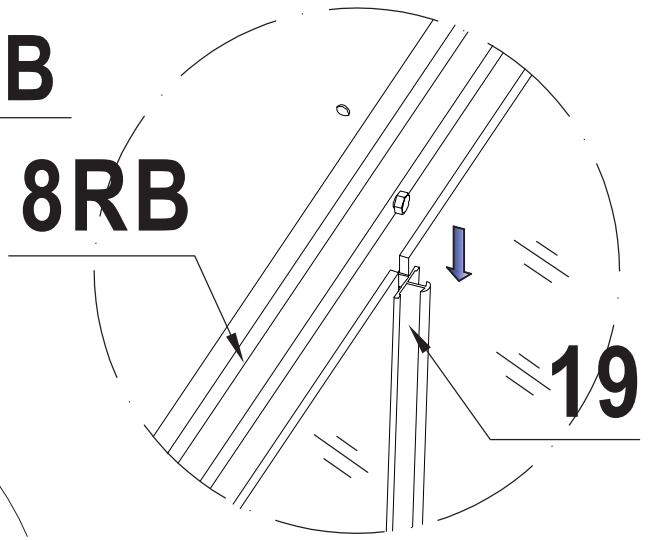


8M

8RB

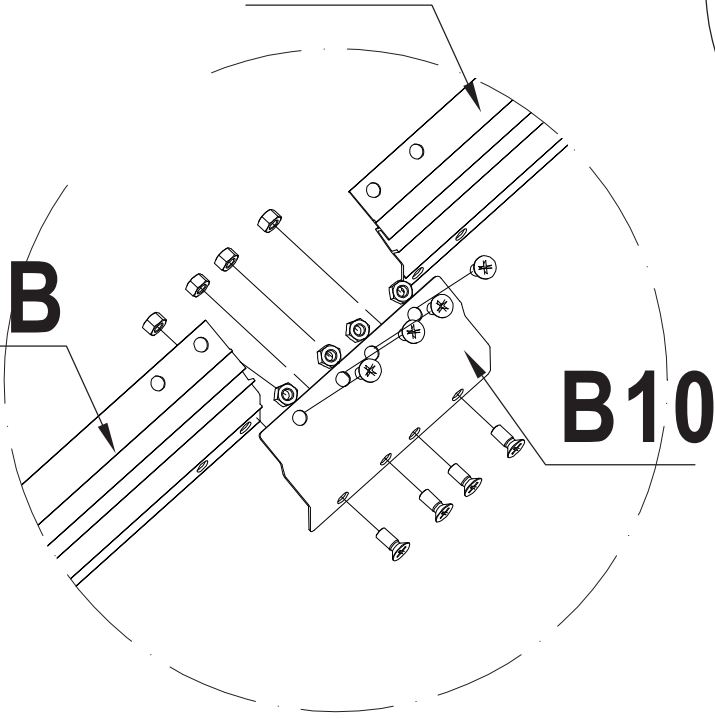
8RB

8M



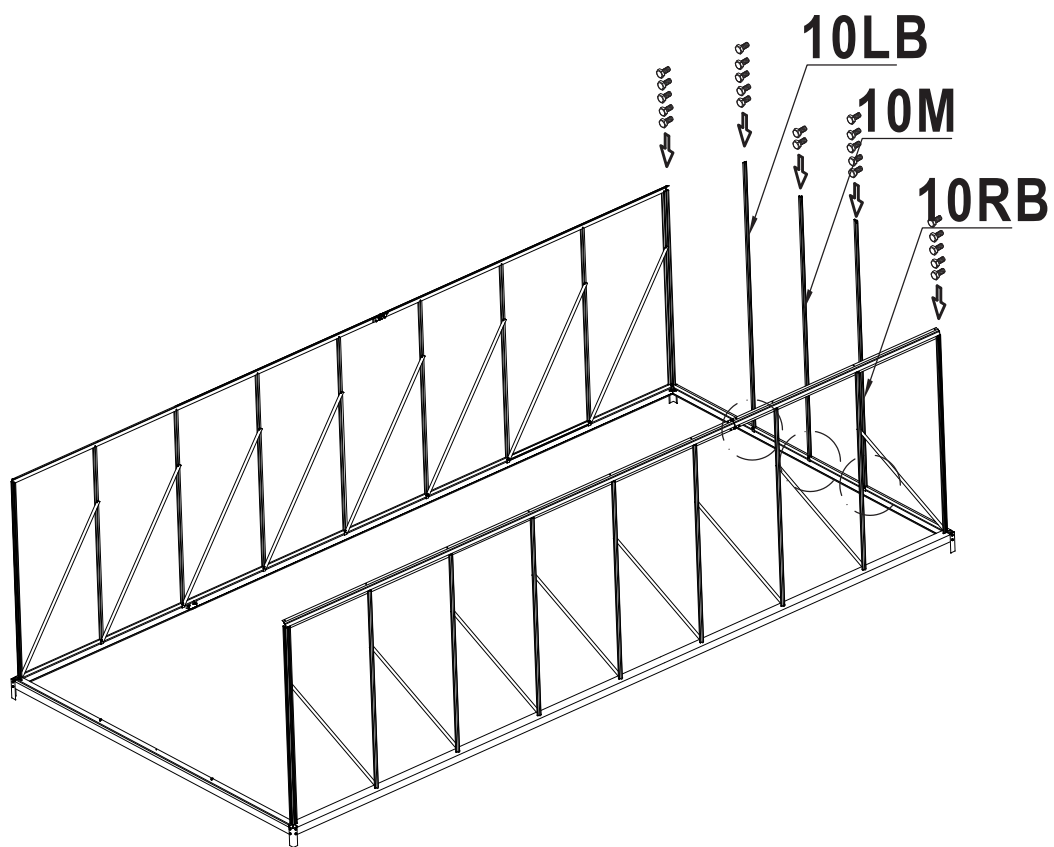
19

8RB



B10

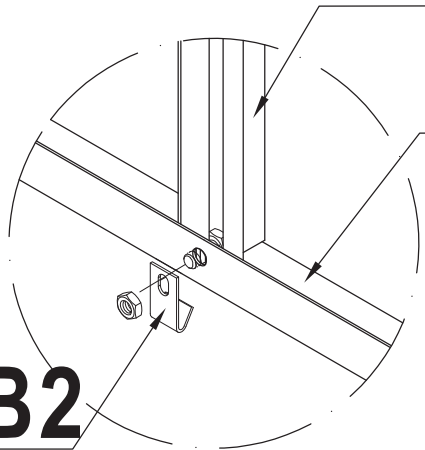
	B10	4
	F5	32
	8LB	2
	8M	2
	8RB	2
	F4	18

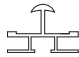
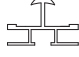
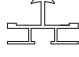
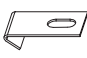




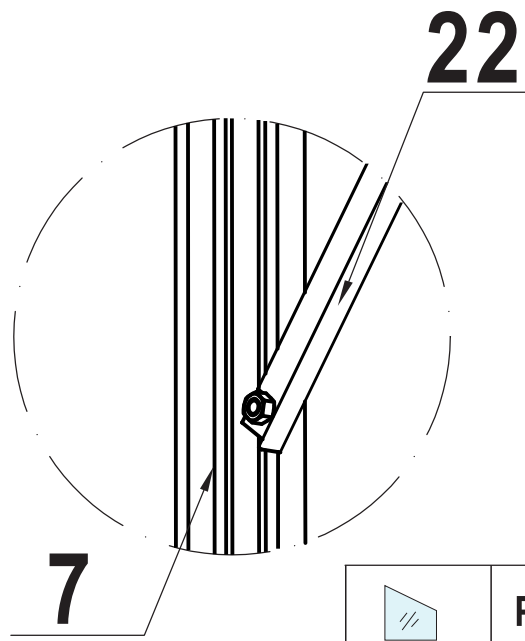
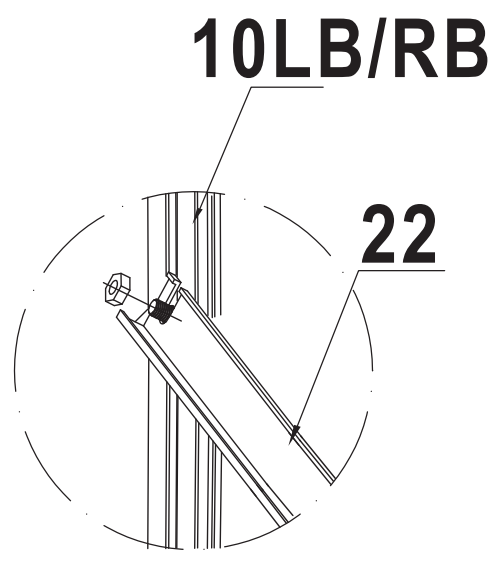
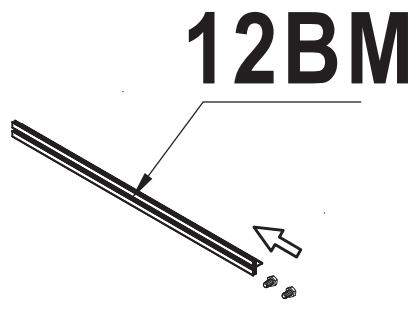
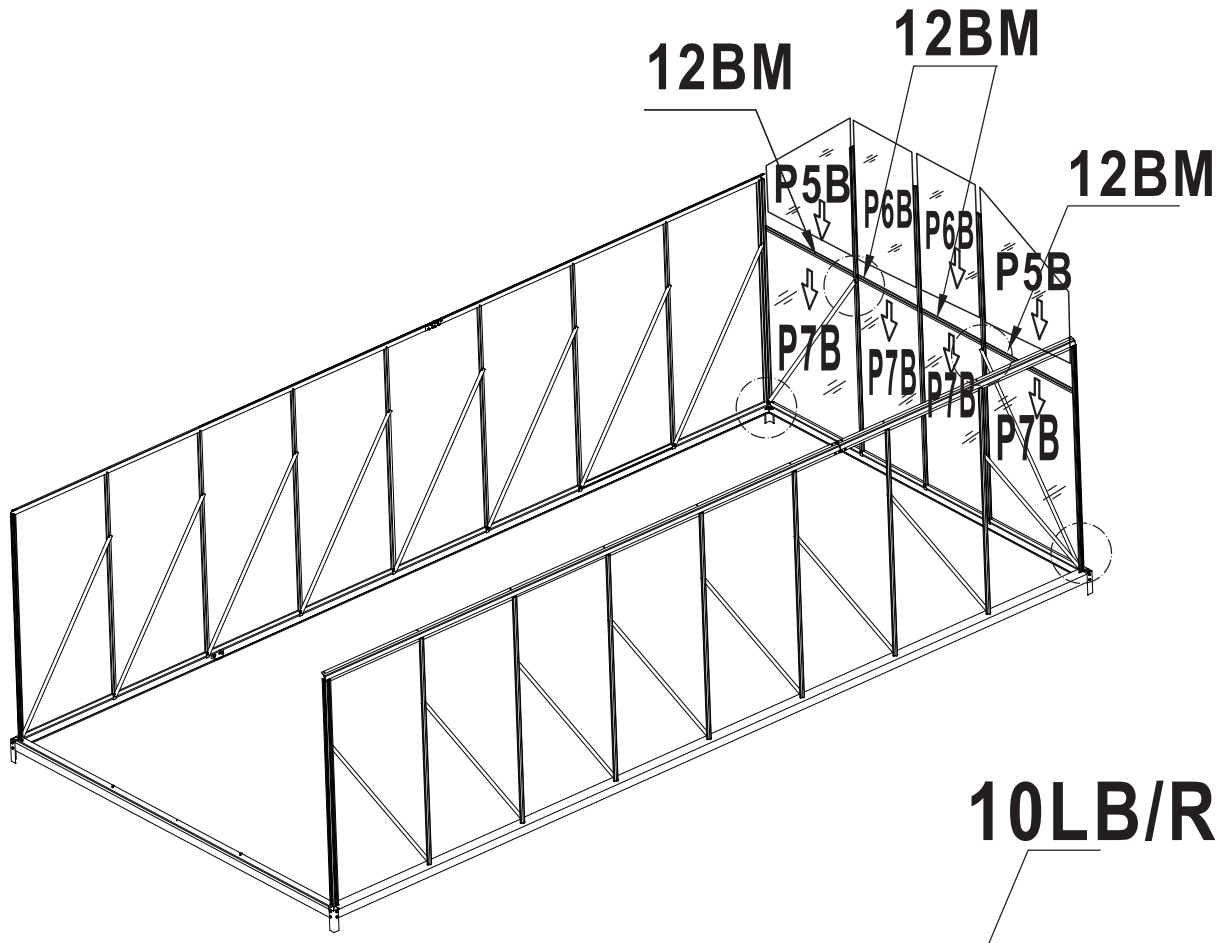
10LB/M/RB








5LB/RB

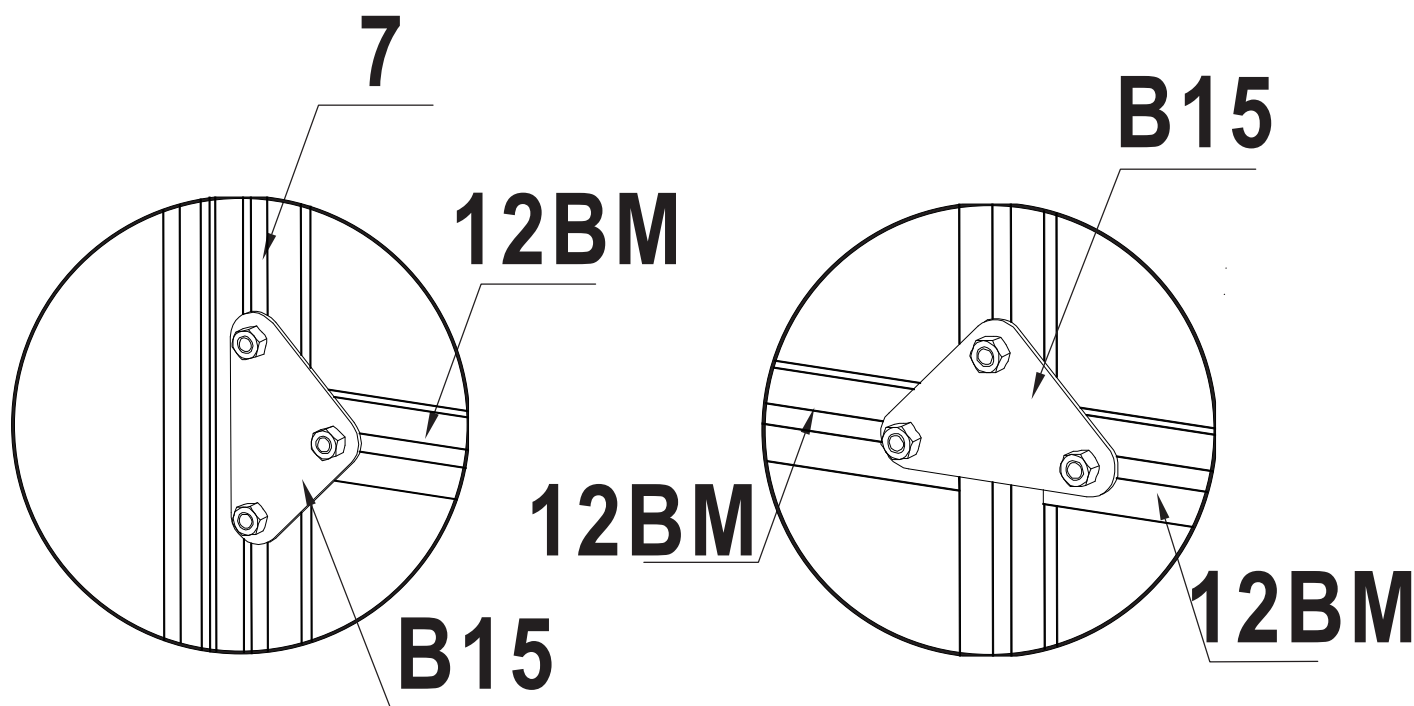
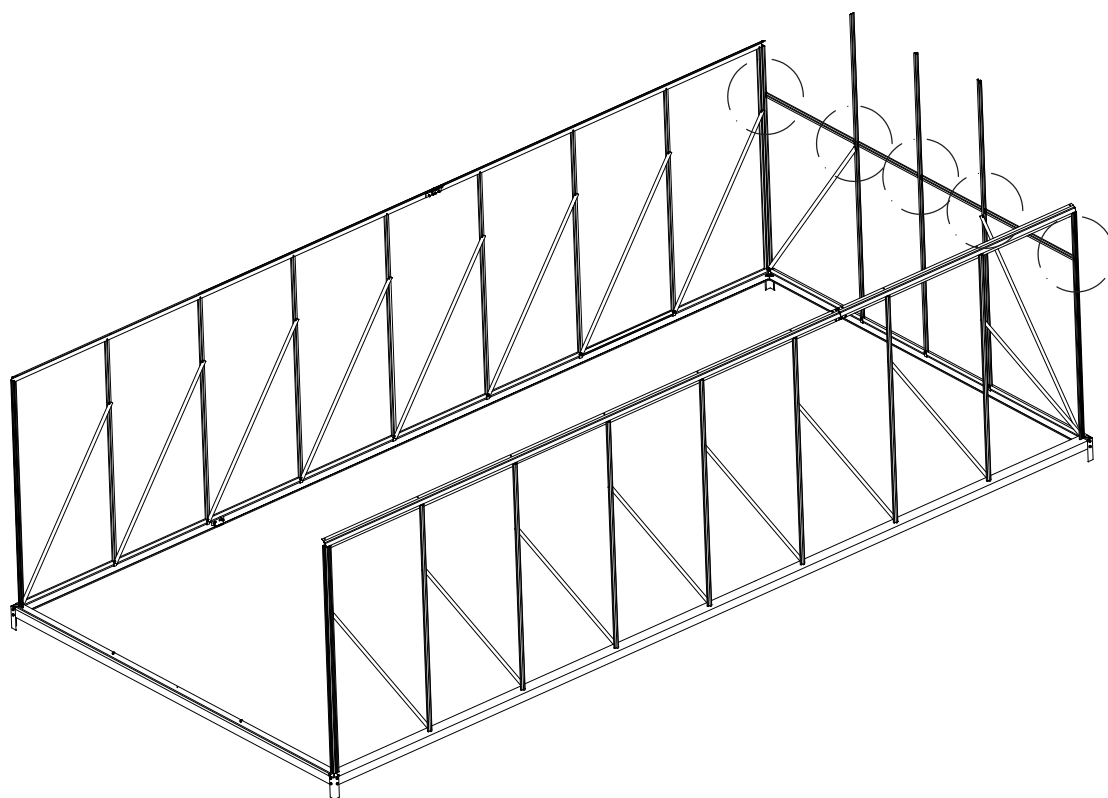
B2

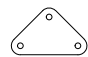



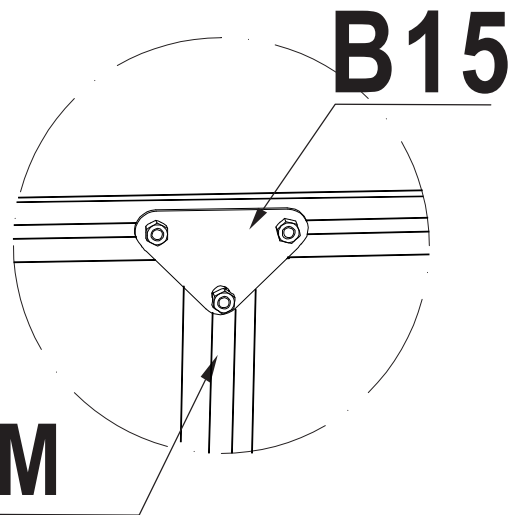
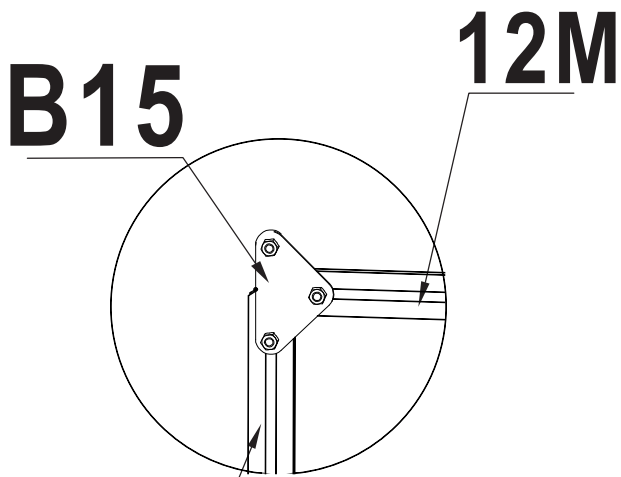
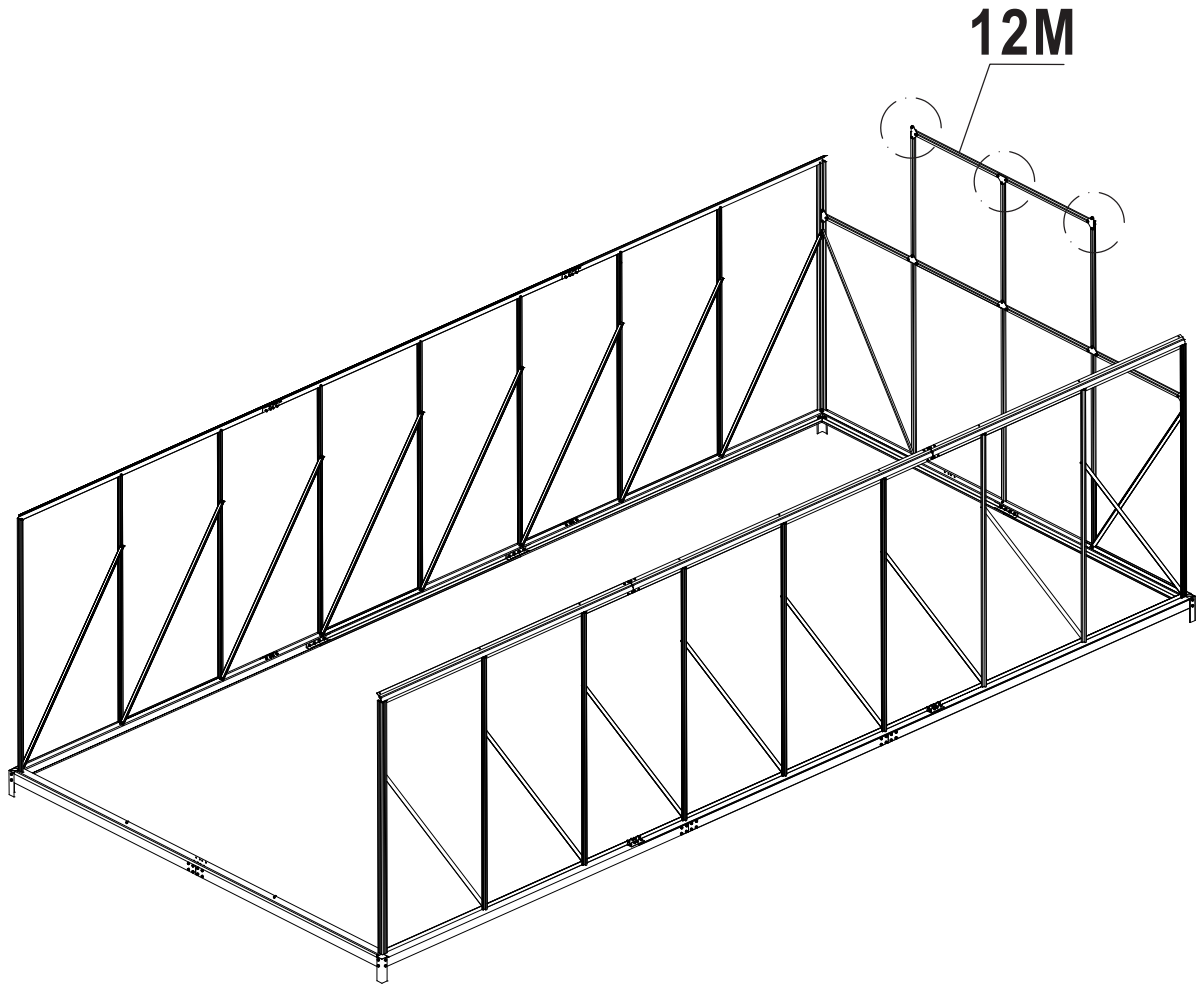
	10M	1
	10LB	1
	10RB	1
	B2	3
	F4	22
	F4	3



	P7B	4		F4	8
	12BM	4		F4	4
	22	2			
	P5B	2			
	P6B	2			

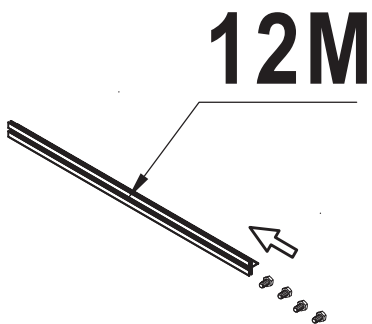


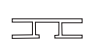
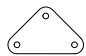
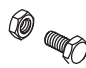

	B15	5
	F4	15

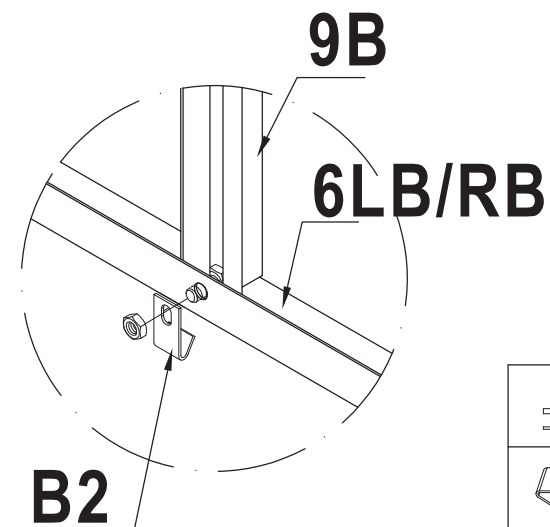
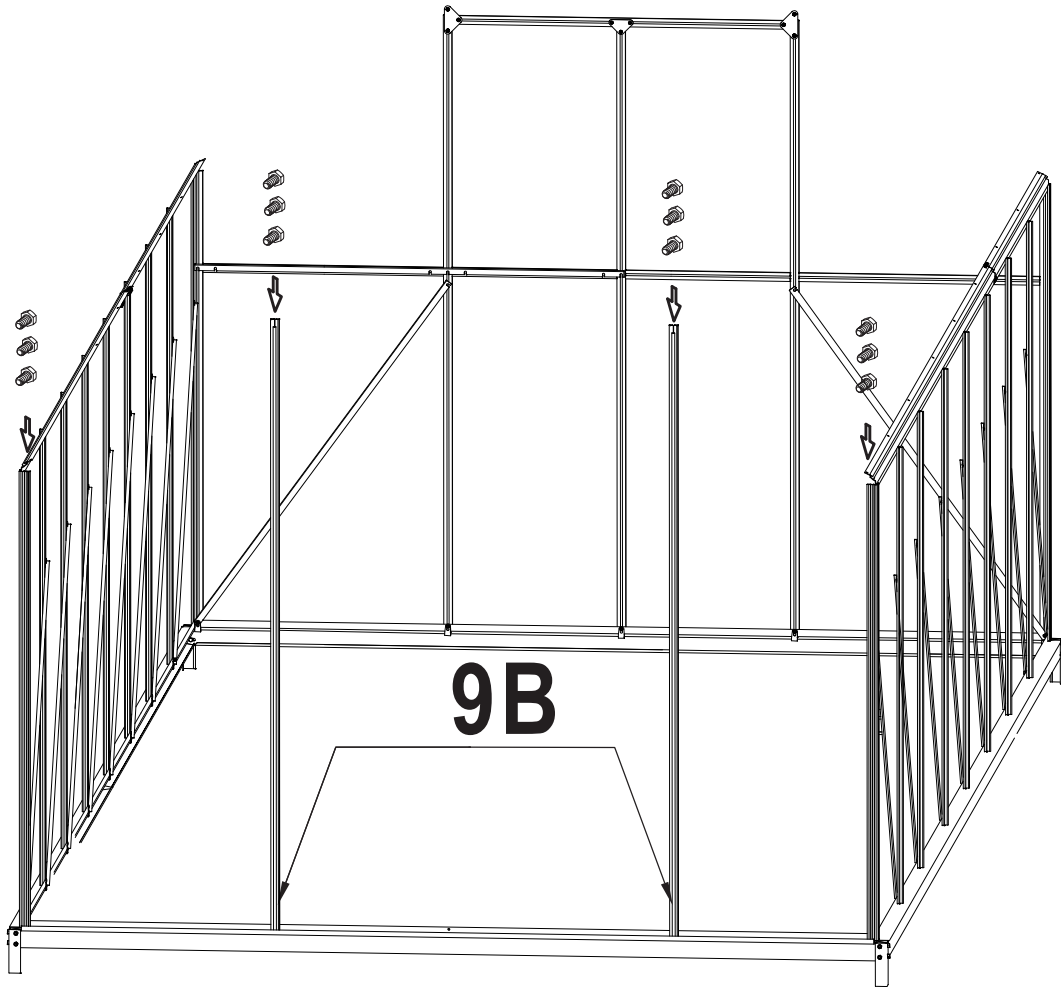


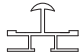
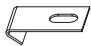


10LB/RB

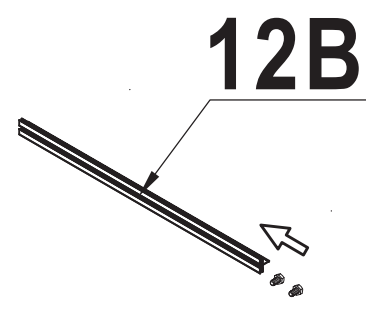
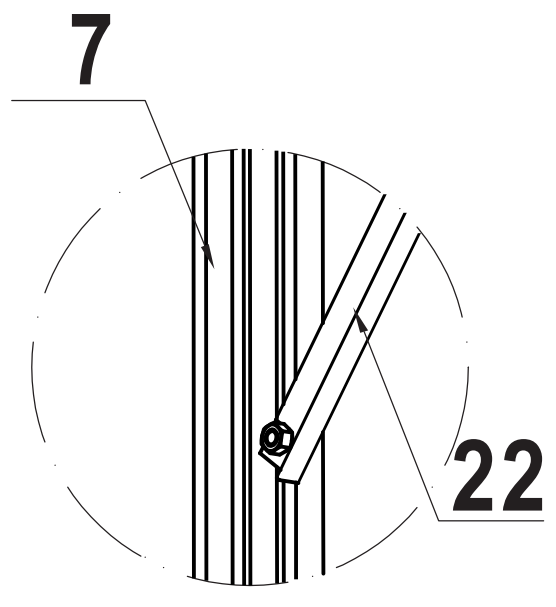
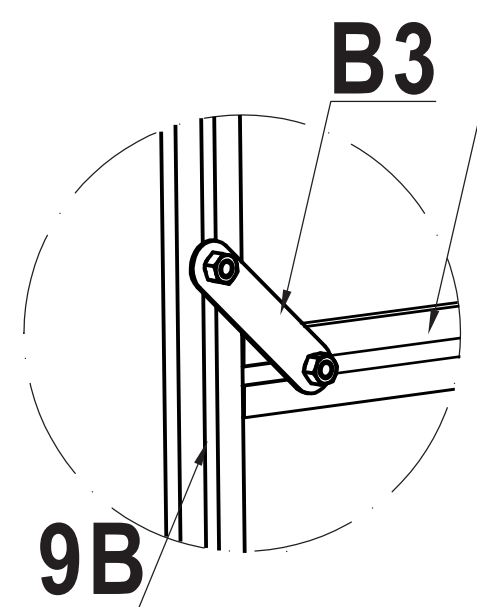
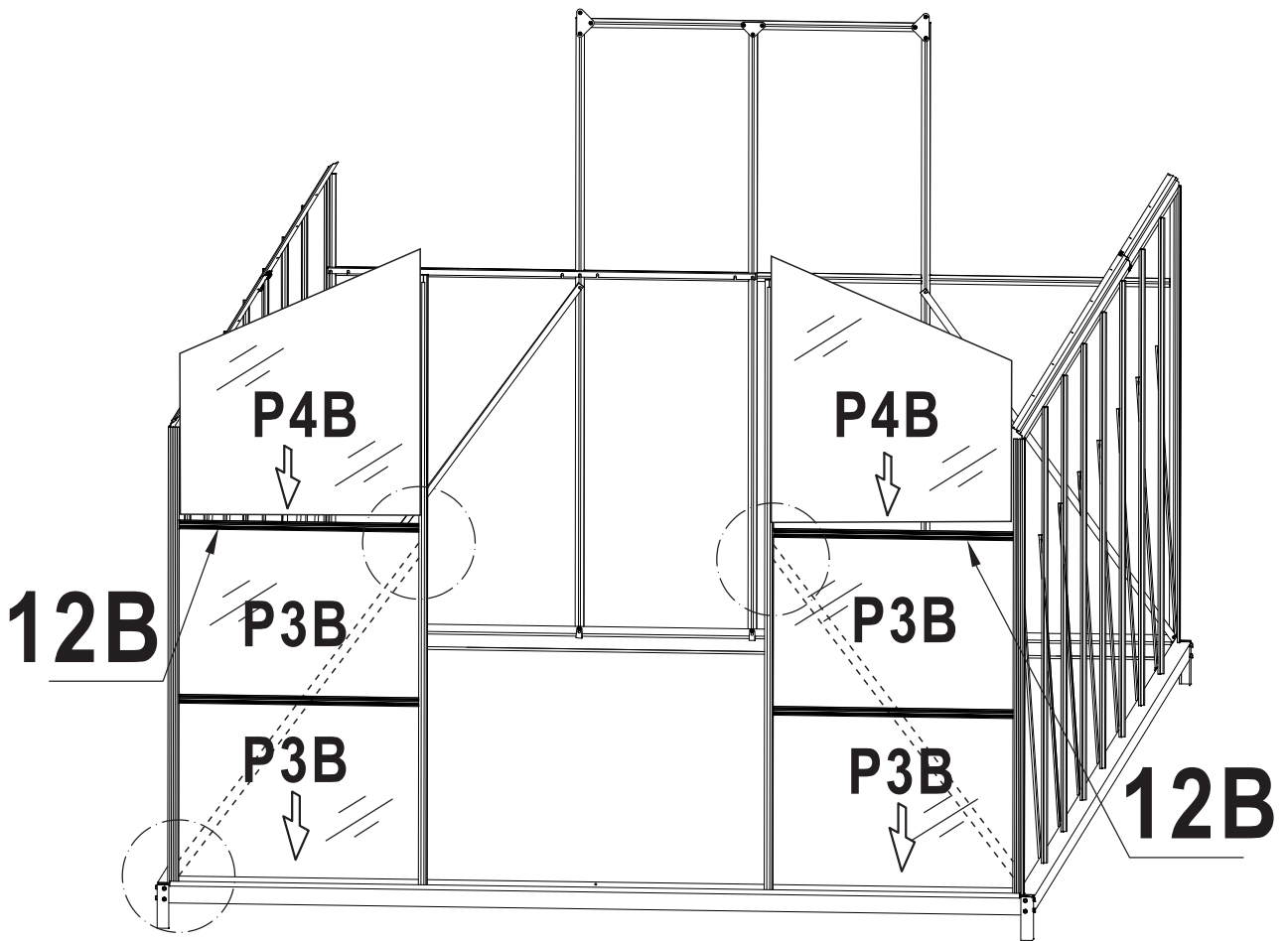
10M


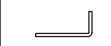




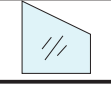


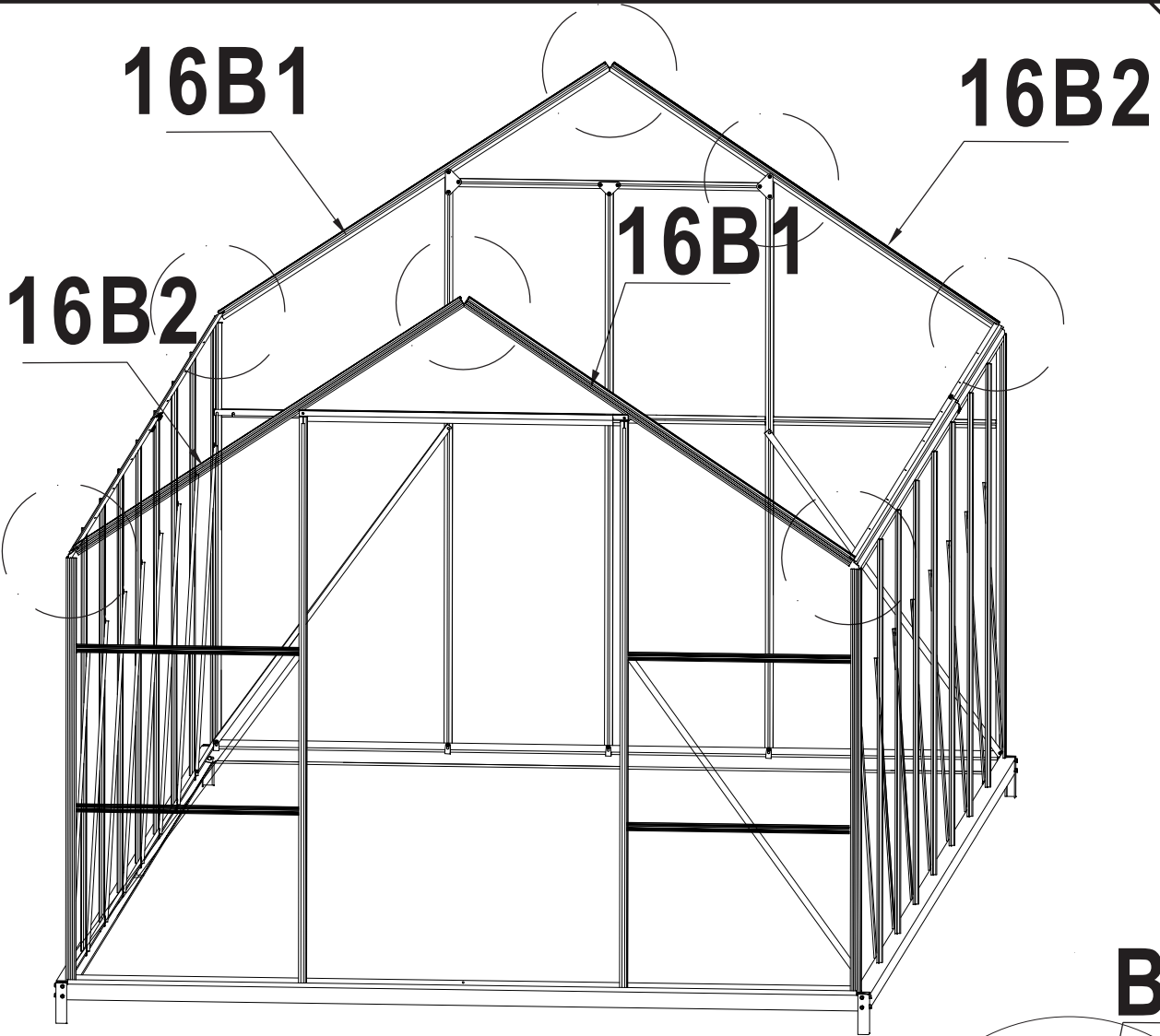
	12M	1
	B15	3
	F4	4
	F4	3



	9B	2
	B2	2
	F4	12
	F4	2



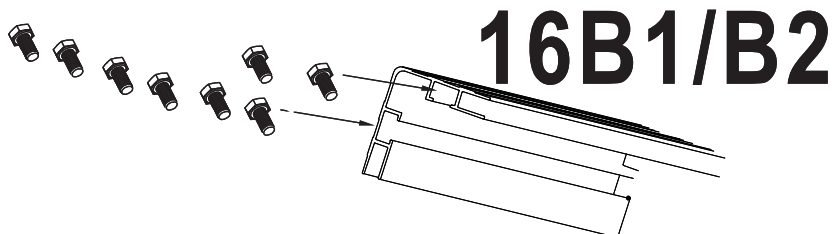
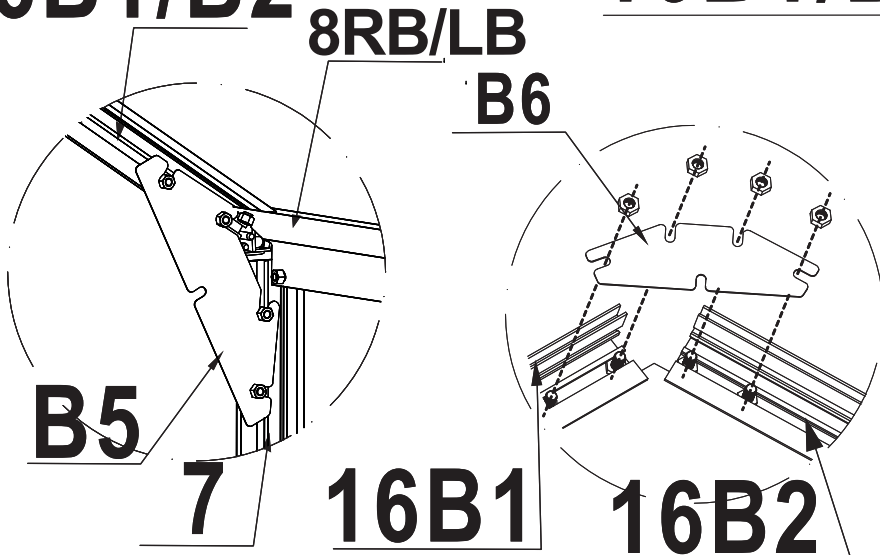
	B3	8		22	2
	12B	4		F4	8
	P3B	4		F4	14
	P4B	2			



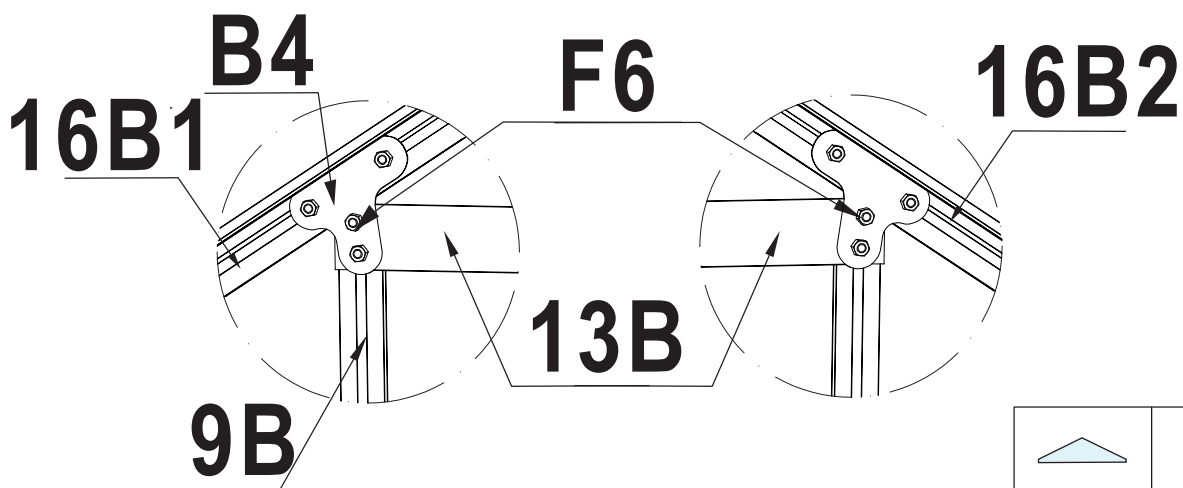
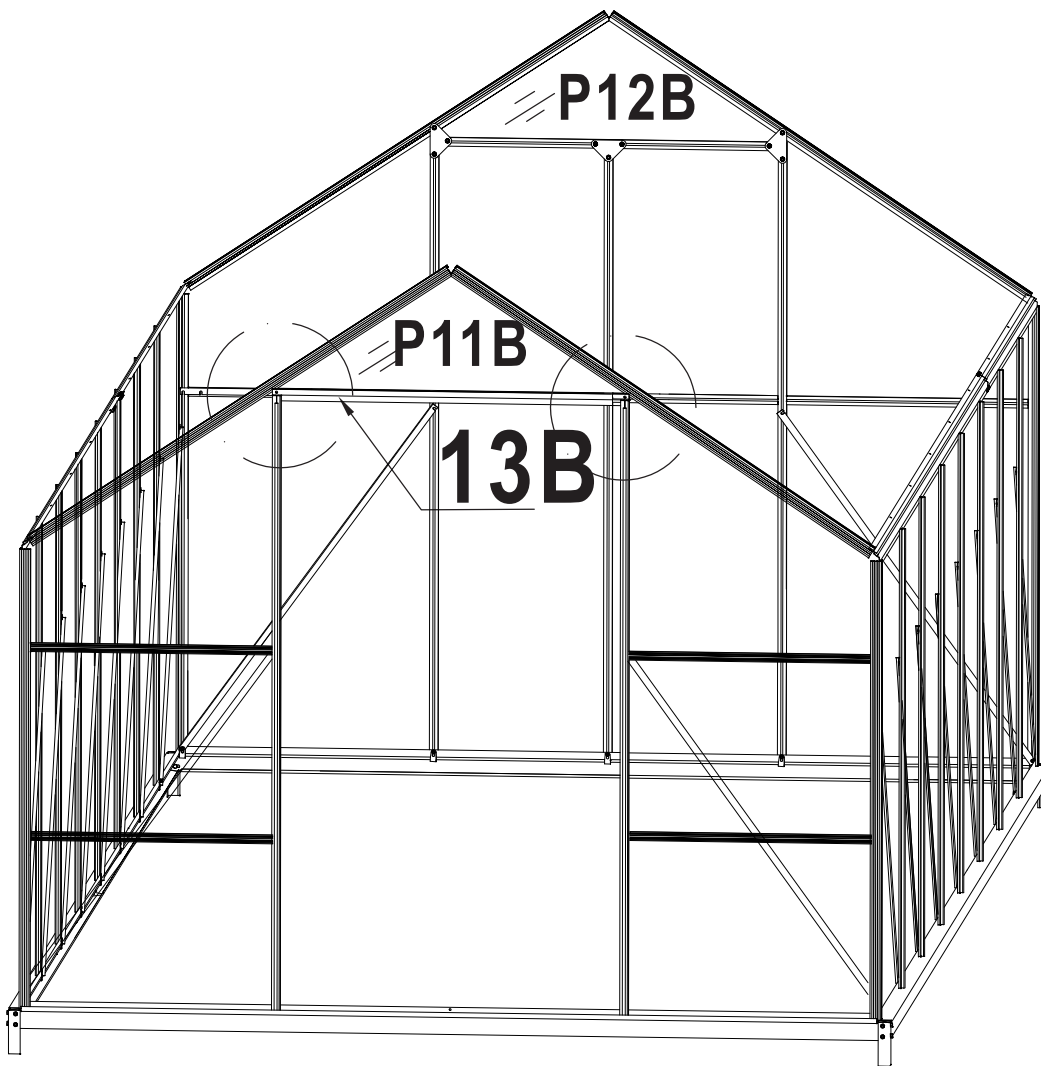
B15







16B1/B2

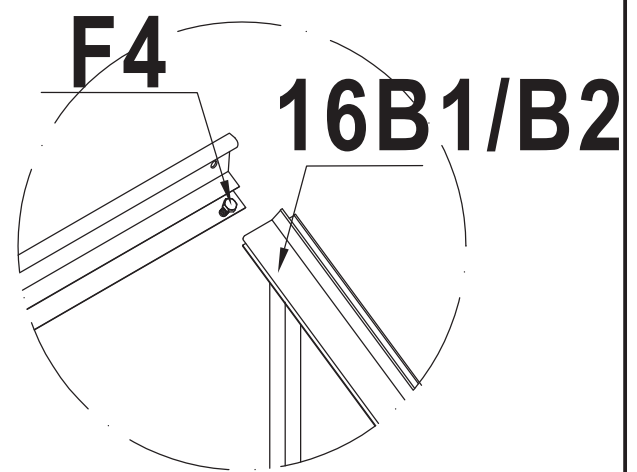
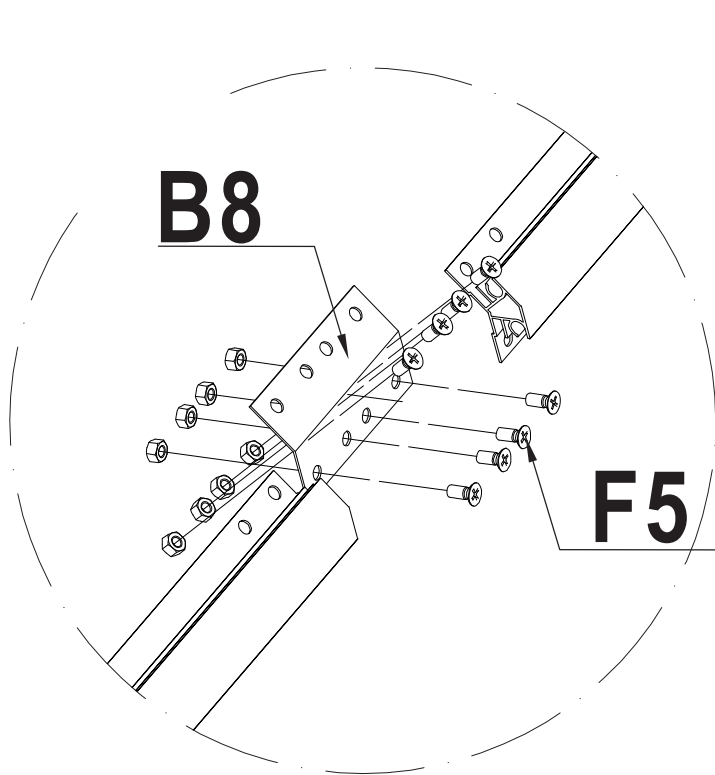
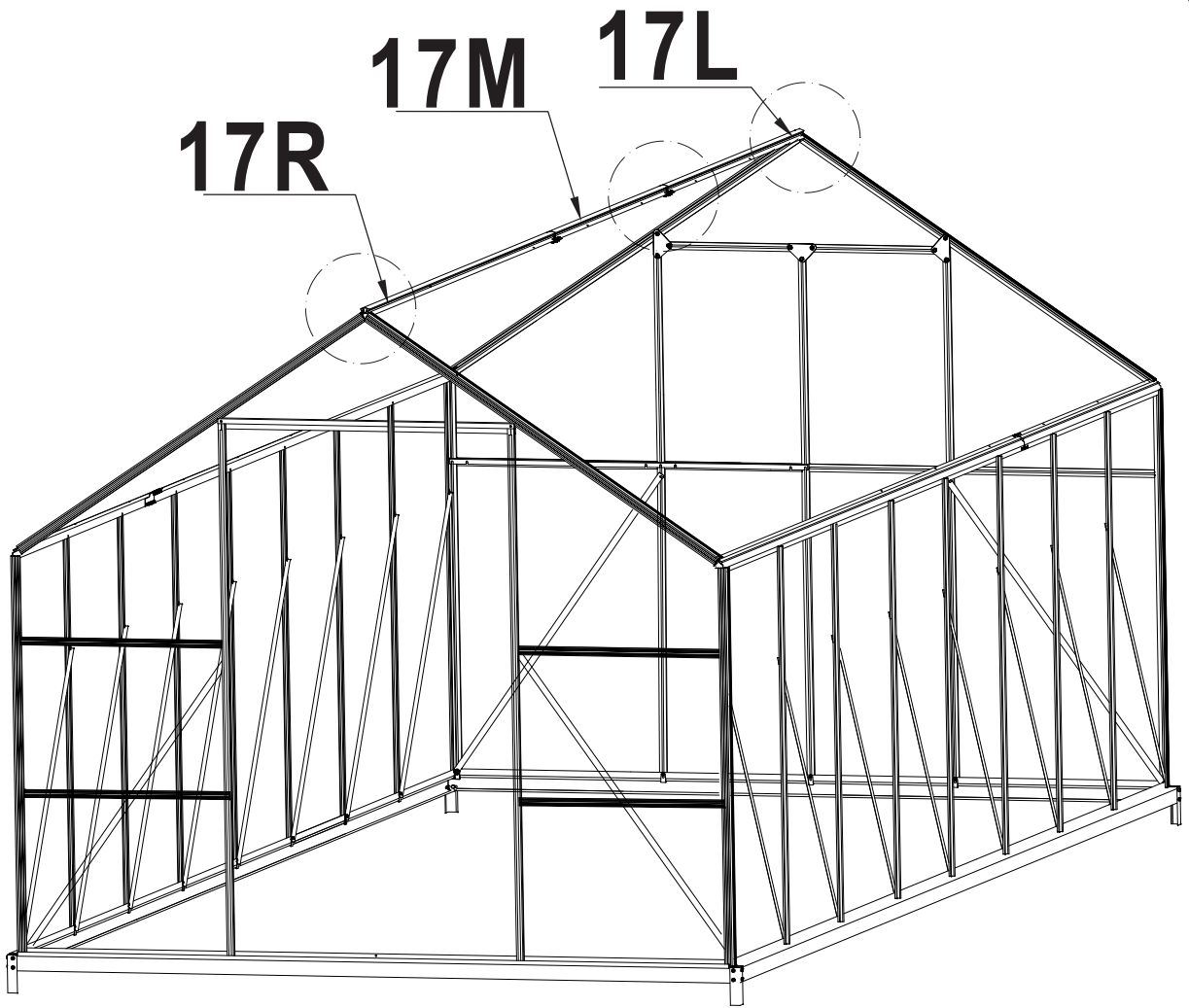
16B1/B2



	16B2	2
	16B1	2
	B6	2
	B5	4
	F4	32
	F4	16

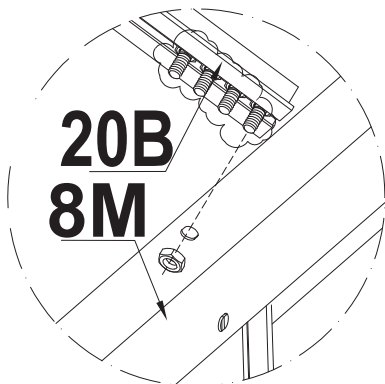
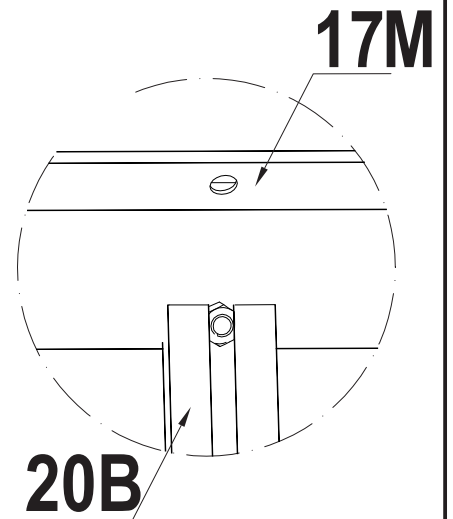
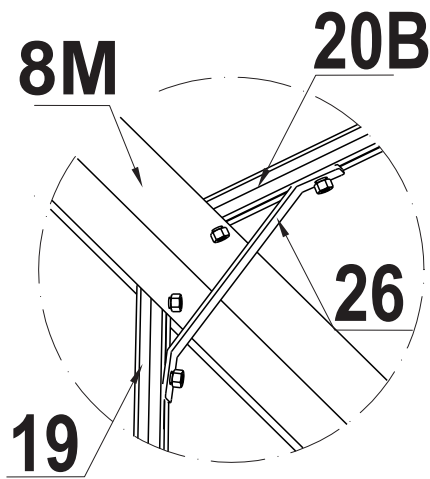
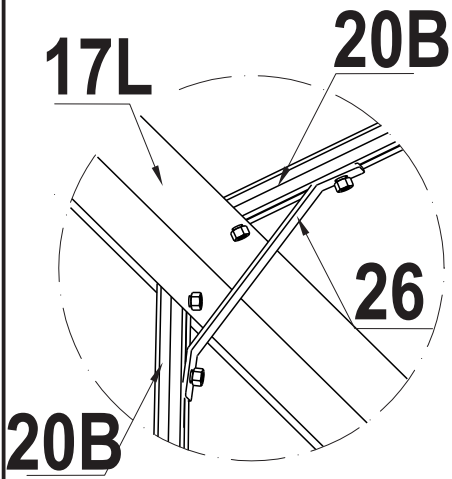
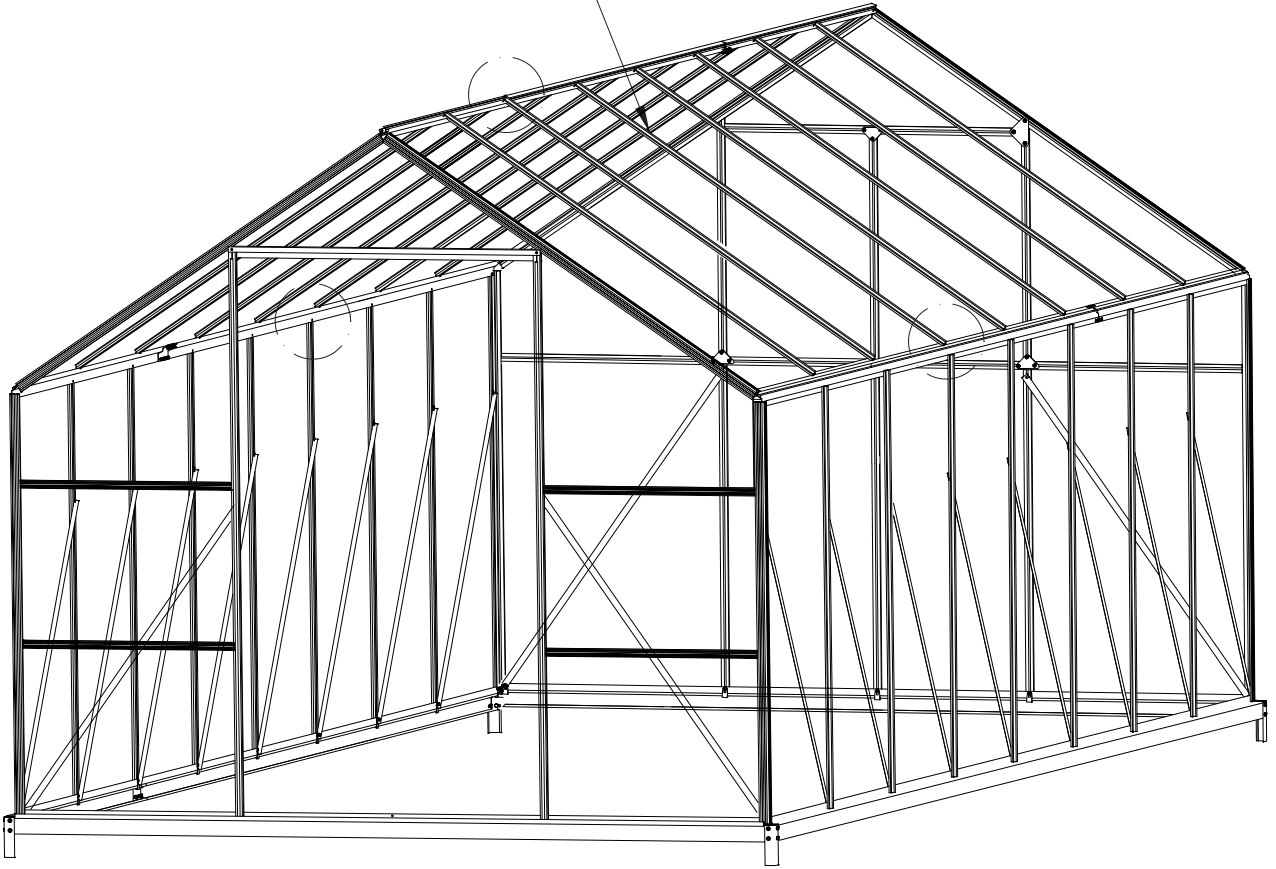



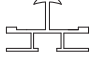


	P12B	1
	P11B	1
	F6	2
	B4	2
	13B	1
	F4	8

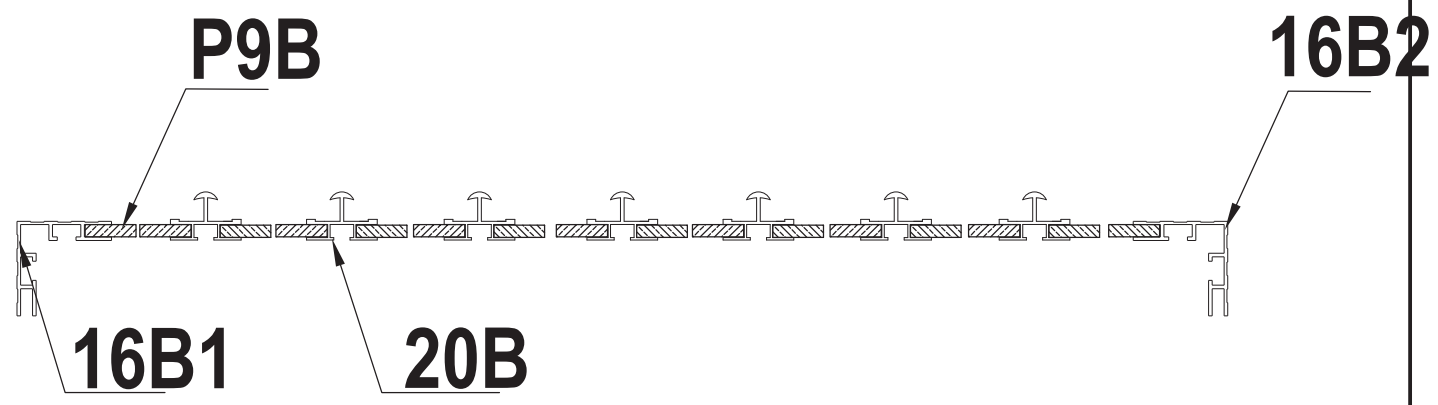
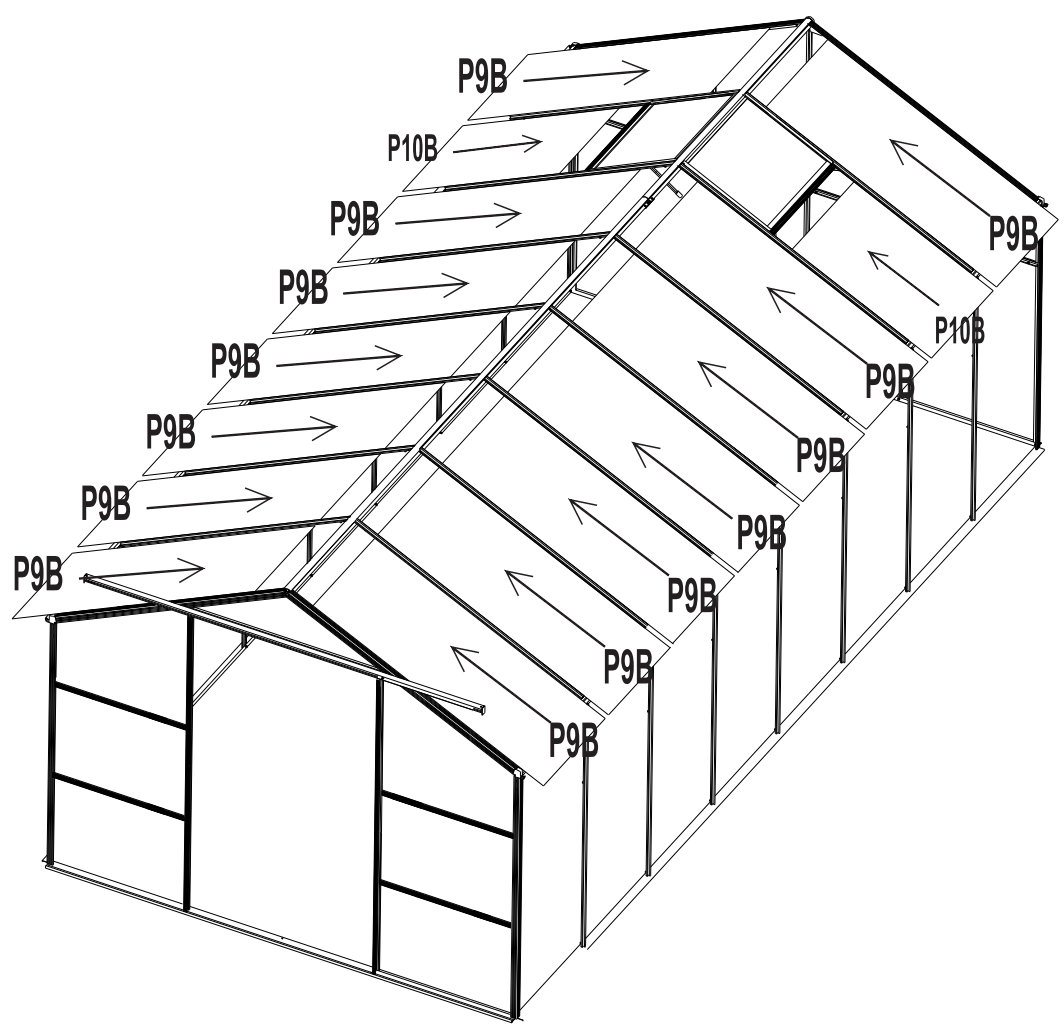


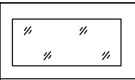
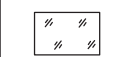
	B8	2
	17M	1
	17L	1
	17R	1
	F5	16
	F4	4

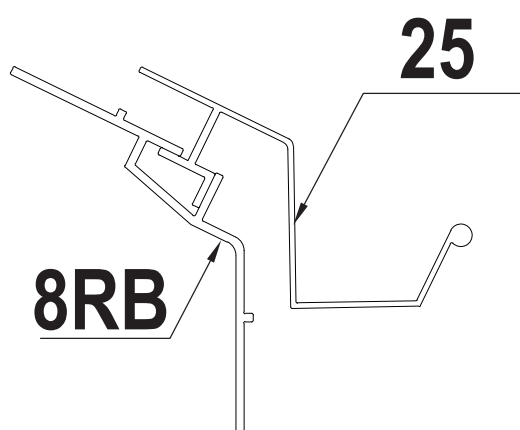
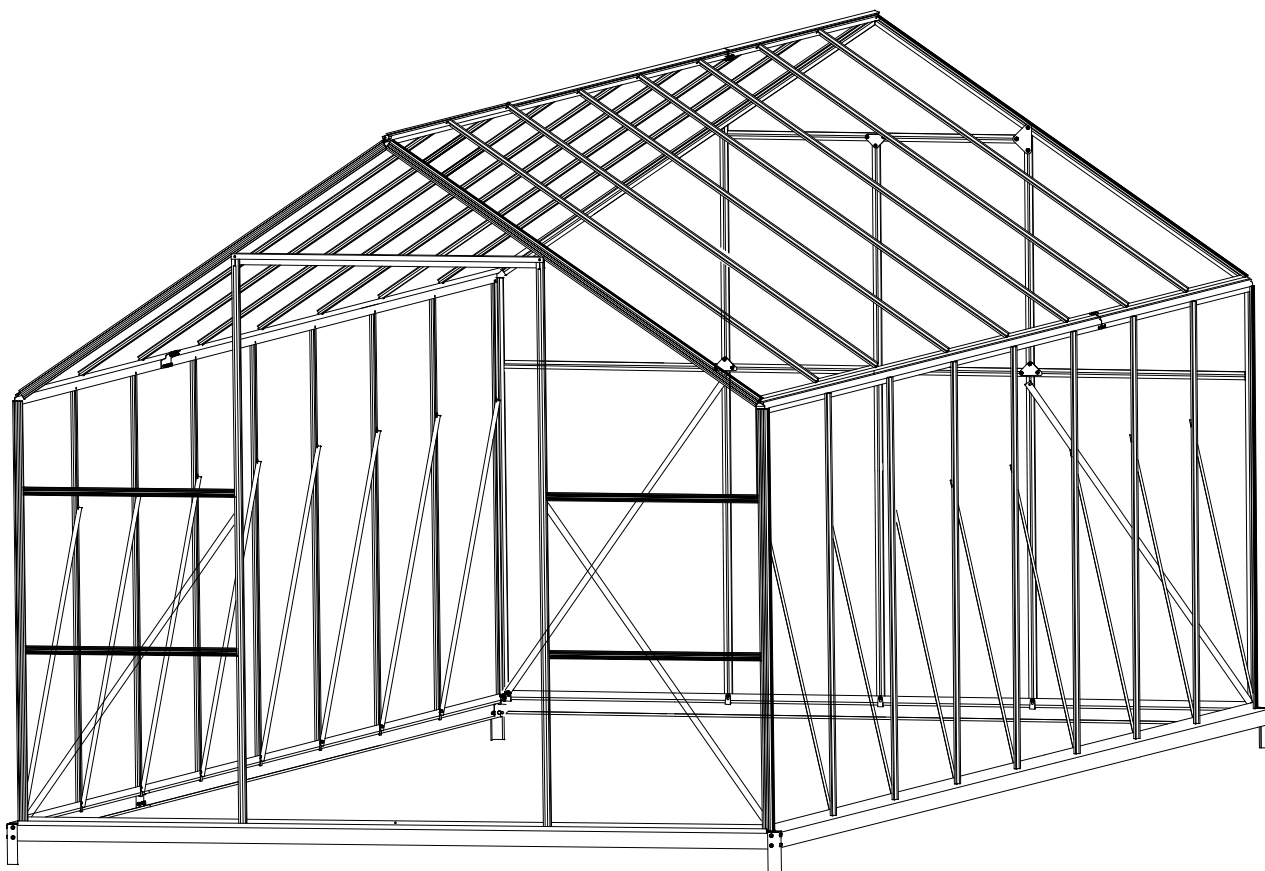
20B





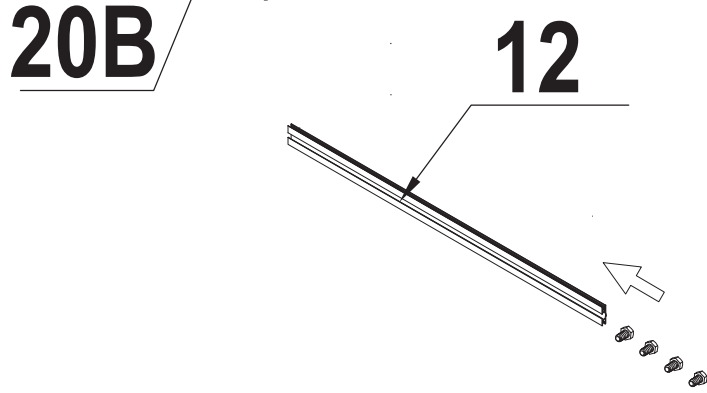
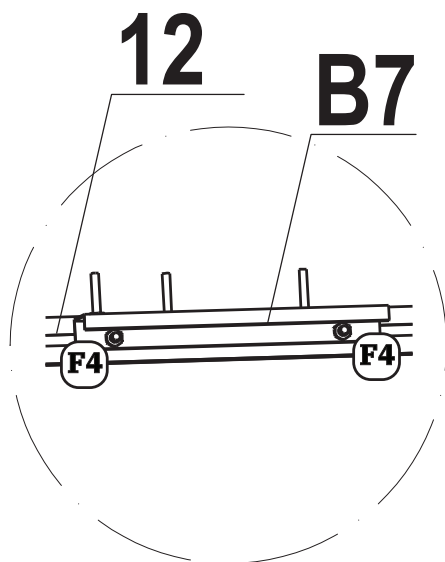
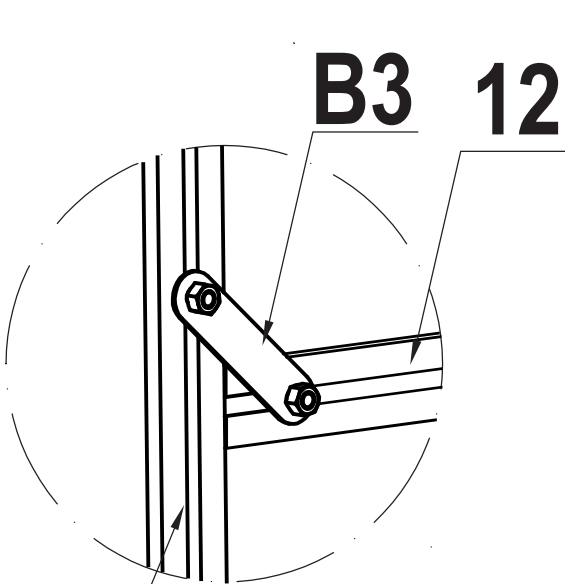
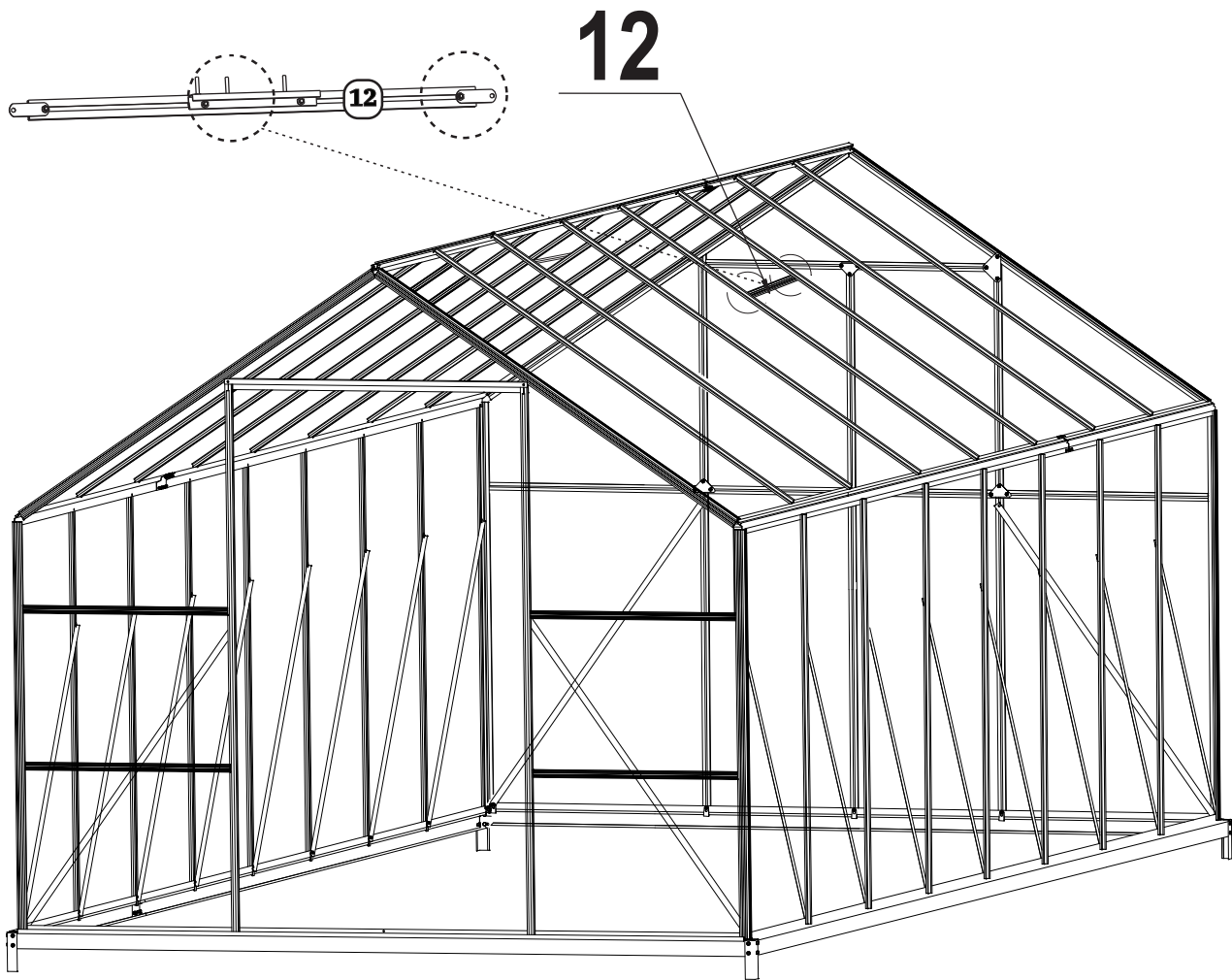
	26	21
	20B	14
	F4	60
	F4	70

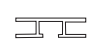
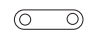





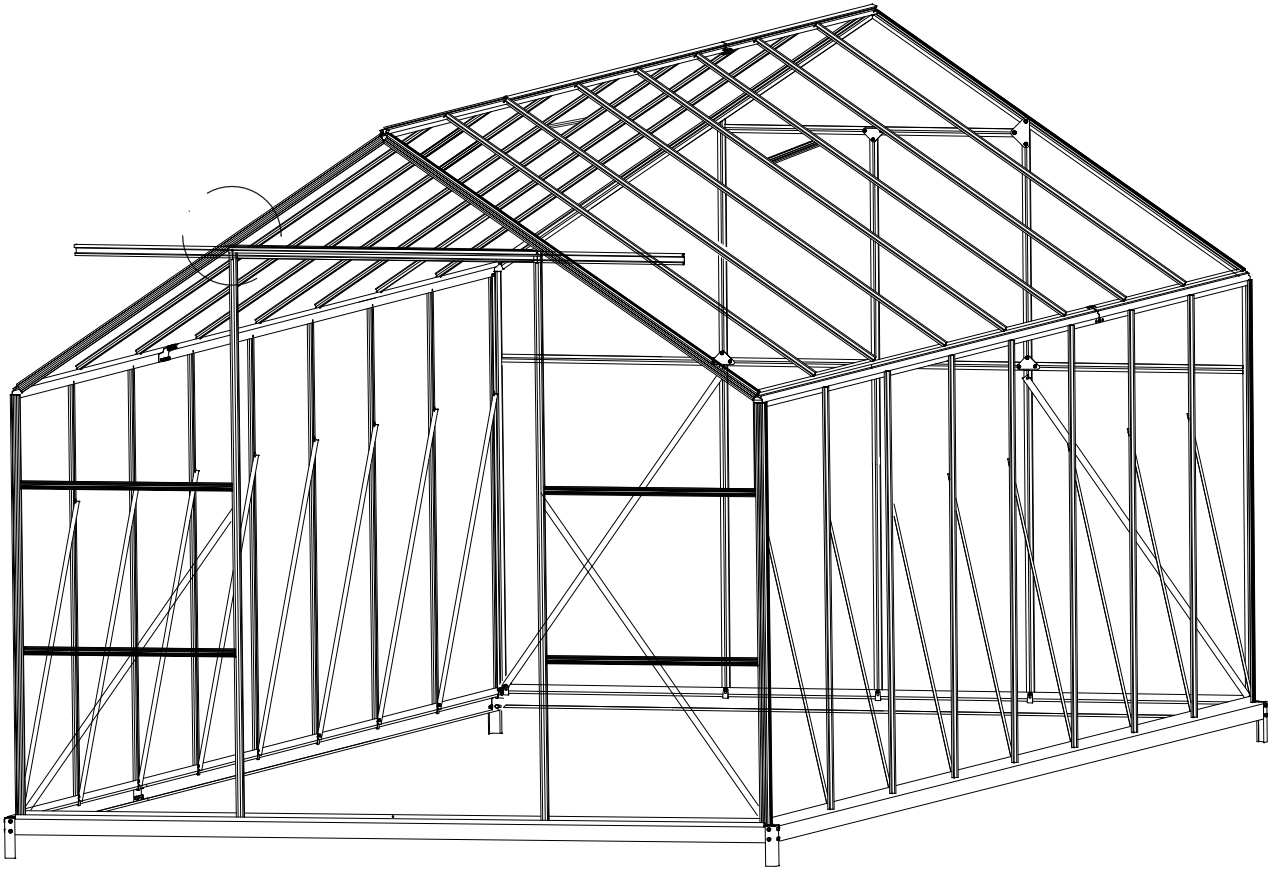
	P9B	14
	P10B	2



	25M	2
	25	4

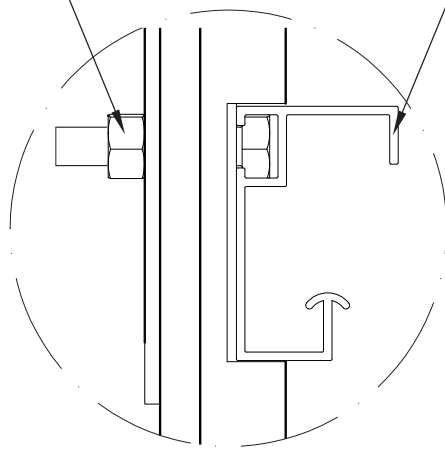


	12	2
	B3	4
	B7	2
	F4	4
	F4	8

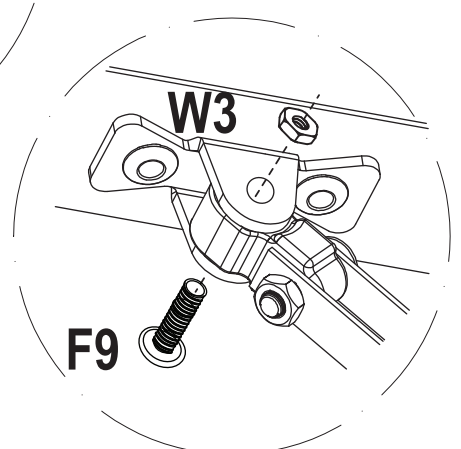
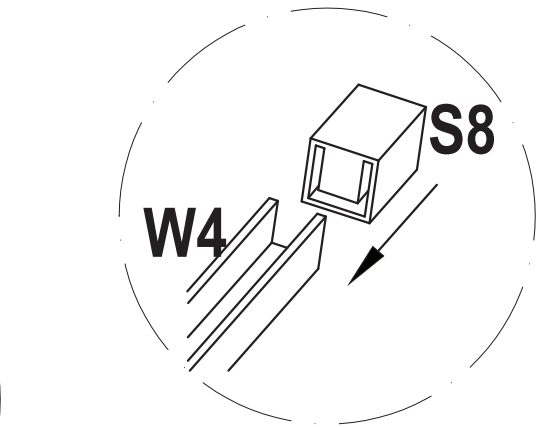
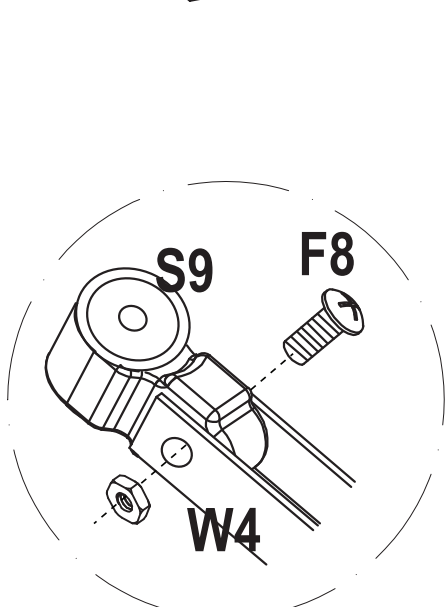
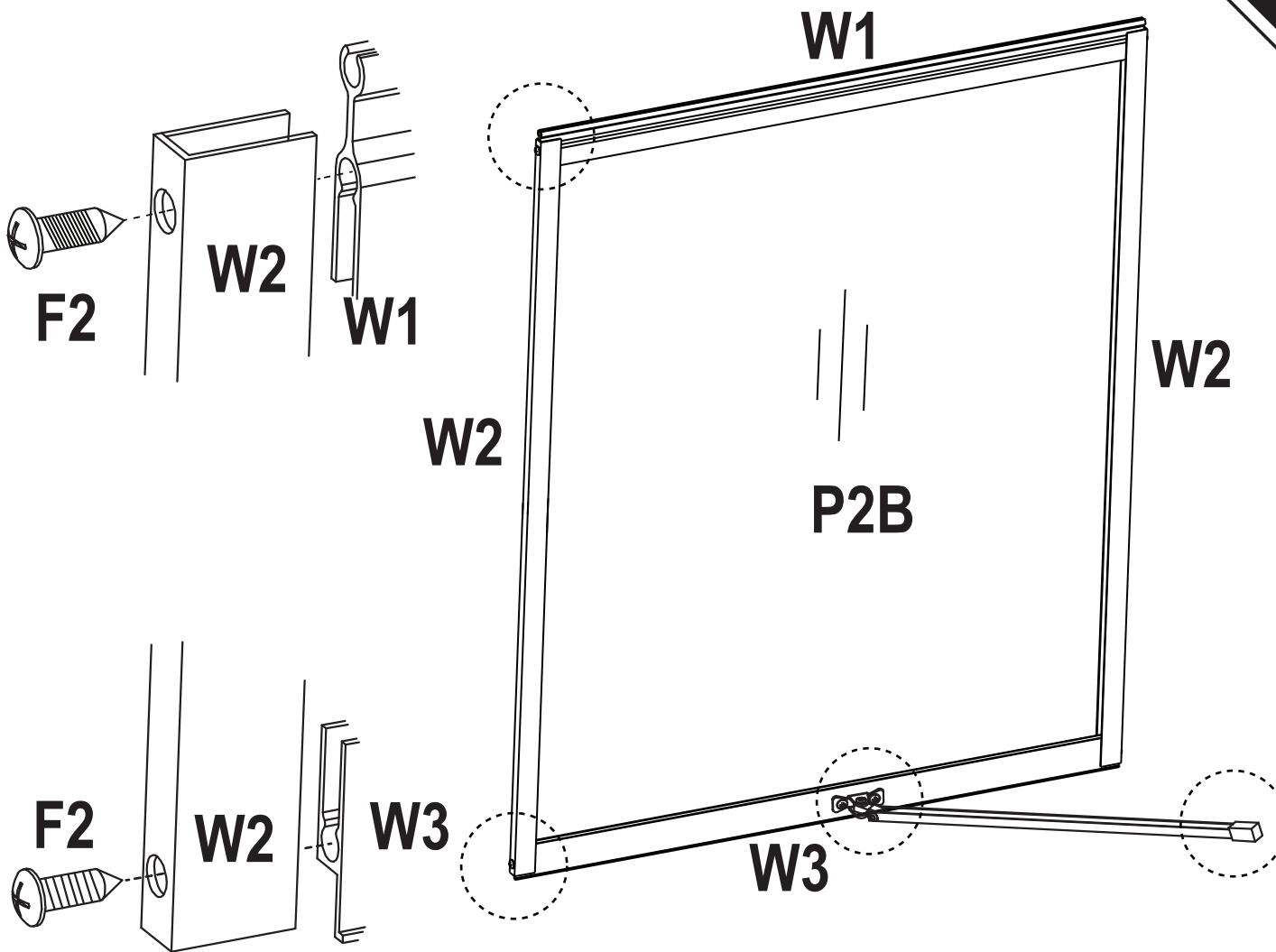




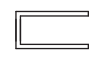


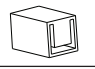
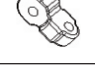
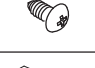
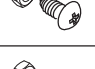

F6

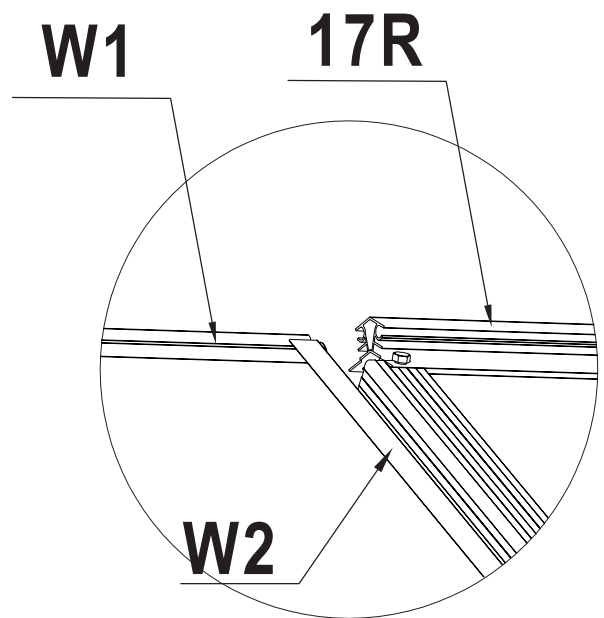
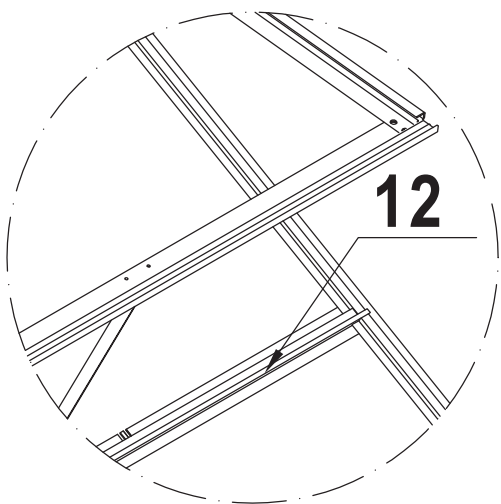
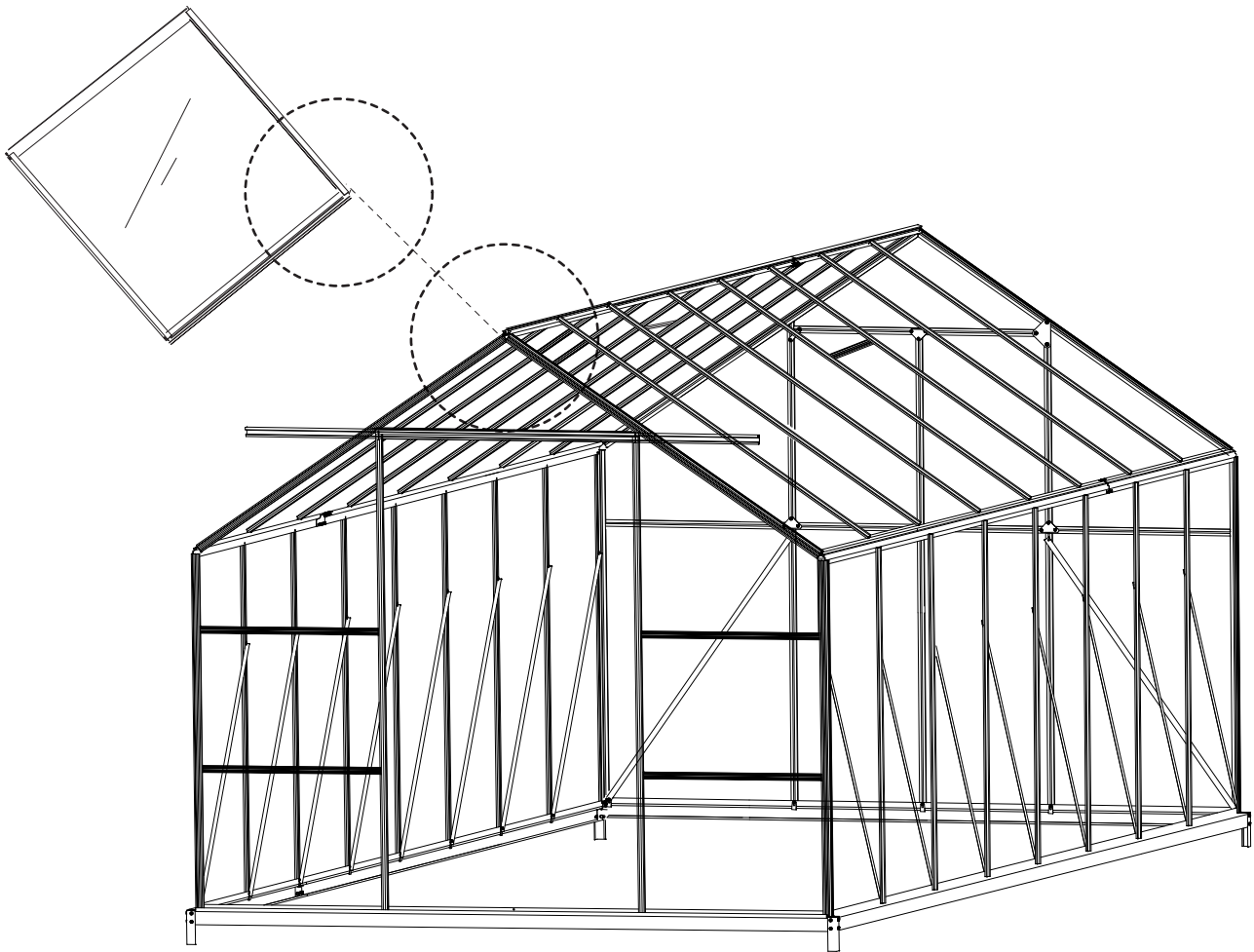
18B



	18B	1
---	------------	----------

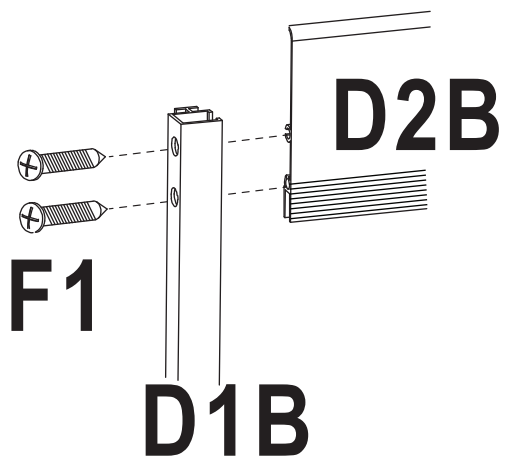


	P2B	2
	W1	2
	W2	4
	W3	2
	W4	2
	S8	2
	S9	2
	F2	8
	F8	2
	F9	2



Porte

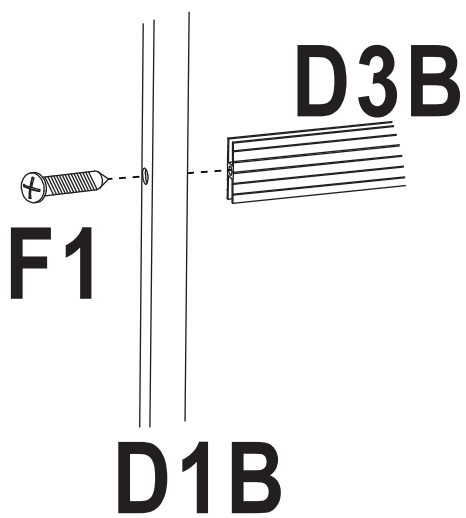
D2B



D1B

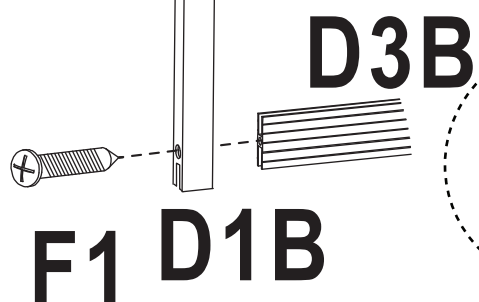
P1B

D4B

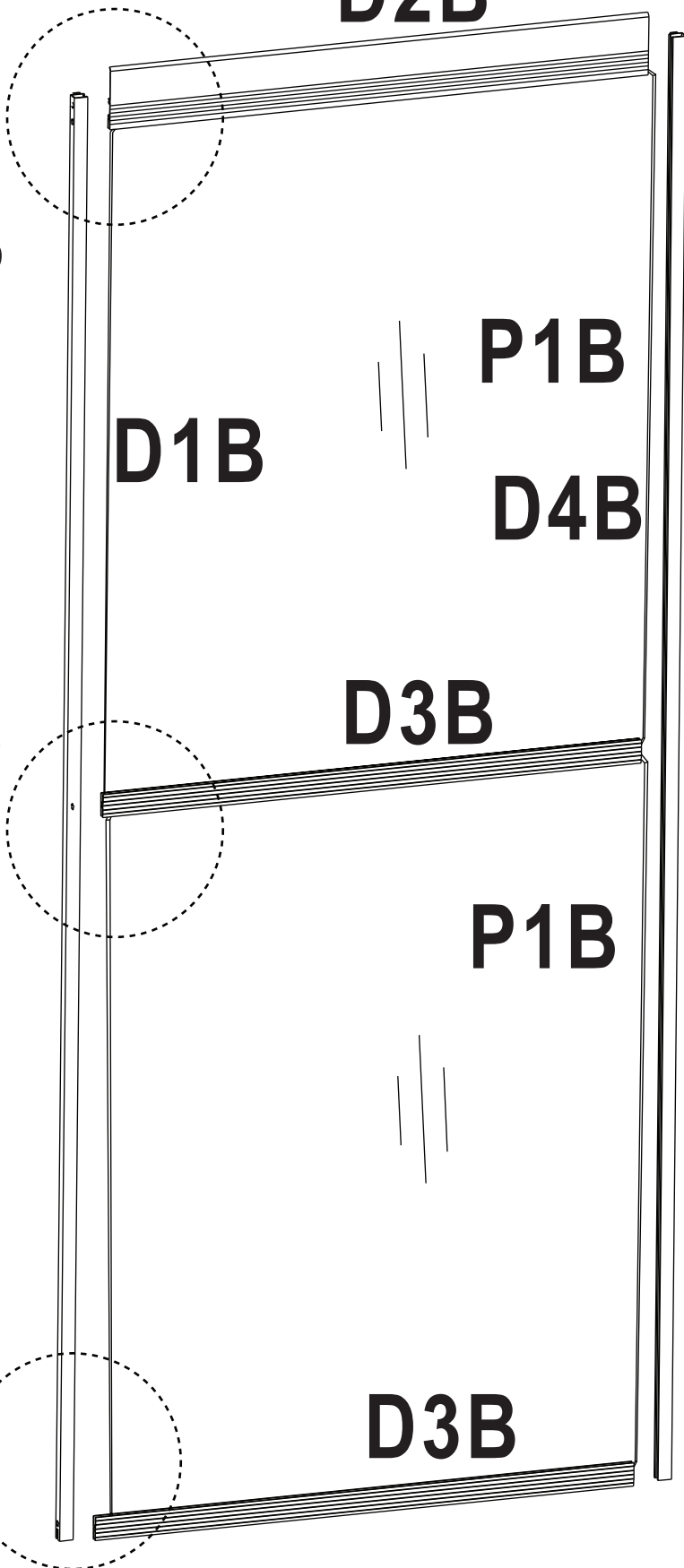


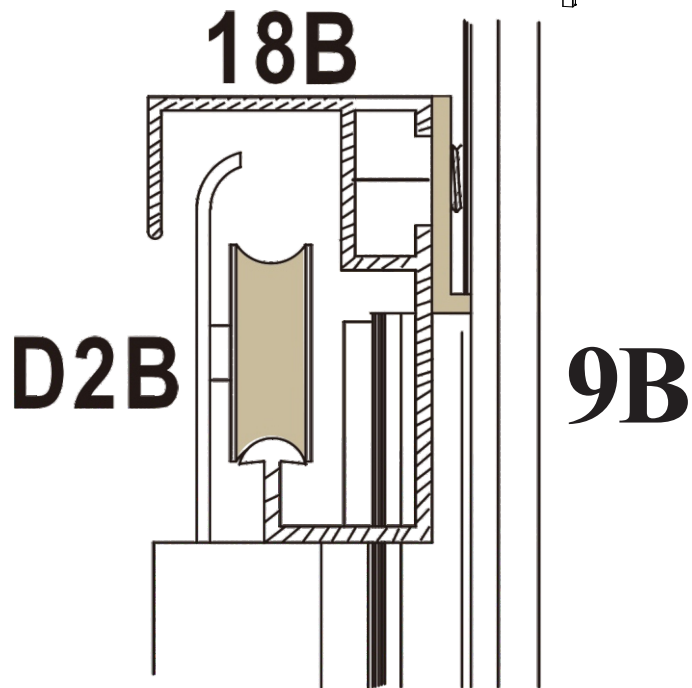
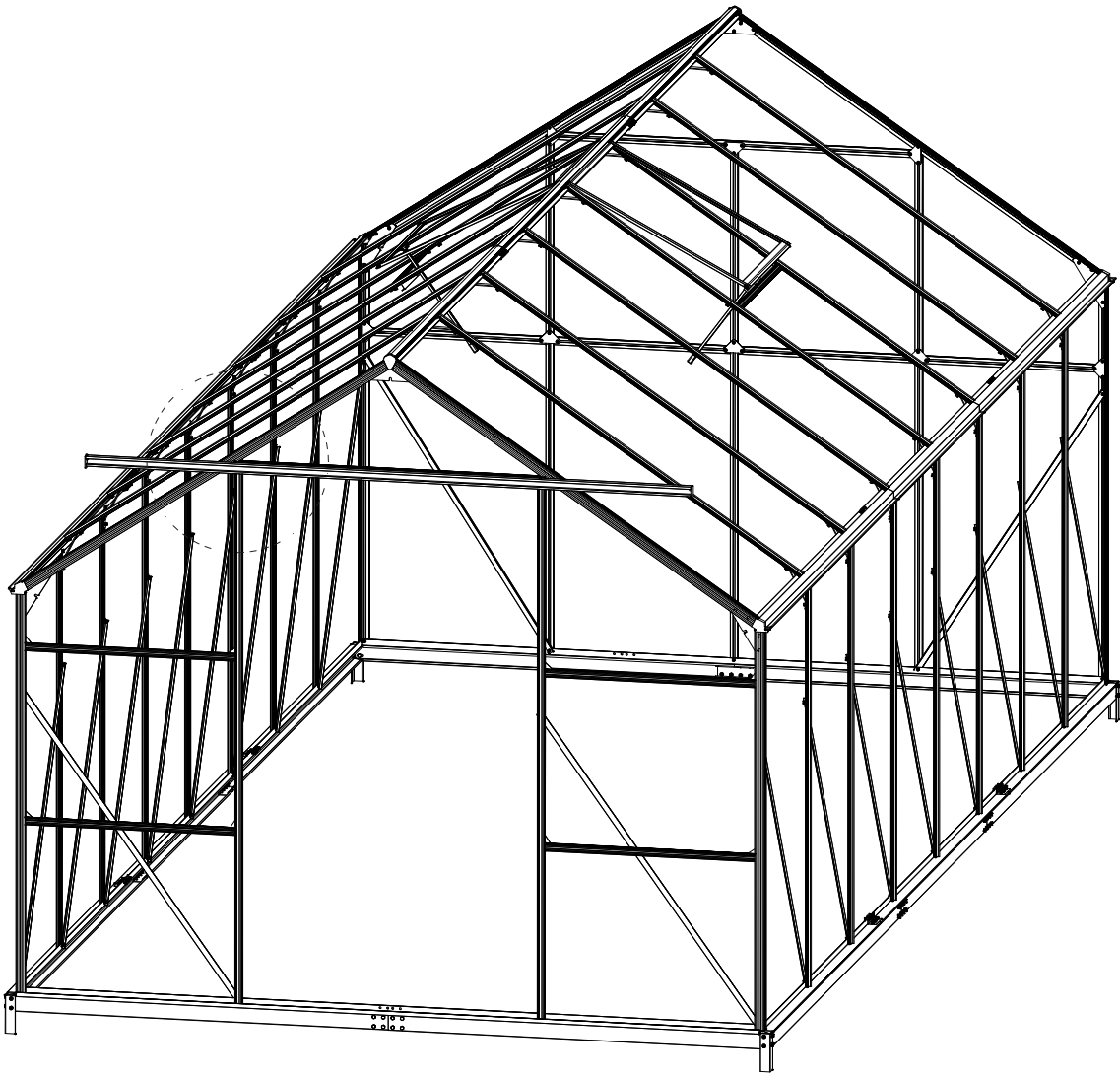
D3B

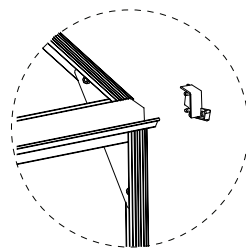
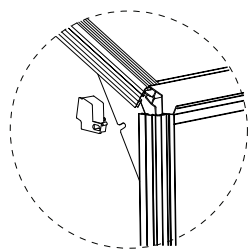
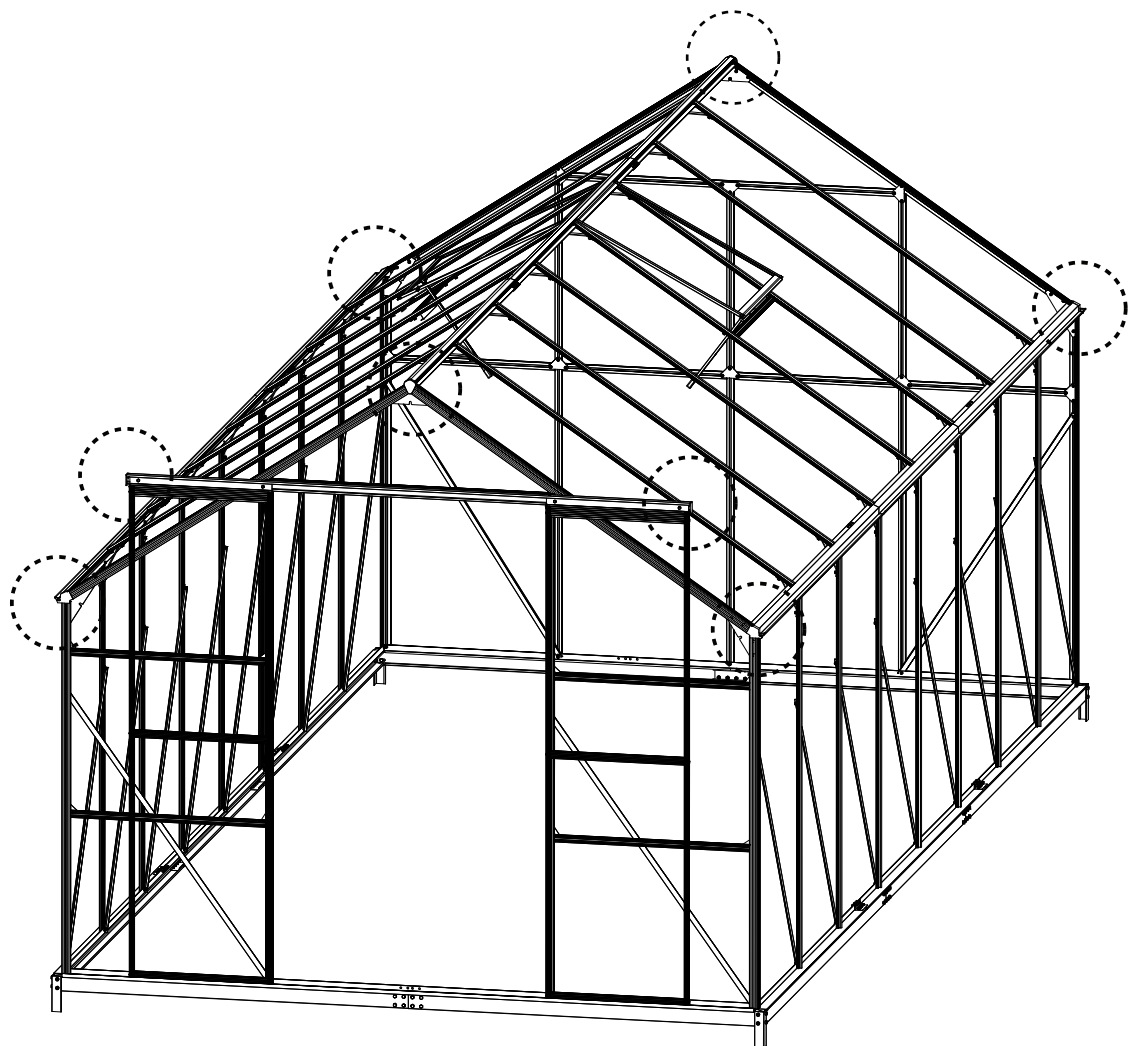
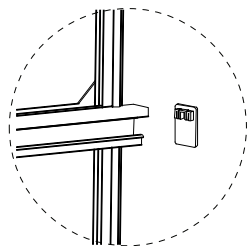
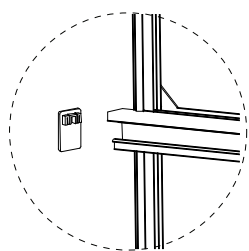
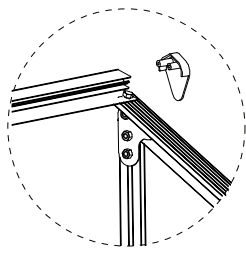
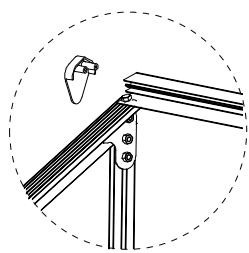
P1B







D3B







	S5	2
	S6L	2
	S6R	2
	S7	2