

Step 1

This procedure will assist you with installing a Free-standing Adagio Water Feature.

Step 2

To complete this procedure, you will need Pliers, Knife, Scissors, Carpenter's Level, Cloth, Step Ladder, and the included Mirror Prep, Plastic Leveling Shim, Scotch Brite Pad, and Zip Ties. Optionally, you may want to purchase Distilled Water.

Note: The Mirror Prep and Cloth is only required for use on mirrored surfaces or glass panels.

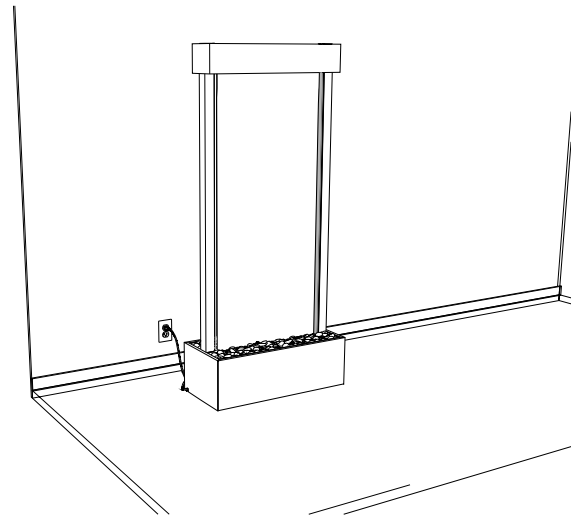
Choosing a Location

Glass Free Standing Water Features can be placed in the center of a room or away from the wall.

The other surface types are best placed flush against a wall.

The tray projects out 14 inches on both Center and Flush mounted features, so we suggest placing it in an area that will not interfere with traffic flow.

When deciding on a location you also need to consider your power source. The water feature requires 110 Volt 60Hz power and will operate at less than 10 amps.

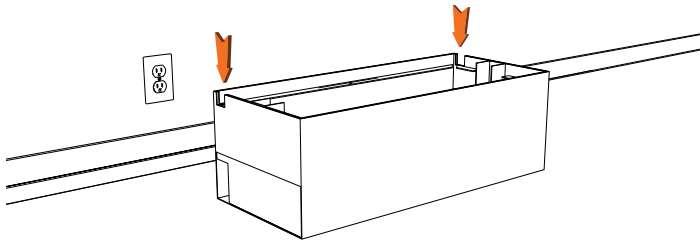


Step 3

Please read the information above to ensure the correct location is chosen for your new Water Feature.

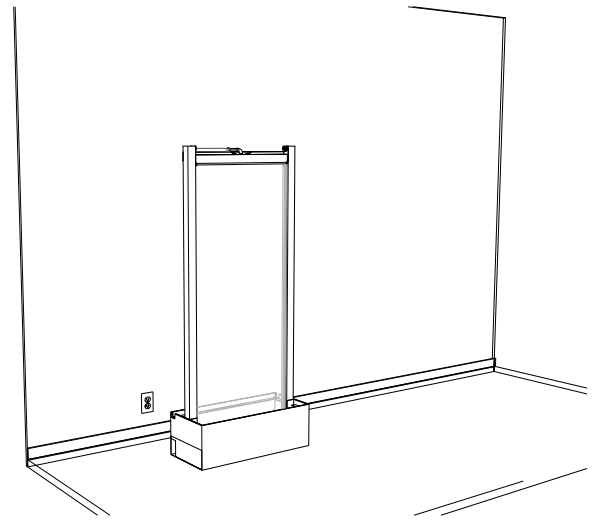
Step 4

The following steps will assist you with installing a Center Mount Freestanding Water Feature. If you have a Flush Mount Water Feature, go to Step 37.



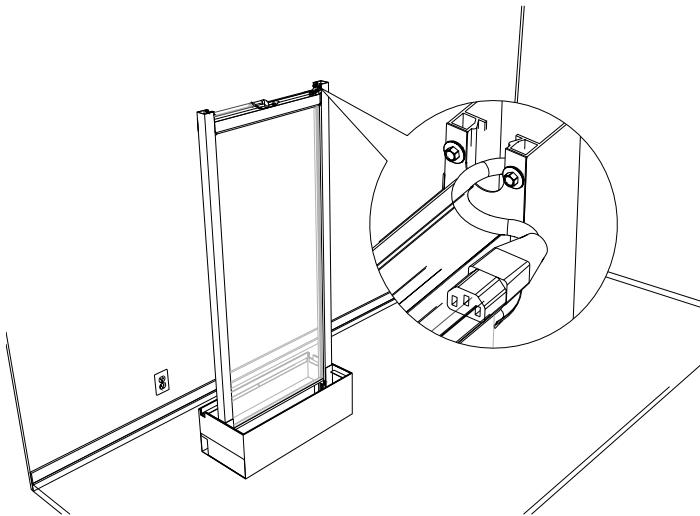
Step 5

Place the Center Mount Tray in the location you have chosen. Ensure the notches on top are oriented towards the back.



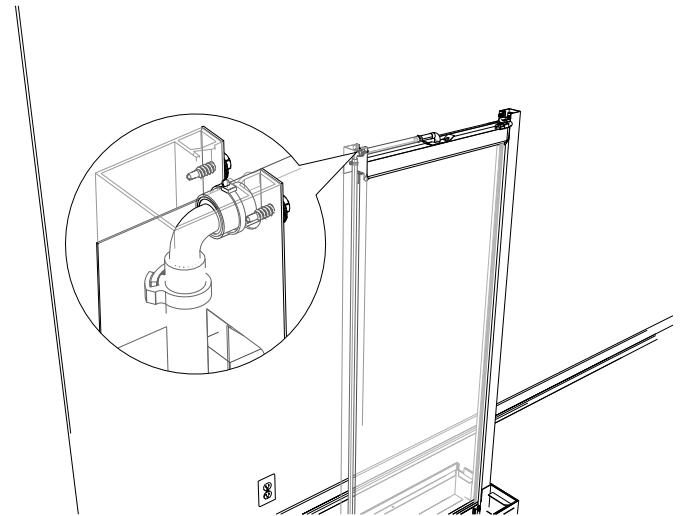
Step 6

Slide the Panel into the slots in the Center Mount Tray. Ensure the Panel is facing the correct direction.



Step 7

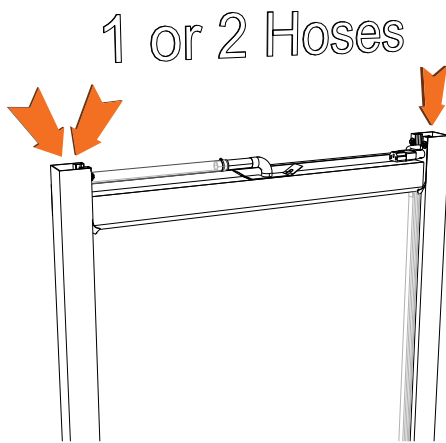
If your model comes with a lighted Hood, you will receive an additional Cord that needs to be fed down the Right Upright Support. Make sure the Plug is fed down first as the Receptor will plug into the Light Bar inside the Hood.



Step 8

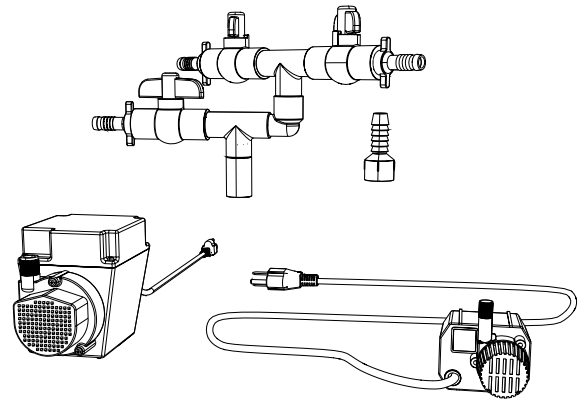
Feed the Hose down the square hole in the Left Side Upright Support. Attach the Hose to the Water Distribution Elbow at the top using (1) Hose Clamp or (1) Zip Tie.

Note: In order to feed the Hose down through the bottom you will need to lift the Panel up just enough to pull it through.



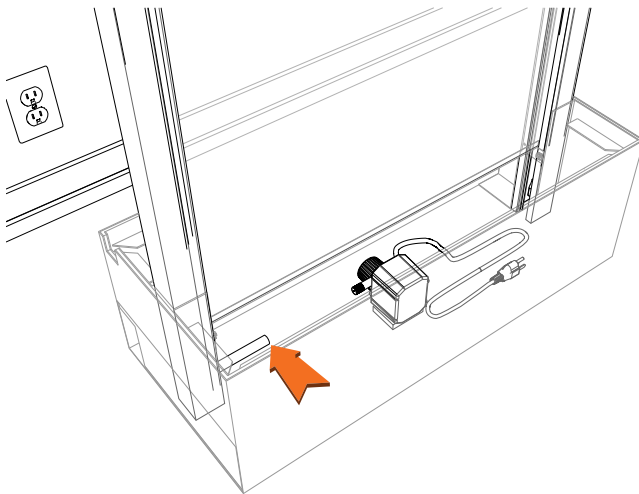
Step 9

Depending on the size of your Water Feature, you may have to add 1 or 2 Hoses down each Upright Support. Please feed all required Hoses down the Upright Support and attach them to the Water Distribution Elbow as needed.



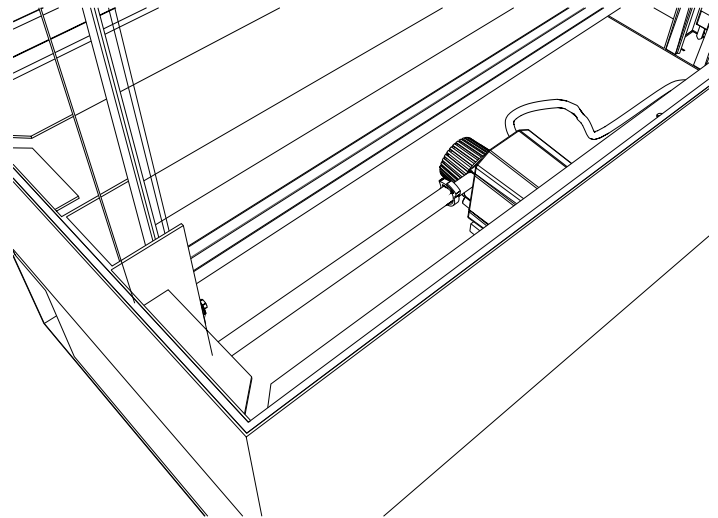
Step 10

The size of your Pump size and style may vary. Attach any applicable adapters or manifold to the Pump at this time.



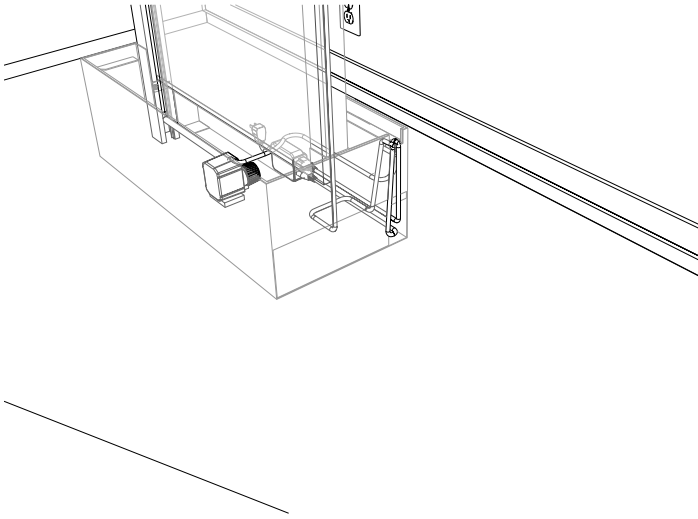
Step 11

Affix the Pump Pad to the bottom of the Water Pump after removing the adhesive covering from the Pad. This will help in quieting the noise of the Pump. Position the Pump in the center of the Tray. Make sure that any Water Nozzles are pointing towards any Hoses.



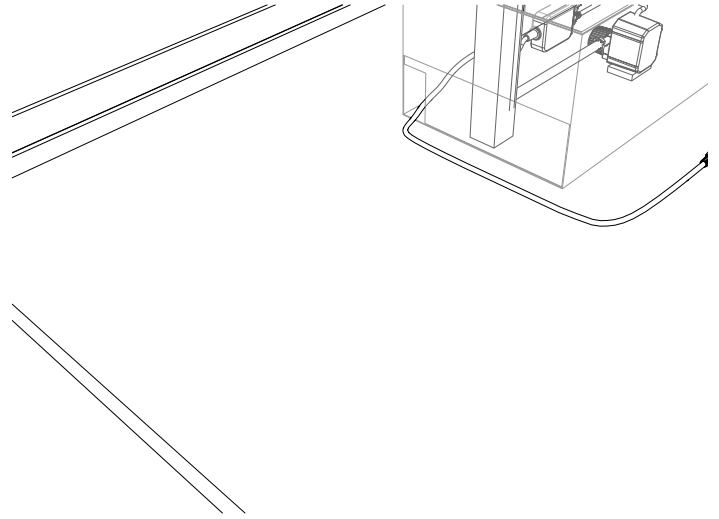
Step 12

Slide the Hose over the Water Nozzle and secure it with a Hose Clamp or Zip Tie. Trim the Hose if needed to avoid it from kinking. Any kinks in the Hose can cause significant water flow issues.



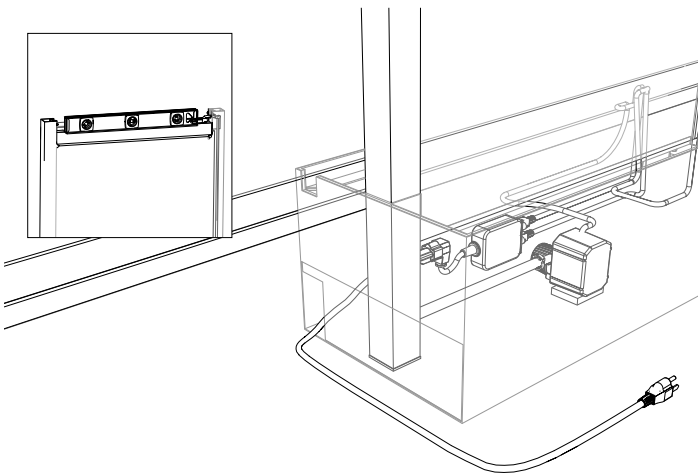
Step 13

Run the Pump Cord under the Panel and over the side of the Tray into the electrical cavity, it should rest in the notch on either the right or left side. Plug in the Pump Cord and Light Cord (if included) into the Remote Receiver. Then feed the Remote Receiver and Cords into the electrical cavity.



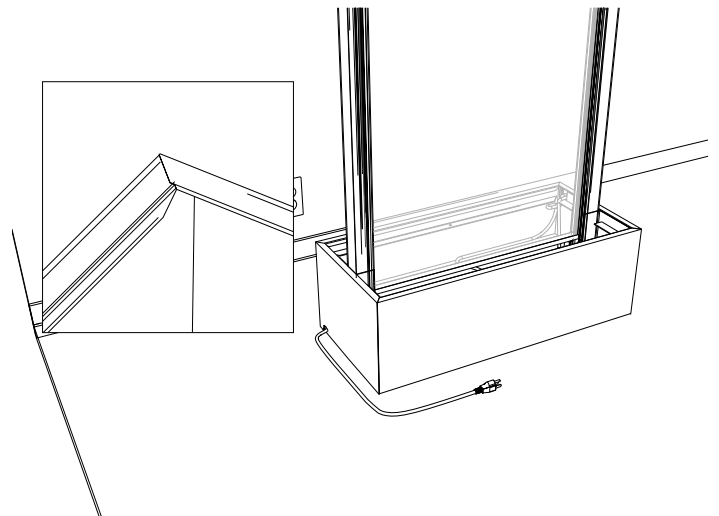
Step 14

Connect the Power Cord to the Remote Receiver.



Step 15

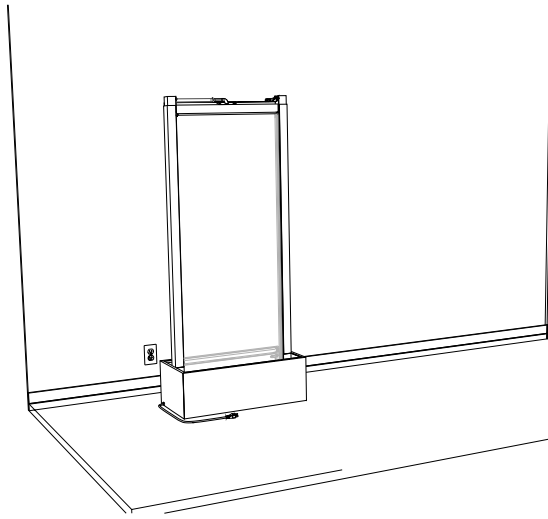
Ensure the Water Feature is level by placing a Level on the front lip of the Water Distribution Unit. Adjust the Unit by using Plastic Leveling Shims as needed under the Left and Right Upright Supports. Continue adjusting until the Unit is level.



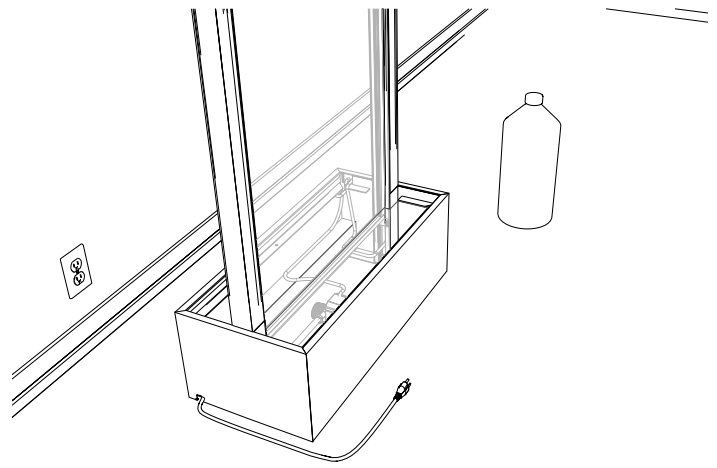
Step 16

Slide (1) Decorative Tray Cover Panel over the front and back of the Water Feature. Then Slide (1) Decorative Tray Side Panel into place on each side as shown. The Side Panels have a folded metal tab on each side to slide over the lip on each side of the front and back Panels.

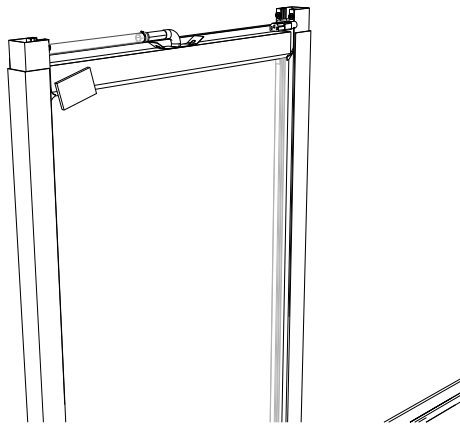
Note: Make sure you use the Side Panel on the correct side. The notches should line up with where cords need to exit from.



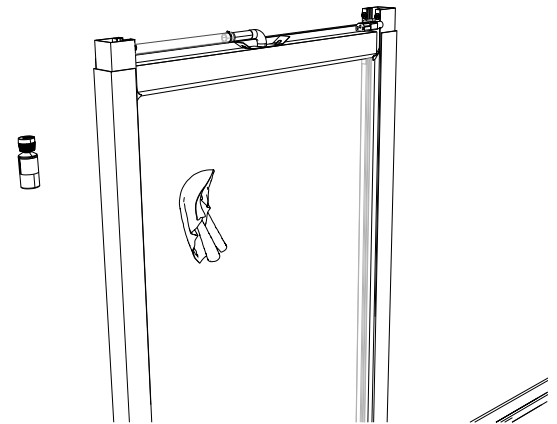
Step 17
 Slide the Center Mount Decorative Trim over the Left and Right Upright Supports.



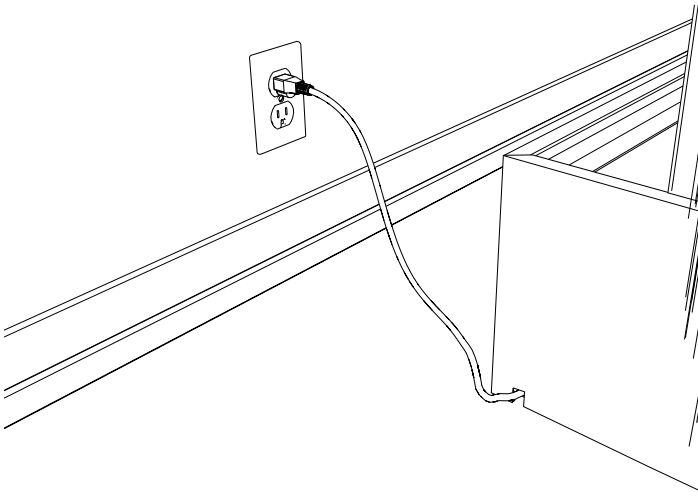
Step 18
 Slowly pour Water directly on the Water Surface. Make sure to keep the Water filled above the Pump and no higher than the water fill line on the warning label. Do not fill while it is running as this can lead to overfilling the Liner. Overfilling the Liner forces Water between the Liner and Tray and can cause the Tray to appear as if it is leaking. Note: We recommend always using Distilled Water. Distilled Water will help prolong the life of your Water Feature and make it much easier to maintain.



Step 19
 Before turning on the Water Feature, lightly go over the copper Water Distribution Unit with the supplied Scotch Brite Pad while it is still wet. This will help the water to completely cover the Panel. If your Water Surface is stone lightly go over the surface with the Scotch Brite Pad. This will help the water completely cover the Panel. Do not apply the Scotch Brite Pad to glass, mirrors, or custom engraved logos because they can get scratched.

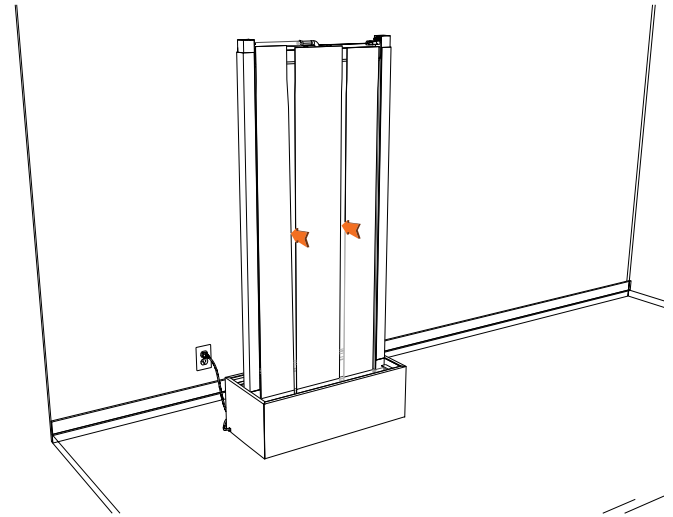


Step 20
 Apply Mirror Prep to any mirror or glass surfaces included using a wet Cloth. Ensure to cover the entire surface with the solution. Let the Mirror Prep dry for 2 to 3 minutes, and then remove it with a clean wet Cloth.



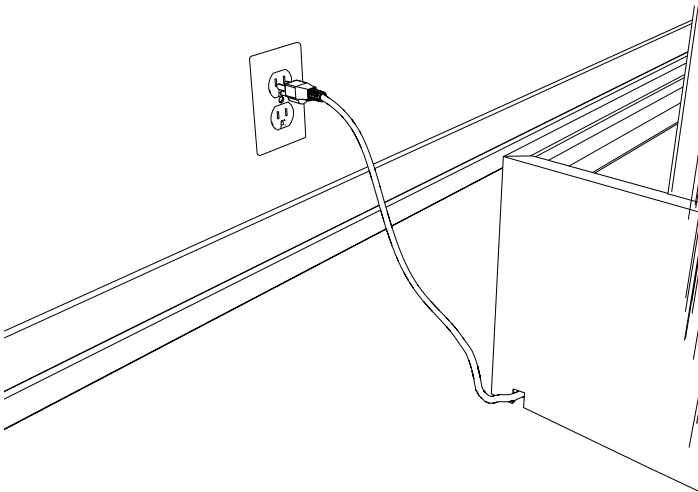
Step 21

Plug the Power Cord into an outlet or extension cord and turn it on. This is for testing purposes only.



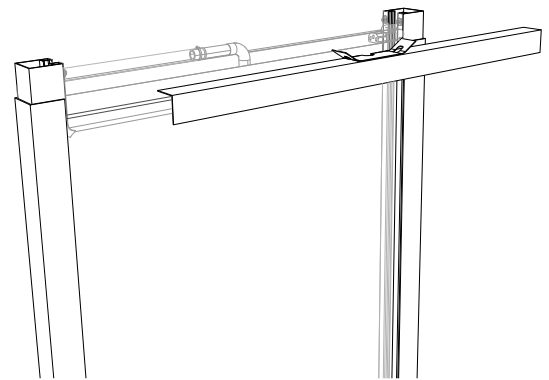
Step 22

Check for any dry spots. It usually takes 10 to 20 minutes for the entire surface to get completely wet. Do not touch the Water Distribution Unit with your fingers to try and even the water flow, as this can leave natural oils that block the water from flowing over the Distribution Unit.



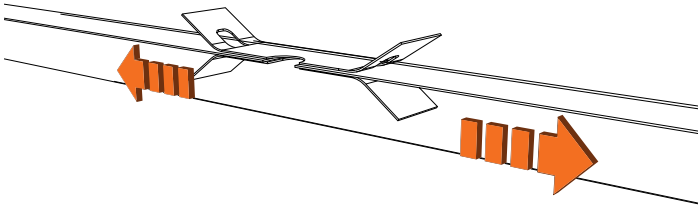
Step 23

Unplug the Pump.



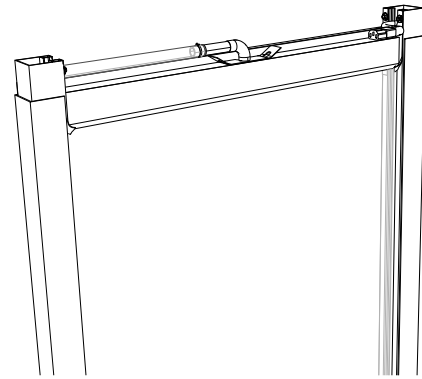
Step 24

Make adjustments to the water flow by removing the white Baffle from the Water Distribution Unit. To do so, flatten the upper set of copper tabs on the Baffle, this will allow it to roll up and out of the Distribution Unit.



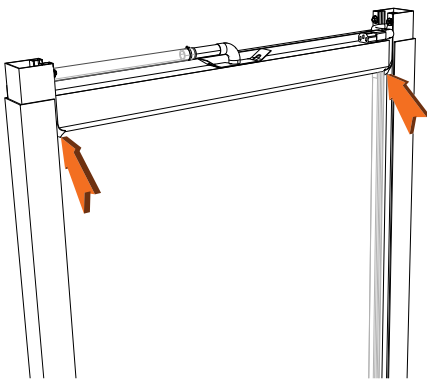
Step 25

On the underside of the Baffle you will notice an additional set of copper tabs. These tabs act as small dams for the water. The water enters the Distribution Unit directly in the middle of these two tabs. The tabs can be adjusted in or out to direct the water flow to each side or in the middle. These two tabs are only used for water flow adjustments.



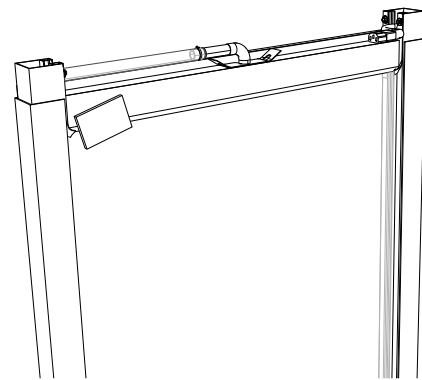
Step 26

Reinstall the Baffle into the Water Distribution Unit and bend the upper copper tabs back into place. Do not force the tabs up. Bend them up until the Baffle will not come out of the Unit, but still has a little room to move.



Step 27

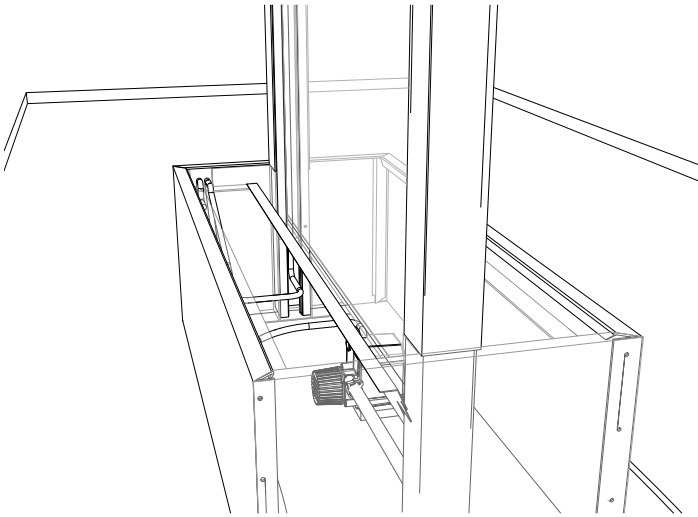
The outer edge adjusting tabs are used to control water flow at the edges of the Panel. If there is a large amount of water flow at one or both edges you may experience a small amount of water dripping off these tabs. If this occurs, simply bend the tabs by hand in to redirect the water onto the Panel. The tabs should be bent in to touch the front of the Water Distribution Unit.



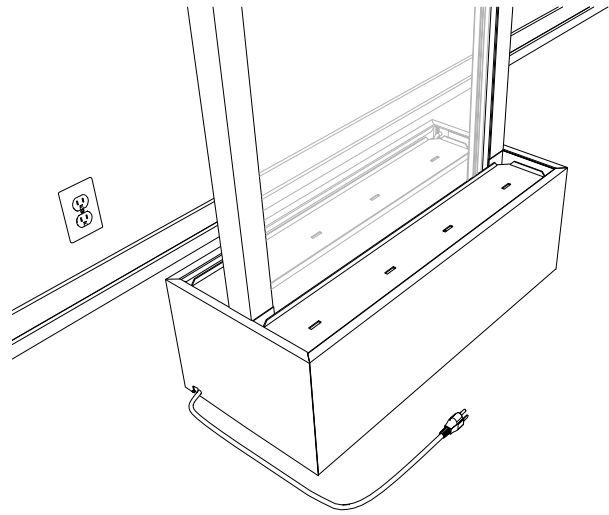
Step 28

Before turning on the Water Feature lightly clean the front surface and top edge of the copper Water Distribution Unit with the supplied Scotch Brite Pad while it is still wet. This will help the water completely cover the Panel. Do not apply the Scotch Brite Pad to glass, mirrors, or custom engraved logos because they can get scratched.

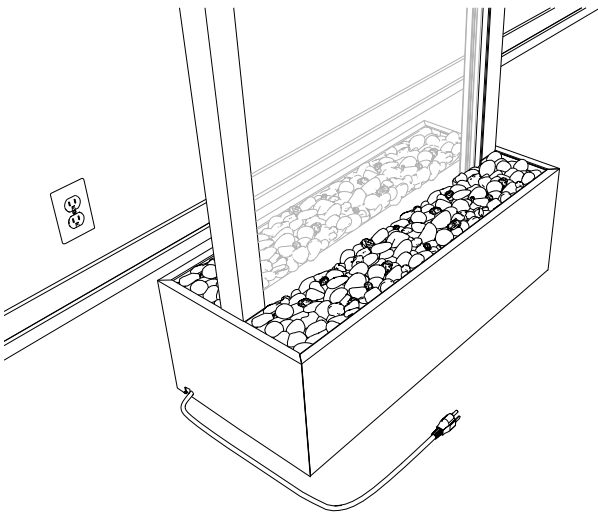
Note: The previous steps may need to be repeated until the desired flow is achieved.



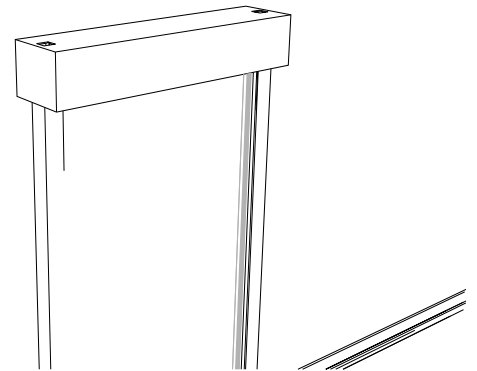
Step 29
Insert the Rear Splash Guard into the Tray and rest it on the lip of the Panel at a slight angle as shown.



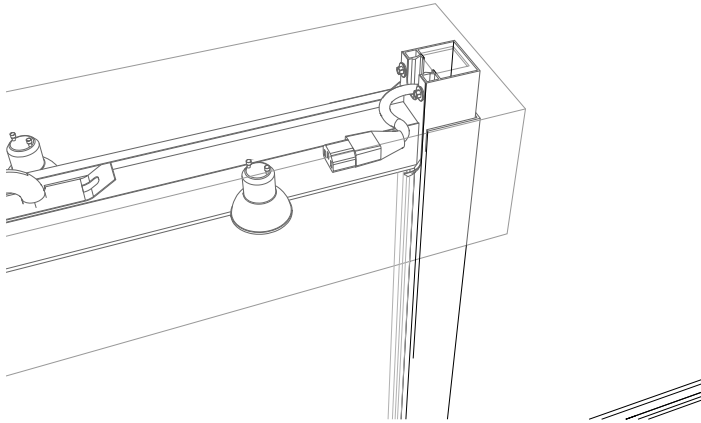
Step 30
Set the Pebble Beach Shelves inside the Center Mount Tray. The corners are clipped to allow Power Cords to pass through.



Step 31
Arrange the Pebbles on the Shelves.
Note: Be sure no Pebbles are touching the water surface as this can cause splashing.



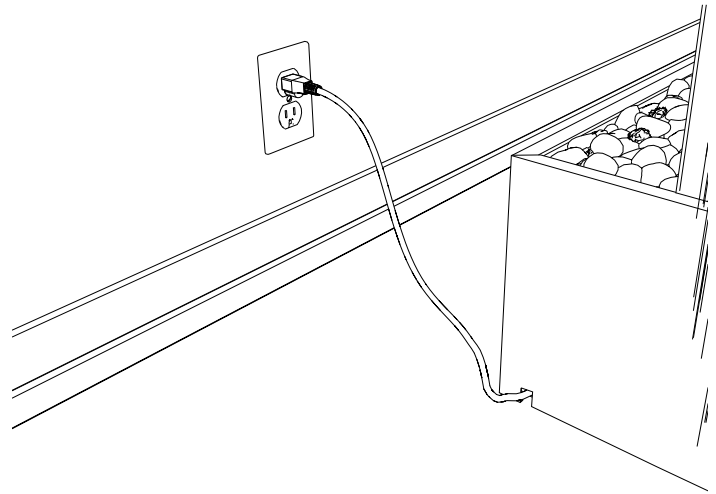
Step 32
Slide the Hood on the top of the Upright Supports.



Step 33

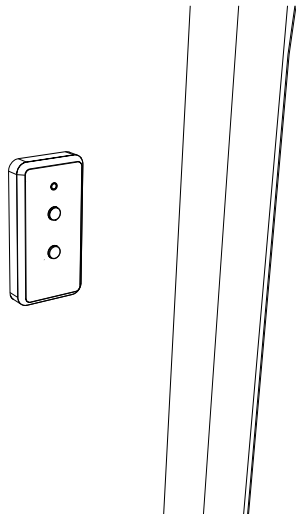
If you have a lit Hood, don't forget to plug it in before you put it on. Once you have attached your lit Hood, install the supplied Light Bulbs.

WARNING: As always, never remove or insert the Power Cords or Light Bulbs while the Water Feature is turned on. Doing so could result in electric shock.



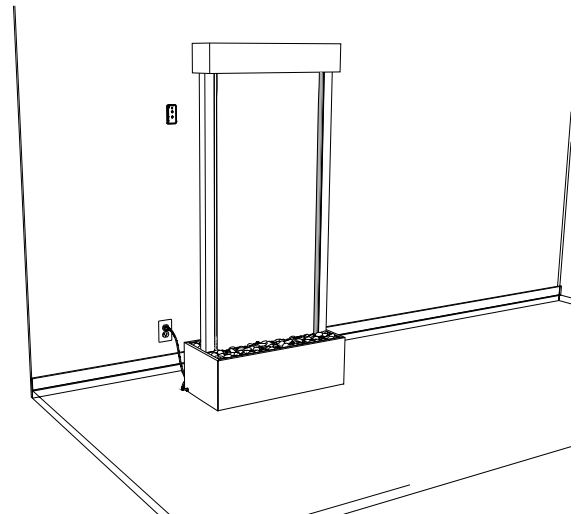
Step 34

Plug the Power Cord into the outlet.



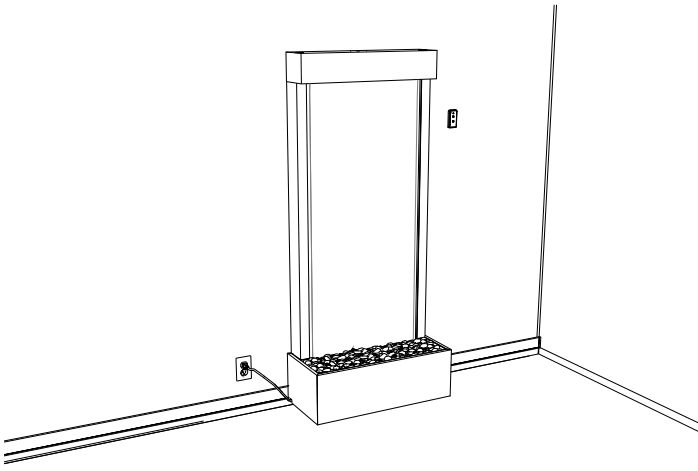
Step 35

The included remote controls the Water Feature and any included Lights.



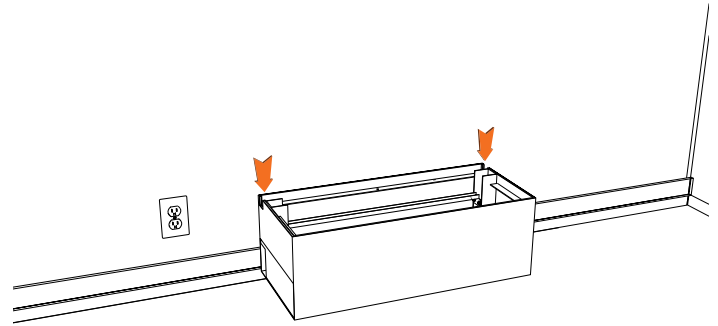
Step 36

This completes the Center Mount Freestanding installation. To continue with the procedure, go to Step 69.



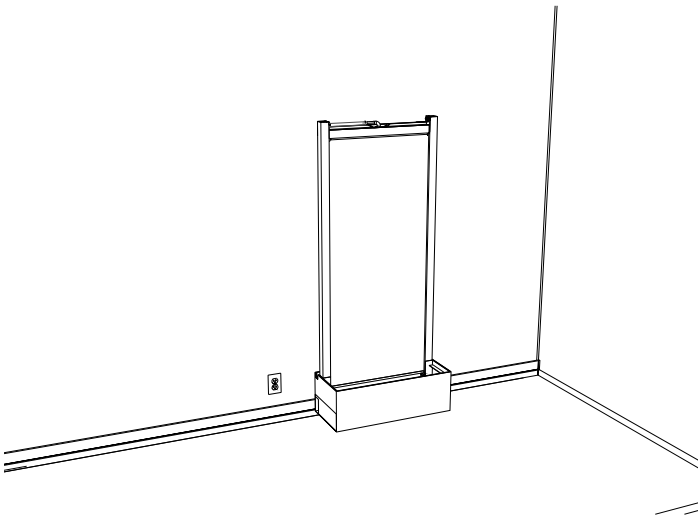
Step 37

The following steps will assist you with installing a Flush Mount Water Feature.



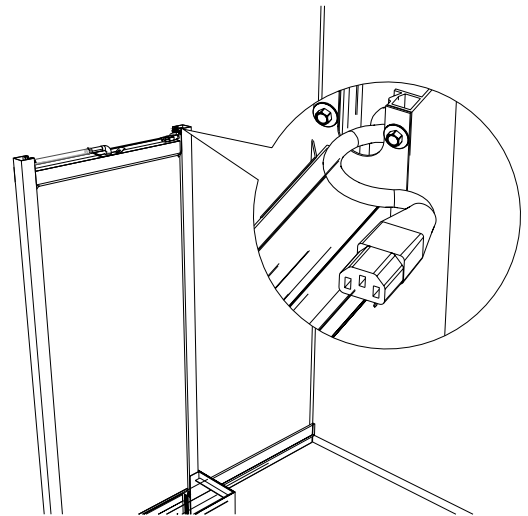
Step 38

Place the Flush Mount Tray in the location you have chosen. Ensure the notches on top are oriented towards the back.



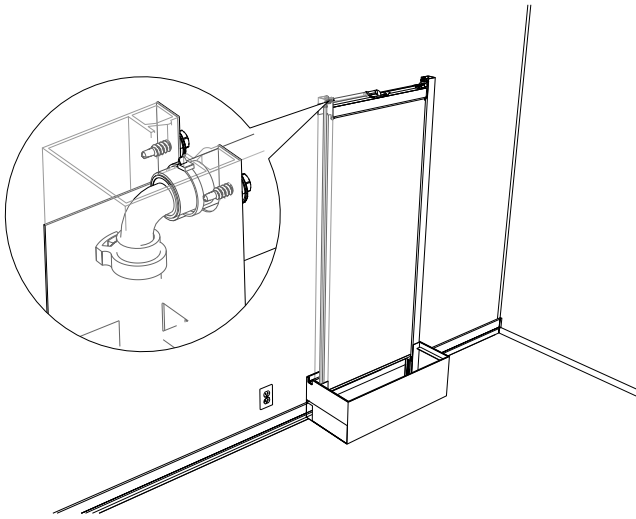
Step 39

Slide the Panel into the slots in the Flush Mount Tray. Ensure the Panel is facing the correct direction.



Step 40

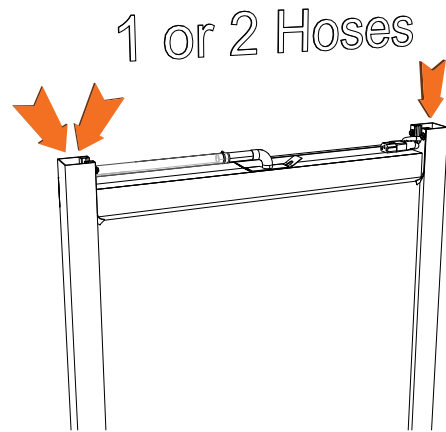
If your model comes with a lighted Hood, you will receive an additional Cord that needs to be fed down the Right Upright Support. Make sure the Plug is fed down first as the Receptor will plug into the Light Bar inside the Hood.



Step 41

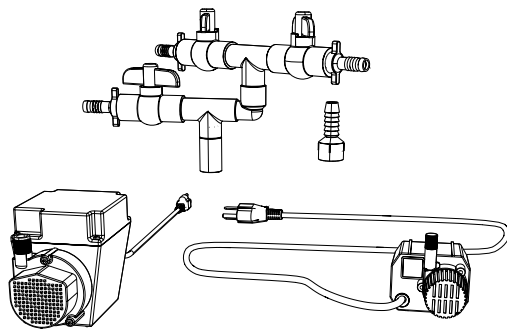
Feed the Hose down the square hole in the Left Side Upright Support. Attach the Hose to the Water Distribution Elbow at the top using (1) Hose Clamp or (1) Zip Tie.

Note: In order to feed the Hose down through the bottom you will need to lift the Panel up just enough to pull it through.



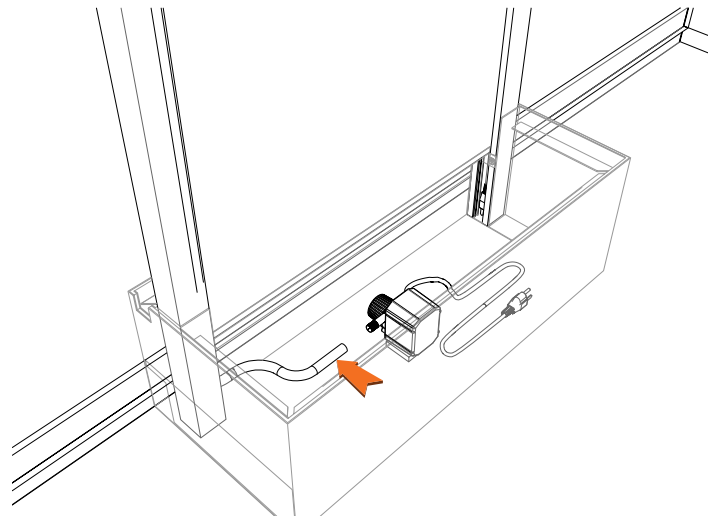
Step 42

Depending on the size of your Water Feature, you may have to add 1 or 2 Hoses down each Upright Support. Please feed all required Hoses down the Upright Support and attach them to the Water Distribution Elbow as needed.



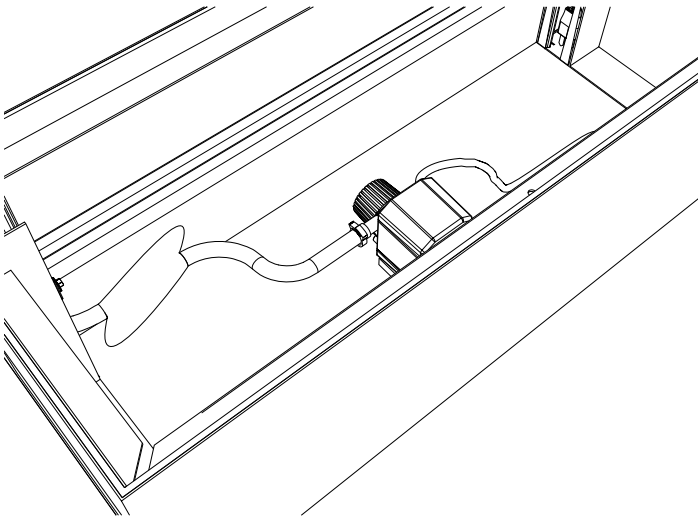
Step 43

The size of your Pump size and style may vary. Attach any applicable adapters or manifold to the Pump at this time.



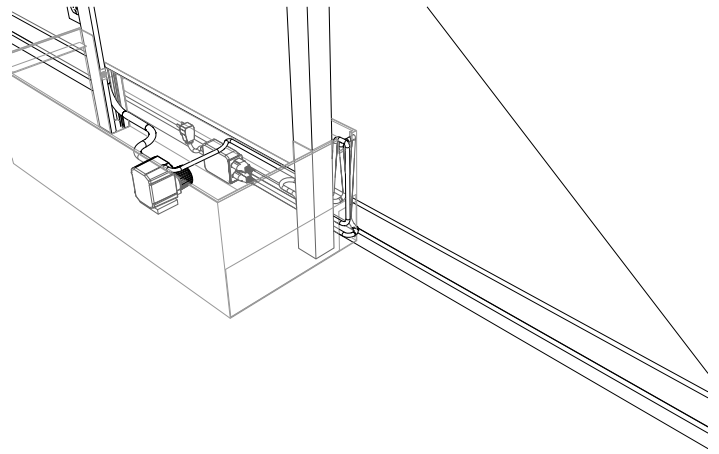
Step 44

Affix the Pump Pad to the bottom of the Water Pump after removing the adhesive covering from the Pad. This will help in quieting the noise of the Pump. Position the Pump in the center of the Tray. Make sure that any Water Nozzles are pointing towards any Hoses.



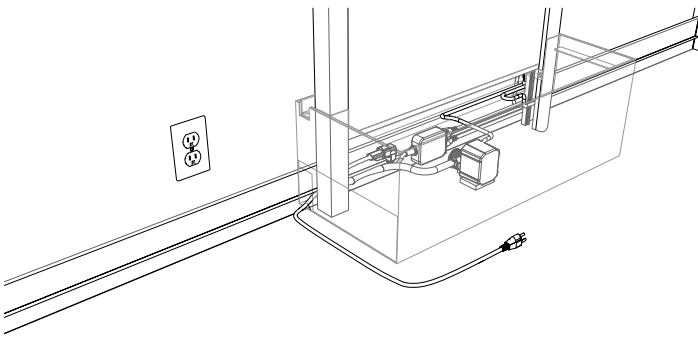
Step 45

Slide the Hose over the Water Nozzle and secure it with a Hose Clamp or Zip Tie. Trim the Hose if needed to avoid it from kinking. Any kinks in the Hose can cause significant water flow issues.



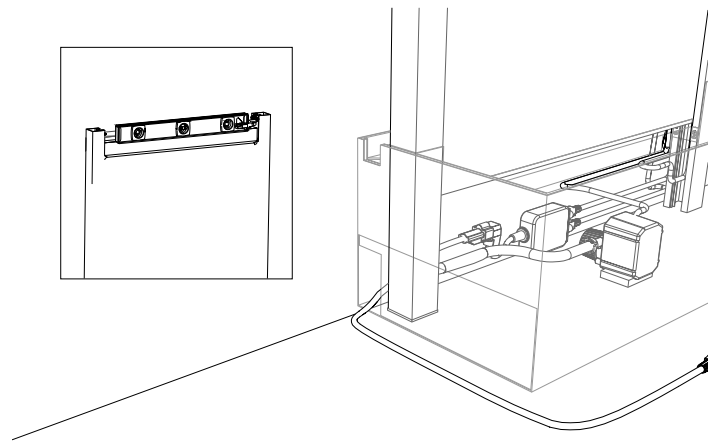
Step 46

Run the Pump Cord under the Panel and over the side of the Tray into the electrical cavity, it should rest in the notch on either the right or left side. Plug in the Pump Cord and Light Cord (if included) into the Remote Receiver. Then feed the Remote Receiver and Cords into the electrical cavity.



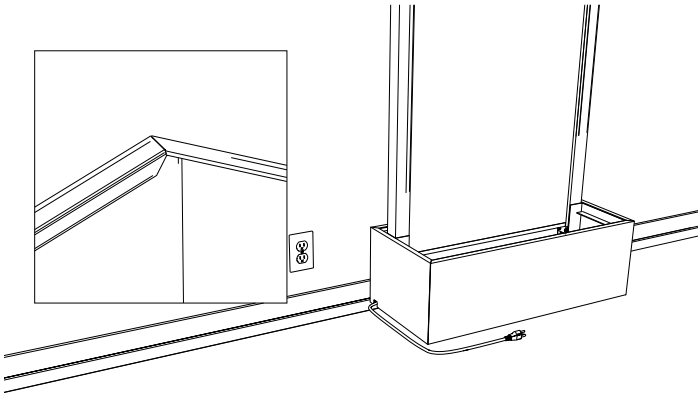
Step 47

Connect the Power Cord to the Remote Receiver.



Step 48

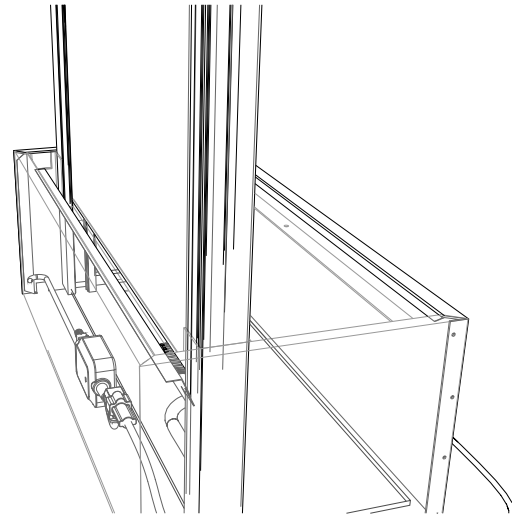
Ensure the Water Feature is level by placing a Level on the front lip of the Water Distribution Unit. Adjust the Unit by using Plastic Leveling Shims as needed under the Left and Right Upright Supports. Continue adjusting until the Unit is level.



Step 49

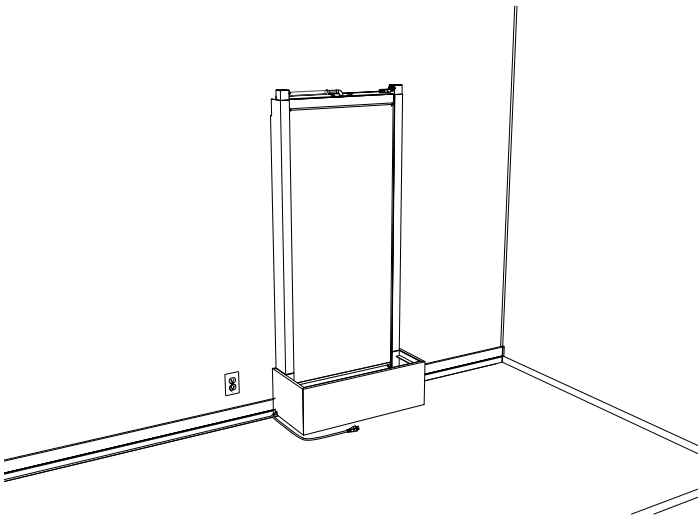
Slide (1) Decorative Tray Cover Panel over the front and back of the Water Feature. Then Slide (1) Decorative Tray Side Panel into place on each side as shown. The Side Panels have a folded metal tab on each side to slide over the lip on each side of the front and back Panels.

Note: Make sure you use the Side Panel on the correct side. The notches should line up with where cords need to exit from.



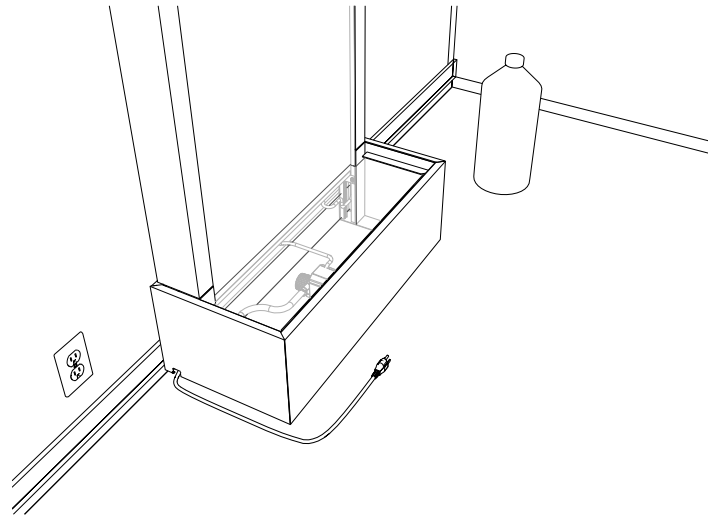
Step 50

Insert the Rear Splash Guard into the Tray and rest it on the lip of the Panel at a slight angle as shown.



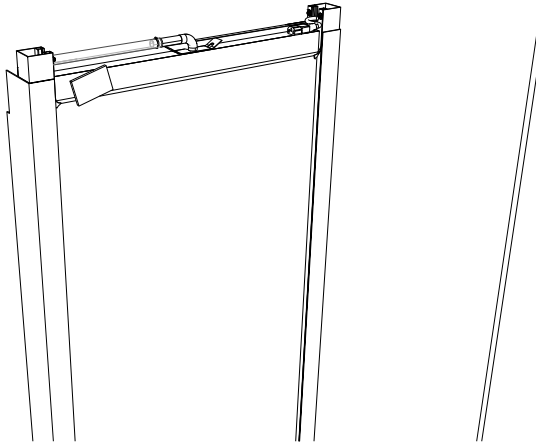
Step 51

Slide the Flush Mount Decorative Trim over the Left and Right Upright Supports.



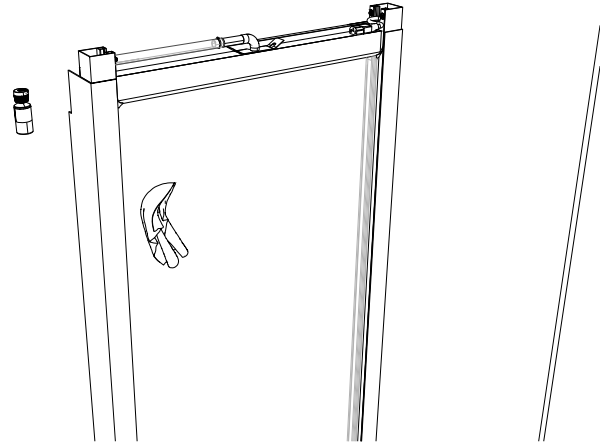
Step 52

Slowly pour Water directly on the Water Surface. Make sure to keep the Water filled above the Pump and no higher than the water fill line on the warning label. Do not fill while it is running as this can lead to overflowing the Liner. Overfilling the Liner forces Water between the Liner and Tray and can cause the Tray to appear as if it is leaking. Note: We recommend always using Distilled Water. Distilled Water will help prolong the life of your Water Feature and make it much easier to maintain.



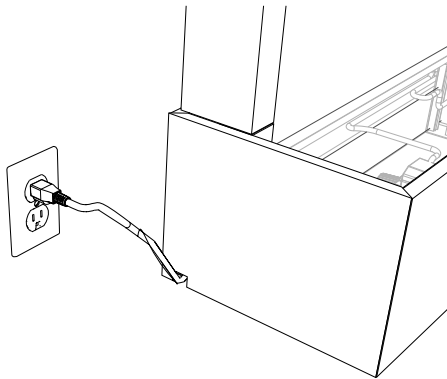
Step 53

Before turning on the Water Feature, lightly go over the copper Water Distribution Unit with the supplied Scotch Brite Pad while it is still wet. This will help the water to completely cover the Panel. If your Water Surface is stone lightly go over the surface with the Scotch Brite Pad. This will help the water completely cover the Panel. Do not apply the Scotch Brite Pad to glass, mirrors, or custom engraved logos because they can get scratched.



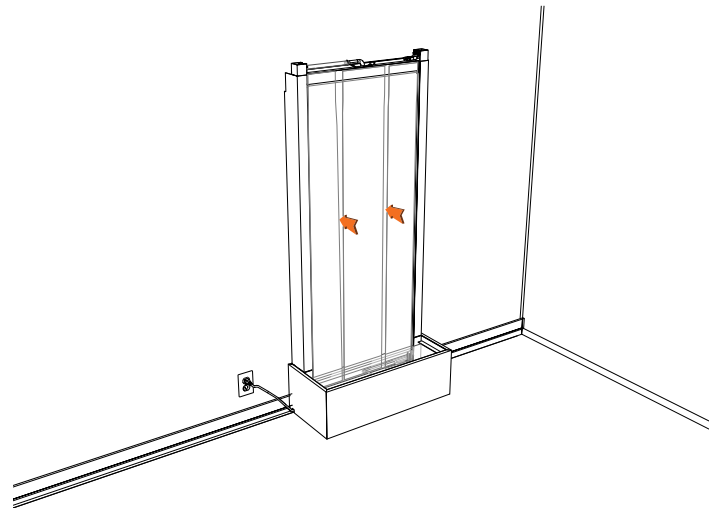
Step 54

Apply Mirror Prep to any mirror or glass surfaces included using a wet Cloth. Ensure to cover the entire surface with the solution. Let the Mirror Prep dry for 2 to 3 minutes, and then remove it with a clean wet Cloth.



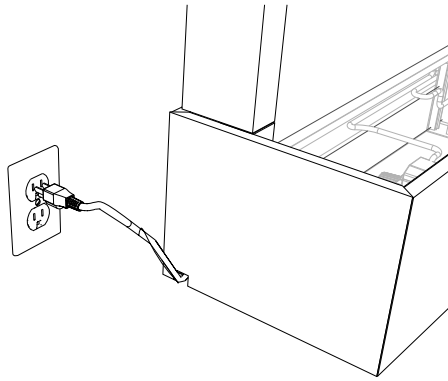
Step 55

Plug the Power Cord into an outlet or extension cord and turn it on. This is for testing purposes only.

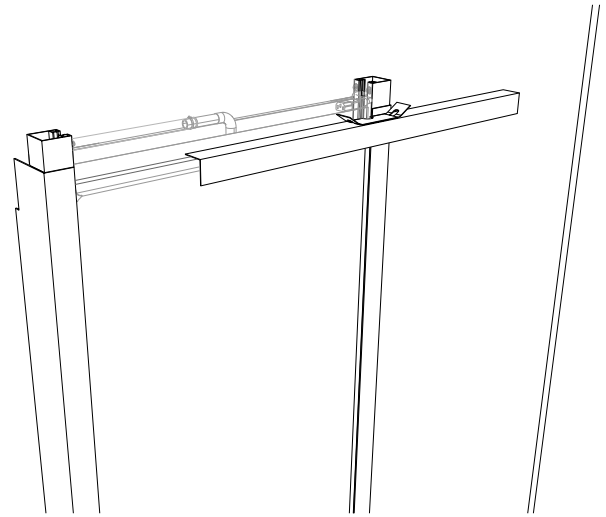


Step 56

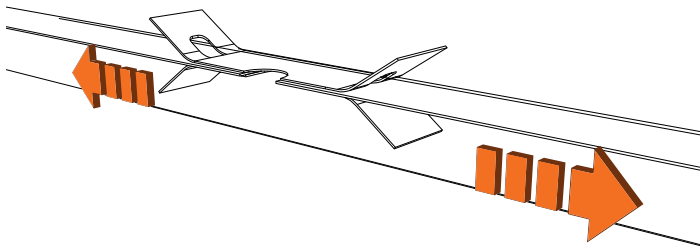
Check for any dry spots. It usually takes 10 to 20 minutes for the entire surface to get completely wet. Do not touch the Water Distribution Unit with your fingers to try and even the water flow, as this can leave natural oils that block the water from flowing over the Distribution Unit.



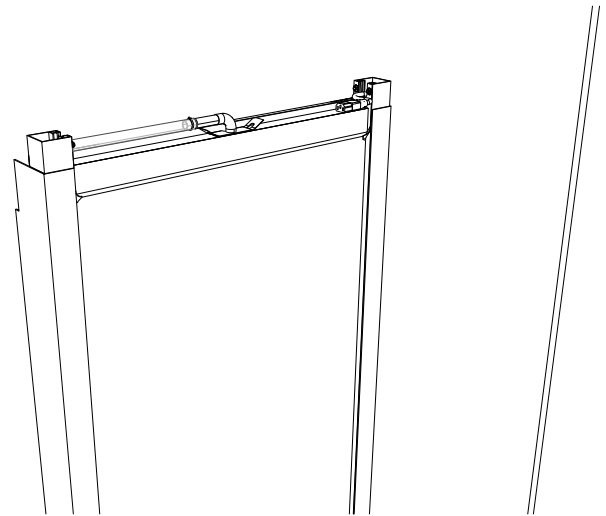
Step 57
Unplug the Pump.



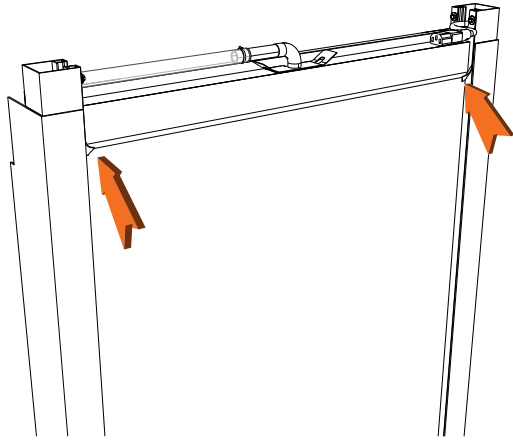
Step 58
Make adjustments to the water flow by removing the white Baffle from the Water Distribution Unit. To do so, flatten the upper set of copper tabs on the Baffle, this will allow it to roll up and out of the Distribution Unit.



Step 59
On the underside of the Baffle you will notice an additional set of copper tabs. These tabs act as small dams for the water. The water enters the Distribution Unit directly in the middle of these two tabs. The tabs can be adjusted in or out to direct the water flow to each side or in the middle. These two tabs are only used for water flow adjustments.

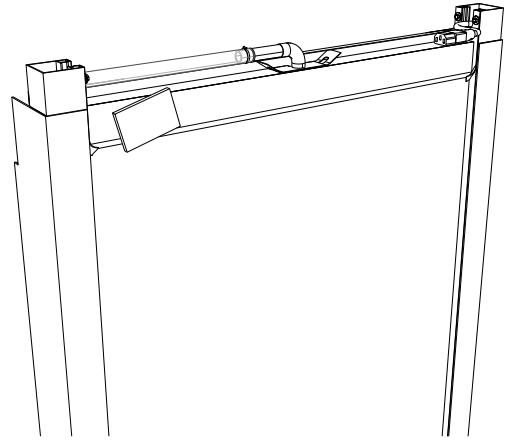


Step 60
Reinstall the Baffle into the Water Distribution Unit and bend the upper copper tabs back into place. Do not force the tabs up. Bend them up until the Baffle will not come out of the Unit, but still has a little room to move.



Step 61

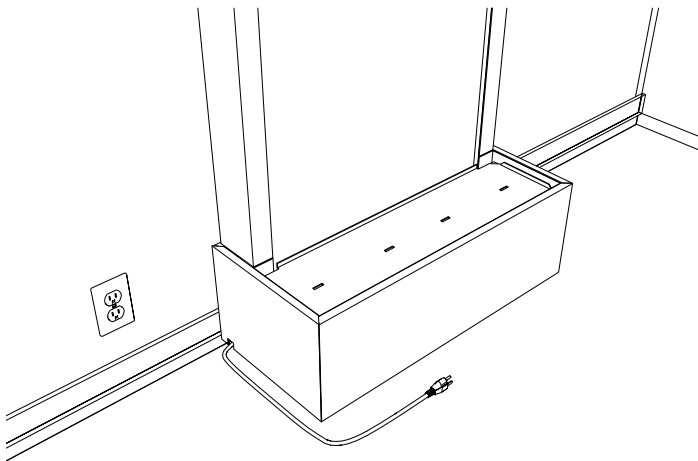
The outer edge adjusting tabs are used to control water flow at the edges of the Panel. If there is a large amount of water flow at one or both edges you may experience a small amount of water dripping off these tabs. If this occurs, simply bend the tabs by hand in to redirect the water onto the Panel. The tabs should be bent in to touch the front of the Water Distribution Unit.



Step 62

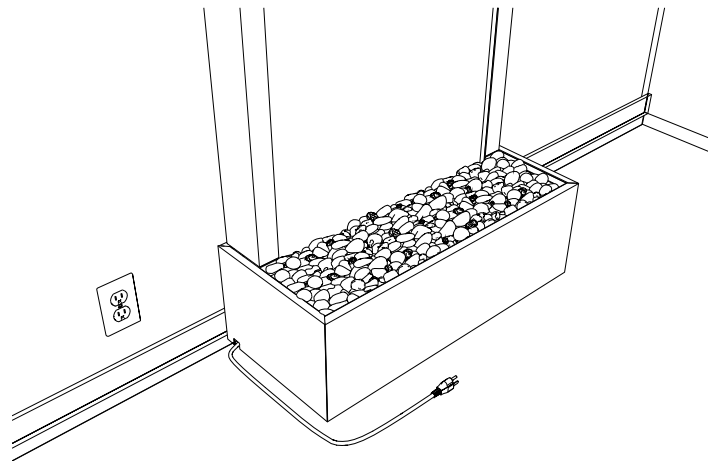
Before turning on the Water Feature clean the front surface and top edge of the copper Water Distribution Unit with the supplied Scotch Brite Pad while it is still wet. If your Water Surface is stone lightly go over the surface with the Scotch Brite Pad. This will help the water completely cover the Panel. Do not apply the Scotch Brite Pad to glass, mirrors, or custom engraved logos because they can get scratched.

Note: The previous steps may need to be repeated until the desired flow is achieved.



Step 63

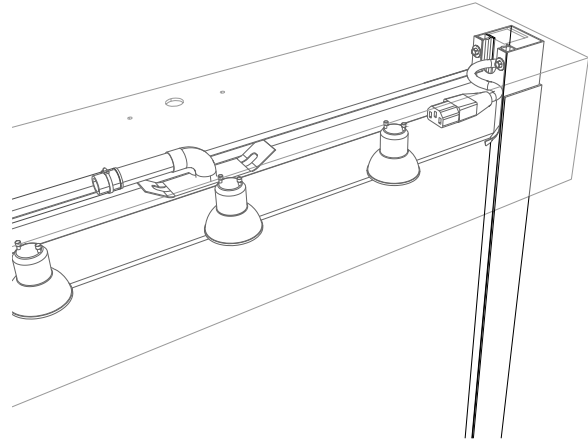
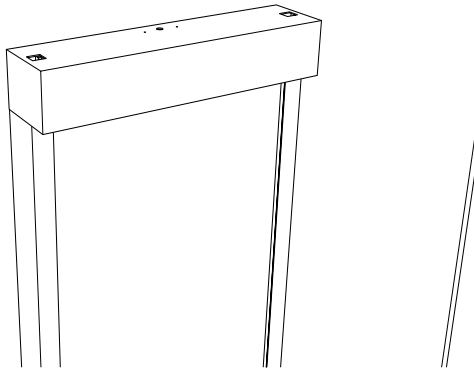
Set the Pebble Beach Shelf inside the Flush Mount Tray.



Step 64

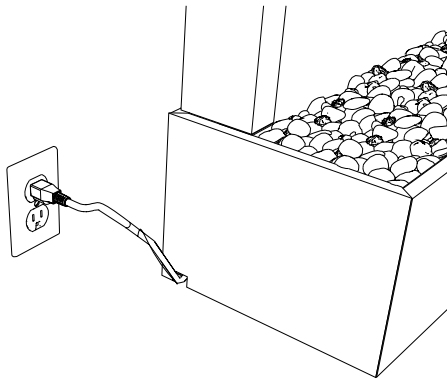
Arrange the Pebbles on the Shelf.

Note: Be sure no Pebbles are touching the water surface as this can cause splashing.

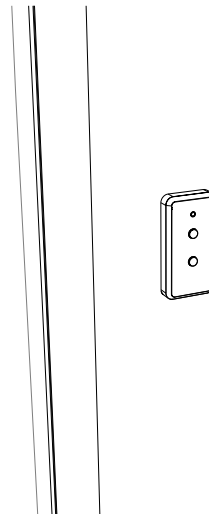


Step 65
Slide the Hood on the top of the Upright Supports.

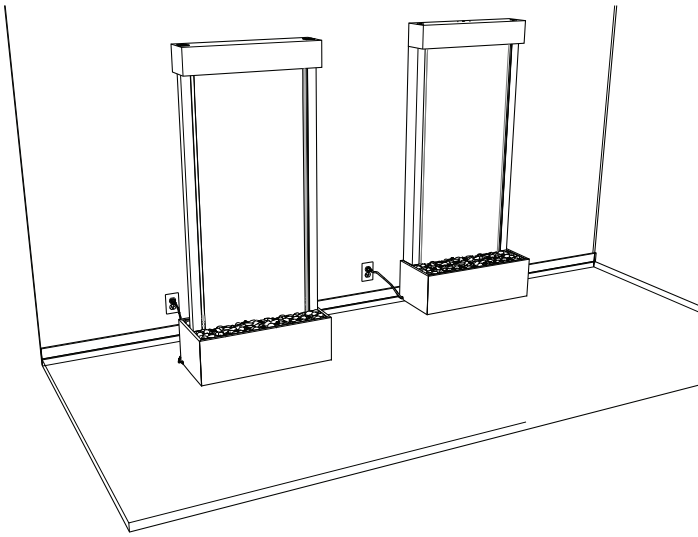
Step 66
If you have a lit Hood, don't forget to plug it in before you put it on. Once you have attached your lit Hood, install the supplied Light Bulbs.
WARNING: As always, never remove or insert the Power Cords or Light Bulbs while the Water Feature is turned on. Doing so could result in electric shock.



Step 67
Plug the Power Cord into the outlet.



Step 68
The included remote controls the Water Feature and any included Lights.



Step 69

Congratulations, this completes the installation of a Freestanding Adagio Water Feature.