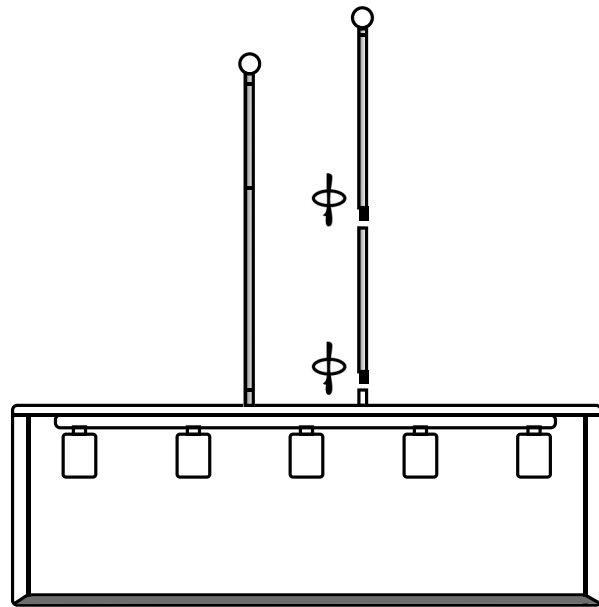
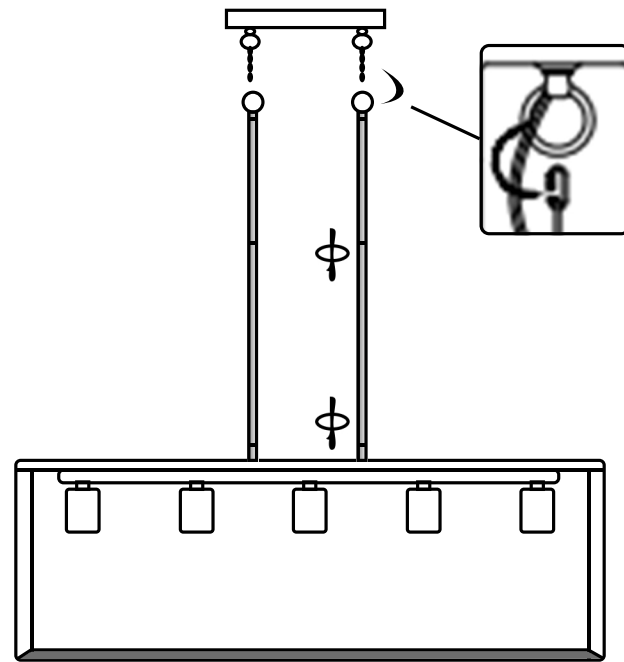


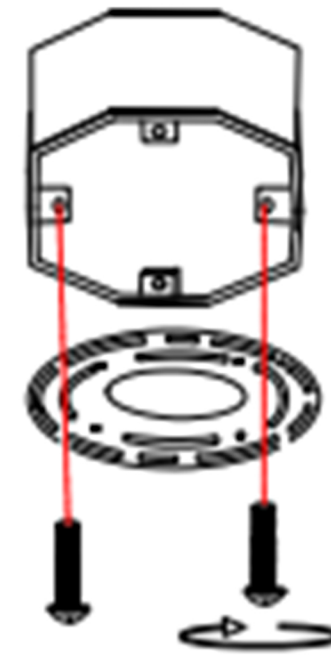
Model 48219



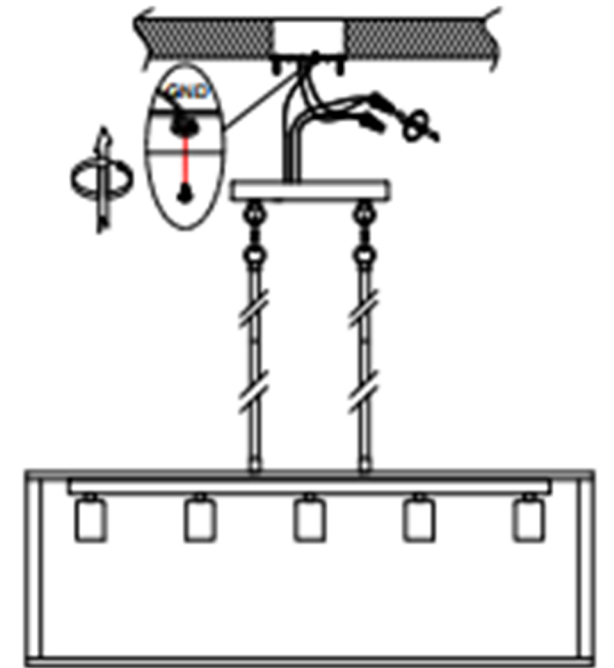
1. Connect the lamp poles after threading the wires through the poles and tighten them.



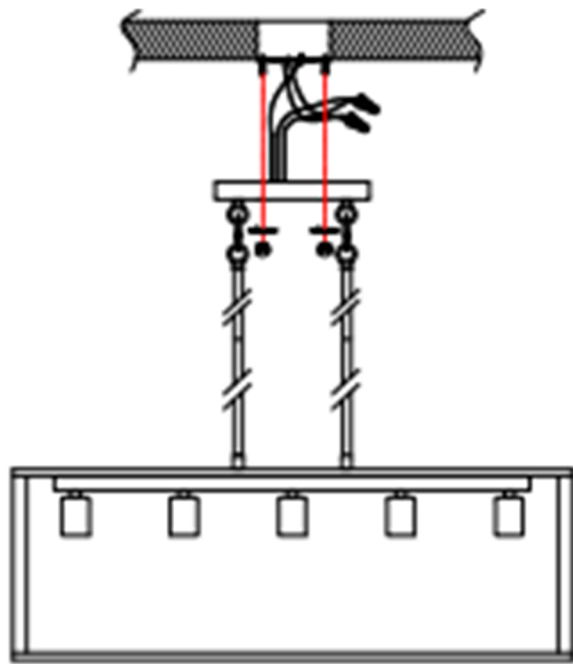
2. After threading the wires through the lamp base, connect the base to the lamp pole with a quick link.



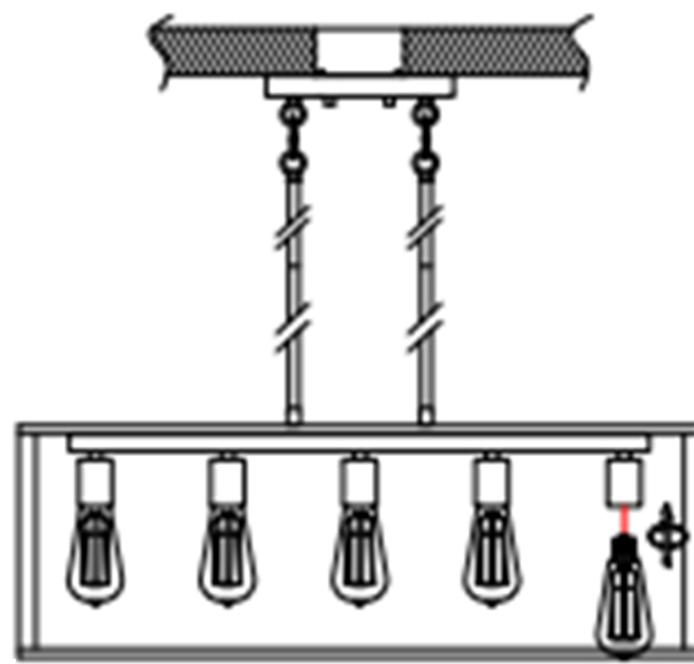
3. Use 2 long screws to install the hanging board in the junction box.



4. Wire the device by matching the colors of the wires. A total of 3 wires: Live wire Neutral wire, and Ground wire. Cover the connection by tightening the wiring cap. To avoid electric shock, please do not let the copper wire expose.



5. Install the lamp base on the hanging board and tighten them with the short screws on the left and right sides.



6. Install 5 E26 bulbs (Note: bulb is not included).
7. Turn on the power switch and check if the fixture is working properly.

- | | | | |
|----|--|---------------|------------|
| 1. | | Long screws | 2PCS |
| 2. | | Hanging board | 1PCS |
| 3. | | Wiring cap | 3PCS |
| 4. | | Lamp base | 1PCS |
| 5. | | Short screws | 2PCS |
| 6. | | Lamp poles | 20in 4PCS |
| 7. | | Lamp poles | 9.8in 4PCS |
| 8. | | Quick link | 2PCS |
| 9. | | Lamp body | 1PCS |

Note:
1 This product is suitable for 120V voltage, please cut off the power supply before installation.
2. Take the lamps and accessories out of the packing box and assemble them according to the installation schematic diagram. Please ensure the firmness and reliability of installation, so as not to prevent the lamps from falling off and hurting yourself or others.
3. Do not use gasoline or water to wipe the lamps and lanterns, do not arbitrarily pull and twist the wire in order to avoid the danger of bad contact fire and electric shock, clean the lamps and lanterns with a clean soft cloth, there will be temperature attention to prevent burns when the lamps and lanterns work.