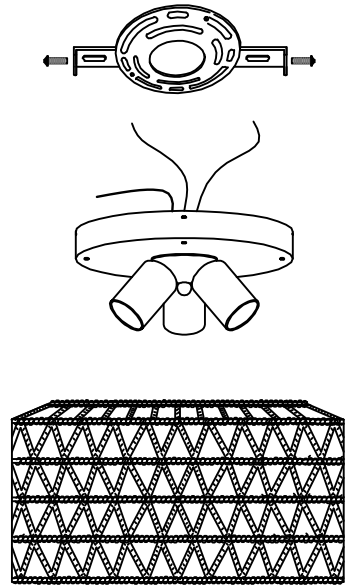
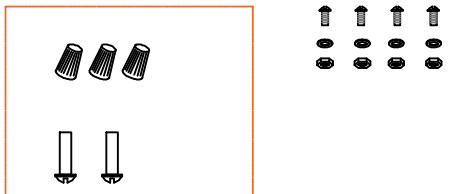


Parts

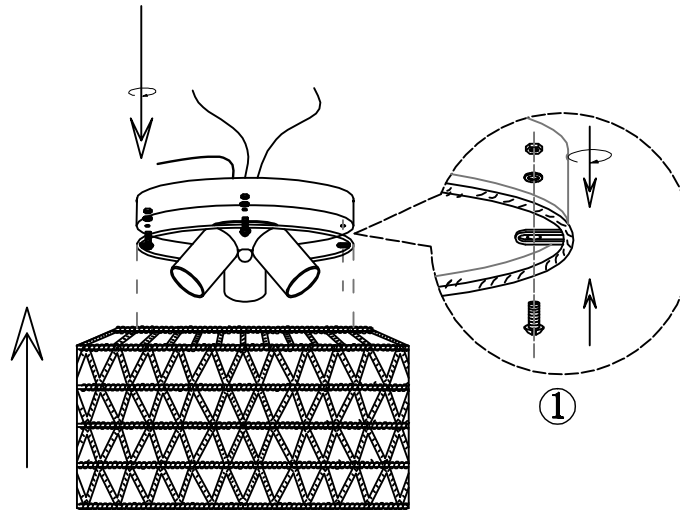


BEFORE INSTALLATION:

1. Shut off power at the fuse box or circuit breaker box and remove the old fixture including the mounting hardware.
2. Carefully unpack your new fixture and lay out all the parts in a clear area. Take care not to misplace any small parts.

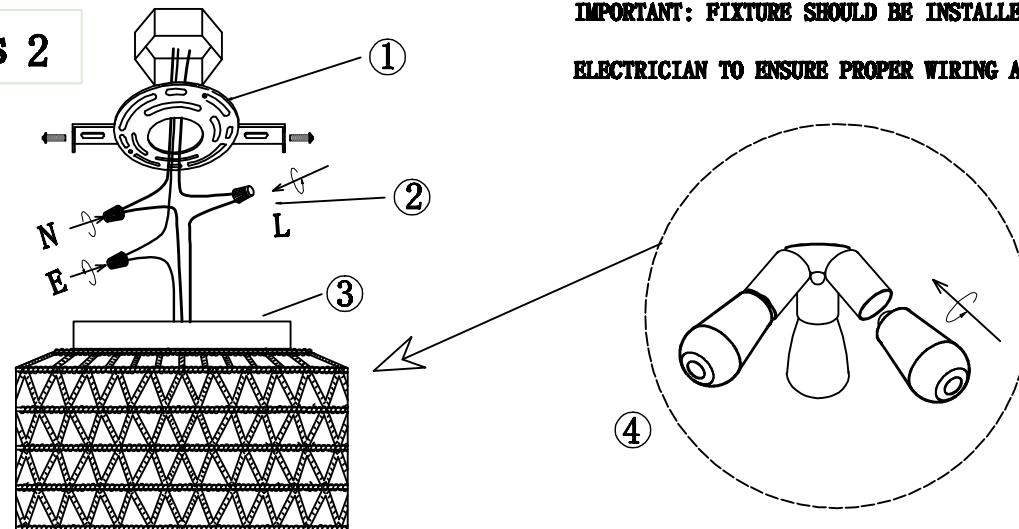


Steps 1



1. As shown in the picture, install the ceiling box and the lampshade together and fix them with screws.

Steps 2



1. Loosen two decorative nuts on the canopy, then attach the mounting plate to your ceiling junction box with two mounting screws. Note: the side of mounting plate marked "GND" must face out.
2. Connect the electrical wires as shown in Fig. 2. Make sure that all wire connectors are secured. If your junction box has a ground wire (green or bare copper), connect the fixture's ground wire to it. Otherwise, connect the fixture's ground wire directly to the mounting plate using the green screw provided.
3. Tuck all wires into the junction box, and assemble the canopy to the mounting plate with two screws, then lock with two decorative nuts.
4. Install an E26 bulb up to 60 watts or CFL or LED equivalent (NOT INCLUDED) in accordance with the fixtures specification. (DO NOT EXCEED THE MAXIMUM WATTAGE RATING!) (NE PAS DEPASSER LA PUISSANCE NOMINALE MAXIMALE!)
5. Your installation is now complete. Return power to the junction box and test the fixture.

IMPORTANT: FIXTURE SHOULD BE INSTALLED BY A QUALIFIED ELECTRICIAN TO ENSURE PROPER WIRING AND INSTALLATION.