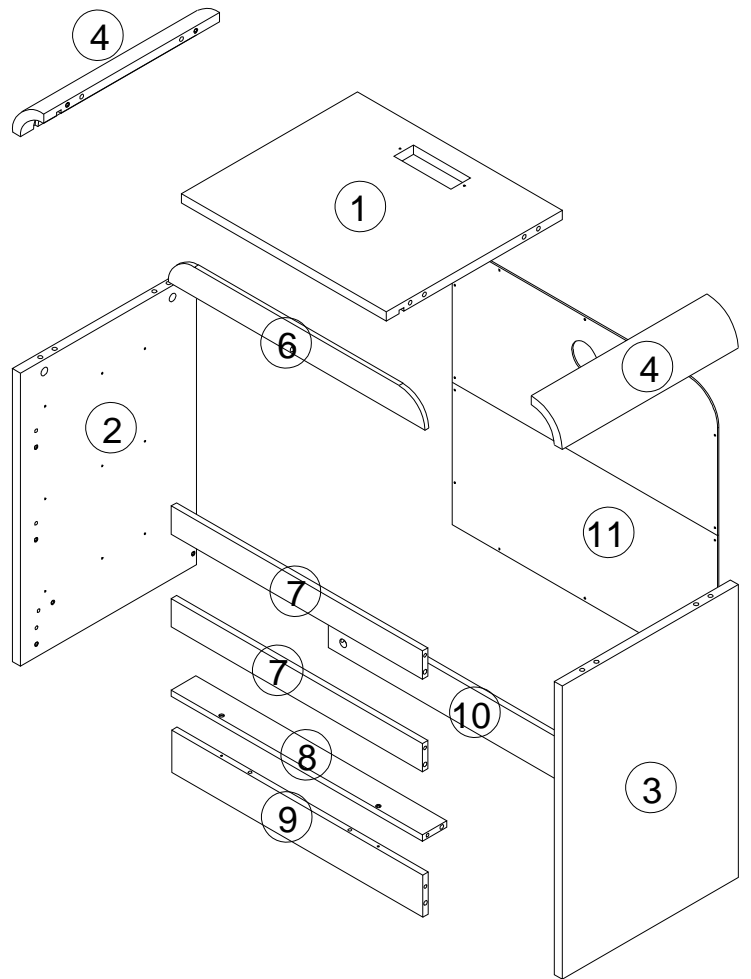
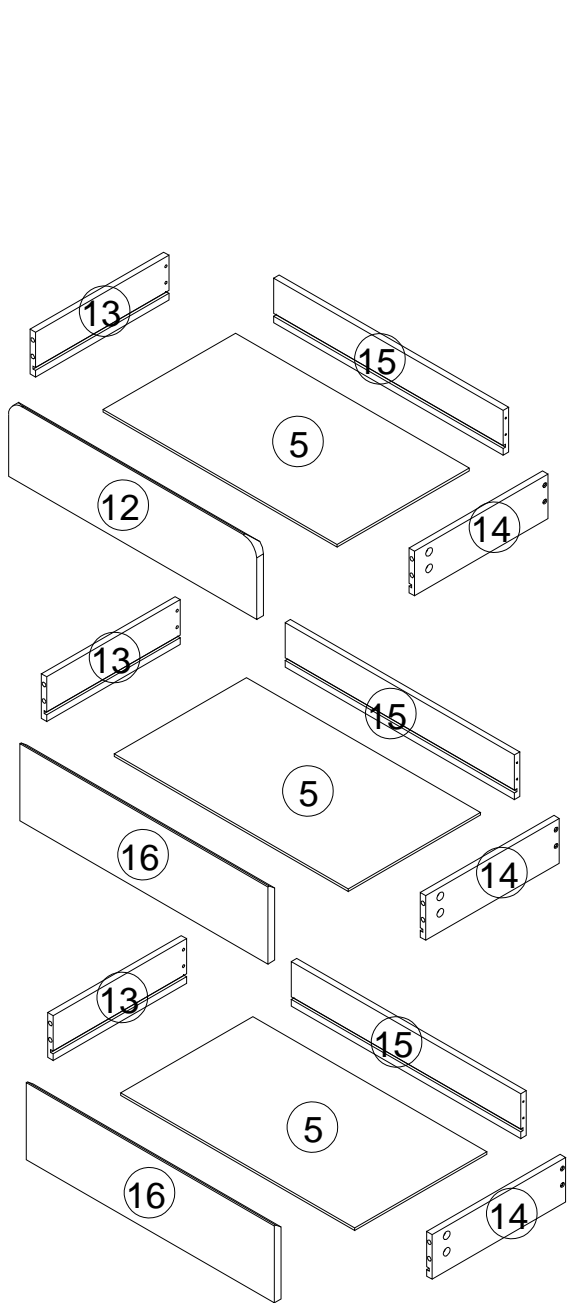

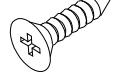
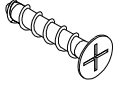

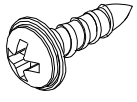
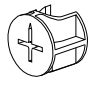
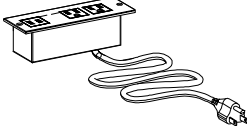
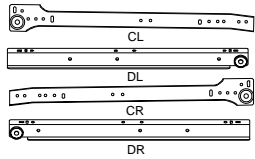
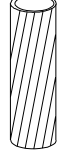
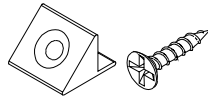
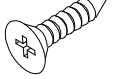


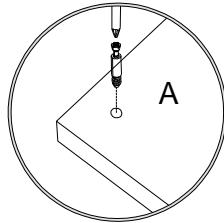
ASSEMBLY INSTRUCTIONS



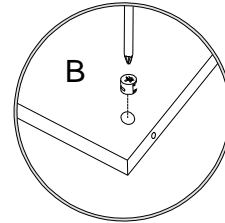


CODE	DESCRIPTION	QTY
1	Top Panel	1
2	Left Side Panel	1
3	Right Side Panel	1
4	Bent Wood Board	2
5	Drawer Bottom Panel	3
6	Upper Front Strip	1
7	Front Slat	2
8	Bottom Crossbar	1
9	Front Footboard	1
10	Back Footboard	1
11	Back Panel	1
12	Upper Drawer Top Panel	1
13	Drawer Left Side Panel	3
14	Drawer Right Side Panel	3
15	Drawer Back Panel	3
16	Lower Drawer Top Panel	2

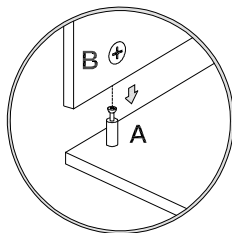
<p>Ø6X30MM</p>  <p>(A) 12X+1</p>	<p>Ø3X12MM</p>  <p>(B) 30X+2</p>	<p>Ø4X35MM</p>  <p>(C) 14X+1</p>	 <p>(D) 30X+2</p>
<p>Ø3X12MM</p>  <p>(F) 14X+1</p>	<p>Ø15X10MM</p>  <p>(G) 30X+2</p>	 <p>(H) 1X</p>	 <p>(L) 3X</p>
<p>Ø8X30MM</p>  <p>(M) 8X+1</p>	 <p>(P) 2X</p>	<p>Ø3X12MM</p>  <p>(Q) 2X</p>	



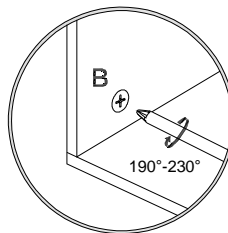
1. Screw cam bolt into panel



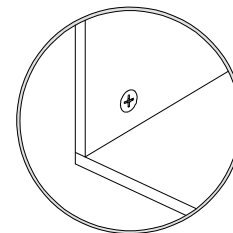
2. Push cam into panel - arrow feature on cam top points to panel edge



3. Align cam bolt(s) with cam(s) and insert all the way into cross-bored hole(s)

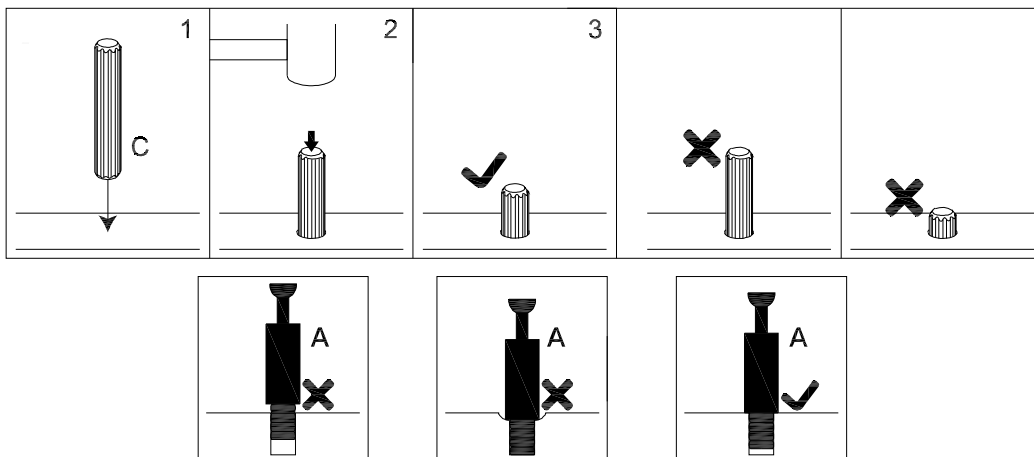


4. Rotate cam(s) clockwise 190°-230° to lock panels together



5. Panels should be tight against each other and connection should be rigid

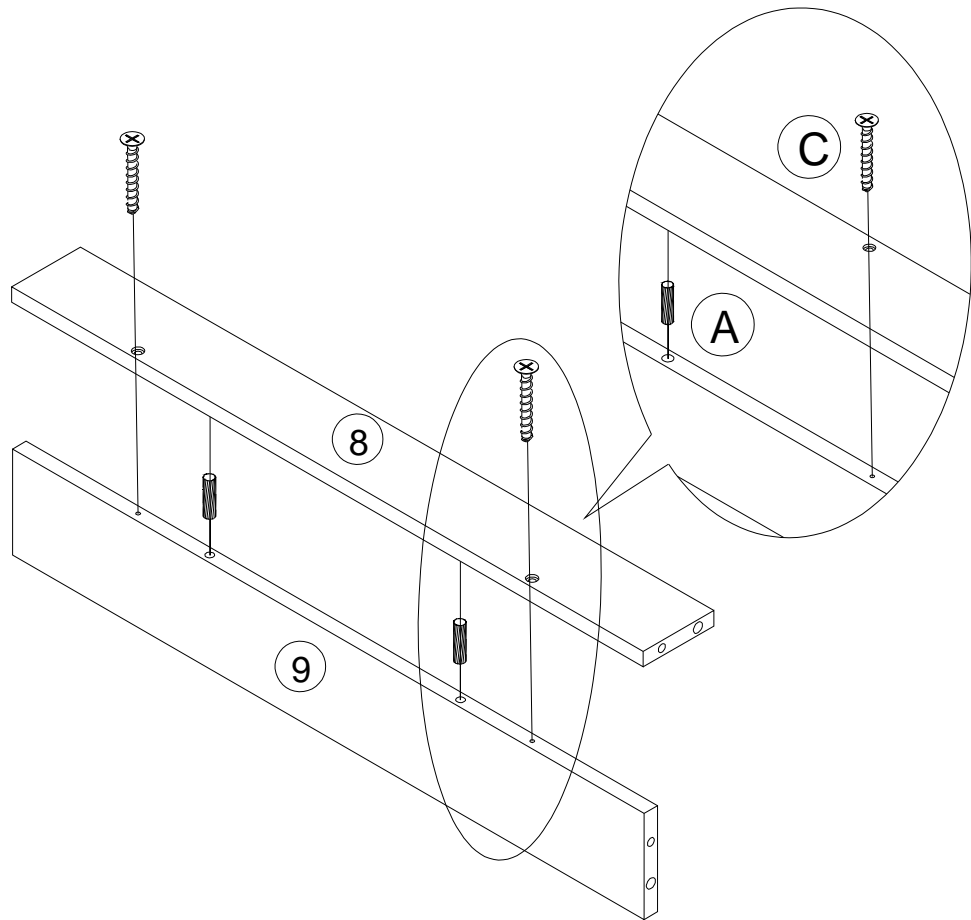
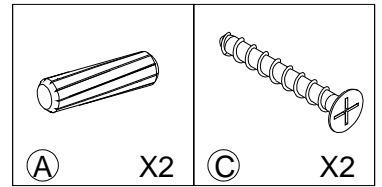
Insert the wood dowel [C] at least half way by tapping lightly with a rubber mallet, IF NECESSARY.



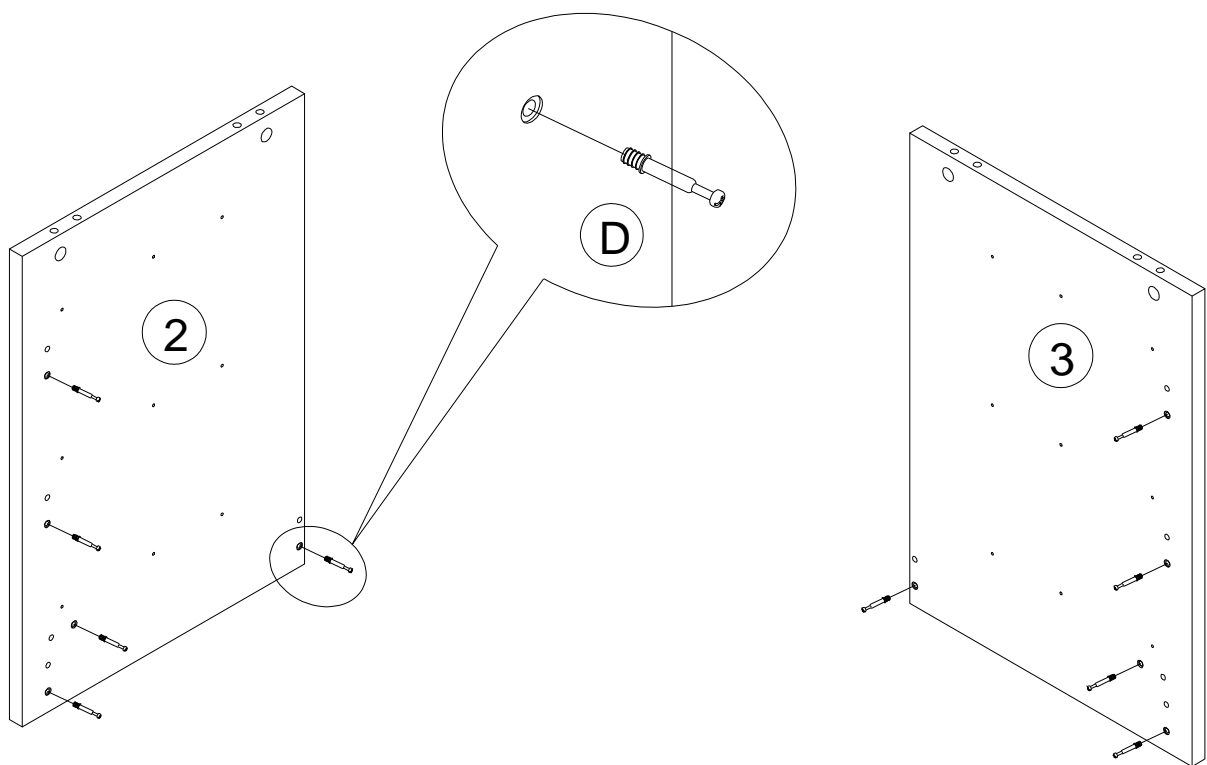
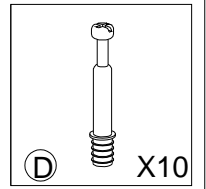
⚠ WARNING

- Unit must be placed on a level surface or leveled with included hardware (when applicable).
- Do not sit or stand on or allow children to climb, sit or stand on the assembled product.
- For safety reasons, it is imperative that this unit be mounted to the wall.
- Do not use without installing the tip restraint.
- Unit can tip over causing severe injury or death.
- Do not exceed the recommended weight limits.
- Evenly distribute the weight on each level and always keep the heavier loads on the bottom.
- Before cutting, drilling or hammering into any wall or floor surface, verify the location of electrical, plumbing and gas lines. Cutting may cause serious injury.

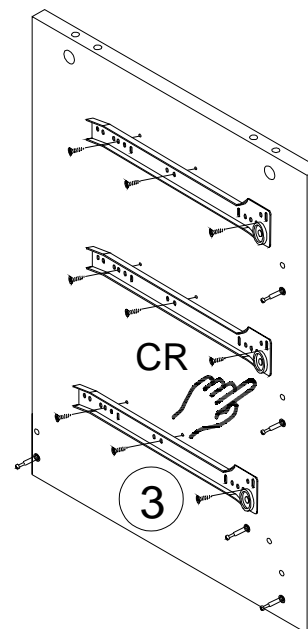
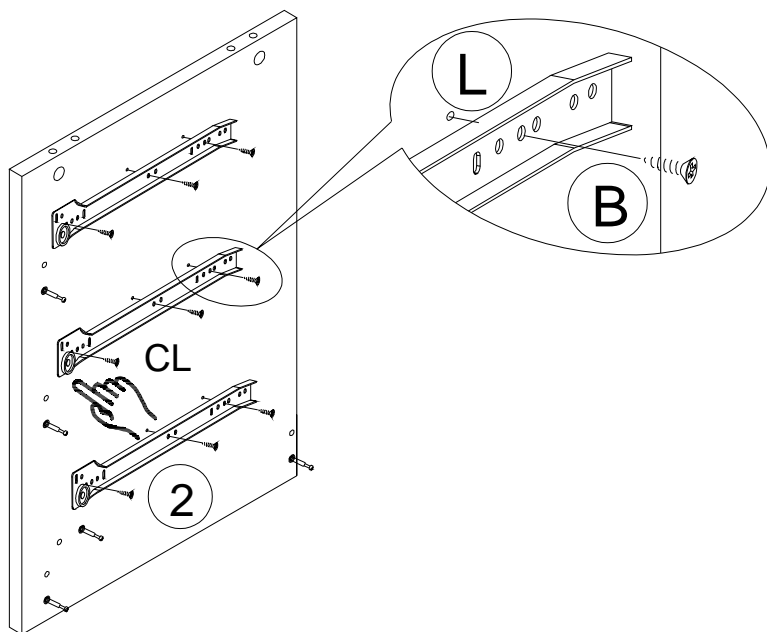
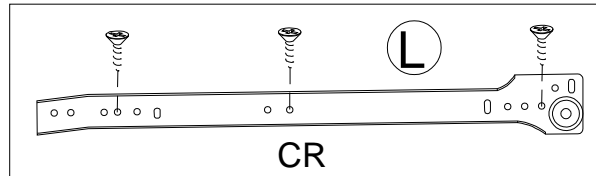
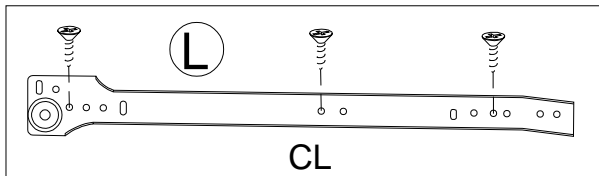
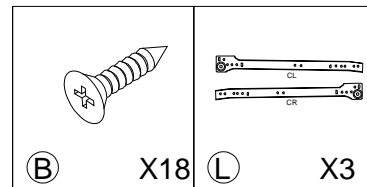
STEP 1



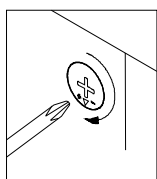
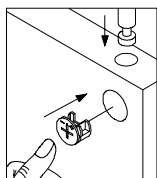
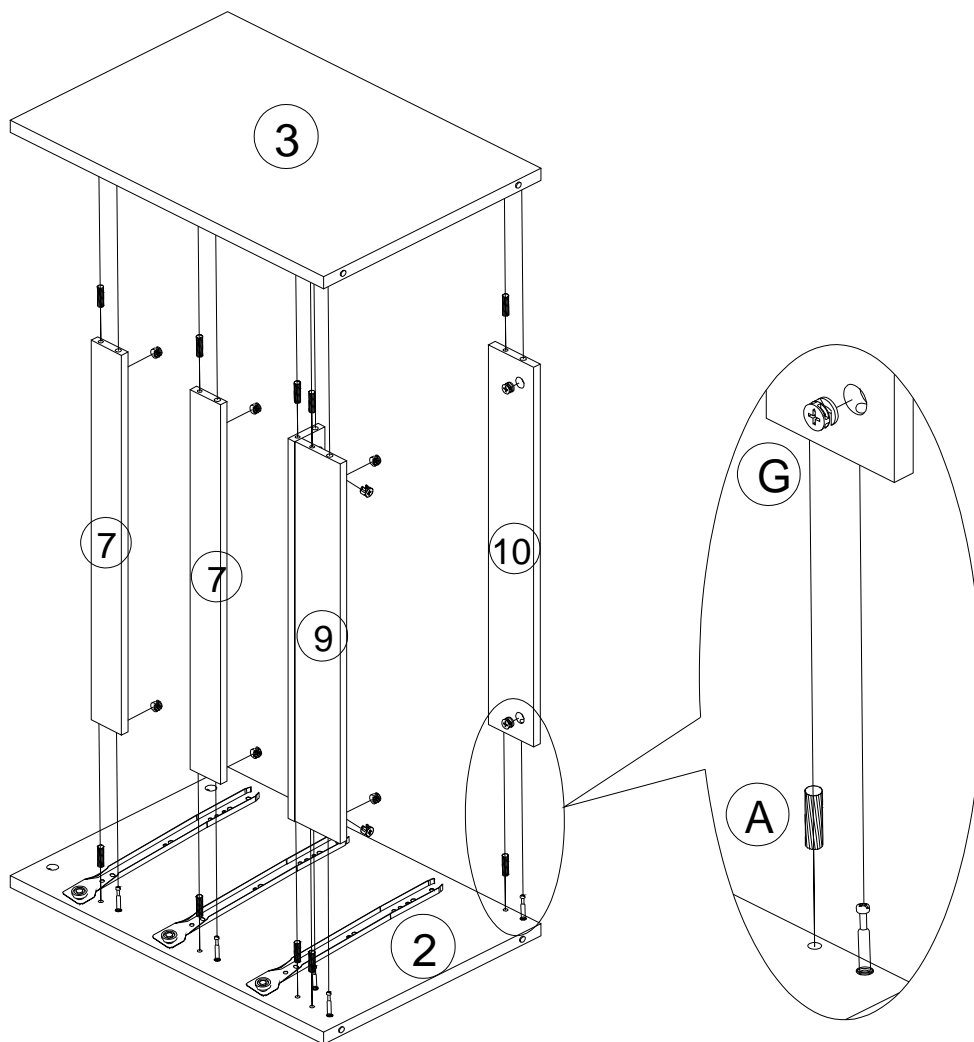
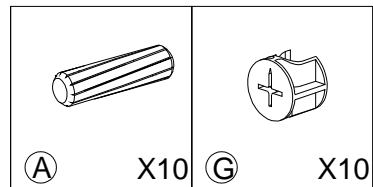
STEP 2



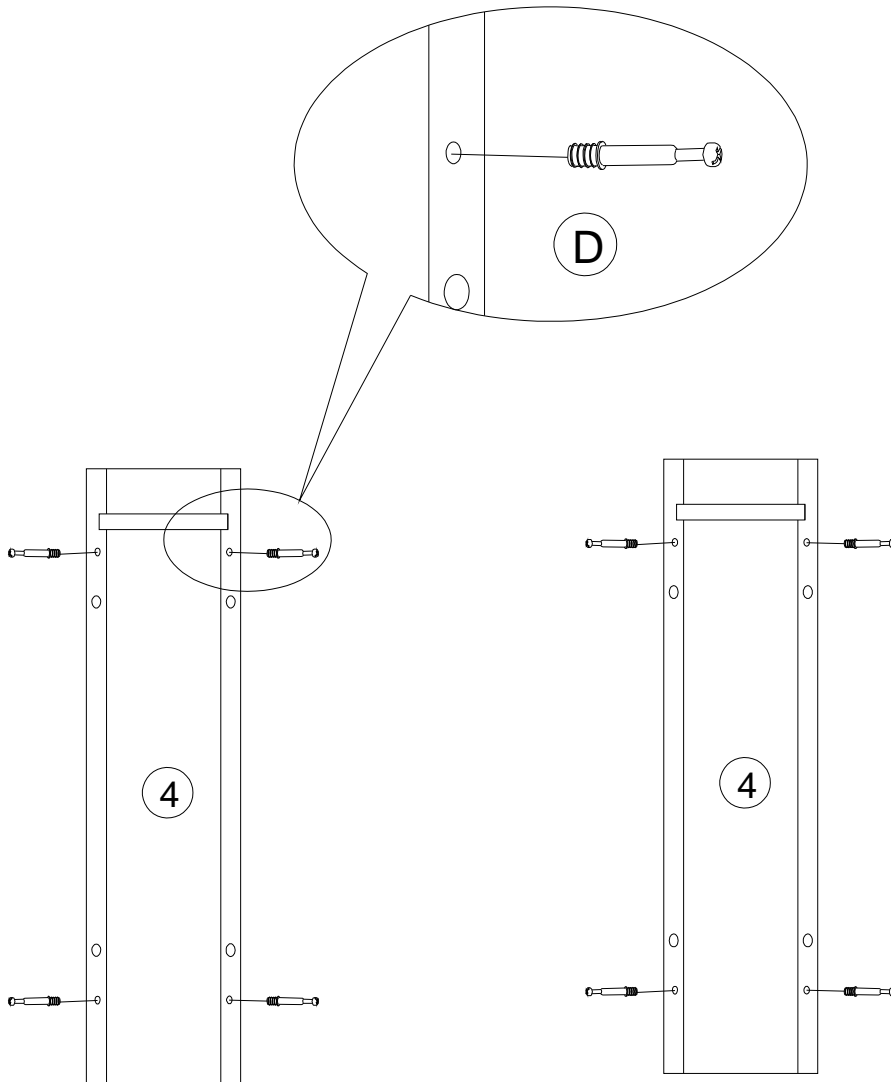
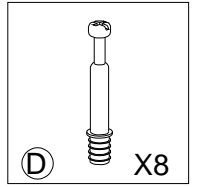
STEP 3



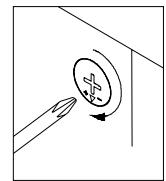
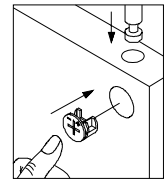
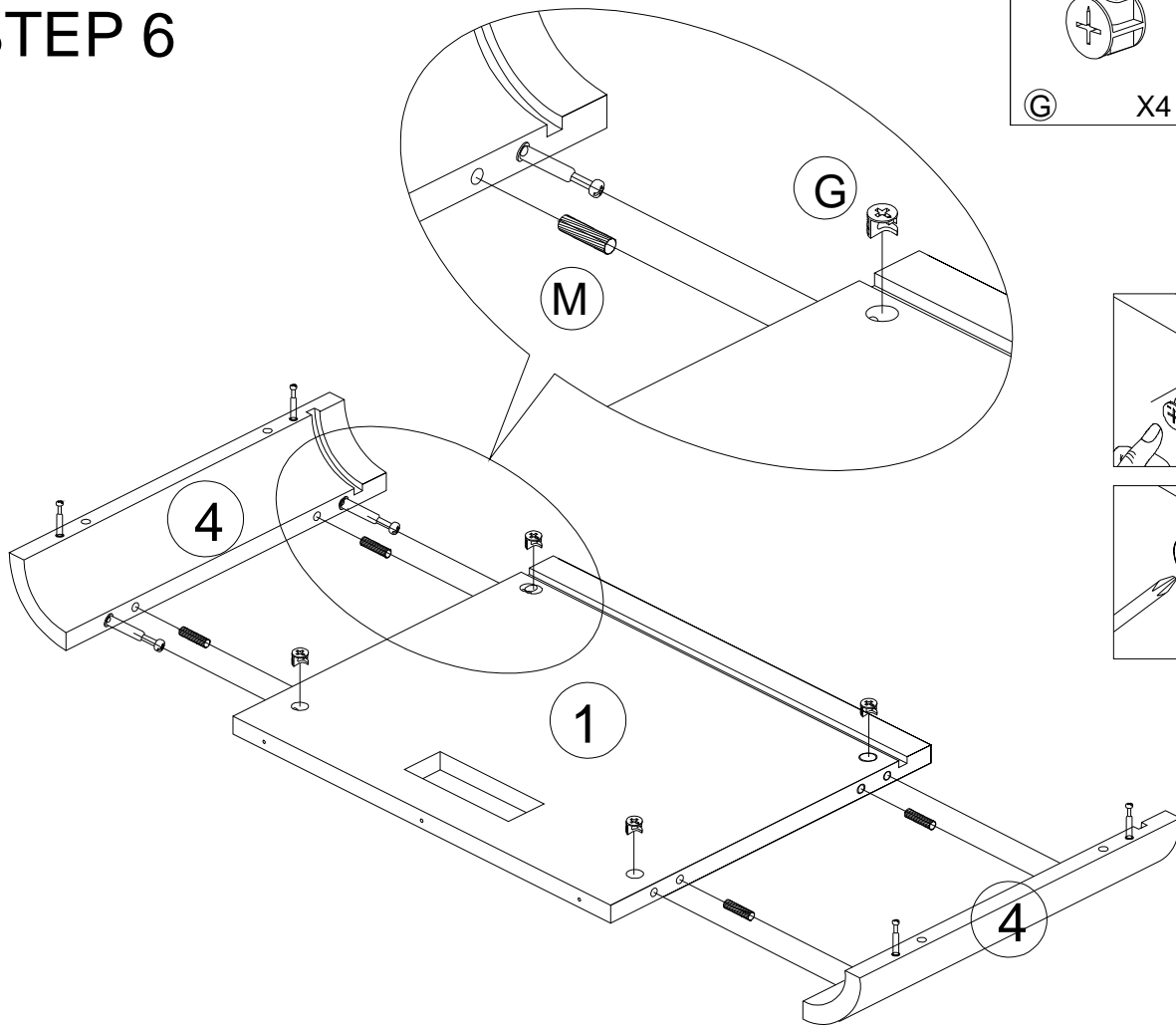
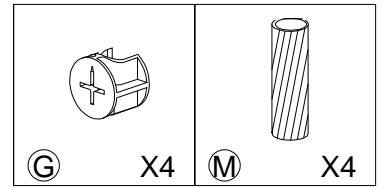
STEP 4



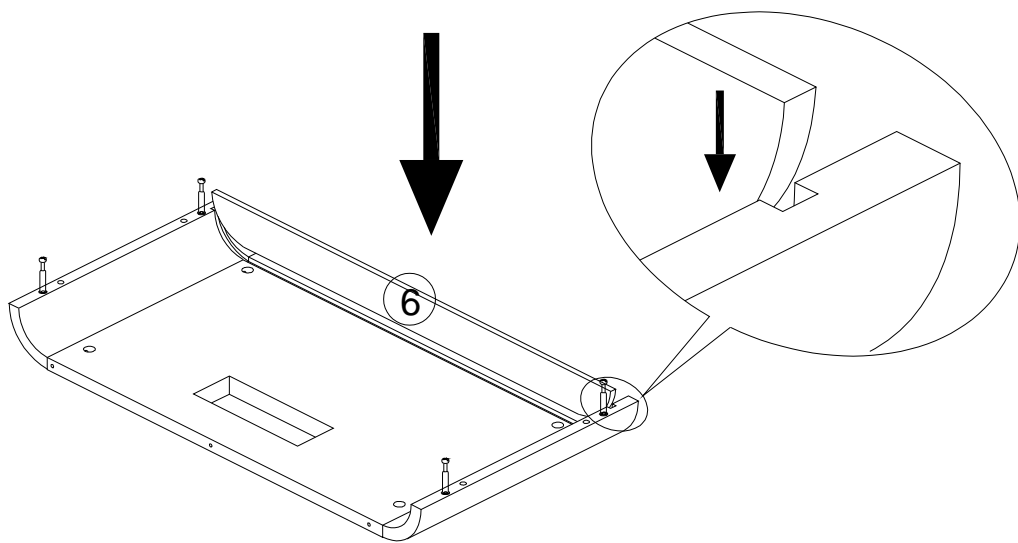
STEP 5



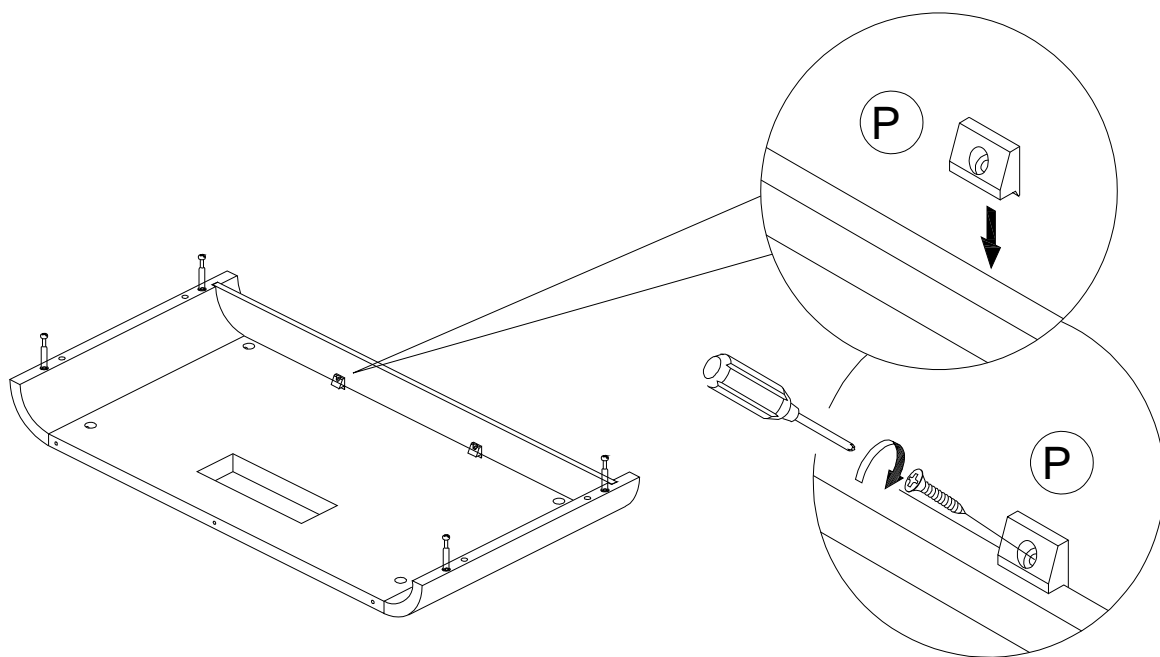
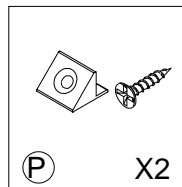
STEP 6



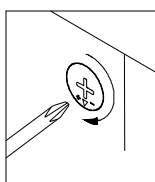
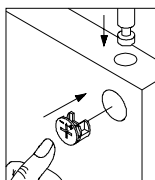
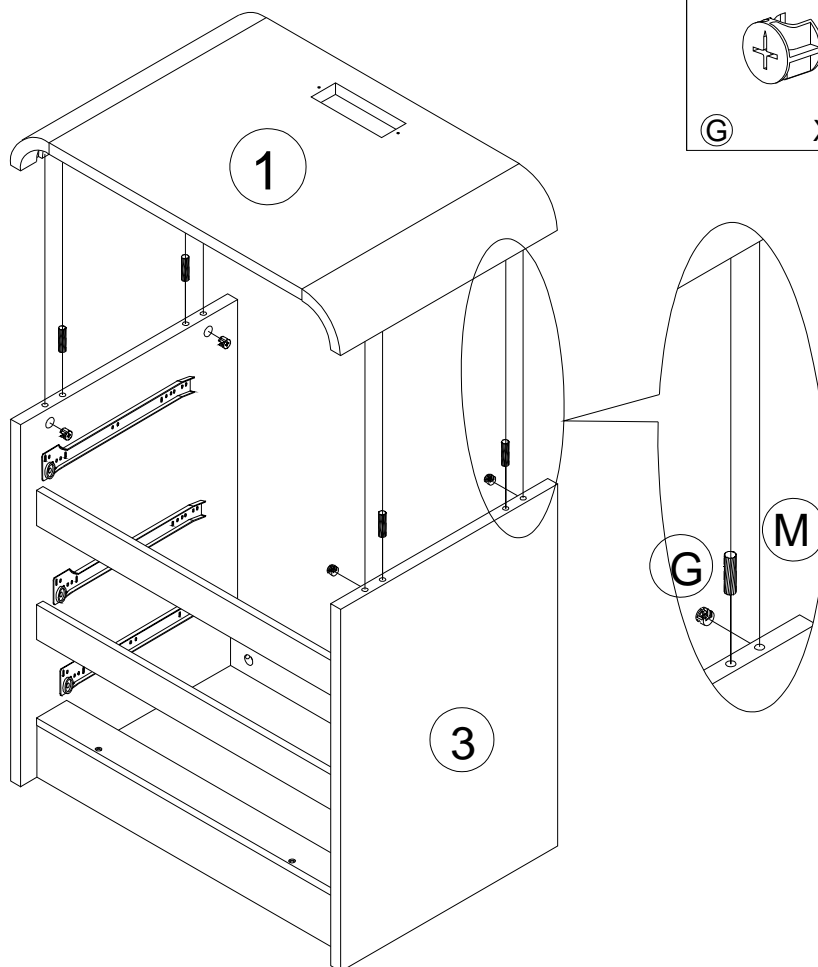
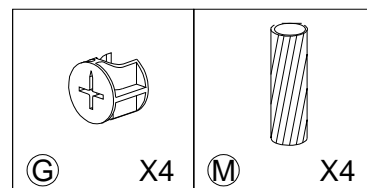
STEP 7



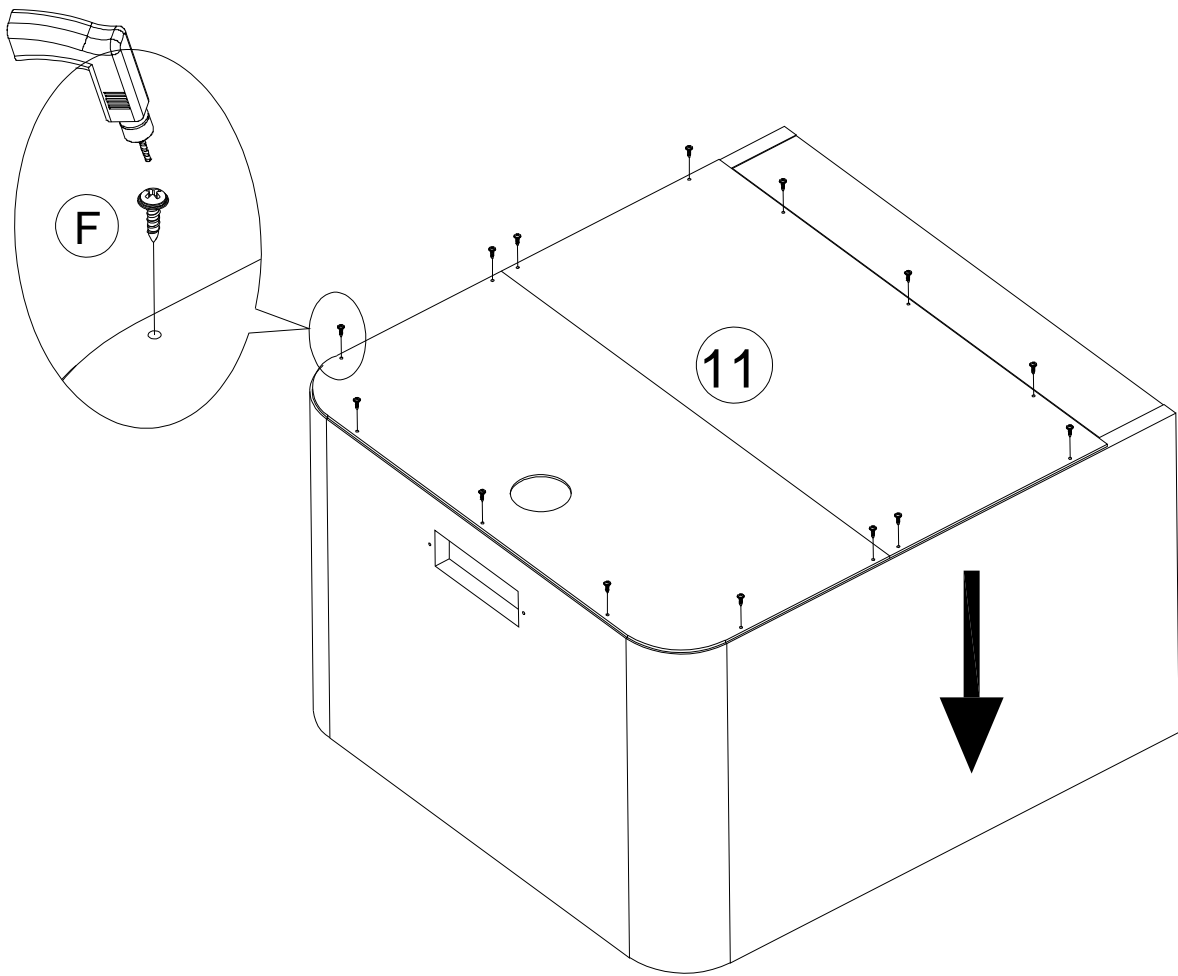
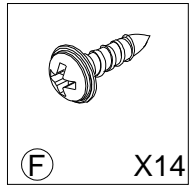
STEP 8




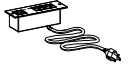
STEP 9

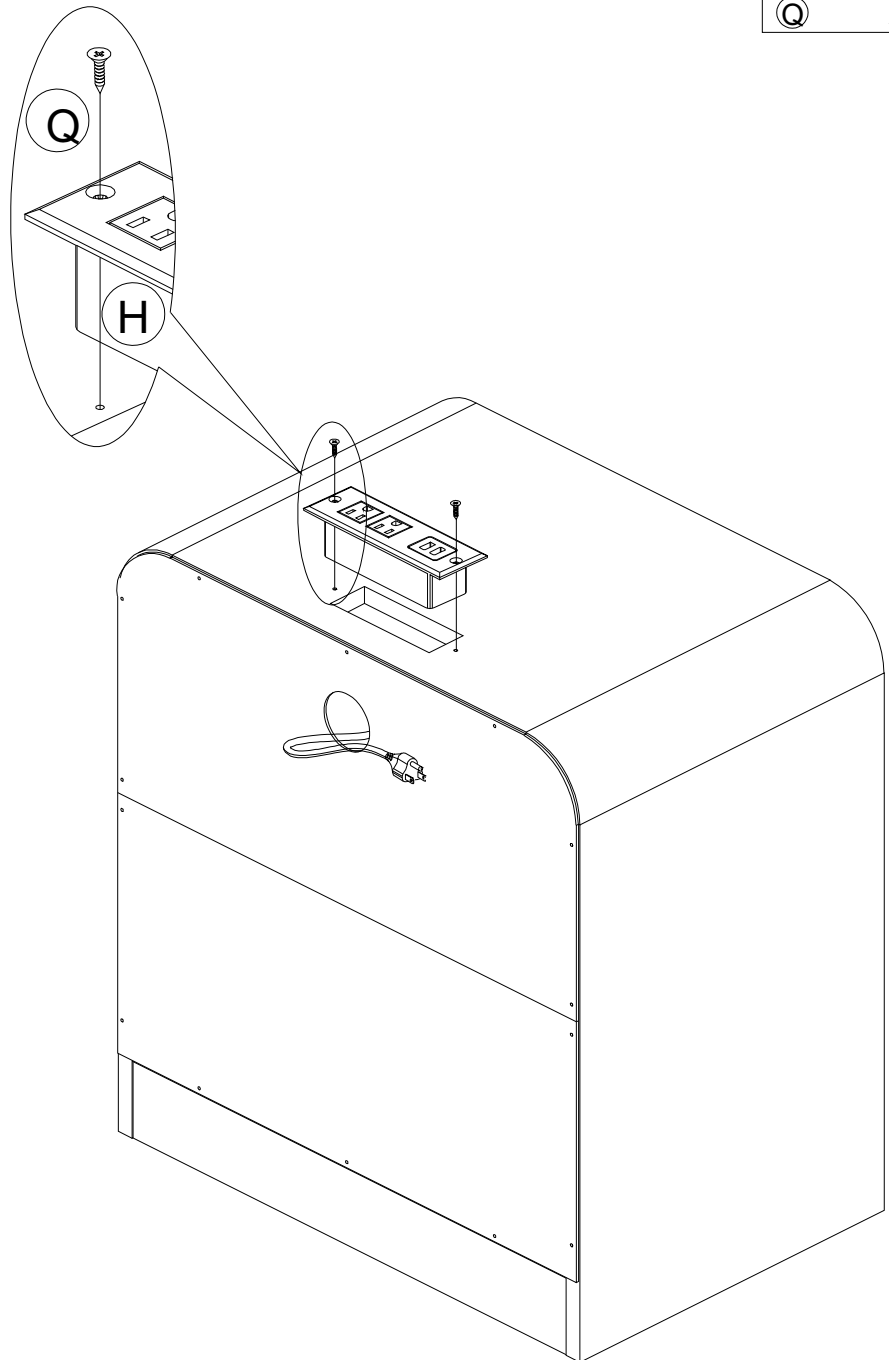


STEP 10

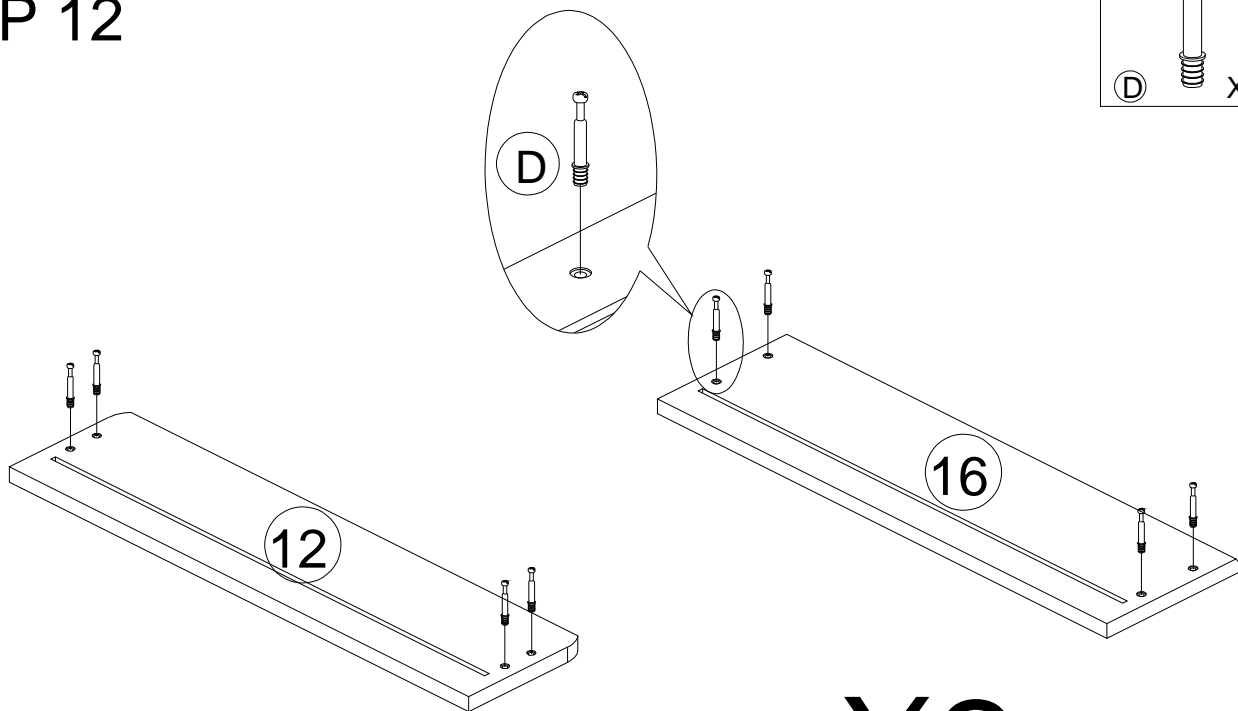
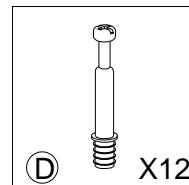


STEP 11

	
Q X2	H X1



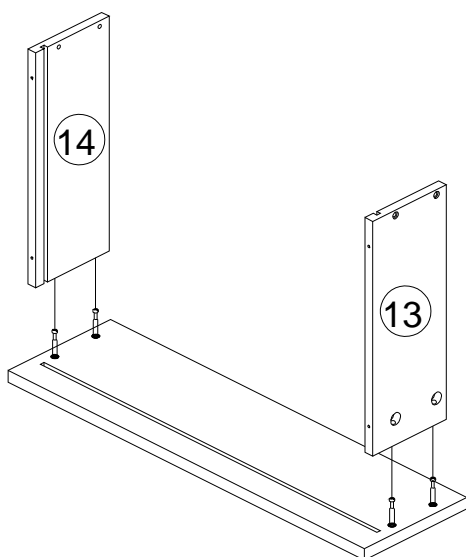
STEP 12



X1

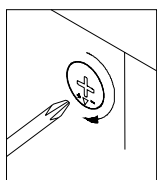
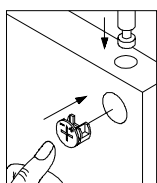
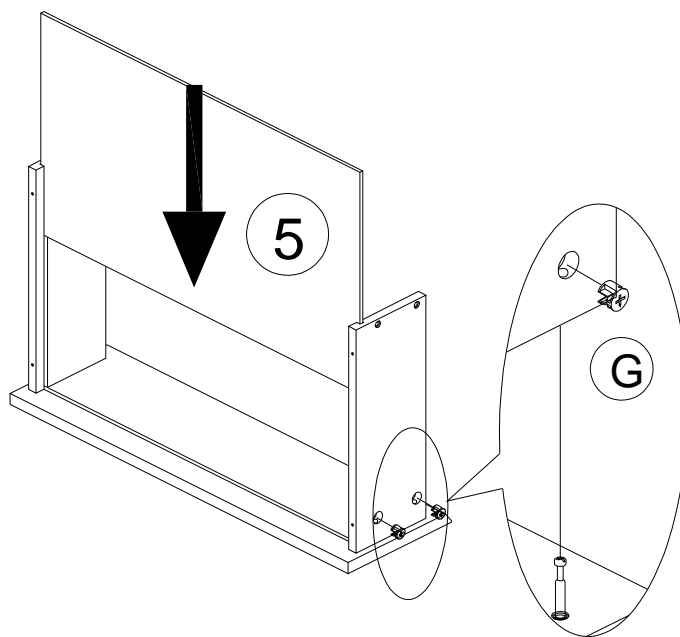
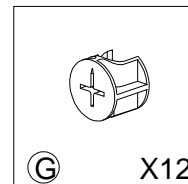
X2

STEP 13



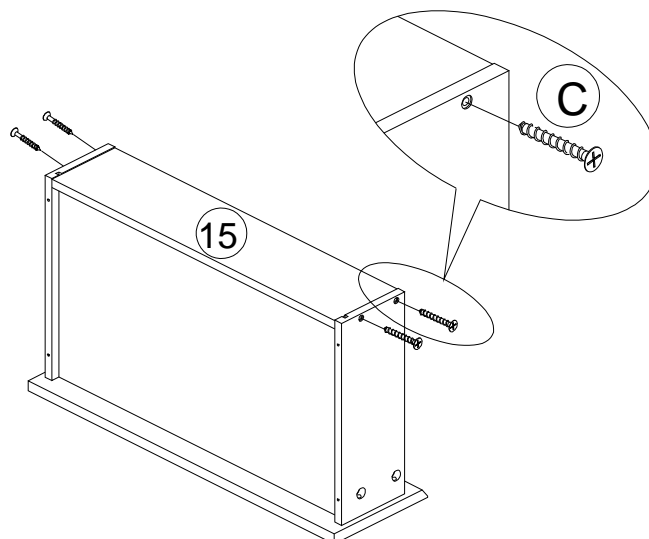
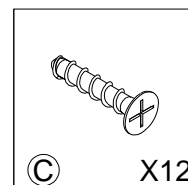
X3

STEP 14



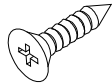

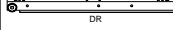
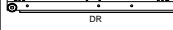
X3

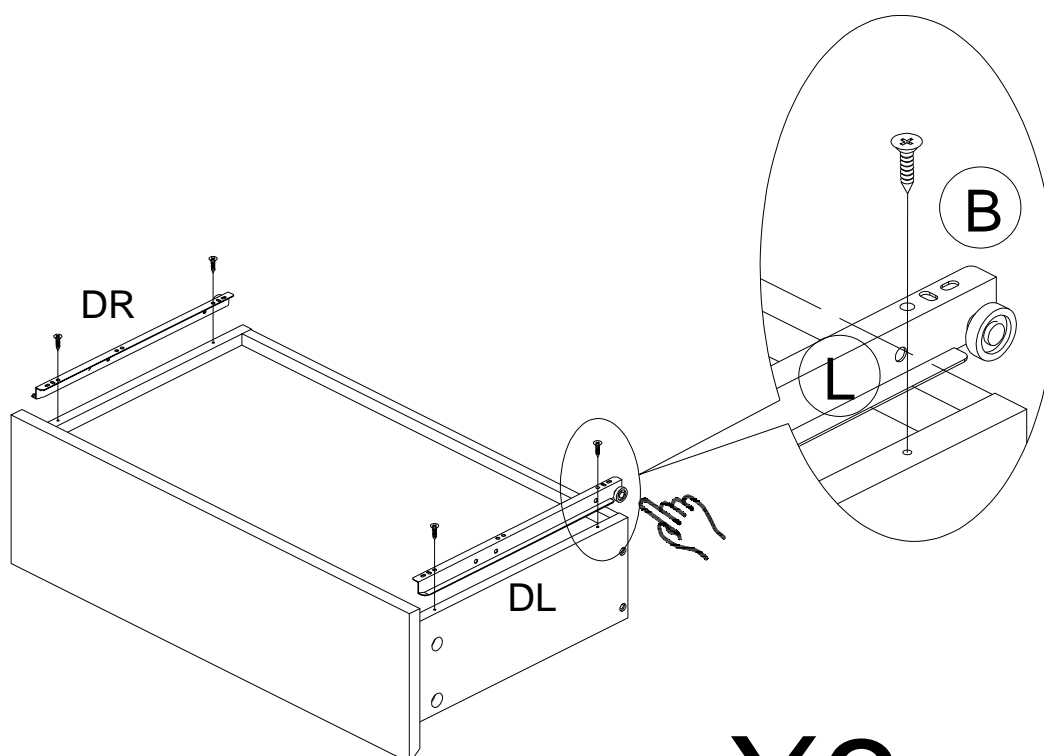
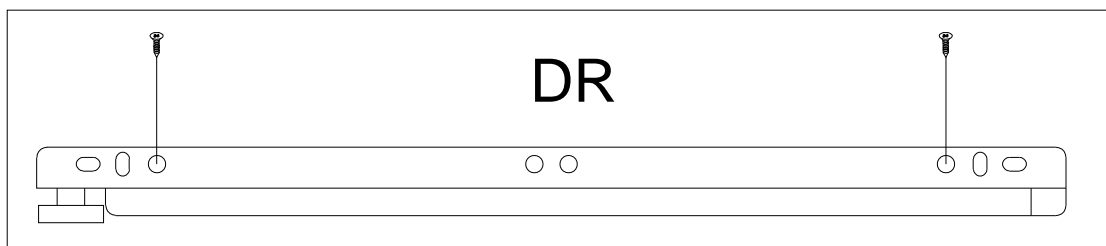
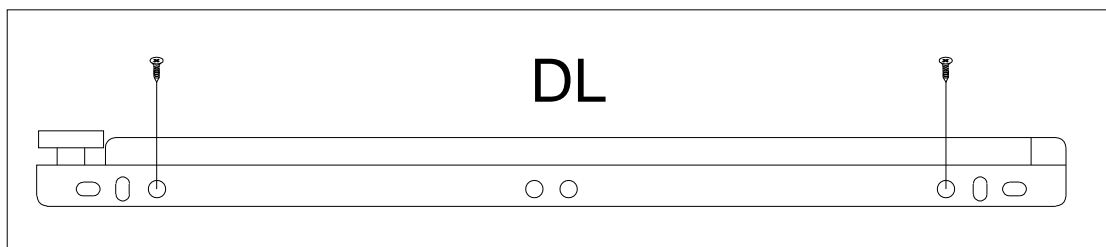
STEP 15



X3

STEP 16

	
	
(B) X12	(L) X3



X3

STEP 17

