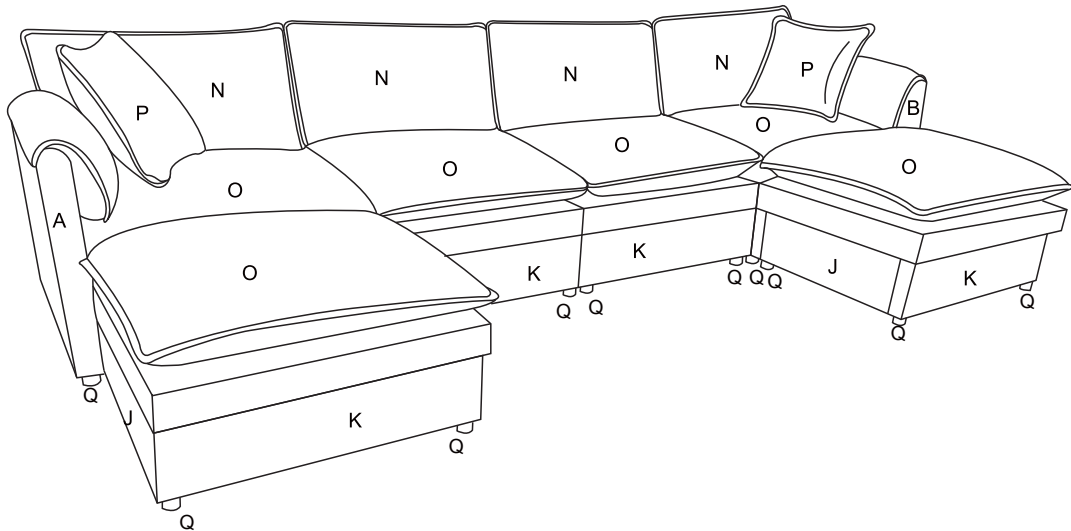


# ASSEMBLY INSTRUCTION



## Return & Warranty policy:





-We strive to offer the highest quality products, and we also try our best to satisfy each and every customer that orders from us with replacement parts or service as needed.

-If the item is damaged or defective, please take photos as evidence for replacements and refunds.






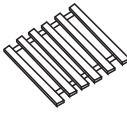

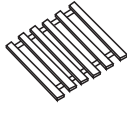
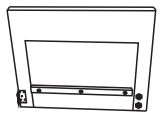

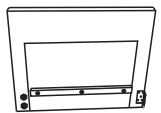
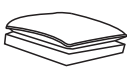
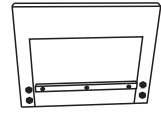

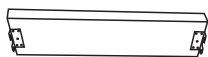


-please do not return to store, contact the seller if you have any troubles with this product.

# ASSEMBLY INSTRUCTION


## HARDWARE LIST

NO	DESCRIPTION	SKETCH	QTY	NO	DESCRIPTION	SKETCH	QTY
①	Bolt M8*35		48PCS	③	Allen key M5		1PC
②	Gasket Ø22		48PCS	④	Gloves		2PCS

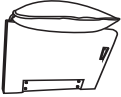

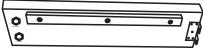
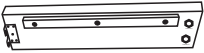

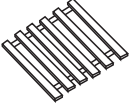
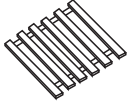
## PARTS LIST

NO	DESCRIPTION	SKETCH	QTY	NO	DESCRIPTION	SKETCH	QTY
A	Left armrest		1PC	J	Ottoman side board		4PCS
B	Right armrest		1PC	K	Front board		6PCS
C	Left front board		1PC	L	Wood strip		4PCS
D	Right front board		1PC	M	Ottoman wood strip		2PCS
E	Left backrest		1PC	N	Backrest pillow		4PCS
F	Right backrest		1PC	O	Seat cushion		6PCS
G	Middle backrest		2PCS	P	Armrest pillow		2PCS
H	Right side board		3PCS	Q	Leg		24PCS
I	Left side board		3PCS				

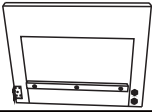
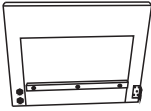

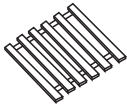
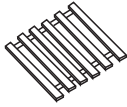
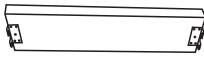


# PARTS LIST

NO	DESCRIPTION	SKETCH	QTY
0	Seat cushion	 A simple line drawing of a rectangular seat cushion, shown from a slightly elevated perspective. It has a top surface and a bottom surface, with a few lines indicating its thickness and shape.	6





# PARTS LIST

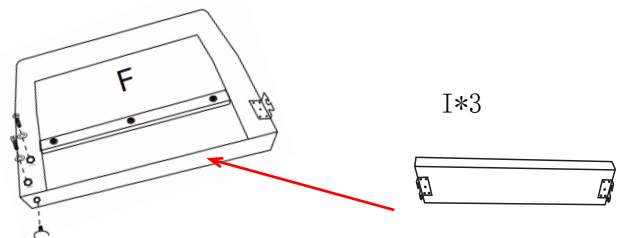
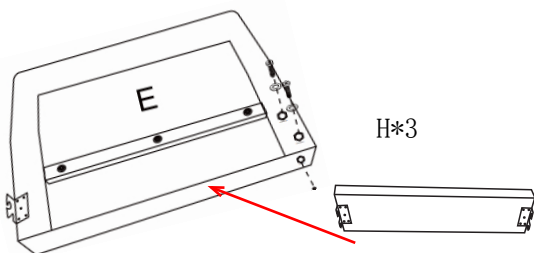
NO	DESCRIPTION	SKETCH	QTY
A	Left armrest		1
B	Right armrest		1
C	Left front board		1
D	Right front board		1
K	Front board		6
L	Wood strip		2
M	Ottoman wood strip		1

# PARTS LIST

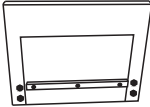
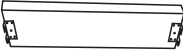

NO	DESCRIPTION	SKETCH	QTY
<b>E</b>	Left backrest		<b>1</b>
<b>F</b>	Right backrest		<b>1</b>
<b>N</b>	Backrest pillow		<b>4</b>
<b>L</b>	Wood strip		<b>2</b>
<b>M</b>	Ottoman wood strip		<b>1</b>
<b>H</b>	Right side board		<b>3</b>
<b>I</b>	Left side board		<b>3</b>
<b>Q</b>	Leg		<b>24</b>

## Hardwares

①	Bolt M8*35		48PCS	③	Allen key M5		1PC
②	Gasket Ø22		48PCS	④	Gloves		2PCS



# PARTS LIST

NO	DESCRIPTION	SKETCH	QTY
<b>G</b>	Middle backrest		<b>2</b>
<b>J</b>	Ottoman side board		<b>4</b>
<b>P</b>	Armrest pillow		<b>2</b>

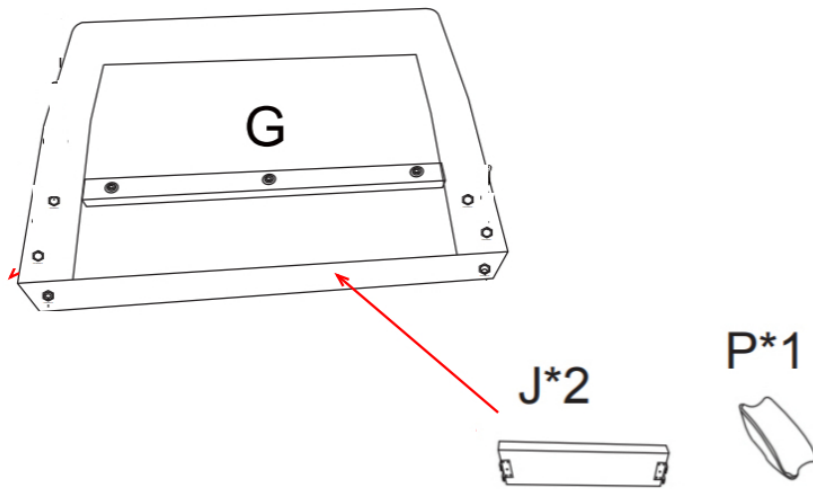


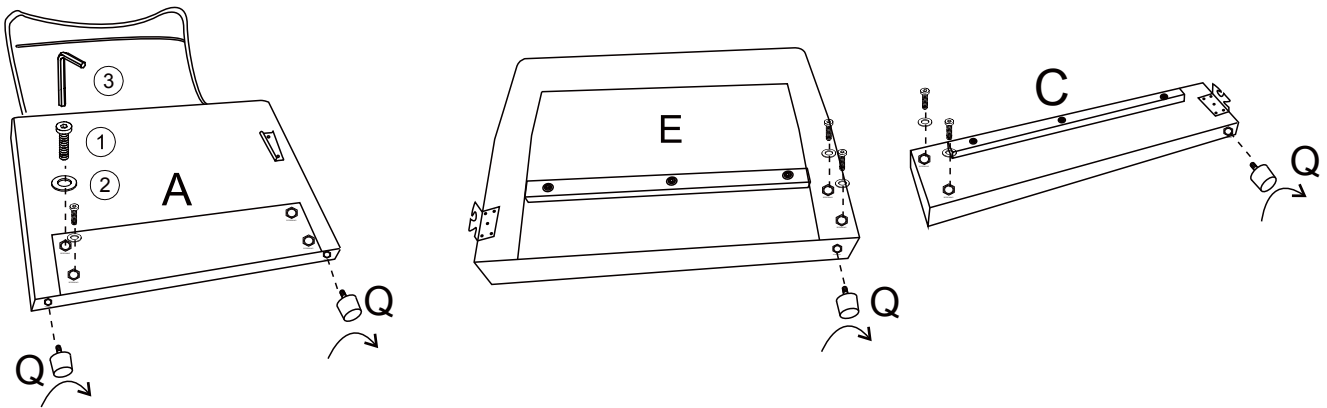
DIAGRAM1: 1. Please wear gloves before installation,thank you.



2. Install the Leg(Part Q\*4PCS)on Left armrest (Part A), Left backrest(Part E),and Left front board (Part C).
3. Use Allen key M5(Hardwares )to install the Bolt M8\*35 (Hardwares \*6PCS) and GasketØ22(Hardwares \*6PCS)

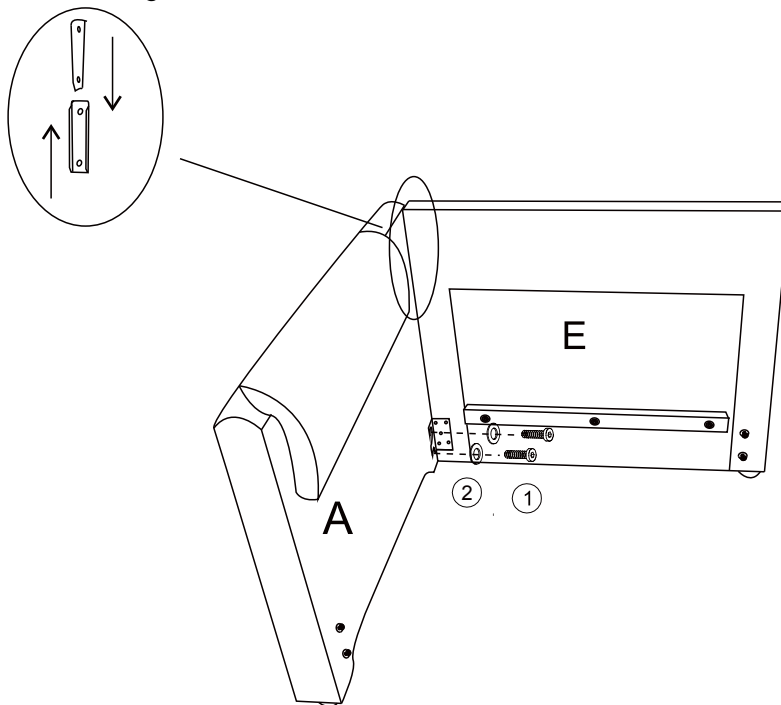
On Left armrest(Part A),Left backrest(Part E),and Left front board (Part C),and tighten them all to 50%.

Q		4PCS
①	M8*35	6PCS
②		6PCS
④		2PCS

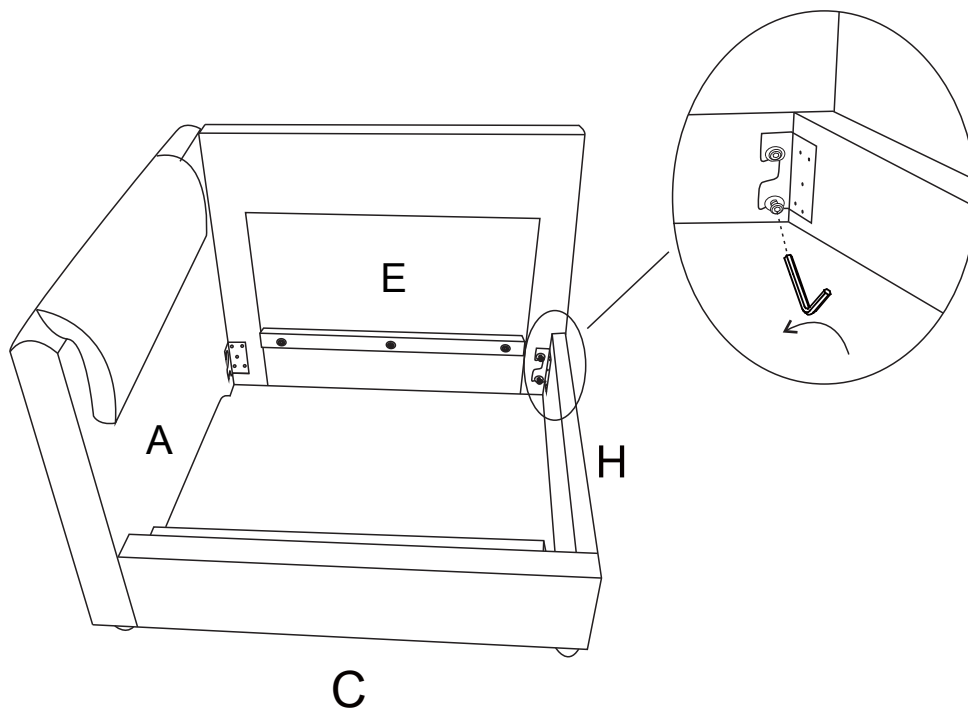


- DIAGRAM2: 1.Use the latch to connect the Left backrest(Part E) to the higher parts of Left armrest (Part A).
- 2.Connect the lower part of Left armres(Part A)and Left backrest(Part E) with Bolt M8\*35(Hardwares \* 2PCS) and Gasket Ø22 (Hardwares \*2PCS) and tighten the screws.

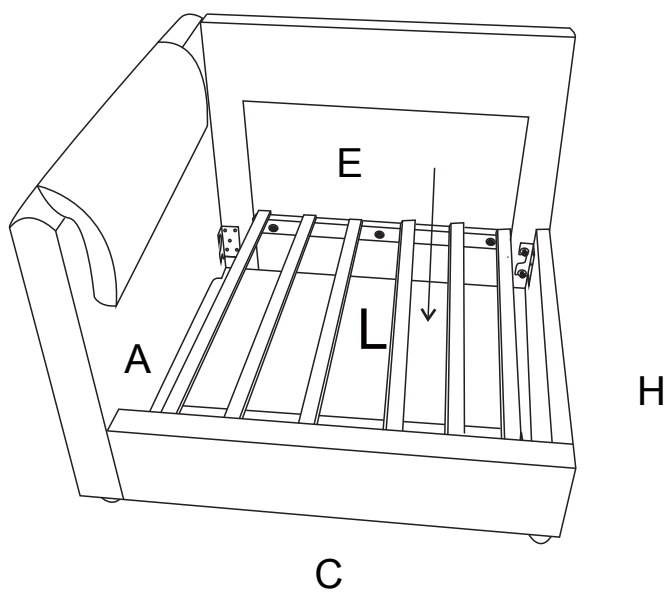
①	M8*35	2 PCS
②		2 PCS



**DIAGRAM3:** 1.Connect Left armrest(Part A) and Left front board (Part C) and Right side board(Part H),Right side board(Part H) and Left backrest (Part E) with Hardwares and tighten the screws .


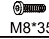



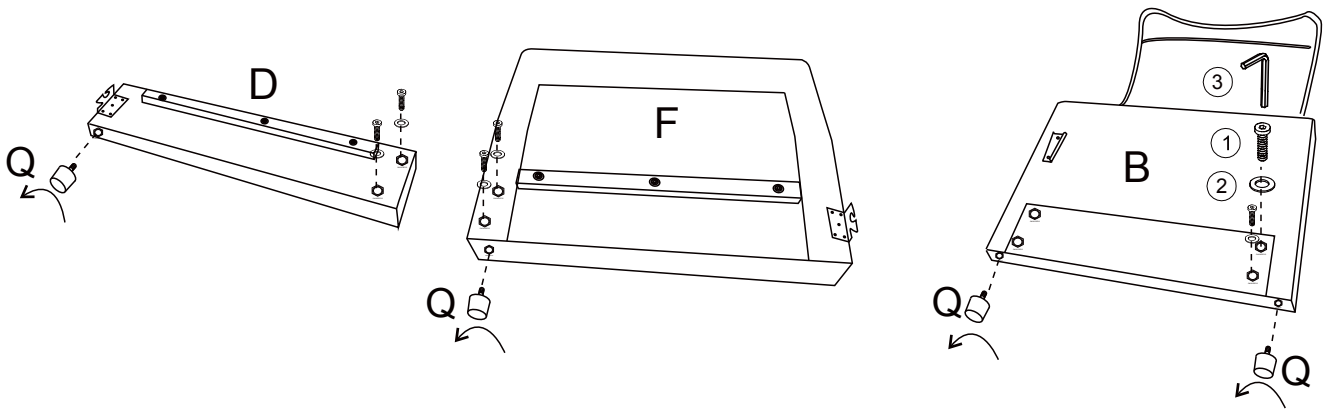
**DIAGRAM4:** 1. Unfold the Wooden strip (Part L\* 1PCS) and stick it in the middle of the Left seat frame.



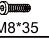

**DIAGRAEM5:** 1. Install the Leg (Part Q\*4PCS) on Right armrest ( Part B)

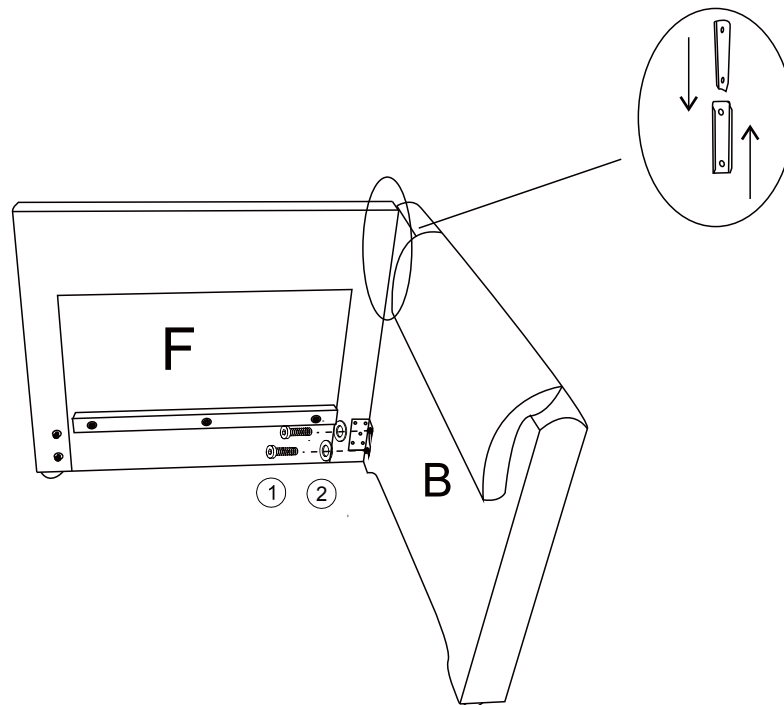
backrest(Part F),and Right front board (Part D).  
 2.Use Allen key M5 (Hardware ) to install the Bolt M8\*35 (Hardware \*6PCS) and GasketØ22 (Hardware \*6PCS)on Right armrest ( Part B),Right backrest (Part F), and Right front board (Part D),and tighten them all to 50%.

Q		4 PCS
①	 M8*35	6 PCS
②		6 PCS

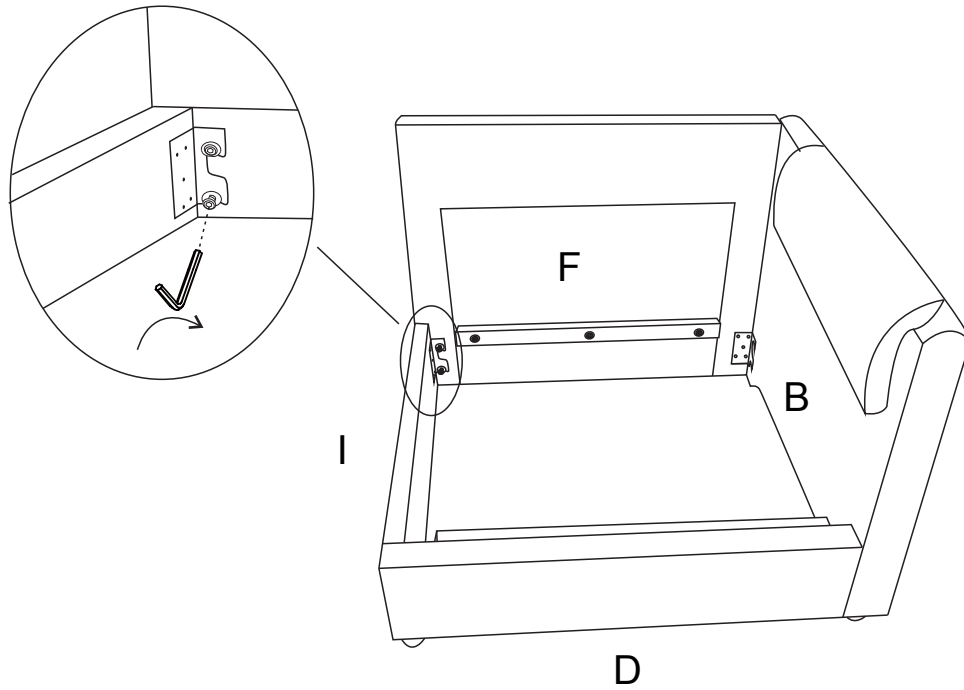


**DIAGRAM6:** 1.Use the latch to connect the Right backrest (Part F) to the higher parts of Right armrest(Part B).  
 2.Connect the lower part of Right backrst (Part F ) and Right armrest (Part B) with Bolt M8\*35(Hardware \*2PCS) and GasketØ22(Hardware \*2PCS)and tighten the screws.

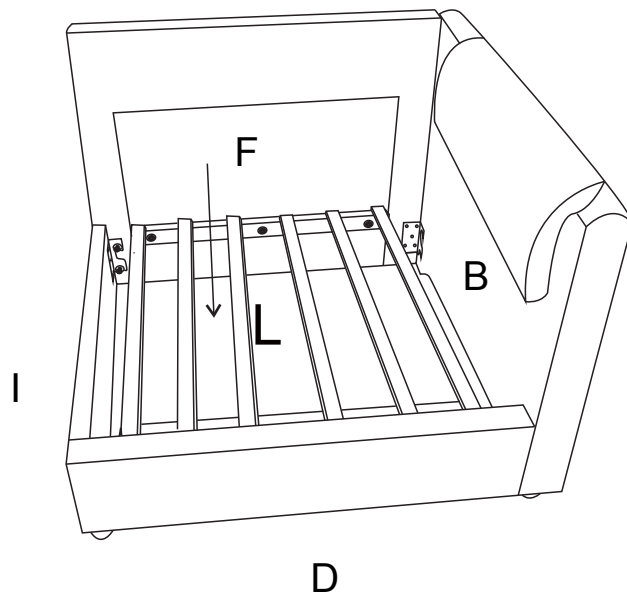
①	 M8*35	2PCS
②		2PCS






**DIAGRAM7:** 1. Connect Right armrest (Part B ) and Right front board(Part D), Left side board(Part I ) and Right front board(Part D),Left side board (Part I) and Right backrest (Part F) with Hardwares and tighten the screws .

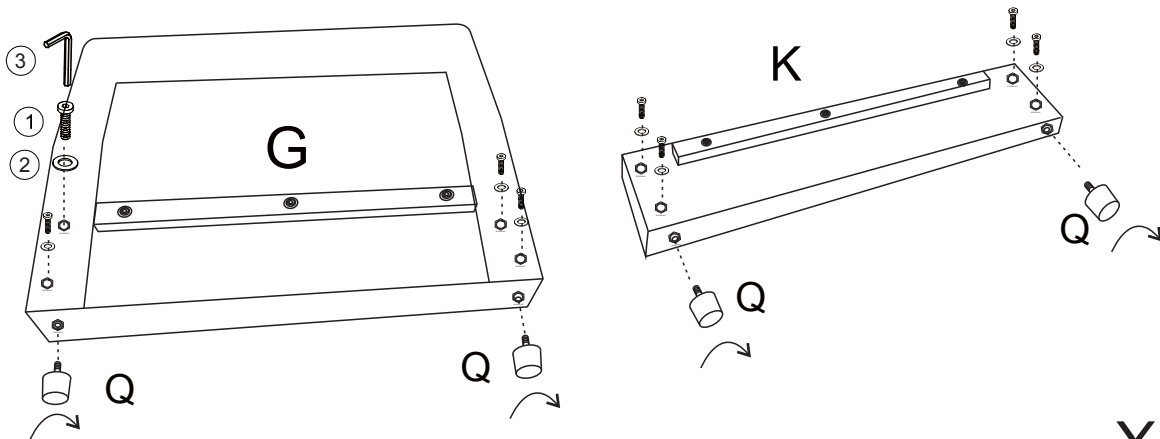


**DIAGRAM8:** 1. Unfold the Wooden strip (Part L\* 1PCS) and stick it in the middle of the Right seat frame.



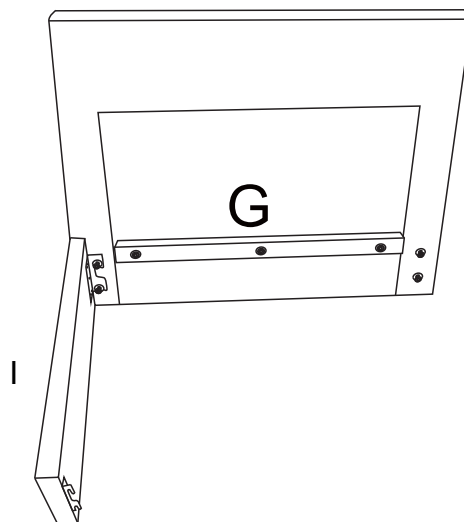
**DIAGRAM9:** 1. Install the Leg (Part Q\*4 PCS) on Middle backrest (Part G), Front board (Part K).  
 2. Use Allen key M5(Hardwares③) to install the Bolt M8\*35 (Hardwares①\*16PCS) and Gasket Ø22(Hardwares②\*16PCS on Middle backrest(Part G), Front board(Part K), and tighten them all to 50%.

Q		8PCS
①	 M8*35	16 PCS
②		16 PCS



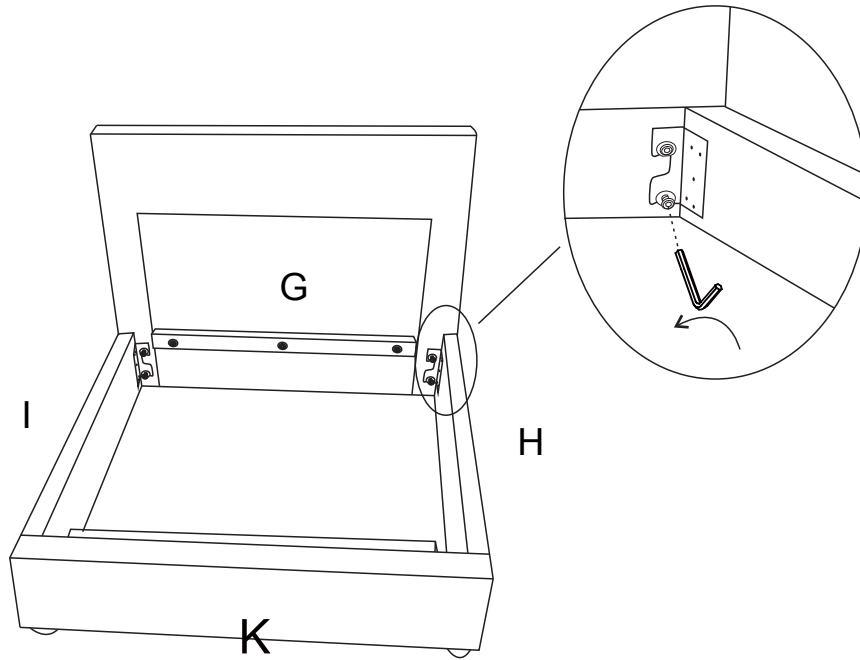
X2

**DIAGRAM10:** 1. Connect the Left side board (Part I) and Middle backrest (Part G) with Hardwares and tighten the screws .



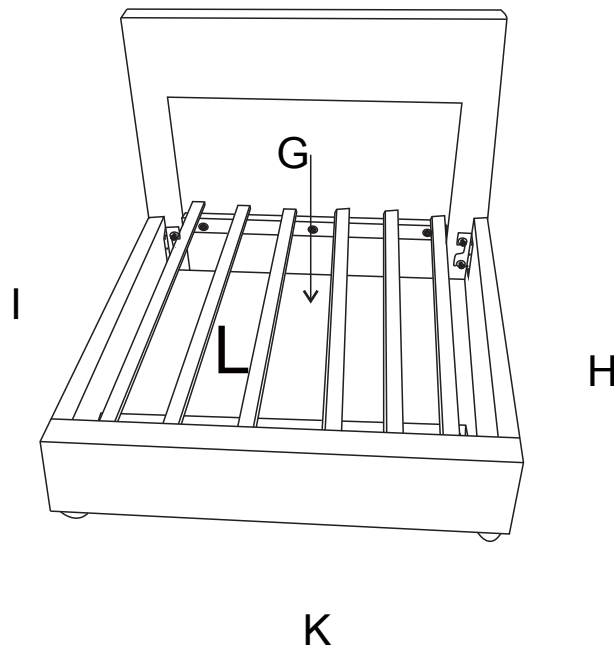
X2

DIAGRAE11: 1. Connect Middle backrest ( Part G)and Left side board(Part I) , Front board ( Part K) and Left side board (Part I) ,Front board ( Part K) and Right side board (Part H)with Hardwares,and tighten the screws .






X2

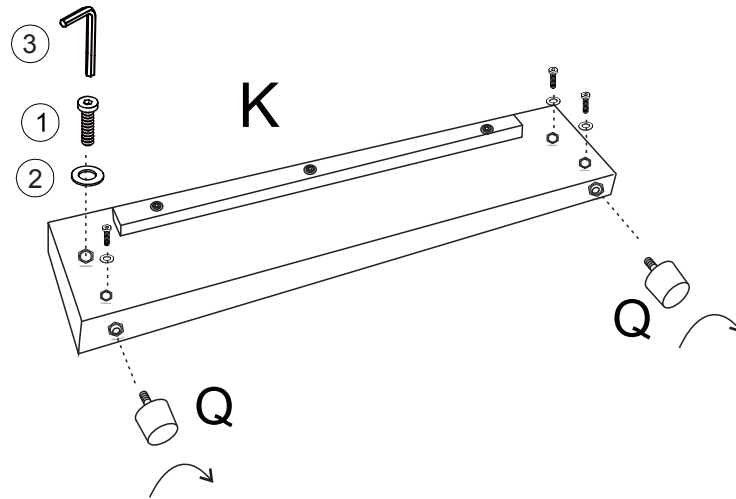
DIAGRAM12 : 1. Unfold the Wooden strip (Part L\* 1PCS) and stick it in the middle of the Middle seat frame.



X2

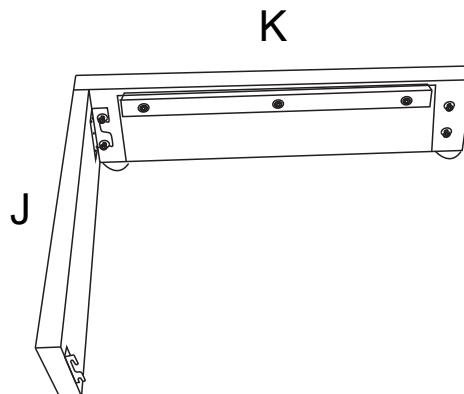
DIAGRAM13: 1. Install the Leg (Part Q\*8PCS) on Front board( Part K\*4PCS).  
 2. Use Allen key M5(Hardwares ) to install the Bolt M8\*35 (Hardwares \*16PCS) and Gasket Ø22(Hardwares \*16PCS) on Front board (Part K\*4PCS), and tighten them all to 50%.

Q		8PCS
①	 M8*35	16PCS
②		16PCS



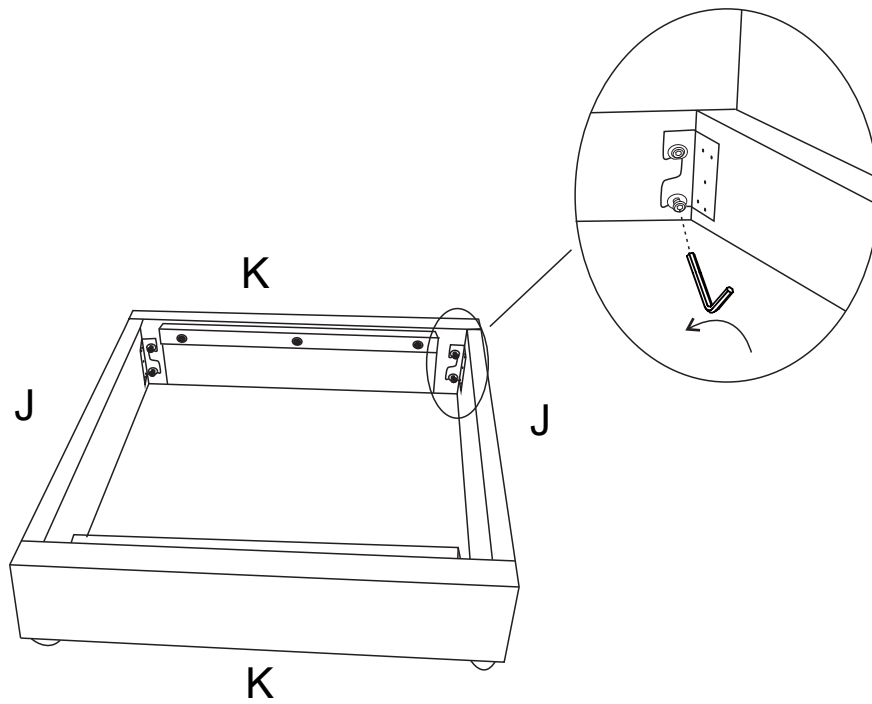
X4

DIAGRAM14: 1. Connect the Ottoman side board ( Part J )and Front board ( Part K) with hardwares and tighten the screws .



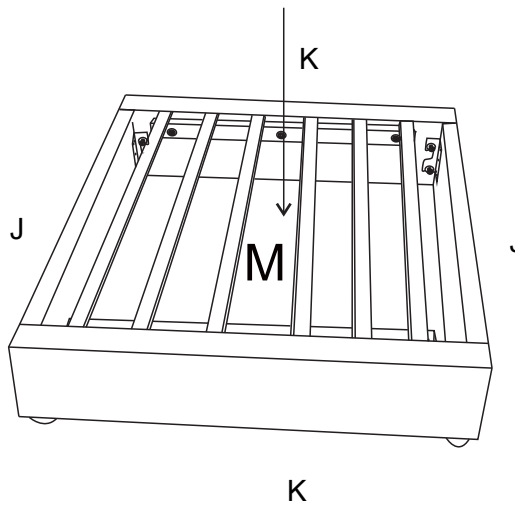
X2

DIAGRAM15: 1. Connect Front board( Part K\*2PCS ) and Ottoman side board(Part J\* 2PCS ) with hardwares and tighten the screws .



X2

DIAGRAM16: 1. Unfold the Ottoman wood strip (Part M \*2PCS) and stick it in the middle of the Ottoman frames .



X2

DIAGRAM17: 1. Insert the sliding plates of the middle seat frame Left side board( Part I) and the right seat frame Right side board ( Part H), insert the sliding plates of the middle seat frame Left side board ( Part I) and the middle seat frame Right side board( Part H), and insert the sliding plates of the left seat frame Left side board( Part I).

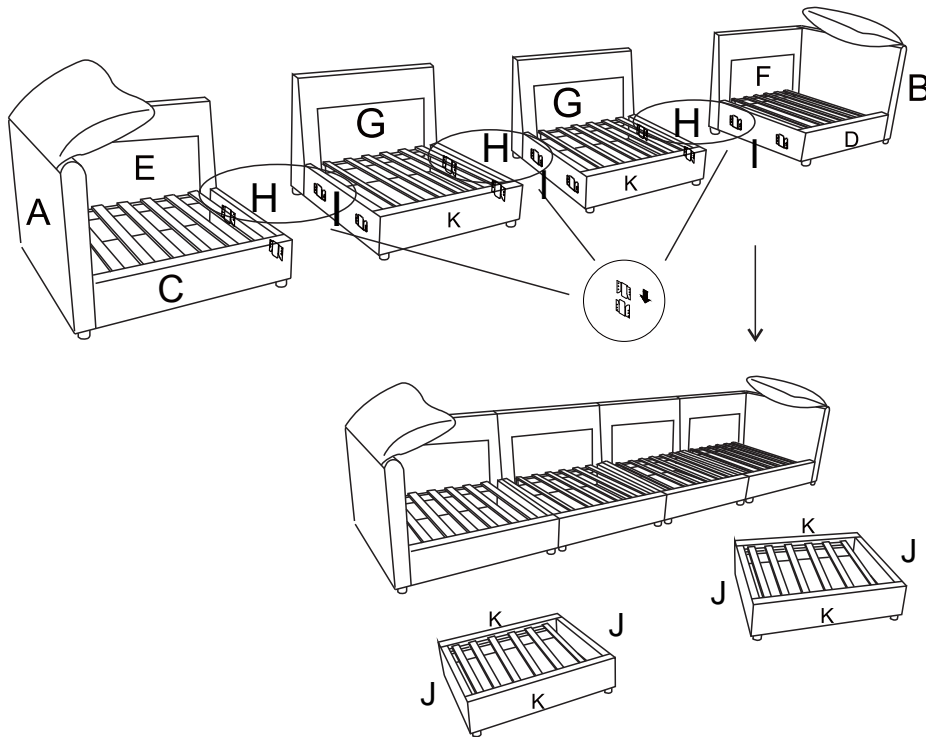


DIAGRAM18: 1. Put Seat cushion (Part O\*6PCS) on the Seat frame.

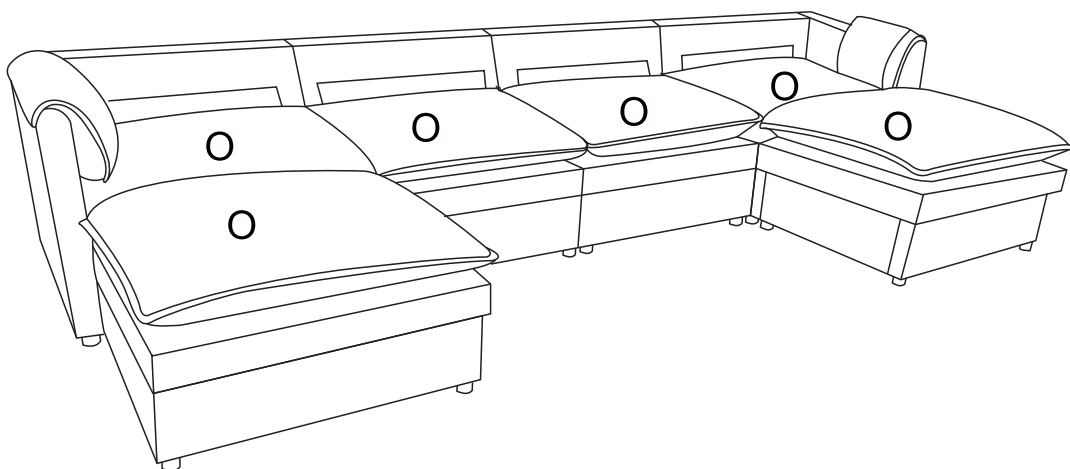
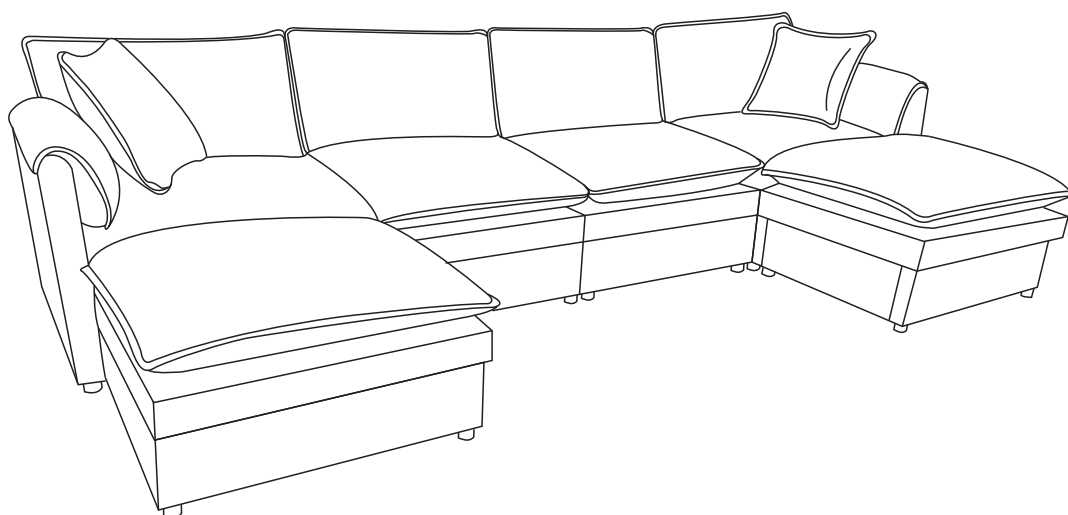


DIAGRAM19: 1.Put Backrest Pillow ( Part N\*4pcs ) and Armrest Pillow ( Part P\*2pcs ) ,  
on the sofa.



Complete