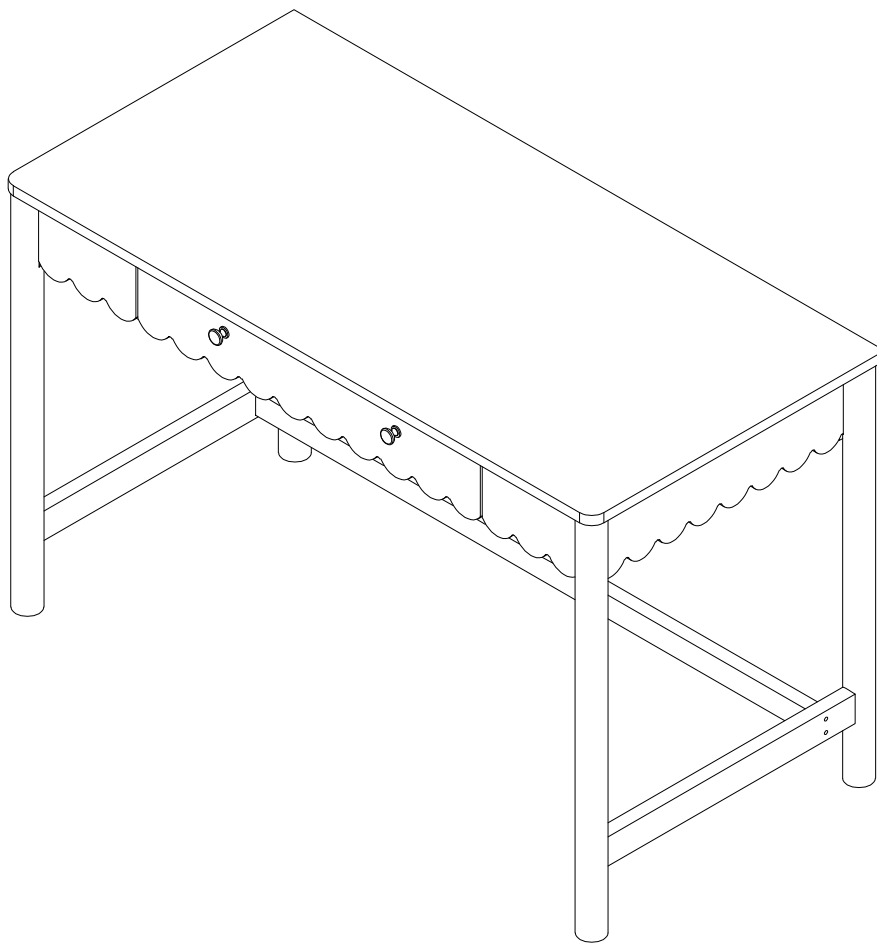


ASSEMBLY INSTRUCTIONS

EEI-7155

V1.08.04.25



Questions? Contact us!

609.256.9000 • cs@modway.com
www.modway.com

***modway**

Let's get started!

*modway



Read through all of the instructions before starting



Care instructions are listed in the last step of this manual

Only use hand tools to assemble this item. Do not use power tools. Do not tighten bolts or screws completely until all hardware is lined up and inserted into the holes.



Approx. 60 minutes assembly time



Make sure you have all parts and components before discarding any packing materials

Do not over-tighten screws and bolts to avoid stripping the hardware or cracking the item.

Assemble your item on a flat, carpeted area, with plenty of space to work. This will prevent damage and scratches to your floors or the item while you're assembling the product.

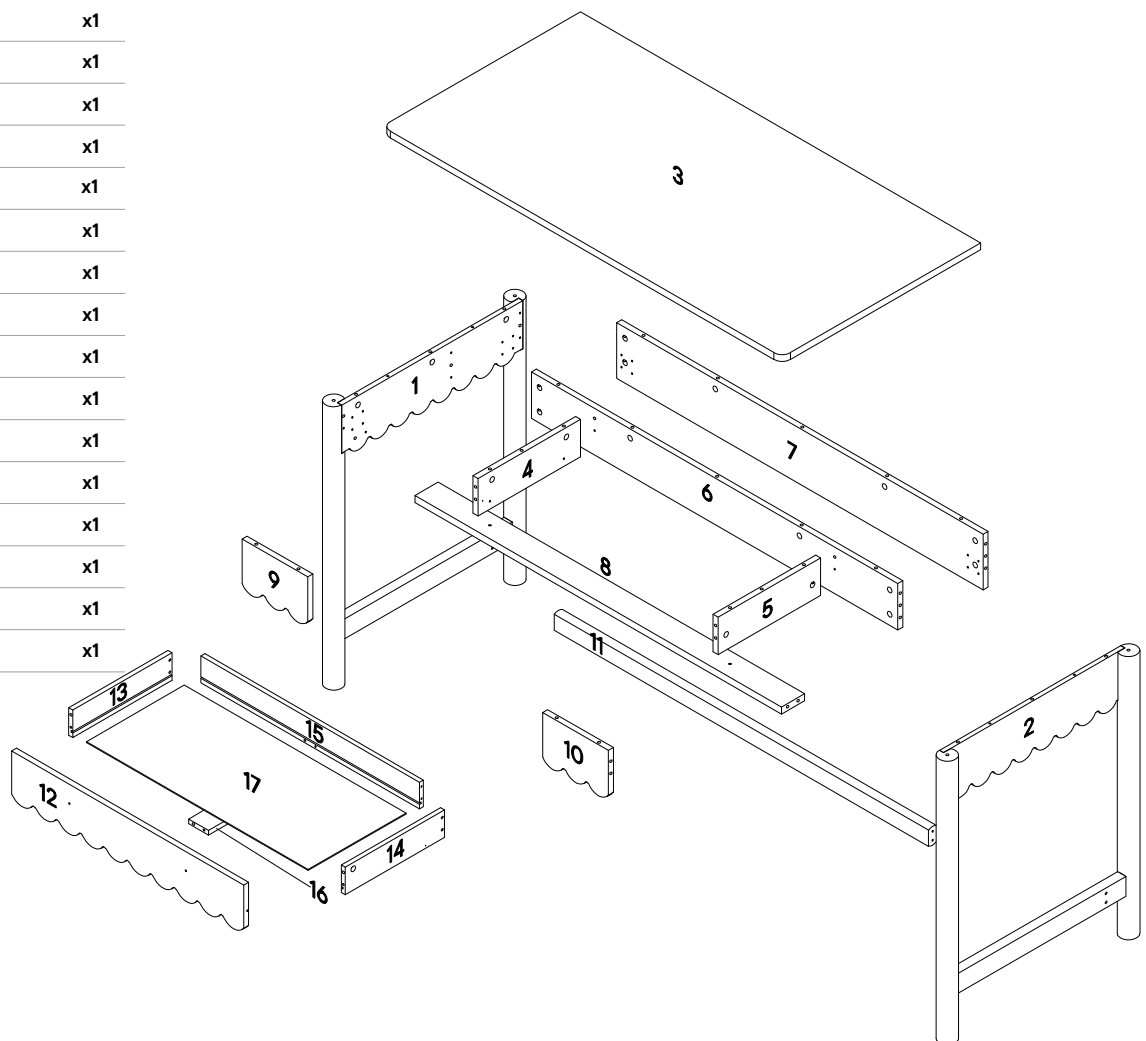


2 people recommended for assembly

Keep all components and packaging out of reach of children or animals to avoid risk of choking or suffocation.

Furniture components:





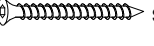

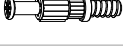



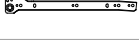

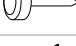

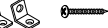
1	Side Panel Left	x1
2	Side Panel Right	x1
3	Top Panel	x1
4	Divider Panel Left	x1
5	Divider Panel Right	x1
6	Support Panel Top	x1
7	Back Panel	x1
8	Support Panel	x1
9	Front Panel Left	x1
10	Front Panel Right	x1
11	Support Panel Bottom	x1
12	Drawer Front	x1
13	Drawer Side Left	x1
14	Drawer Side Right	x1
15	Drawer Back	x1
16	Drawer Support	x1
17	Drawer Bottom	x1



Wait!

Missing parts or hardware? Need assistance?
Contact us before returning your item. We're here to help!
609.256.9000 • cs@modway.com

Provided hardware:

A.		Screw M3 x 12 mm	x2
B.		Screw M3.5 x 12 mm	x6
C.		Screw M6 x 9 mm	x4
D.		Screw M6 x 13 mm	x32
E.		Screw M6 x 40 mm	x6
F.		Screw M6.3 x 50 mm	x4
G.		Wood Dowel Ø6 x 20 mm	x8
H.		Wood Dowel Ø8 x 25 mm	x26
J.		Cam Bolt 20 x 5 mm	x36
K.		Cam Lock 15/15	x26
L.		Cam Lock 15/12	x10
M.		Handle	x2
N1.		Drawer Slide CR (300mm)	x1
N2.		Drawer Slide CL (300mm)	x1
P1.		Drawer Slide DR (300mm)	x1
P2.		Drawer Slide DL (300mm)	x1
Q.		Plastic Leg Stud	x4
R.		Metal Bracket	x4
S.		Allen Key	x1
		Tipping Restraint Kit	x2

What you need:



You may also need:

+ Level
+ Hammer

Wait!

Missing parts or hardware? Need assistance?
Contact us before returning your item. We're here to help!
609.256.9000 • cs@modway.com

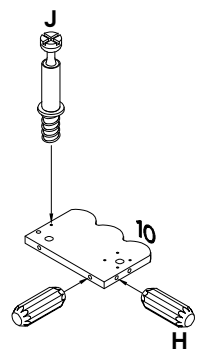
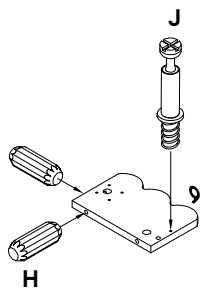
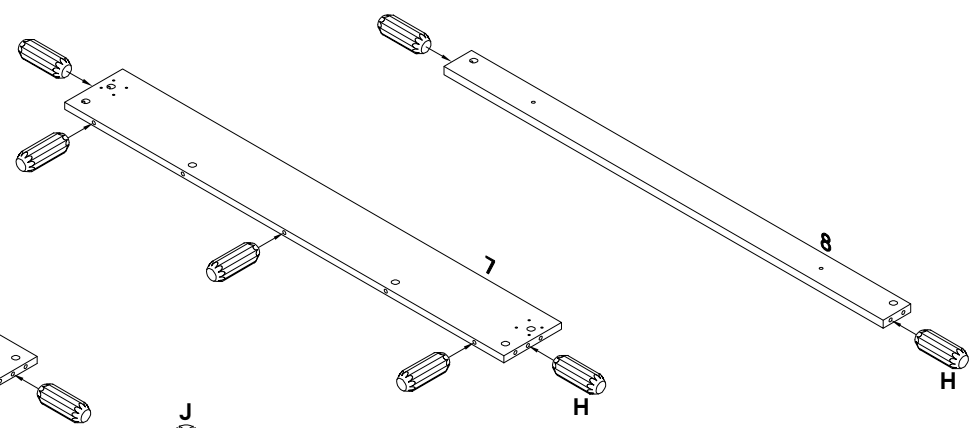
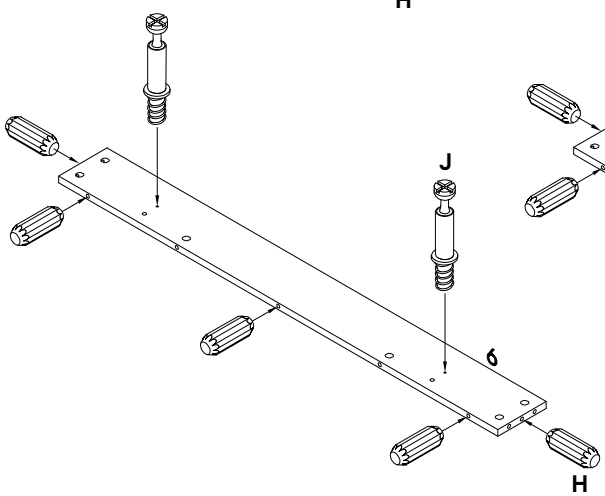
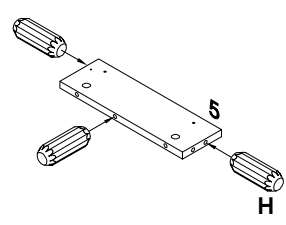
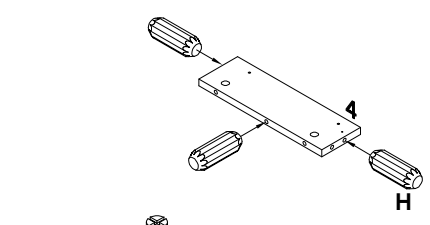
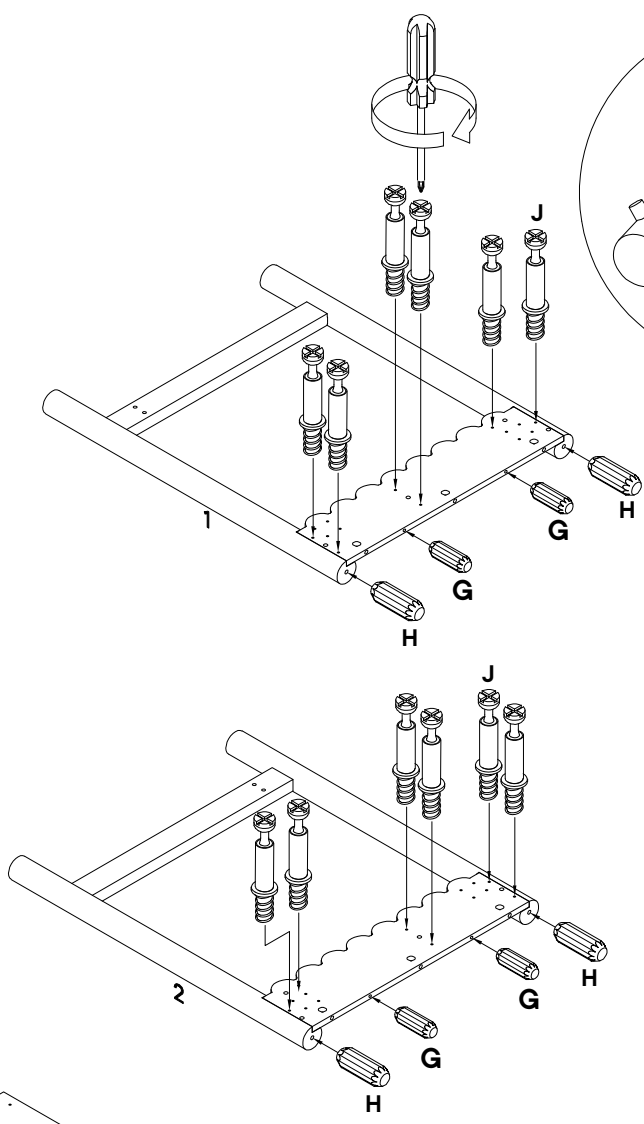
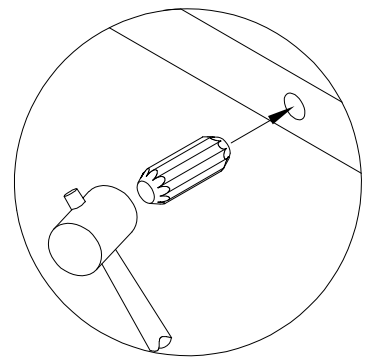
Step 1

HARDWARE

G Wood Dowel Ø6 x 20 mm	x4
H Wood Dowel Ø8 x 25 mm	x26
J Cam Bolt 20 x 5 mm	x16

COMPONENTS

1 Side Panel Left	x1
2 Side Panel Right	x1
4 Divider Panel Left	x1
5 Divider Panel Right	x1
6 Support Panel Top	x1
7 Back Panel	x1
8 Support Panel	x1
9 Front Panel Left	x1
10 Front Panel Right	x1



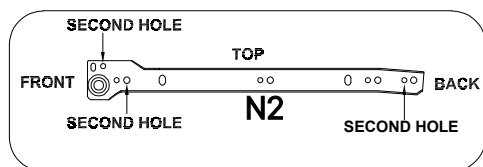
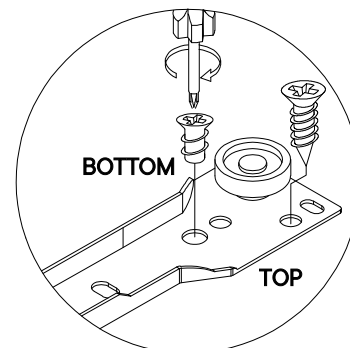
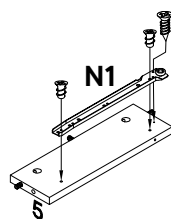
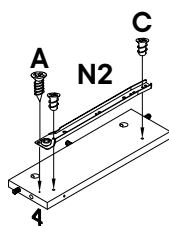
Step 2

HARDWARE

A Screw M3 x 12 mm	x2
C Screw M6 x 9 mm	x4
N1 Drawer Slide CR (300mm)	x1
N2 Drawer Slide CL (300mm)	x1

COMPONENTS

4 Divider Panel Left	x1
5 Divider Panel Right	x1



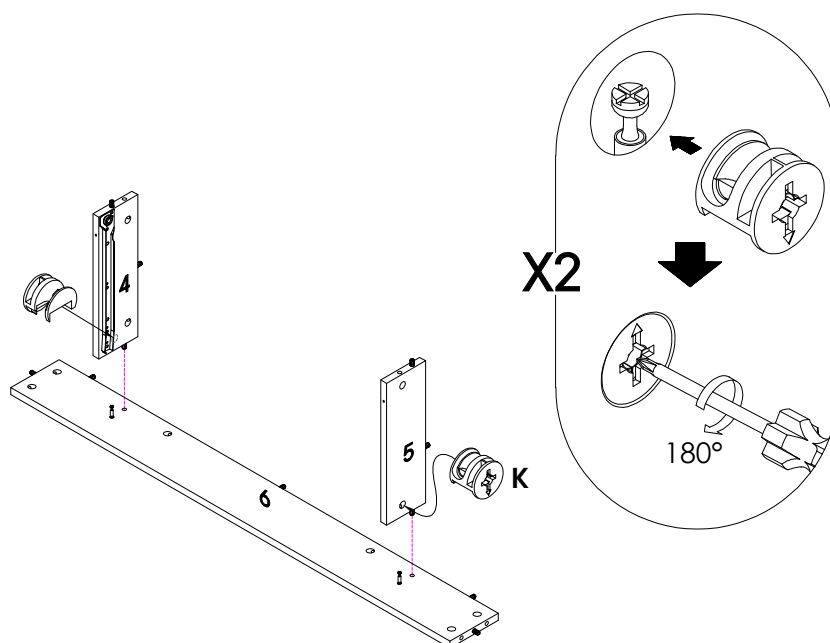
Step 3

HARDWARE

K Cam Lock 15/15	x2
-------------------------	----

COMPONENTS

4 Divider Panel Left	x1
5 Divider Panel Right	x1
6 Support Panel Top	x1



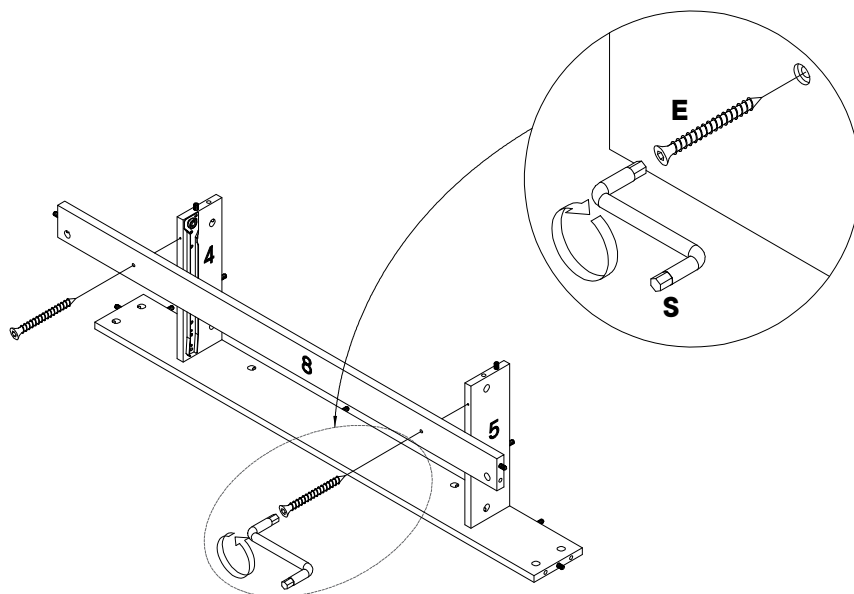
Step 4

HARDWARE

- E** Screw M6 x 40 mm x2
- S** Allen Key x1

COMPONENTS

- 4** Divider Panel Left x1
- 5** Divider Panel Right x1
- 8** Support Panel x1



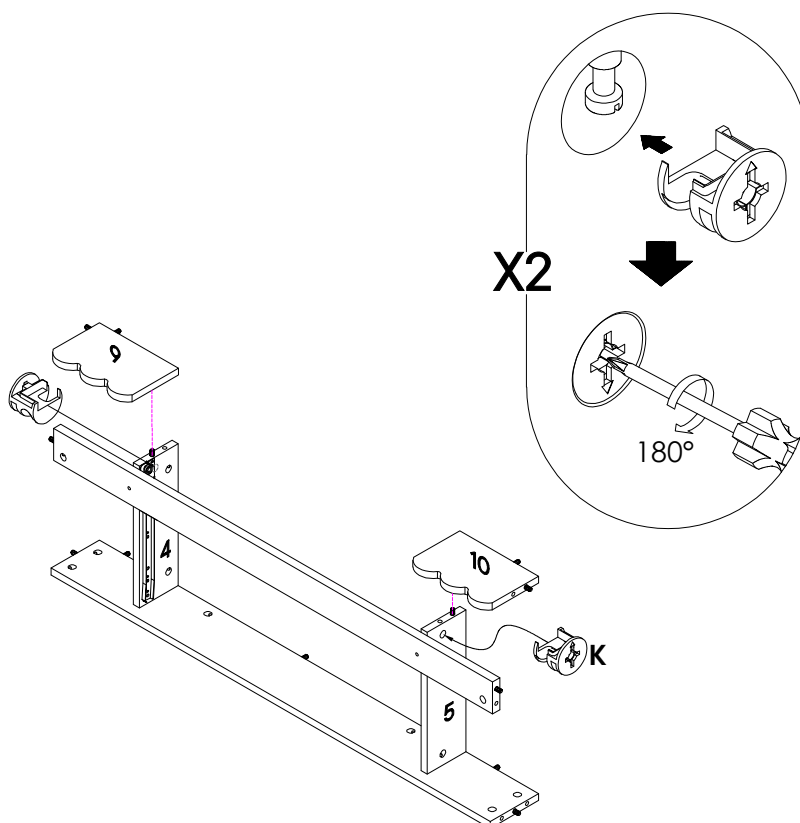
Step 5

HARDWARE

- K** Cam Lock 15/15 x2

COMPONENTS

- 4** Divider Panel Left x1
- 5** Divider Panel Right x1
- 9** Front Panel Left x1
- 10** Front Panel Right x1



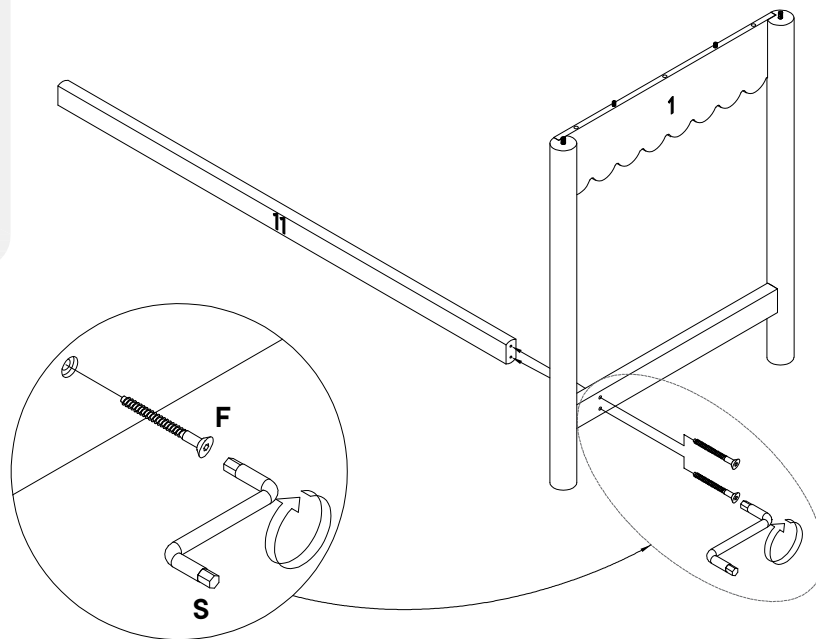
Step 6

HARDWARE

- F** Screw M6.3 x 50 mm x2
- S** Allen Key x1

COMPONENTS

- 1** Side Panel Left x1
- 11** Support Panel Bottom x1



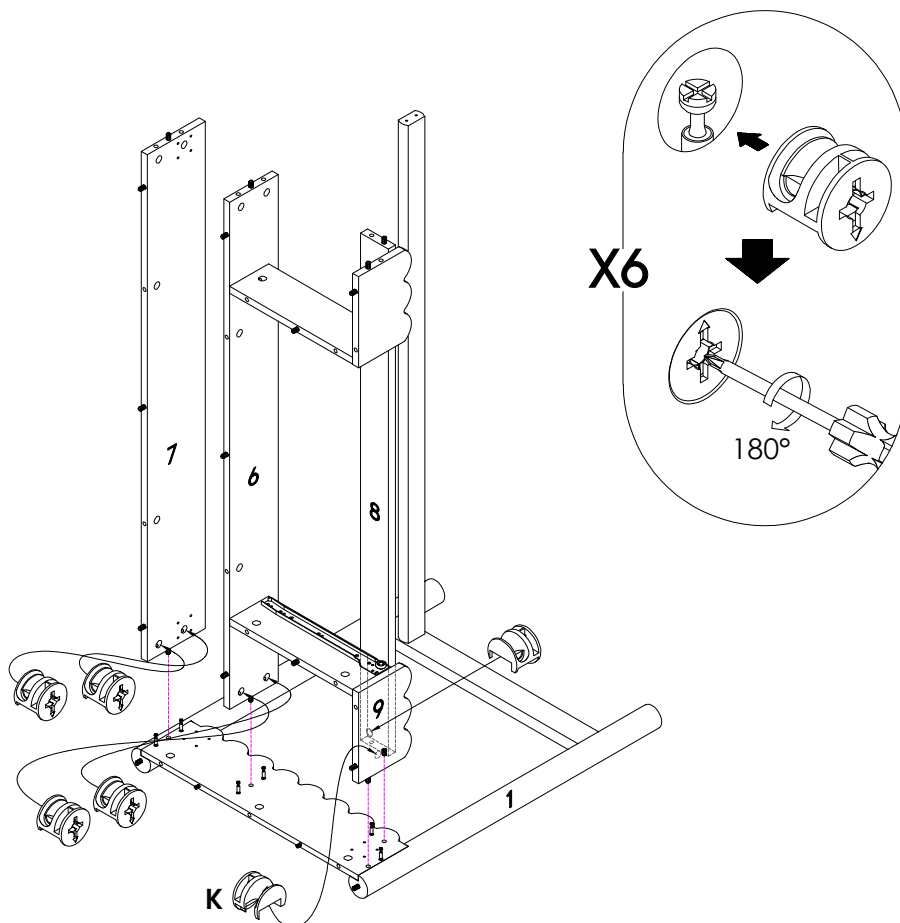
Step 7

HARDWARE

- K** Cam Lock 15/15 x6

COMPONENTS

- 1** Side Panel Left x1
- 6** Support Panel Top x1
- 7** Back Panel x1
- 8** Support Panel x1
- 9** Front Panel Left x1



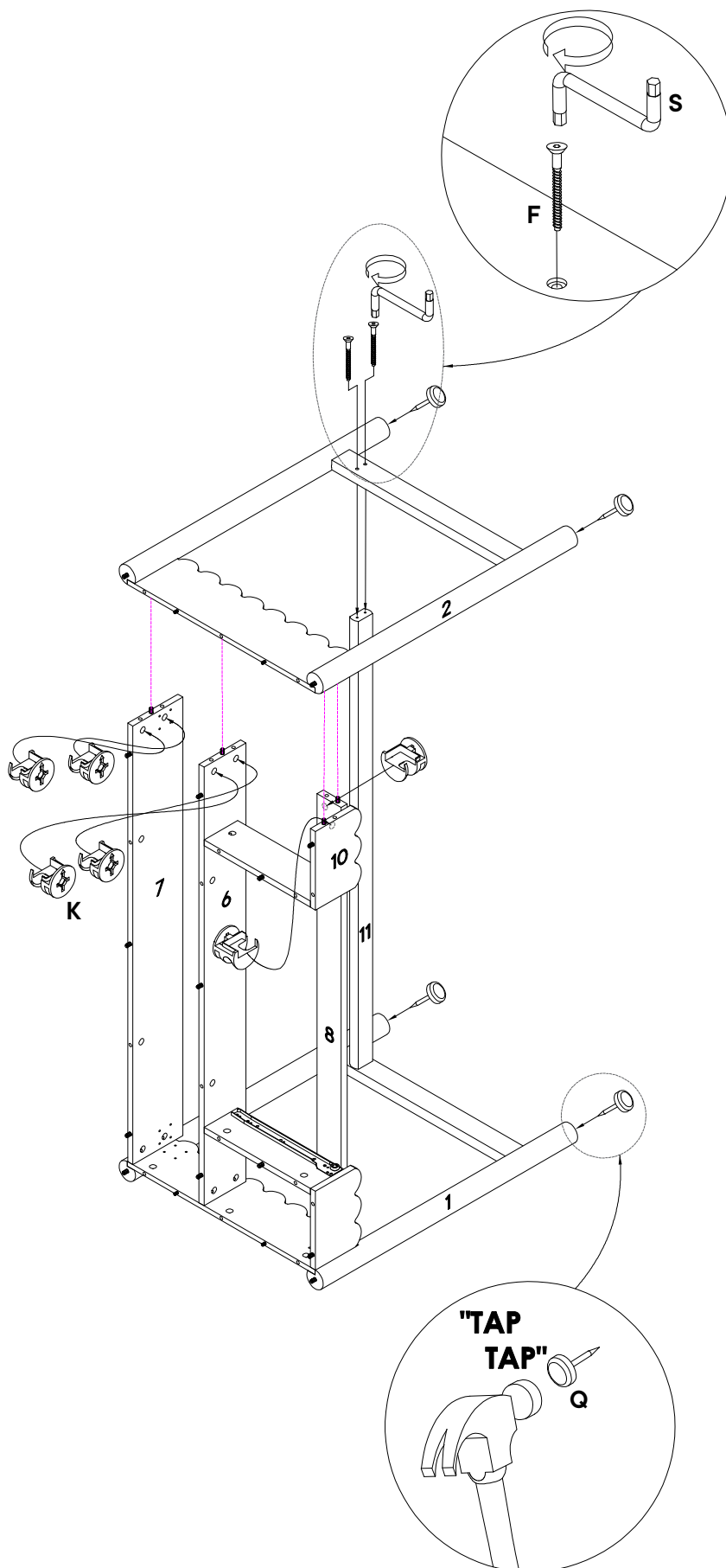
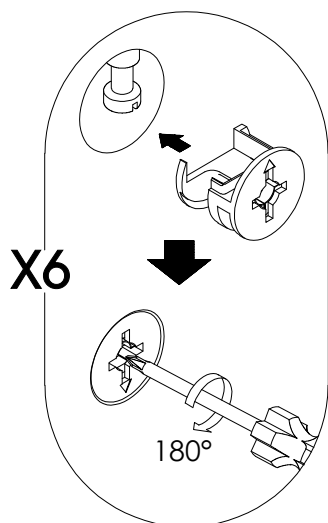
Step 8

HARDWARE

F Screw M6.3 x 50 mm	x2
K Cam Lock 15/15	x6
Q Plastic Leg Stud	x4
S Allen Key	x1

COMPONENTS

1 Side Panel Left	x1
2 Side Panel Right	x1
6 Support Panel Top	x1
7 Back Panel	x1
8 Support Panel	x1
10 Front Panel Right	x1
11 Support Panel Bottom	x1



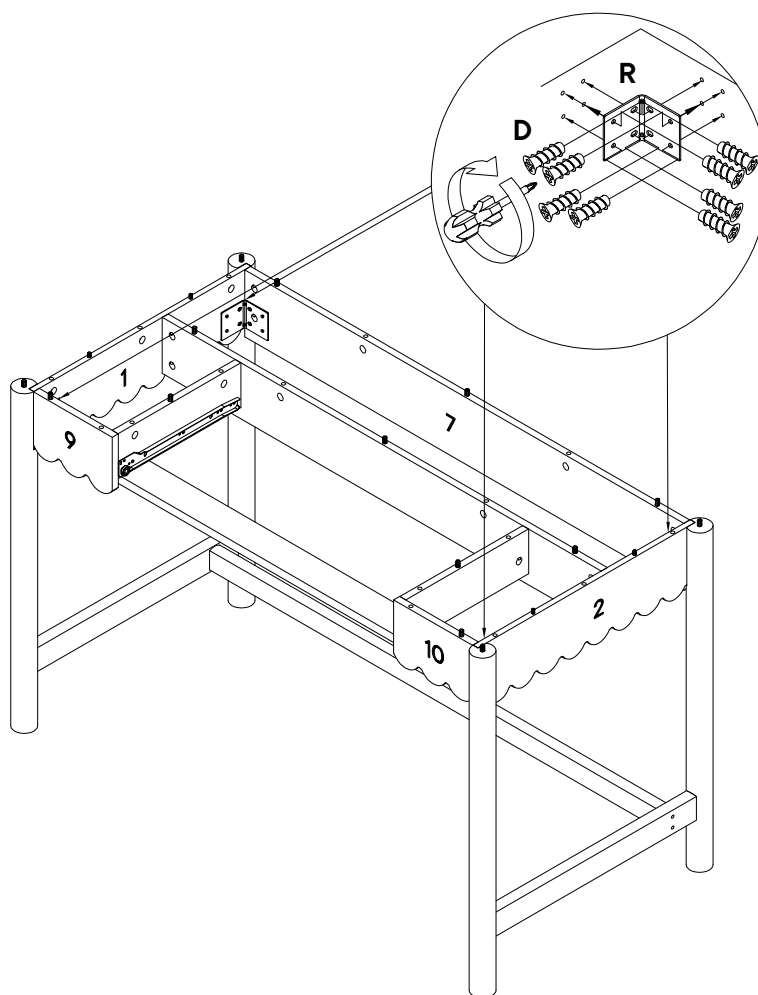
Step 9

HARDWARE

- D** Screw M6 x 13 mm x32
- R** Metal Bracket x4

COMPONENTS

- 1** Side Panel Left x1
- 2** Side Panel Right x1
- 7** Back Panel x1
- 9** Front Panel Left x1
- 10** Front Panel Right x1



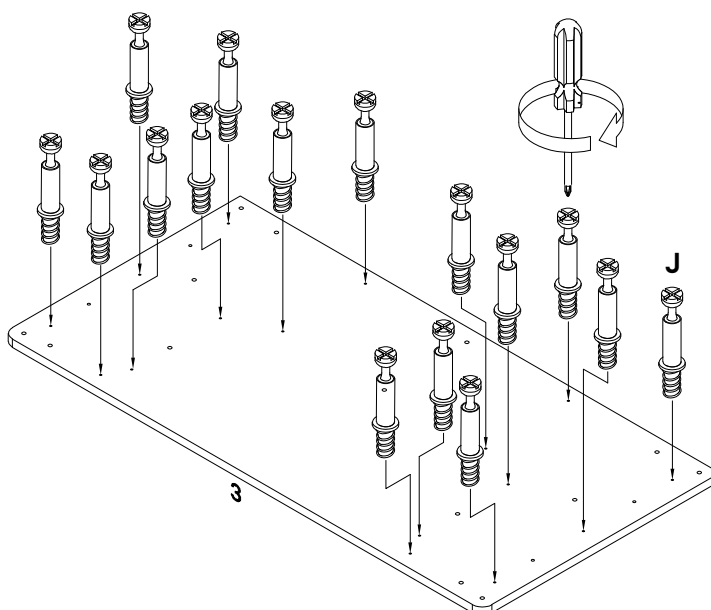
Step 10

HARDWARE

- J** Cam Bolt 20 x 5 mm x16

COMPONENTS

- 3** Top Panel x1



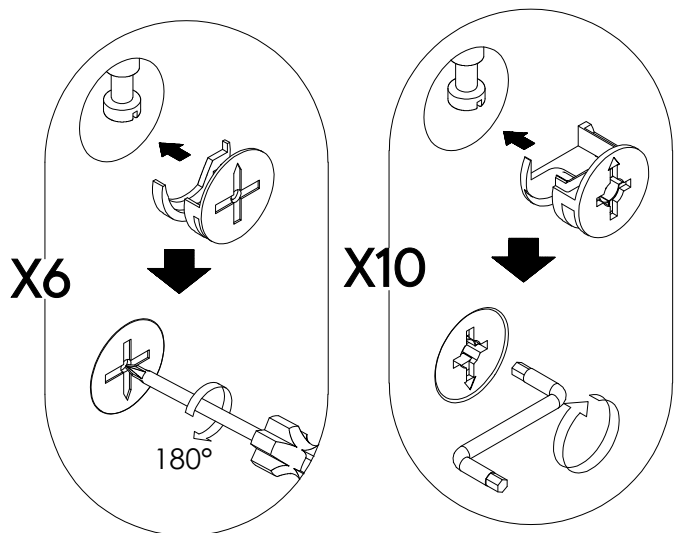
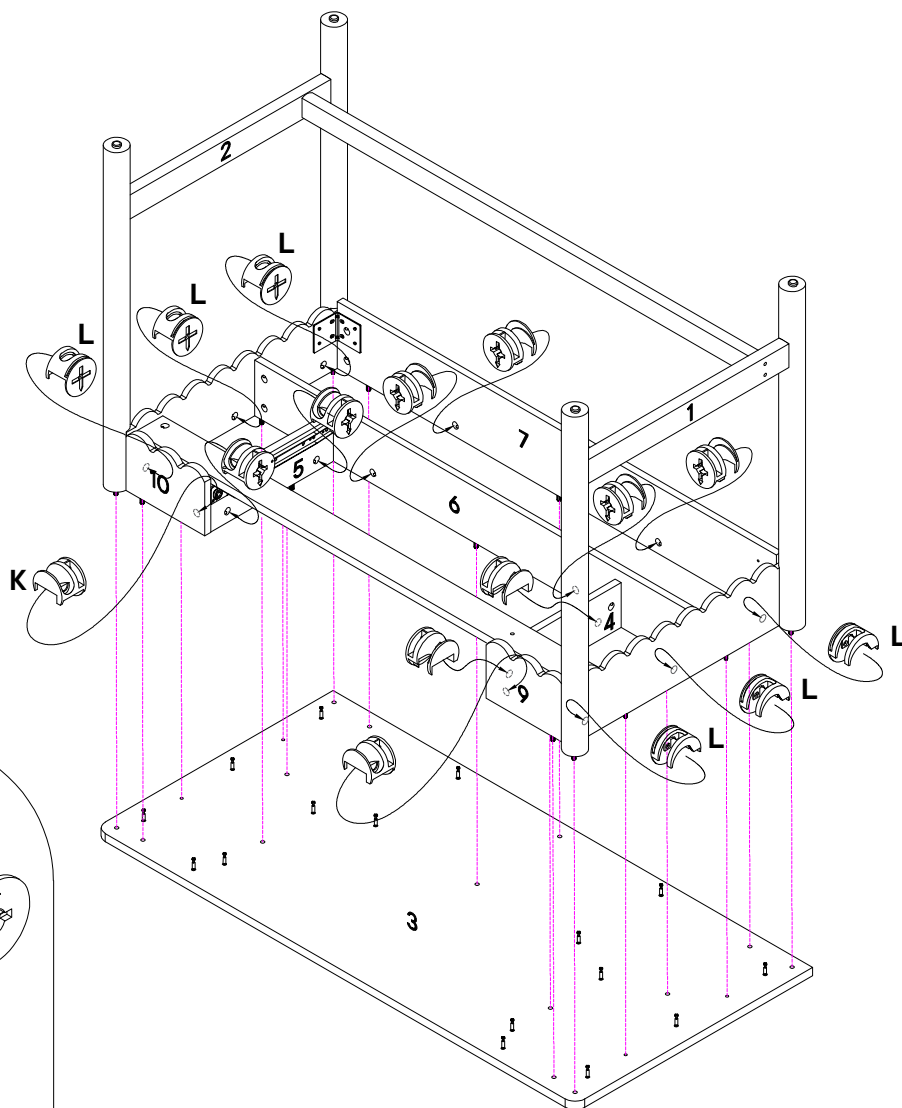
Step 11

HARDWARE

- K** Cam Lock 15/15 x10
- L** Cam Lock 15/12 x6

COMPONENTS

- 1** Side Panel Left x1
- 2** Side Panel Right x1
- 3** Top Panel x1
- 4** Divider Panel Left x1
- 5** Divider Panel Right x1
- 6** Support Panel Top x1
- 7** Back Panel x1
- 9** Front Panel Left x1
- 10** Front Panel Right x1



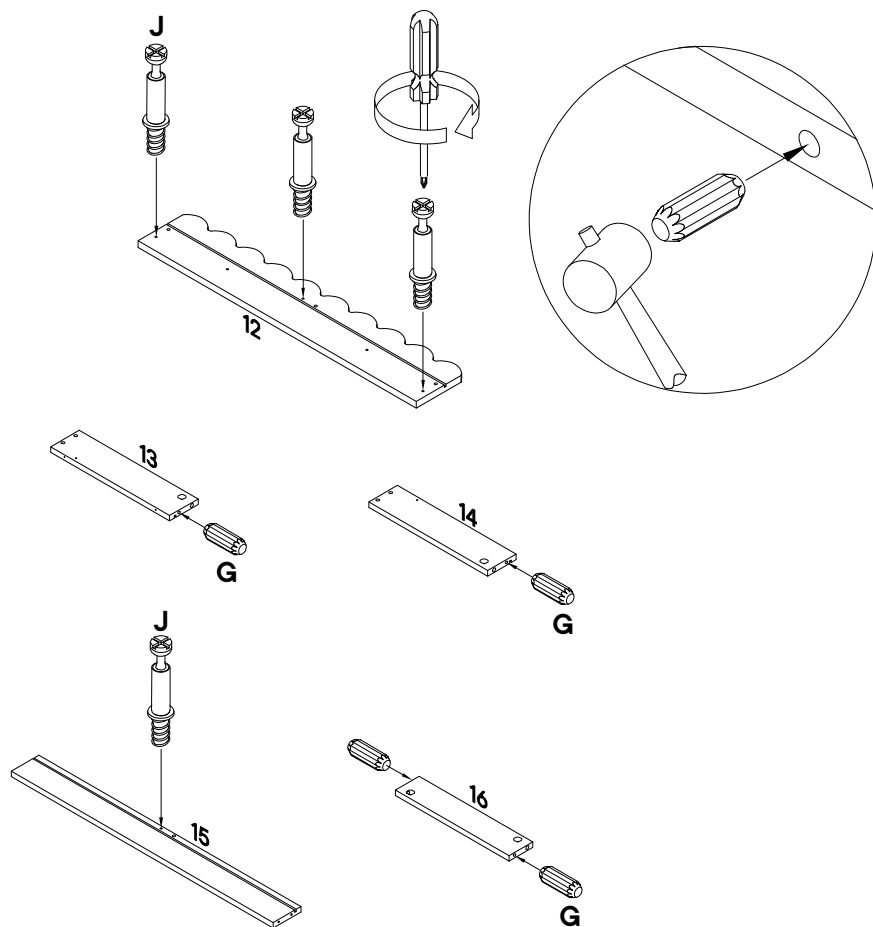
Step 12

HARDWARE

- G** Wood Dowel Ø6 x 20 mm x4
- J** Cam Bolt 20 x 5 mm x4

COMPONENTS

- 12** Drawer Front x1
- 13** Drawer Side Left x1
- 14** Drawer Side Right x1
- 15** Drawer Back x1
- 16** Drawer Support x1



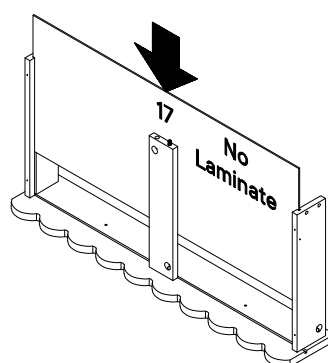
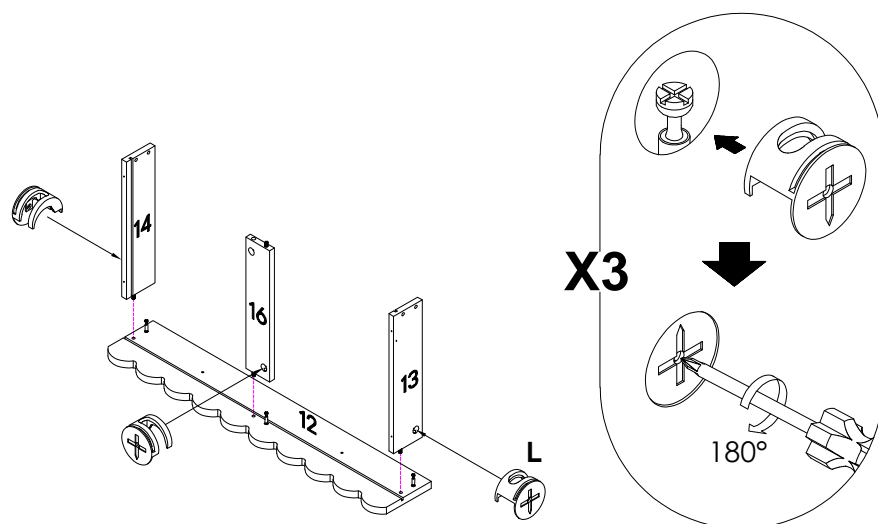
Step 13

HARDWARE

- L** Cam Lock 15/12 x3

COMPONENTS

- 12** Drawer Front x1
- 13** Drawer Side Left x1
- 14** Drawer Side Right x1
- 16** Drawer Support x1
- 17** Drawer Bottom x1



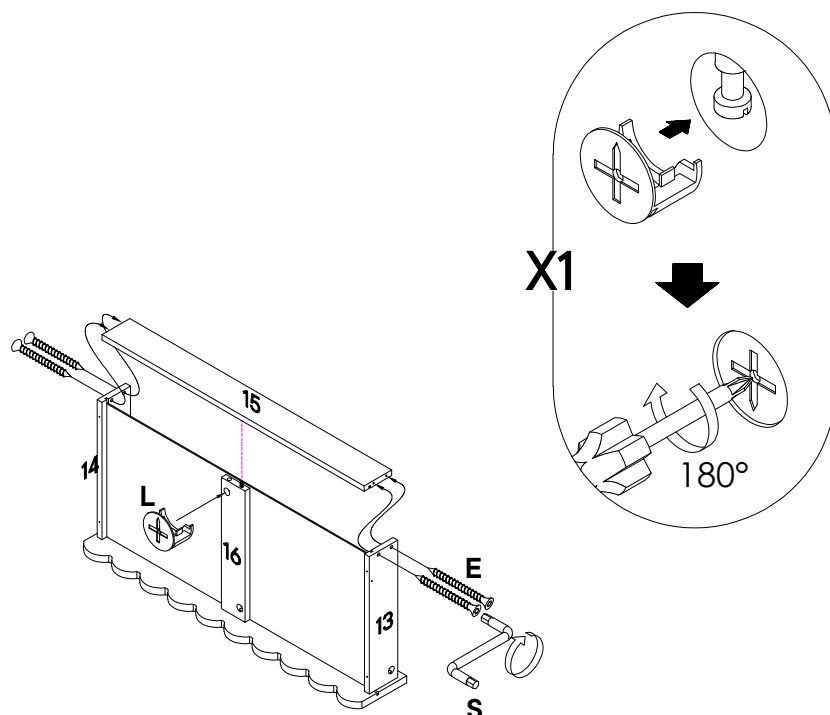
Step 14

HARDWARE

E Screw M6 x 40 mm	x4
L Cam Lock 15/12	x1
S Allen Key	x1

COMPONENTS

13 Drawer Side Left	x1
14 Drawer Side Right	x1
15 Drawer Back	x1
16 Drawer Support	x1



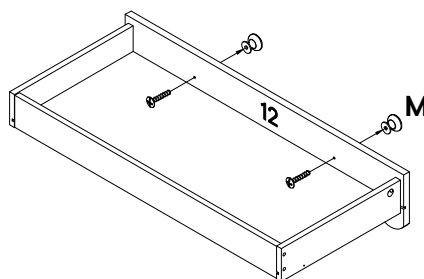
Step 15

HARDWARE

M Handle	x2
-----------------	----

COMPONENTS

12 Drawer Front	x1
------------------------	----



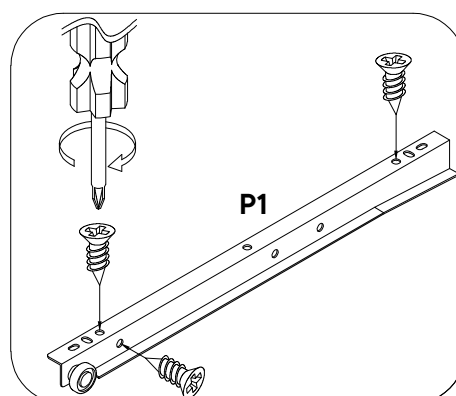
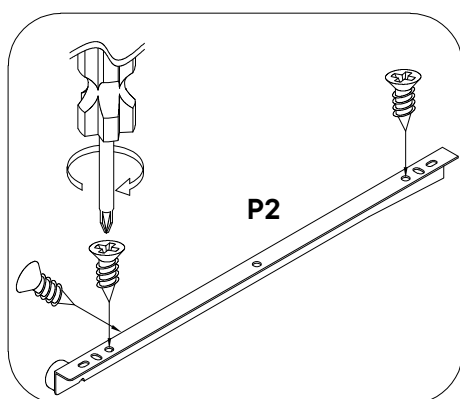
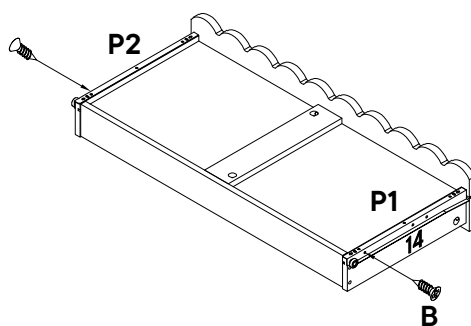
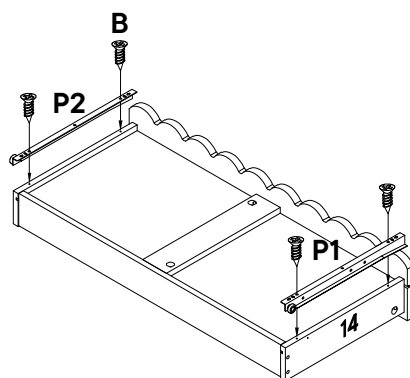
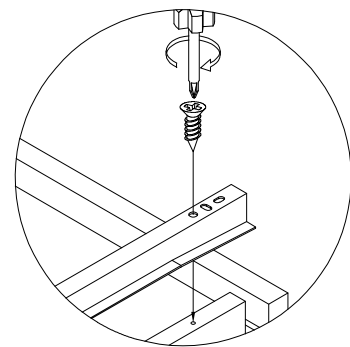
Step 16

HARDWARE

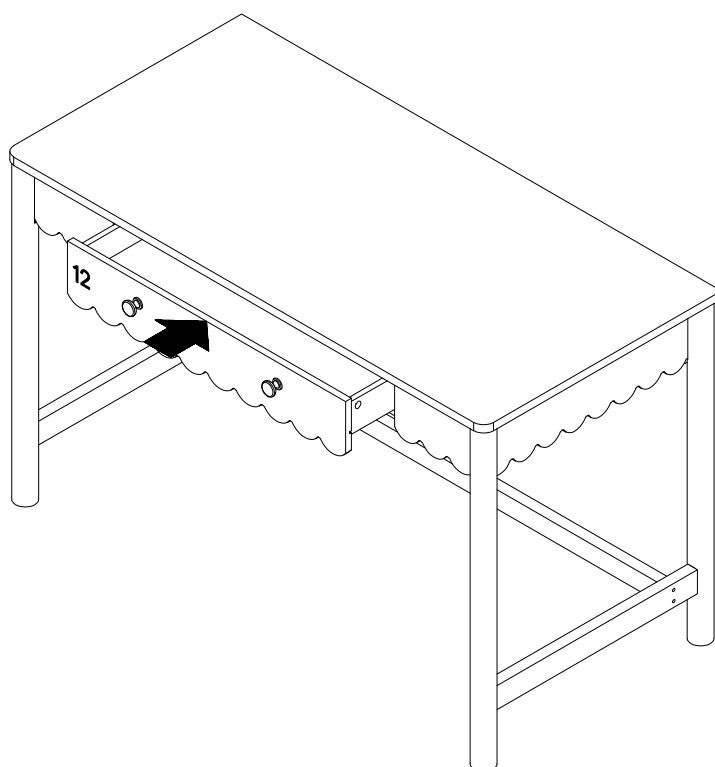
B Screw M3.5 x 12 mm	x6
P1 Drawer Slide DR (300mm)	x1
P2 Drawer Slide DL (300mm)	x1

COMPONENTS

13 Drawer Side Left	x1
14 Drawer Side Right	x1



Step 17



Great job!

Your New Table is complete

♥ CARING FOR YOUR ITEM

Indoor use only

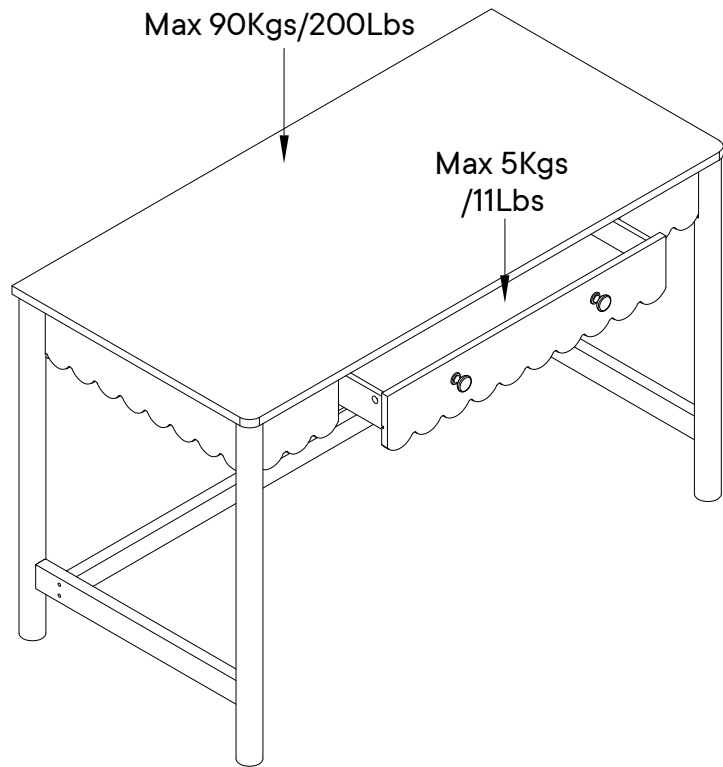
Not contract grade.

Clean using a non-abrasive cloth and a mild cleaner.

Never use harsh chemical, as they could damage the finish or integrity of the item.

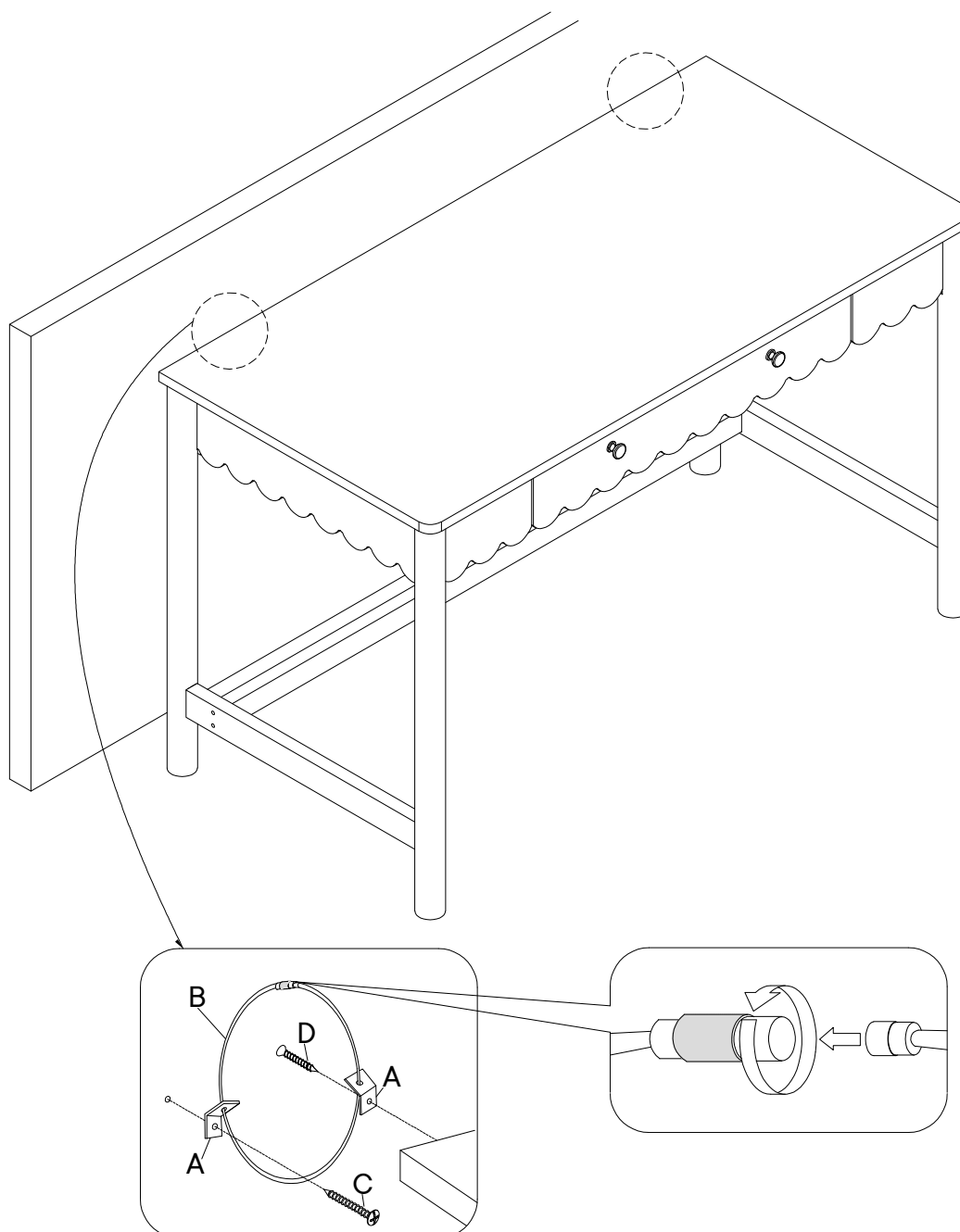
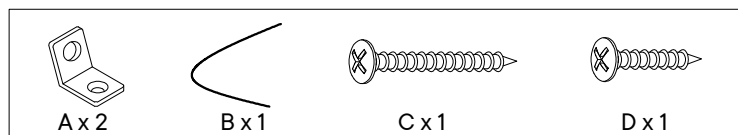
CONNECT WITH US!   

Tag us [@modway_furniture](#) and [#modway](#) for a chance to be featured.



TIPPING RESTRAINTS KIT INSTALLATION GUIDANCE

This tipping restraint is not an earthquake restraint. If you wish to add the extra security of earthquake restraints, they must be purchased and installed separately.



Installation Instructions :

1. Determine where the furniture is to be placed and find the center line of a wooden stud using a stud finder.
2. Drill a 1/8" pilot hole on the wooden stud approximately 3" below the height of unit top.
3. Attach one bracket (A) securely with screw (C) into the pilot hole on the wall.
4. Position the furniture in place and attach the other bracket (A) with screw (D) to the back edge of unit top in line with the bracket (A) on the wall.
5. Put the male end of the steel cable (B) through each bracket. Securely connect both ends together by turning the female connector clockwise.