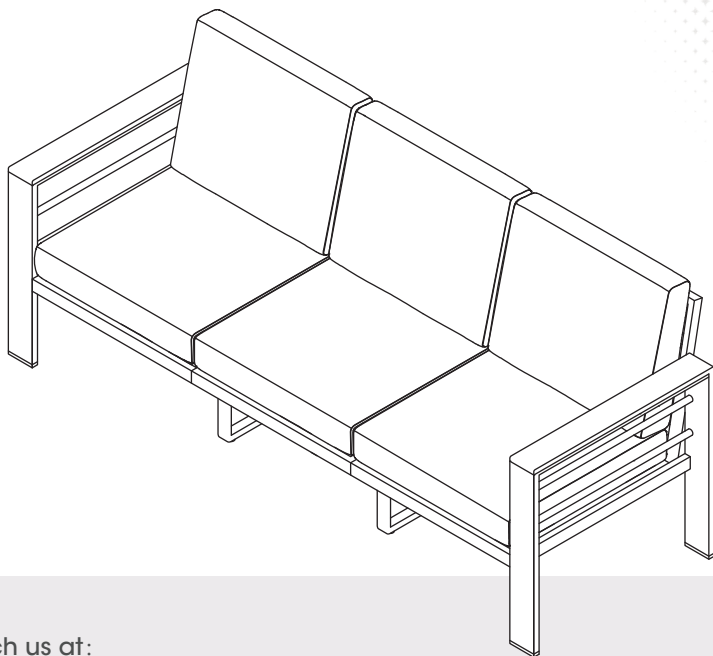



# MANUAL INSTRUCTION

## Aluminum three-seat sofa



Aluminum three-seat sofa

Reach us at:

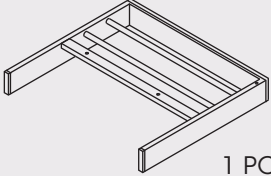
 [service@kmcglobe-us.com](mailto:service@kmcglobe-us.com)

 (only us) +1 213-816-4788

We offer a diverse range of products to  
meet the needs of customers.

# PARTS

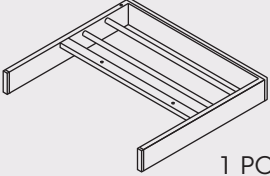
**A** Right Armrest



1 PC

The diagram shows a right armrest component, which is a rectangular frame with a flat top surface and a vertical backrest section.

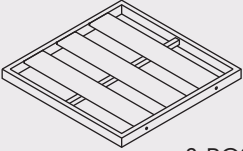
**B** Left Armrest



1 PC

The diagram shows a left armrest component, which is a rectangular frame with a flat top surface and a vertical backrest section, mirroring the right armrest.

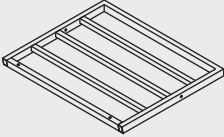
**C** Seat plate



3 PCS

The diagram shows three seat plate components, which are rectangular frames with a flat top surface and a vertical backrest section.

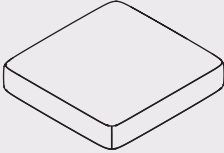
**D** Back plate



3 PCS

The diagram shows three back plate components, which are rectangular frames with a flat top surface and a vertical backrest section.

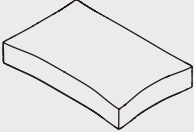
**E** Seat cushion



3 PCS

The diagram shows three seat cushion components, which are rectangular pads with a slightly curved top surface.

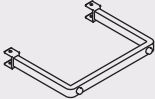
**F** Back cushion



3 PCS

The diagram shows three back cushion components, which are rectangular pads with a curved top surface.

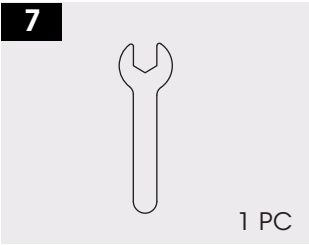
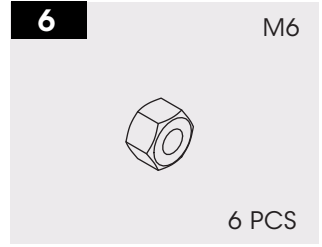
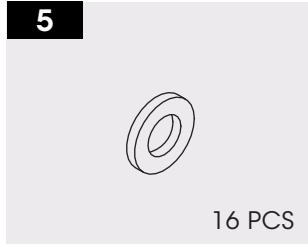
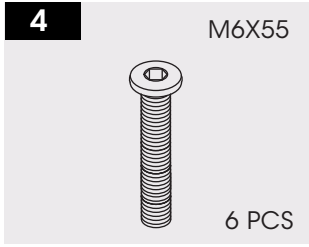
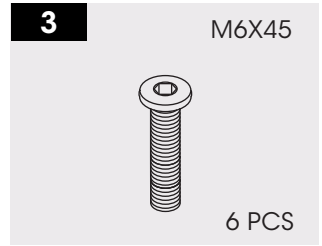
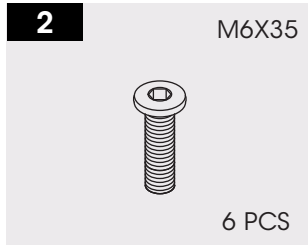
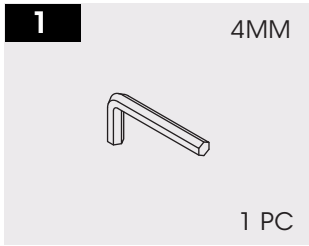
**G** Middle leg



2 PCS

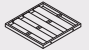



The diagram shows two middle leg components, which are L-shaped metal brackets with a circular hole at the end of the vertical leg.

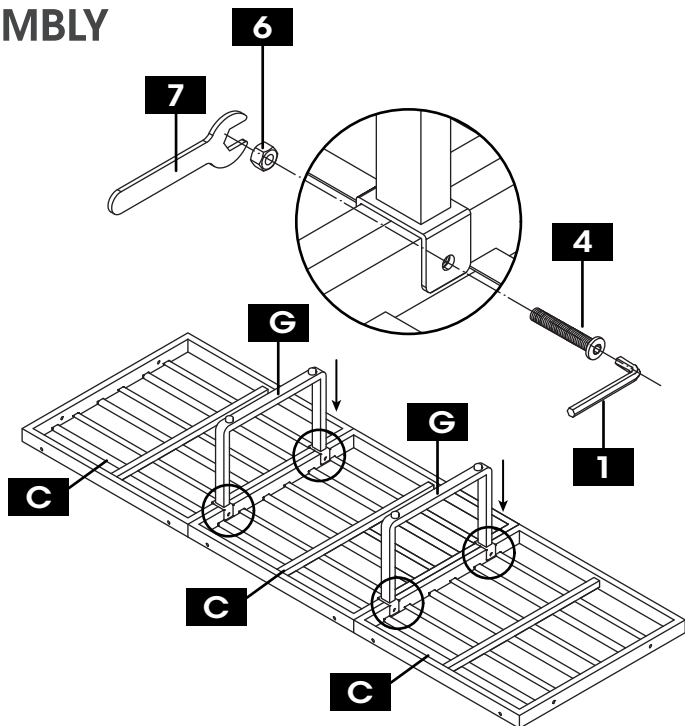
# HARDWARE







# I PRODUCT ASSEMBLY

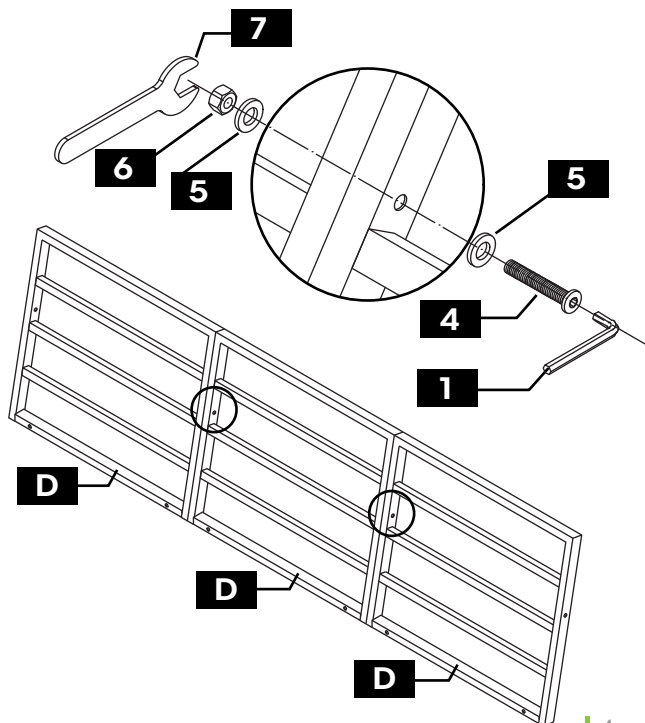
## 1 Step 1

PART	NO.	QTY.
	<b>C</b>	3
	<b>G</b>	2
	<b>4</b>	4
	<b>6</b>	4





## 2 Step 2

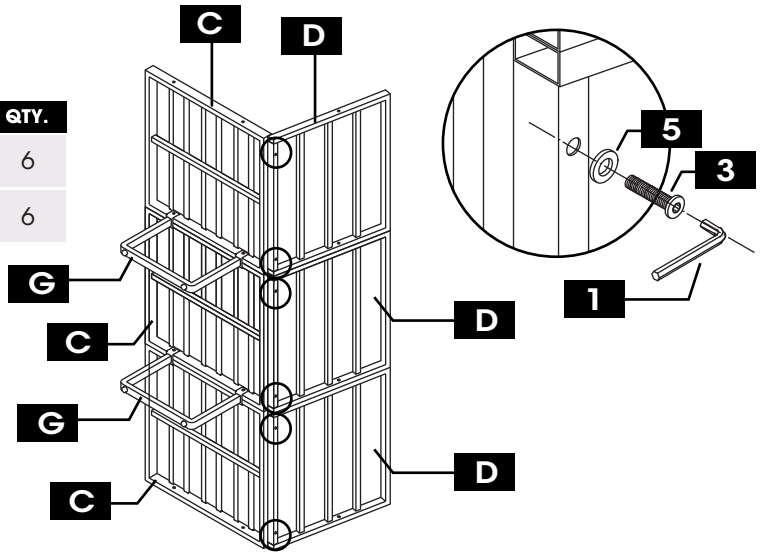
PART	NO.	QTY.
	<b>D</b>	3
	<b>4</b>	2
	<b>5</b>	4
	<b>6</b>	2





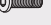
# I PRODUCT ASSEMBLY

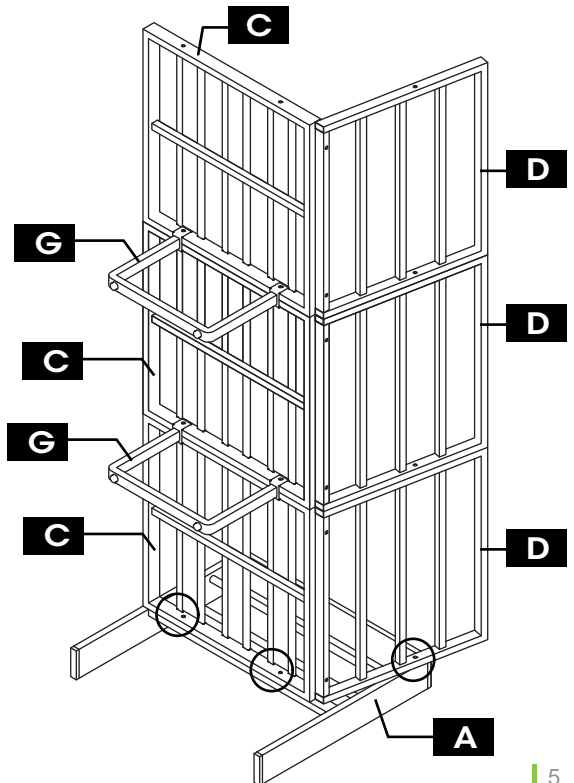
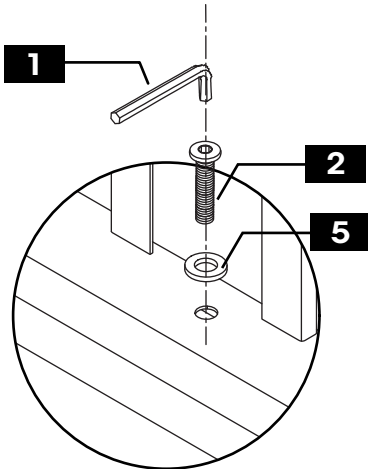
## 3 Step 3

PART	NO.	QTY.
	<b>3</b>	6
	<b>5</b>	6






## 4 Step 4

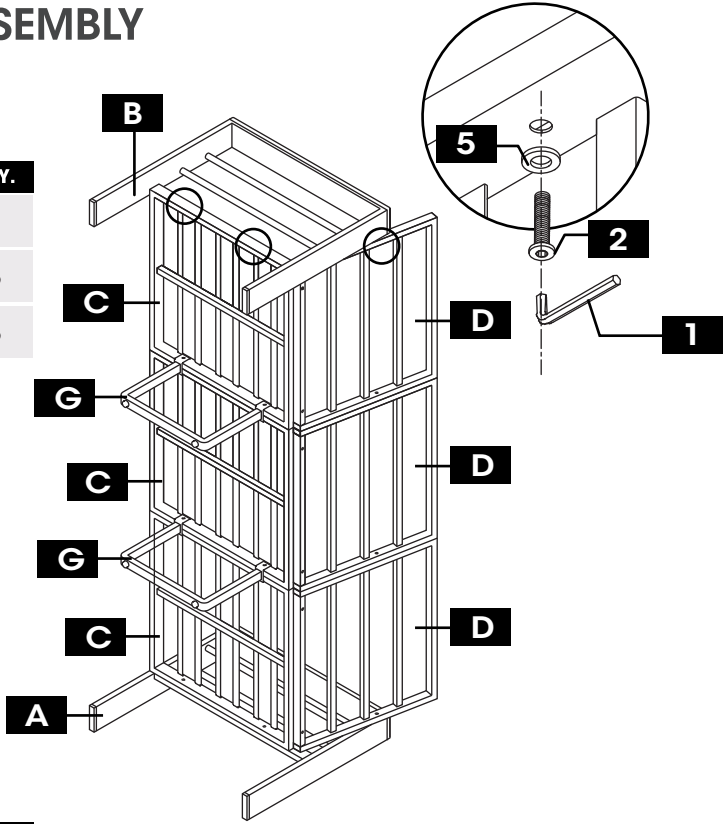
PART	NO.	QTY.
	<b>A</b>	1
	<b>5</b>	3
	<b>2</b>	3





# I PRODUCT ASSEMBLY

## 5 Step 5

PART	NO.	QTY.
	<b>B</b>	1
	<b>5</b>	3
	<b>2</b>	3



## 6 Step 6

PART	NO.	QTY.
	<b>F</b>	3
	<b>E</b>	3

