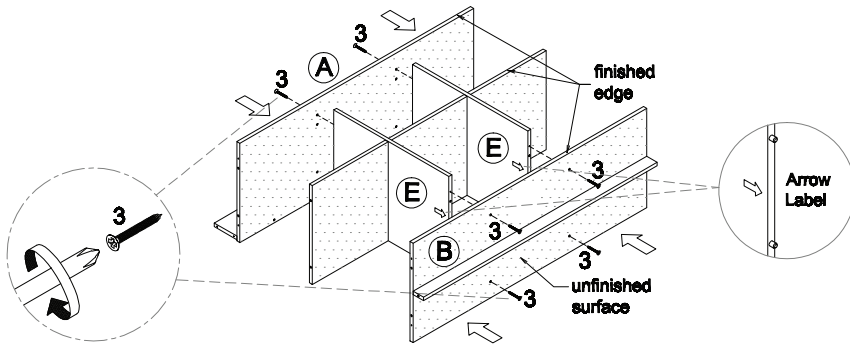


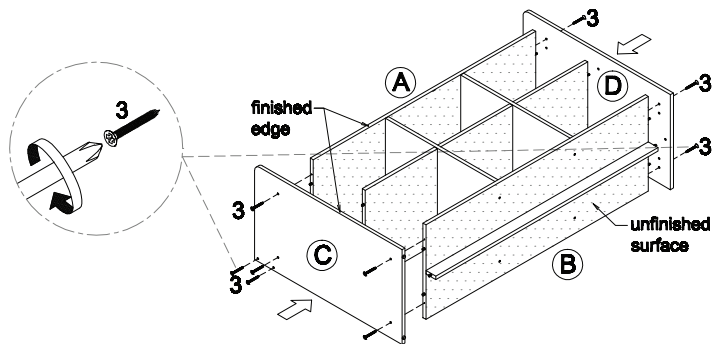
**STEP 6**

Attach Panel (A&B) to assembled unit with Screw (3), as shown.



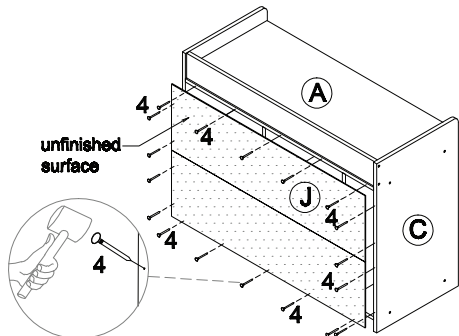
**STEP 7**

Attach Panel (C&D) to assembled unit with Screw (3), as shown.



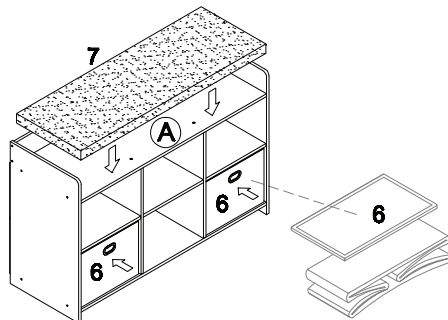
**STEP 8**

Attach Panel (J) to the back position of storage with Power Pin (4).



**STEP 9**

Unfold Bin (6) and slide into the bottom storage. Put the Cushion (7) on top of the Panel (A).



**Assembly Instruction**

Storage Bench with  
Comfy Cushion

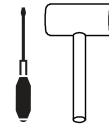
DIMENSION : 36.5"(W) x 23.6"(H) x 13.2"(D)

00:30

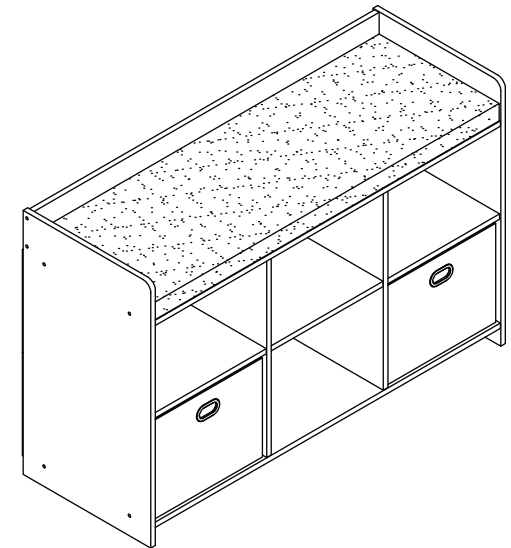
Approx. 30 minutes






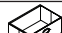




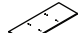
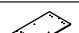
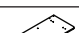
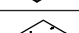
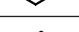

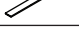
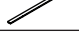
Recomm. 1 Person

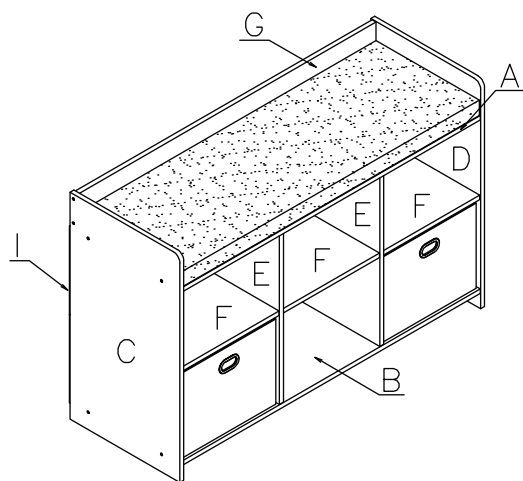


Tool Required



No	Hardware List	Qty
1	Plastic Dowel M6x20mm 	27pcs
2	Plastic Dowel M6x40mm 	4pcs
3	C/B Screw M4x38mm 	23pcs
4	Power Pin 	18pcs
5	Nail Leg 	6pcs
6	Non-Wooven Bin 	2pcs
7	Cushion 	1pc

No	Parts List	Qty
A	Top Panel 	1pc
B	Bottom Panel 	1pc
C	Left Side Panel 	1pc
D	Right Side Panel 	1pc
E	Center Panel 	2pcs
F	Shelf Panel 	3pcs
G	Top Back Panel 	1pc
H	Bottom Bar 	1pc
I	Back Panel 	1pc

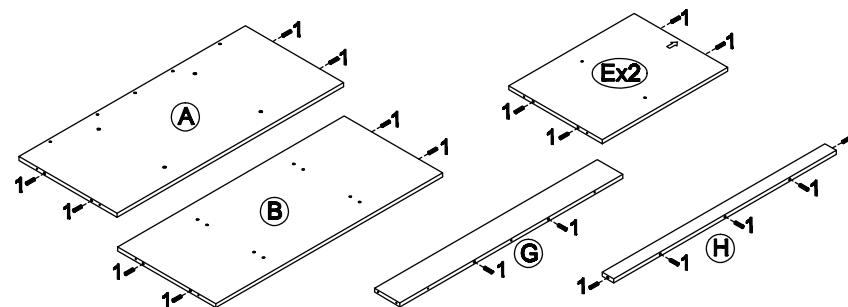


#### USEFUL HINTS BEFORE YOU START:

1. Read each step carefully before starting.
2. It is important that each step is performed in correct order to avoid difficulties.
3. Identify, sort and count the parts before assembly.
4. Assemble your furniture on packaging cardboard to prevent scratch or damage.
5. Clean the product with mild cleanser using soft damped cloth. Do not use harsh or abrasive cleanser.
6. Using incompatible hardware might cause damage to product.

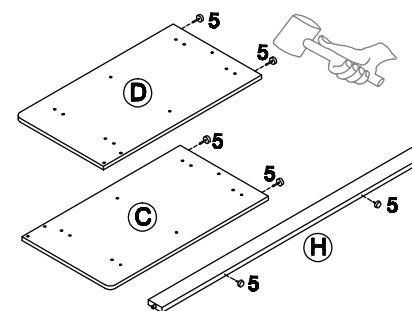
#### STEP 1

Install Dowel (1) into Panel (A)(B)(E)(G)&(H), as shown.



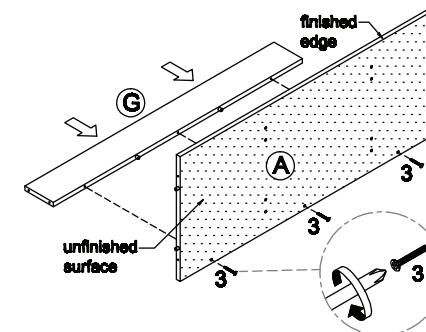
#### STEP 2

Install Nail Leg (5) into Panel (C)(D)&(H) with hammer, as shown.



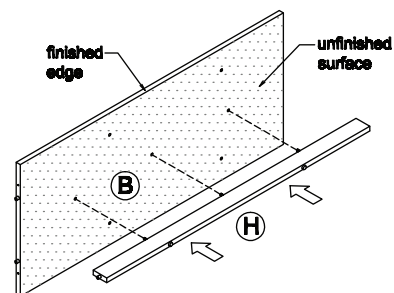
#### STEP 3

Install Panel (G) to Panel (A) with Screw (3), as shown.



#### STEP 4

Attach Panel (H) to Panel (B).



#### STEP 5

Attach Panel (F) to Panel (E) with Dowel (1&2), as shown.

