



HEADBOARD

ASSEMBLY INSTRUCTIONS

Before assembling your Headboard, please read through these instructions carefully, familiarize yourself with the different parts.

Instructions apply for all sizes of bed
> Twin > Full > Queen

PARTS LIST

- 1 HEADBOARD PANEL 1 PC
- 2 LEFT LEG 1 PC
- 3 RIGHT LEG 1 PC

HARDWARE

- a WOODEN DOWEL - 4 pcs
Spare - 1 pc
- b JCB M6 X 35mm(1 3/8") - 4 pcs
Spare - 1 pc
- c JCB M6 X 70mm(2 3/4") - 4 pcs
Spare - 1 pc
- d Barrel Nut - 4 pcs
Spare - 1 pc
- e Allen Wrench - 1 pc
Spare - 1 pc

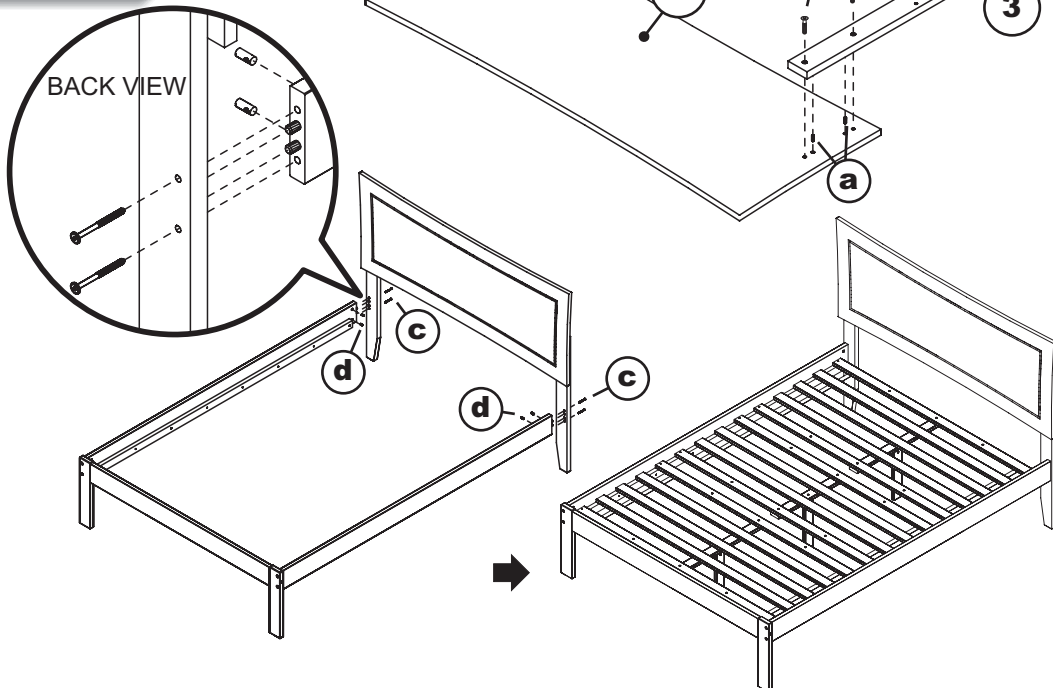
NOTE : WE INCLUDE SPARE HARDWARE IN CASE THE ALLEN WRENCH, JCB, WOODEN DOWEL, BARREL NUT, SPLIT OR FLAT WASHER ARE DAMAGED DURING ASSEMBLY.

Step 1

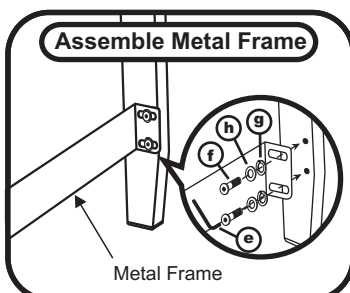
Attach the legs (2)(3) to headboard panel (1), using wooden dowel (a), JCB (b). Tighten with the Allen wrench (e).



Step 2



Attach bed frame assemblies to the headboard assemblies, using JCB M6 X 70mm (c) and barrel nut (d) as shown. Tighten with allen wrench (e). For Slat kit assembly, follow assembly instructions included with slat kit.



HARDWARE

For Headboard to Metal Bed Frame

- f 1" Allen Bolts - 4 pcs
Spare - 1 pc
For Headboard to metal Bed Frame
- g Split Washer - 4 pcs
Spare - 1 pc
- h Flat Washer - 4 pcs
Spare - 1 pc