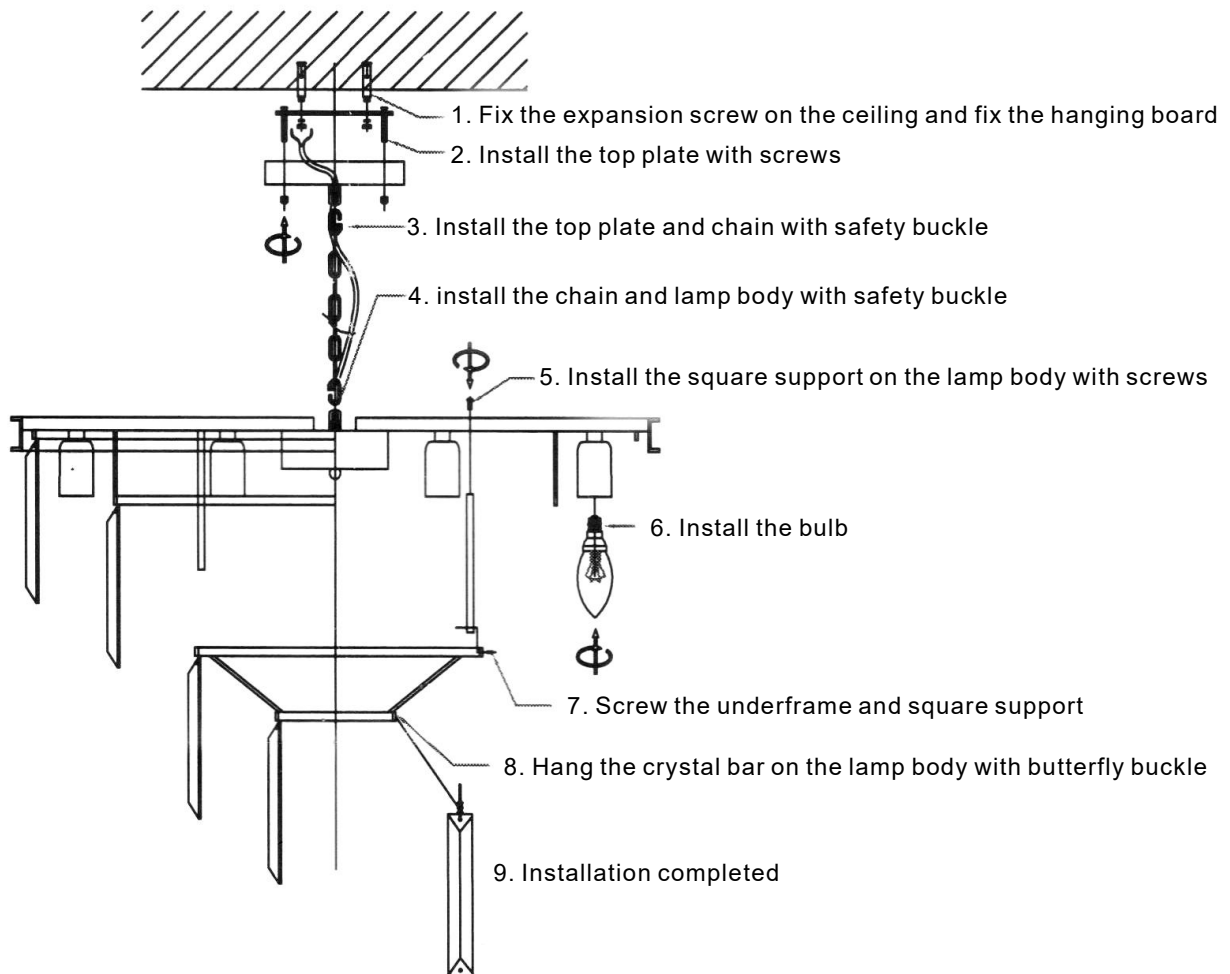


Installation manual of lamps (chandelier)



	Crystal pendant	number
A	22 * 150 triangle crystal strip	156 strings
B		
C		
D		
E		

Safety instructions

1. Lamps must be installed by skilled electricians
2. Please check the wiring on the ceiling before drilling
3. After replacing the bulb, please check whether the bulb conducts well
4. Do not change the bulb when the light is on
5. The ambient temperature for installing lamps shall not be higher than 40°C
6. Do not place heat insulation articles on lamps
7. Install on non conductive surface
8. The conductors of different kinds of lamps shall not contact each other
9. When the light bulb is broken, please replace it immediately. Please use regular products
10. Do not clean the lamps with water