

## ASSEMBLY INSTRUCTIONS FOR ROCKING CHAIRS

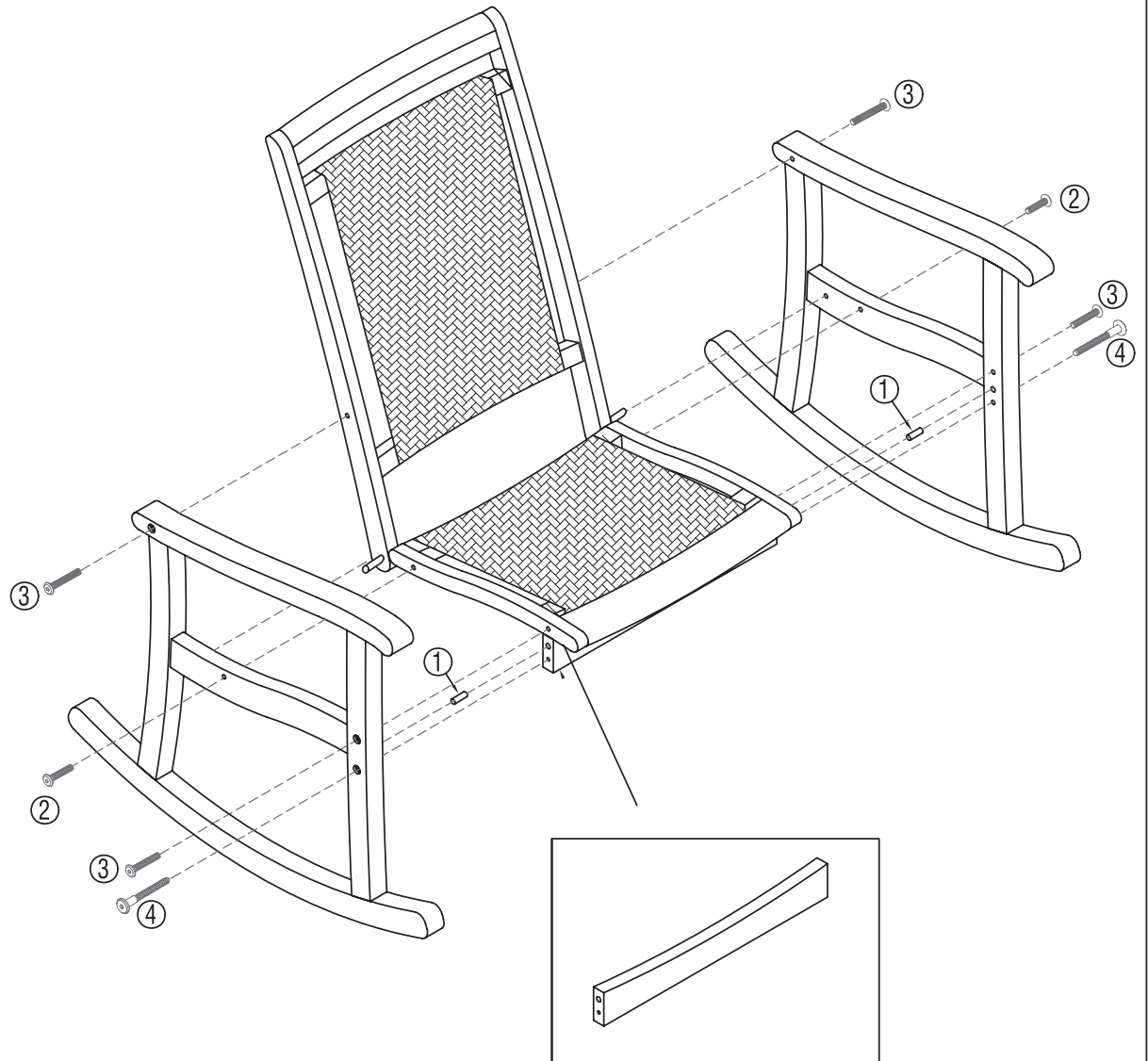
### **STOP! PLEASE READ FIRST:**




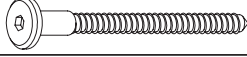

Thank you for purchasing this item  
Please verify all the hardware and components are included  
as you unpack the carton. Place the items in a safe area to  
avoid loss and damaging contents. Use a soft area or the  
empty box to assemble the item.

**ASSEMBLY TIPS:** Assemble on its side while following pictured  
instructions. Please pre-inserted dowel pin. Never over-tighten  
any screws or bolts. It 's best to assemble are with 2 people.  
Never fully tighten any bolt/screw until all inserted on each  
side. Then tighten.

Please visit our website if you have any question

Please review the "PLEASE OIL ME" card for how to care &  
maintain your new furniture.



NO.	LIST OF HARDWARE	QTY.
1	WOODEN DOWEL 10*40 	02
2	BOLTS 8*40 	02
3	BOLTS 8*60 	04
4	SCREW 7*90 	02
5	ALLEN KEY A4 	01