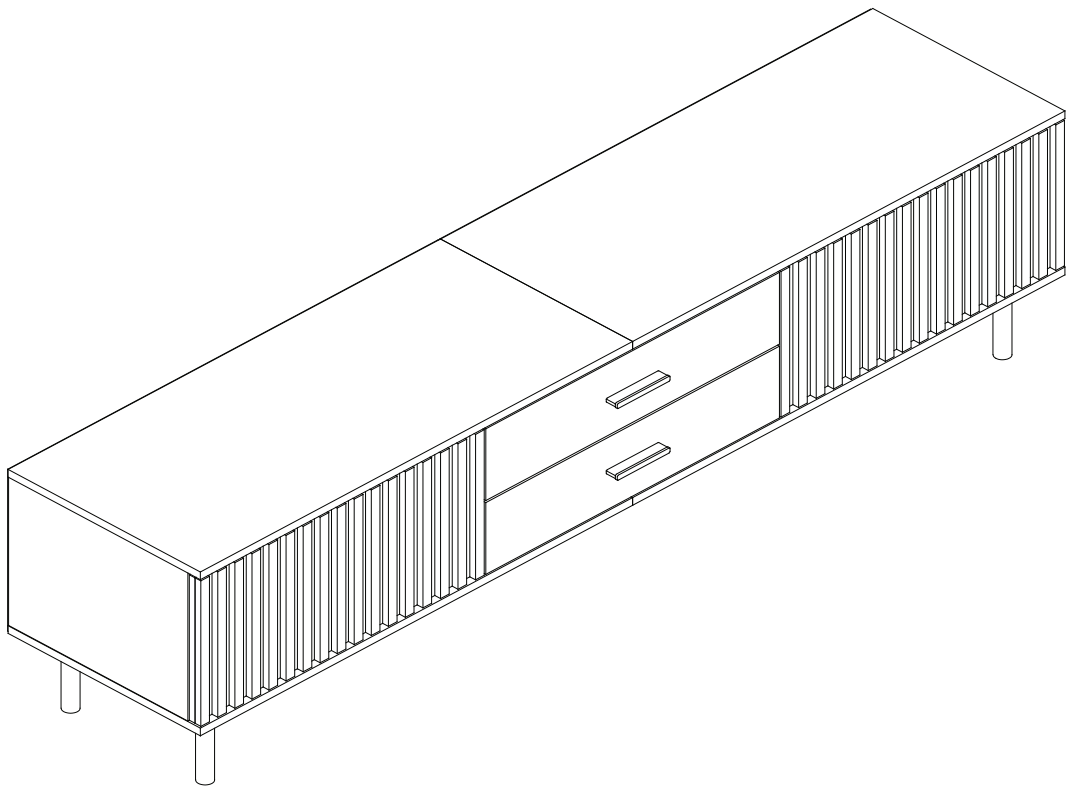
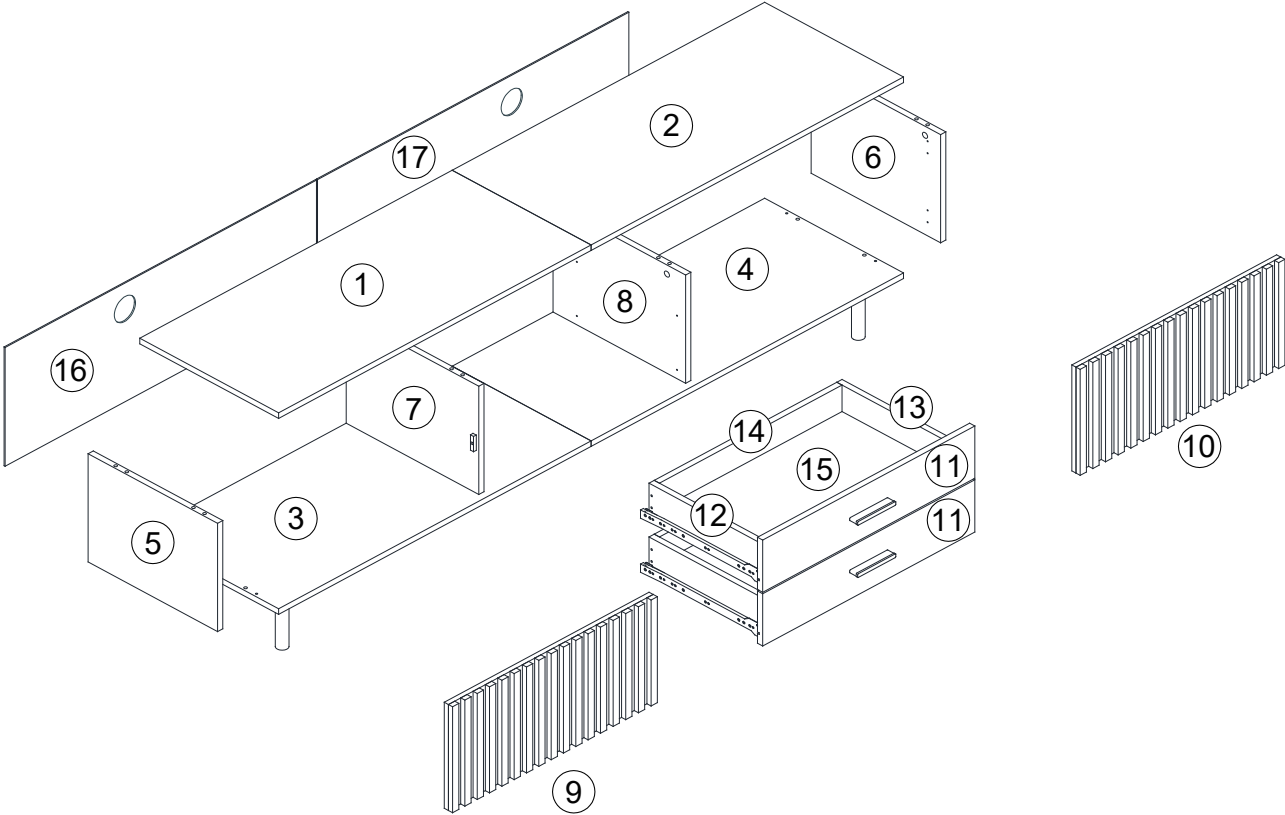


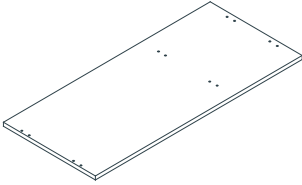
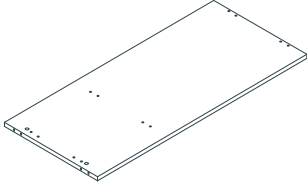
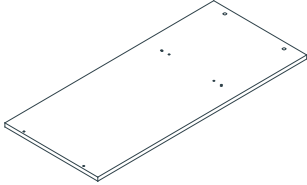
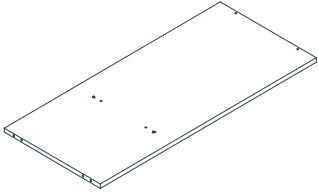
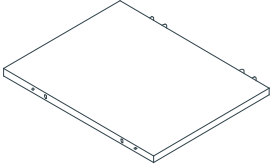
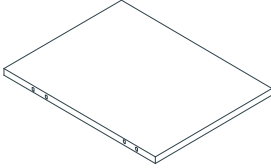
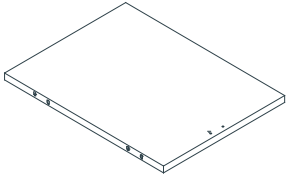
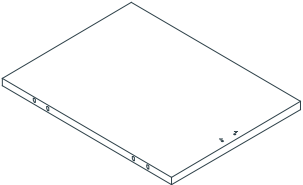
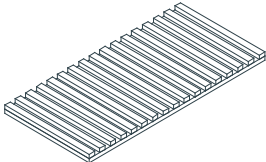
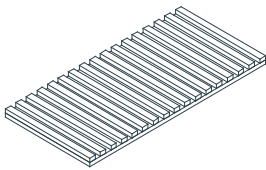
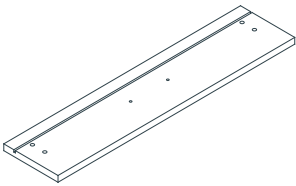
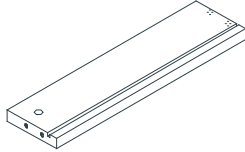
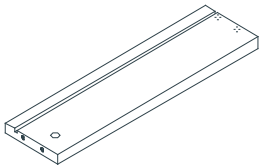
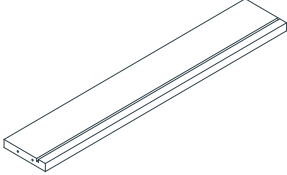
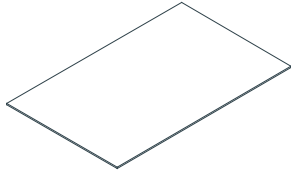
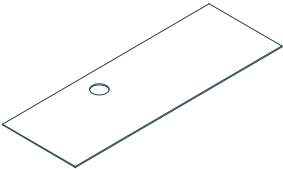
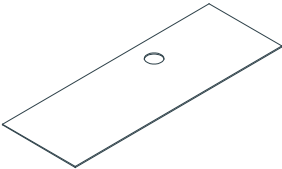
ASSEMBLY INSTRUCTIONS



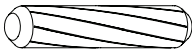



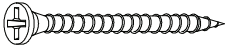
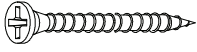
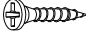
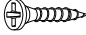
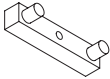

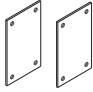
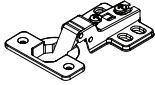
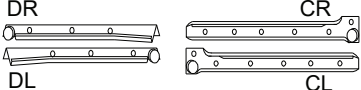

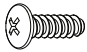
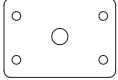
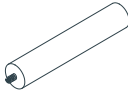
Detail View



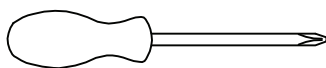
Part List

<p>1</p>  <p>Top Panel (Left) - 1pc</p>	<p>2</p>  <p>Top Panel (Right) - 1pc</p>	<p>3</p>  <p>Bottom Panel (Left) - 1 pc</p>
<p>4</p>  <p>Bottom Panel (Right) - 1 pc</p>	<p>5</p>  <p>Side Panel (Left) - 1 pc</p>	<p>6</p>  <p>Side Panel (Right) - 1 pc</p>
<p>7</p>  <p>Center Panel (Left) - 1pc</p>	<p>8</p>  <p>Center Panel (Right) - 1pc</p>	<p>9</p>  <p>Door Panel (Left) - 1 pc</p>
<p>10</p>  <p>Door Panel (Right) - 1pc</p>	<p>11</p>  <p>Front Panel Drawer - 2 pcs</p>	<p>12</p>  <p>Drawer Side Panel (Left) - 2 pcs</p>
<p>13</p>  <p>Drawer Side Panel (Right) - 2 pcs</p>	<p>14</p>  <p>Drawer Back Panel - 2 pcs</p>	<p>15</p>  <p>Drawer Bottom Panel - 2 pcs</p>
<p>16</p>  <p>Back Panel - 1 pc</p>	<p>17</p>  <p>Back Panel - 1 pc</p>	

Hardware List



A  Ø8*30mm	B  Ø8*50mm	C 
Wood Dowel (20 pcs)	Wood Dowel (4 pcs)	Cam Nut (16 pcs)
D 	E  Ø4 x 45mm	F  Ø4*38mm
Cam Bolt (16 pcs)	Chip Board Screw (8 pcs)	Chip Board Screw (8 pcs)
G  Ø3.5 x 16mm	H  Ø3.5 x 12mm	I 
Chip Board Screw (74 pcs)	Chip Board Screw (8 pcs)	PVC Door Stopper (2 pcs)
J  3/4"	K 	L  5/8"
Nails (44 pcs)	Metal Plate (4 pcs)	Hydraulic Hinges (4 pcs)
M  14"	N 	O  M4 x 20mm
Drawer Slide (2 sets)	Metal Handle (2 pcs)	T/MS Screw (4 pcs)
P  M6 Hole	Q 	
Metal Plate (6 pcs)	Rubber Leg (6 pcs)	

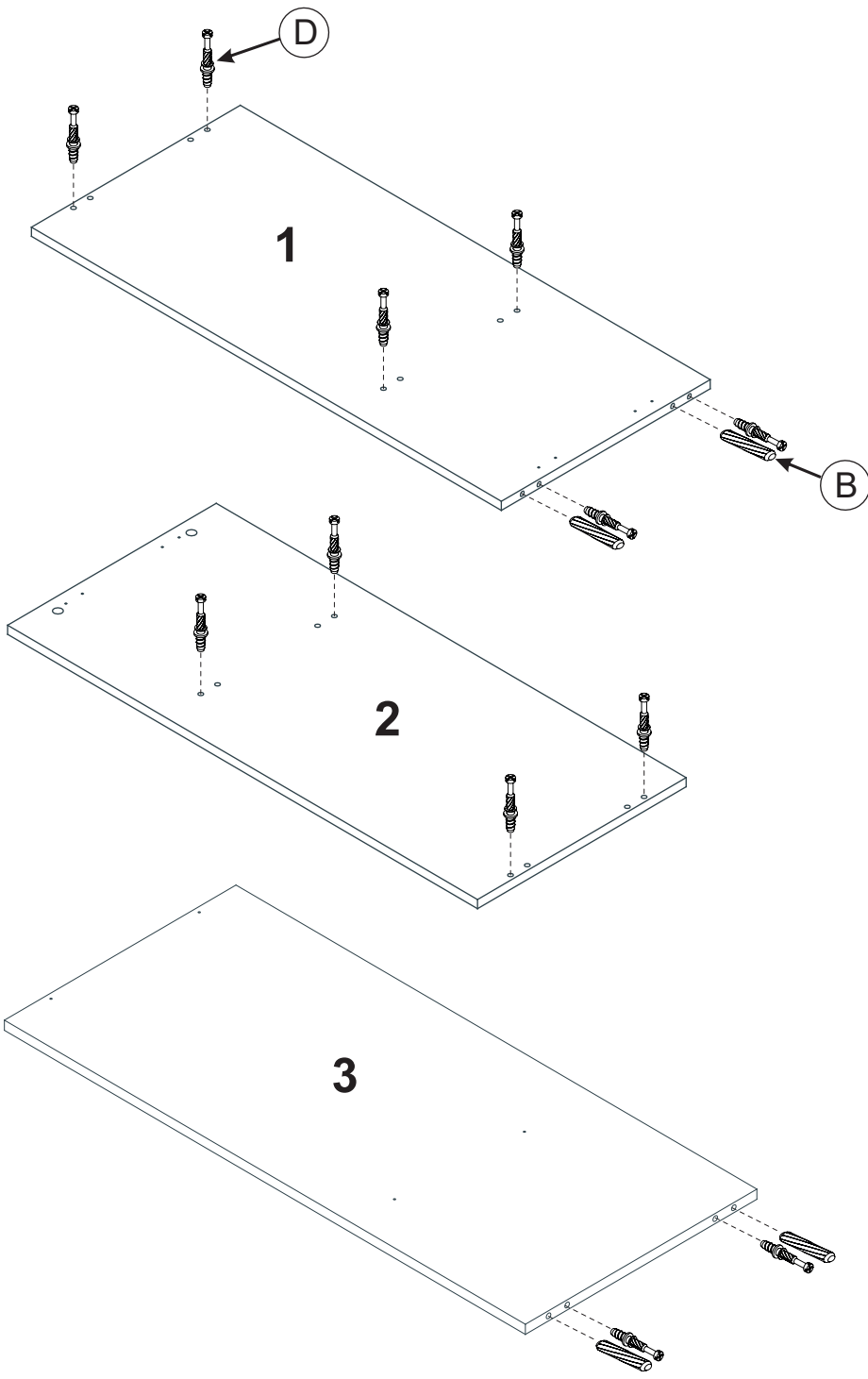
ASSEMBLY TOOLS REQUIRED (NOT INCLUDED)




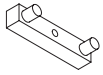
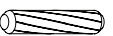
PLEASE BE CAREFUL DO NOT DAMAGE THE HOLE POSITION WHEN YOU USE POWER TOOLS !

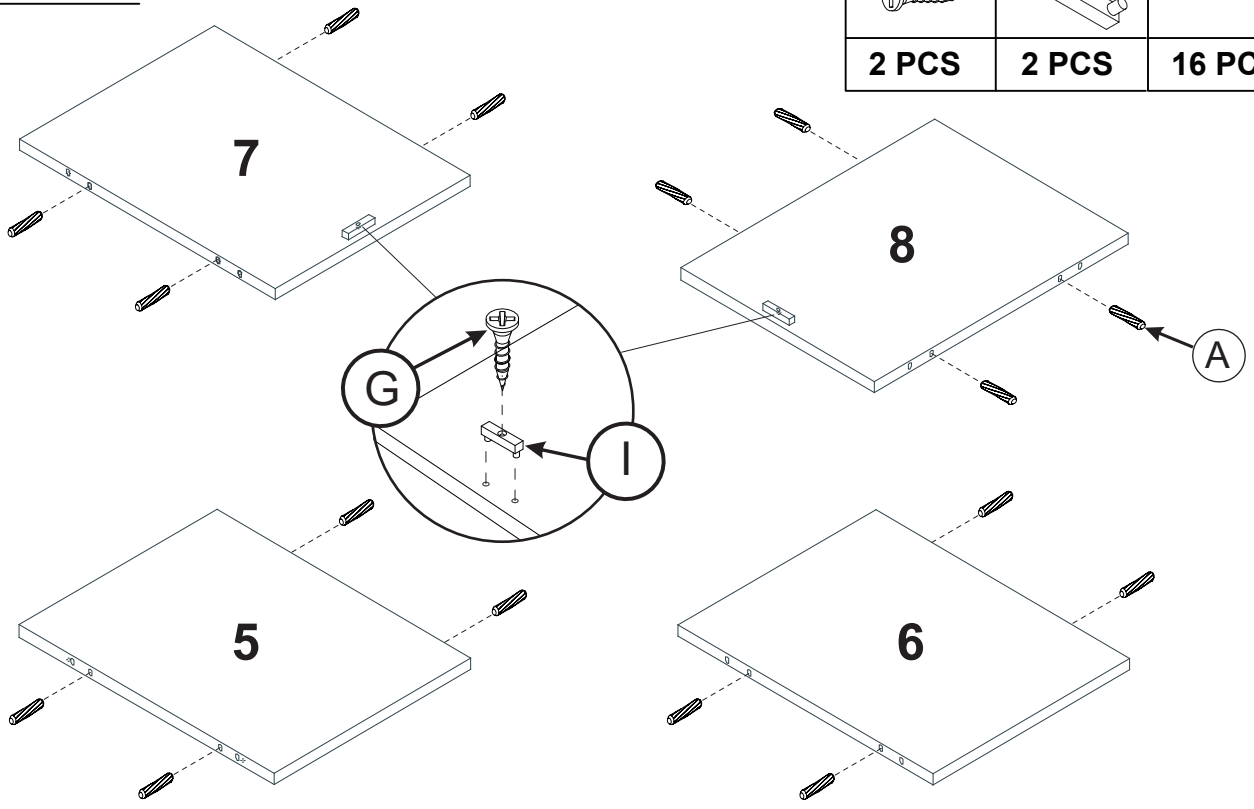
STEP 1 :

D	B
	
12 PCS	4 PCS

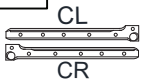
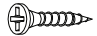


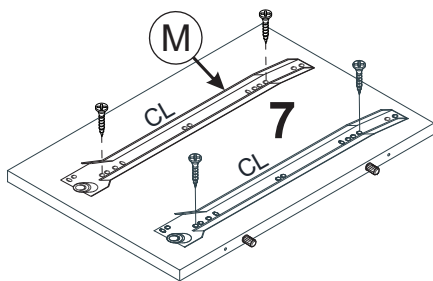
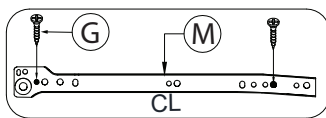
STEP 2 :

G	I	A
		
2 PCS	2 PCS	16 PCS

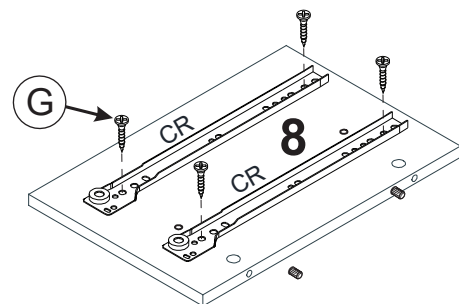
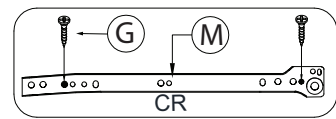


STEP 3 :

M	G
	
2 SETS	8 PCS




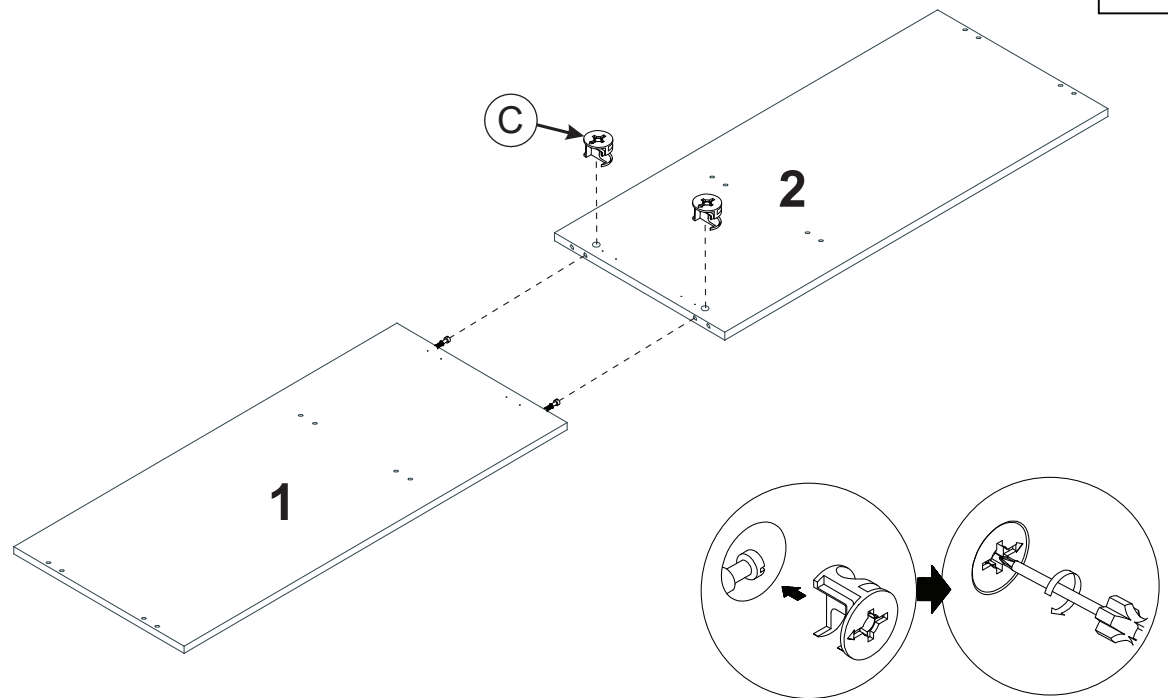
LEFT DRAWER




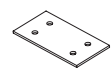
RIGHT DRAWER

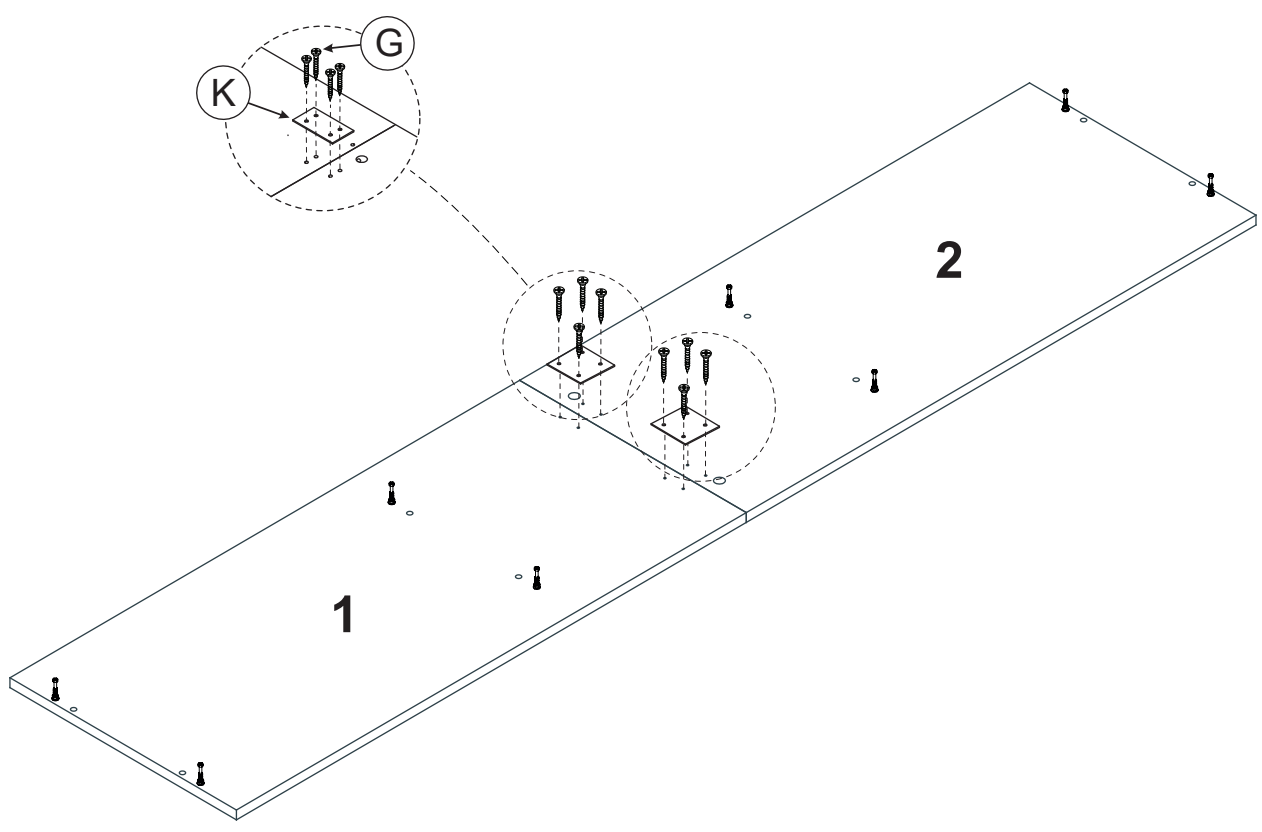
STEP 4 :

C

2 PCS



STEP 5 :

G	K
	
8 PCS	2 PCS

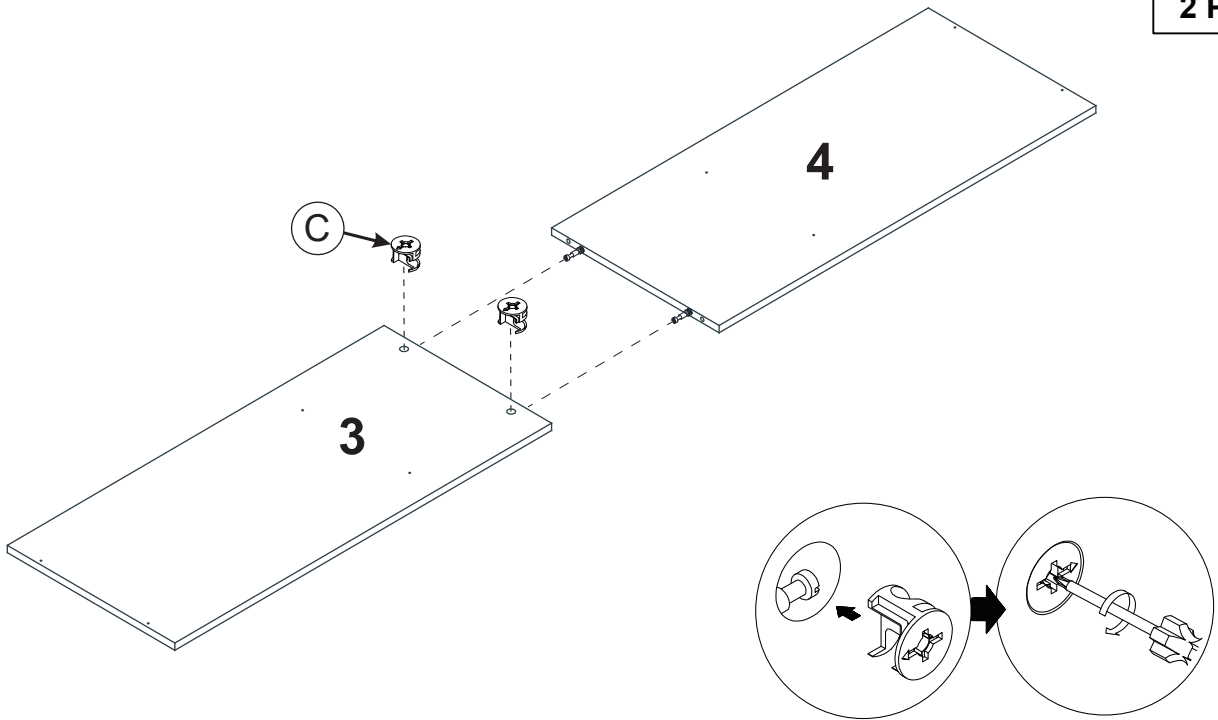


STEP 6 :

C



2 PCS



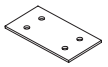
STEP 7 :

G

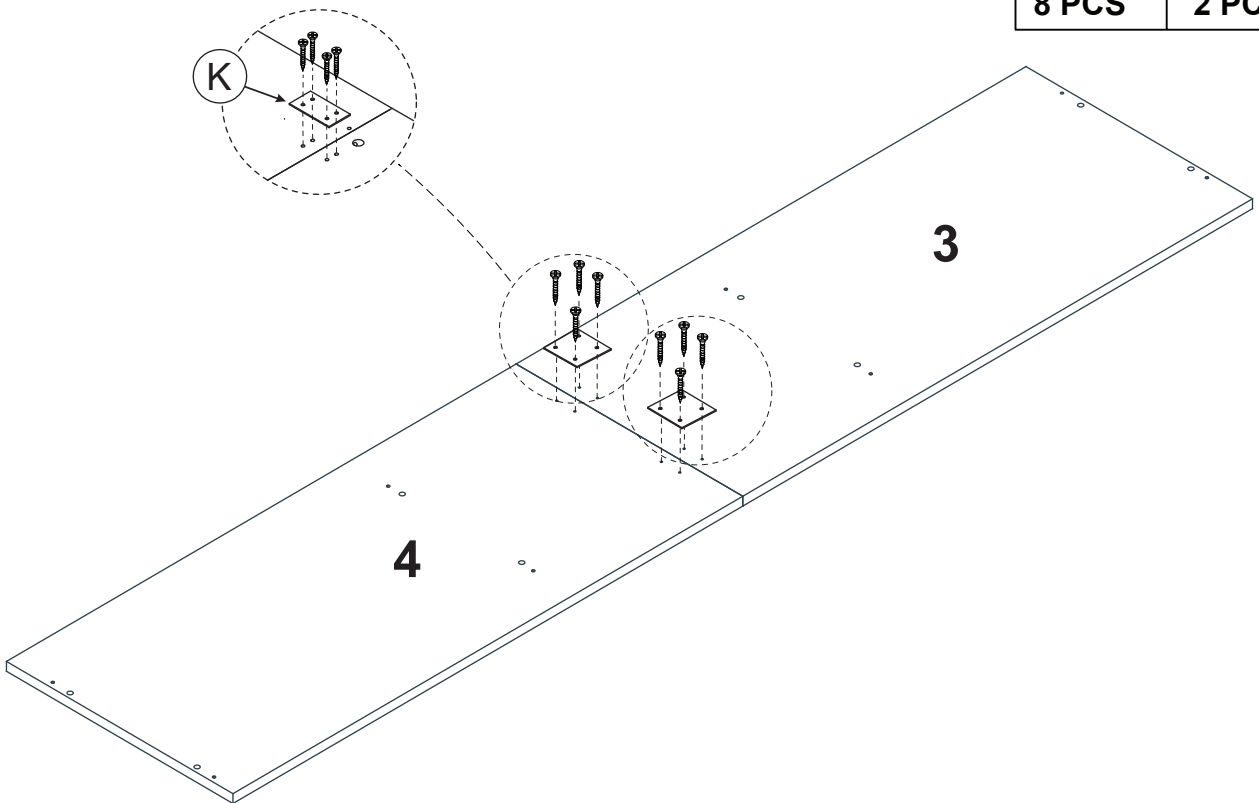


8 PCS

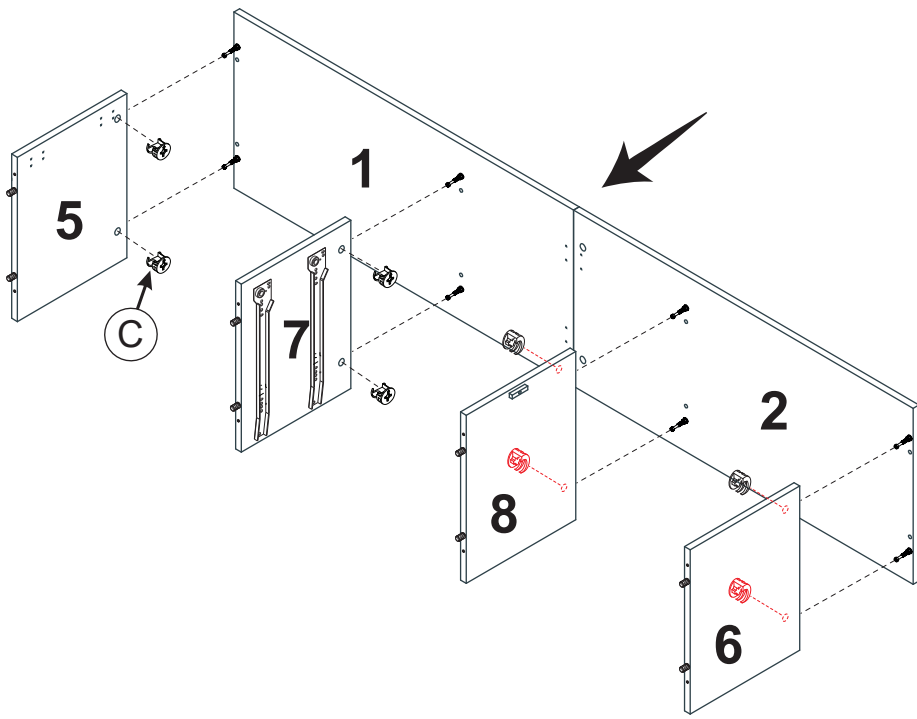
K




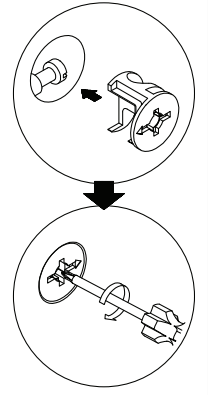
2 PCS



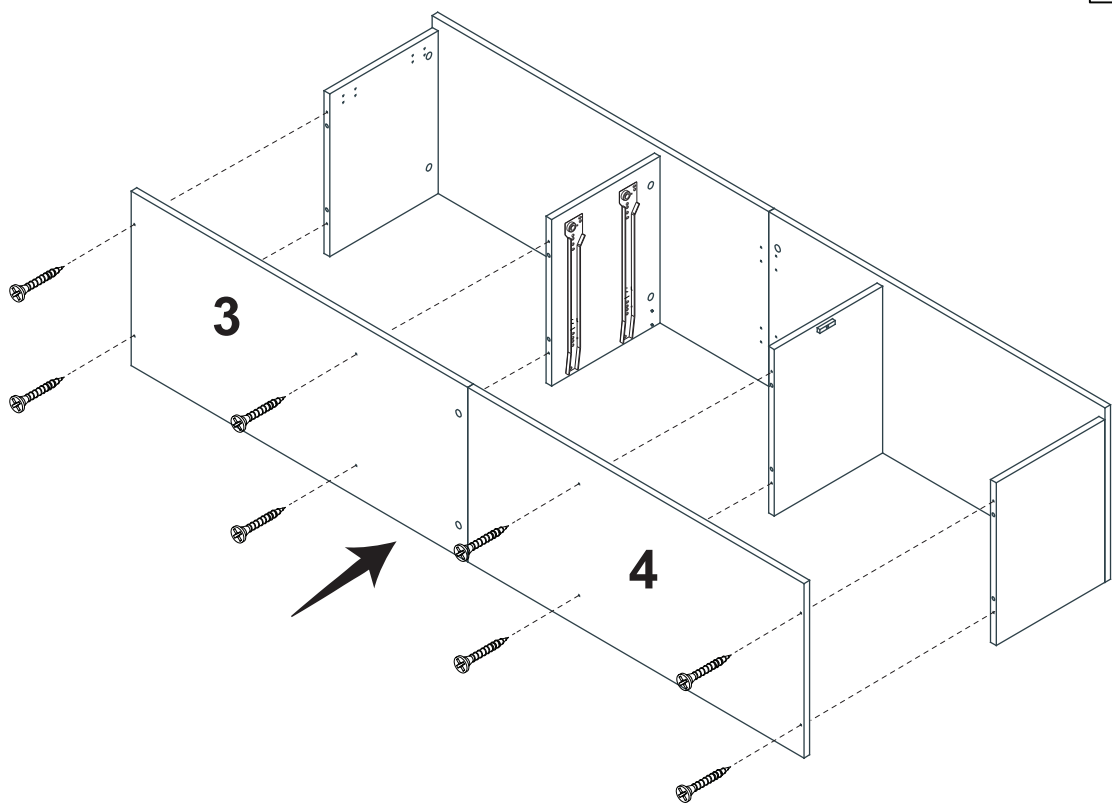
STEP 8 :

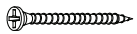


C

8 PCS

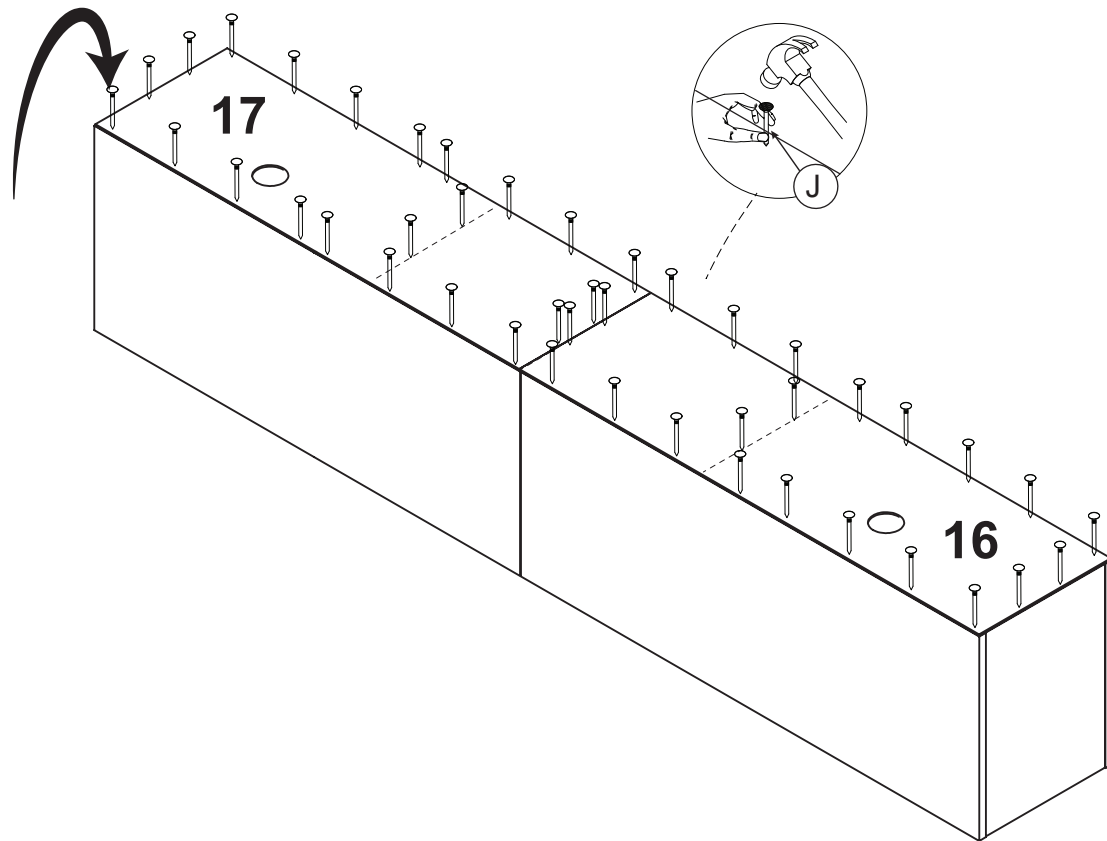


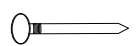
STEP 9 :



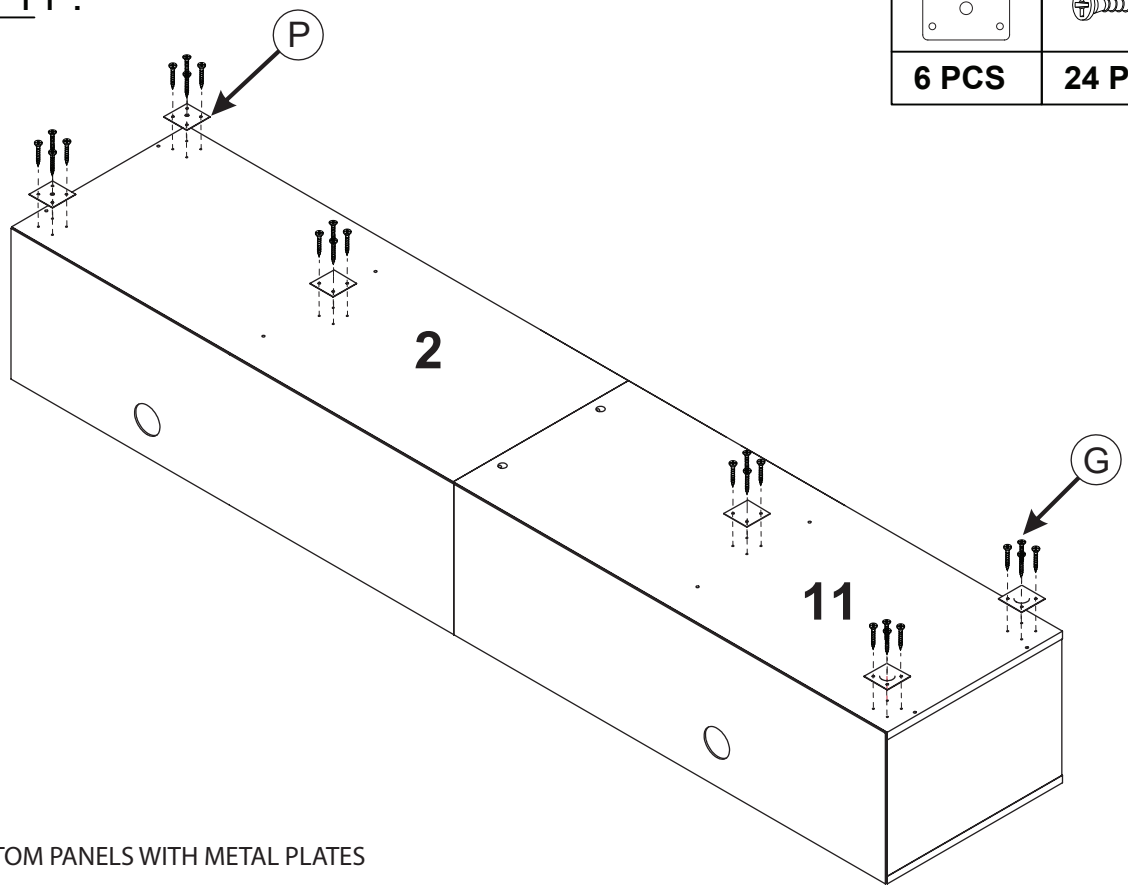
E

8 PCS

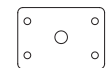

STEP 10 :



J

44 PCS

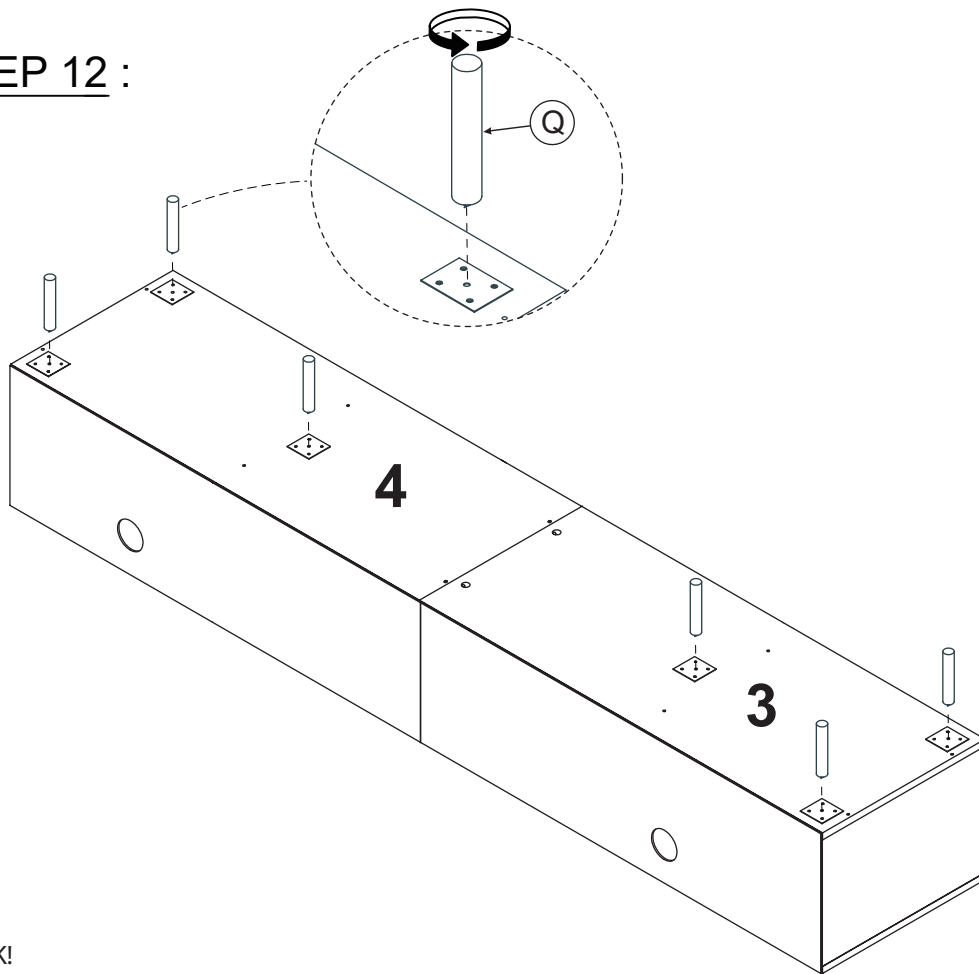
STEP 11 :




P	G
	
6 PCS	24 PCS

REMARK!
SECURE BOTTOM PANELS WITH METAL PLATES

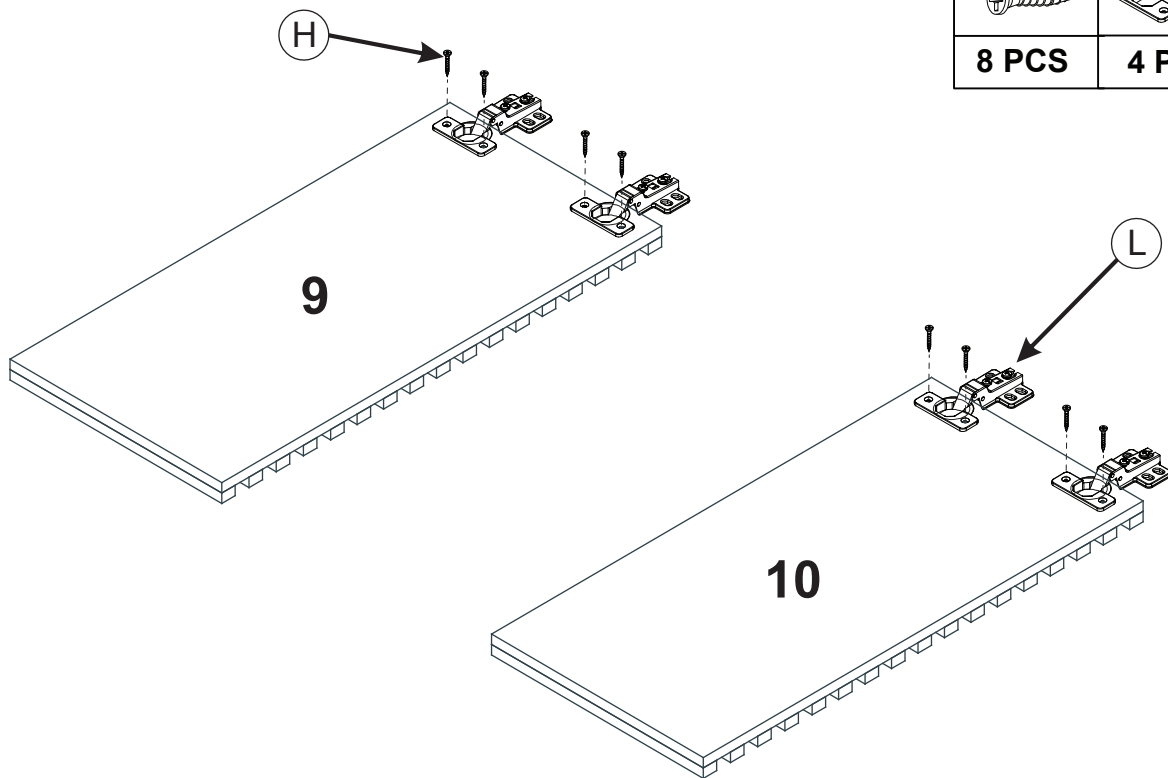
STEP 12 :


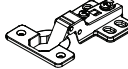


Q	
6 PCS	

REMARK!
SECURE BOTTOM PANELS WITH METAL PLATES

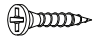
STEP 13 :



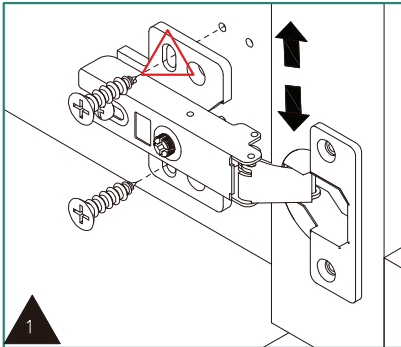
H	L
	
8 PCS	4 PCS

STEP 14 :

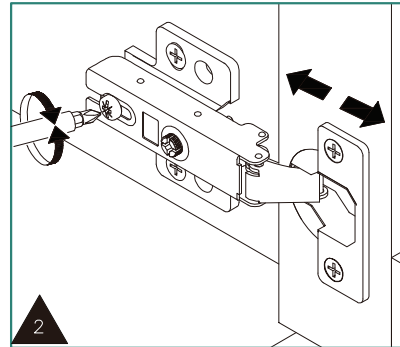
G



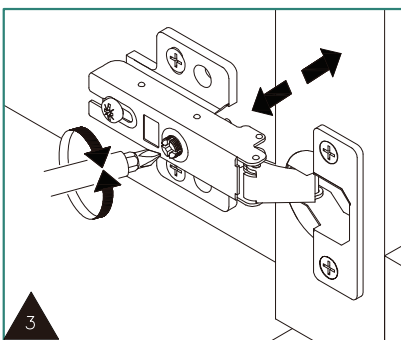
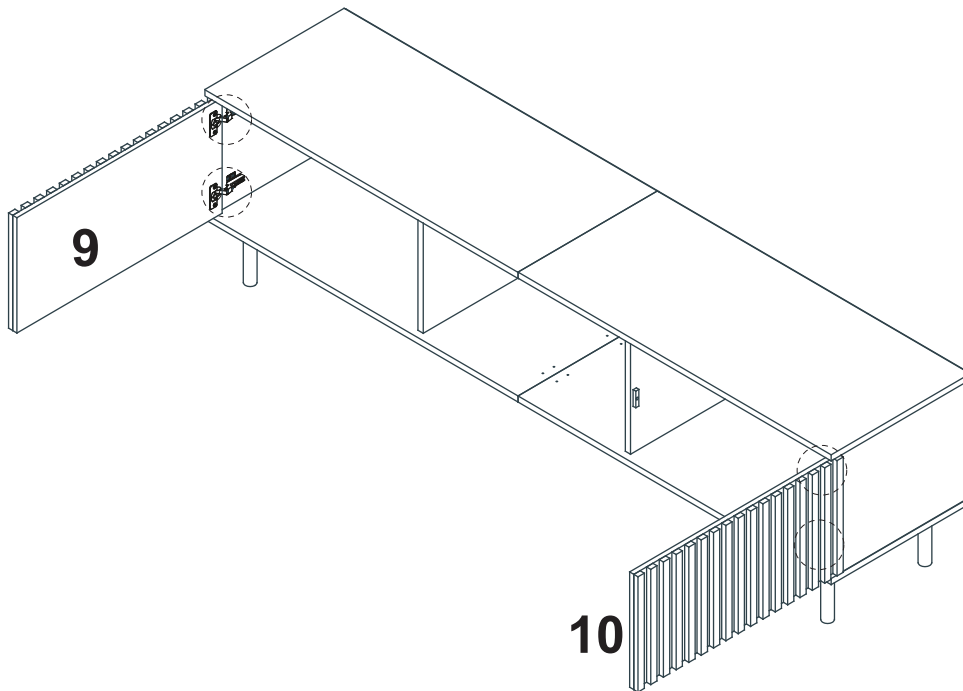
16 PCS



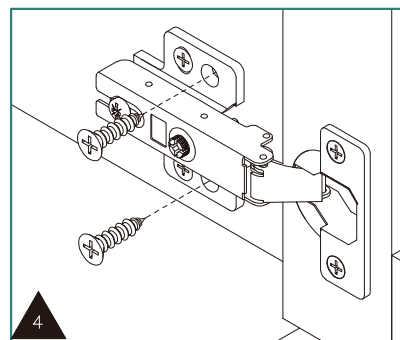
Use the "waist round hole" marked with a triangle to adjust the position of the door panel (ensure that the gap between the door panel and the upper and lower panels is consistent).



Use the screw at the back end of the hinge to adjust the front and back position of the door panel (ensure that the front of the door panel is in the same plane as the upper and lower panels).


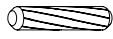


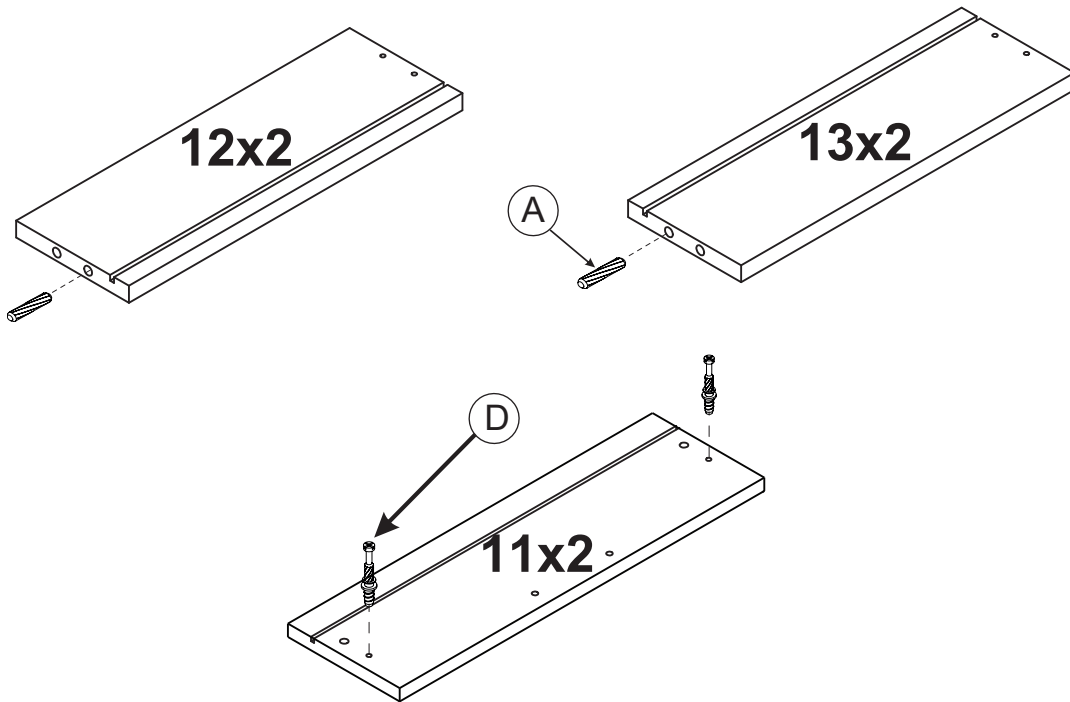
Use the screw at the front end of the hinge to adjust the left and right position of the door panel (ensure that the left and right sides of the door panel are in the same plane as the upper and lower panels).



After completing these three steps, secure the other two screws on the hinge.


STEP 15 :

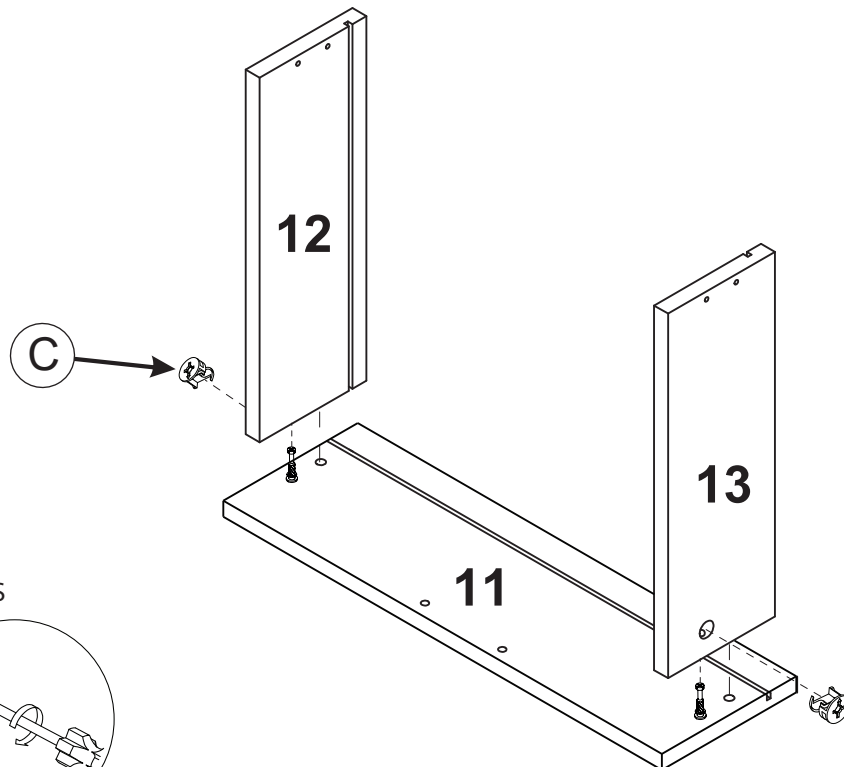
D	A
	
4 PCS	4 PCS



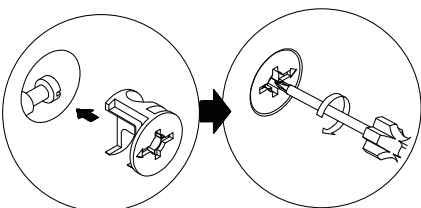
STEP 16 :

x2

C

4 PCS

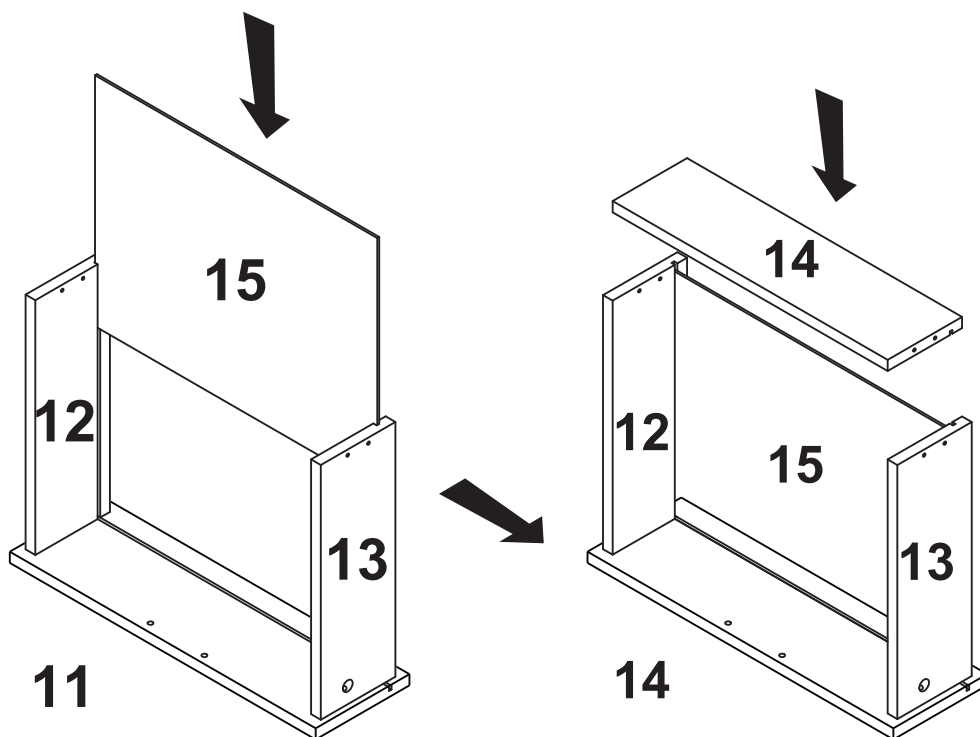


REMARK!
TIGHTEN BOTH SIDES



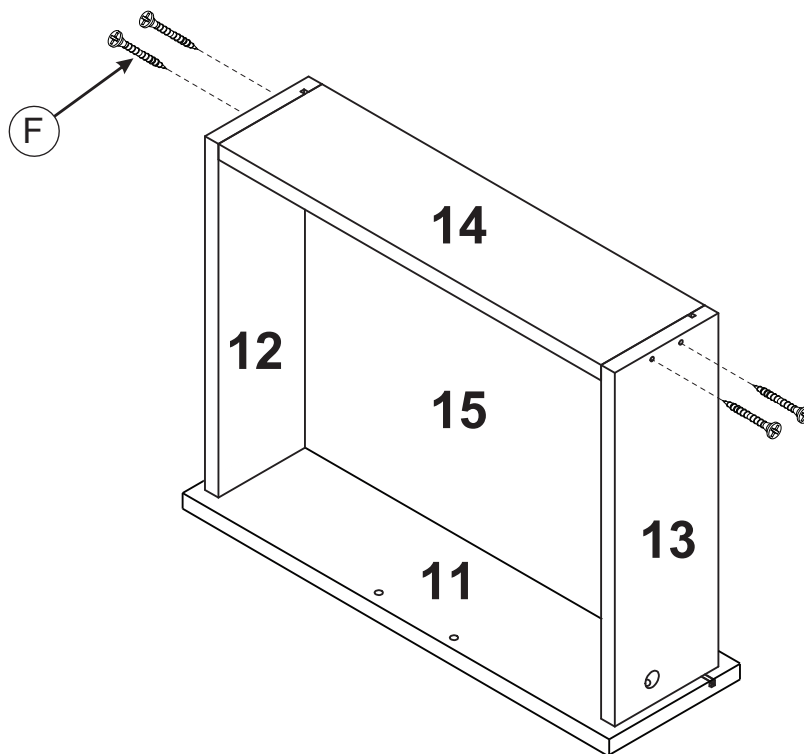
STEP 17 :

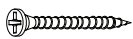
x2



STEP 18 :

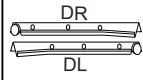

x2

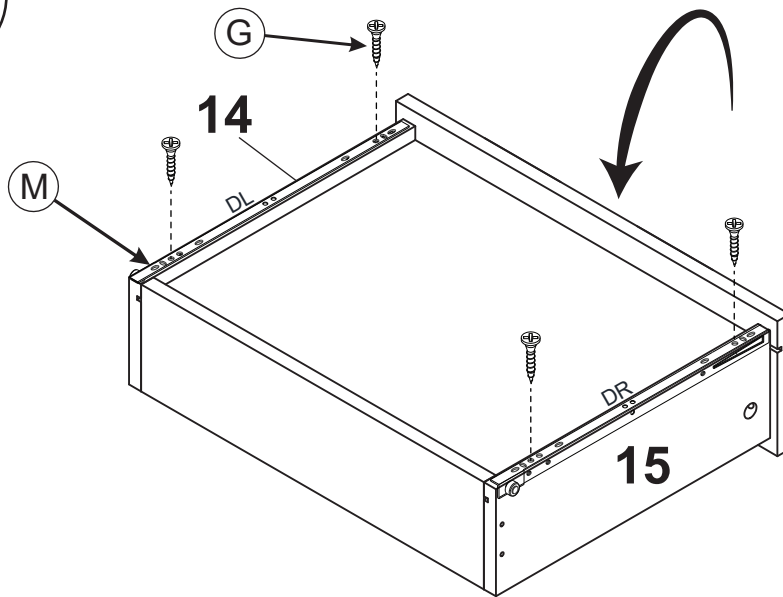


F

8 PCS



STEP 19 :

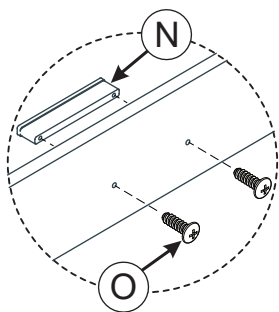
x2

M	G
	
2 SETS	8 PCS

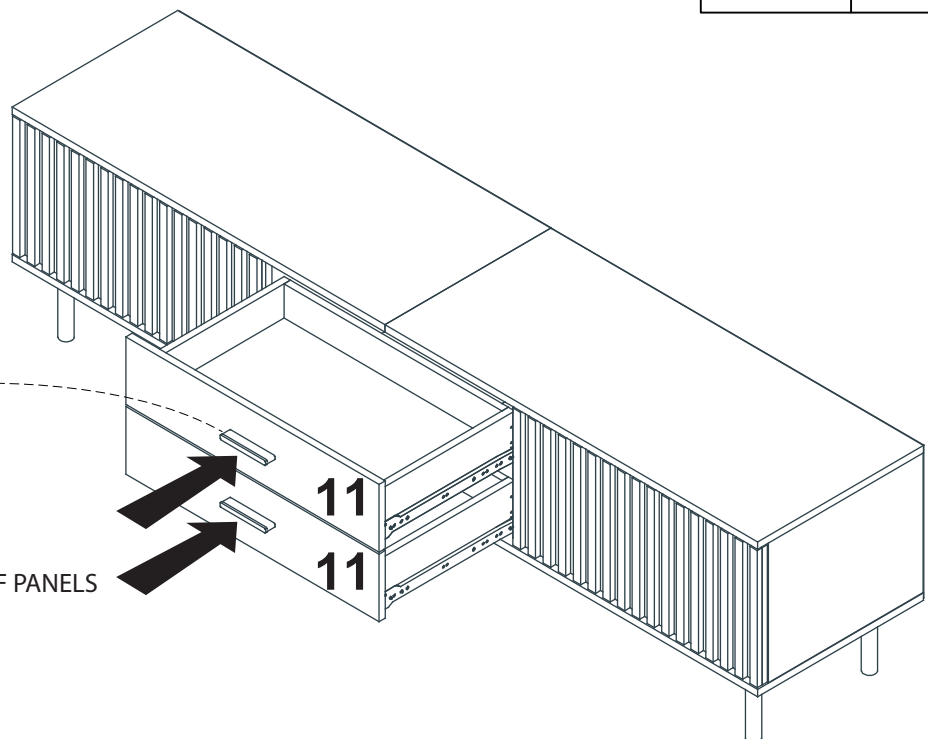


STEP 20 :

N	O
	
2 PCS	4 PCS



REMARK!
PLACE ON THE CENTRE OF PANELS



STEP 21 :

