

USER'S MANUAL

L-Shaped Electric Standing Desk

THIS INSTRUCTION BOOKLET CONTAINS **IMPORTANT** SAFETY INFORMATION. PLEASE READ AND KEEP FOR FUTURE REFERENCE.

Please give us a chance to make it right and do better!

Contact our friendly customer service department for help first.

Replacements for missing or damaged parts will be shipped ASAP!

Contact Us!

Do NOT return this item.

Contact our friendly customer service department for help first.



Before You Start

- ⚠ Please read all instructions carefully.
- ⚠ Retain instructions for future reference.
- ⚠ Separate and count all parts and hardware.
- ⚠ Read through each step carefully and follow the proper order.
- ⚠ We recommend that, where possible, all items are assembled near to the area in which they will be placed in use, to avoid moving the product unnecessarily once assembled.
- ⚠ Always place the product on a flat, steady and stable surface.
- ⚠ Keep all small parts and packaging materials for this product away from babies and children as they potentially pose a serious choking hazard.

IMPORTANT SAFEGUARDS

Read these instructions carefully and retain them for future use.

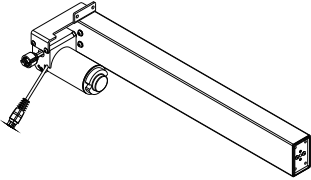
When using the product, basic safety precautions should always be followed to reduce the risk of injury including the following:

- Unpack all hardware bags and components to ensure you have all the parts.
- Use the tools included to assemble the desk, don't use the incorrect tools to assemble.
- Do not climb, stand or sit on the desk.
- Do not place objects on the desk when moving.
- Check to ensure all bolts, screws and brackets are tightened on a regular basis.
- Do not place the table in a humid environment.
- Do not place heavy objects on the table when storing.

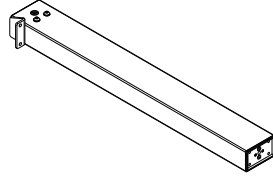
There is potential risk of personal injury not to follow the instructions when in use.

Parts List

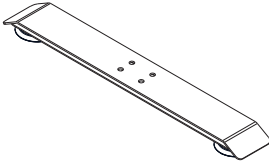
(A) Lift column*1



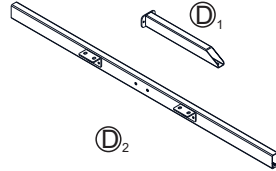
(B) Lift column*1



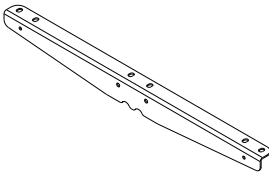
(C) Base*2



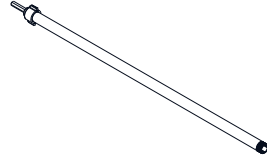
(D) Frame*2



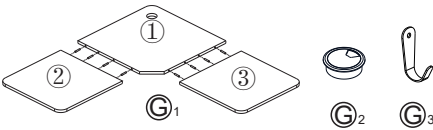
(E) Side bracket*2



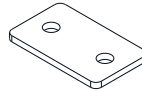
(F) Motor Rod*1



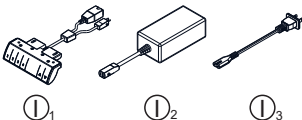
(G) Desk top*3+Wooden pin*8
Power supply holder*1
Pothook*2



(H) Desktop connection block*2

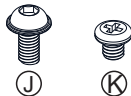


(I) Handset + Power supply
Power cord



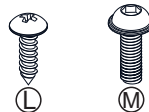
(J) M6 screws*37

(L) Self-tapping
screws*4

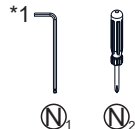


(K) M4 screws*1

(M) M6 screws*2



(N) 5# wrench*1
cross screwdriver
*1



Assembly steps

Step 1:

1.1 Connect the board ①②③ pay attention to the direction of the board with wooden pins.

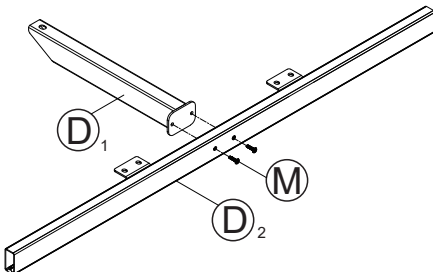
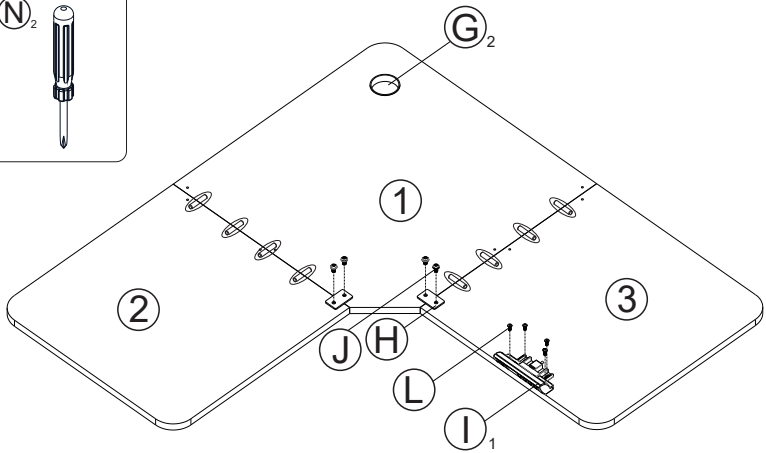
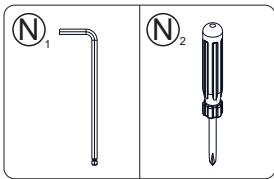
As shown in the figure.

1.2 Fasten ④ connecting blocks with ⑤ M6 screws as shown in the figure, using the provided ⑥ spanner.

1.3 The hand controller is fastened to the table with ⑦ self-tapping screws, using the provided ⑧ screwdriver.

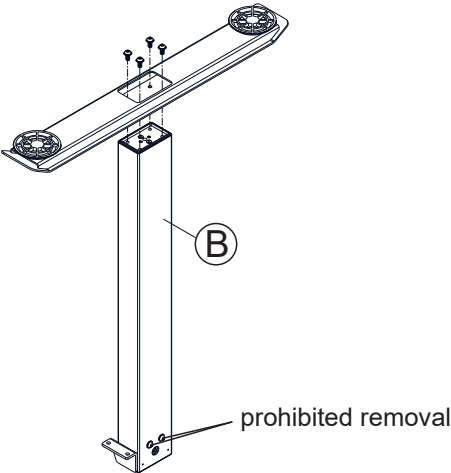
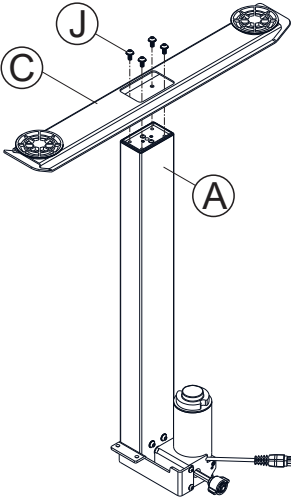
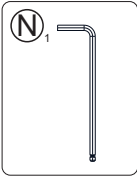
1.4 After installing the ⑨ power supply holder, set aside.

1.5 Fasten ⑩₁ and ⑩₂ with ⑪ M6 screws as shown in the figure, using the provided ⑫ spanner.



Step 2:

Fixing (A) lift column and (B) lift column to (C) table base with (J) M6 screws, using the provided (N) spanner.

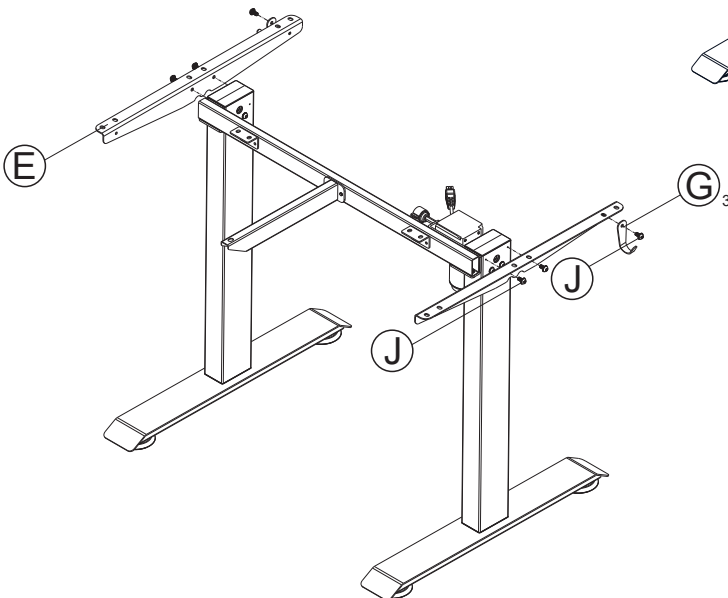
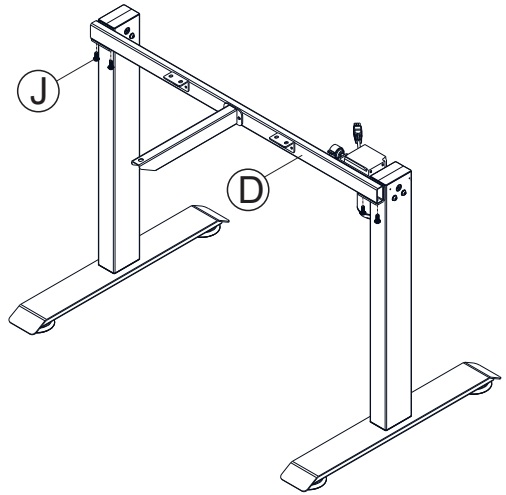
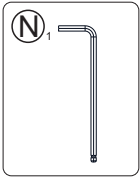


Step 3:

3.1 Assembling frame tightened with ① M6 screws, using the provided ② spanner.

3.2 Then install the two side brackets with ① M6 screws, using the provided ② spanner.

3.3 Use ① M6 screws to fix the hook to the side bracket, using the provided ② spanner.



Step 4:

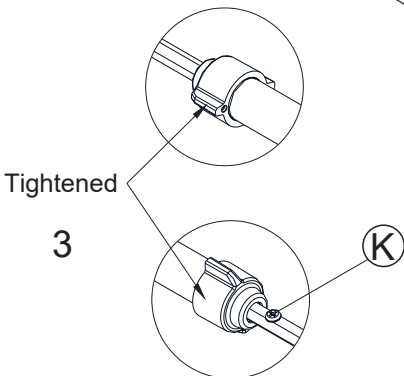
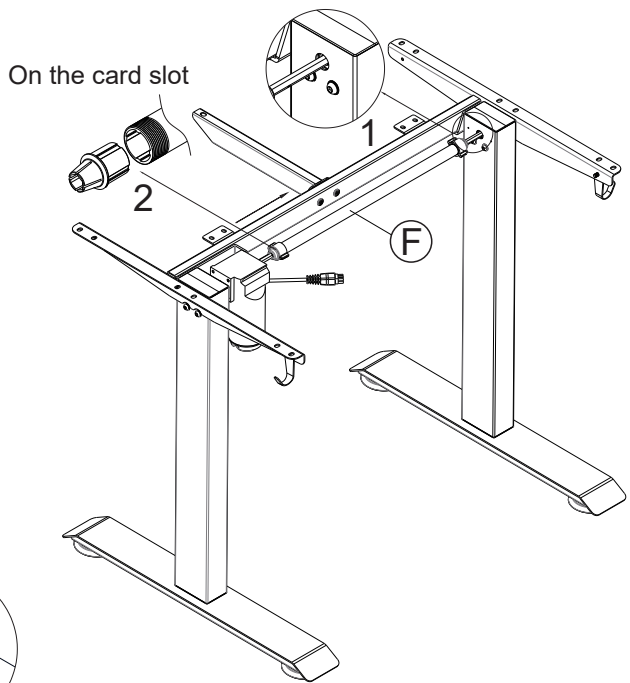
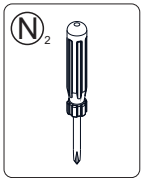
4.1 As shown in Figure 1, insert the hexagonal bar into the lift column B until the buckle is not visible.

4.2 Attach the other end of the connecting rod to the lift column A and screw on the handle. The handle does not need to be tightened.

Note: As shown in Figure 2 below, it needs to be aligned with the card slot.

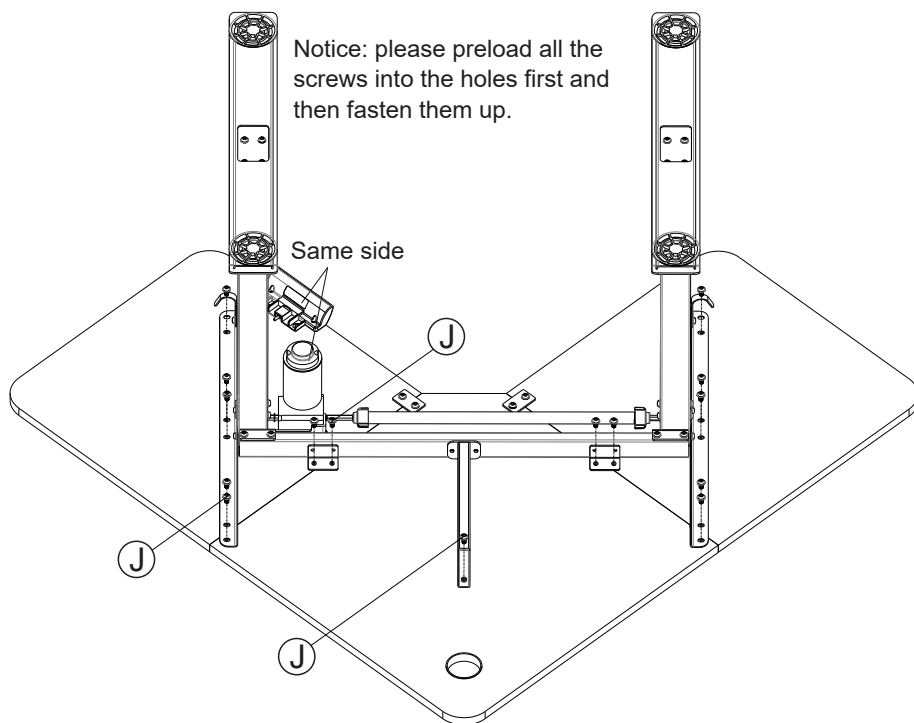
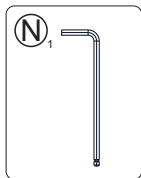
4.3 Pull the connecting rod with the handle to the bottom end of the lift column A in the direction of the arrow as shown in the figure.

4.4 Tighten the handle and install the (K) M4 screws, using the provided (N₂) screwdriver.



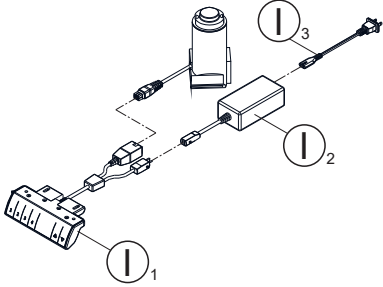
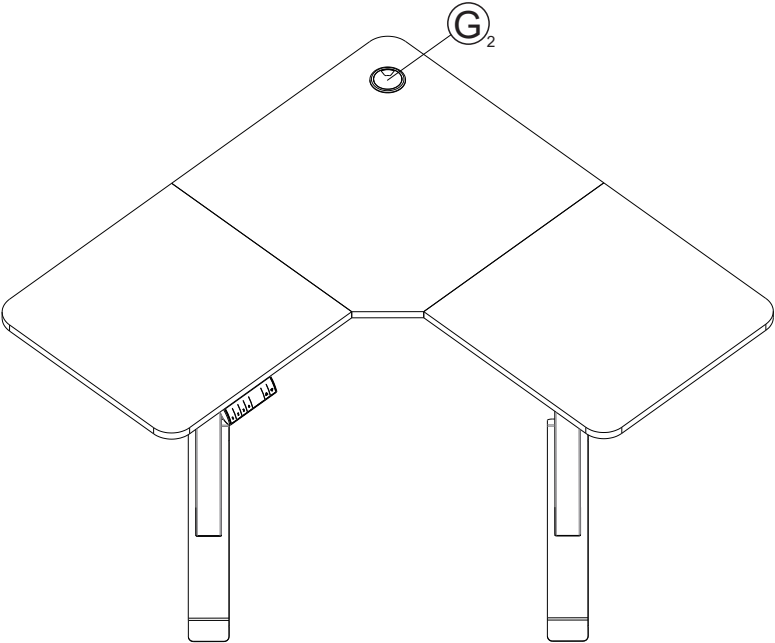
Step 5:

After connecting three desktops with pins and put on the frame and tightened with ⓐ M6 screws, put on the hand handset, using the provided Ⓝ₁ spanner.

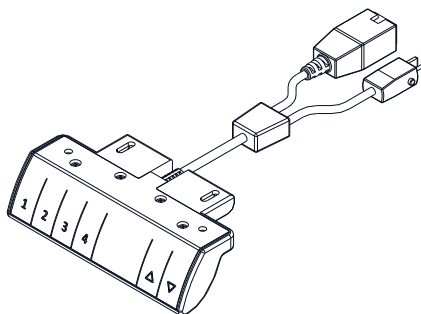


Step 6:

Install the wire box, arrange the wire, and complete the installation. Connect the ①₃ power cord, the motor, the ①₂ power supply and ①₁ the handset as shown.



Operational instructions



1. Adjust the height

Press the ▲ button or ▼ button to control the lift column up or down. Press and hold the ▲ button to move the table up, you can see the height number on the screen; press the button ▼ to move the table down, you can see the height number on the screen.

2. Set memory height

Press and hold (1, 2, 3, 4) button for 2 seconds, the current height will be saved.

Meanwhile, the screen flashes for 2 seconds, and current height will be displayed.

3. Recall memory height

Press the number button (1, 2, 3, 4) to adjust table to the corresponding pre-saved height.

4. Stroke reset

When system shows 'E10, E20' or table goes down to the lowest position, press and hold ▼ button for 3 seconds, when (E5) pops up, release the button, the table starts to go down to the lowest position then goes back up to reach a certain height, stroke reset complete and the lowest height will be displayed.

5. Protection and error code

5.1 Resistance protection: 'E02', if any shaking, hitting or slope happens during moving, table will stop immediately. Move table back for certain distance or back to reversed motion set can fix the error. Be sure there's no shaking, hitting or sloping risk, then restart operating.

5.2 Overheating protection: 'HOT', long time operating the table may trigger this protection, re-plug the power then wait for at least 18 minutes before use.

5.3 Motor abnormal protection: 'E10', power off first, check and make sure the motor and controller are well connected, then re-plug.

5.4 Overload protection: 'E20', if this error occurs when table is going UP, remove heavy objects on top; if this error occurs when table is going DOWN, power off first, remove heavy objects then re-plug.

5.5 Under-voltage protection: 'E31', power off first, check and make sure the motor and controller are well connected, then re-plug.

5.6 Over-voltage protection: 'E32', power off first, check and make sure the motor and controller are well connected, then re-plug.