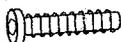


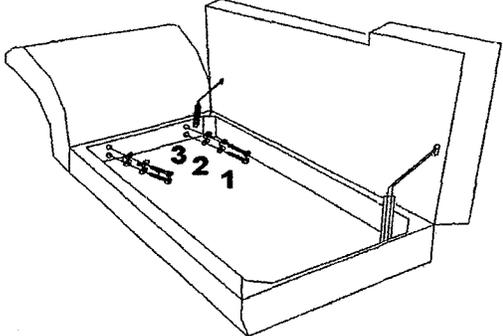
ASSEMBLY INSTRUCTION OF STORAGE CHAISE

Part List				
No.	Description	parts	q' ty	Box No.
A	Seat frame		1	Box A
B	Arm		1	Box A
C	Back		1	Box B
D	Wood Leg		4	Box B

Hardware List			
No.	Description	parts	q' ty
1	Bolt dia8x2.5"		4
2	Spring washer		9
3	Washer		9
4	description dia3x40mm		8
5	Bolt dia8x1.75"		5
6	Allen key		1

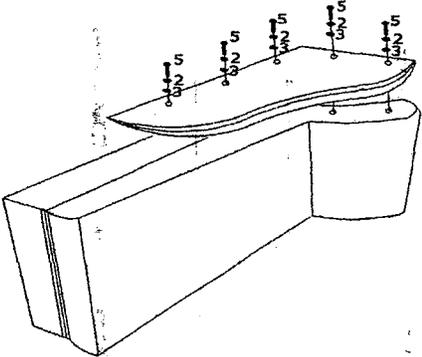
hardw
are
is in
box B

Step 1

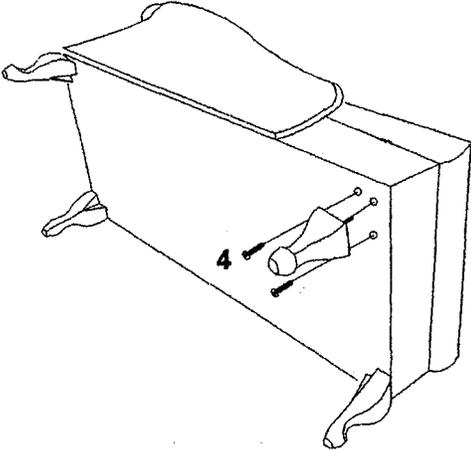


Assemble back (C) to Seat frame (A) by using bolt (1), spring washer (2) and washer (3) as shown.

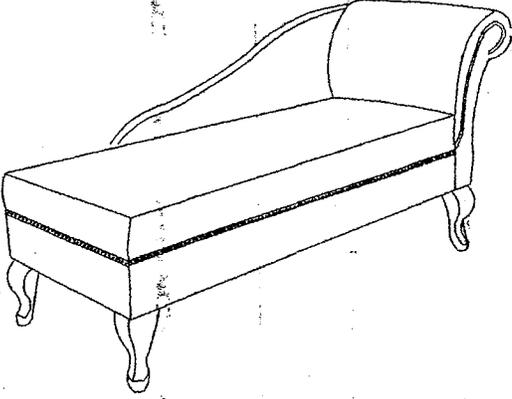
Step 2



Assemble arm (B) to step 1 assembled unit by using bolt (5), spring washer (2) and washer (3) as shown.



Assemble wooden leg (D) to bottom of seat frame (A) by using screw (4) as shown.



Made In China