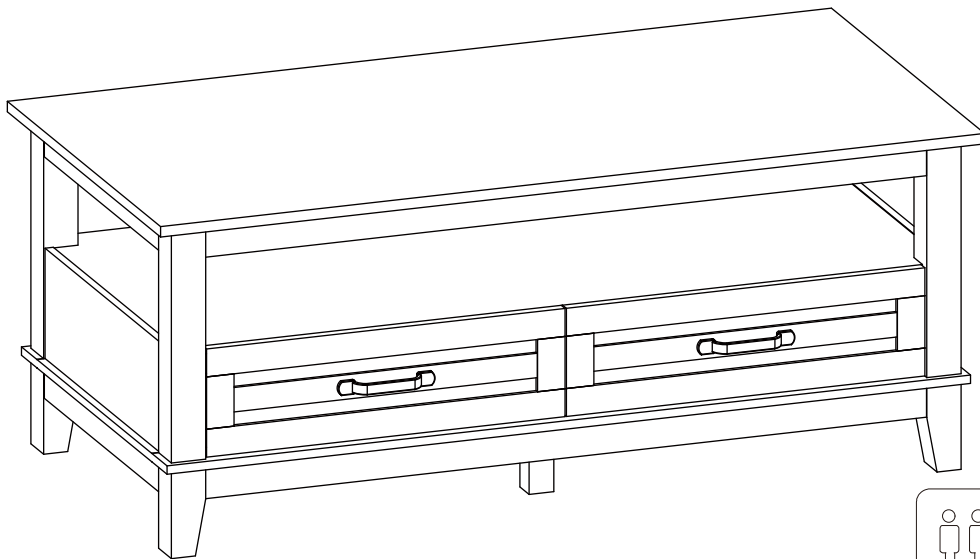


# Assembly Instruction



## Trouble shooting:

Missing / Wrong / Broken parts and installation issues



Send email with your question pic ,order NO. and screenshot of order details



Respond within 24 hours



Issue resolved

**THIS INSTRUCTION BOOKLET CONTAINS IMPORTANT SAFETY INFORMATION.  
PLEASE READ AND KEEP FOR FUTURE REFERENCE.**

Thank you for purchase on our products. Please contact us if you have difficulty with assembly or need replacement parts. Our customer service is here to assist you. Please attach your User Name or Order ID so that we can assist you better.

**WARNING**

Serious or fatal injury may occur from unexpected assembly or use.

1. During the assembly process, keep all parts away from babies or children.
2. Always securely fix this product to the wall. Make sure the wall area to be drilled is free from hidden electrical wires, water and gas pipes.
3. Use of tip-over restraints may only reduce, but not eliminate the risk of tip-over.
4. Unless specially designed to accommodate, do not set heavy objects on top of this product.
5. Place the heaviest items on the lowest drawers or shelves.
6. Never allow children to climb or bang on drawers, doors or shelves.

## WARNING

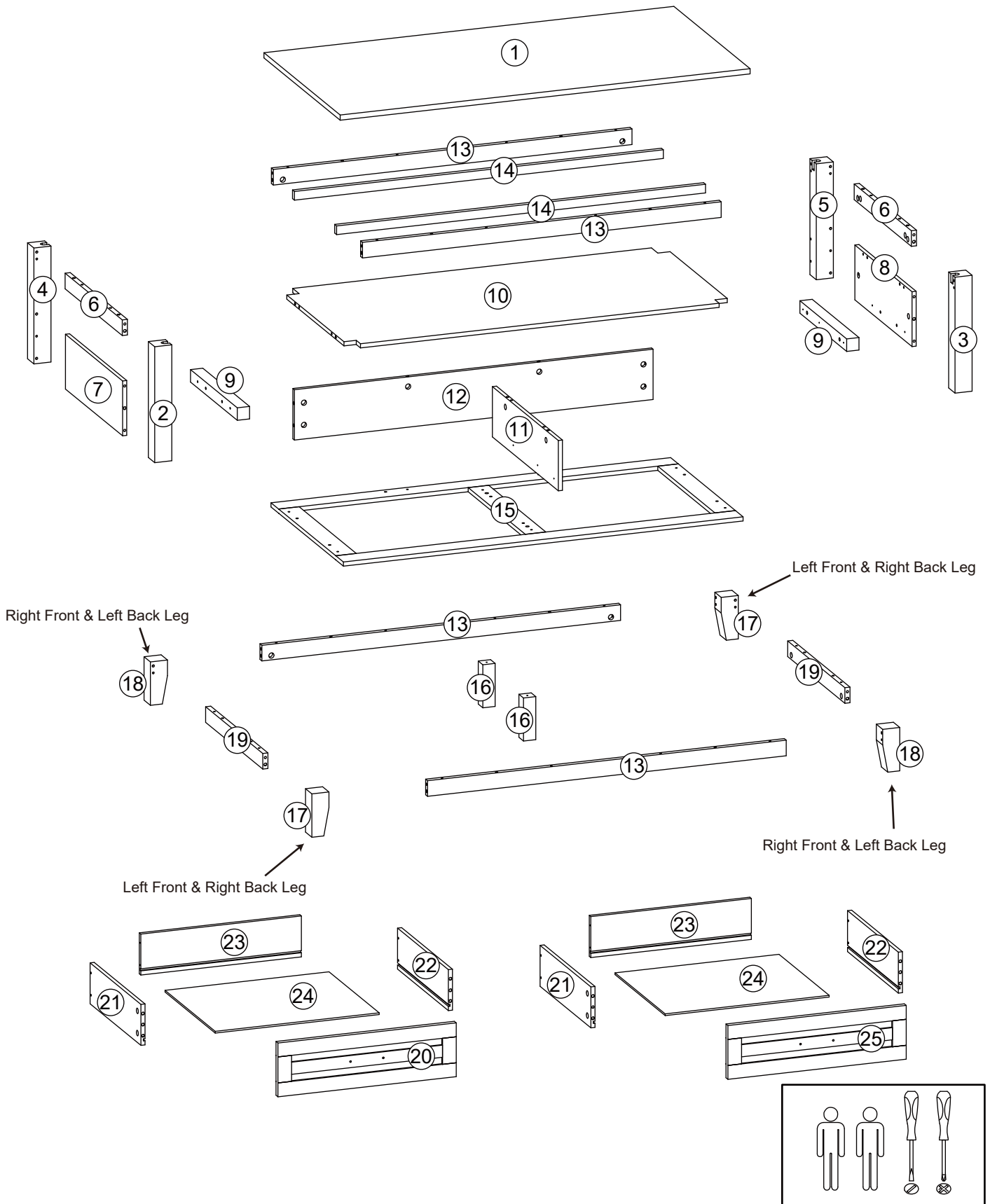


Children have died from furniture tipover.  
To reduce the risk of furniture tipover:

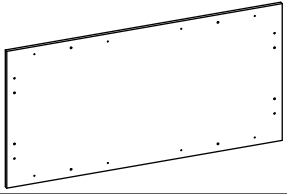
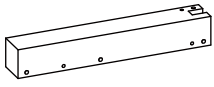
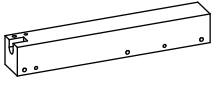
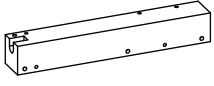
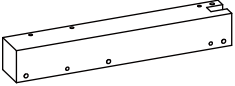
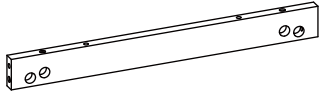
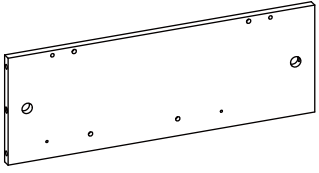
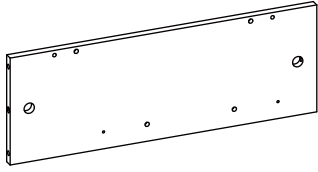
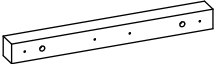
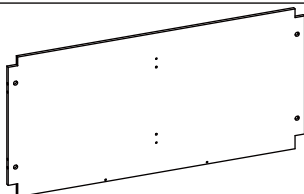
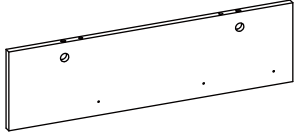



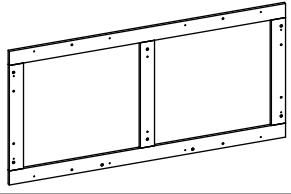

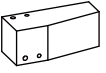
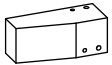
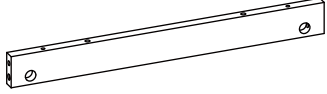
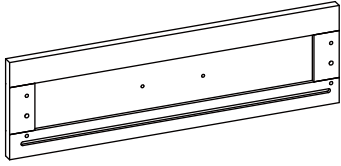
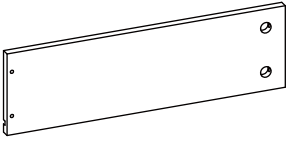
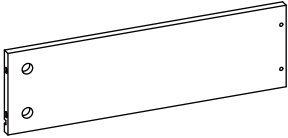
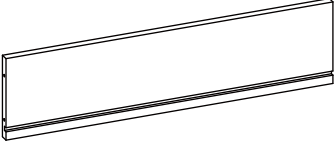
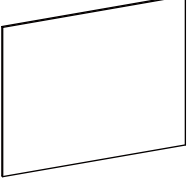
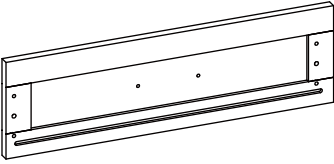


- ALWAYS install tipover restraint provided.
- NEVER put a TV on this product.
- NEVER allow children to stand, climb or hang on drawers, doors, or shelves.
- NEVER open more than one drawer at a time.
- Place heaviest items in the lowest drawers.



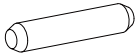
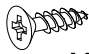

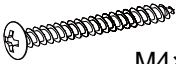



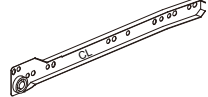
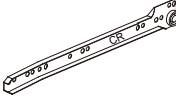
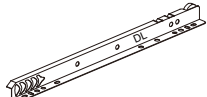
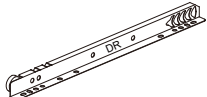
# Part List



# Part List

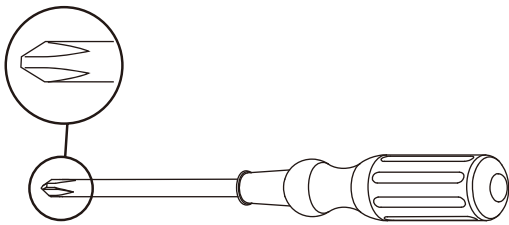
① ×1	② ×1	③ ×1	④ ×1
			
⑤ ×1	⑥ ×2	⑦ ×1	⑧ ×1
			
⑨ ×2	⑩ ×1	⑪ ×1	⑫ ×1
			
⑬ ×4	⑭ ×2	⑮ ×1	⑯ ×2
			
⑰ ×2	⑱ ×2	⑲ ×2	⑳ ×1
			
㉑ ×2	㉒ ×2	㉓ ×2	㉔ ×2
			
㉕ ×1			
			

# Hardware List

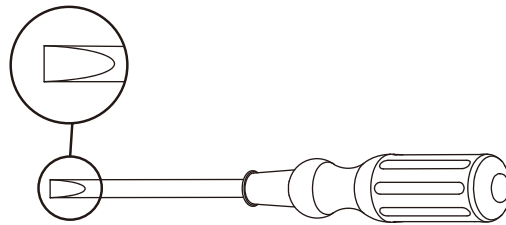
<b>A</b> ×44+4	<b>B</b> ×44+4	<b>C</b> ×62+6	<b>D</b> ×24+2	<b>E</b> ×22+2
		 6×30	 M3.5×12	 M4×35
<b>F</b> ×20+2	<b>G</b> ×4	<b>H</b> ×2	<b>I</b> ×6	<b>CL</b> ×2
 M4×50	 M4×12			
<b>CR</b> ×2	<b>DL</b> ×2	<b>DR</b> ×2		
				

## Tools required

Phillips Screwdriver

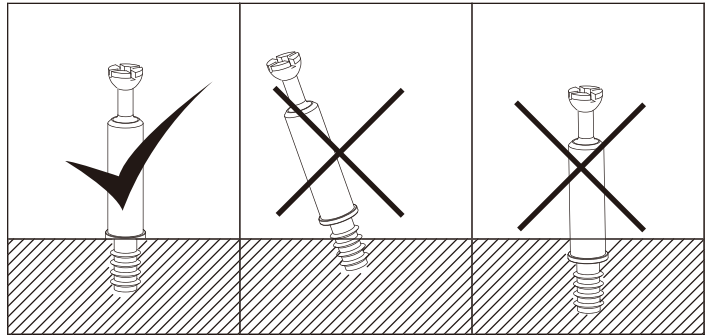
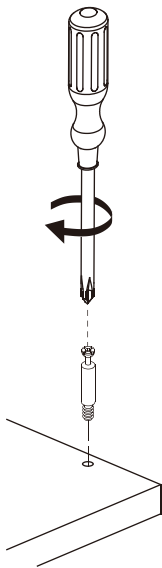


Straight Screwdriver



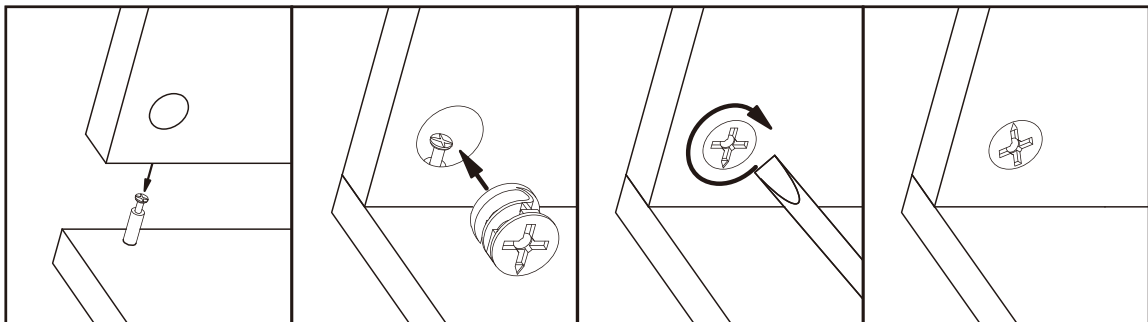
Power Tool NOT Recommended

To ensure proper assembly we have included the following guides:



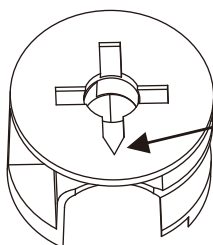
Insert threads of Locking Bolts completely, and stop once threads are no longer visible.

Do NOT overturn.



Reference this guide when assembling all Cam Locks.

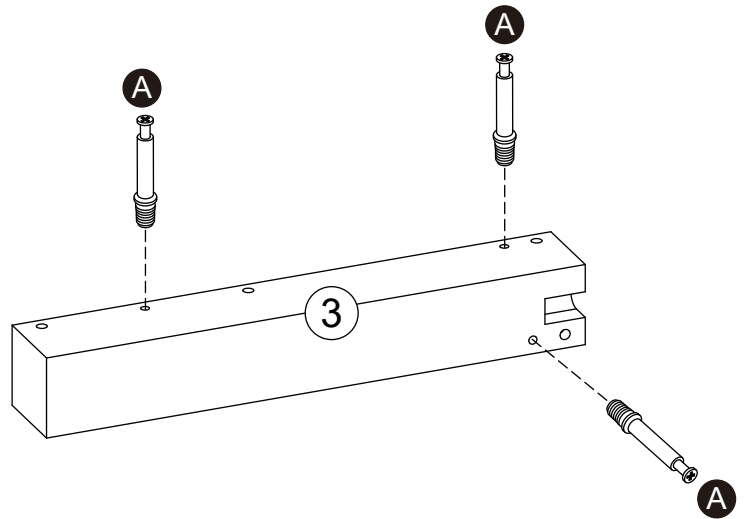
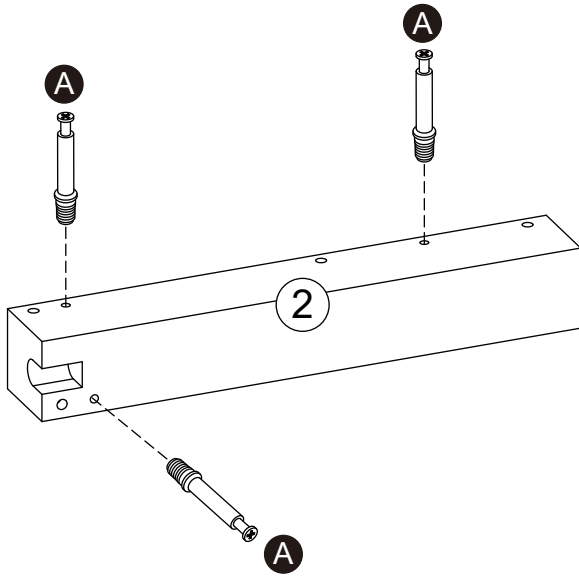
Do NOT overturn.



Notice: "pointer arrow" on cam face the Bolt when inserted the cam.

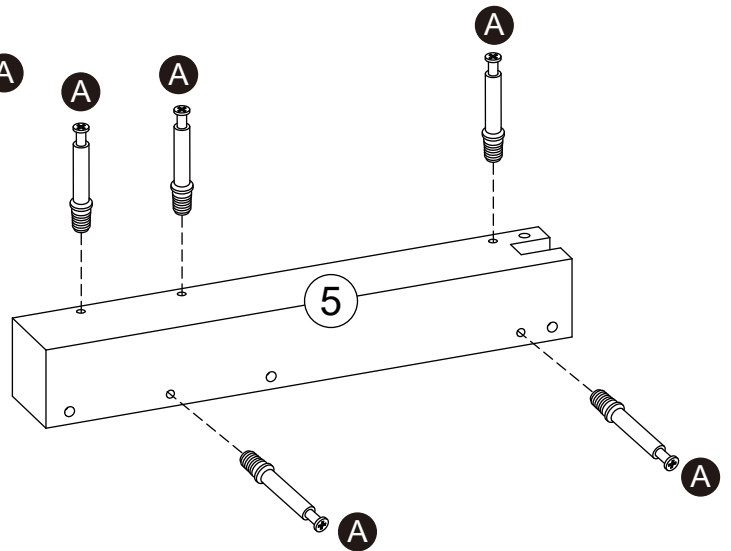
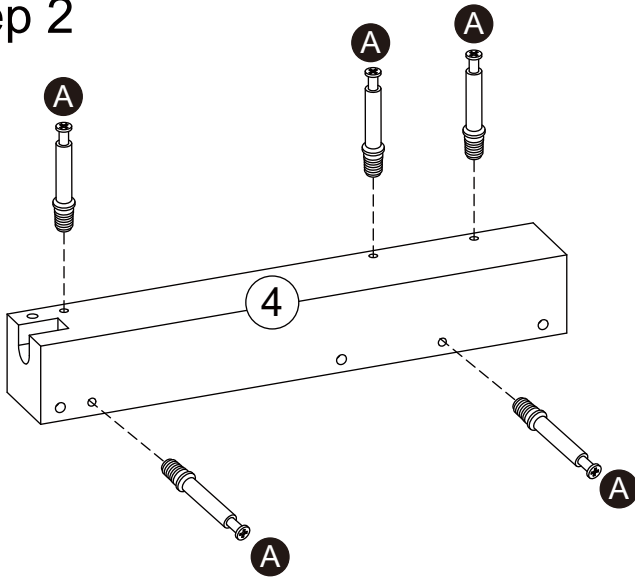
# Step 1

A x6

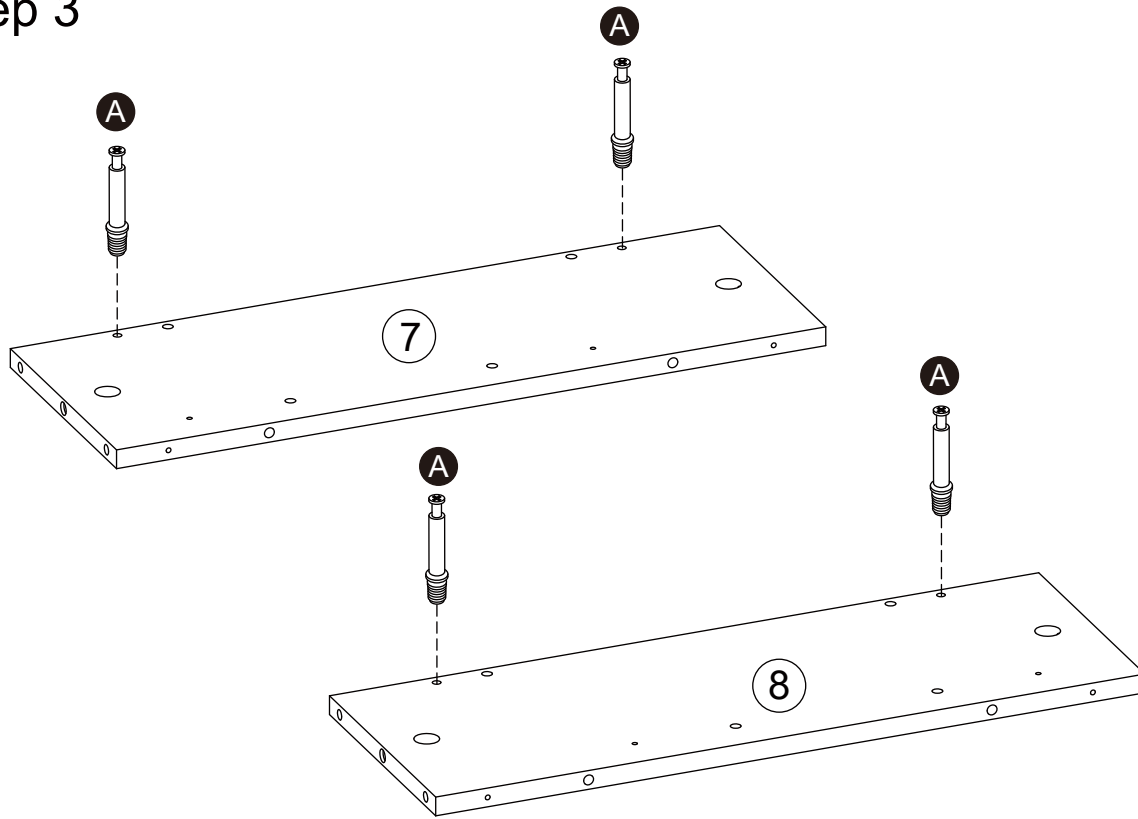


A x10

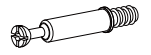
# Step 2



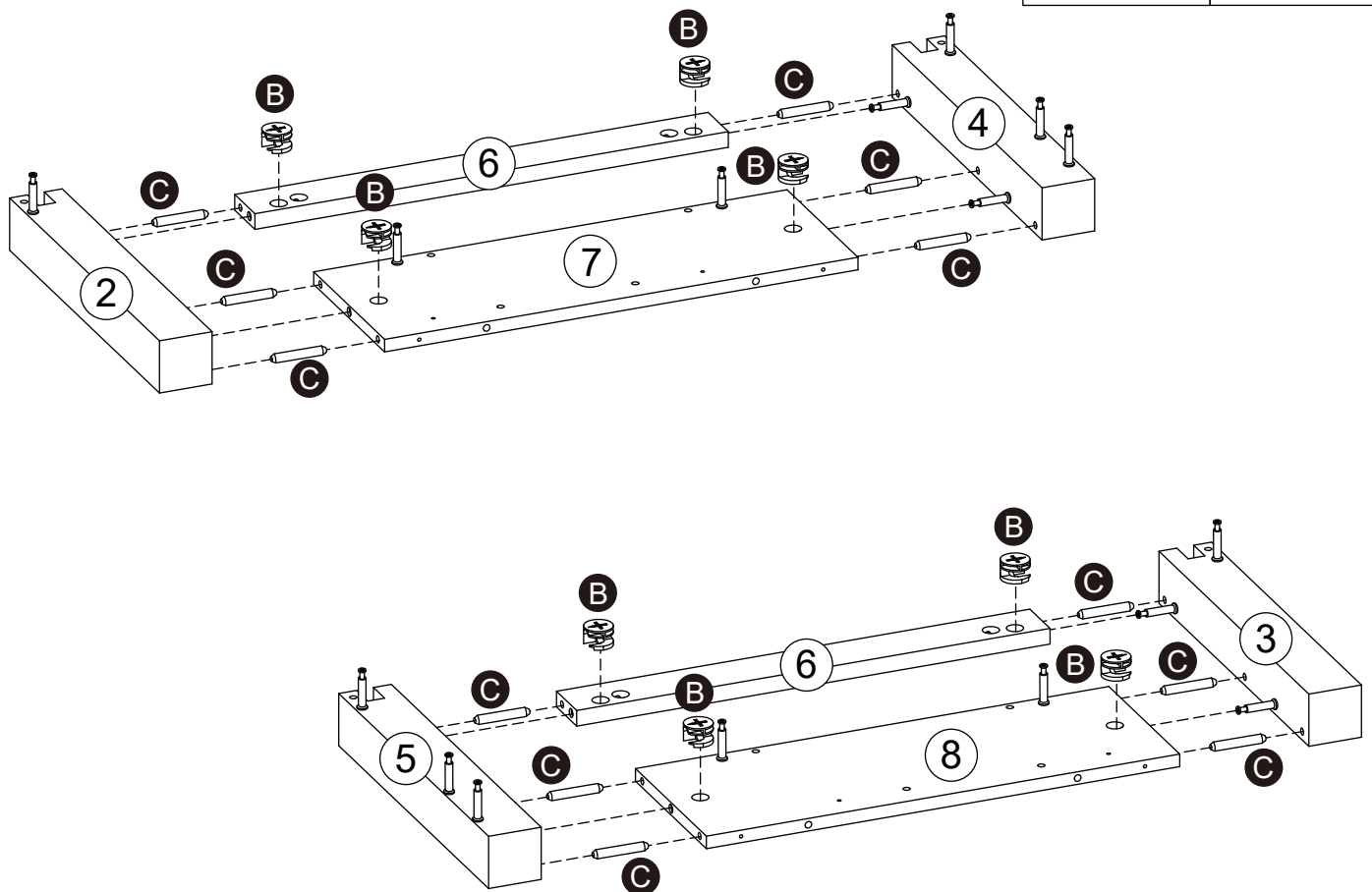
# Step 3



**A** x4



# Step 4





**B** x8

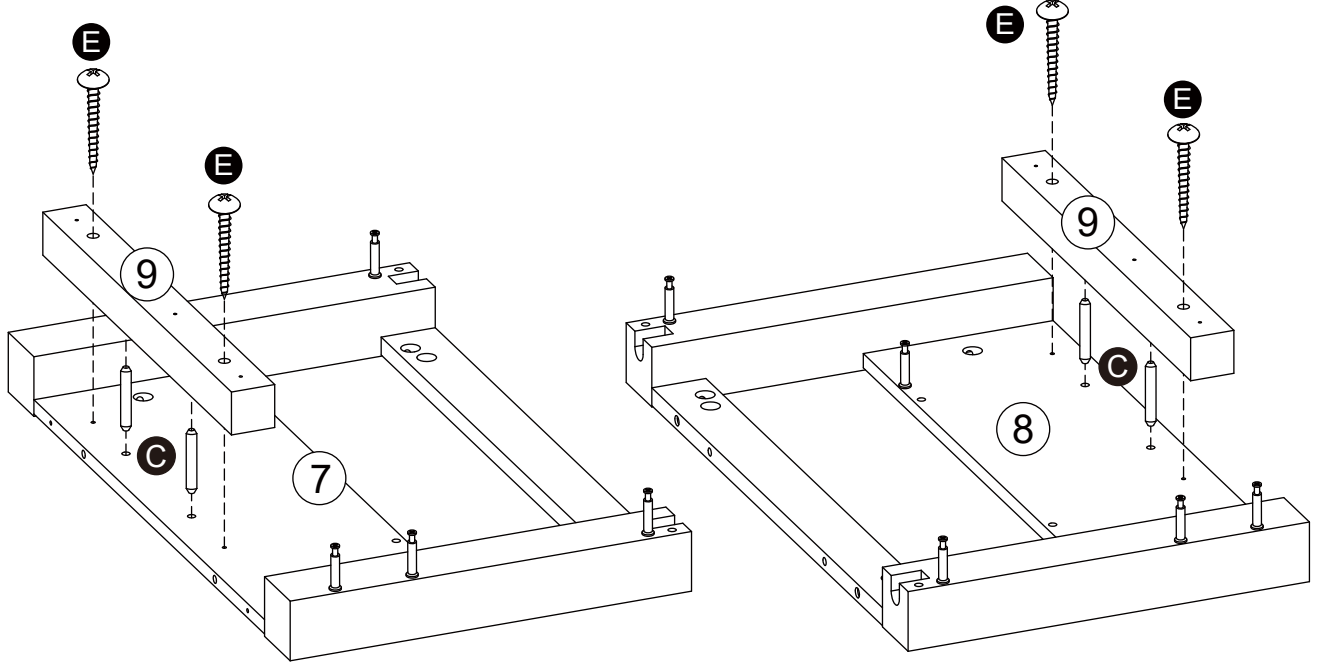


**C** x12


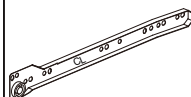
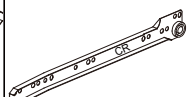


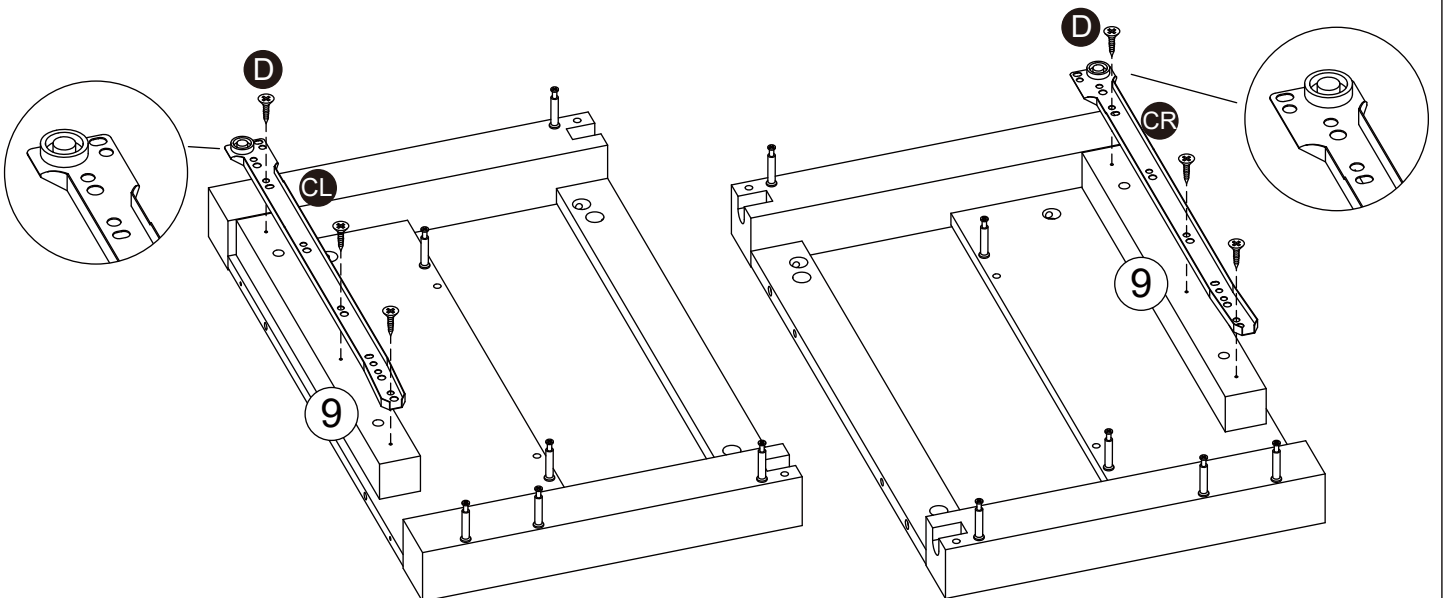
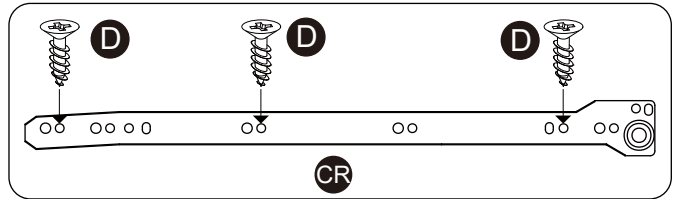
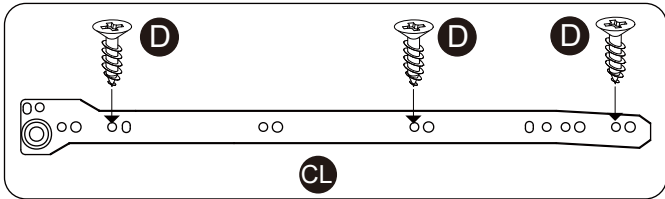
# Step 5

<b>C</b> x4	<b>E</b> x4
	



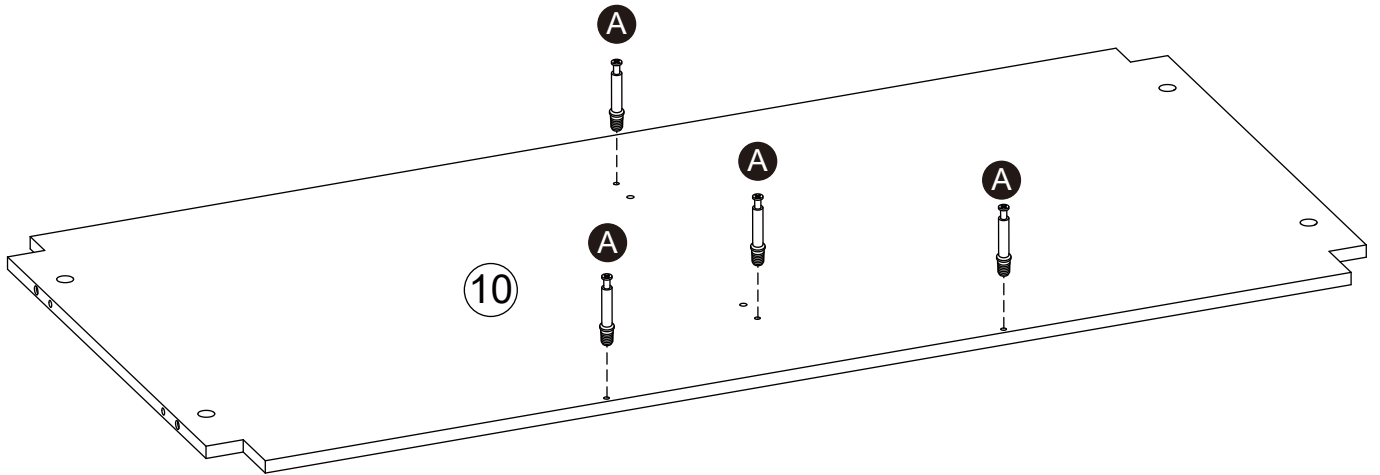
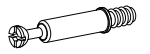
# Step 6

<b>D</b> x6	<b>CL</b> x1	<b>CR</b> x1
		



# Step 7

**A** x4

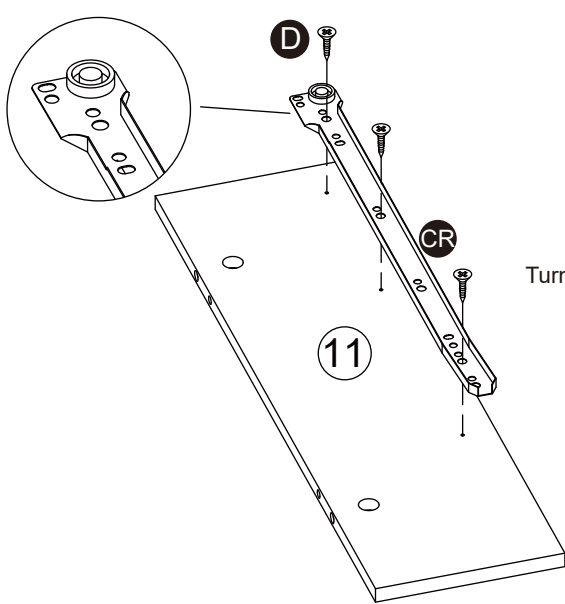
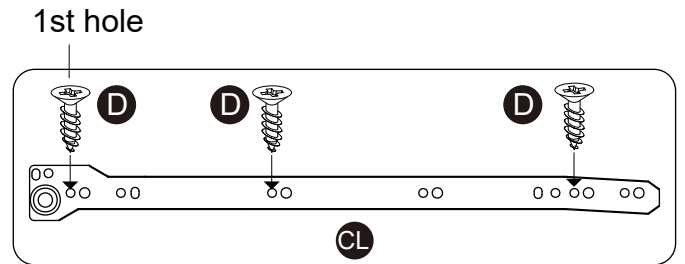
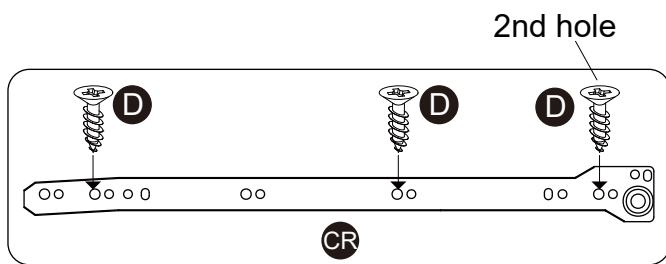
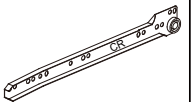
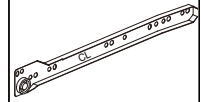


# Step 8

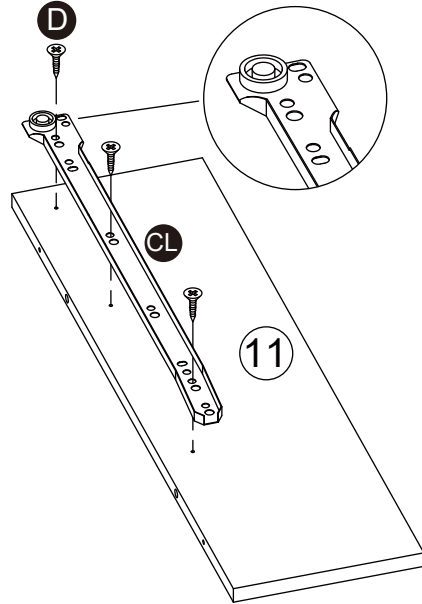
**D** x6

**CL** x1

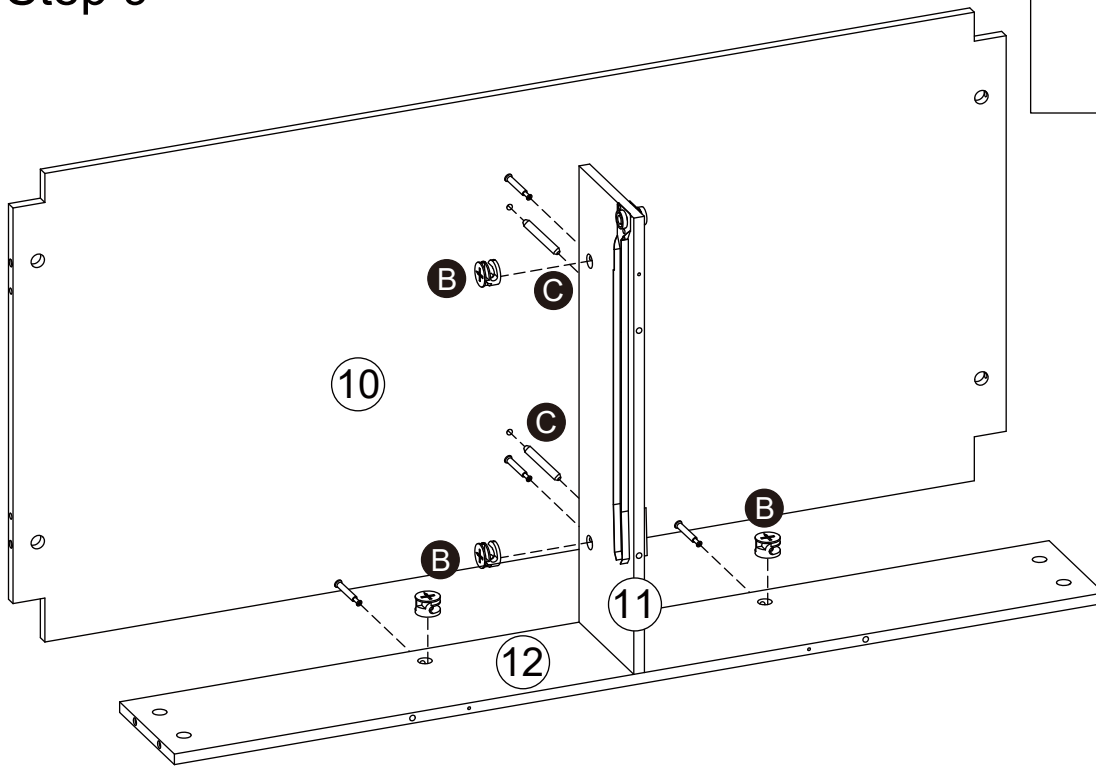
**CR** x1





180°  
Turn the panel over

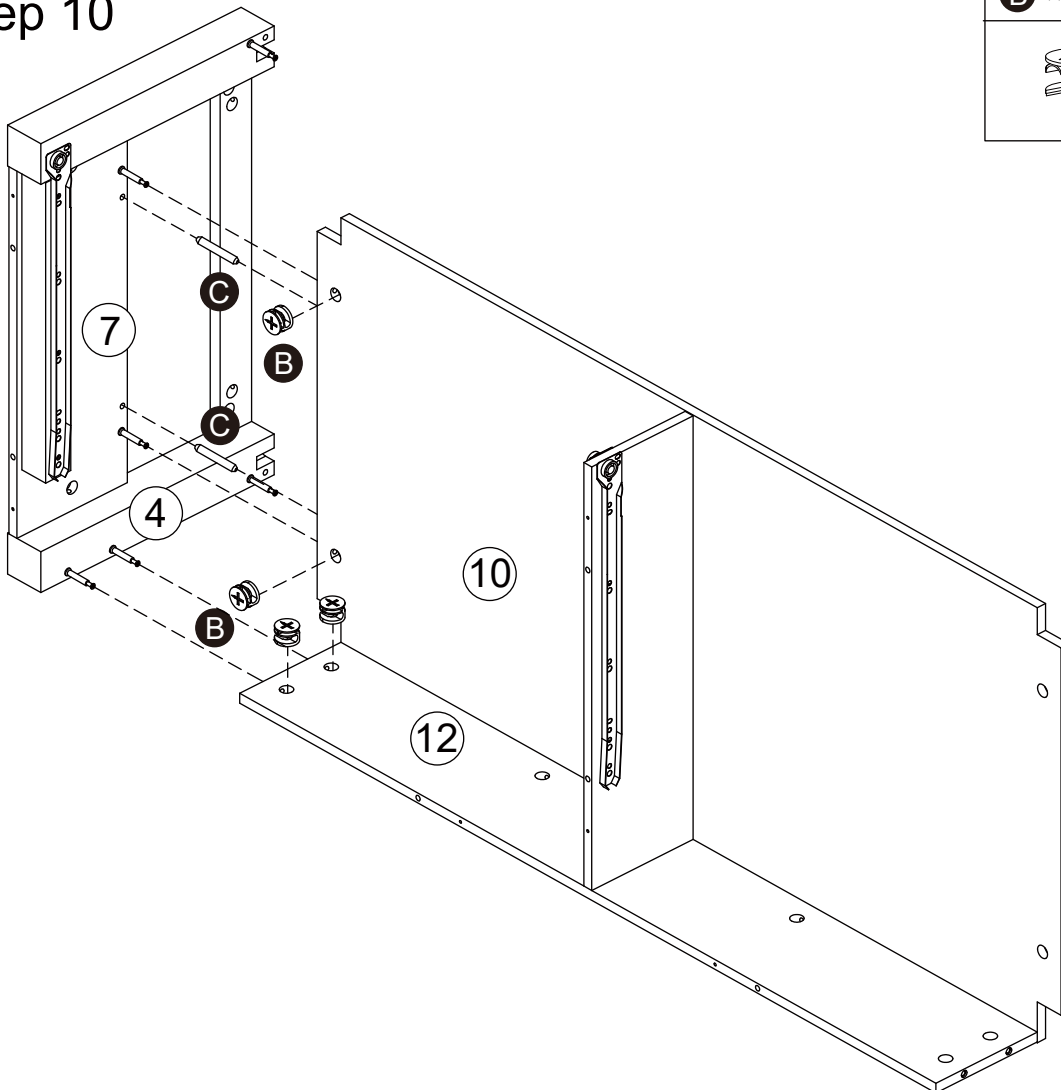




# Step 9



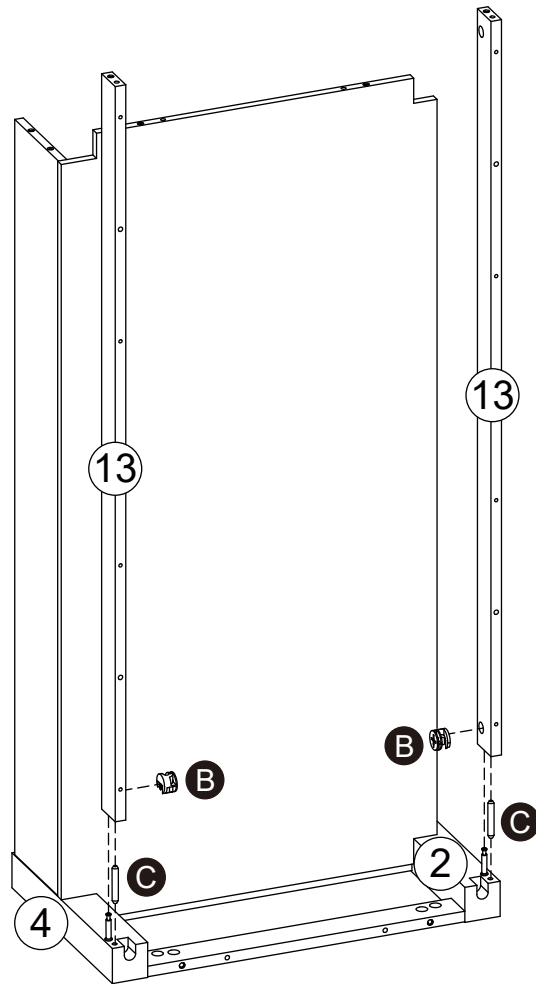
<b>B</b> x4	<b>C</b> x2
	



# Step 10



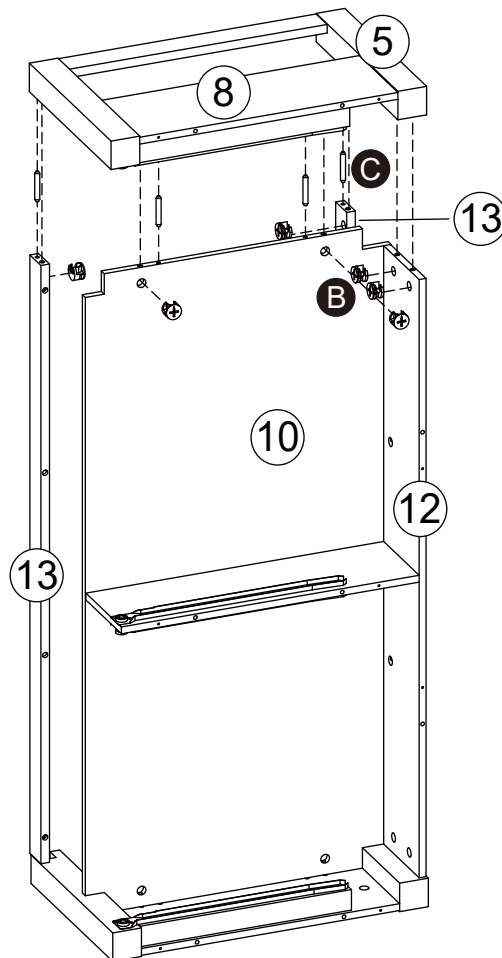
<b>B</b> x4	<b>C</b> x2
	



# Step 11



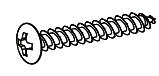
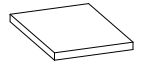
<b>B</b> x2	<b>C</b> x2
	

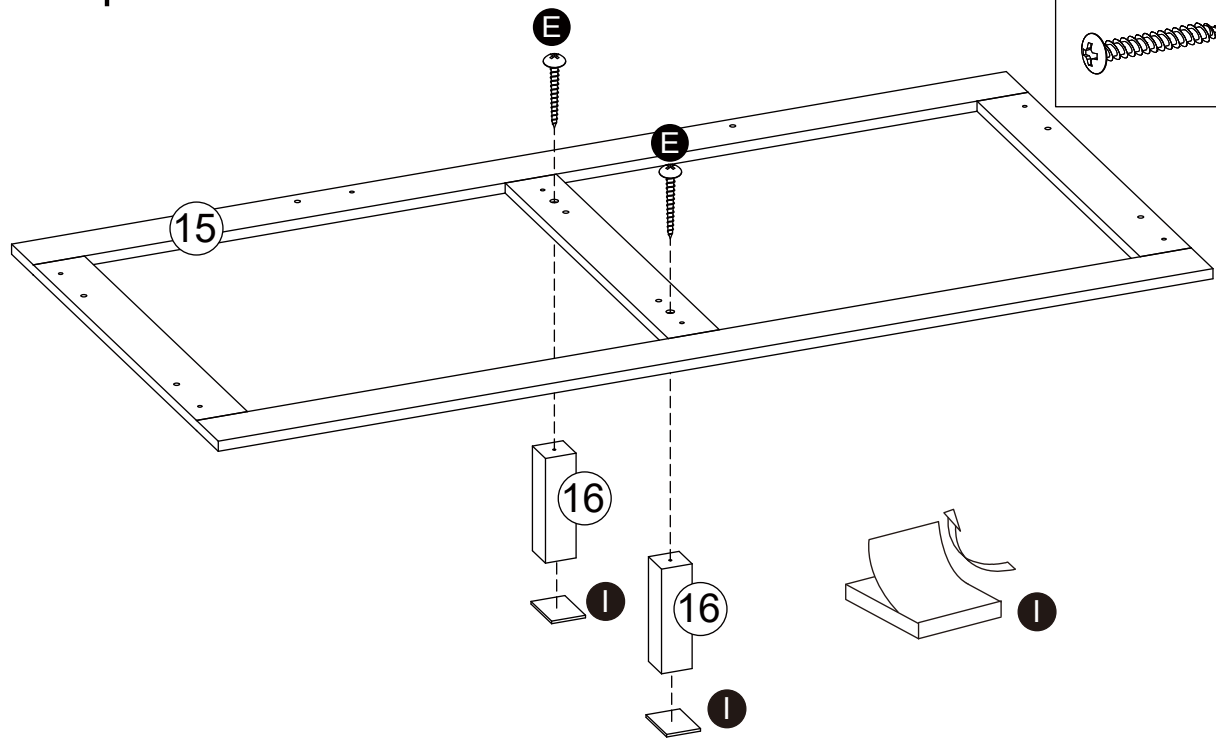
# Step 12



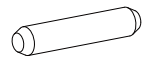
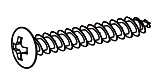
<b>B</b> x6	<b>C</b> x4
	

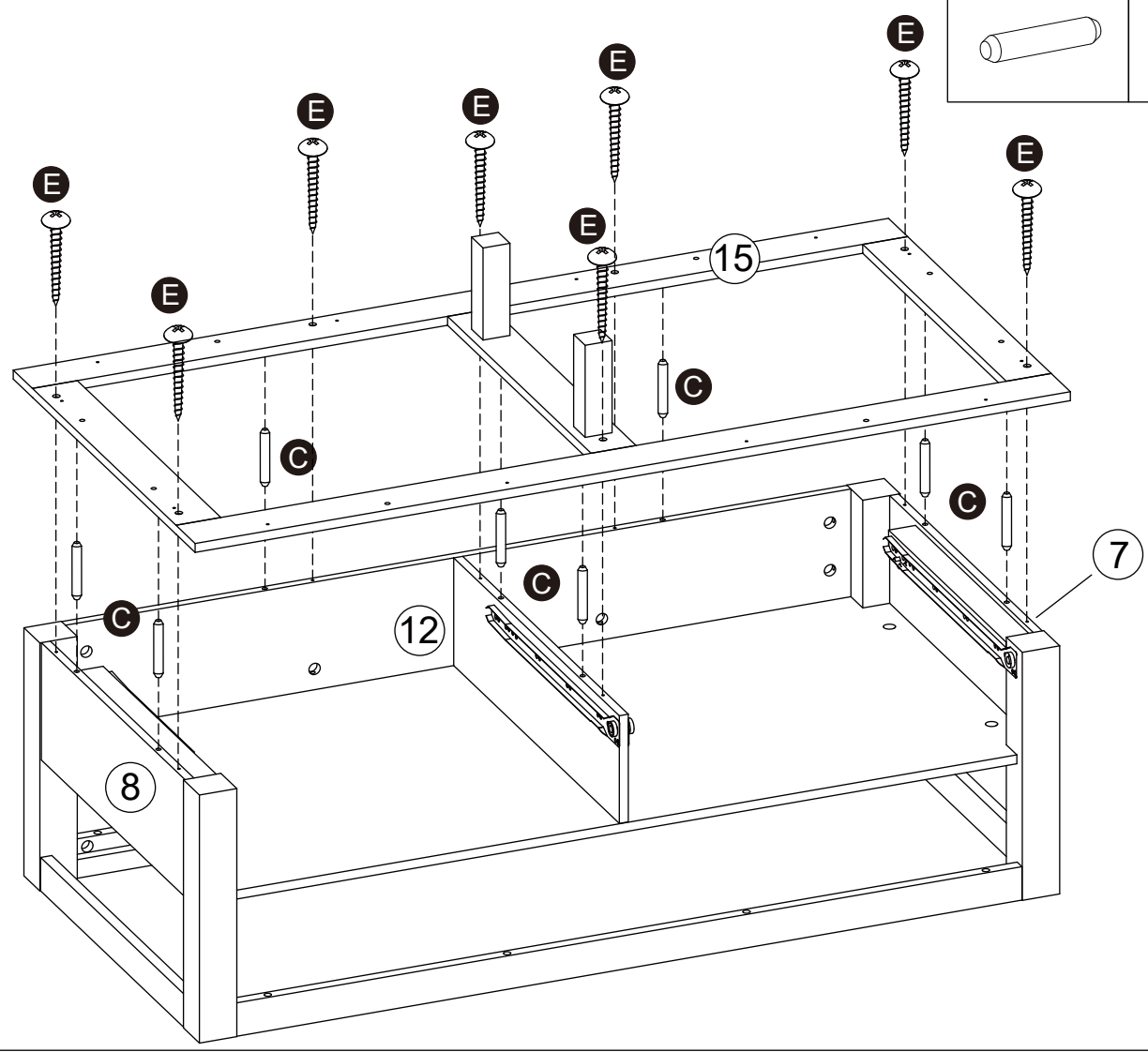
# Step 13

<b>E</b> x2	<b>I</b> x2
	

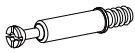




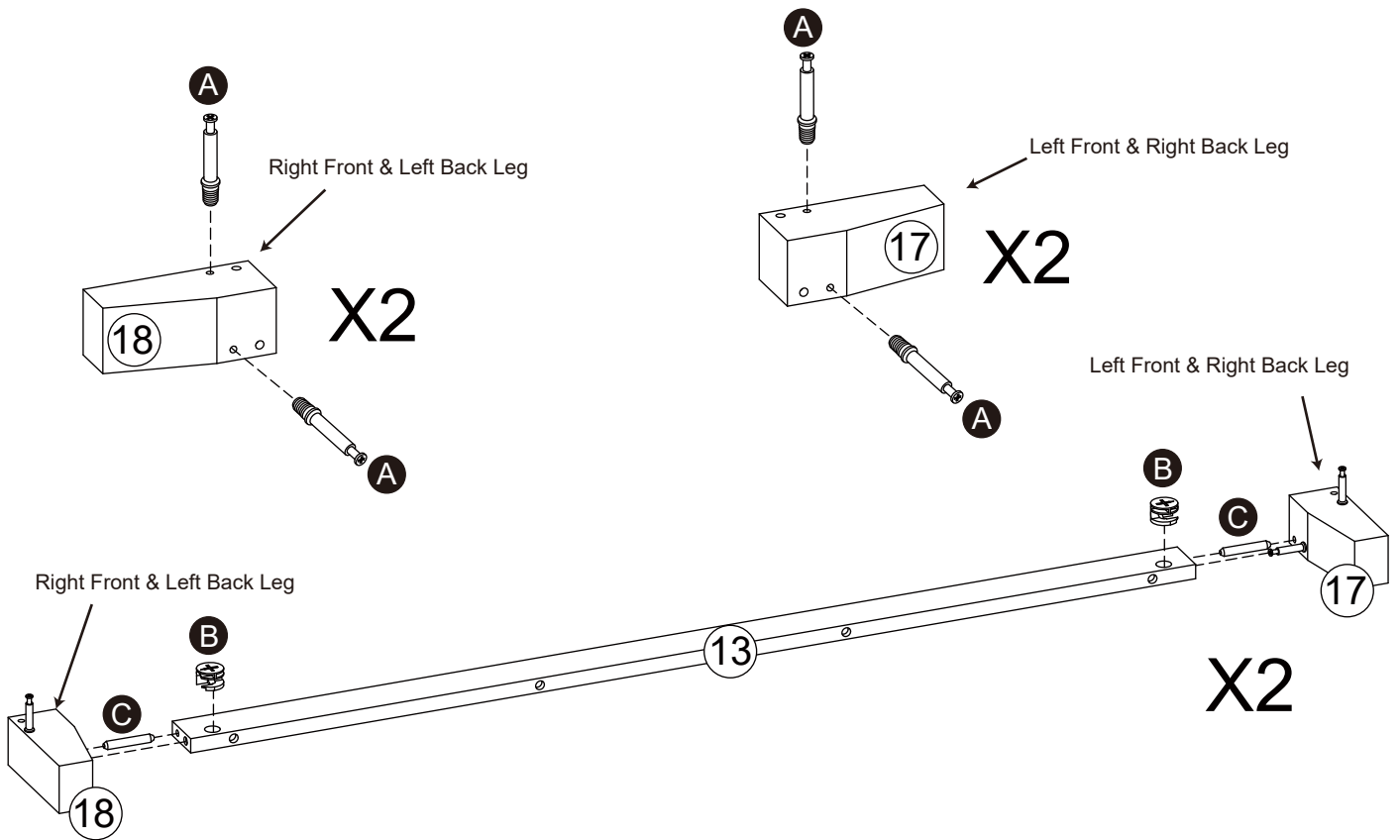
# Step 14

<b>C</b> x8	<b>E</b> x8
	





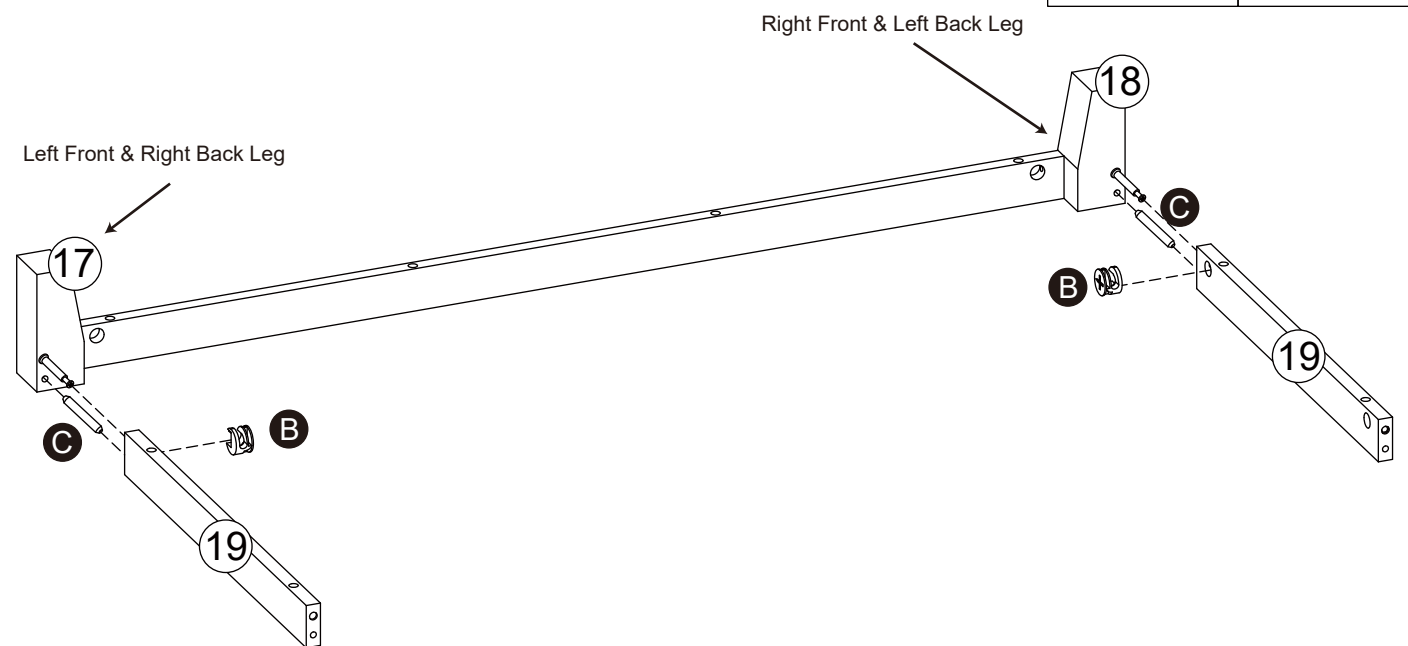
# Step 15

<b>A</b> x8	<b>B</b> x4	<b>C</b> x4
		



# Step 16

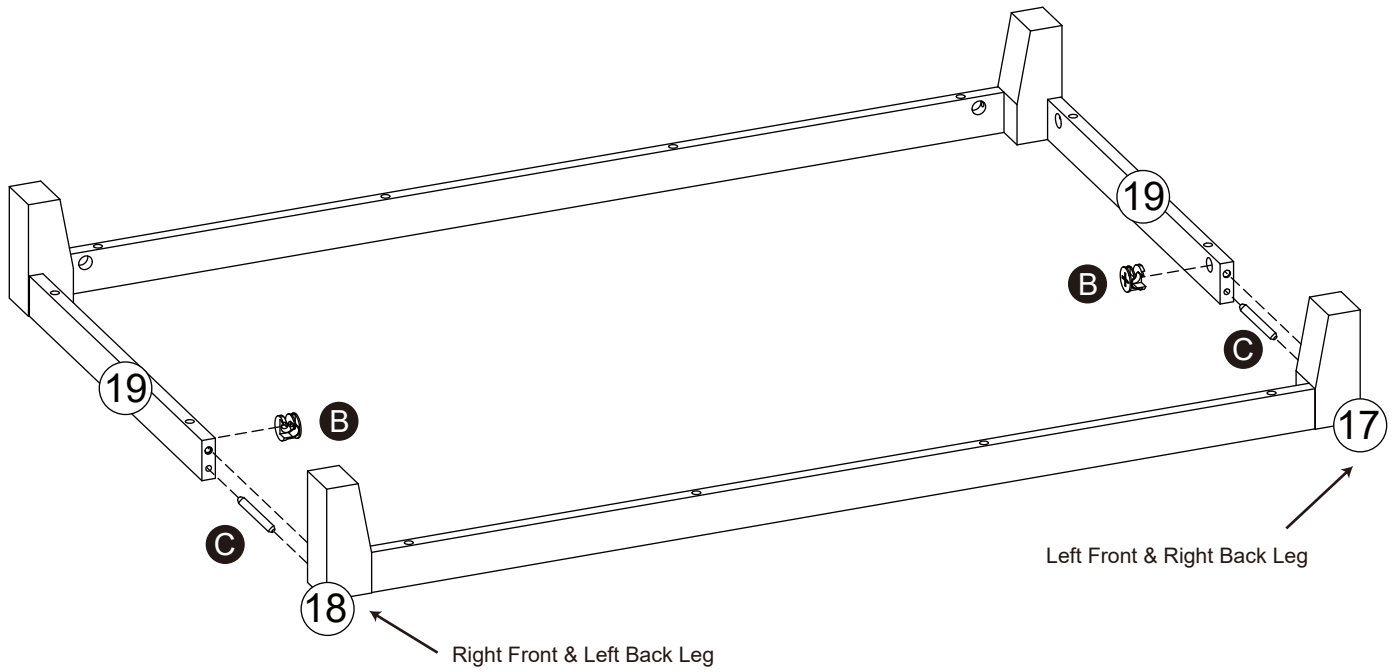
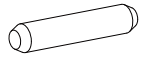
<b>B</b> x2	<b>C</b> x2
	



# Step 17

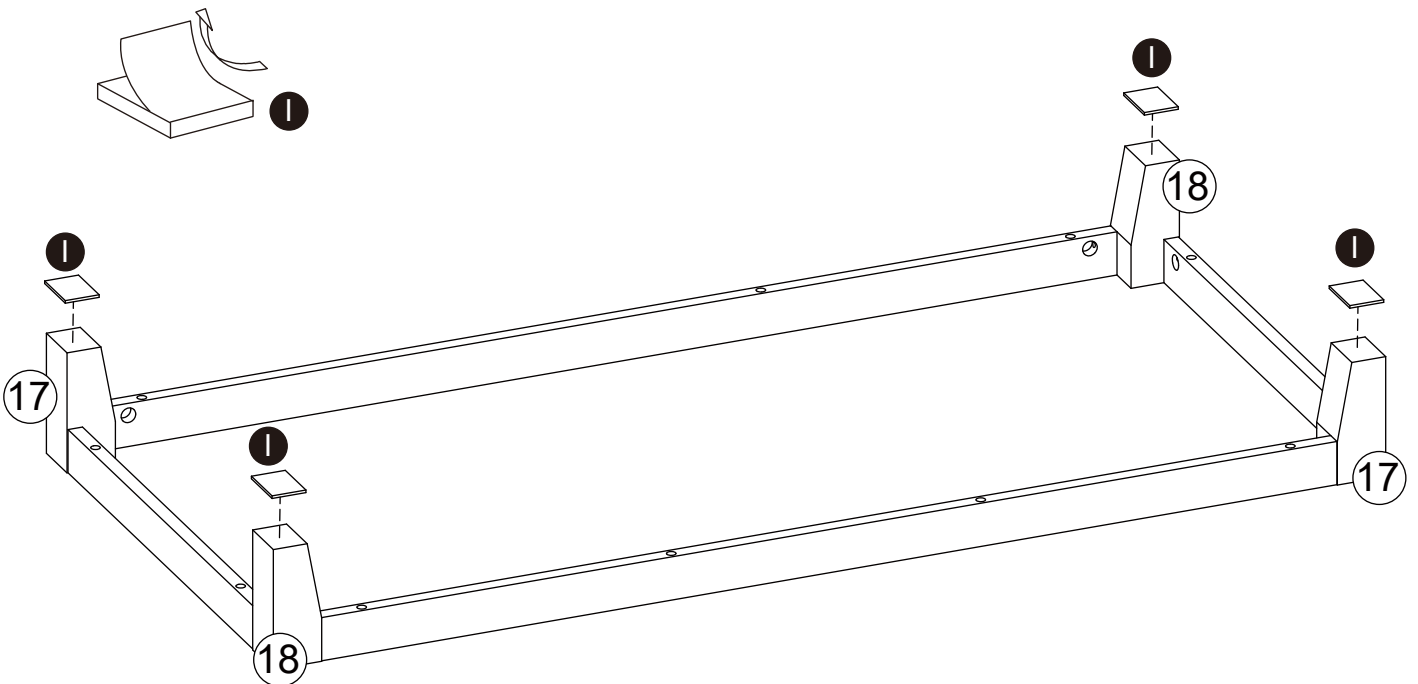
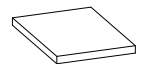
**B** x2

**C** x2


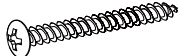


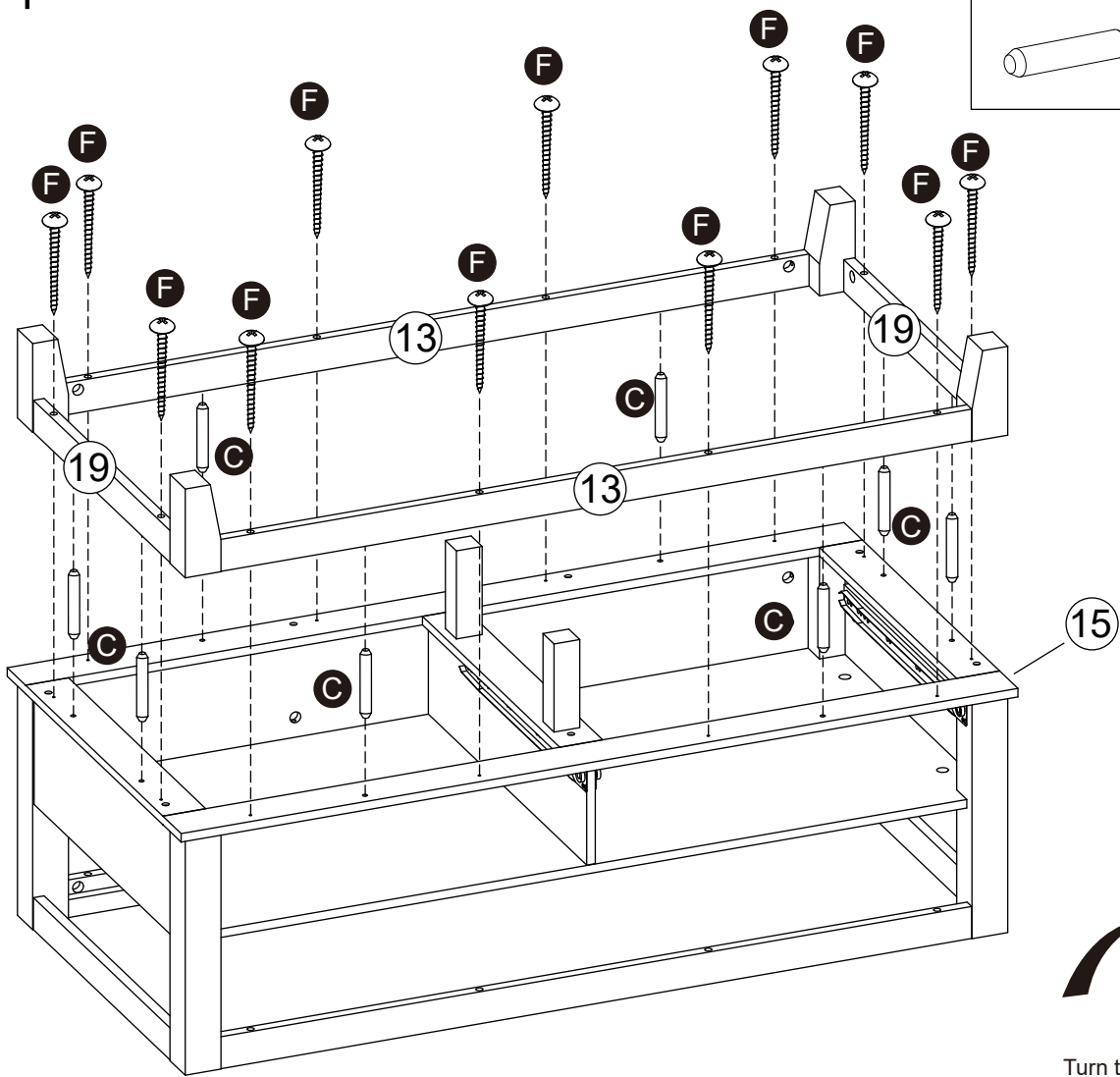
# Step 18

**I** x4

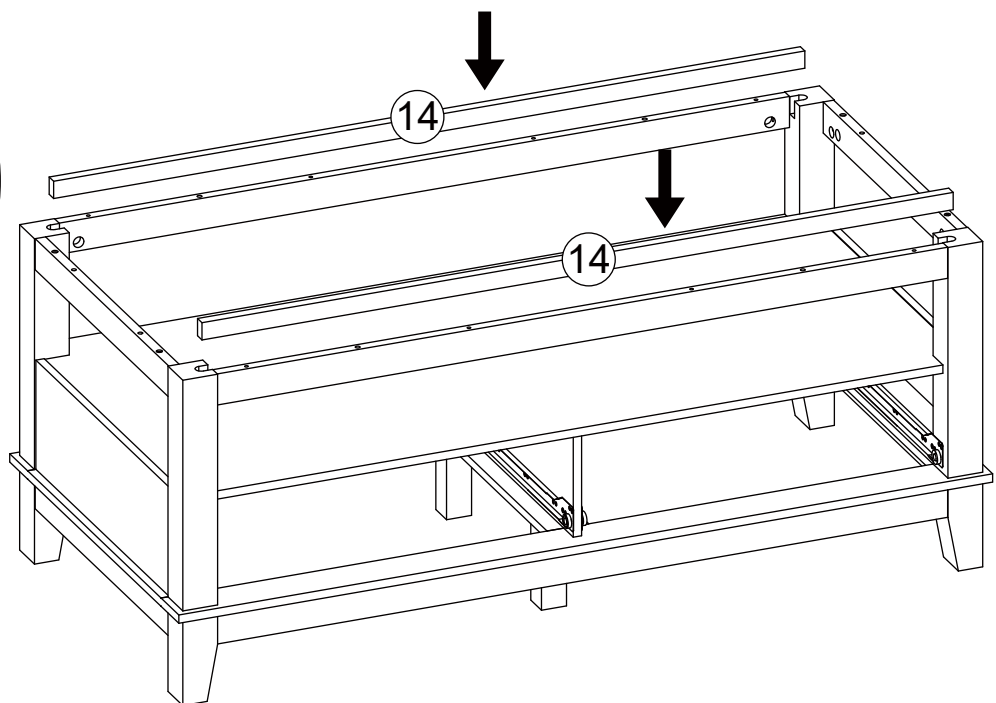
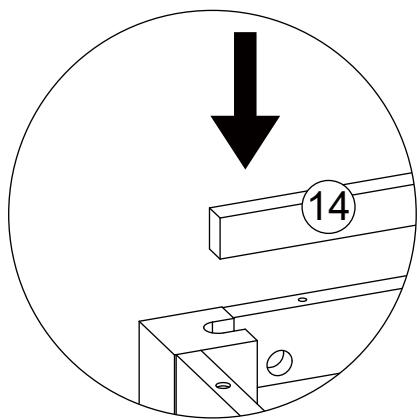


# Step 19

<b>C</b> x8	<b>F</b> x12
	

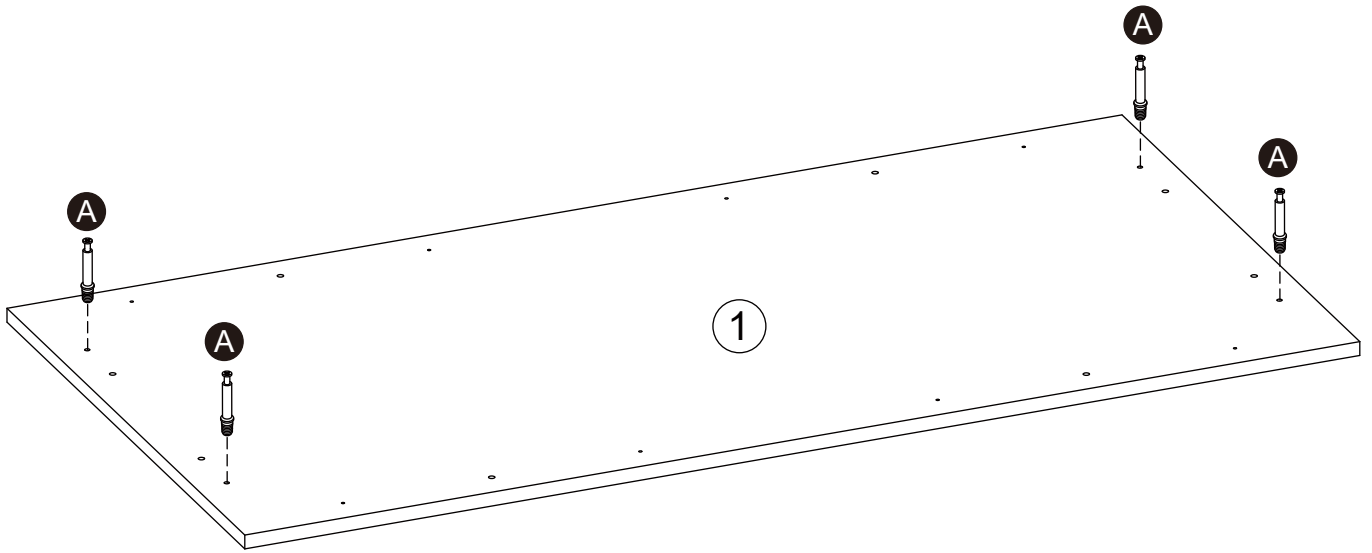


# Step 20



# Step 21

**A** x4

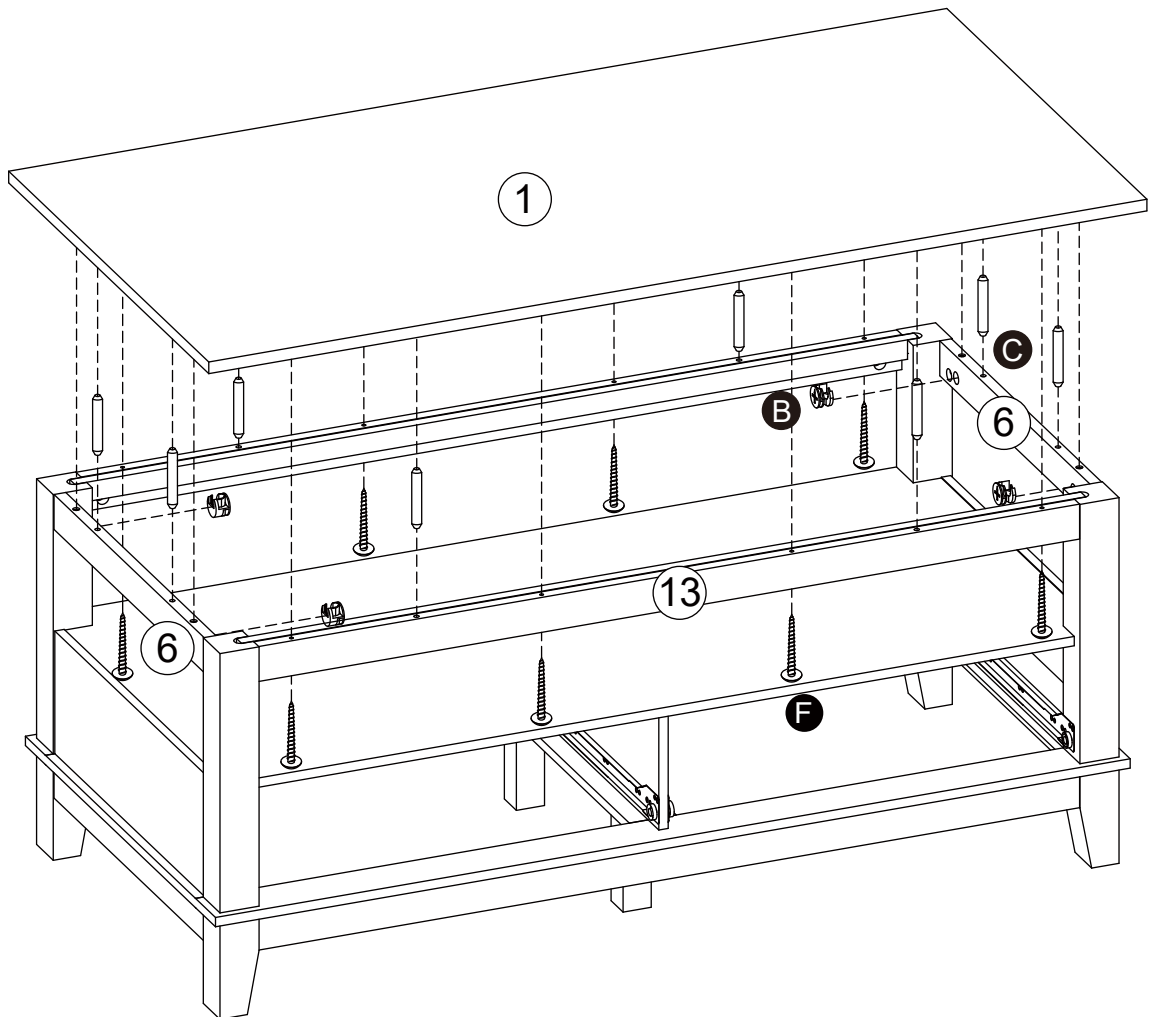


# Step 22

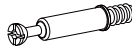


**B** x4

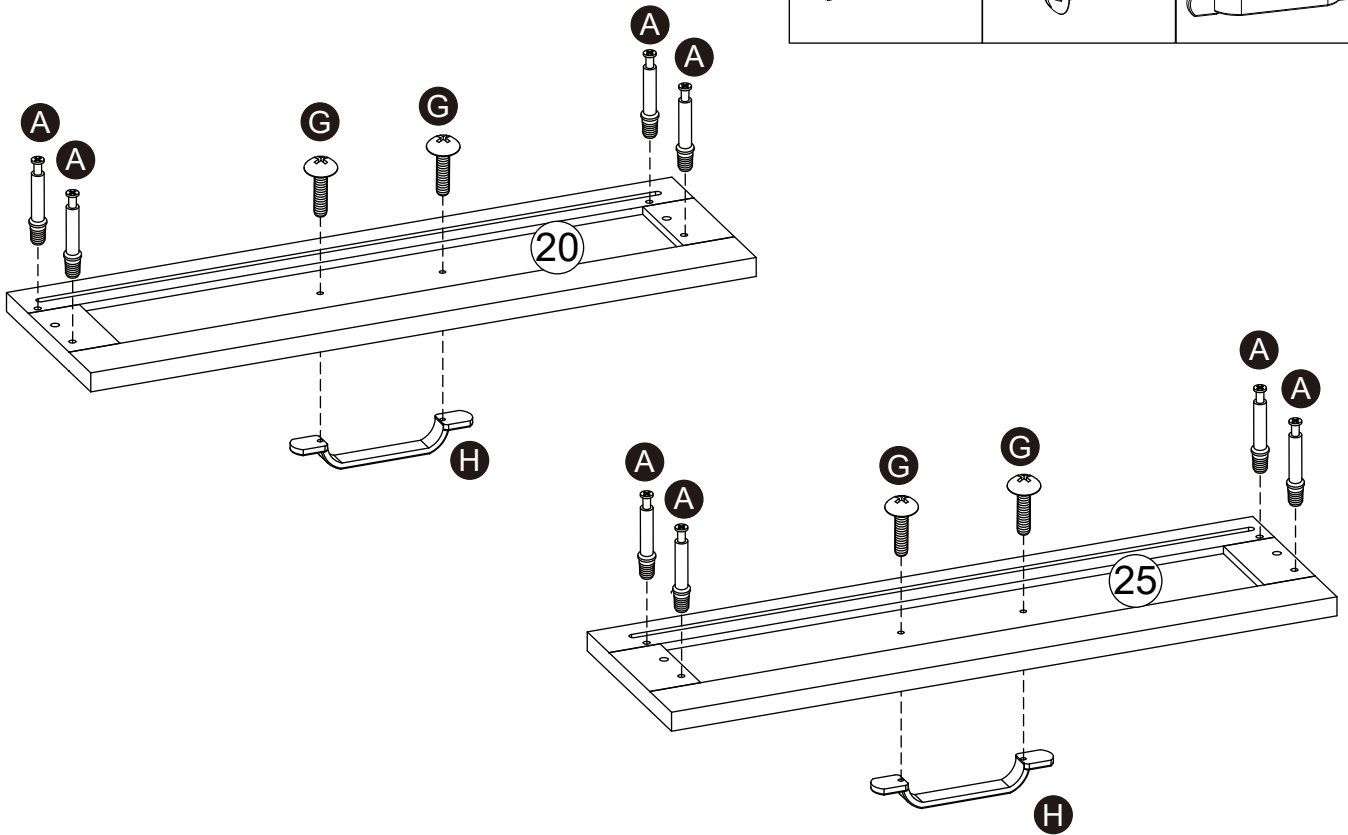
**C** x8

**F** x8

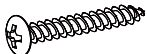


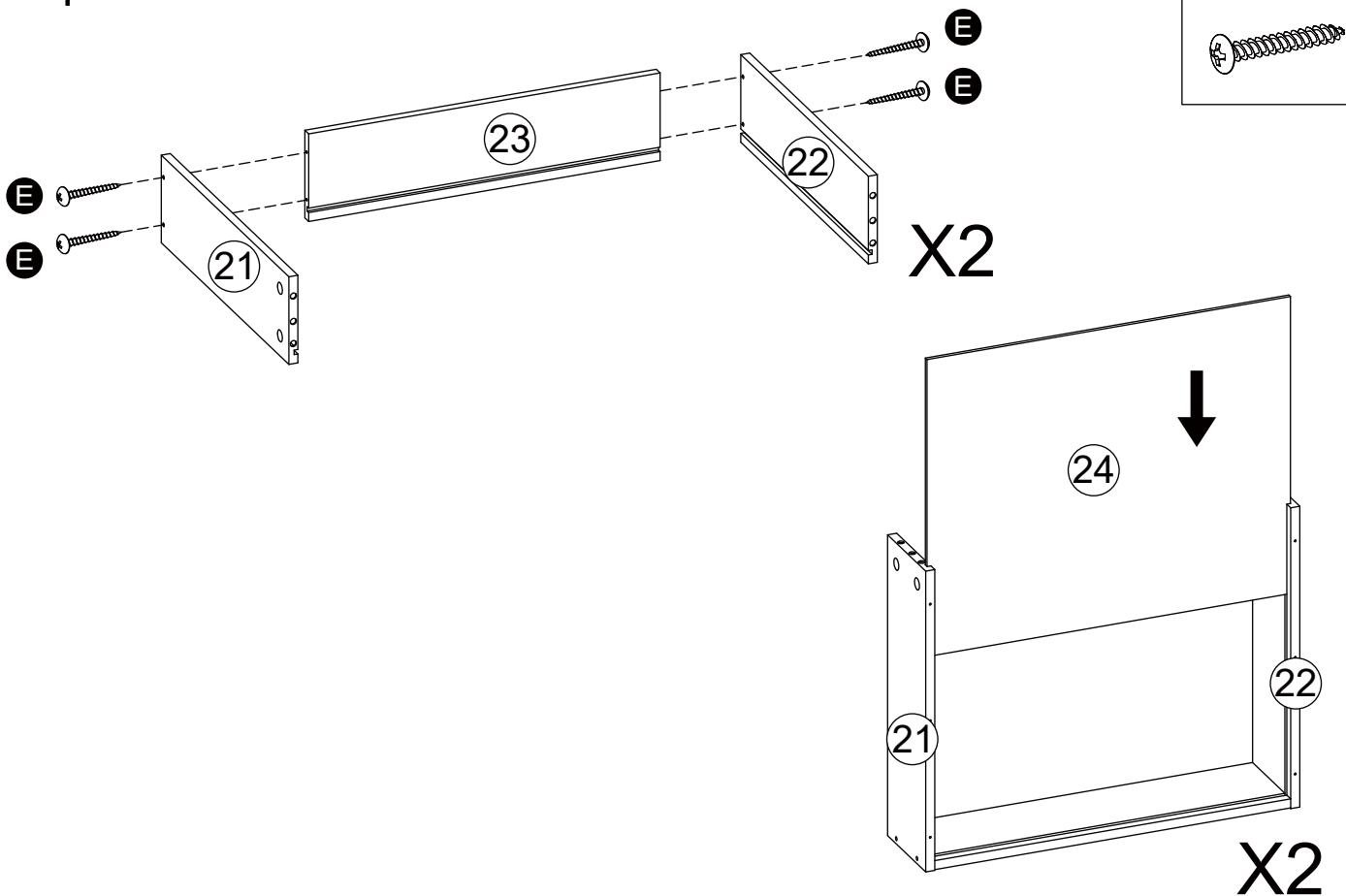
# Step 23

<b>A</b> ×8	<b>G</b> ×4	<b>H</b> ×2
		





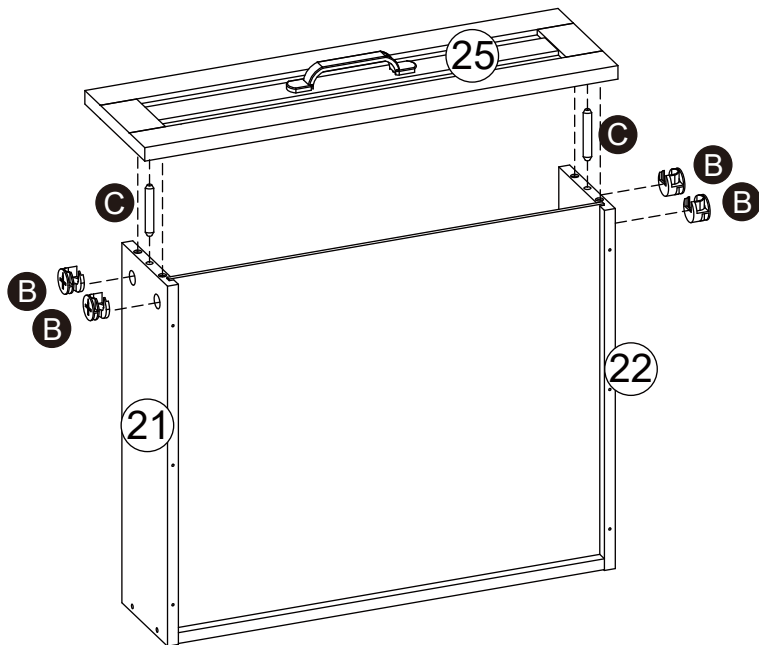
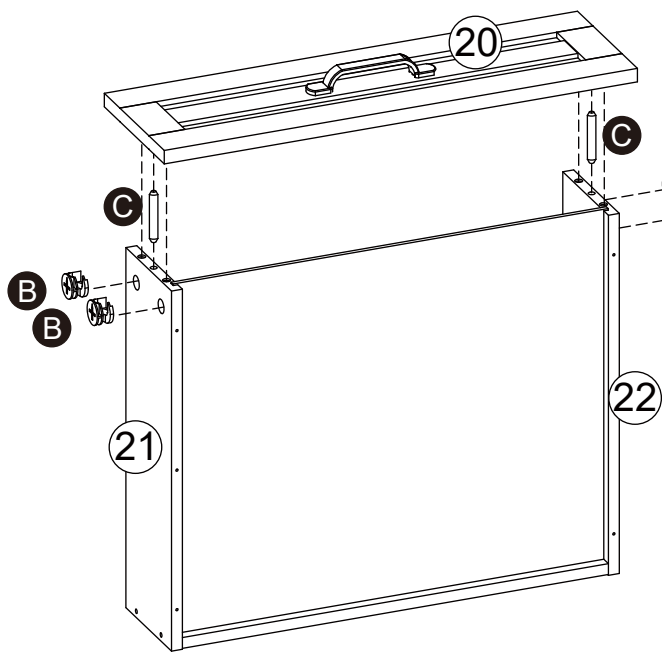
# Step 24

<b>E</b> ×8


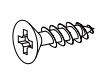
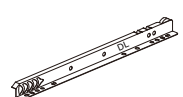
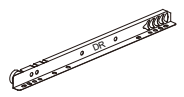


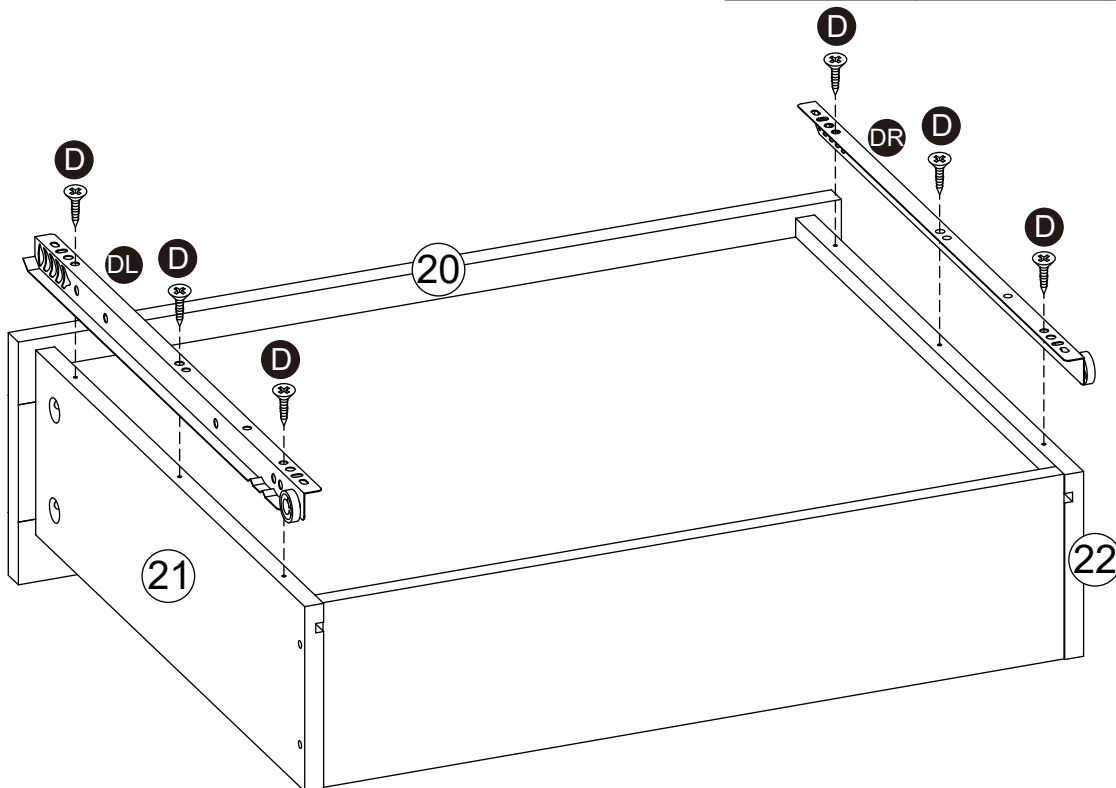
# Step 25

<b>B</b> × 8	<b>C</b> × 4
	


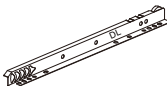
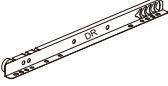


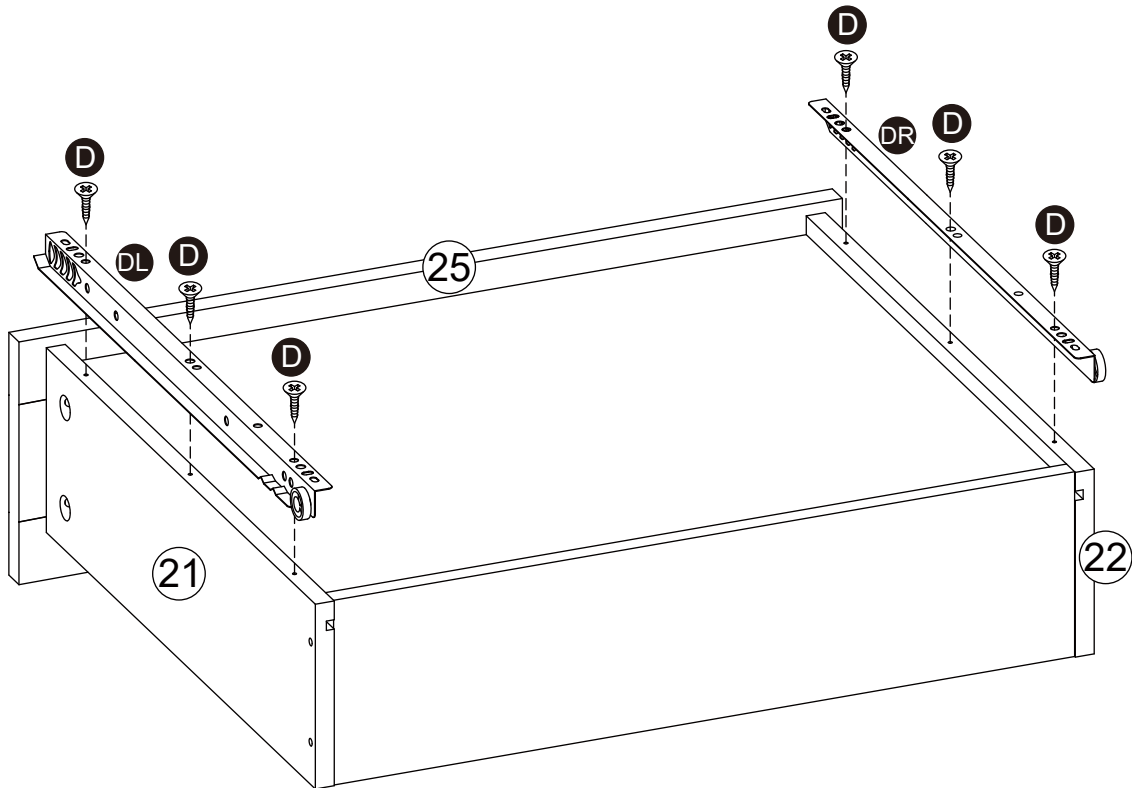
# Step 26

<b>D</b> × 6	<b>DL</b> × 1	<b>DR</b> × 1
		

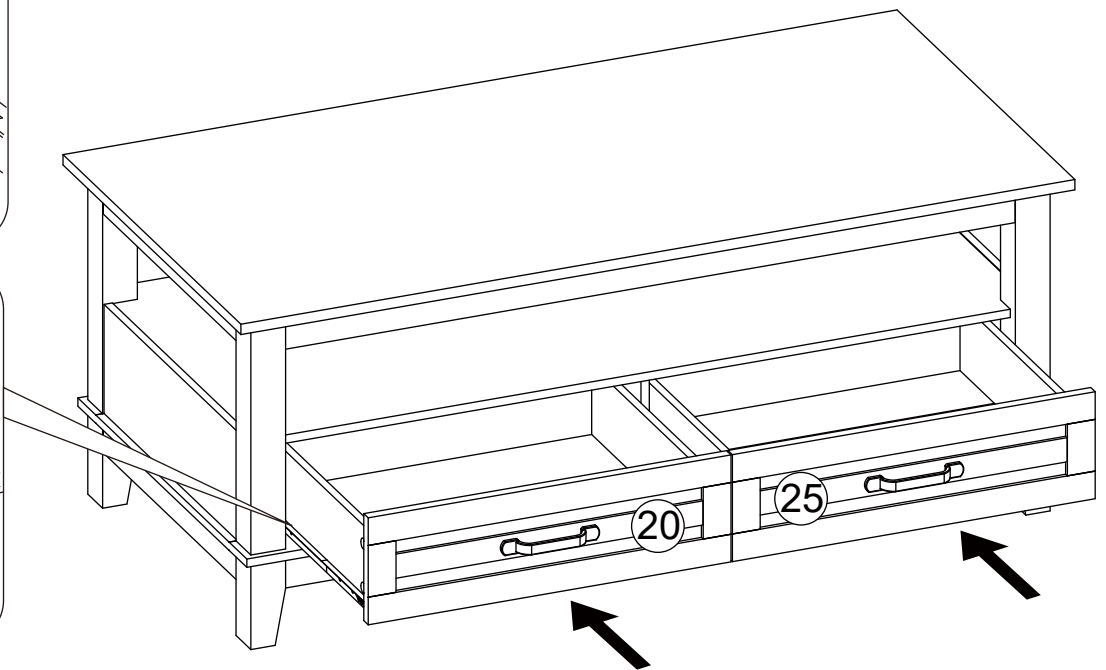
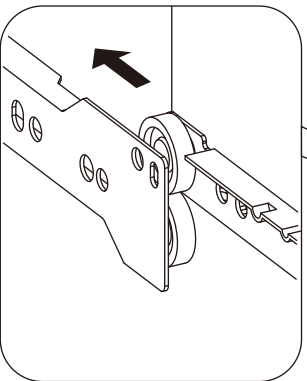
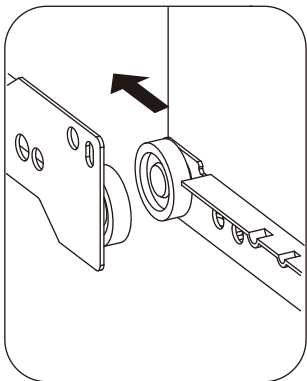


# Step 27

<b>D</b> ×6	<b>DL</b> ×1	<b>DR</b> ×1
		



# Step 28



## Limited Liability & Warning

No Unauthorized Modifications/Repairs: Do not modify or attempt to repair this product unless you are an authorized technician. Unauthorized actions may create hazards and void all warranties

Misuse & Non-Compliance: We are not liable for any injury, damage, or loss resulting from:

- (a) misuse, abuse, neglect, or improper installation;
- (b) failure to follow instructions or safety precautions;
- (c) use of unauthorized parts/accessories;
- (d) unauthorized modifications/repairs;
- (e) accidents, natural disasters, or external causes.

If you doubt any step of installation or operation, stop using the product and contact authorized service or the customer support.

## LIMITACIÓN DE RESPONSABILIDAD Y ADVERTENCIA

Modificaciones o Reparaciones No Autorizadas: NO modifique ni intente reparar este producto a menos que sea un técnico autorizado. Las acciones no autorizadas pueden generar riesgos y anularán todas las garantías.

Uso Indebido e Incumplimiento: No asumimos responsabilidad alguna por lesiones, daños o pérdidas que resulten de:

- (a) uso indebido, abuso, negligencia o instalación incorrecta;
- (b) incumplimiento de las instrucciones o precauciones de seguridad;
- (c) uso de piezas o accesorios no autorizados;
- (d) modificaciones o reparaciones no autorizadas;
- (e) accidentes, desastres naturales o causas externas.

Si tiene dudas sobre algún paso de la instalación o el funcionamiento, deje de usar el producto y póngase en contacto con el servicio técnico autorizado o con atención al cliente.