

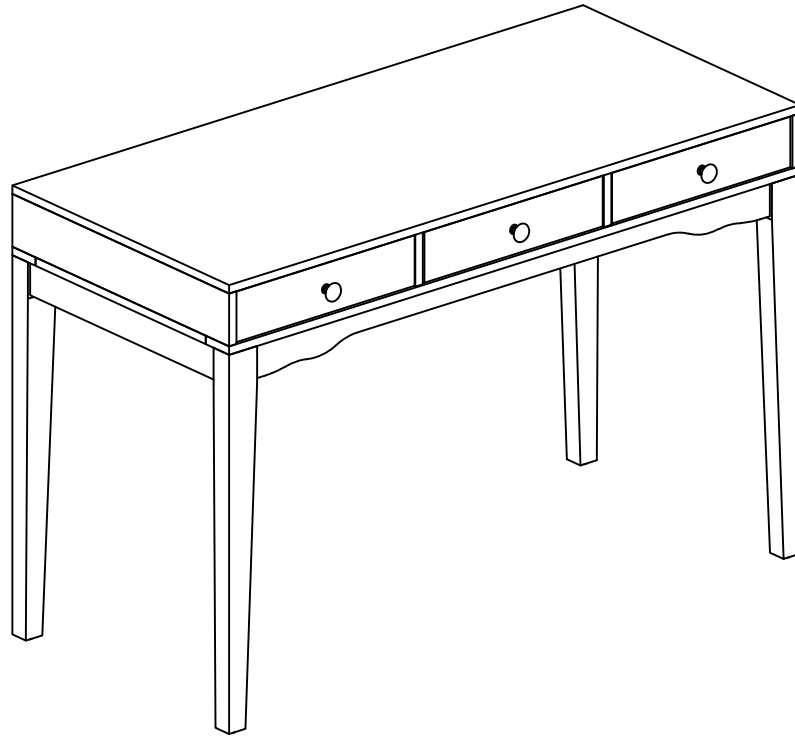
ASSEMBLY INSTRUCTIONS

eHemco Library / Home office Desk

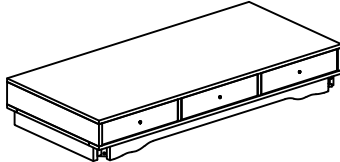
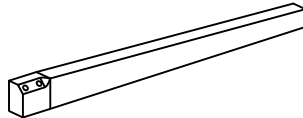
PRODUCT NO: 7365 (CFV4020C)

ASSEMBLY ON A FLAT, PROTECTED SURFACE.

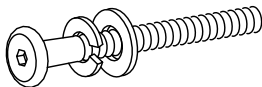

PHILLIPS HEAD SCREWDRIVER NEEDED FOR ASEMBLY; NOT PROVIDED.



PARTS LIST:

No.	DESCRIPTION	FIGURE	QTY
A	TOP FRAME		1
B	LEG		4

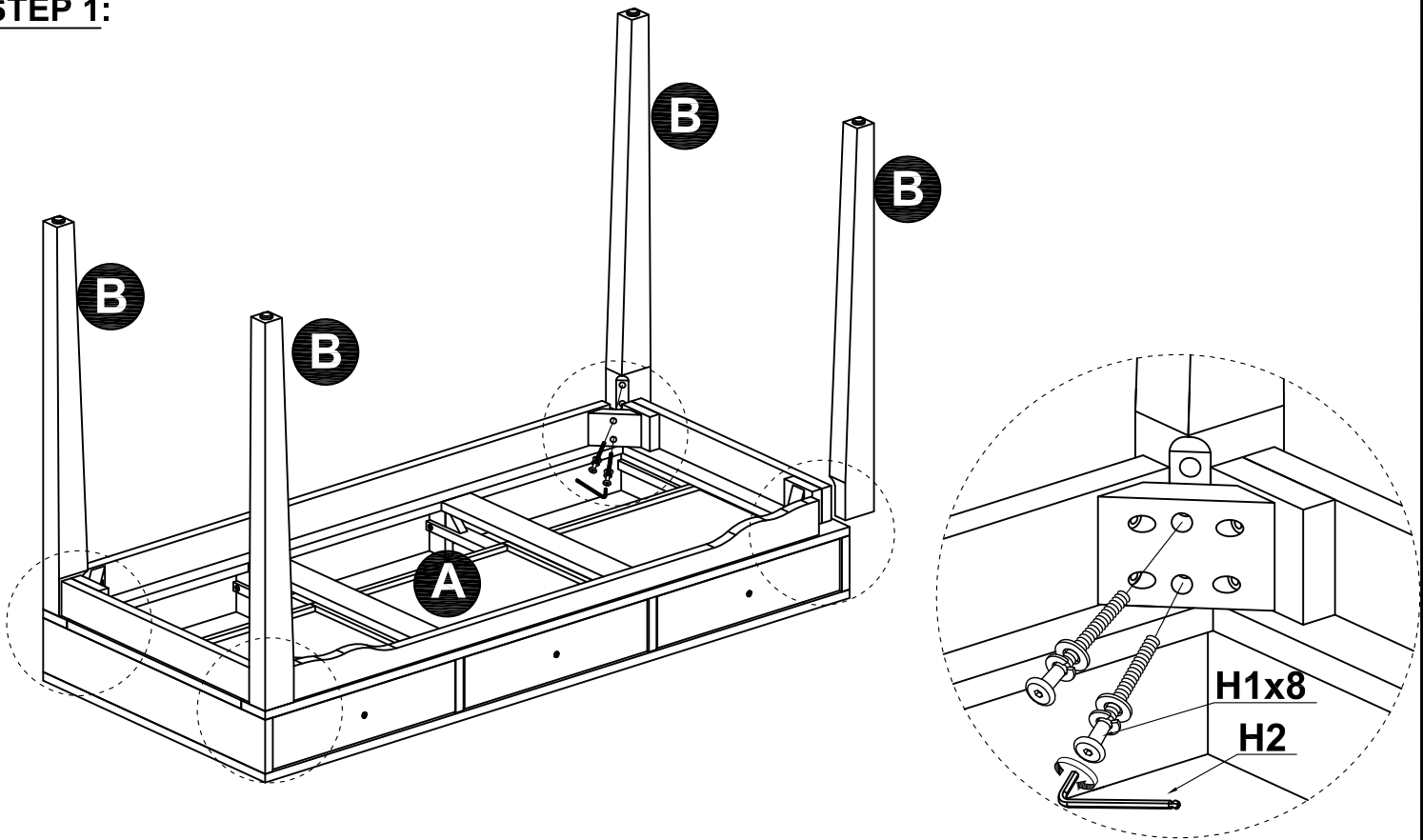
HARDWARE LIST

No.	DESCRIPTION	FIGURE	QTY
H1	BOLT(1/4" x 75mm) & SPRING WASHER, FLAT WASHER (1/4")		8
H2	ALLEN KEY 4mm		1

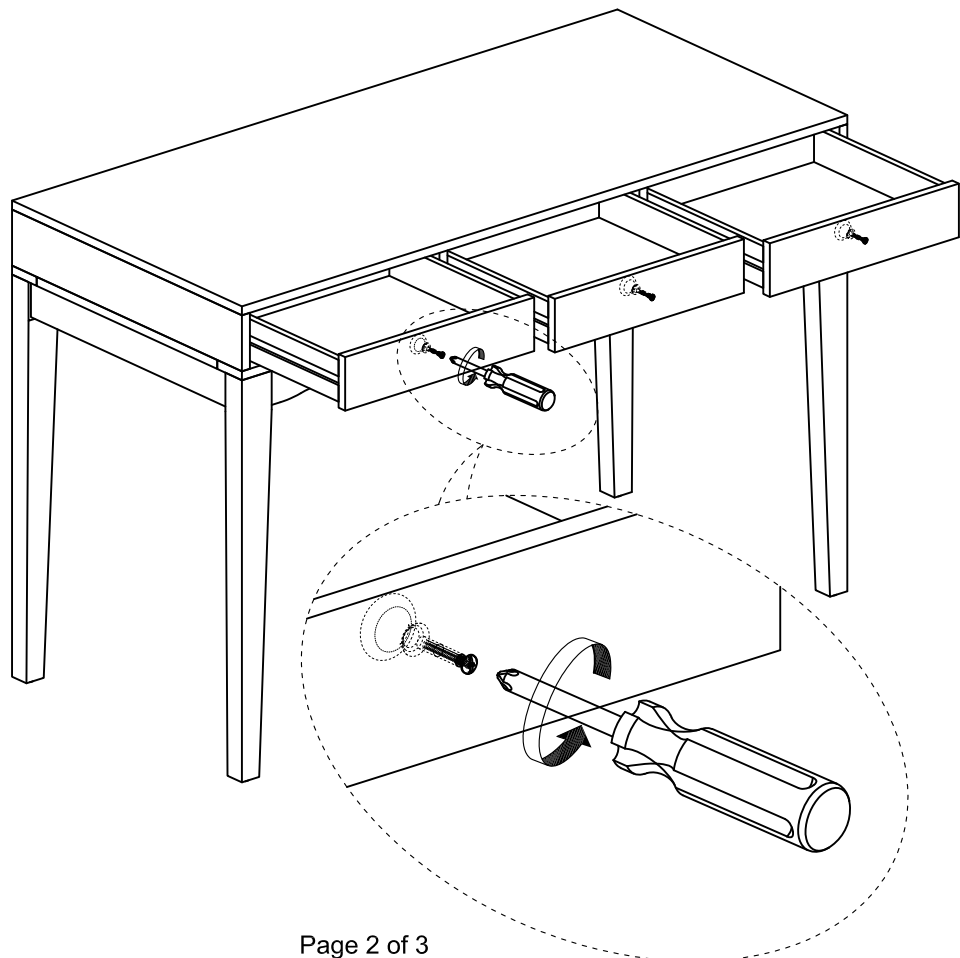
ASSEMBLY INSTRUCTIONS

PRODUCT NO: 7365 (CFV4020C)

STEP 1:



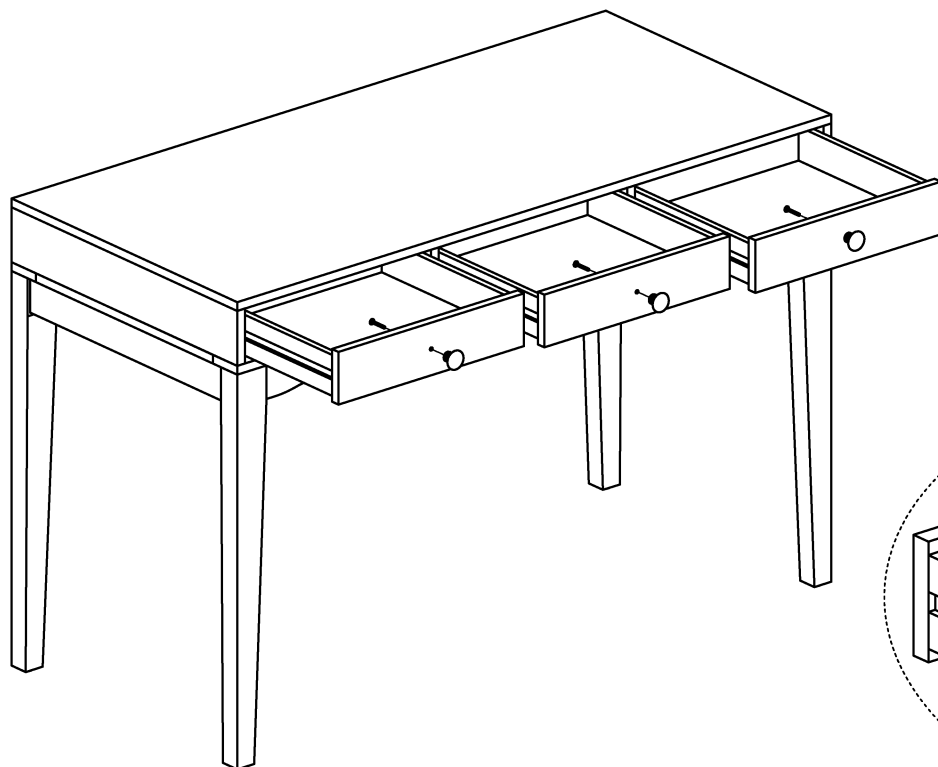
STEP 2: Pull the drawers out then turn the bolts counterclockwise to remove the handles from the drawers as shown below.



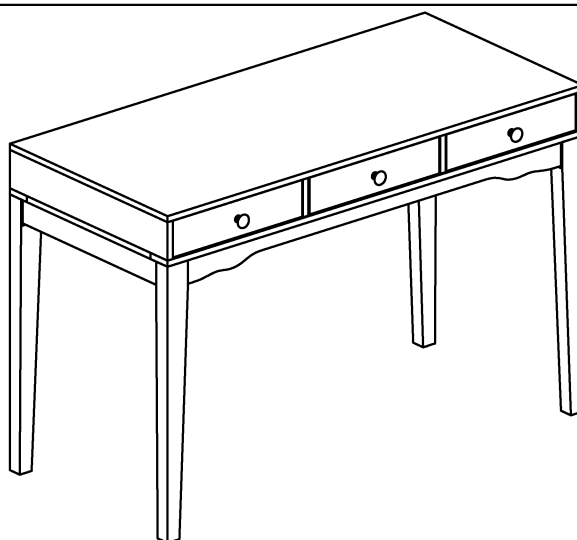
ASSEMBLY INSTRUCTIONS

PRODUCT NO: 7365 (CFV4020C)

STEP 3: Turn the bolt clockwise to tighten the handles as shown below.



STEP 4:



IMPORTANT NOTE:

- PLACE ALL WOODEN PARTS ON A CLEAN AND SMOOTH SURFACE TO AVOID SCRATCHING.
- KINDLY FOLLOW THE ASSEMBLY INSTRUCTION STEP BY STEP.
- WE RECOMMEND THAT YOU PERIODICALLY TIGHTEN ALL BOLTS/SCREWS. PLEASE MAKE SURE ALL BOLTS/ SCREWS ARE PLACED IN THEIR PROPER POSITION AND ARE TIGHTENED SECURELY TO ENSURE YOUR SAFETY.
- WEIGHT RESTRICTION: TOP 150 LBS.
- DO NOT SIT, STAND OR CLIMB ON THE DESK
- NOT FOR COMMERCIAL USE.

* In case you need any extra parts, please feel free to contact us directly instead of returning your order, we will be more than happy to help you within a business day.

CHICAGO STOOL & CHAIR INC.

1230 St. Charles Street, Elgin, IL 60120, USA

Tel # 847-2899955

Fax # 847-2899911

Email: service@ehemco.com

www.eHemco.com

VERSION : NOV 4,2024