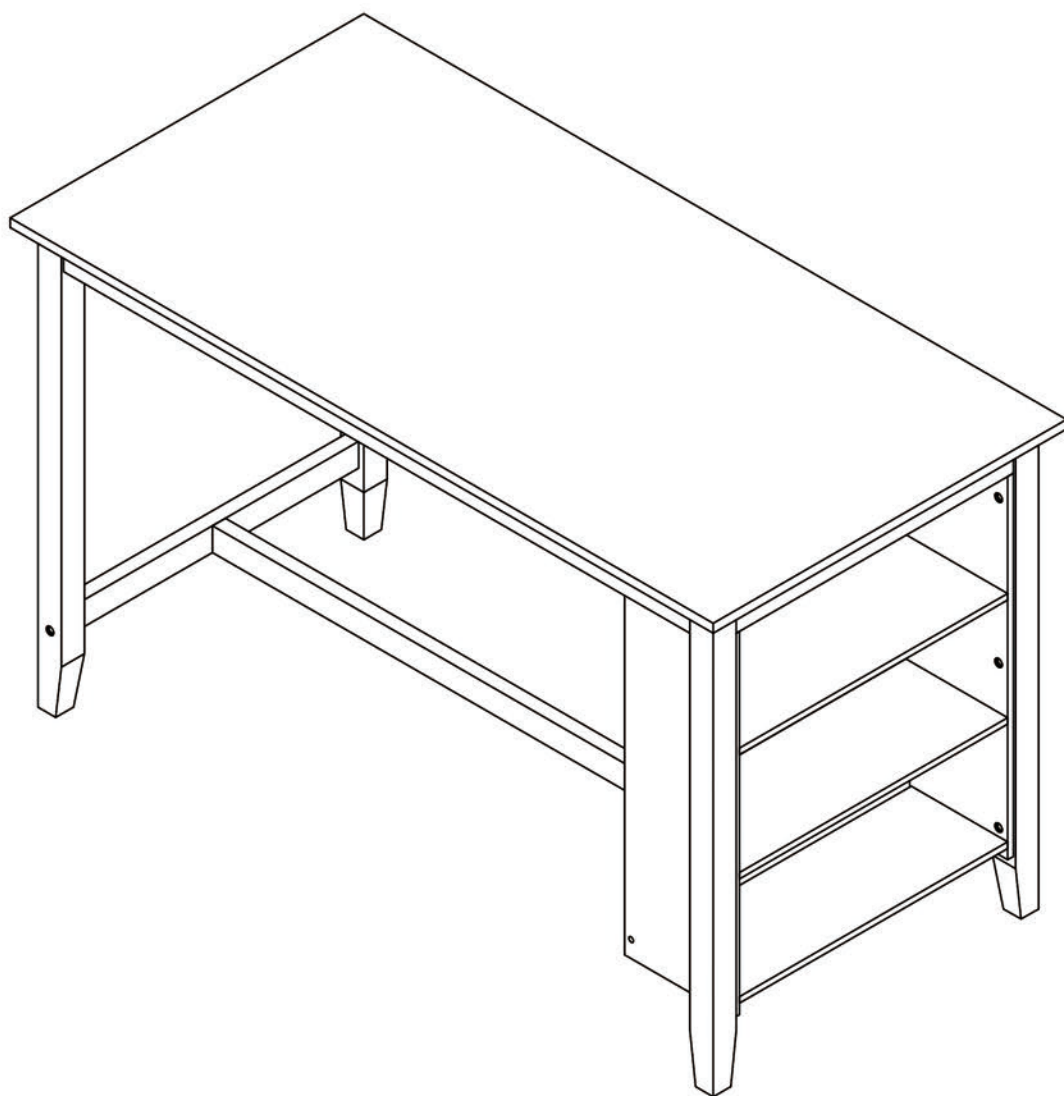


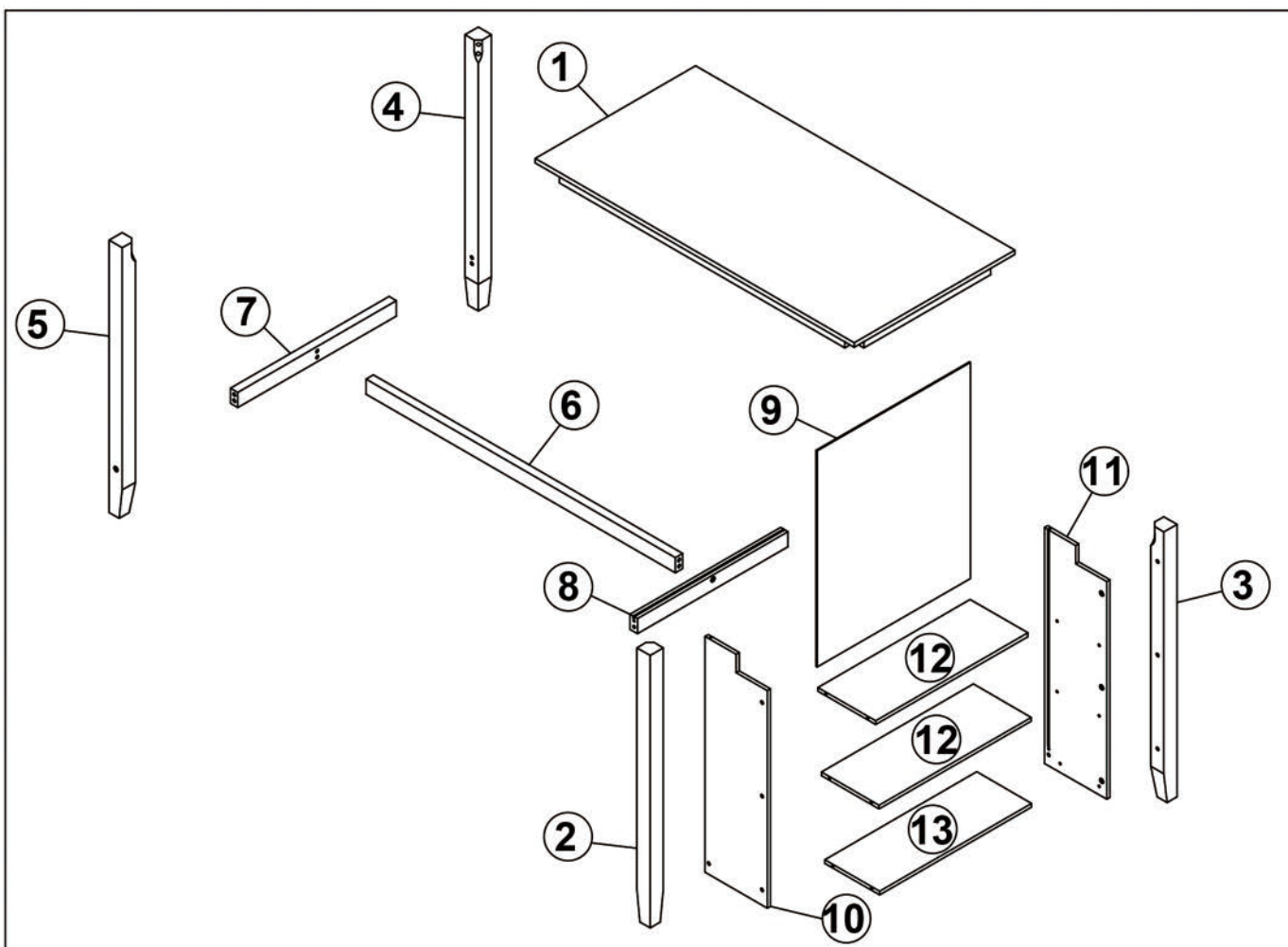
ASSEMBLY INSTRUCTIONS

DINING TABLE




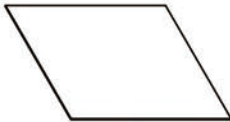











IMPORTANT NOTE :

- 1 PLACE ALL PARTS ON A CLEAN AND SMOOTH SURFACE SUCH AS A RUG OR CARPET TO AVOID THE PARTS FROM BEING SCRATCHED.**
- 2 BEFORE YOU BEGIN , KINDLY FOLLOW THE ASSEMBLY INSTRUCTIONS STEP BY STEP.**
- 3 DO NOT TIGHTEN ALL SCREWS AND BOLTS UNTIL THE TABLE IS FULLY SET-UP**













PART LIST

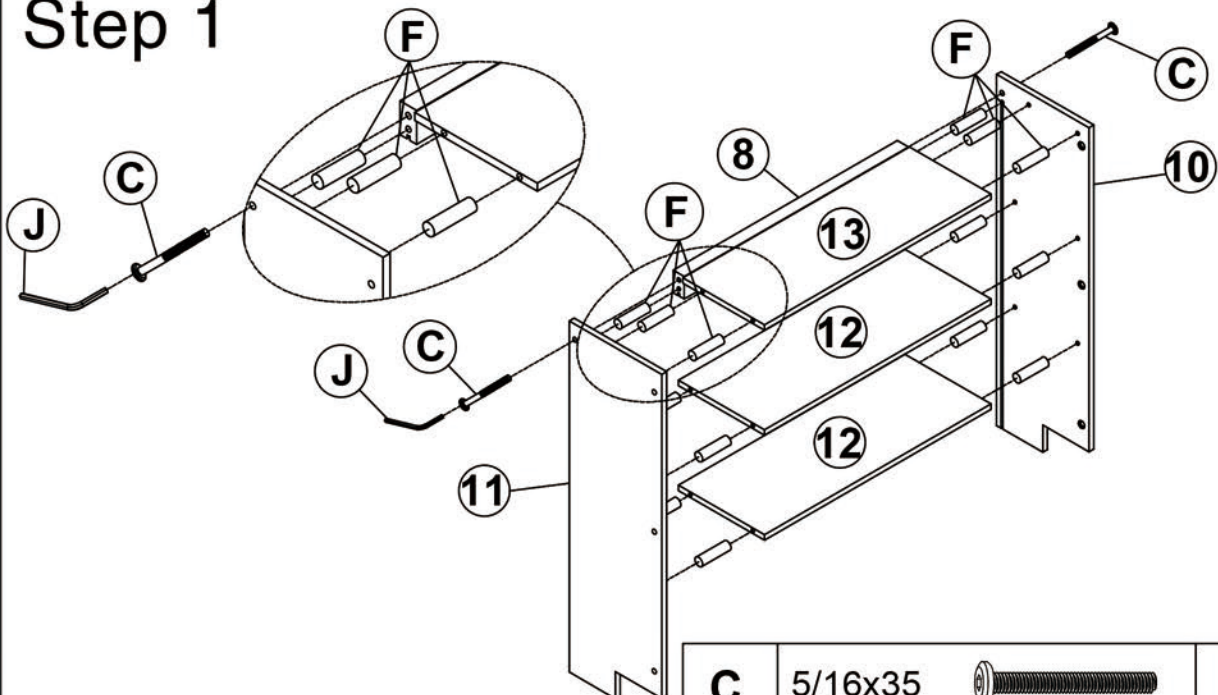
<p>①</p>  <p>TOP TABLE (1pc)</p>	<p>⑧</p>  <p>STRETCHER (1pc)</p>
<p>②</p>  <p>LEG TABLE (1pc)</p>	<p>⑨</p>  <p>FRAME BOARD (1pc)</p>
<p>③</p>  <p>LEG TABLE (1pc)</p>	<p>⑩</p>  <p>SIDE PANEL (1pc)</p>
<p>④</p>  <p>LEG TABLE (1pc)</p>	<p>⑪</p>  <p>SIDE PANEL (1pc)</p>
<p>⑤</p>  <p>LEG TABLE (1pc)</p>	<p>⑫</p>  <p>SHELF PANEL (2pcs)</p>
<p>⑥</p>  <p>STRETCHER (1pc)</p>	<p>⑬</p>  <p>SHELF PANEL (1pc)</p>
<p>⑦</p>  <p>STRETCHER (1pc)</p>	




ASSEMBLY INSTRUCTIONS

HARDWARE LIST

A	 Ø5/16" x 70mm BOLT (10pcs)	F	 Ø8" x 30mm WOODEN PEGS (18pcs)
B	 Ø5/16" x 50mm BOLT (2pcs)	G	 Ø4" x 15mm SCREW (12pcs)
C	 Ø5/16" x 35mm BOLT (8pcs)	H	 15 x 15 x 2mm IRON BOWL (6pcs)
D	 Ø5/16" x 13mm SPRING WASHER (8pcs)	J	 4mm ALLENKEY (1pc)
E	 Ø5/16" x 19mm FLAT WASHER (8pcs)	 ASSEMBLY TOOLS REQUIRED (NOT INCLUDED)	

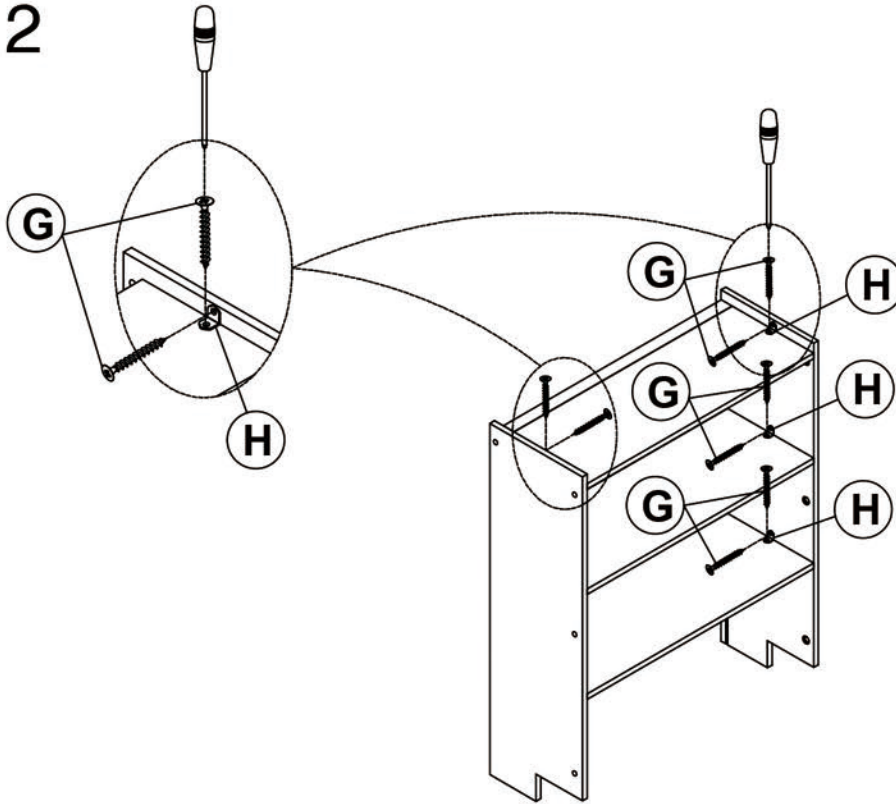
Step 1



C	5/16x35		2PCS
J	4x58		1PC
F	Ø8x30		14PCS

ASSEMBLY INSTRUCTIONS

Step 2



H 15x15x2



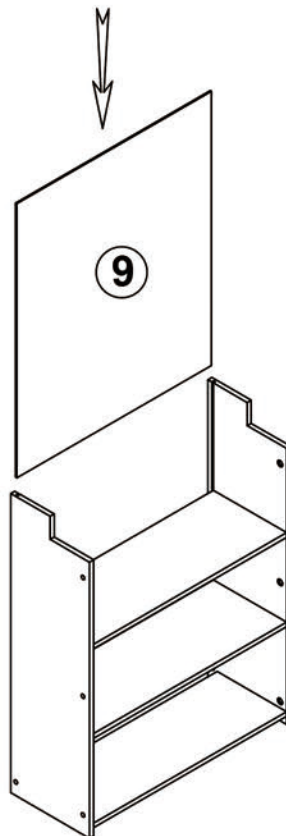
6PCS

G Ø4x15



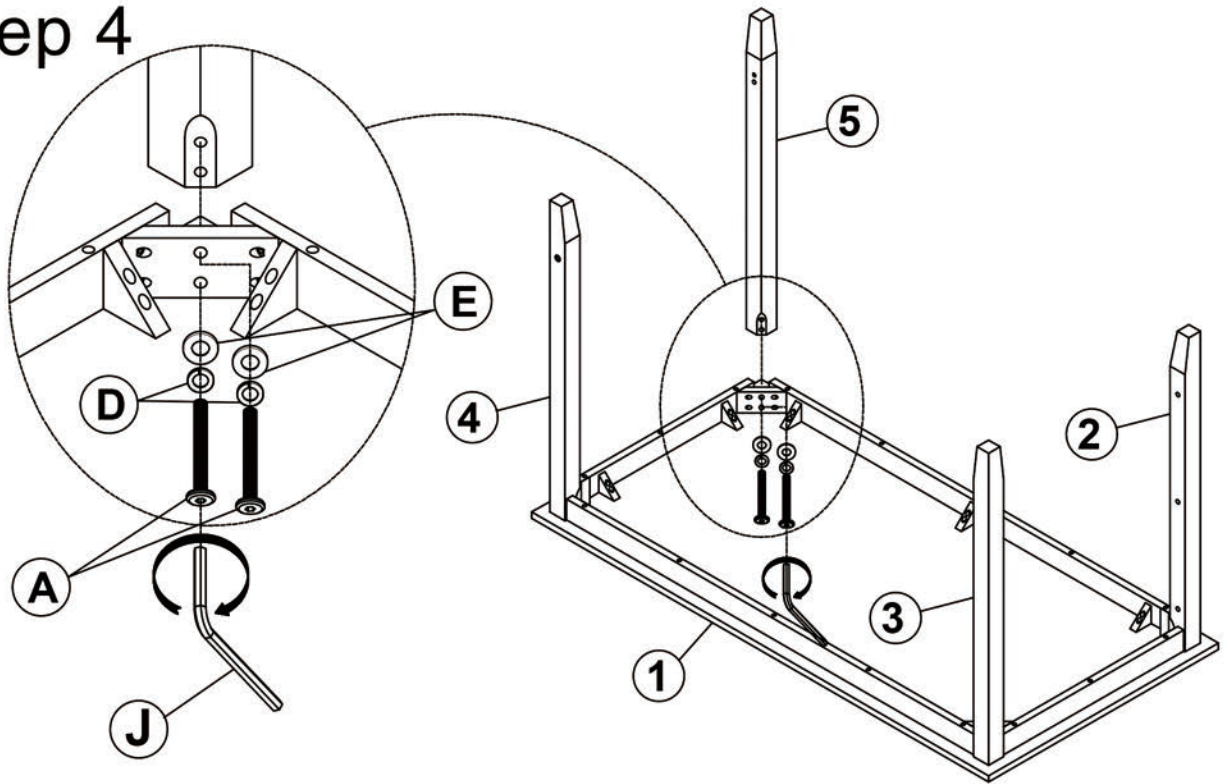
12PCS





Step 3



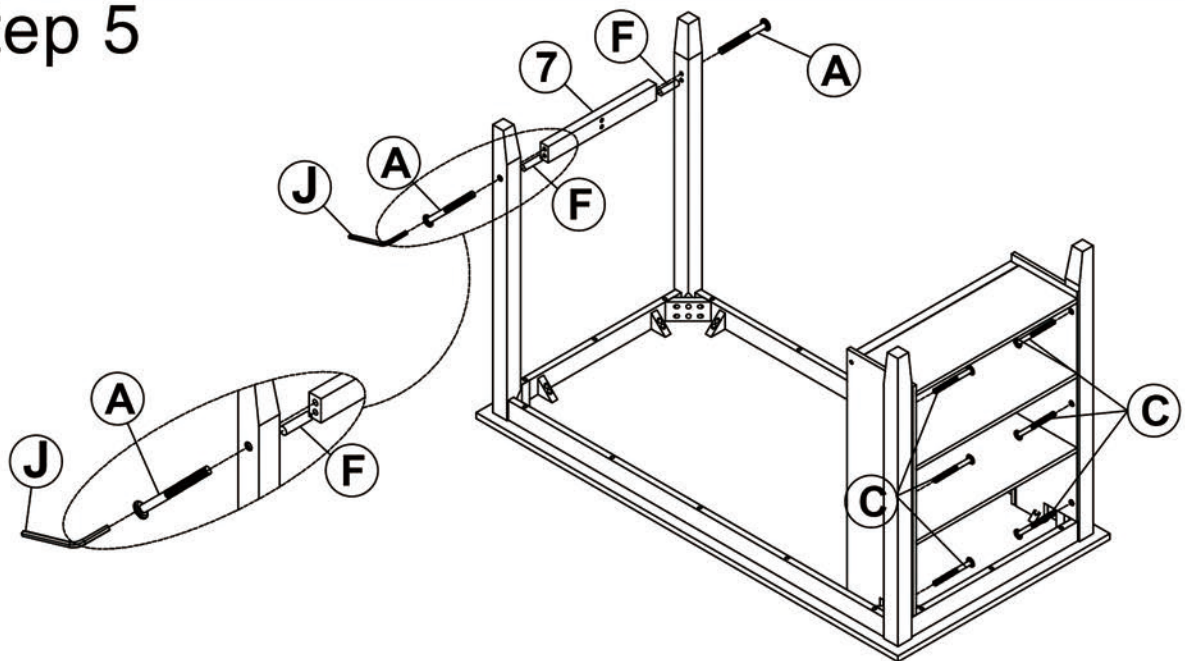
ASSEMBLY INSTRUCTIONS





Step 4



D	5/16x13		8PCS	A	5/16x70		8PCS
E	5/16x19		8PCS	J	4x58		1PC

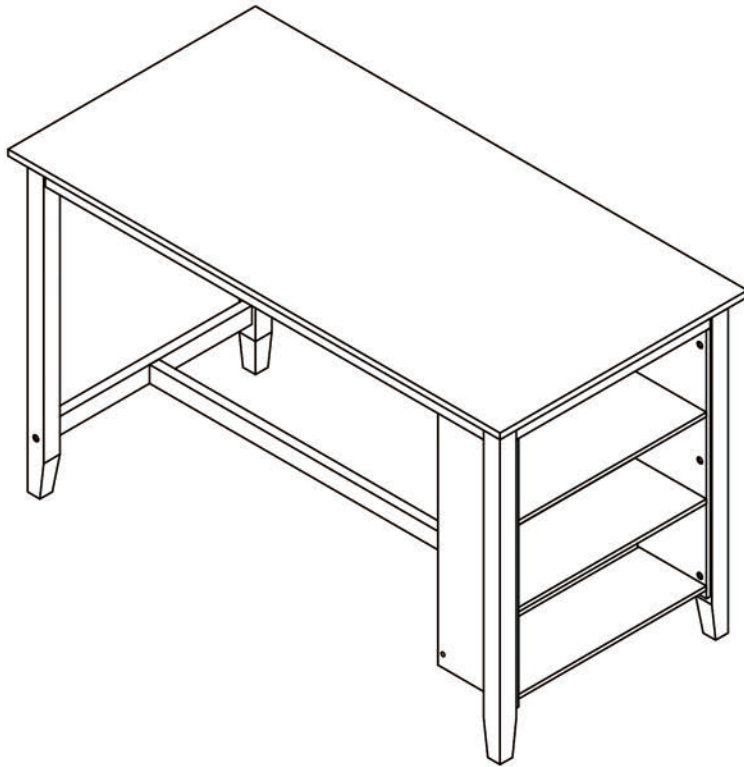
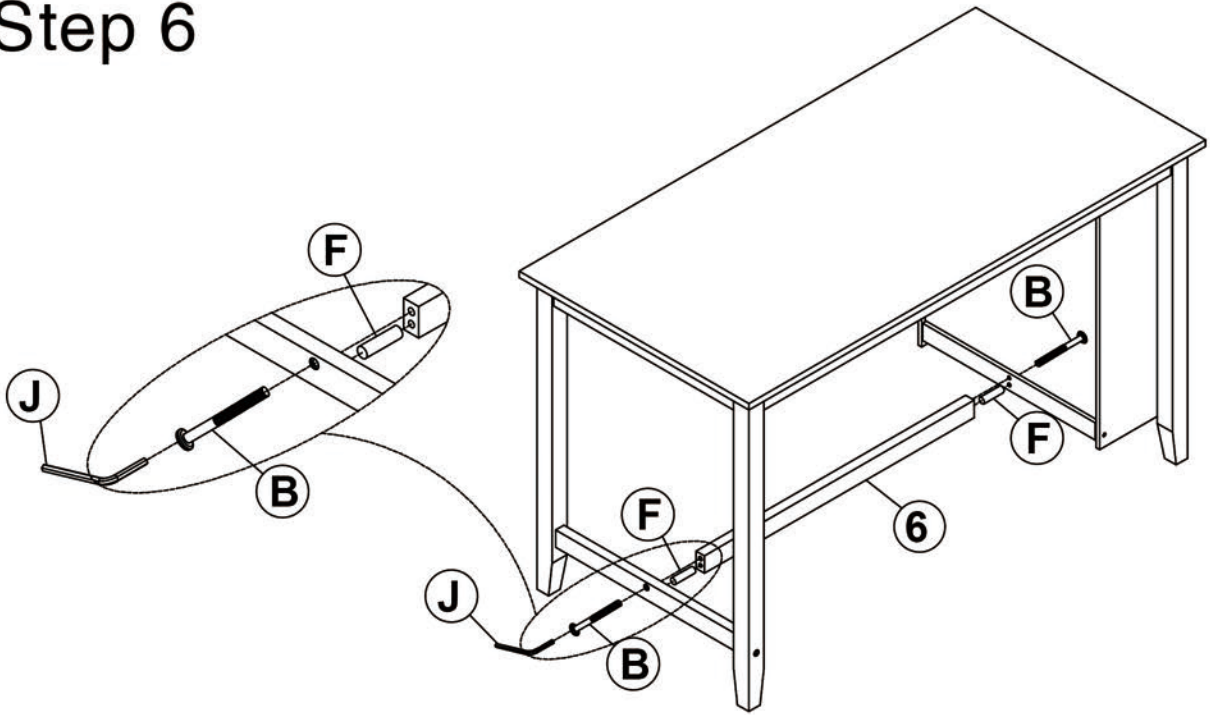
Step 5






C	5/16x35		6PCS	A	5/16x70		2PCS
F	Ø8x30		2PCS	J	4x58		1PC

ASSEMBLY INSTRUCTIONS

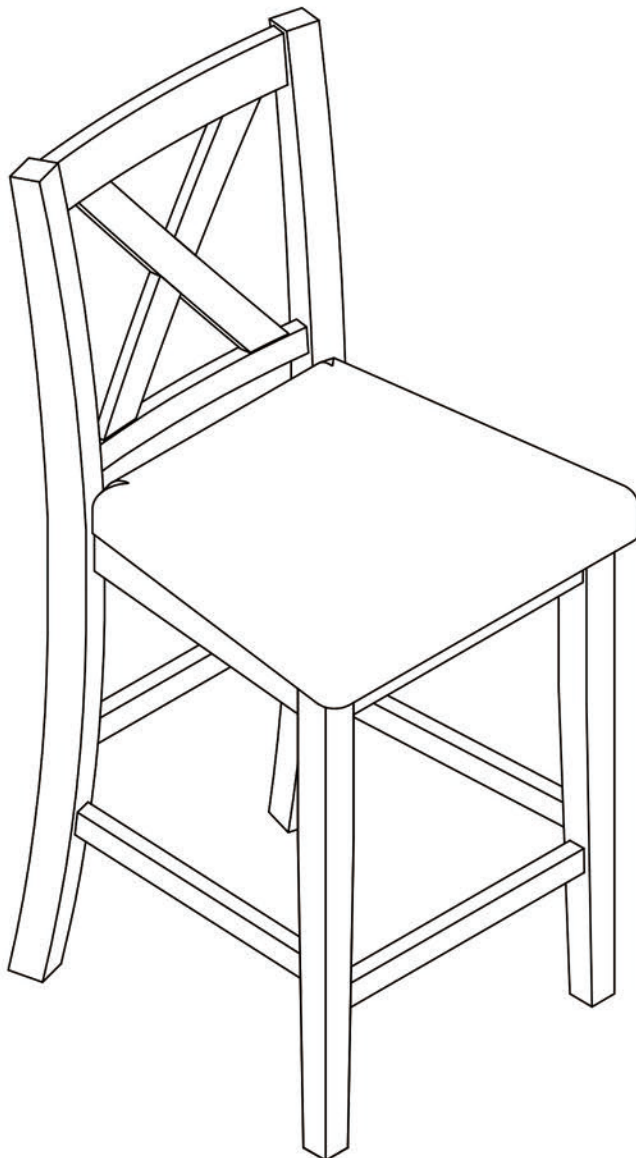
Step 6



F	Ø8x30		2PCS	B	5/16x50		2PCS
				J	4x58		1PC

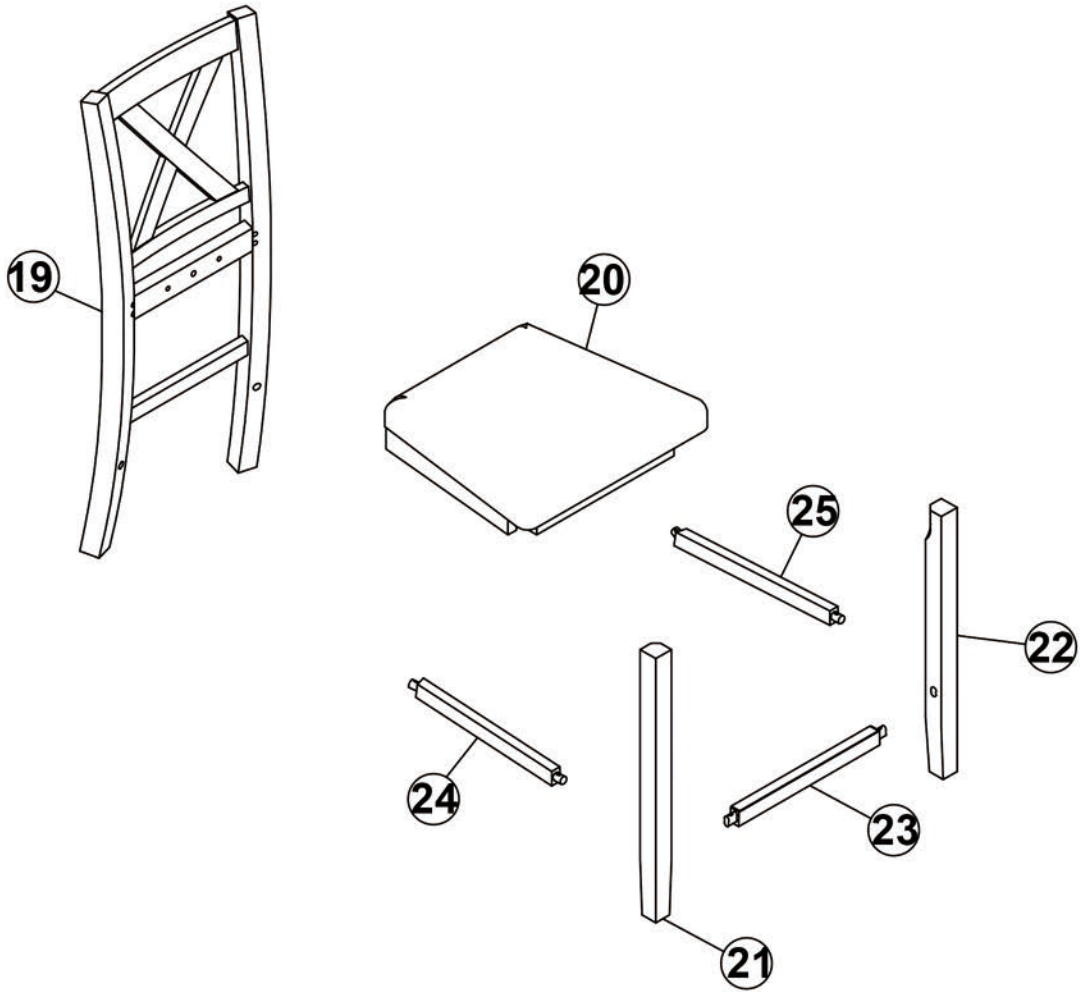
ASSEMBLY INSTRUCTIONS

DINING CHAIRS

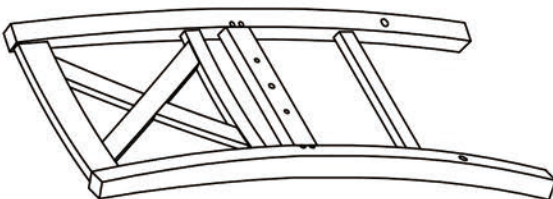

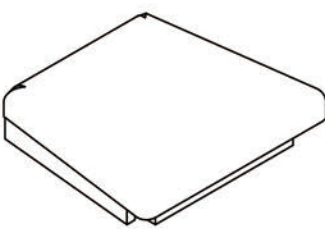






IMPORTANT NOTE :

- 1 PLACE ALL PARTS ON A CLEAN AND SMOOTH SURFACE SUCH AS A RUG OR CARPET TO AVOID THE PARTS FROM BEING SCRATCHED.**
- 2 BEFORE YOU BEGIN , KINDLY FOLLOW THE ASSEMBLY INSTRUCTIONS STEP BY STEP.**
- 3 DO NOT TIGHTEN ALL SCREWS AND BOLTS UNTIL THE CHAIR IS FULLY SET-UP**











Part List For One Chair

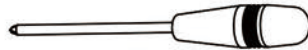
<p>19</p>  <p>BACK FRAME (1pc)</p>	<p>21</p>  <p>LEG CHAIR (1pc)</p>
<p>20</p>  <p>SEAT FRAME (1pc)</p>	<p>22</p>  <p>LEG CHAIR (1pc)</p> <p>23</p>  <p>STRETCHER (1pc)</p> <p>24</p>  <p>STRETCHER (1pc)</p> <p>25</p>  <p>STRETCHER (1pc)</p>

ASSEMBLY INSTRUCTIONS

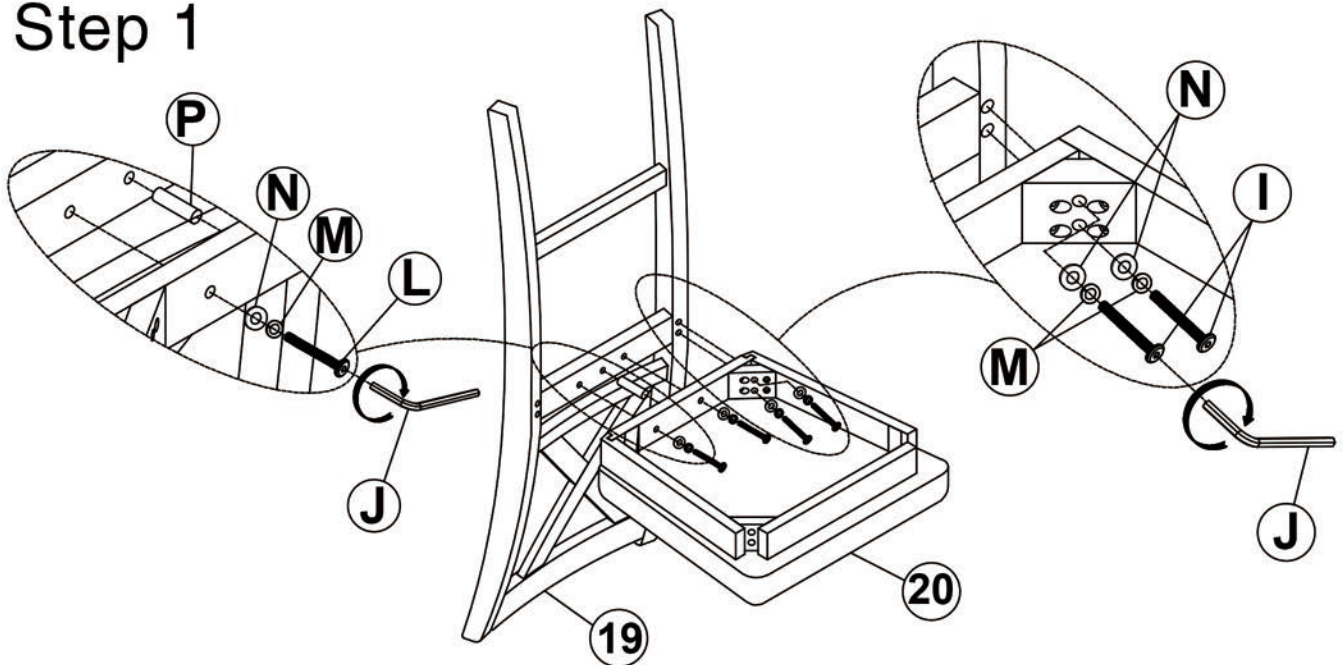
Hardware List For One Chair







I	 Ø1/4" x 75mm BOLT (4pcs)	N	 Ø1/4" x 19mm FLAT WASHER (10pcs)
K	 Ø1/4" x 55mm BOLT (4pcs)	O	 Ø4" x 38mm SCREW (6pcs)
L	 Ø1/4" x 35mm BOLT (2pcs)	P	 Ø10" x 30mm WOODEN PEGS (1pc)
M	 Ø1/4" x 13mm SPRING WASHER (10pcs)	J	 4mm ALLENKEY (1pc)

ASSEMBLY TOOLS REQUIRED (NOT INCLUDED)



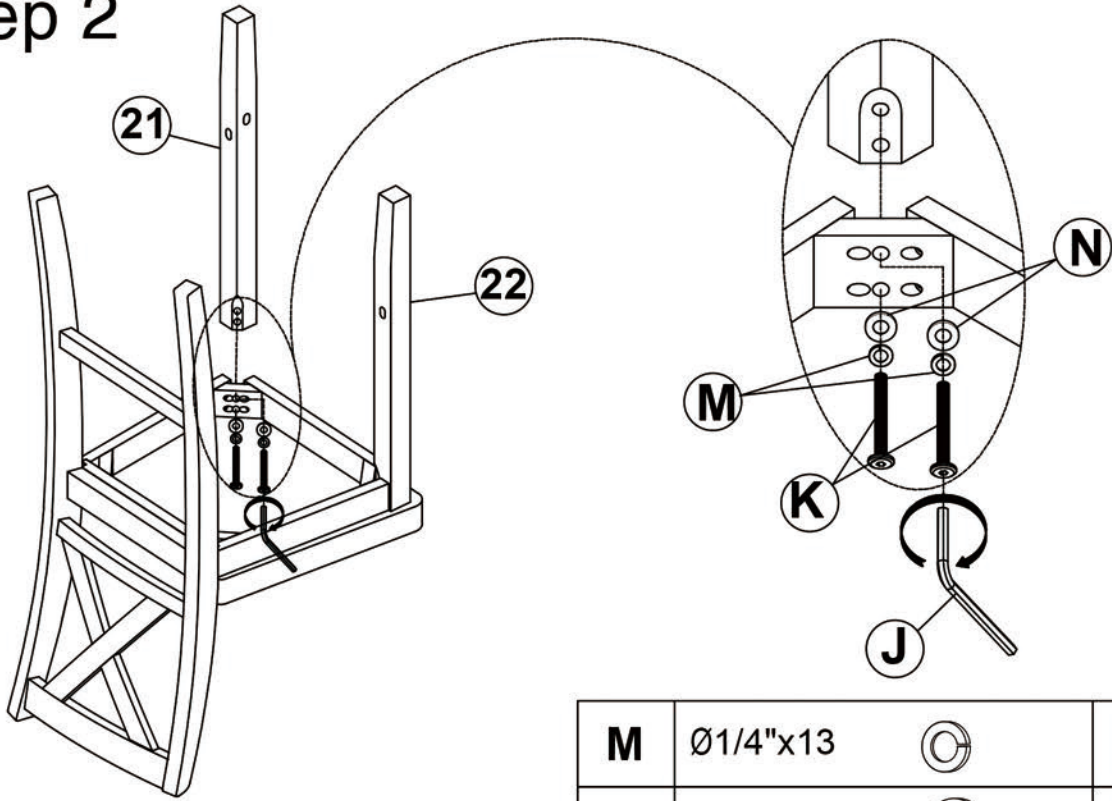
Step 1







P	Ø10x30		1PC	M	1/4"x13		6PCS
I	1/4"x75		4PCS	N	1/4"x19		6PCS
L	1/4"x35		2PCS	J	4x58		1PC

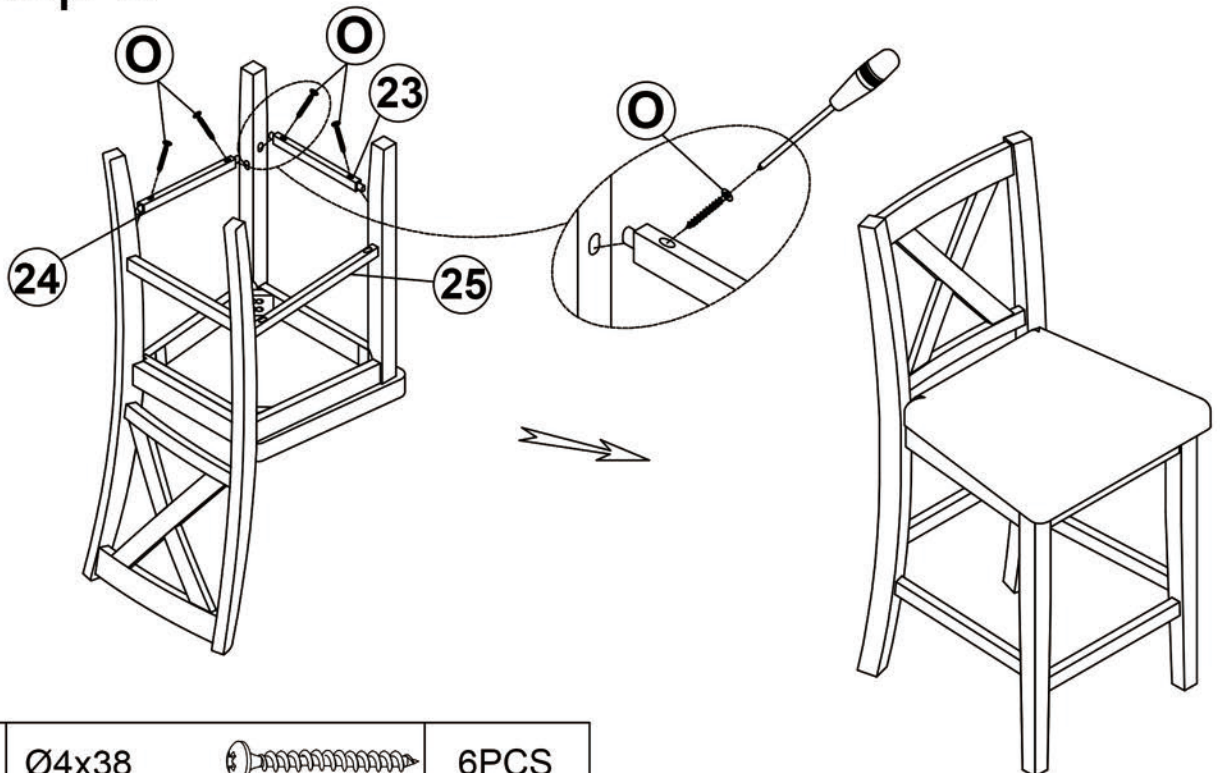
ASSEMBLY INSTRUCTIONS

Step 2



M	Ø1/4"x13		4PCS
N	Ø1/4"x19		4PCS
K	1/4x55		4PCS
J	4x58		1PC

Step 3



O	Ø4x38		6PCS
----------	-------	---	------