

WOOD BACK NON SWIVEL COUNTER STOOL

FOG/SEA WHITE







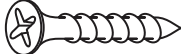

Examine all packaging material for small parts that may have come loose during shipment. Periodic checks are recommended to insure that all components are in proper position, tight and free from damage. Keep this assembly instruction for future reference. Adult assembly is required. This product is designed for residential use only.

HARDWARE LIST

- A (4) M6 x 80mm Bolts
- B (2) M6 x 40mm Bolts
- C (4) M6 x 60mm Bolts
- D (10) 1/4" x 12mm Spring Washers
- E (10) 1/4" x 19mm Flat Washers
- F (3) M4 x 32mm Wood Screws
- G (6) M4 x 38mm Wood Screws
- H (1) M4 Allen Wrench

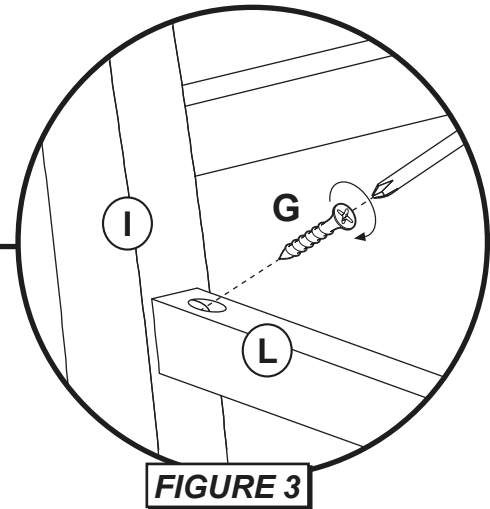
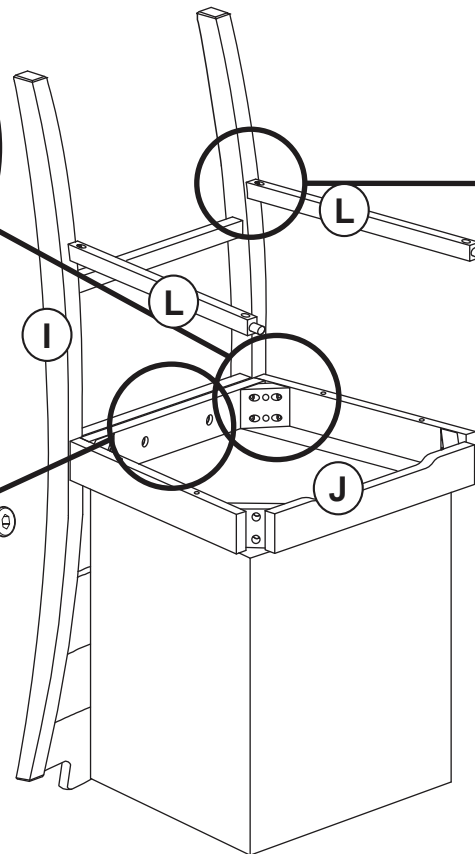
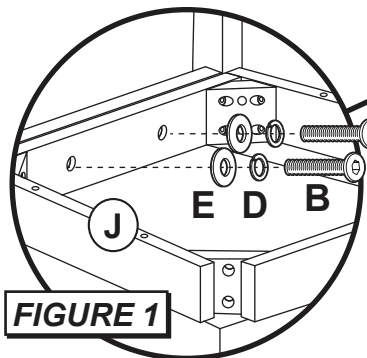
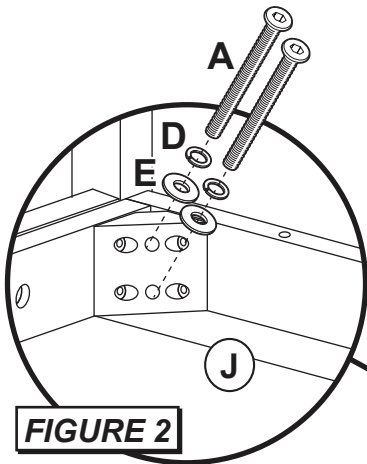
PARTS LIST

- I (1) Chair Back
- J (1) Seat Frame
- K (2) Front Legs (L & R)
- L (2) Side Stretchers (L & R)
- M (1) Seat Cushion
- N (1) Front Stretcher

PART	QTY	HARDWARE	PART	QTY	HARDWARE
A	4		B	2	
C	4		D	10	
E	10		F	3	
G	6		H	1	

STEP 1 - Figure 1 and 2

Begin assembly by setting Seat Frame (J) down on to a clean smooth surface, such as a table or bench, being far enough off the floor to leave room for the Chair Back (I). Secure Frame (J) to Back (I) using 2 Bolts (B), 2 Spring Washers (D) and 2 Flat Washers (E) from the center and 2 Bolts (A), 2 Spring Washers (D) and 2 Flat Washers (E) from the sides. Tighten all bolts with Allen Wrench (H) provided.



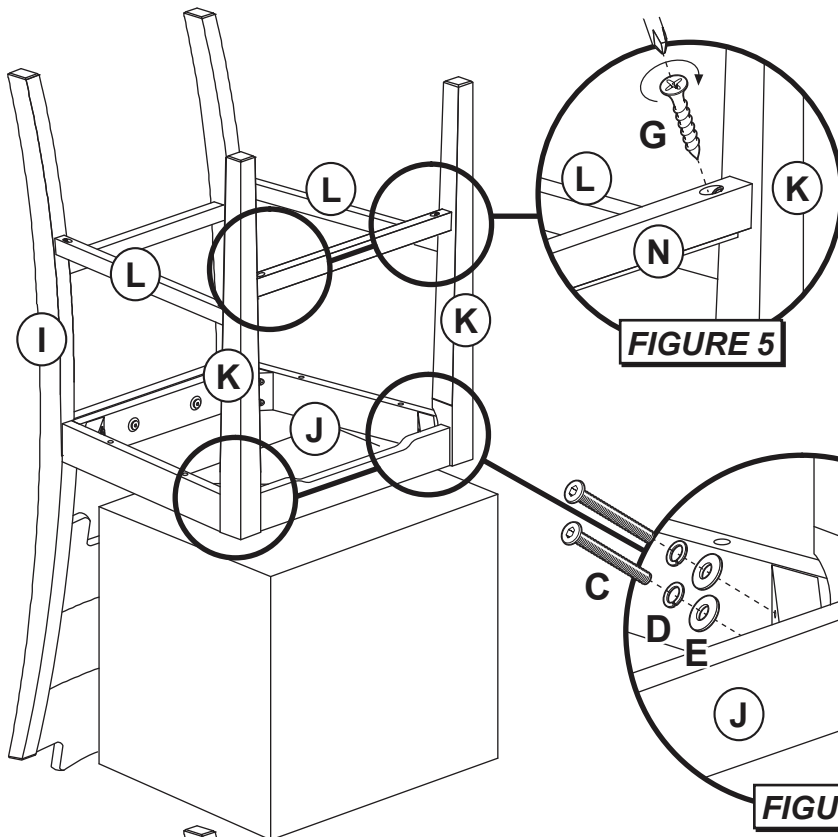
STEP 3 - Figure 3
Attach Side Stretchers (L) to Chair Back (I) using 1 Wood Screw (G) per side.

CARE & MAINTENANCE: The touch of a soft cloth is all the maintenance the finish will ever need. Please do not use harsh or abrasive cleaners for polishing, as they may cause damage to the finish. Periodic checks are recommended to make sure that all hardware is securely tightened.

WOOD BACK NON SWIVEL COUNTER STOOL

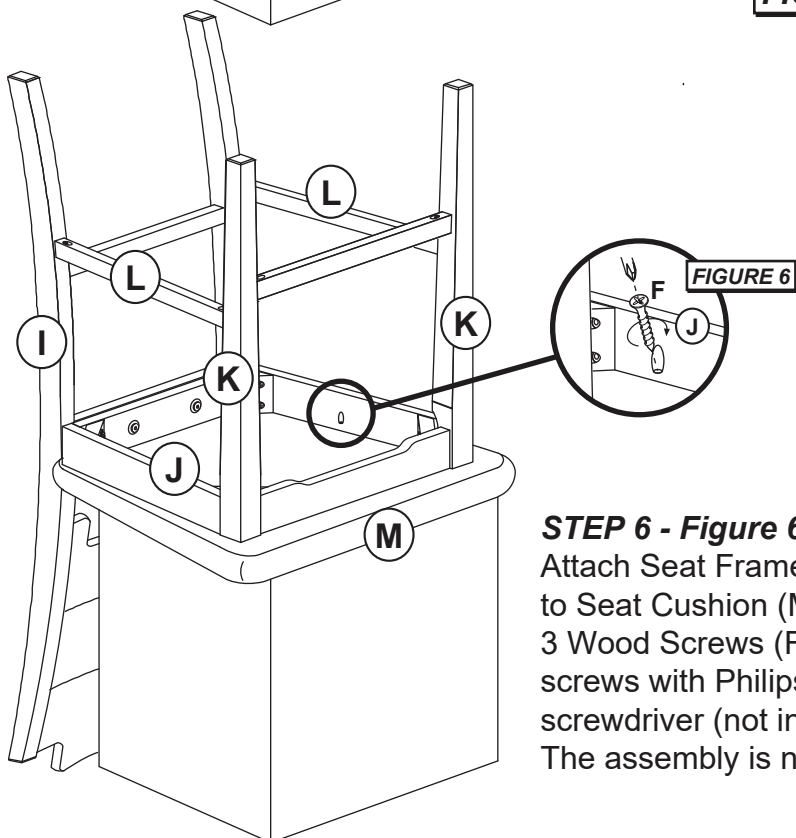
FOG/SEA WHITE

Page 2 of 2

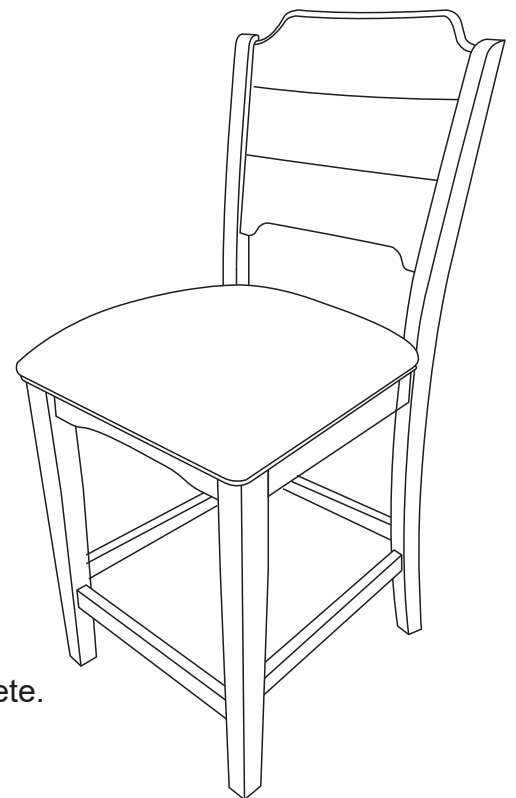


STEP 4 - Figure 4
Attach Front Legs (K) to Seat Frame (J) using 2 Bolts (C), 2 Spring Washers (D) and 2 Flat Washers (E) per side. Do not tighten bolts.

STEP 5 - Figure 5
Insert Front Stretcher (N) & Side Stretchers (L) to the Front Legs (K) and secure from each side with Wood Screw (G). Tighten all screws with Philips head screwdriver (not included) then now only tighten all using Allen Wrench (H) that has been provide



STEP 6 - Figure 6
Attach Seat Frame (J) to Seat Cushion (M) using 3 Wood Screws (F). Tighten screws with Philips head screwdriver (not included). The assembly is now complete.



CARE & MAINTENANCE: The touch of a soft cloth is all the maintenance the finish will ever need. Please do not use harsh or abrasive cleaners for polishing, as they may cause damage to the finish. Periodic checks are recommended to make sure that all hardware is securely tightened.