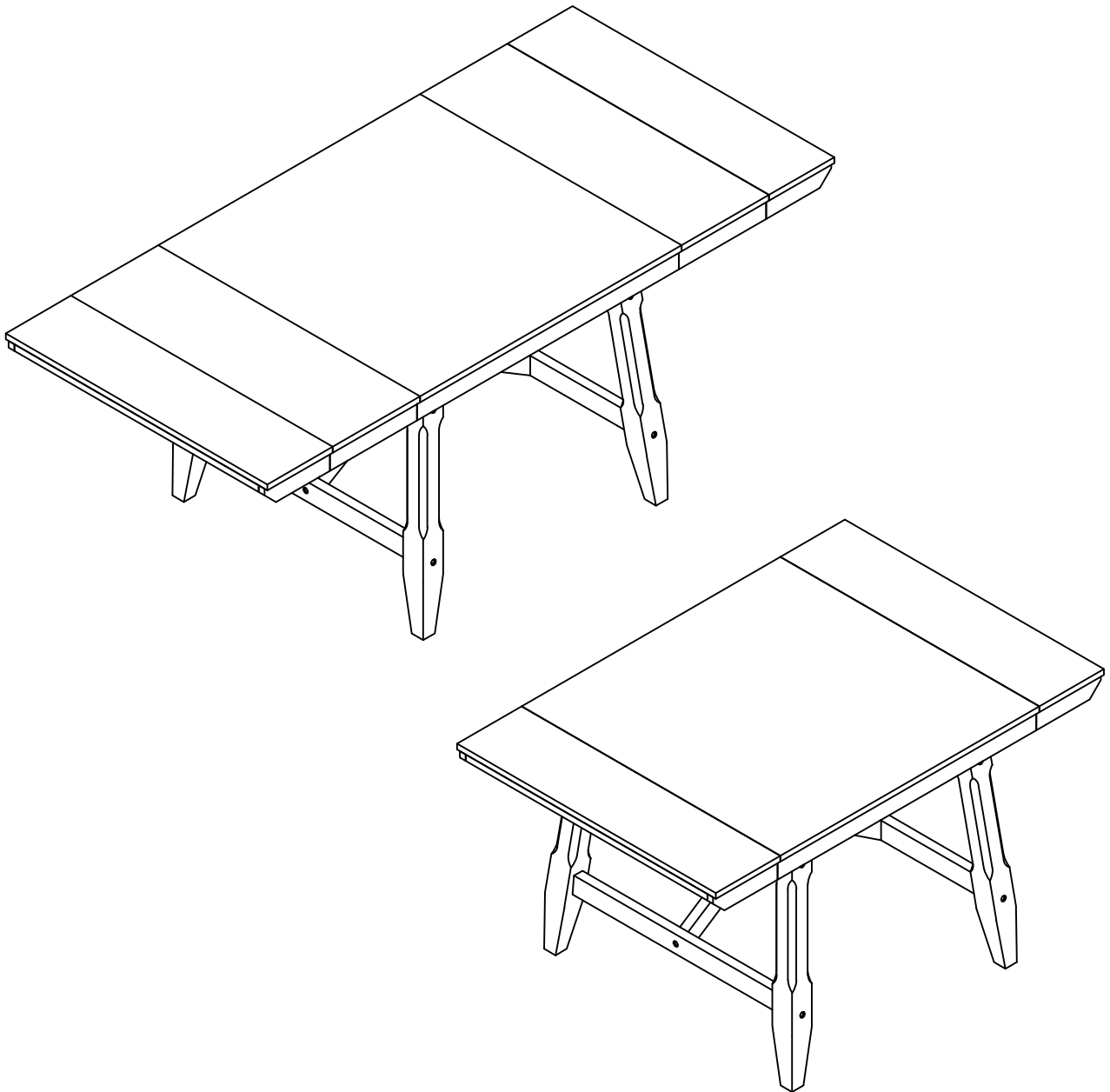


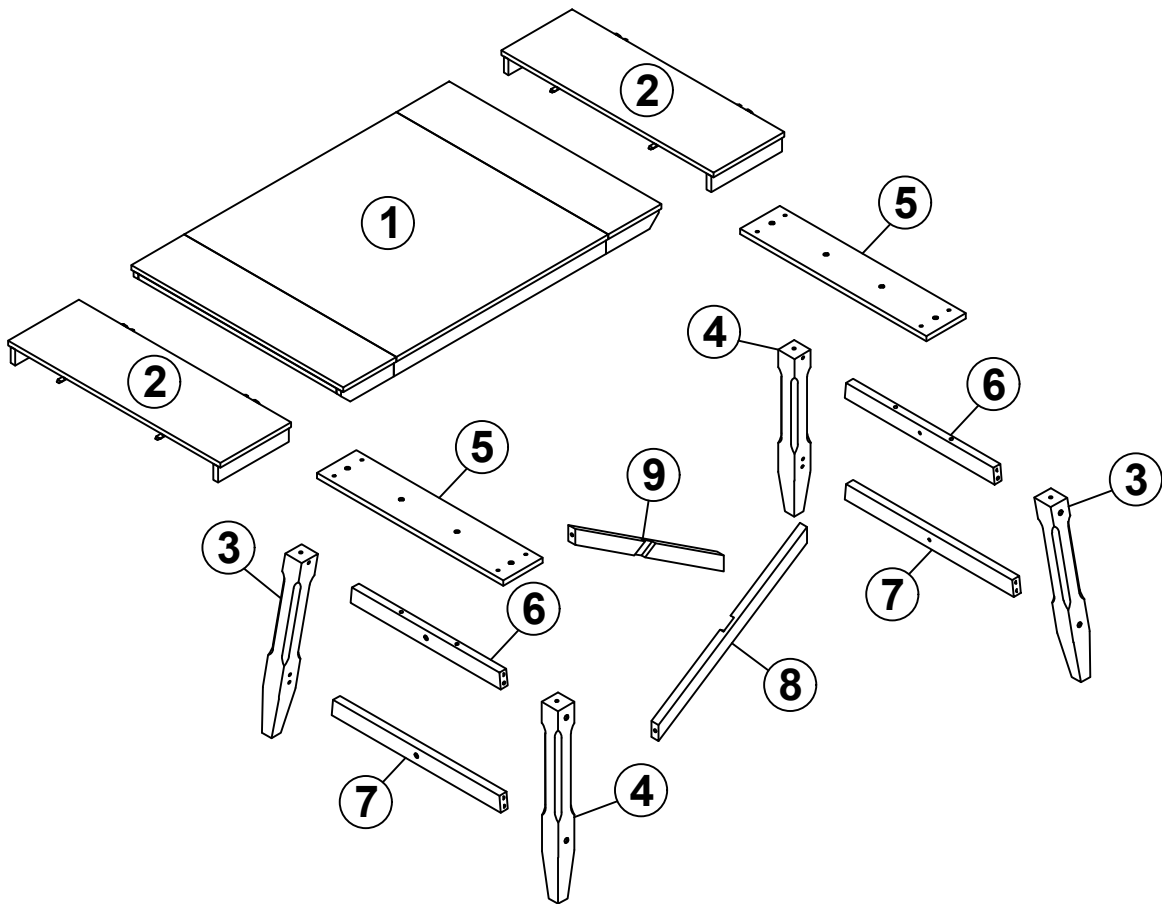
ASSEMBLY INSTRUCTIONS

DINING TABLE

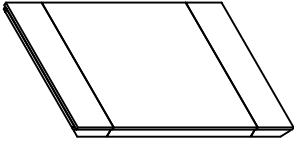
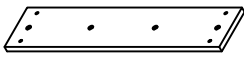
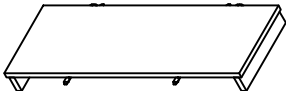
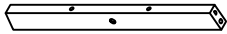

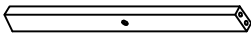
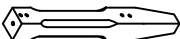




IMPORTANT NOTE :

- ① PLACE ALL PARTS ON A CLEAN AND SMOOTH SURFACE SUCH AS A RUG OR CARPET TO AVOID THE PARTS FROM BEING SCRATCHED.
- ② BEFORE YOU BEGIN , KINDLY FOLLOW THE ASSEMBLY INSTRUCTIONS STEP BY STEP.
- ③ DO NOT TIGHTEN ALL SCREWS AND BOLTS UNTIL THE TABLE IS FULLY SET-UP



PART LIST

<p>①</p>  <p>TOP TABLE (1pc)</p>	<p>⑤</p>  <p>CROSSBAR (2pcs)</p>
<p>②</p>  <p>TOP TABLE (2pcs)</p>	<p>⑥</p>  <p>STRETCHER (2pcs)</p>
<p>③</p>  <p>LEGS TABLE (2pcs)</p>	<p>⑦</p>  <p>STRETCHER (2pcs)</p>
<p>④</p>  <p>LEGS TABLE (2pcs)</p>	<p>⑧</p>  <p>STRETCHER (1pc)</p>
<p>LEGS TABLE (2pcs)</p>	<p>⑨</p>  <p>STRETCHER (1pc)</p>

ASSEMBLY INSTRUCTIONS

HARDWARE LIST

A



Ø5/16" x 90mm

BOLT (8pcs)

C



Ø10" x 40mm

WOODEN PEGS (8pcs)

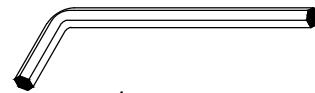
B



Ø5/16" x 40mm

BOLT (20pcs)

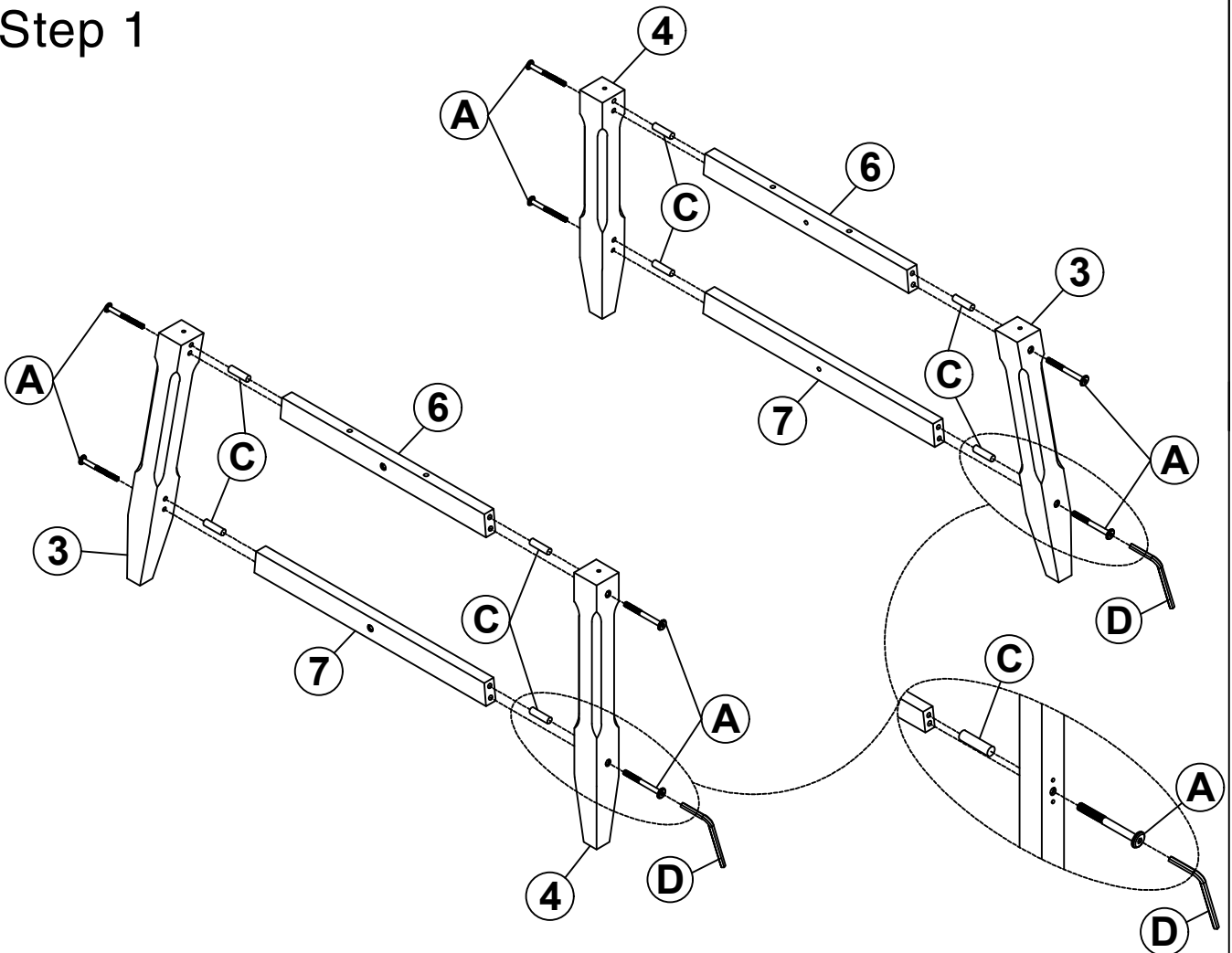
D



4mm

ALLENKEY (1pc)

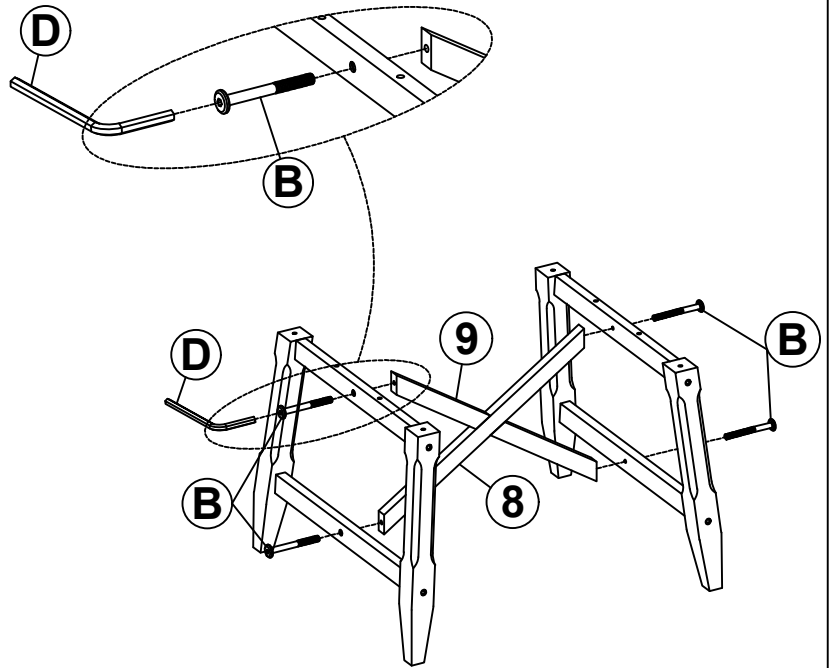
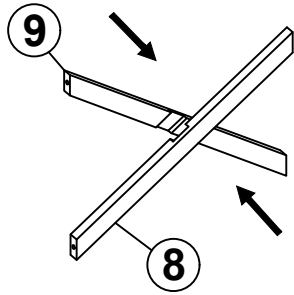
Step 1



C	Ø10x40		8PCS				
D	4x58		1PC	A	5/16x90		8PCS

ASSEMBLY INSTRUCTIONS

Step 2



D

4x58



1PC

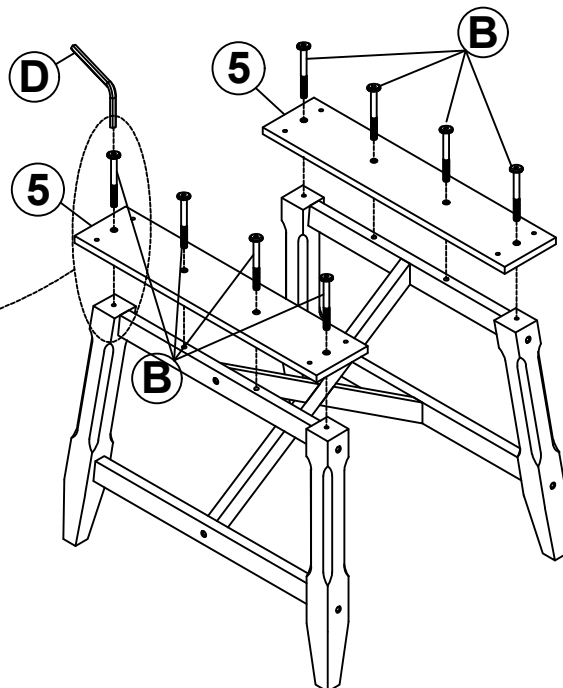
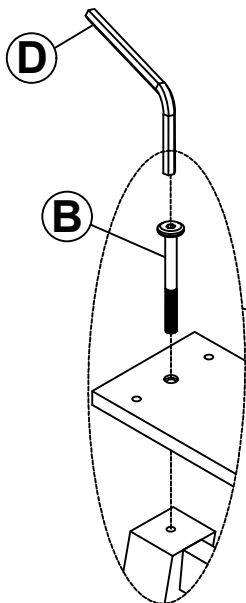
B

5/16x40



4PCS

Step 3



D

4x58



1PC

B

5/16x40

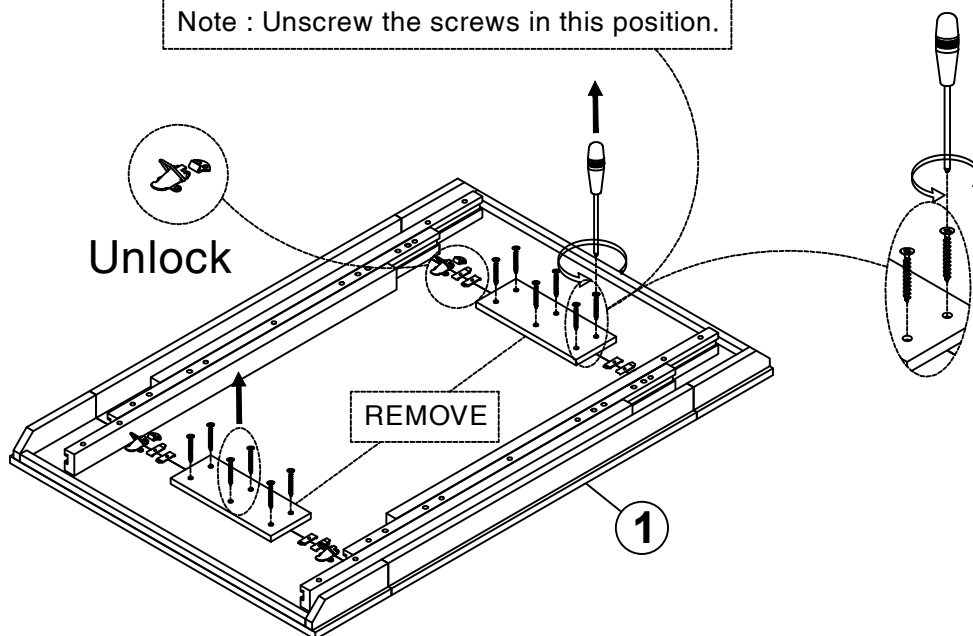


8PCS

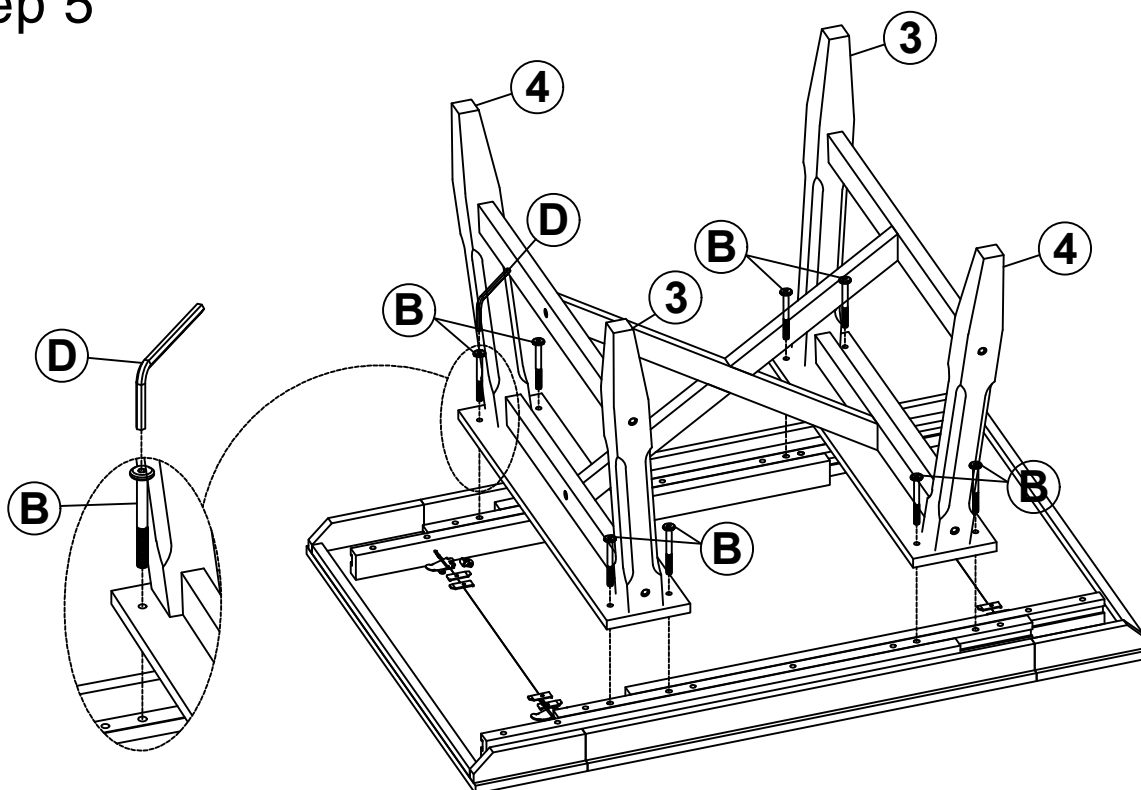
ASSEMBLY INSTRUCTIONS

Step 4

Note : Unscrew the screws in this position.



Step 5



D

4x58



1PC

B

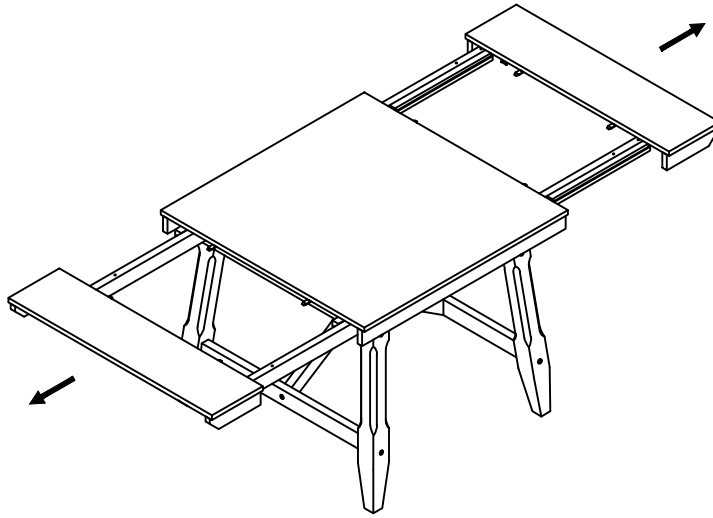
5/16x40



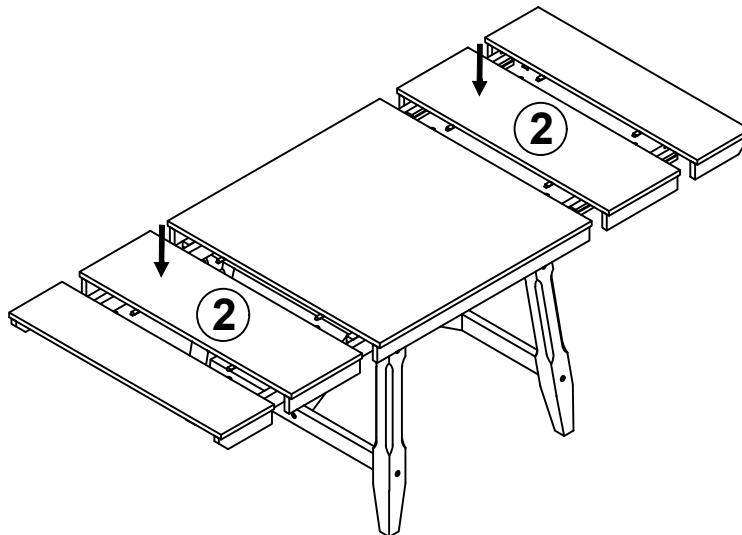
8PCS

ASSEMBLY INSTRUCTIONS

Step 6



Step 7



Step 8

