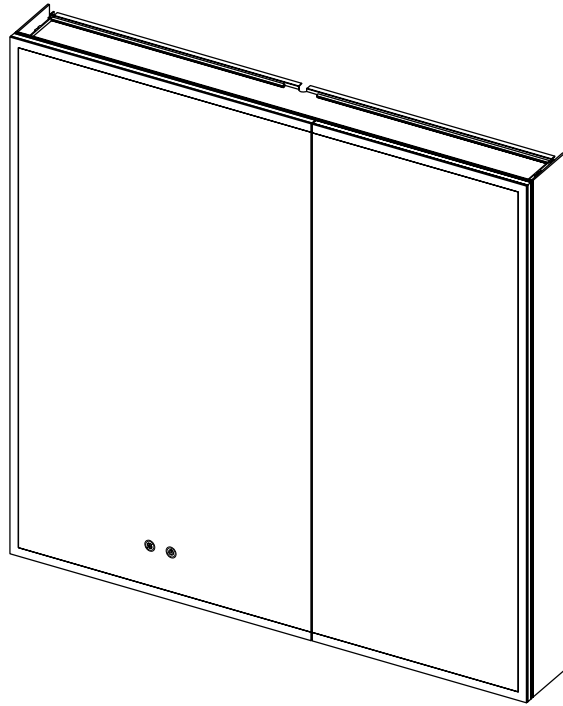


KINGSTON FAUCETURE

LED Mirror Cabinet with Touch Sensor Installation Instructions



www.kingstonbrass.com

TOLL-FREE CUSTOMER SERVICE: 1-877-2-KBRASS
TECHNICAL SUPPORT E-mail: service@kingstonbrass.com
12775 Reservoir Street, Chino, CA 91710

CAUTION

Failure to follow all installation directions may cause product to detach from the wall and cause serious injury

DANGER

Hazardous voltage (120v).
Contact may cause electrical shock and injury.
Disconnect power before servicing
This equipment is to be serviced by trained personnel only

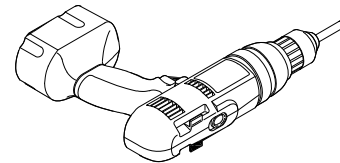
Read Before Installation

Unpack your LED mirror with touch switch and verify that all components are included in the box. The mirror glass is fragile; keep all packing materials in place and rest the mirror on a soft surface. Do not place the mirror on a hard surface.

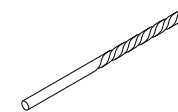
Warning

- It is recommended that this mirror be installed by a qualified, licensed contractor.
- Read and follow all instructions before installing or using this mirror.
- To reduce the risk of burns, fire, electric shock, or injury to persons, use this mirror only for its intended purpose as described in these instructions. Do not use attachments not recommended by the manufacturer. Never drop or insert any object into any opening. Do not use outdoors.
- This mirror is designed to be plugged into a 120VAC, 20 AMP GFCI (Ground Fault Circuit Interrupter) electrical outlet. All electrical work should be performed by a licensed electrical contractor. The power source must be disconnected prior to servicing this mirror.

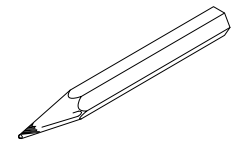
Tools Required for Assembly



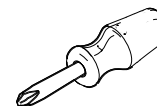
Electrical Drill



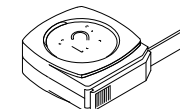
1/8" Drill Bit



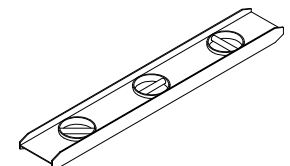
Pencil



Phillips
Screwdriver

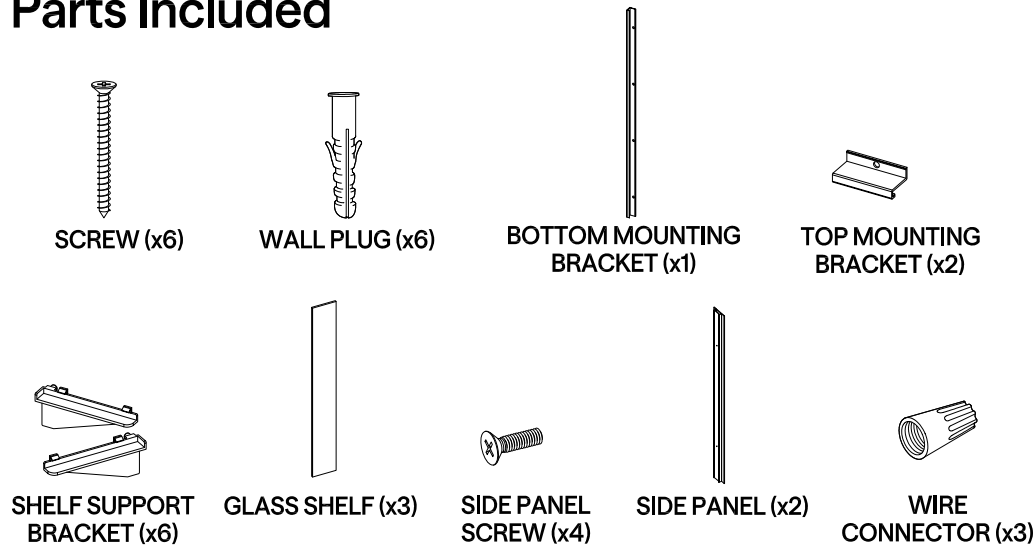


Tape Measure



Level

Parts Included



NOTE: Determine overall mirror dimensions before installation.
Requires two(2) person in installation.

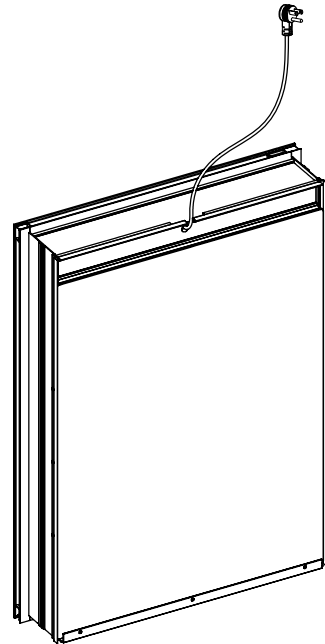
※ Accessories and parts may vary from the picture above. Depends on the product model and size.

MIRROR FEATURES

- Copper free silver mirror
- High output LED lighting:
CRI 90+, 2700-6500K CCT, IP44
- Color Temperature changing touch switch for surface LED
- Defogger
- With 5x magnification

Electric wiring

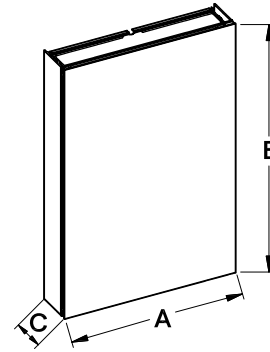
Be sure to provide enough wire to make the proper and safe connection to the Field/Power.



2.

Dimensions

Model Number \ Item	A	B	C	Rough in size
MR3013630	36"	30"	4-5/8"	35-1/4" x 29-1/4" x 3-3/4"
MR3013636	36"	36"	4-5/8"	35-1/4" x 35-1/4" x 3-3/4"



A- Cabinet Width
B- Cabinet Height
C- Cabinet Depth

NOTE: Please use rough in size for recess mounting installation(wall cut-out). All dimensions and specifications are nominal and may vary. Use actual products for accuracy in critical situations.

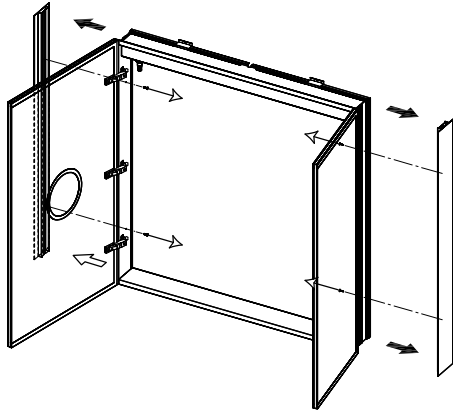
NOTE: All rough-in dimensions for reference only!


3.

Prior To Mounting

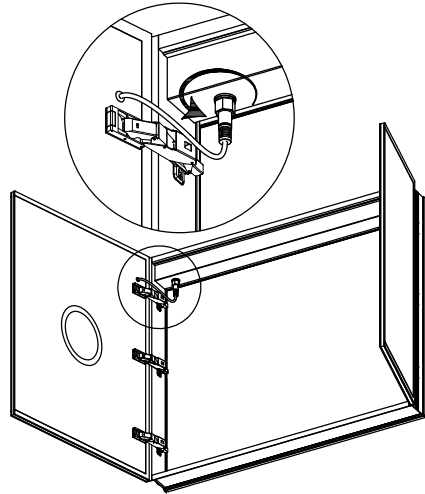
Remove the Doors prior to mounting your cabinets

1 Carefully remove side panels for recessed mount installation.

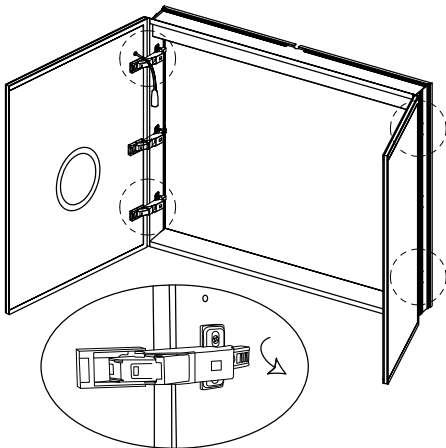


 For recess mount only!

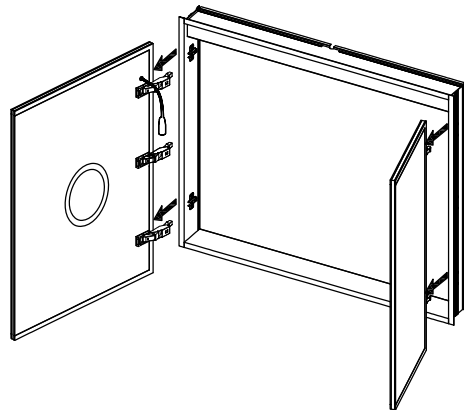
2 Remove doors prior to mounting your cabinet. Start with unplugging the door from the cabinet.



3 While supporting the door release (the lever under the hinge arm), slide the door off the frame.



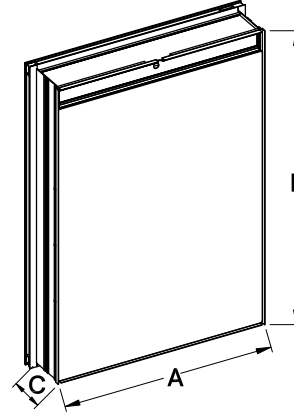
4 Take off the doors carefully and lay them down on a safe area.



4.

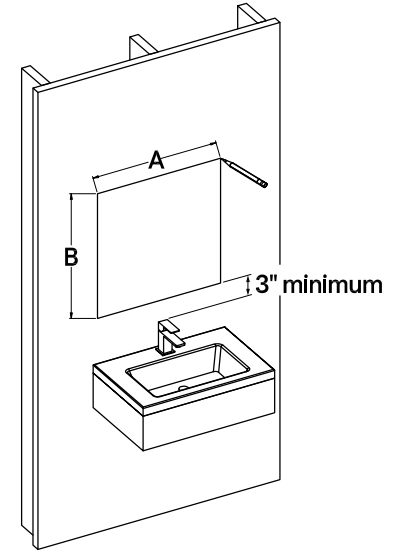
Recessed Installation

1 Refer to "dimensions" on page 3 to measure Rough in size.

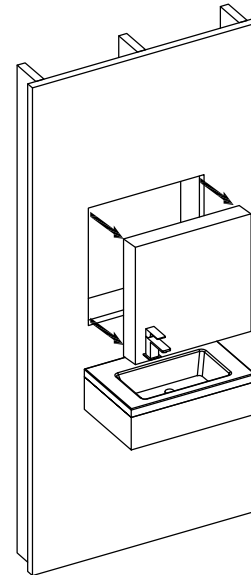


NOTE: To recess mount, the wall cavity must be framed and the cabinet secured to framing studs. Reroute electrical or water supply lines away from the cavity. Consult a professional if drain or vent piping is encountered, or if the wall is load-bearing.


2 Draw the perimeter of the cabinet on the wall.

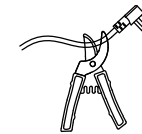


3 Cut the hole as marked dimension with suitable tool.



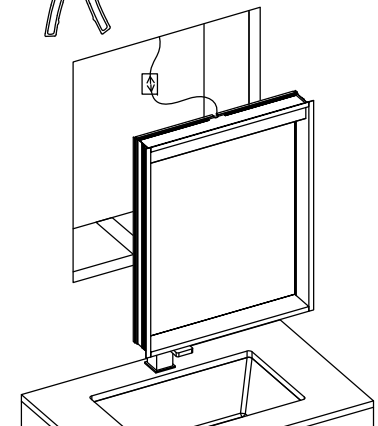
4 First cut off the power plug, then use the wire connector connect to external power supply.

 **WARNING:** Turn off the power before wire connection!



✳ Junction box is not included

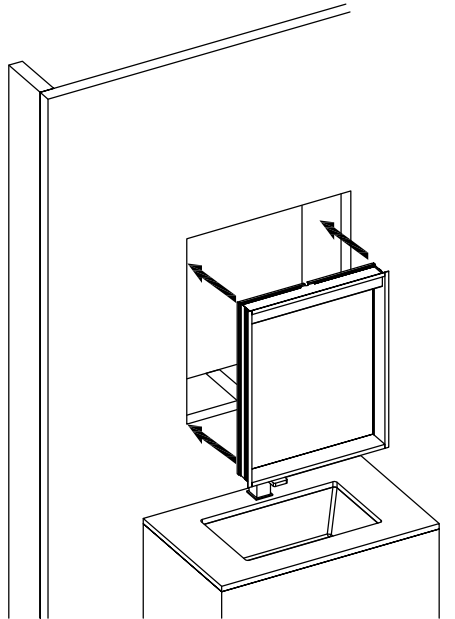
Make connections



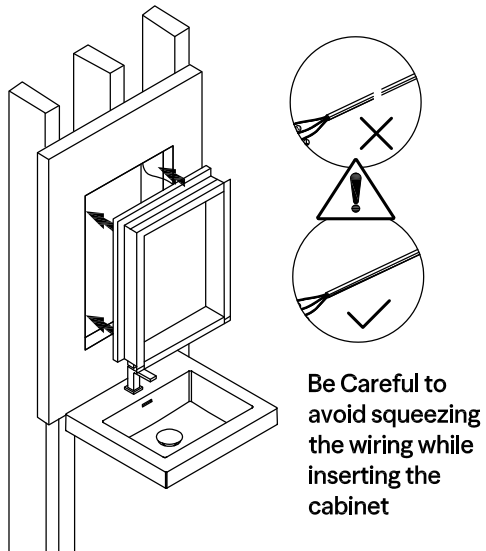
5.

Recessed Installation

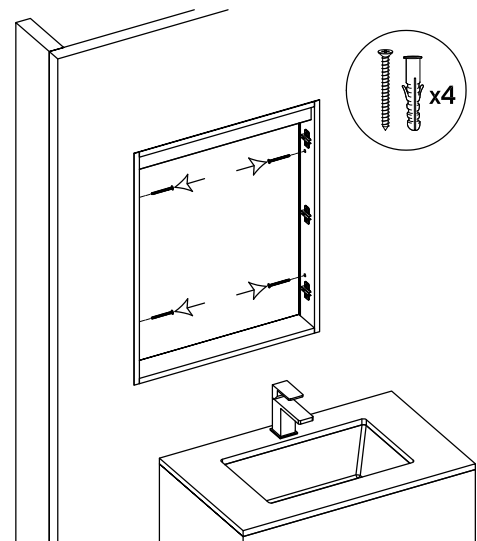
5 Position cabinet in cut out opening.



6 Connect electrical wires and then place the cabinet between the wall studs.

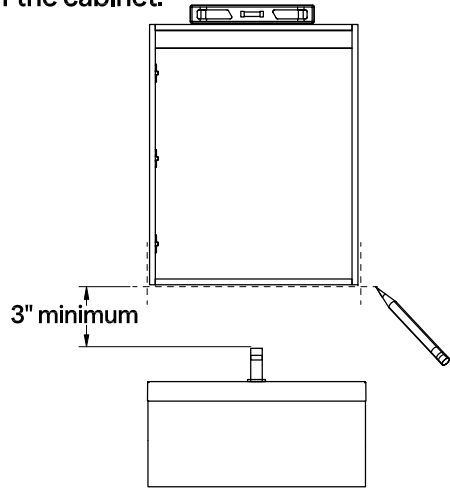


7 Attach using the screws provided, if securing to concrete or brick use the appropriate wall anchors.

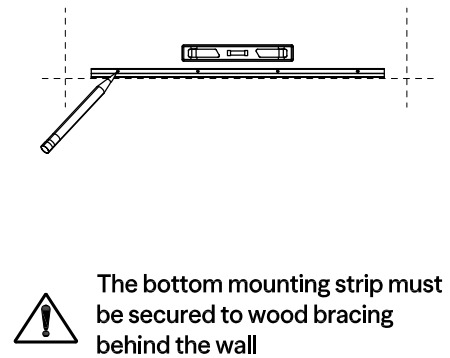


Surface-Mounted Installation

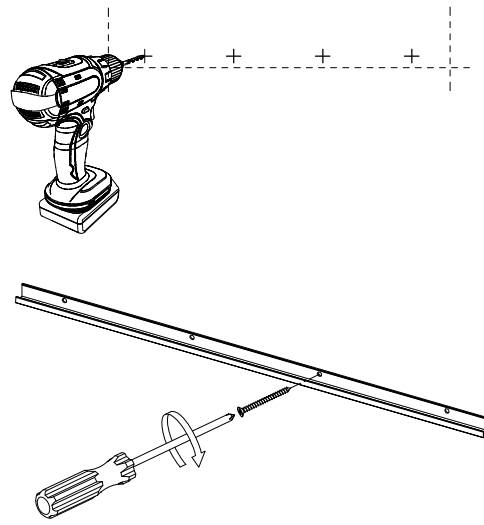
1 Level and mark the cabinet's location on the wall, as well as the location of the top of the cabinet, make sure to install wood bracing at the location of the bottom rail and the top of the cabinet.



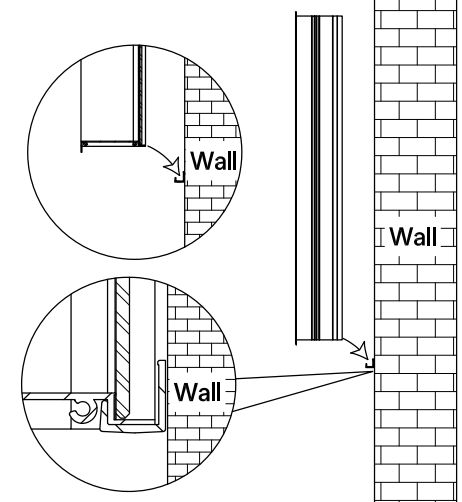
2 Mark the position of the bottom mounting bracket and mark the hole location.



3 Drill the pilot holes at the marked location, and attach the bottom mounting bracket using the screws provided.

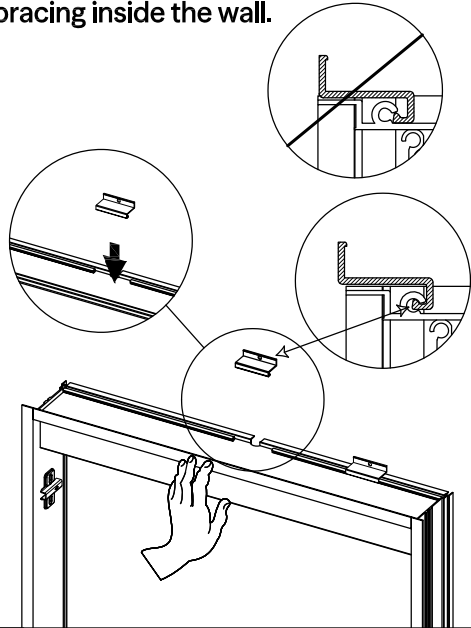


4 With assistance, place the cabinet on top of the mounting bracket, making sure that the cabinet is fully inserted into the bottom bracket's groove.

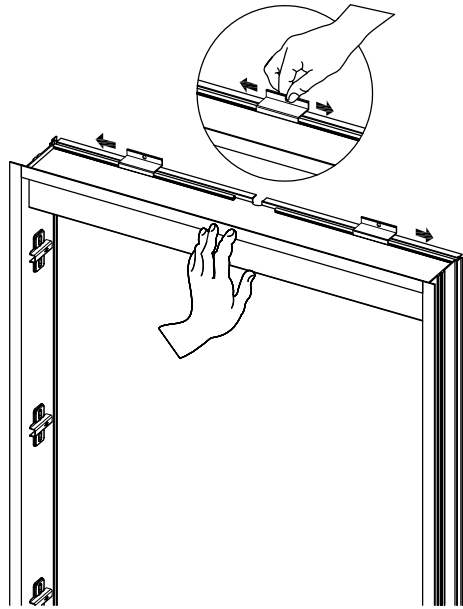


Surface-Mounted Installation

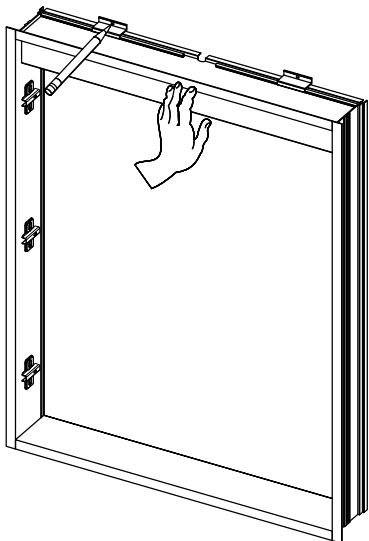
5 Insert top mounting bracket into the top of the cabinet. The two mounting brackets should be secured to wood bracing inside the wall.



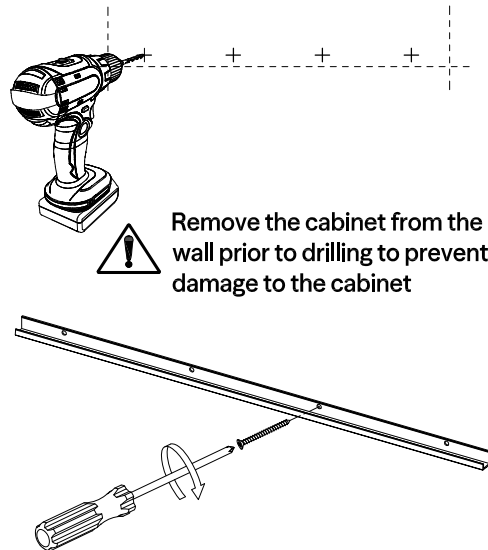
6 Make sure top brackets are locked in the grooves.



7 Adjust the position of Top Mounting Bracket and mark the holes with a pencil

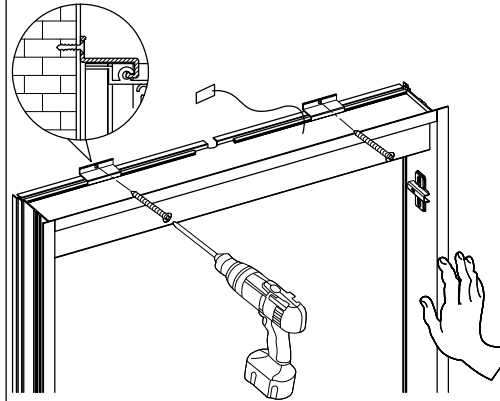


8 Remove the cabinet and drill pilot holes at the marked locations.

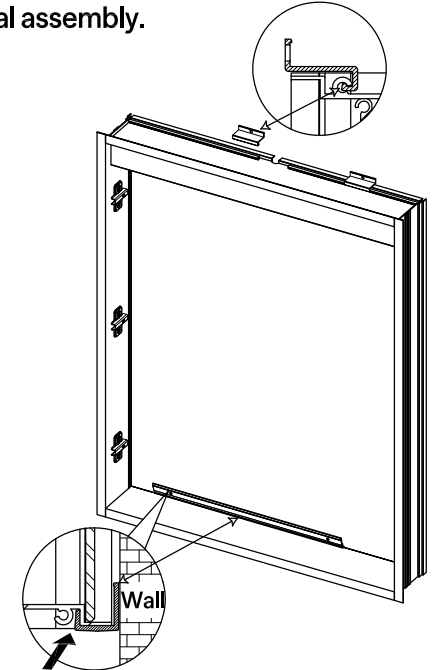


Surface-Mounted Installation

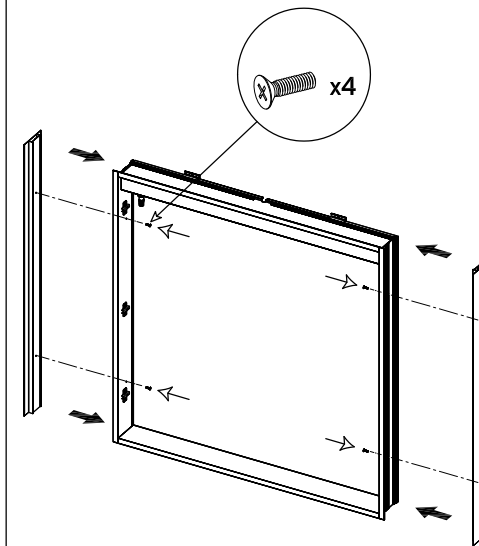
9 Place the cabinet on the bottom mounting bracket, making sure the base of the cabinet is fully inserted in the bottom mounting bracket. Insert the top mounting bracket on the cabinet and secure to the wall with screws.



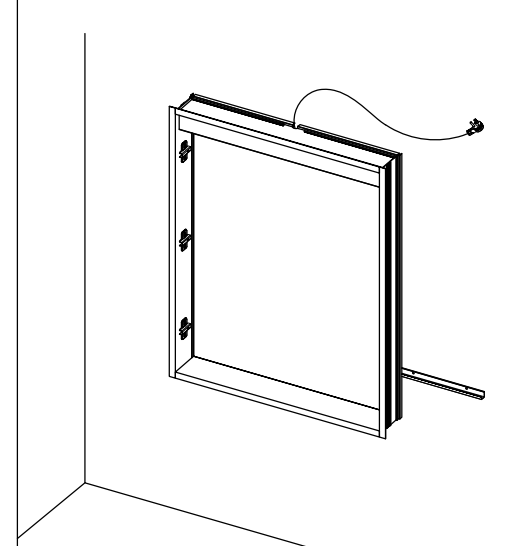
10 Test the fit of the cabinet before Final assembly.



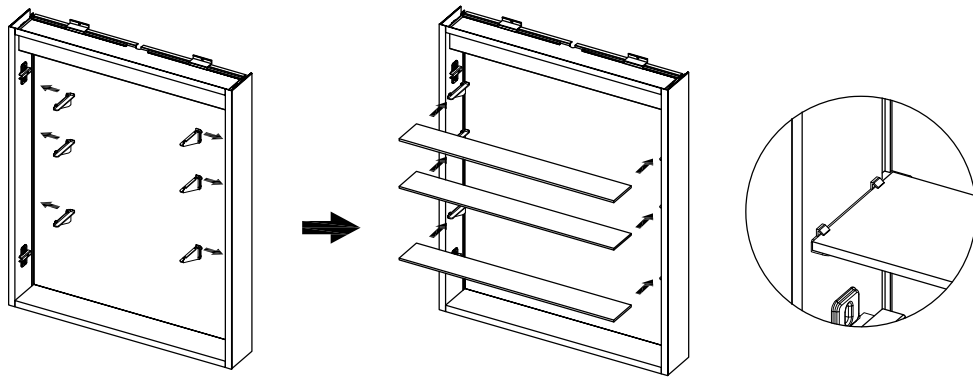
11 Install the side panels.



12 Put the plug into the socket.



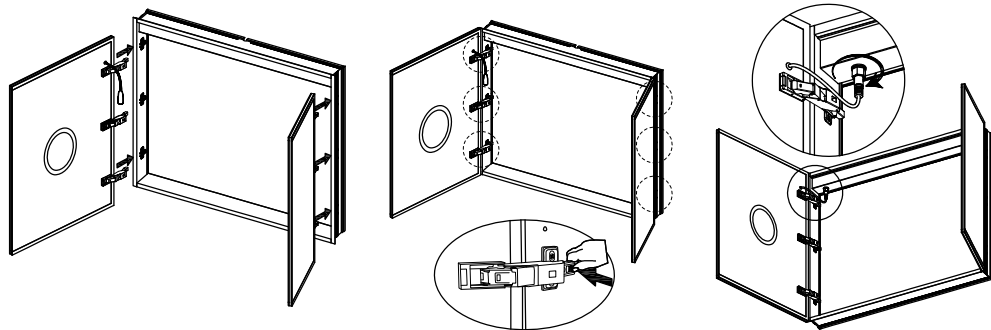
Glass Shelf Installation



1. Insert clear snap in shelf clips into holes on the sides of the cabinet.

2. Insert the Glass Shelf along the board clip slot.

Mirror Door Installation

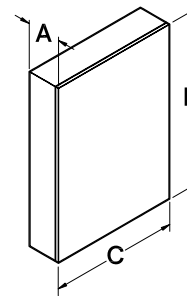


1. Slide the doors into place by pinching the end of the hinges.
2. Plug the door into the cabinet.

3. Press the end of the hinge to match the hinge seat.

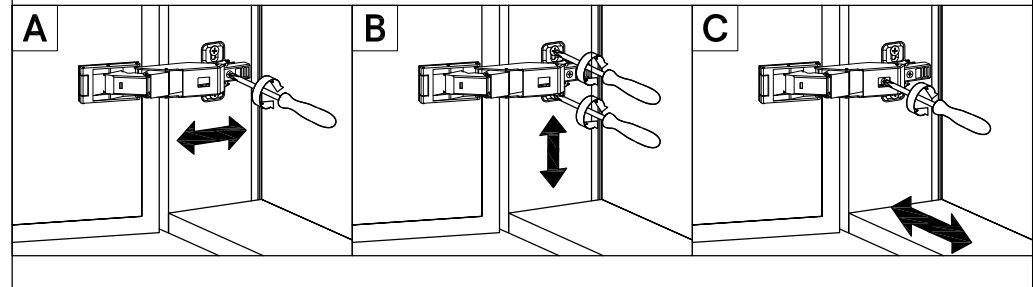
4. Installing wiring terminals.

Door Adjustment / Door Removal



Optional Door Adjustment

- Doors may need to be adjusted after the initial shipping of the cabinet.
- The cabinet doors have a three-way adjustment feature. Height, side-to-side, level and depth can be adjusted.
- With the hinge slightly closed you can access the middle screw for up/down adjustment.
- With the hinge fully extended you can access the front and back screws. These screws will move the door side to side and in and out.



Touch Button Setting Up

■ How to use Defogger Switch and Dimmer Switch



"Switch" sign

- Left touch switch
 - ON/OFF Anti-fog(The defogger power will automatically turn off after an hour)light brightness change from 10% to 100% by holding
- Right Touch switch
 - ON/OFF Lighting light temperature change from 2700K to 6500K by holding

• Operation

1. Touch the switch button to turn ON the light.
2. Touch and hold the light ON sensor button to change the light temperature from 2700K to 6500K, Release the button when the light temperature reaches the desired color.
3. Touch the switch button to turn ON the defogger.
4. Touch and hold the defogger ON sensor to dim the light. Release the button when the light reaches the desired brightness setting.
5. Inside LED Light with door switch sensor makes it a lighted medicine cabinet when you open the door. Open the door, inside LED Light ON.

※ The mirrors are equipped with a memory feature to preserve the previous brightness setting.

■ How to use Outlet and USB Charger

This lighted medicine cabinet contains outlet and USB chargers.

1. Outlet Charger is 15Amp 110V AC to power shavers, or toothbrushes, but do not use it for Hair dryer, it may blow a circuit.
2. USB ports provide 4.2Amp 5V DC for charging purpose only, not for data transfer.

※ Suggestion: Turn off the mirror power supply if you don't use it for a long time.

Use and Maintenance

■ Warnings

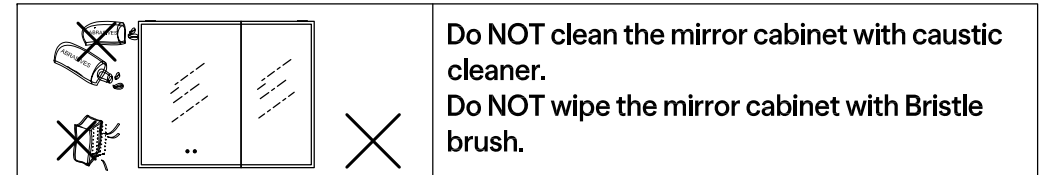
1. Please do not use if you found the mirror has been broken.
2. Never put any sharp or heavy material on the mirror surface, other wise the glass mirror will be broken and body injury accidents may occur.
3. Turn off the power switch in storm lightning weather to avoid electric parts damage.

■ CAUTION

• Use



• Cleaning



• Maintenance

