

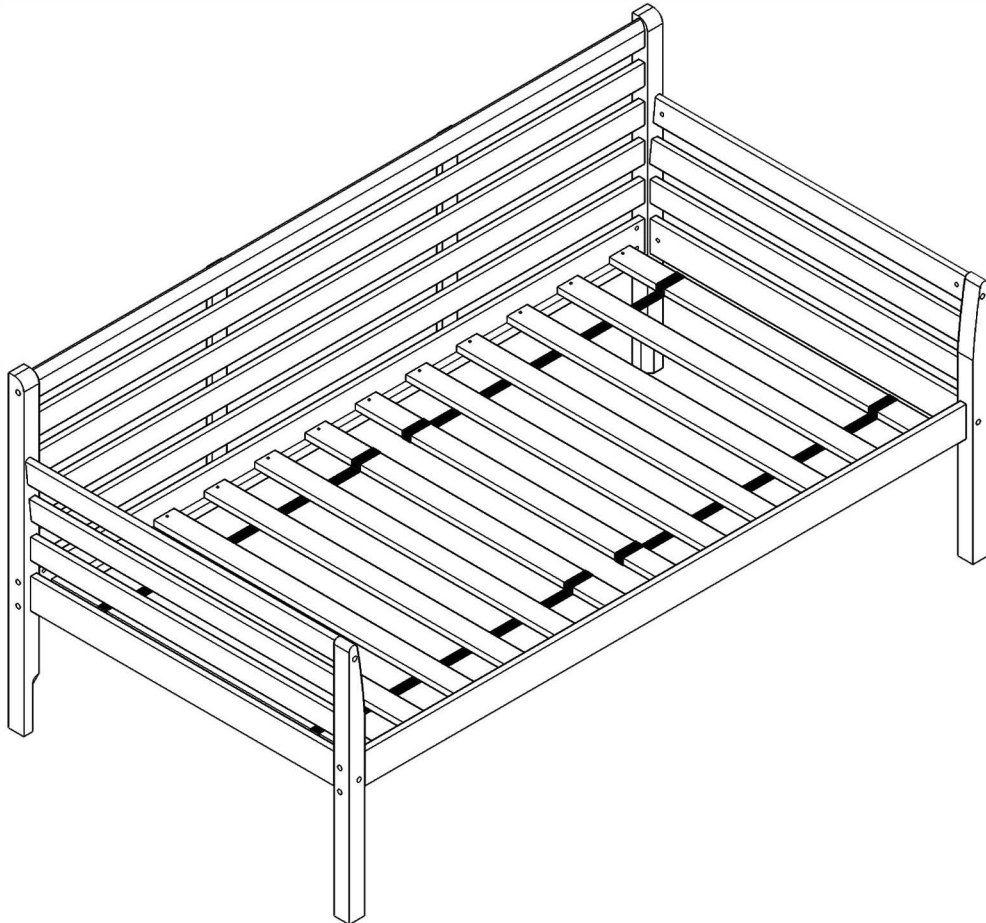


DO NOT RETURN TO RETAILER
IF YOU HAVE ANY
QUESTIONS OR CONCERNS
PLEASE CALL US FIRST.

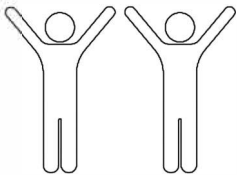


Daybed

Assembly Instructions



Required:



Tools Needed:



Allen Key provided

Please cover floor with corrugated cardboard / paper / carpet
to avoid scratches / damages to floor

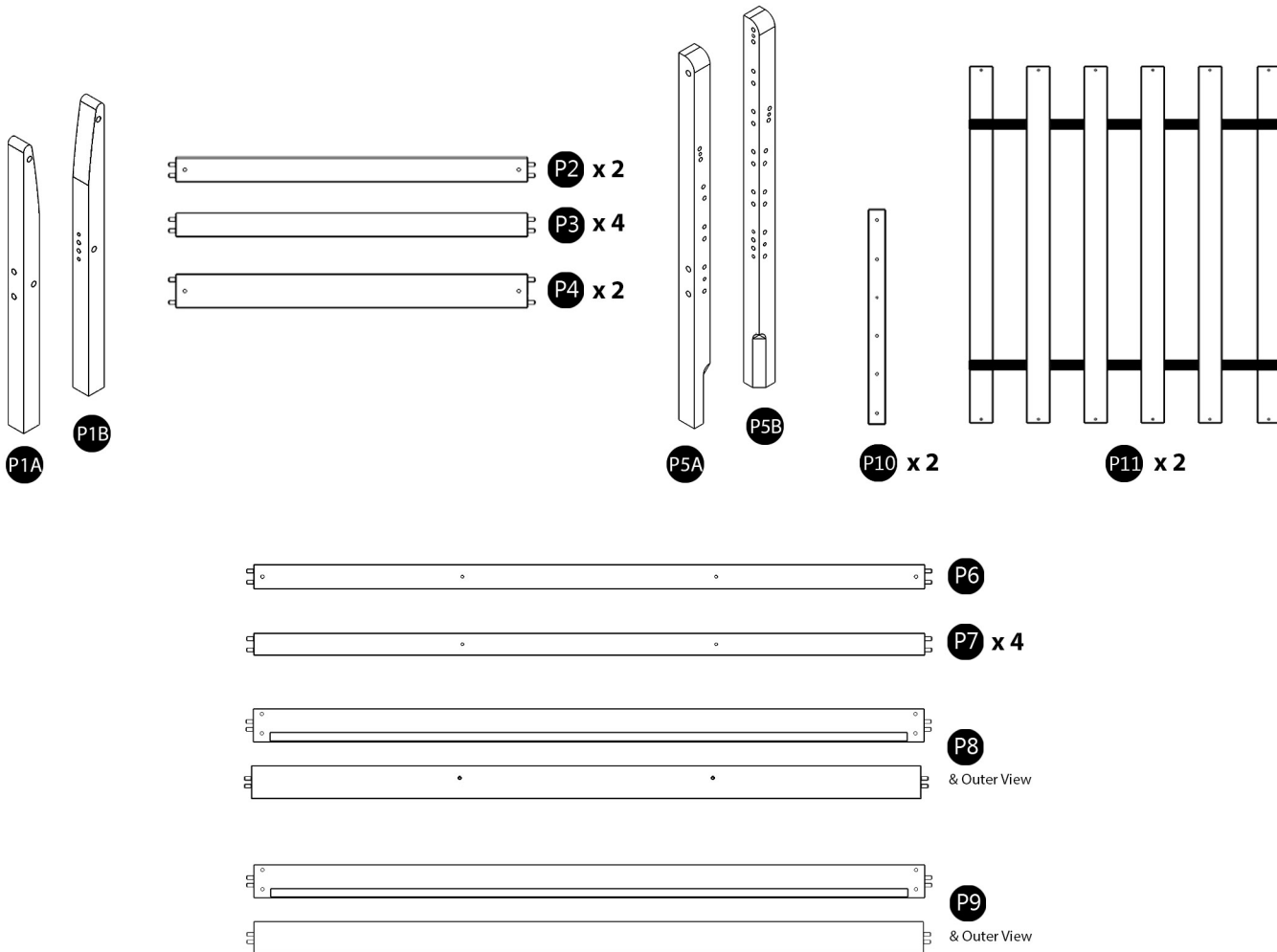
Assembly Checklist

Please make sure that you have all of the below items before you start. If any are missing, please contact us for a replacement.

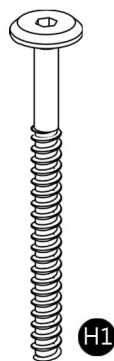


Parts supplied for assembly

Box A



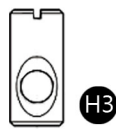
Hardware supplied for assembly



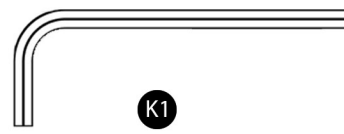
x 18



x 36



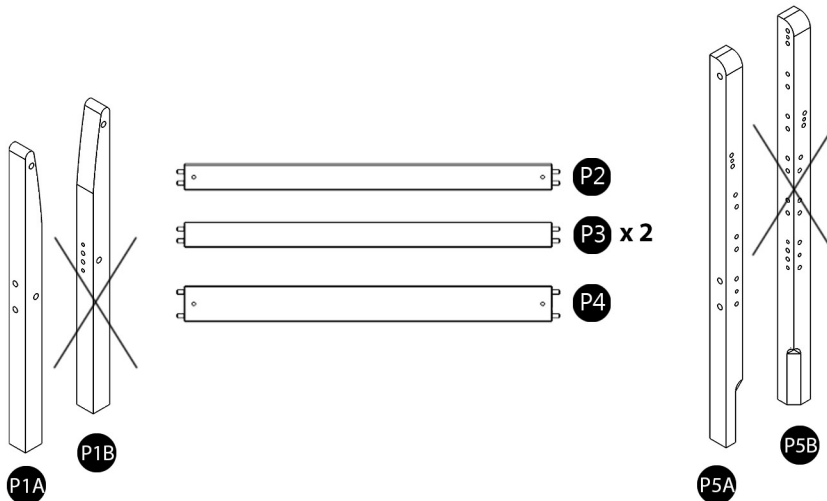
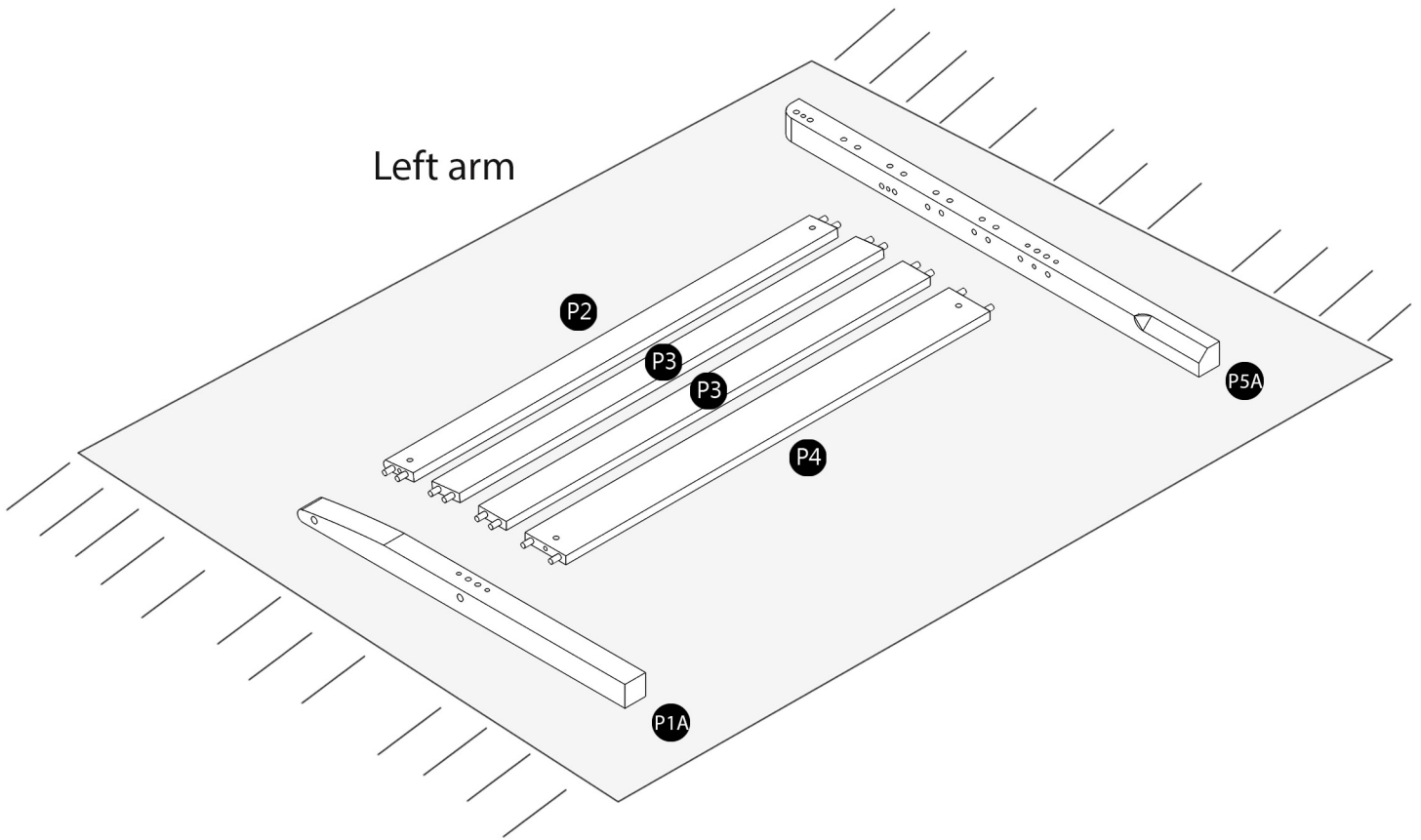
x 18



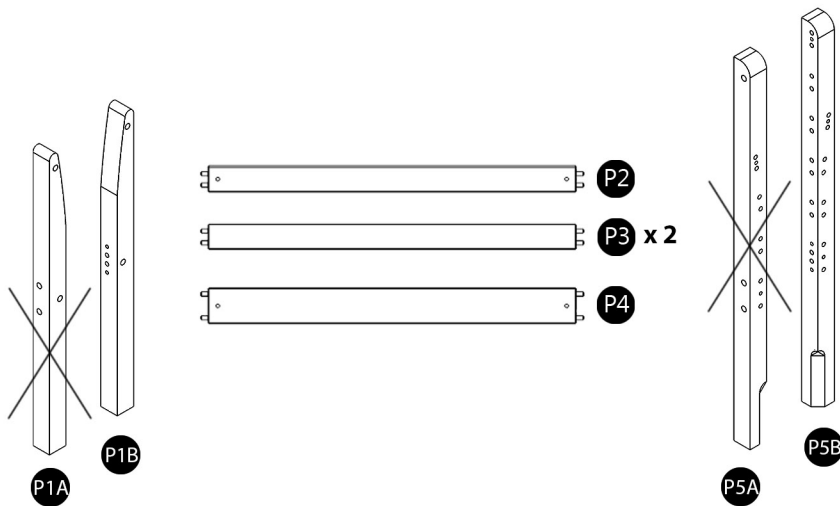
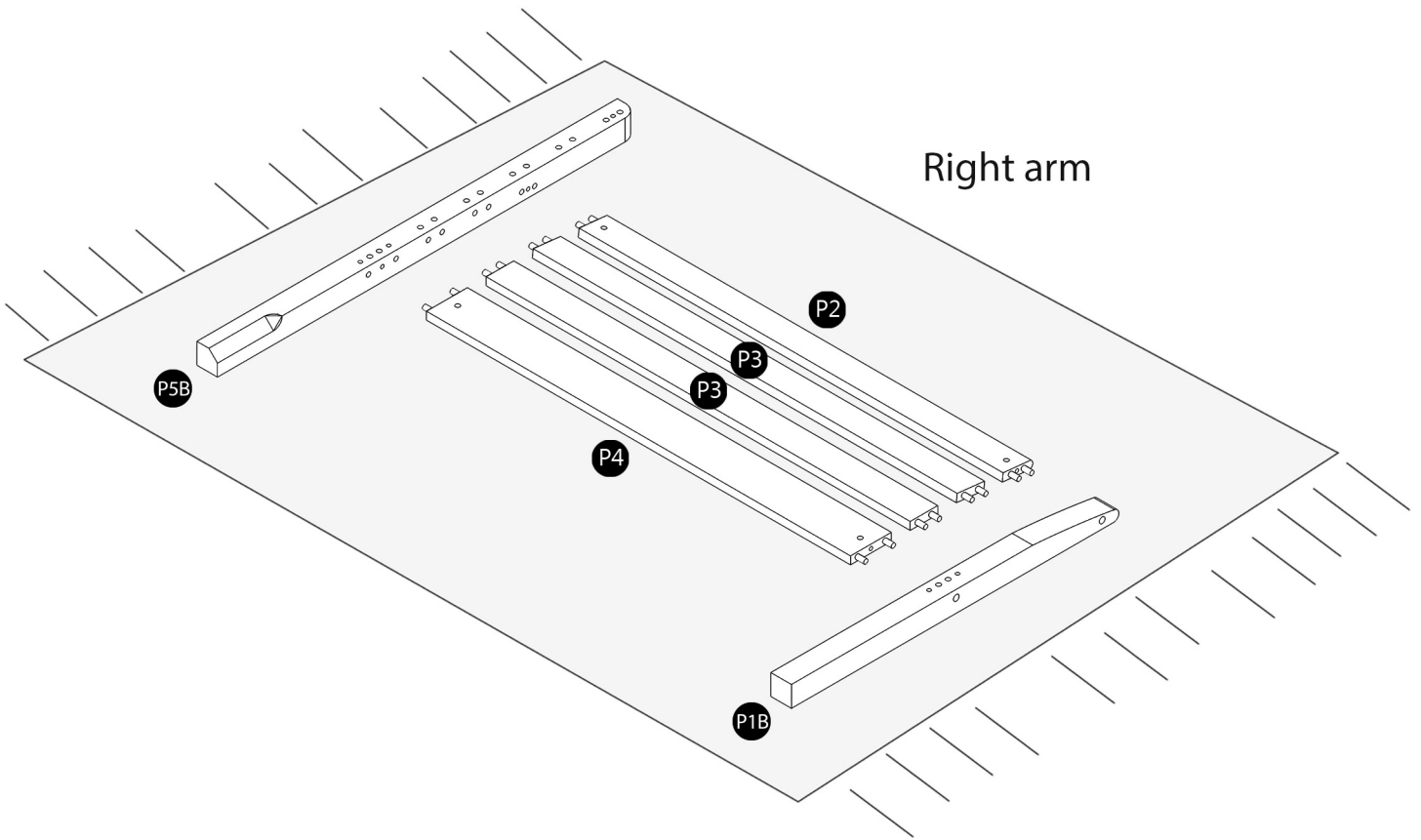
K1

Tools required for assembly:
 - Allen Key (supplied)
 - Screwdriver (not supplied)

Step 1: Locate parts P1A, P2, P3(2), P4 & P5A

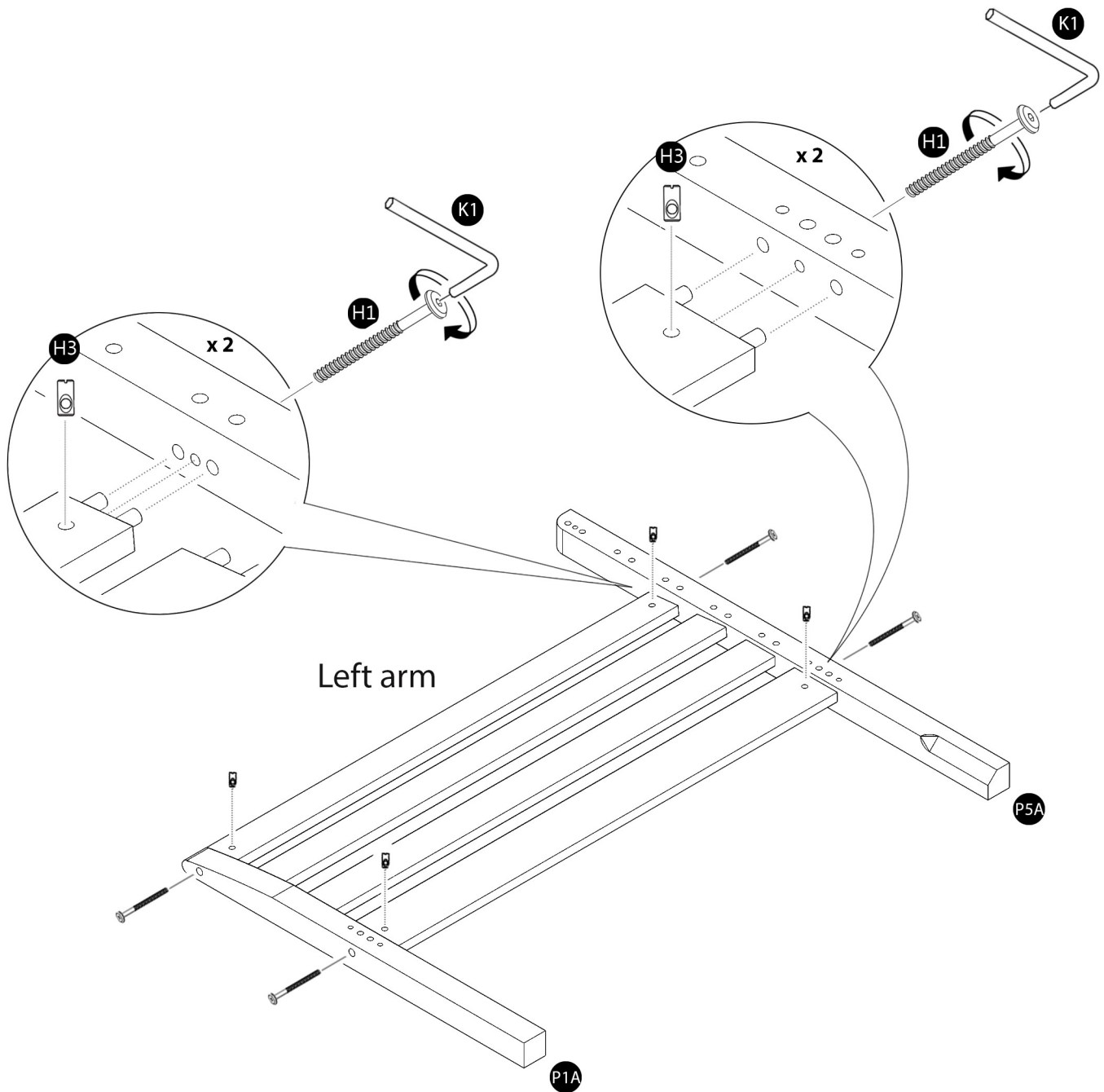


Step 2: Locate parts P1B, P2, P3(2), P4 & P5B

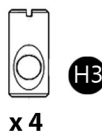
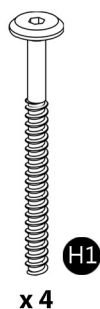


Step 3: Attach P1A and P5A to P2, P3(2), P4 with hardware as shown

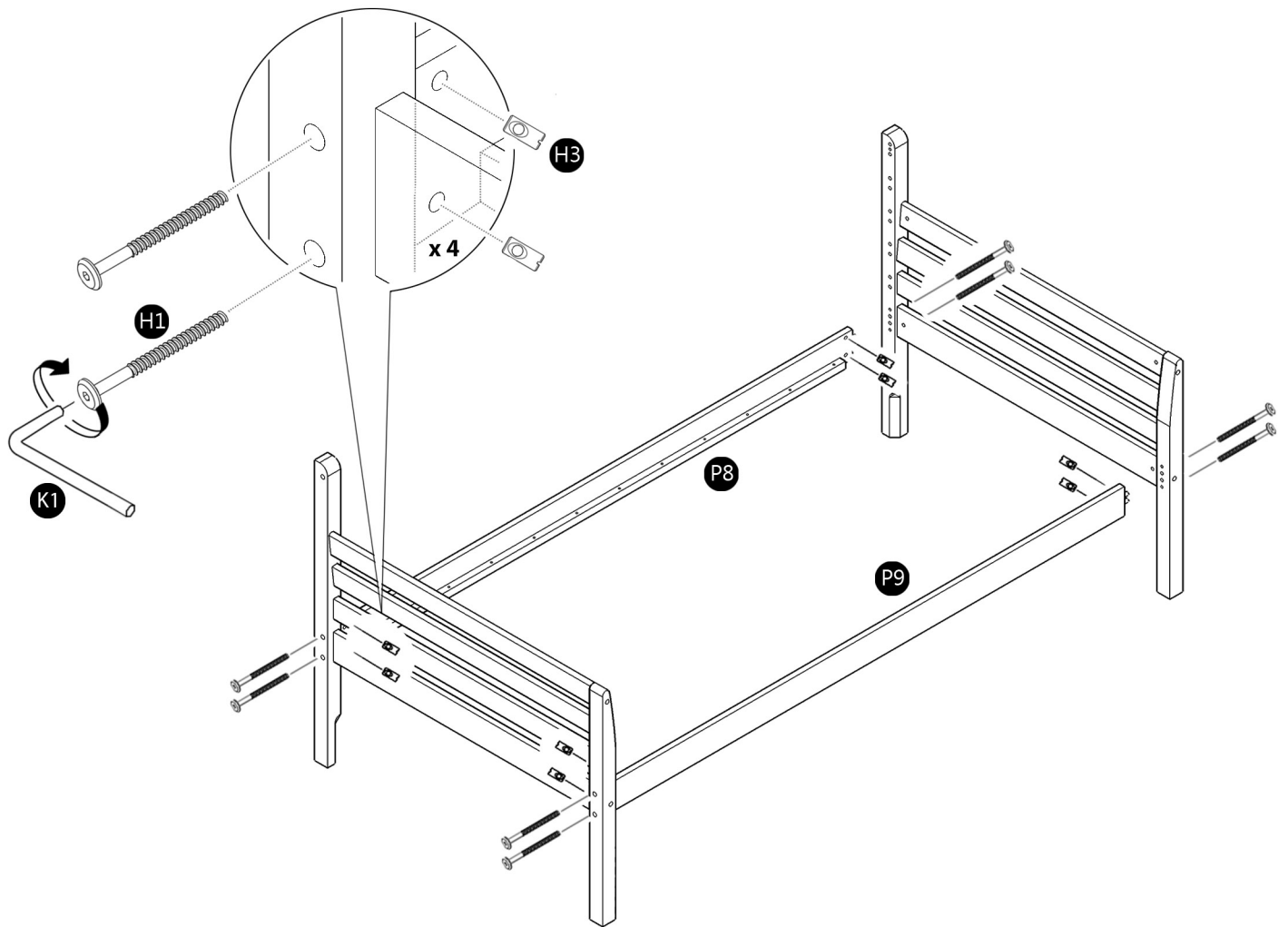
Repeat the same step for other right arm P1B & P5B with same hardware as shown.



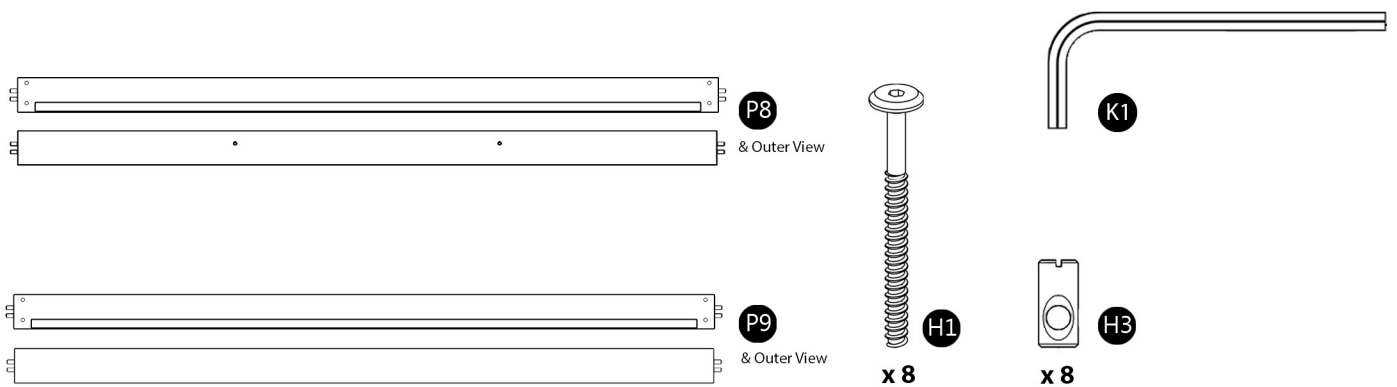
Tighten all bolts at this point.



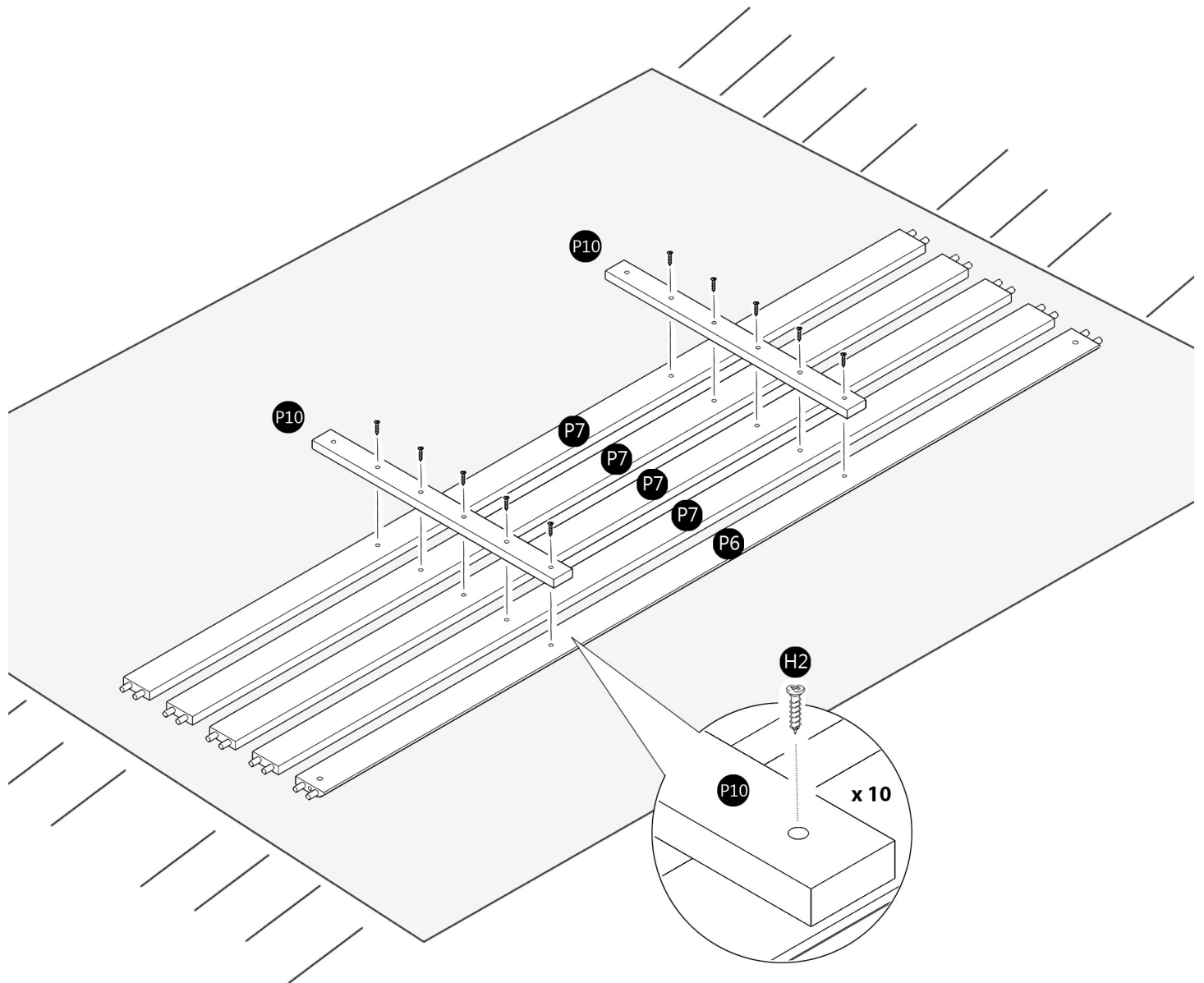
Step 4: Attach P8 & P9 to both arms



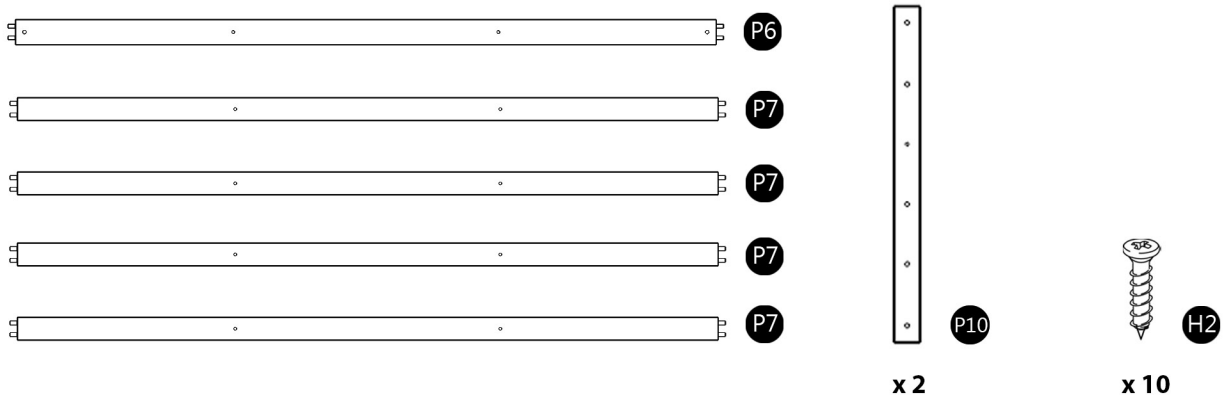
IMPORTANT! Loosely attach H1 bolts at this step.



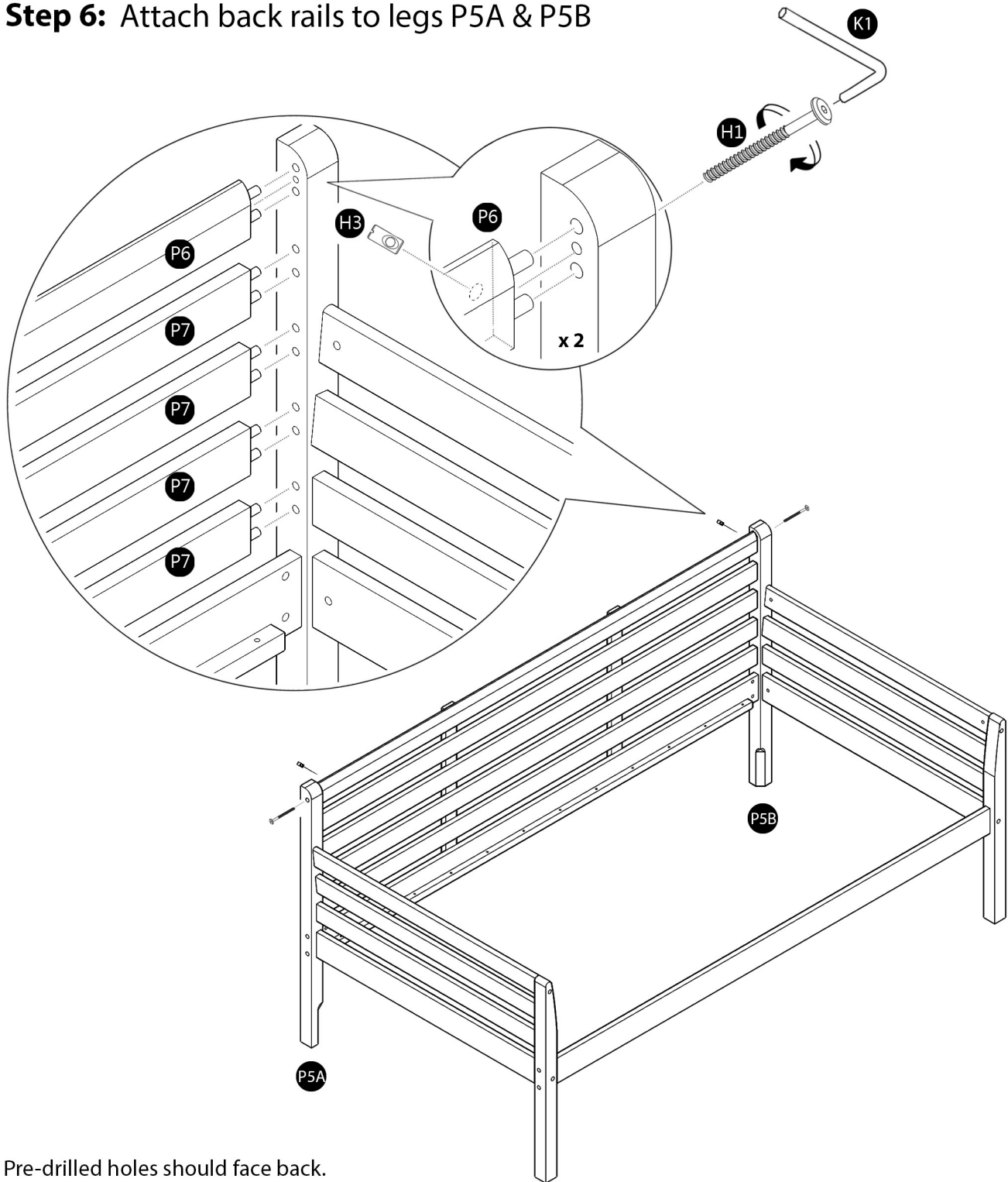
Step 5: Attach P10(2) to P6, P7(4) with hardware as shown



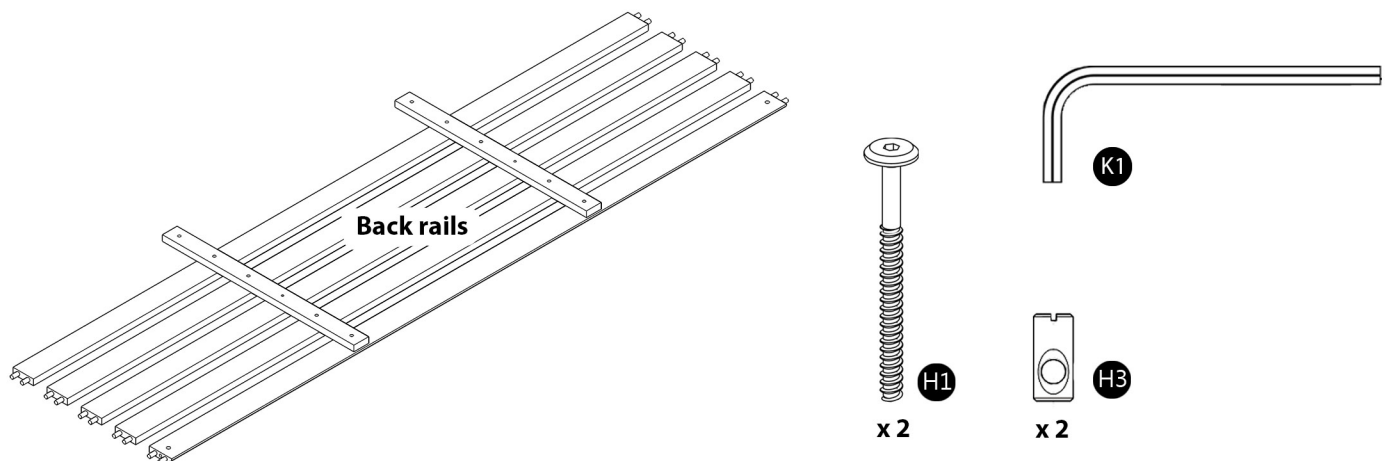
Tighten all bolts at this point.



Step 6: Attach back rails to legs P5A & P5B

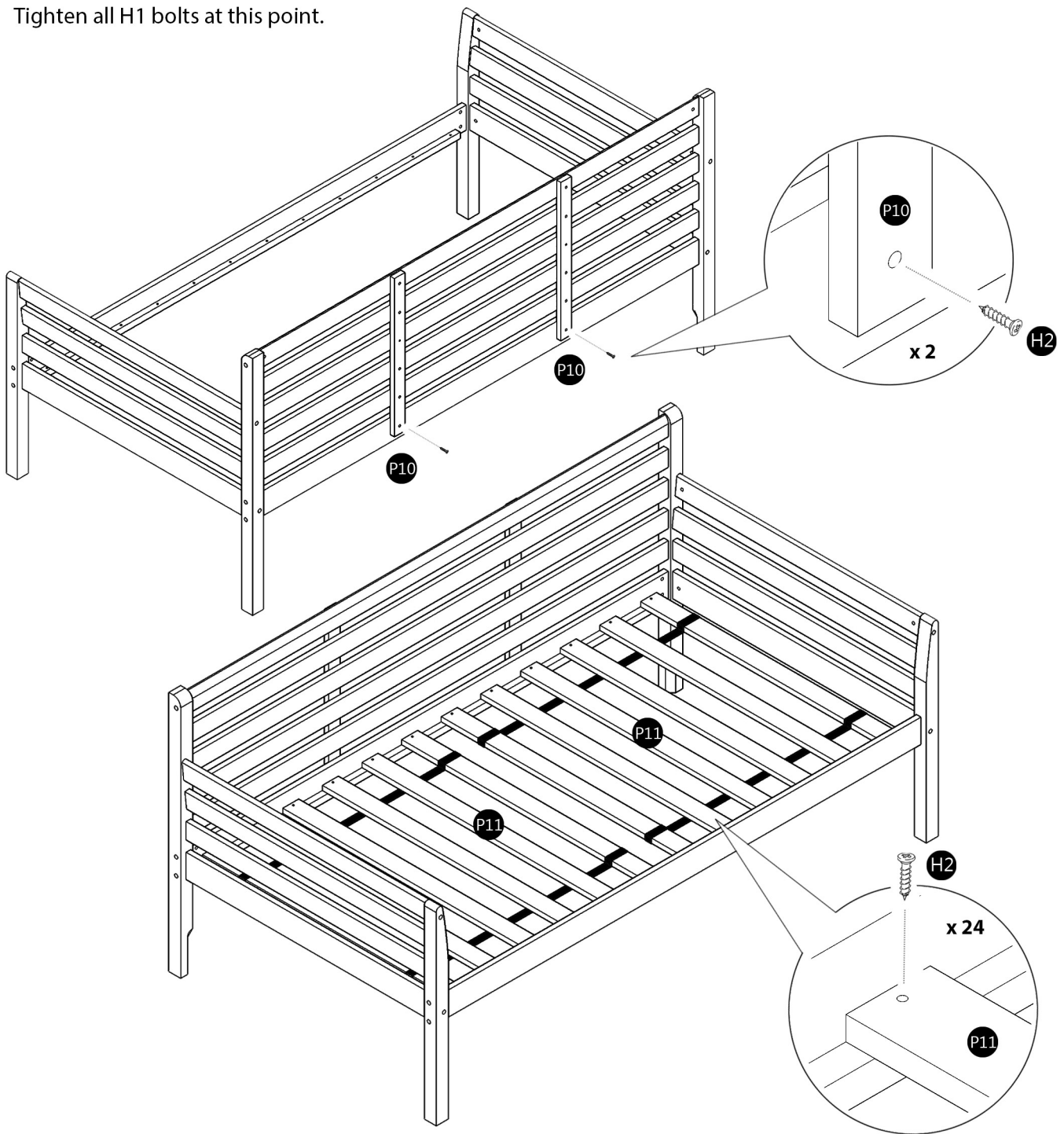


Pre-drilled holes should face back.



Step 7: Secure P10(2) with hardware as shown

Tighten all H1 bolts at this point.



Step 8: Attach P11(2) with hardware as shown

Tighten all bolts at this point.

