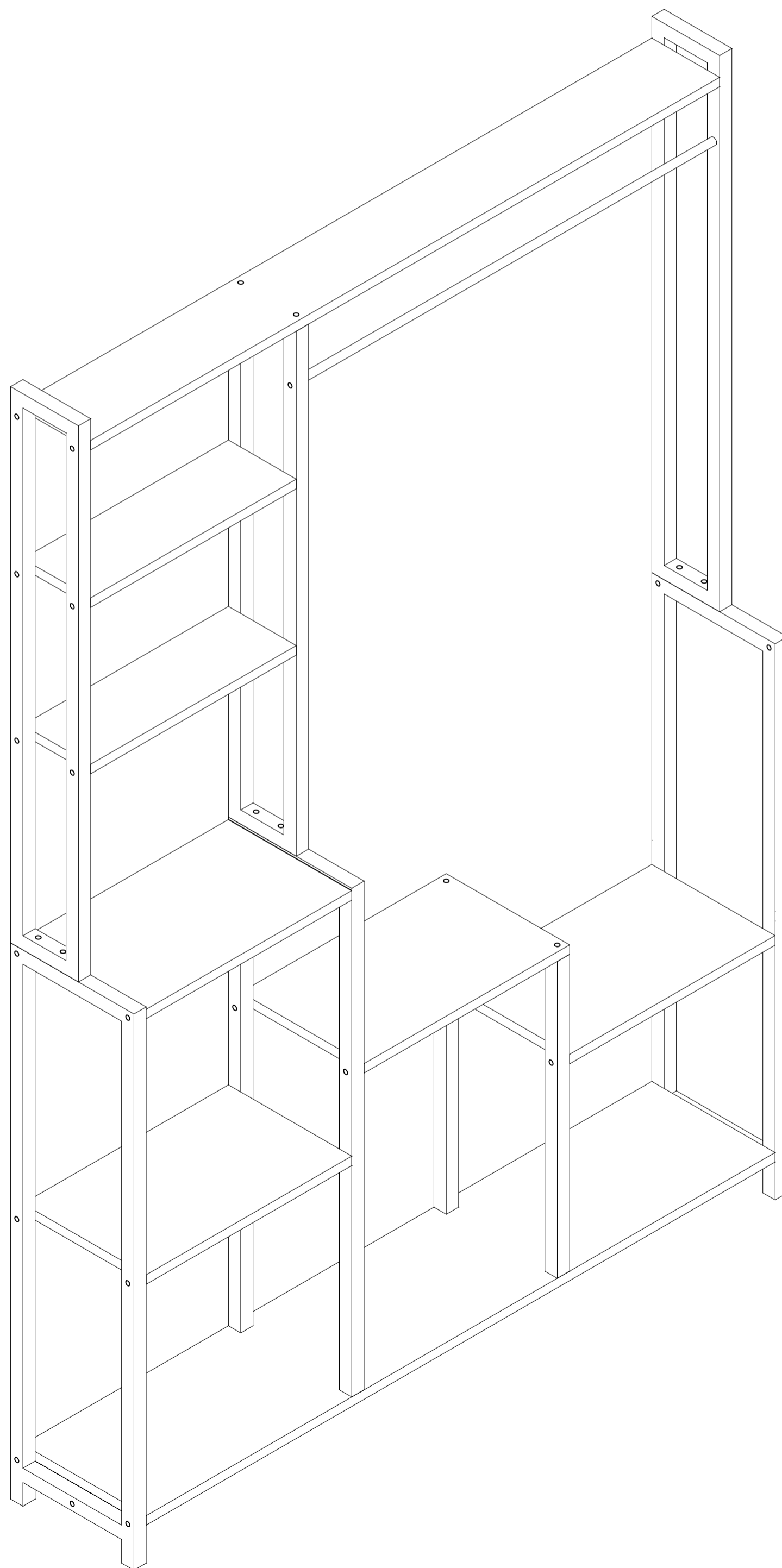
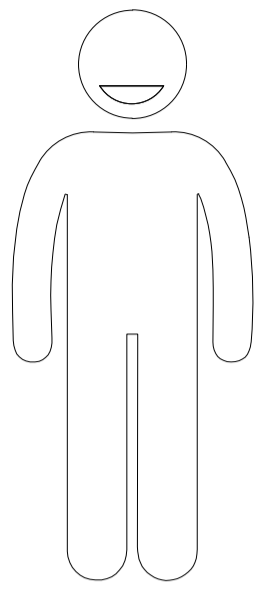
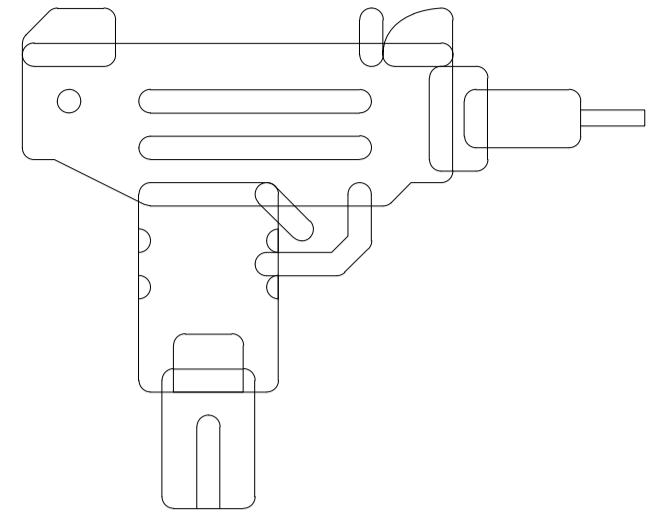
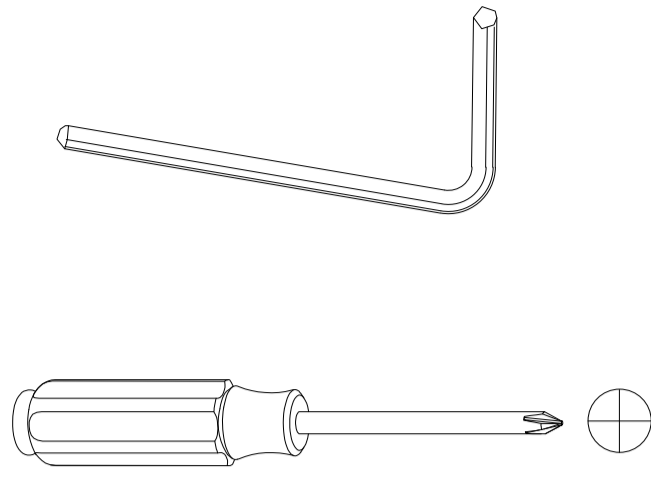

Assembly Instructions

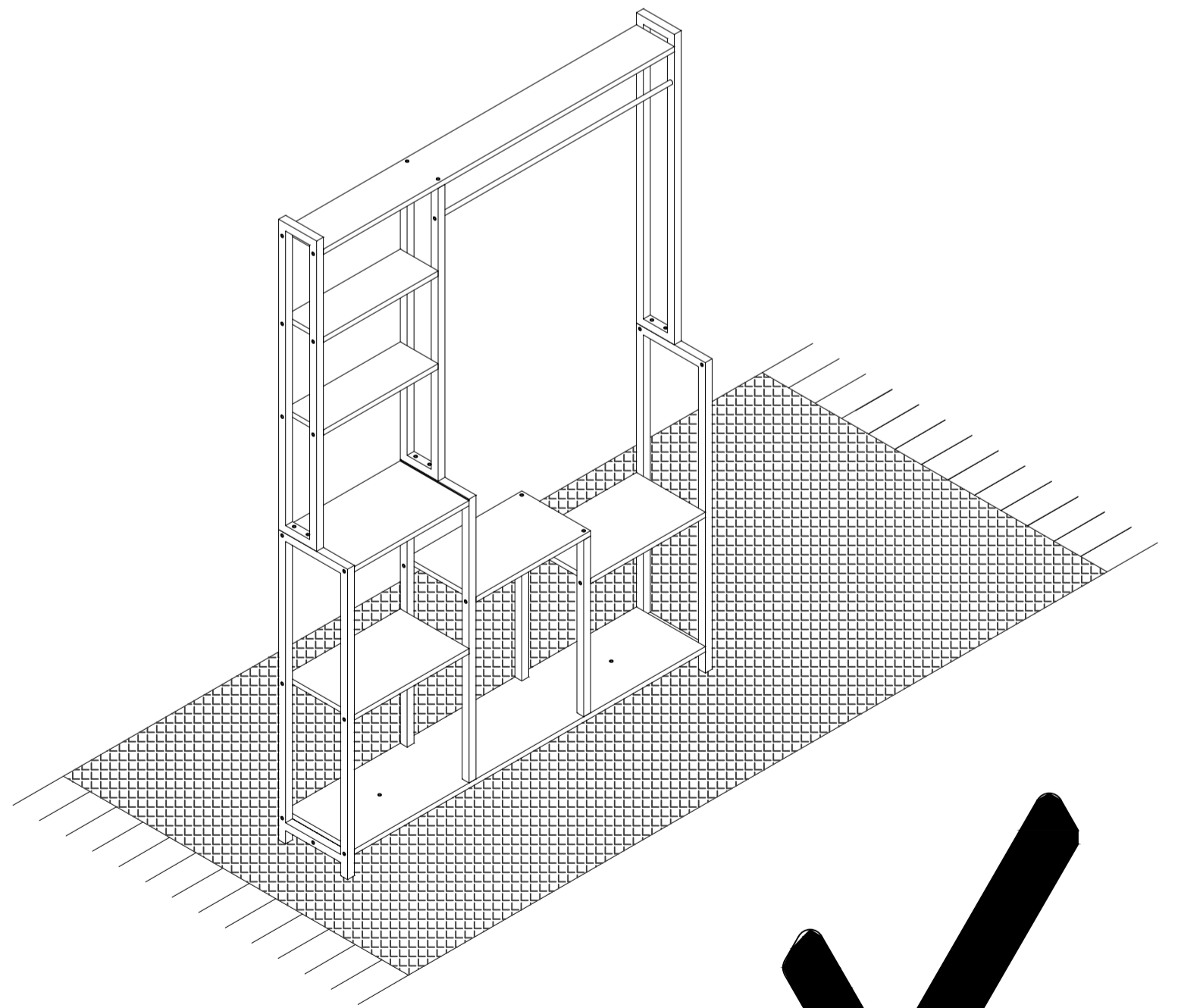
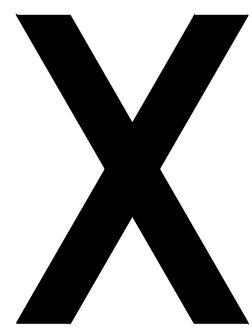
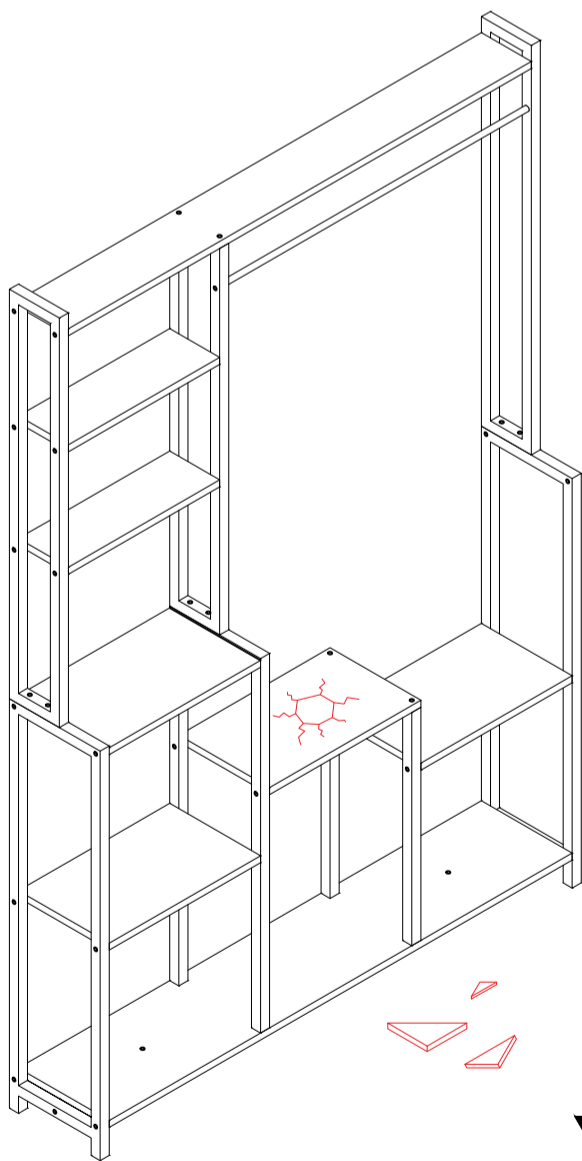
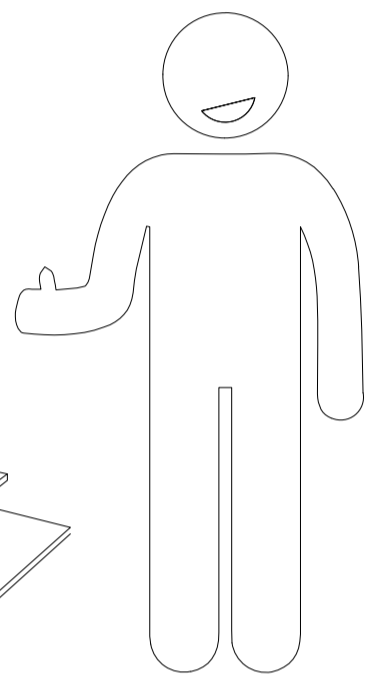
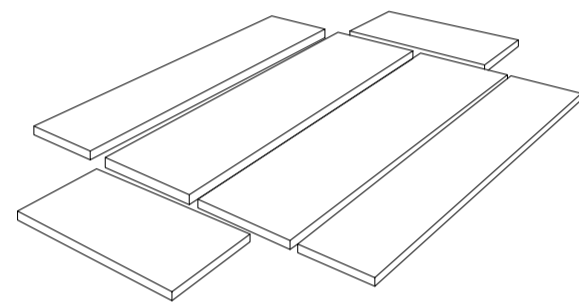
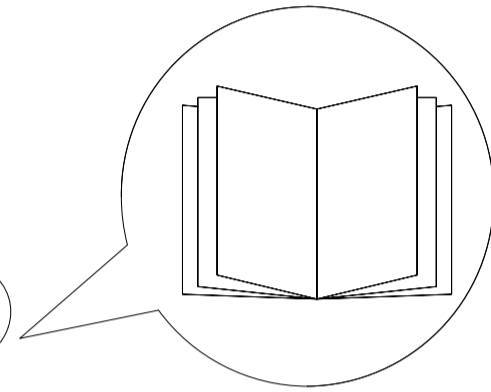
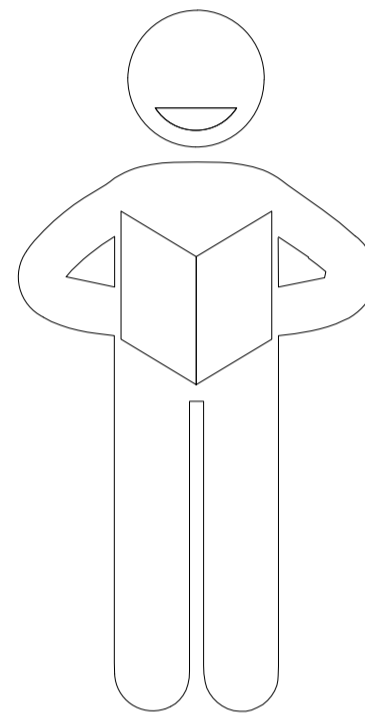
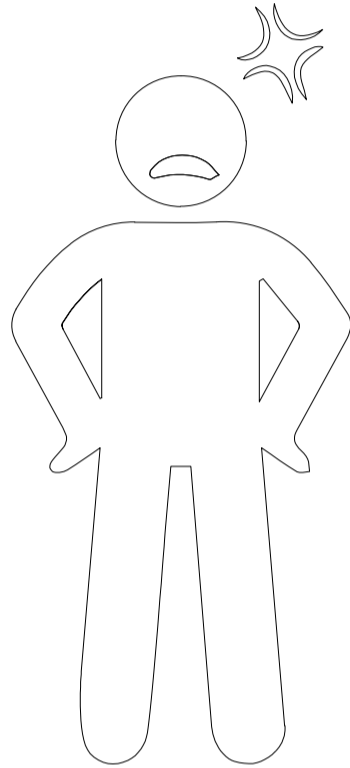
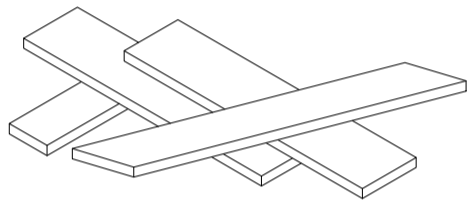
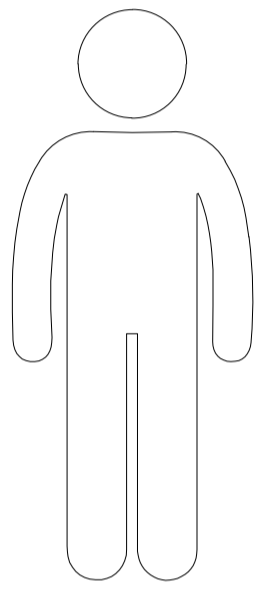


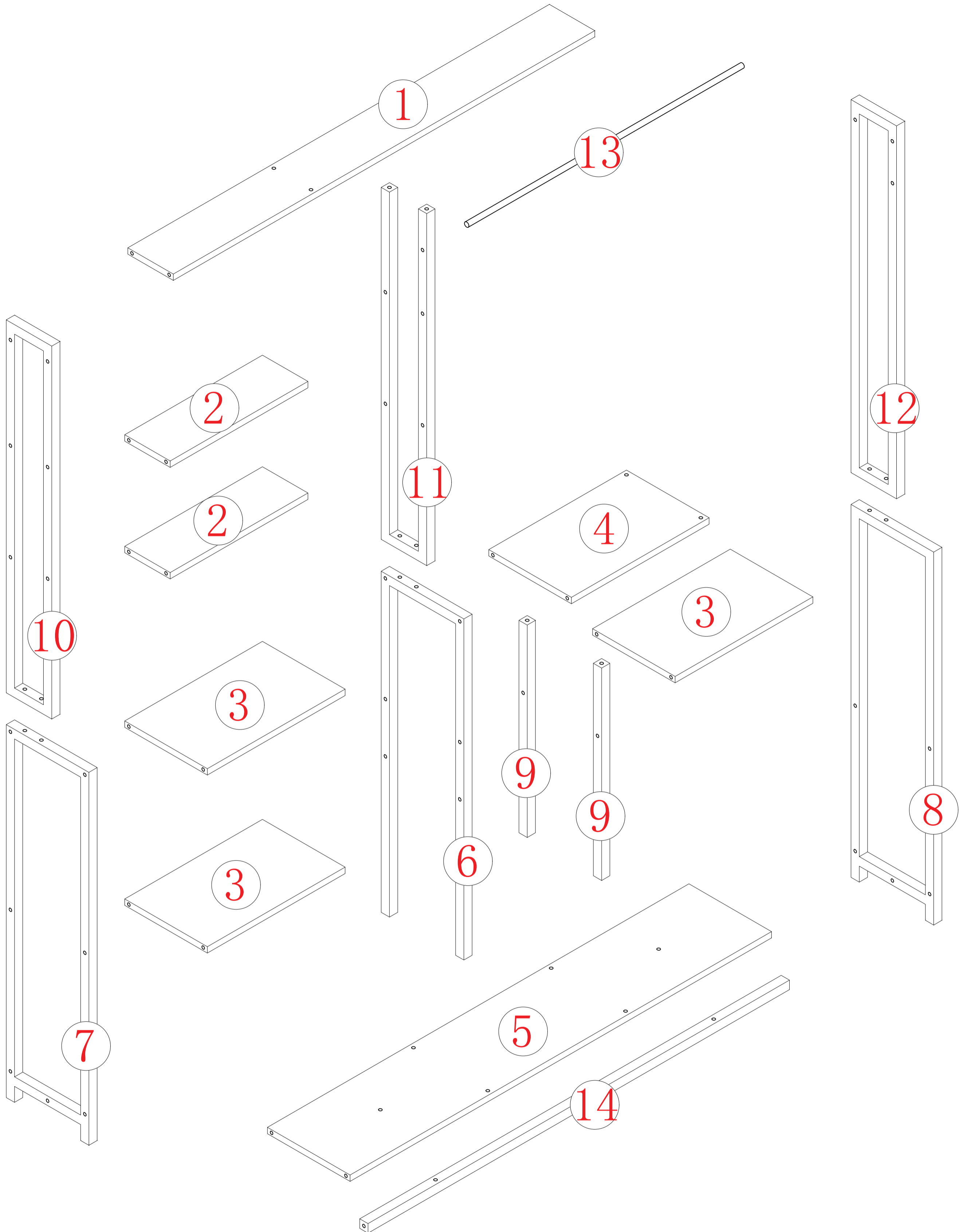


X2



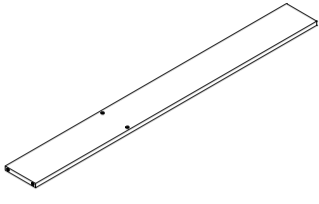
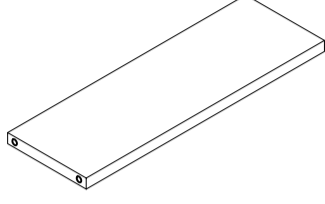
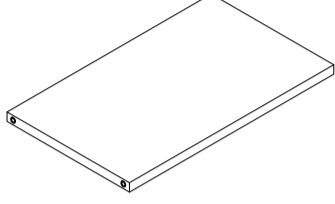
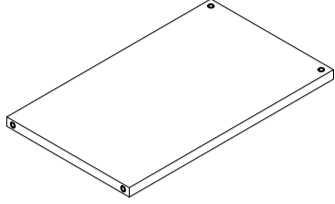
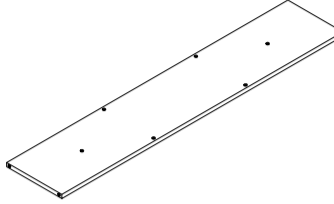
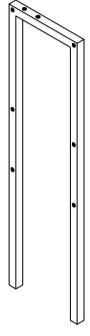
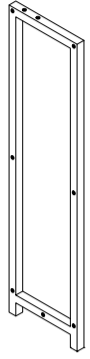
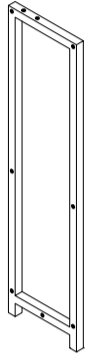
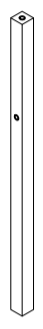
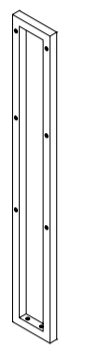
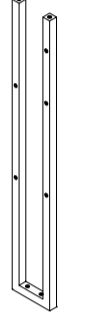
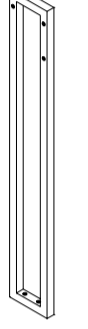
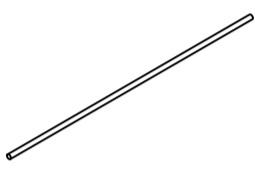
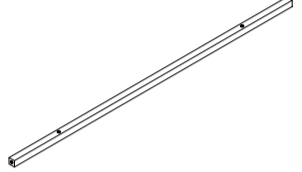
When using the electric screwdriver ,
Reduce the power and torque to avoid damaging the furniture



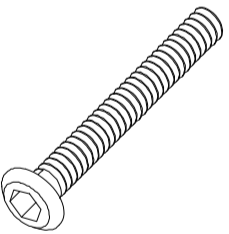


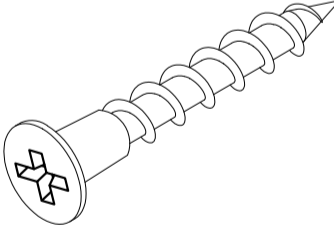
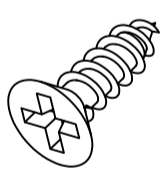
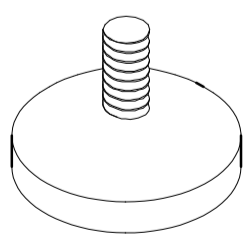
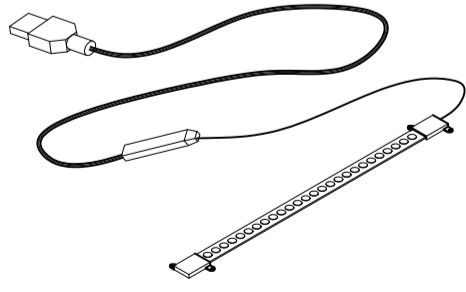
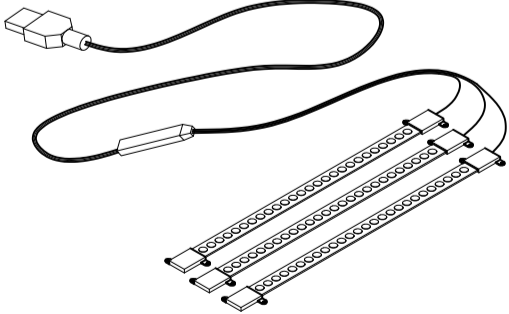
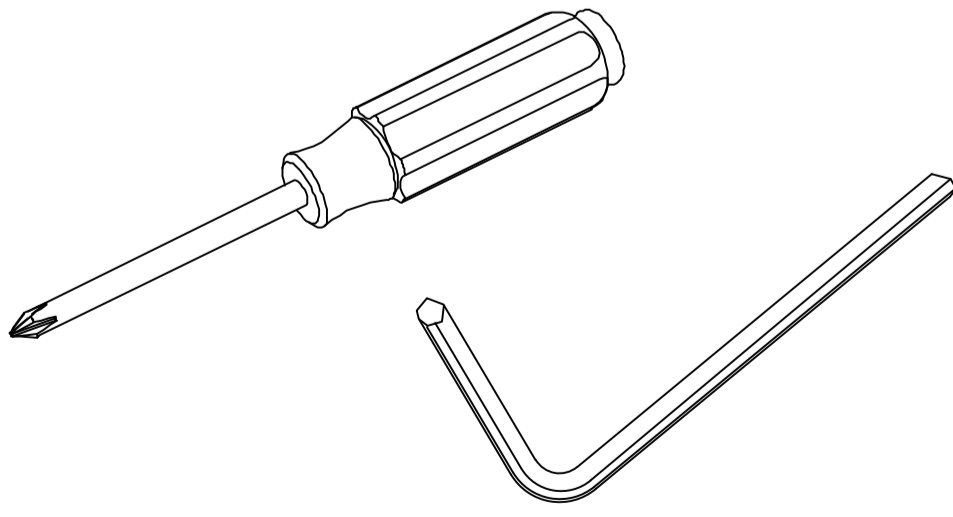


Make sure all parts are included. Most board parts are labeled or stamped on the raw edge. Contact us for free replacement if having damaged or missing parts.

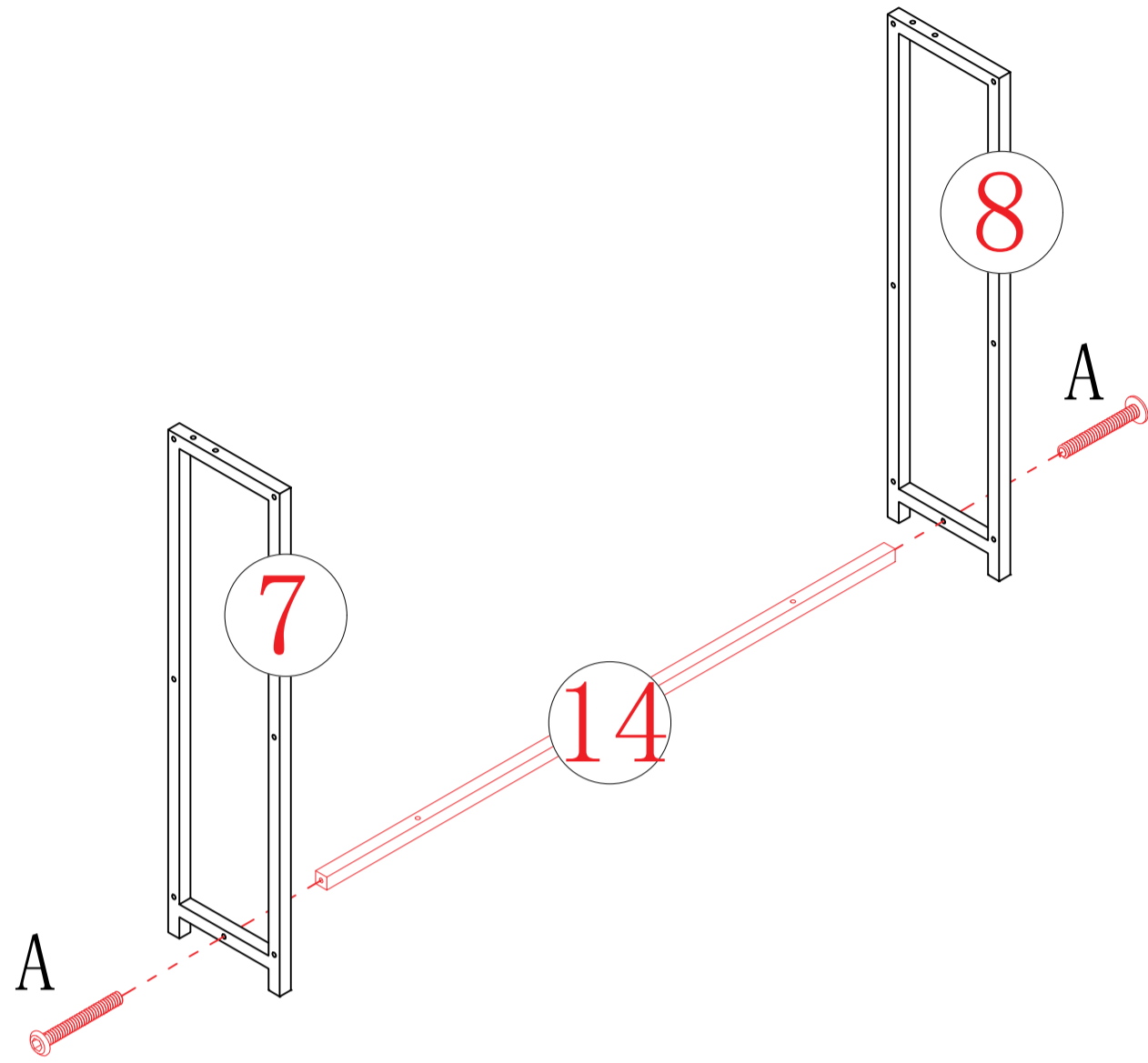
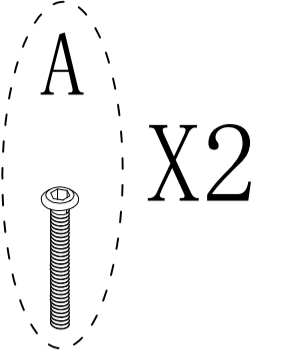
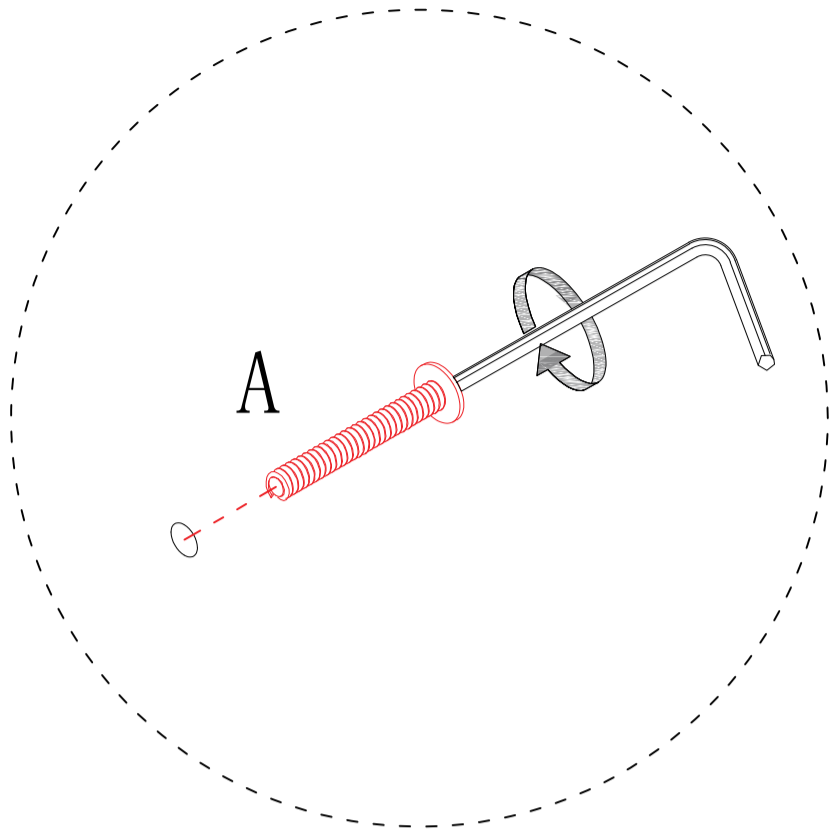
Parts & Hardware List

 ① 1pc	 ② 2pc	 ③ 3pc	 ④ 1pc	 ⑤ 1pc	 ⑥ 1pc	 ⑦ 1pc
 ⑧ 1pc	 ⑨ 2pc	 ⑩ 1pc	 ⑪ 1pc	 ⑫ 1pc	 ⑬ 1pc	 ⑭ 1pc

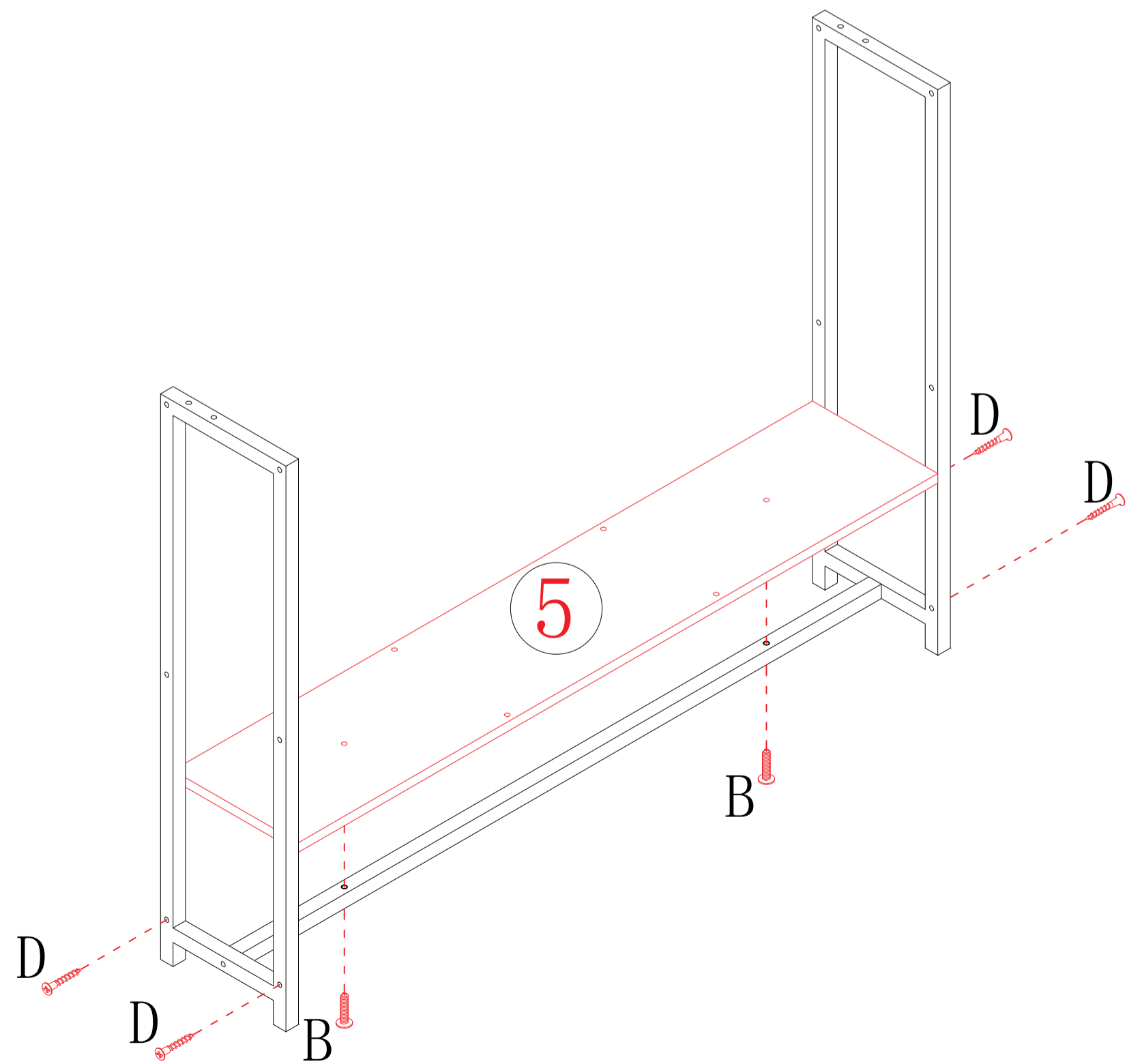
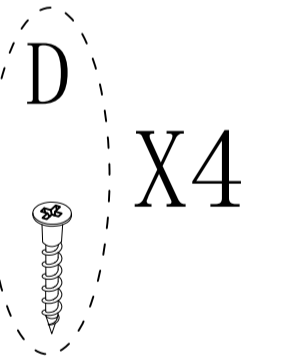
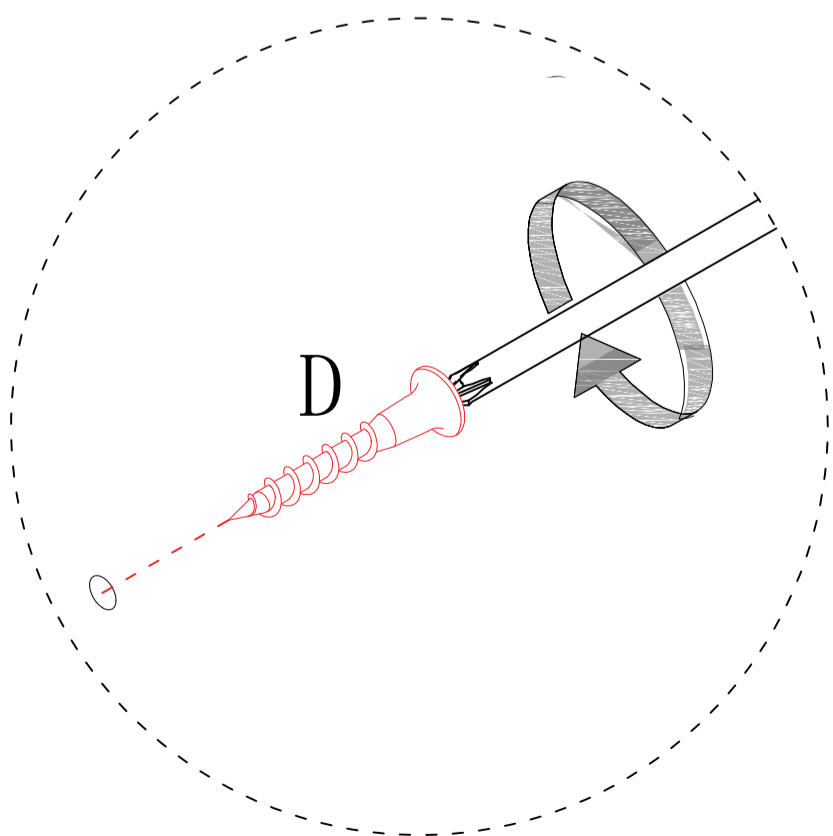
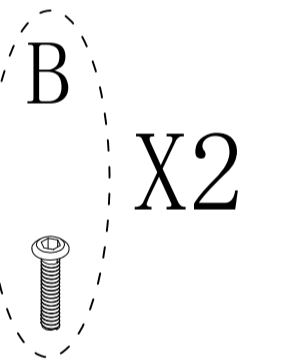
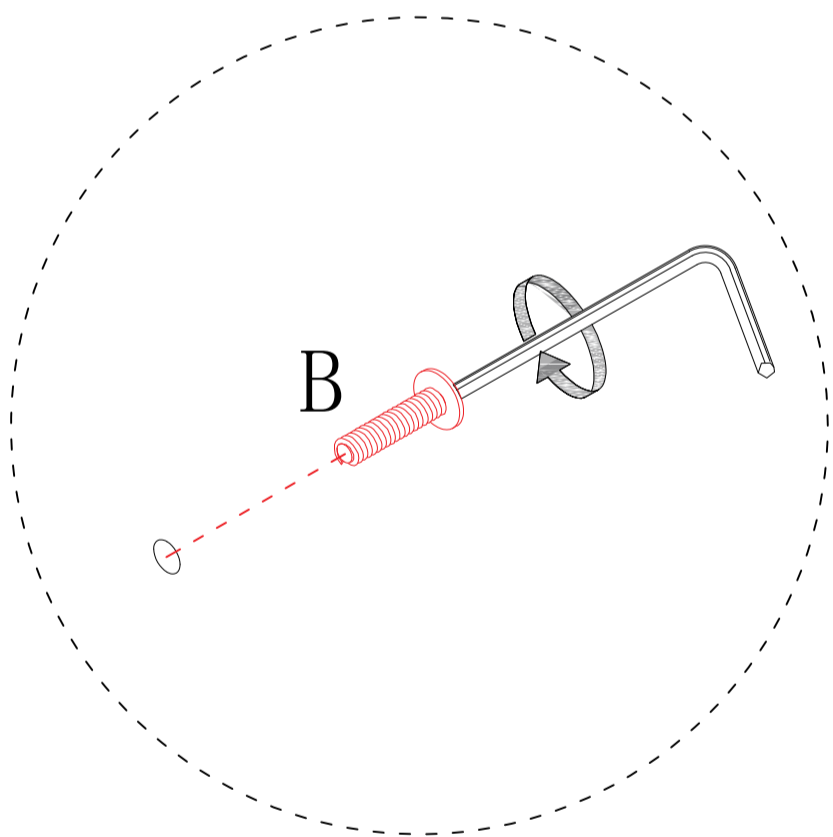
Parts & Hardware List

 A 10pcs	 B 10pcs	 C 6pcs	 D 30pcs	 E 16pcs
 F 4pcs	 G 1pcs	 H 1pcs		

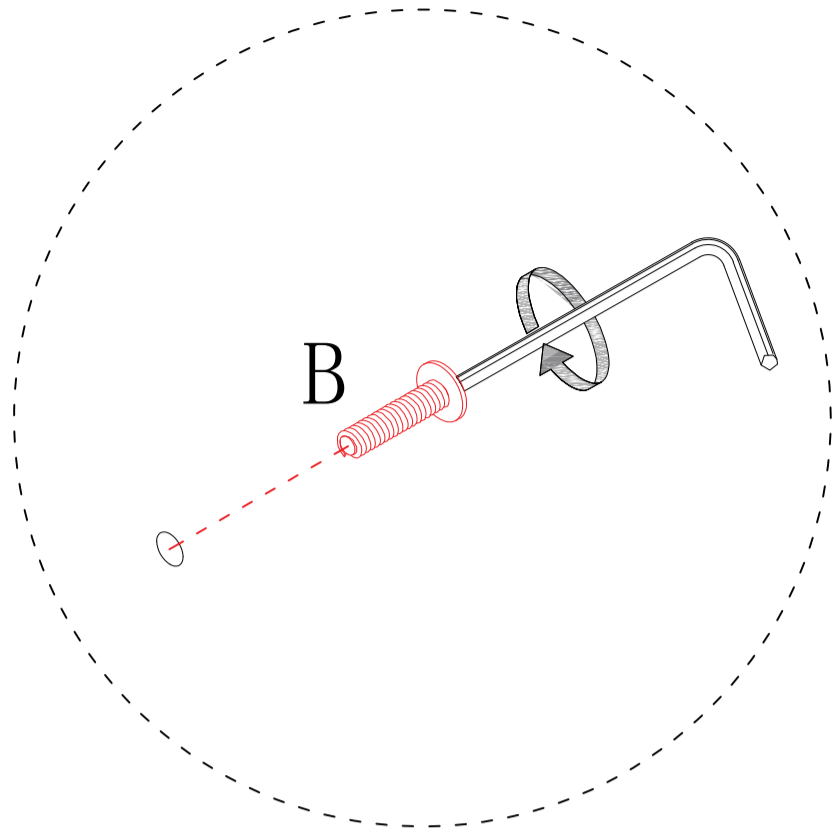
1



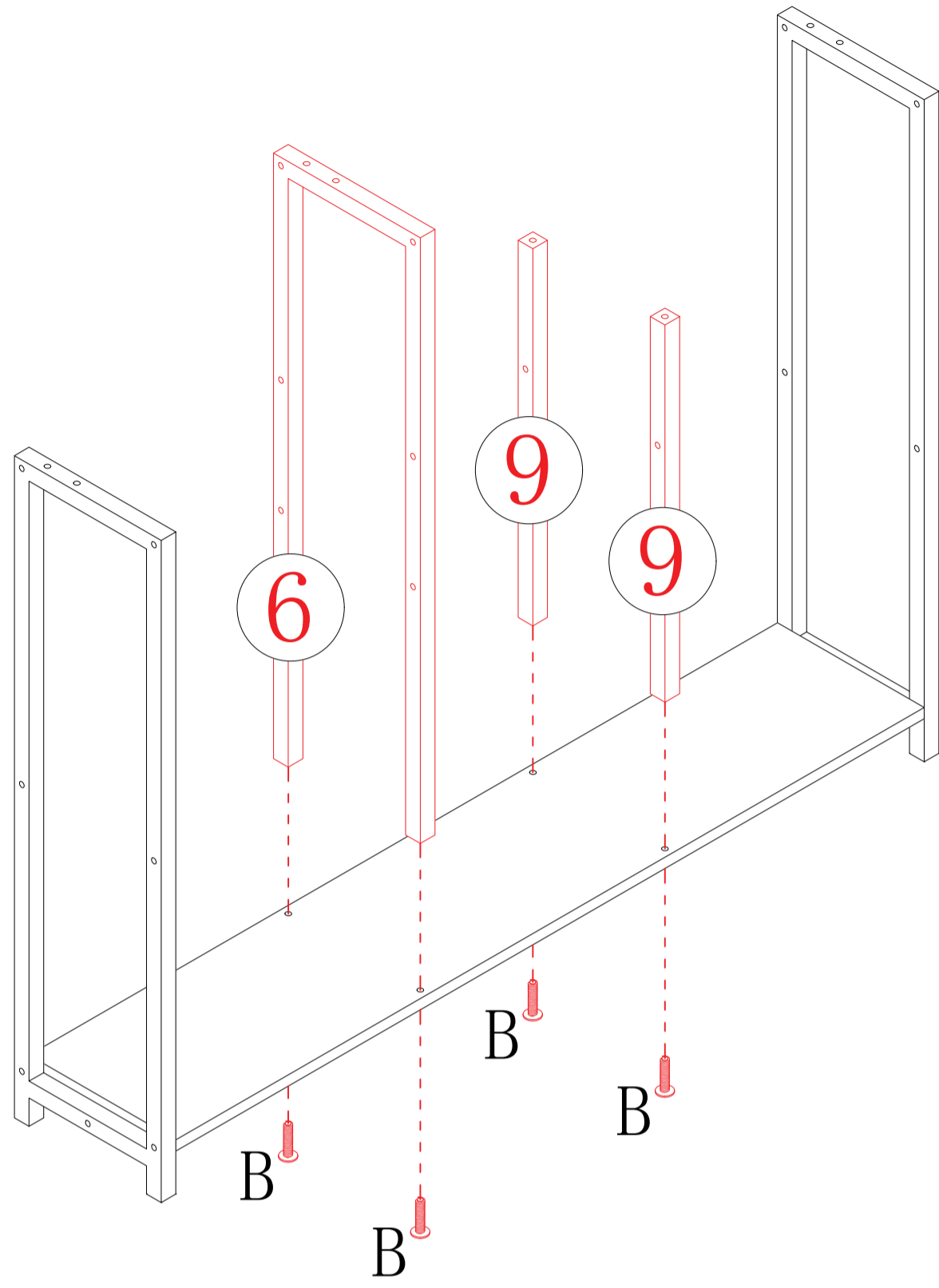
2



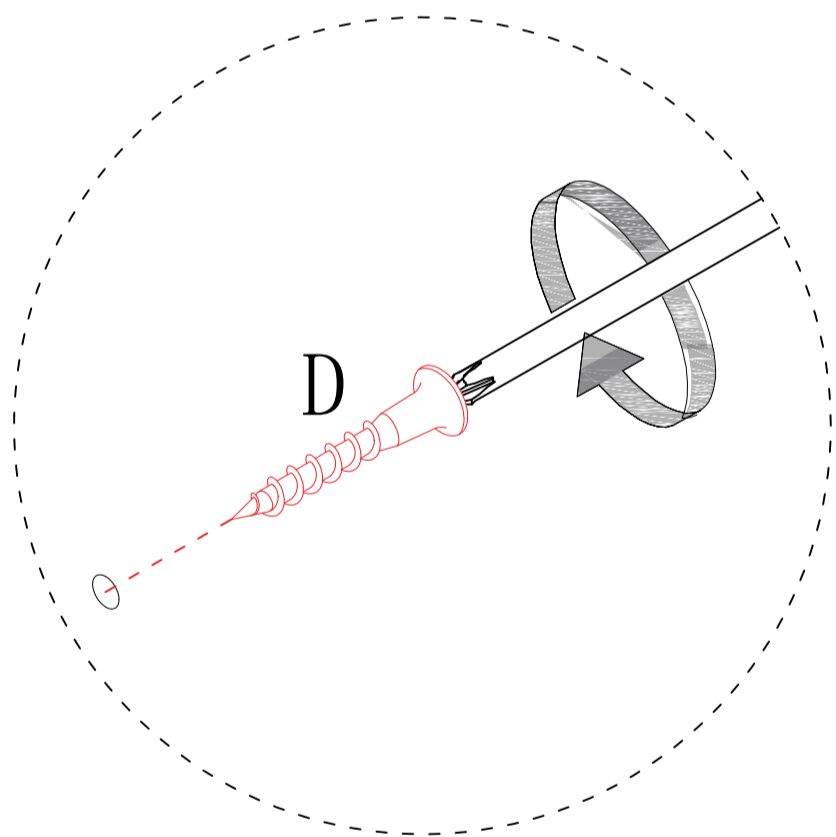
3



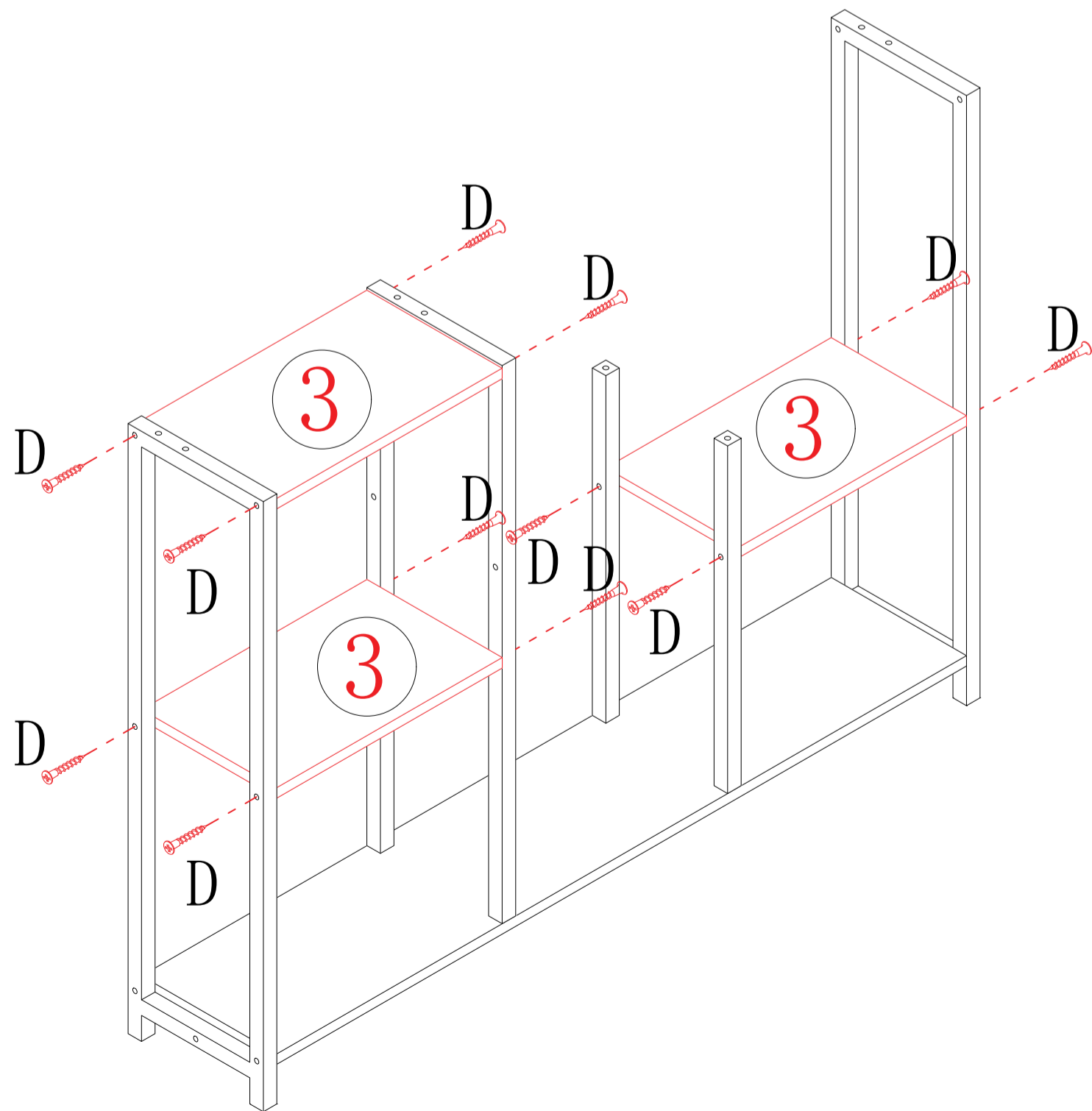
B X4

A small diagram of a red screw labeled 'B' enclosed in a dashed oval.

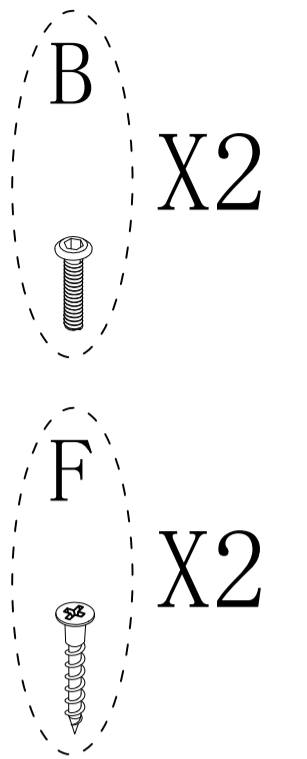
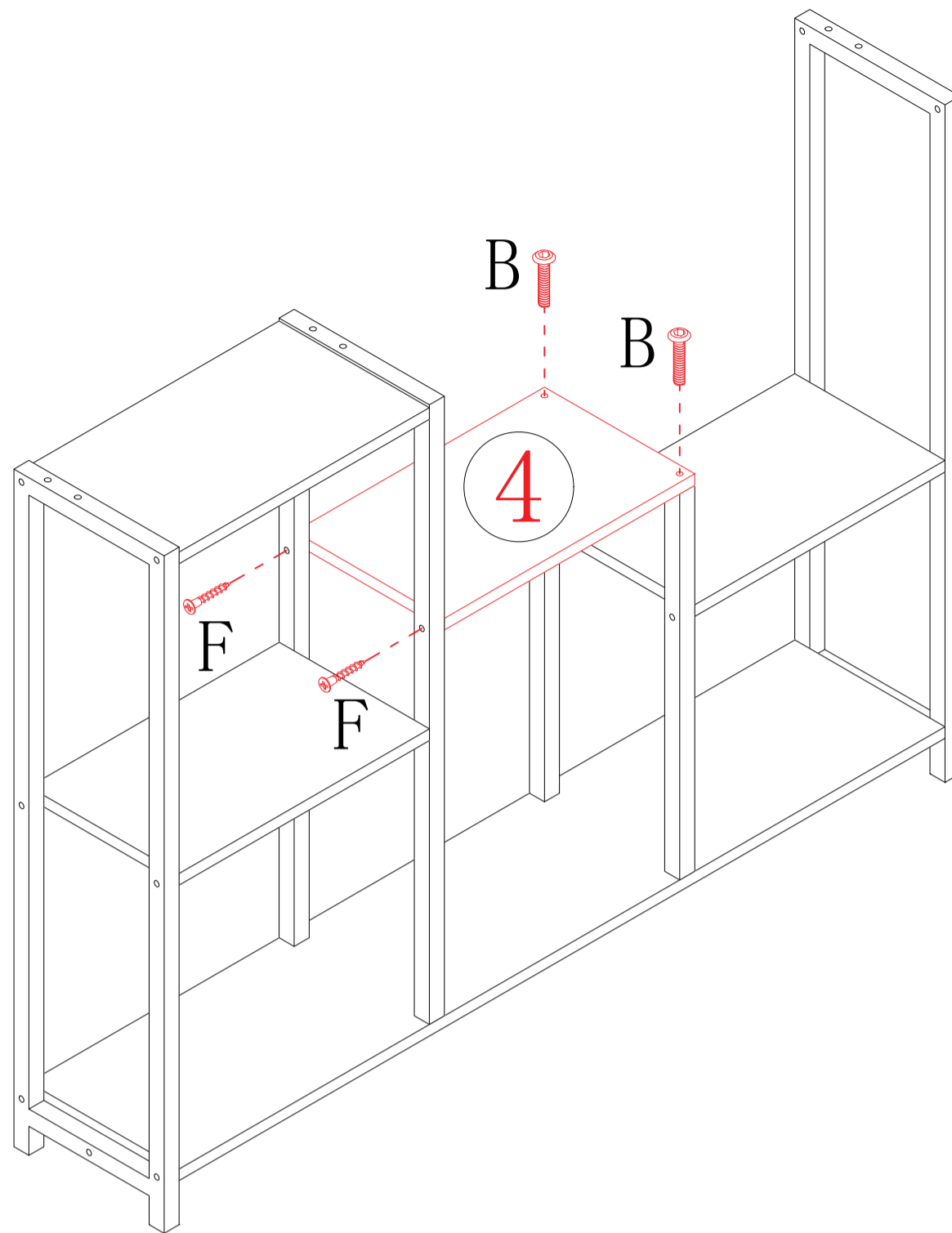
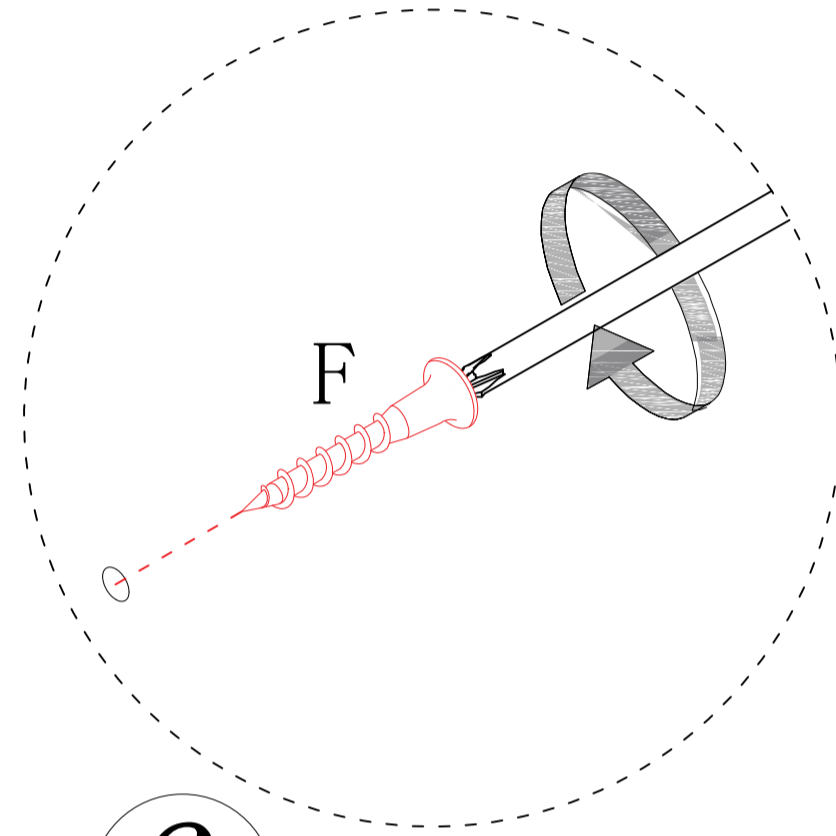
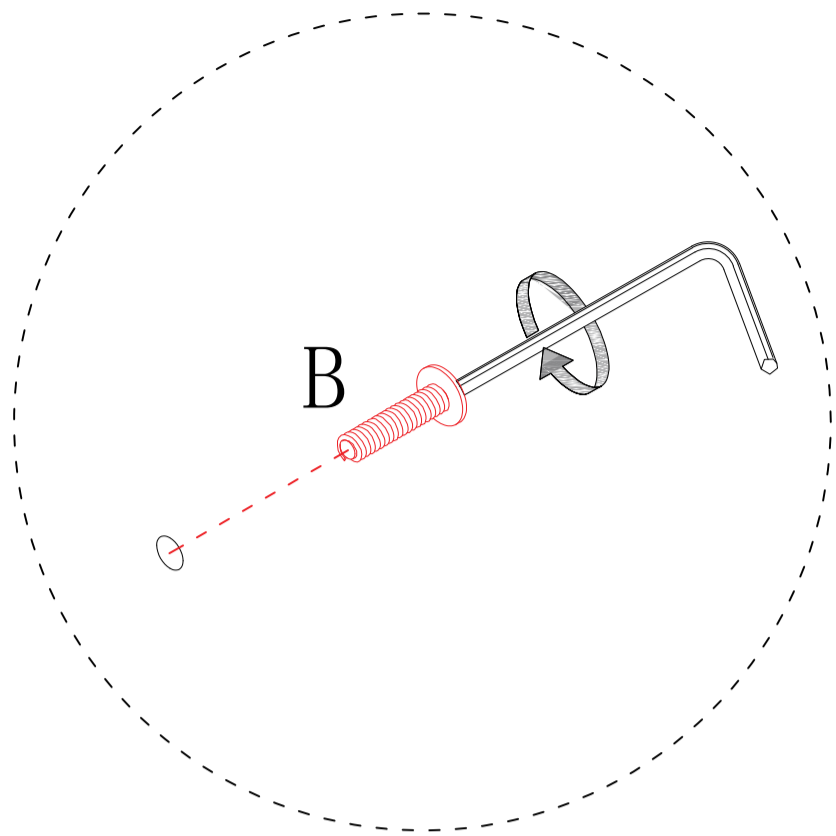
4



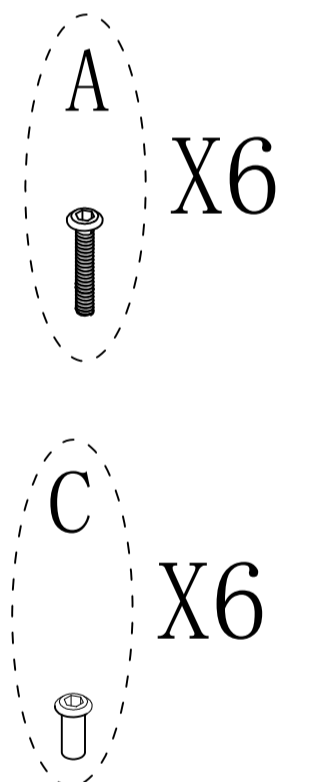
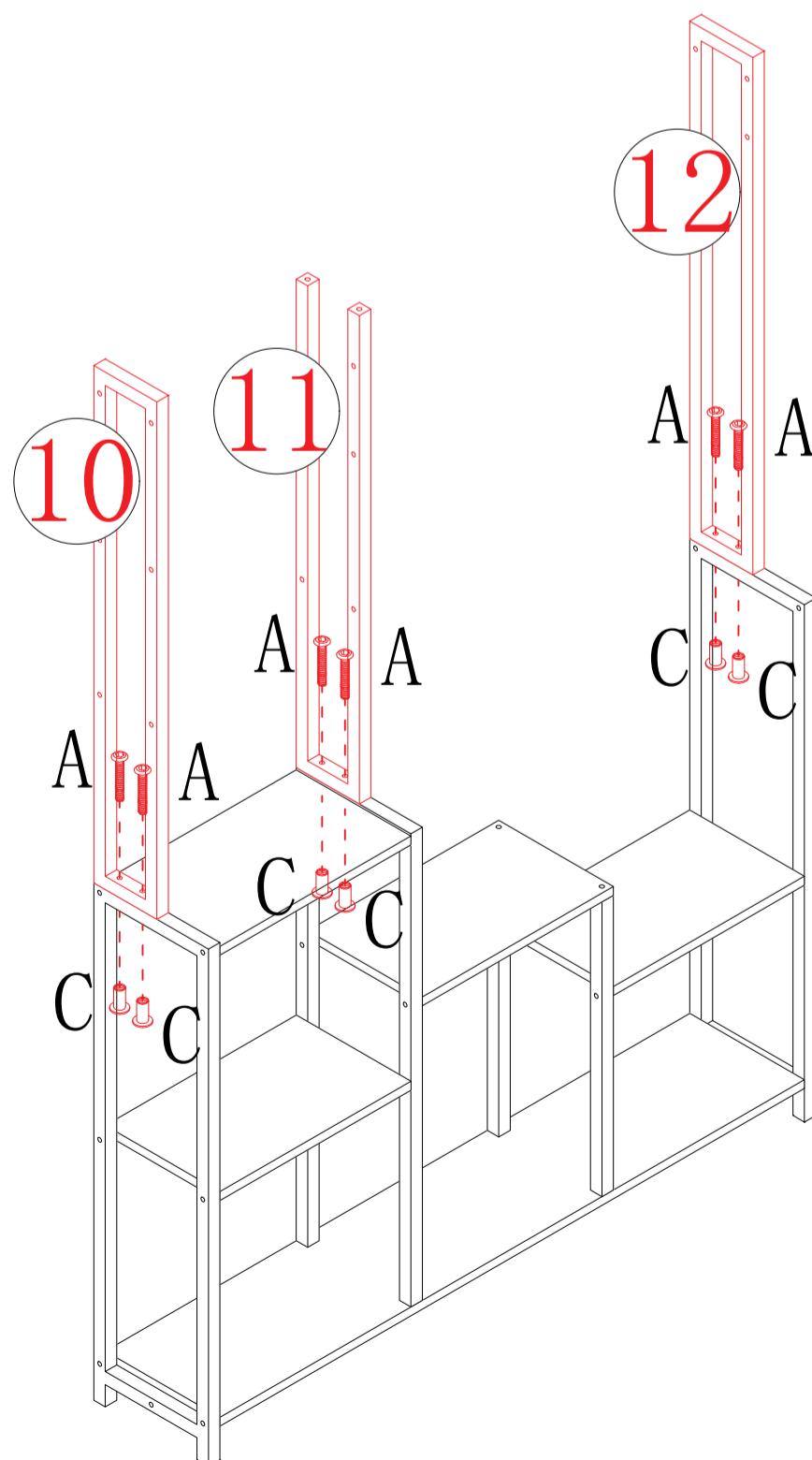
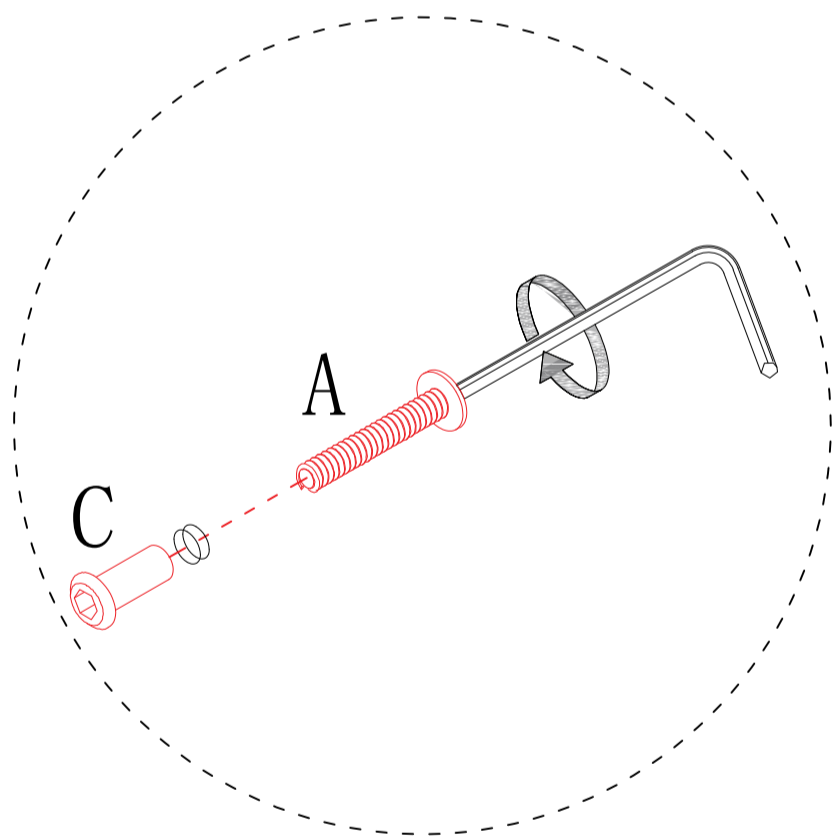
D X12

A small diagram of a red screw labeled 'D' enclosed in a dashed oval.

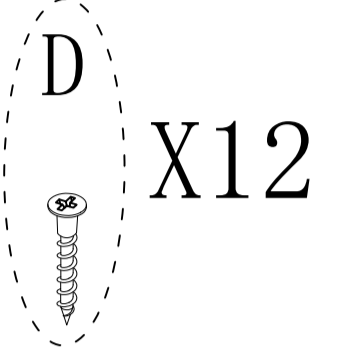
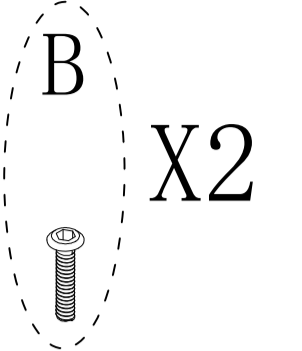
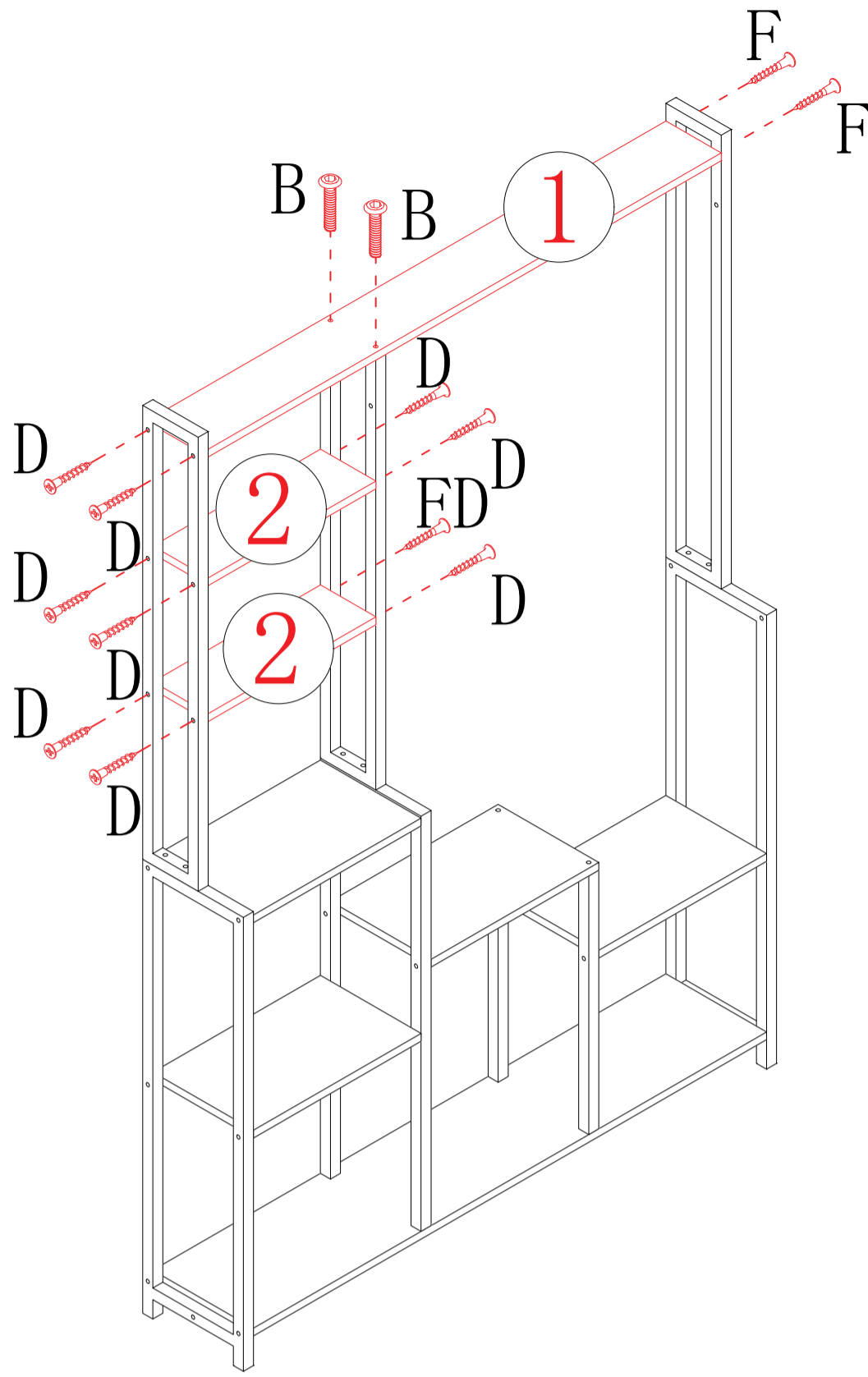
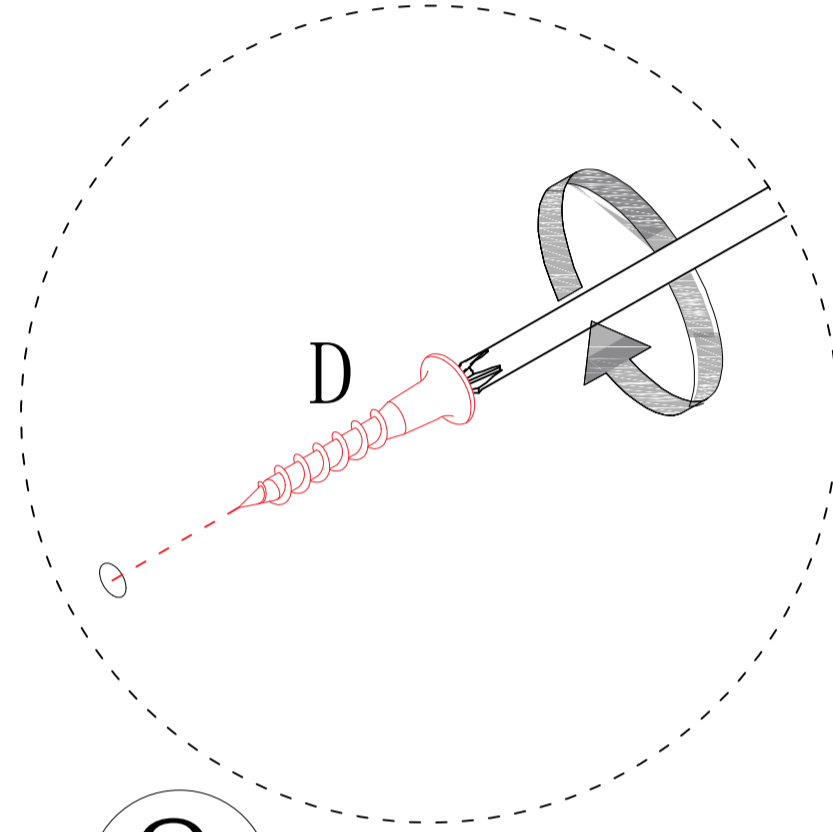
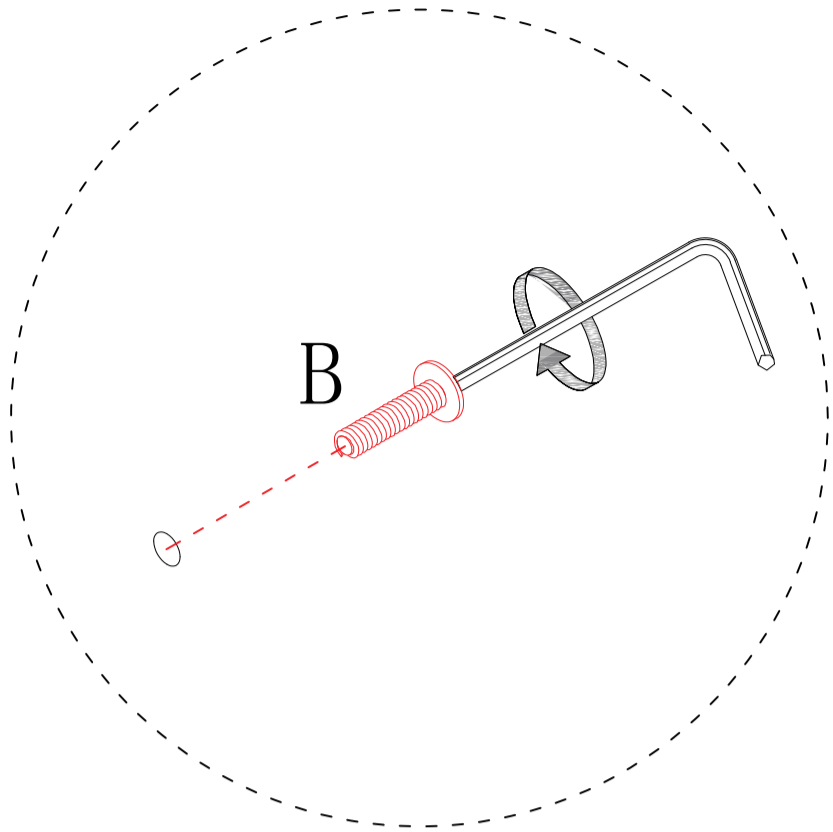
5



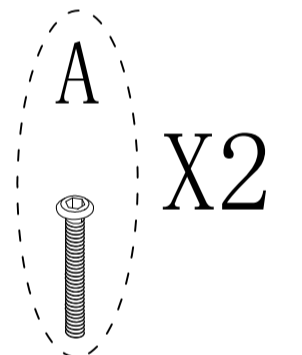
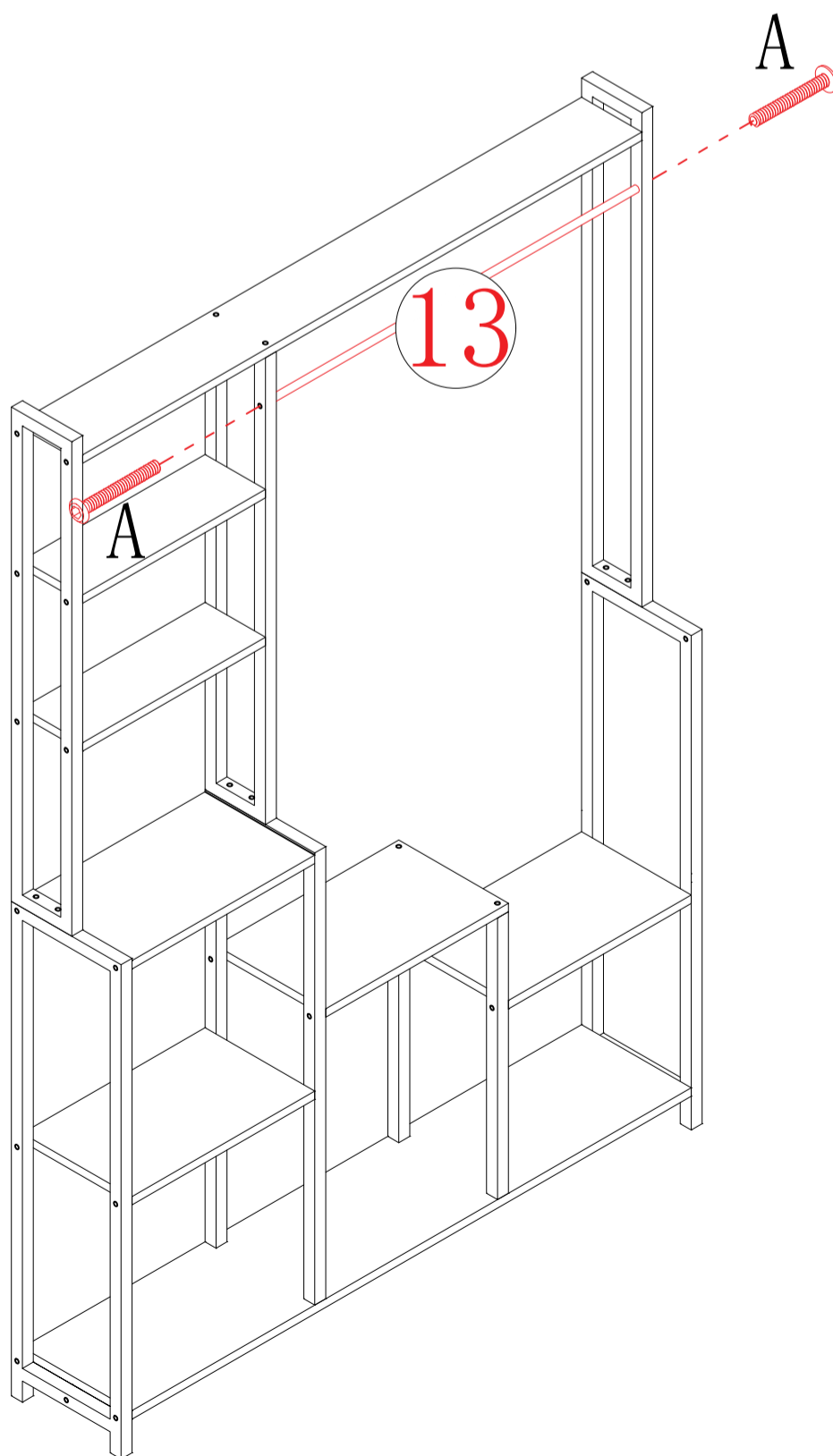
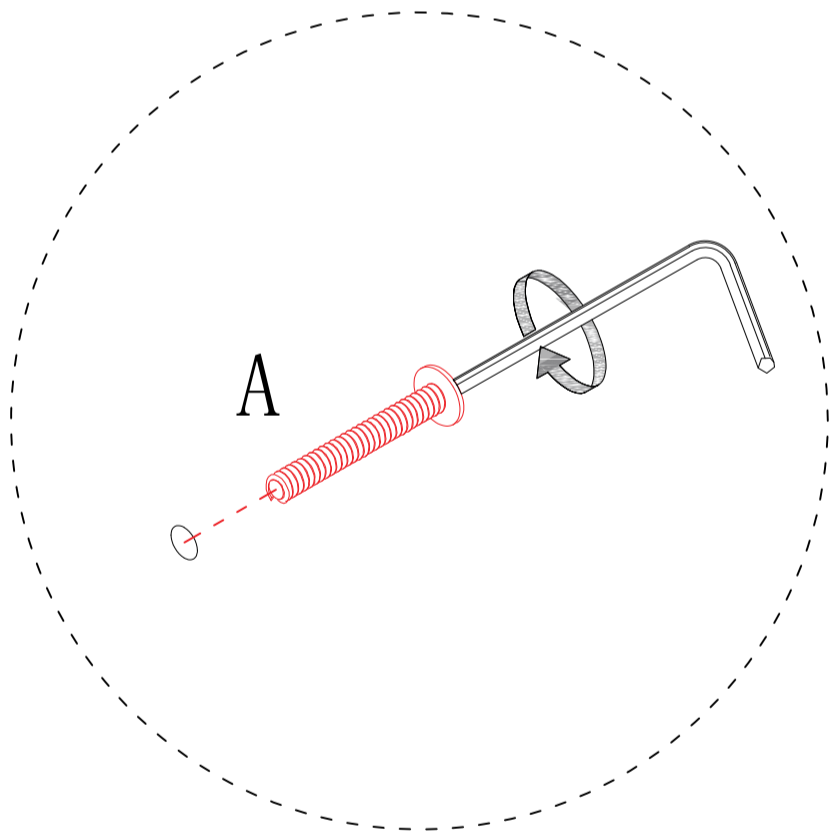
6



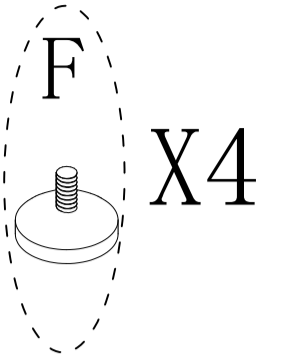
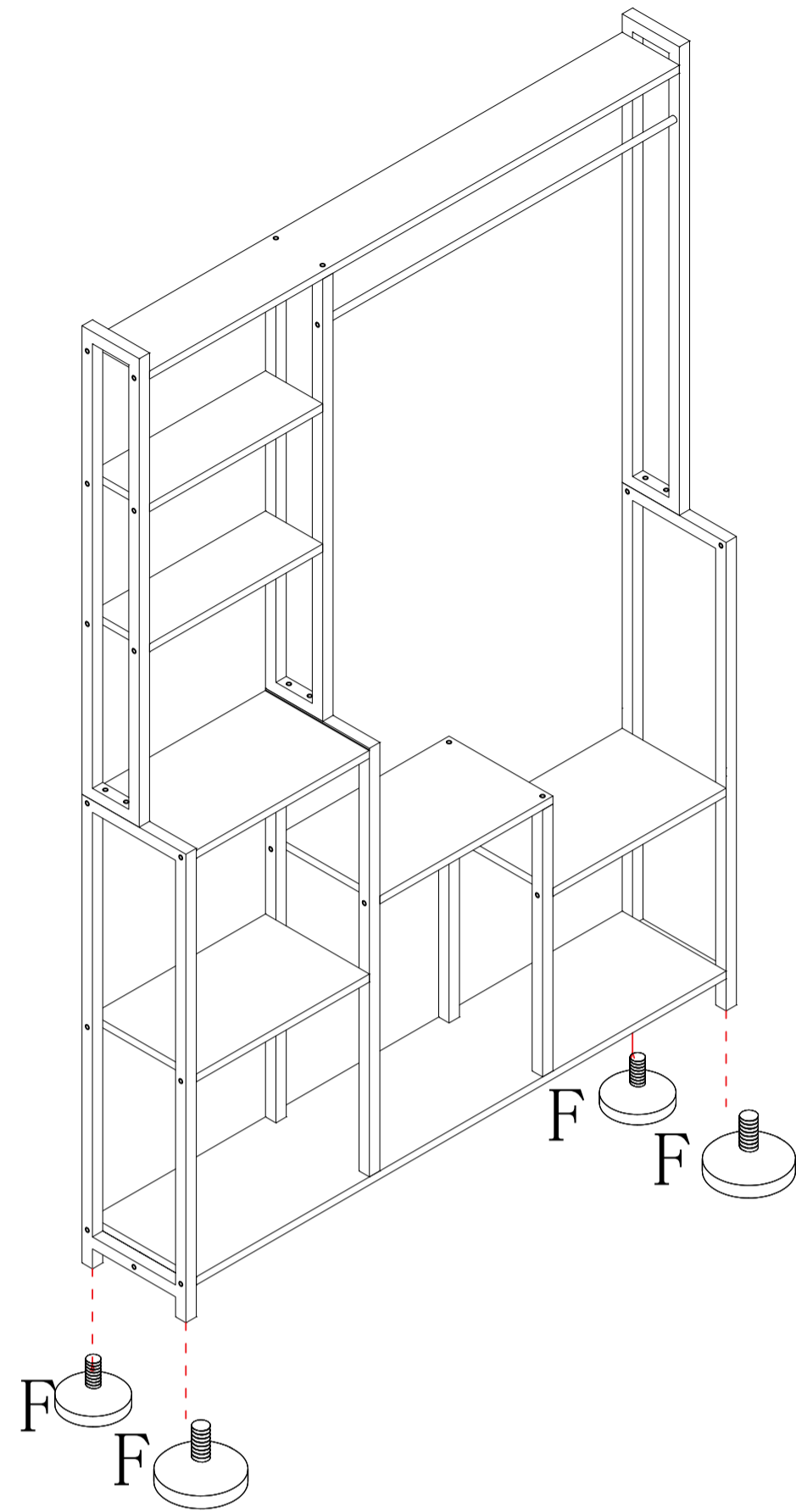
7



8



9



10

