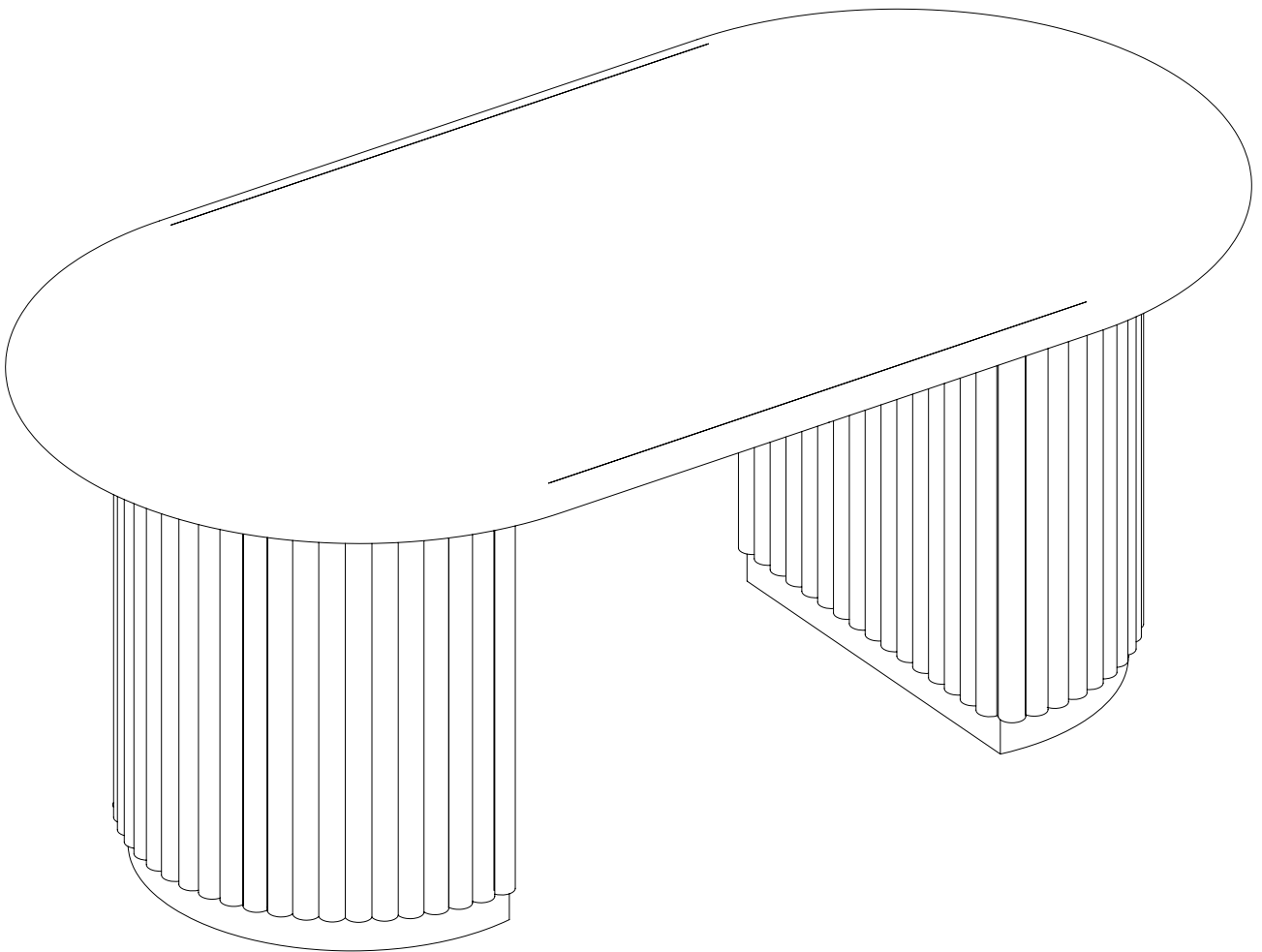



Instruction Book

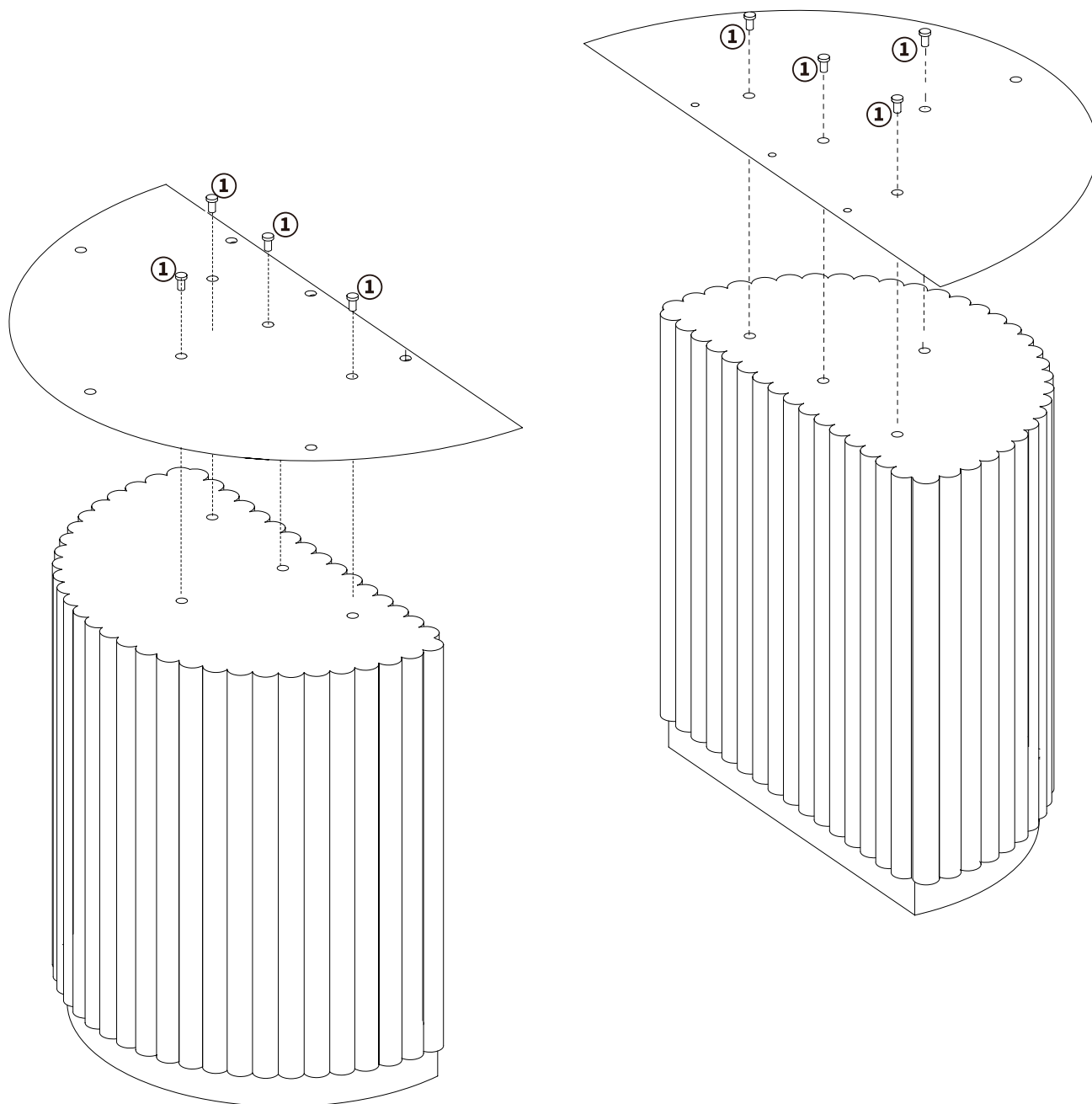


DINNING TABLE

Instruction Book

STEP 1

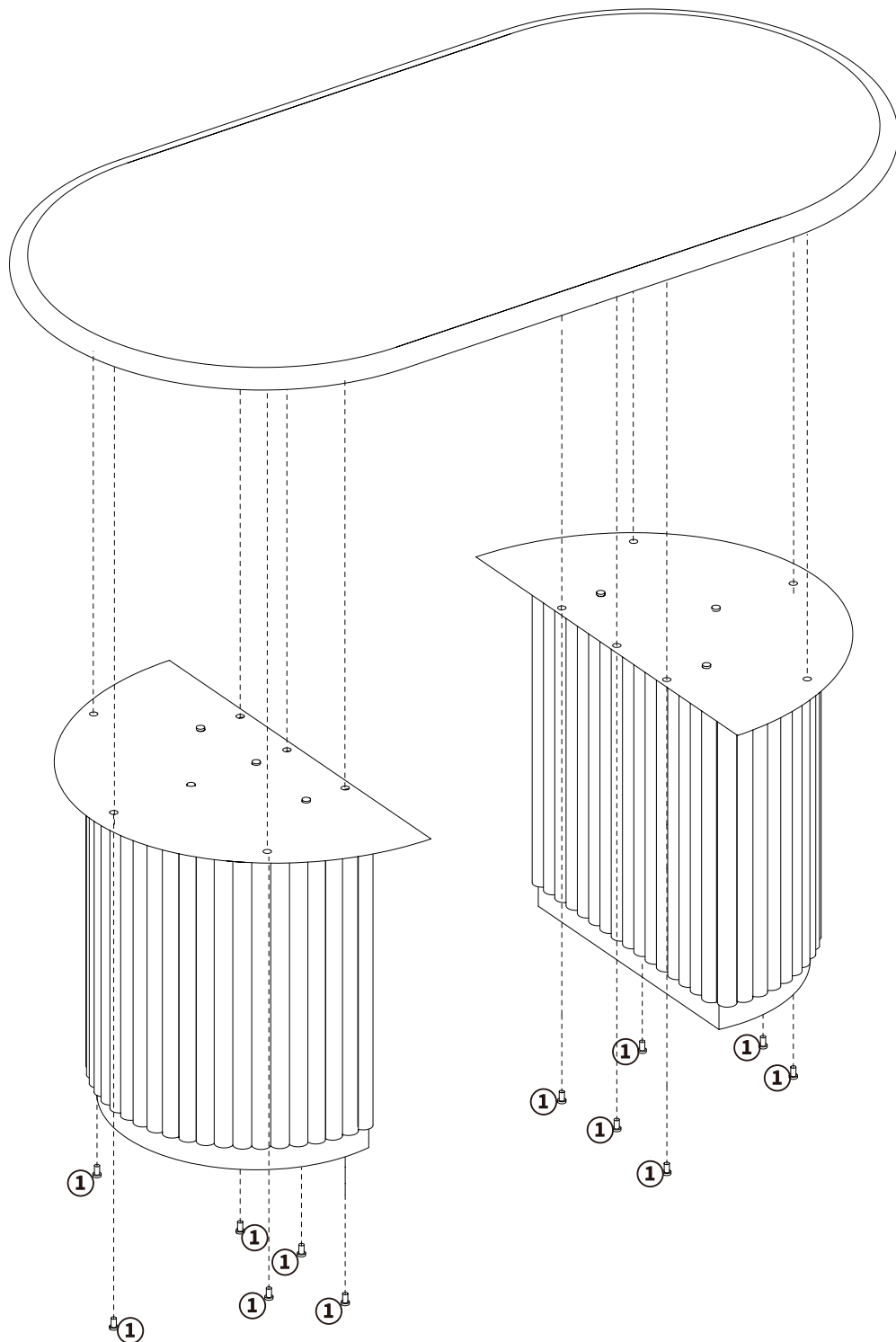
①		X 8
---	---	-----



Instruction Book

STEP 2

①		X 12
---	---	------



Instruction Book

STEP 3

