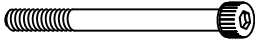


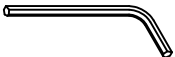


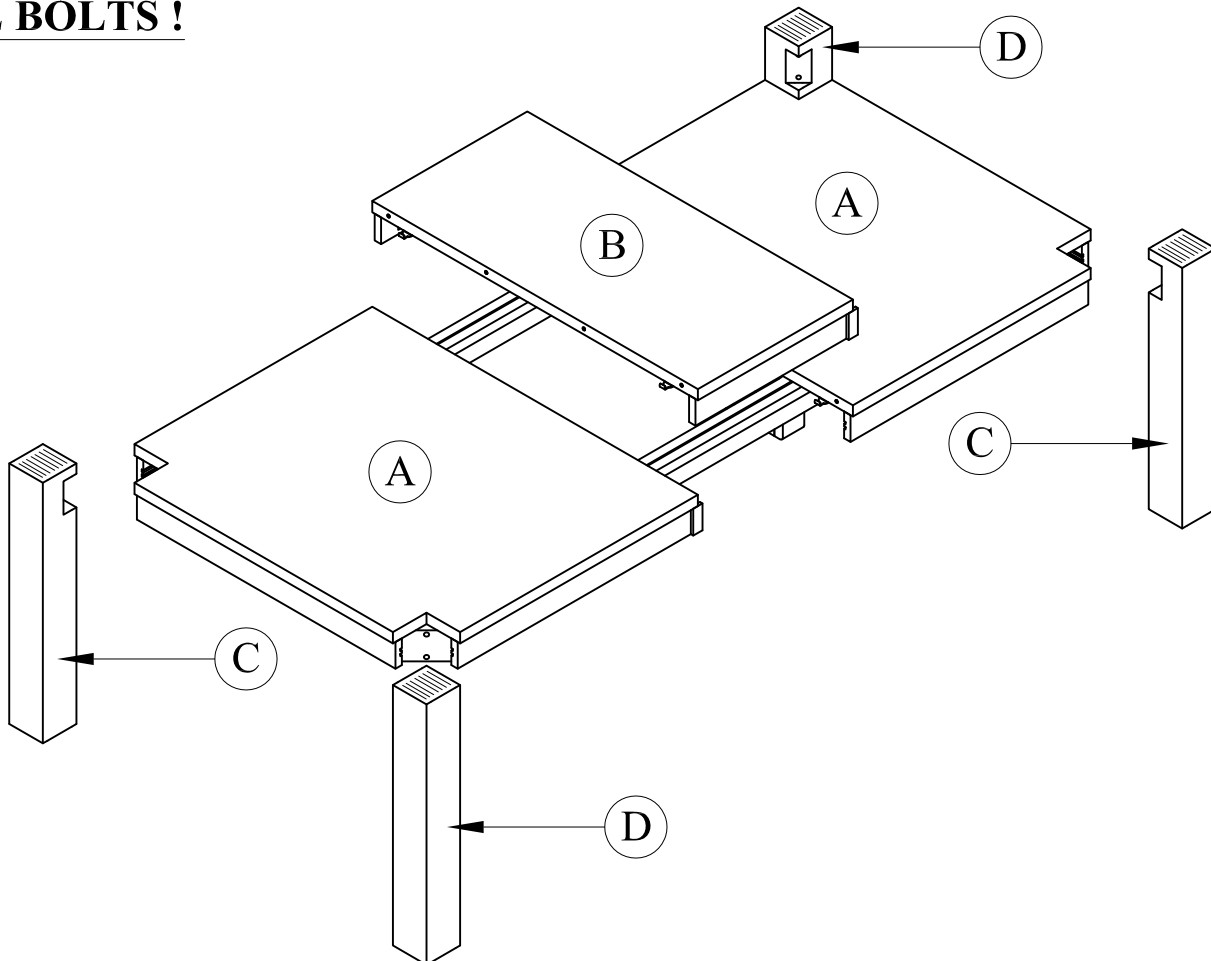
## ASSEMBLY INSTRUCTIONS

Thank you for purchasing this quality product. Be sure to check all packing material carefully for small parts, which may have come loose inside the carton during shipment. Identify and count all parts and compare with the Hardware List below.

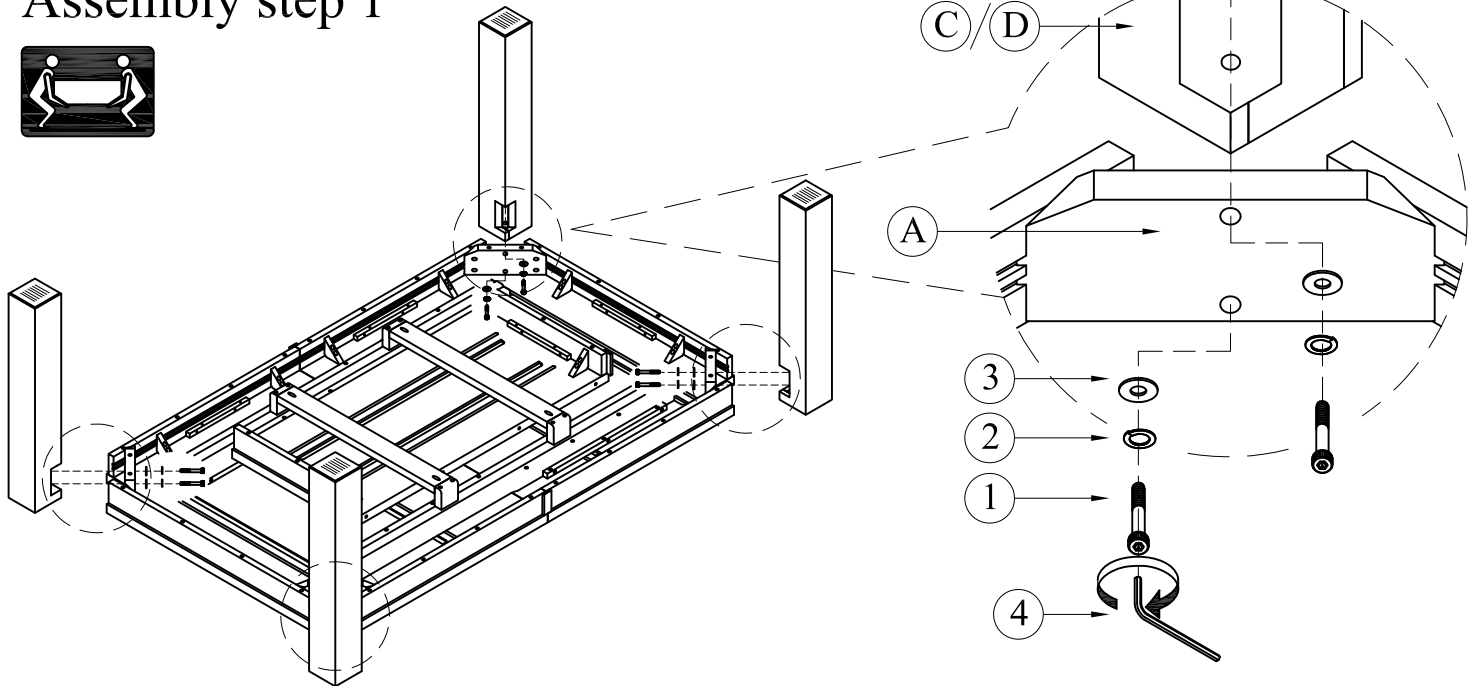
	No.	Description	Qty
<b>ANACORTES LEG TABLE</b>	A	Table top	1
	B	Table extension leaf	1
	C	Table legs	2
	D	Table legs	2

	No.	Picture	Description	Dimension	Qty
<b>HARDWARE</b>	1		Machine bolt	M8 x 70 mm	8
	2		Lock washer	Ø13xØ8x2 mm	8
	3		Flat washer	Ø22xØ8x5 mm	8
	4		Allen key	L6	1

**DO NOT OVERTIGHTEN  
THE BOLTS !**

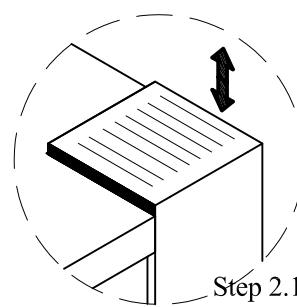
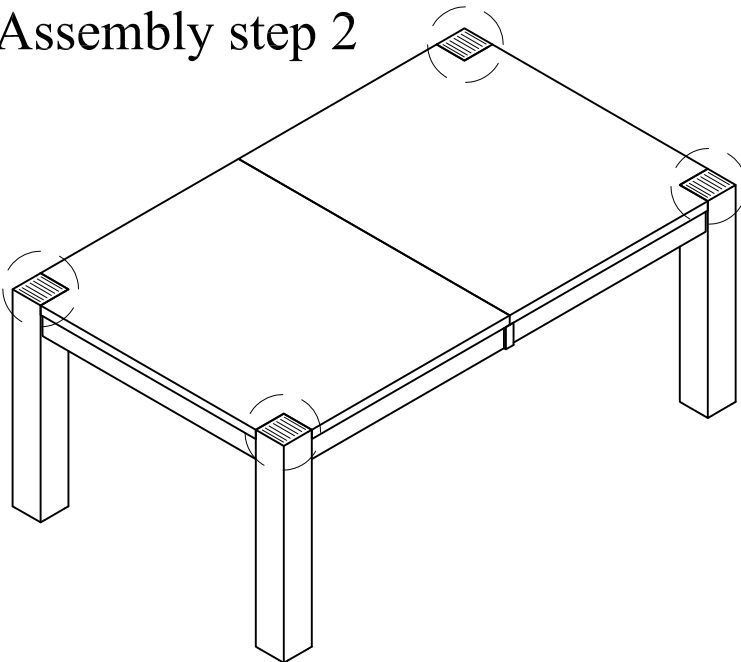


## Assembly step 1

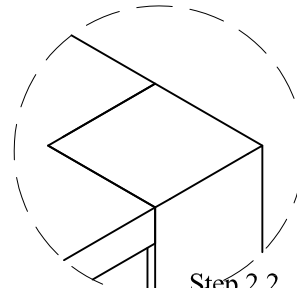


**NOTE: DO NOT TIGHTENED ALL THE BOLTS !**

## Assembly step 2



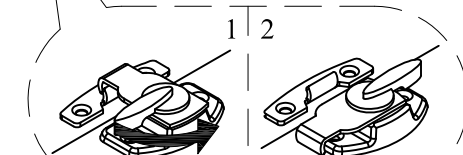
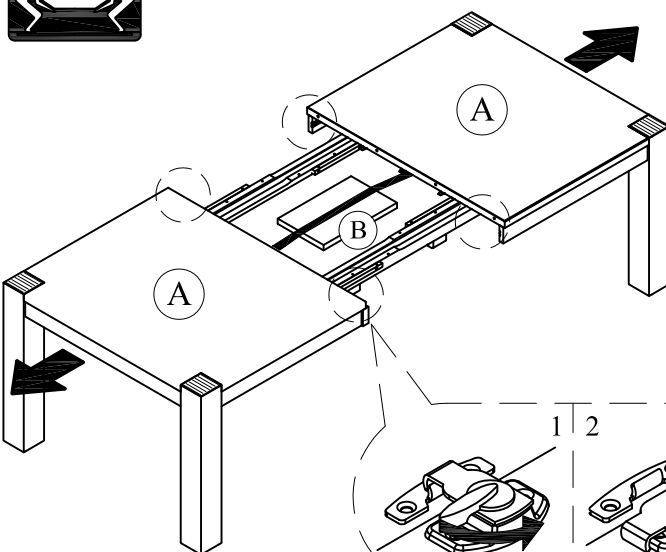
Step 2.1  
Adjust the leg until flat with table top.



Step 2.2  
Tightened all bolts leg on the bottom.  
See Step.1

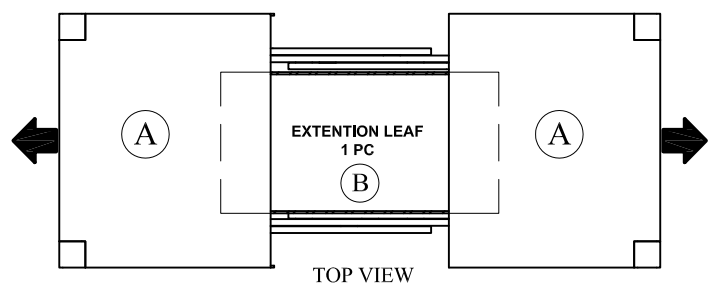
Assembly Completed  
( without table extension leaf )

## Assembly step 3

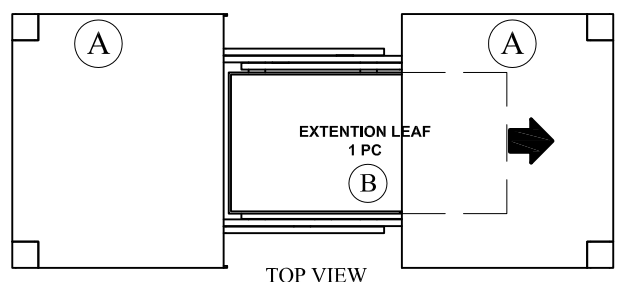


Step 3.1  
Release all leaf locks

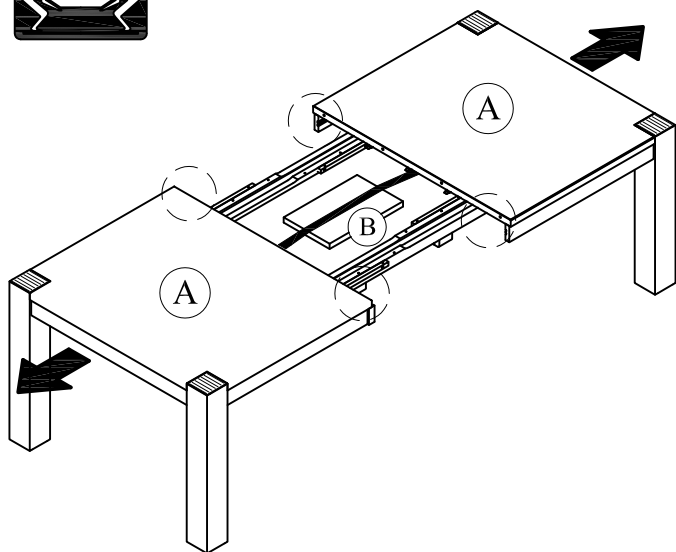
Step 3.2  
Open up the table top by pulling the ends apart.



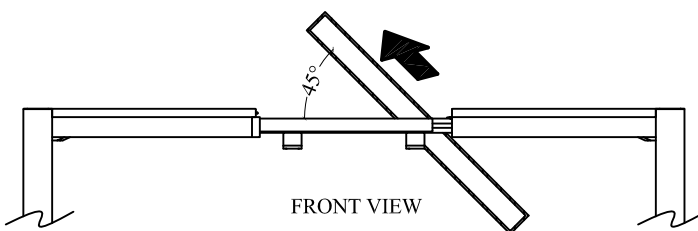
Step 3.3  
move extension table box in the direction of the arrow.



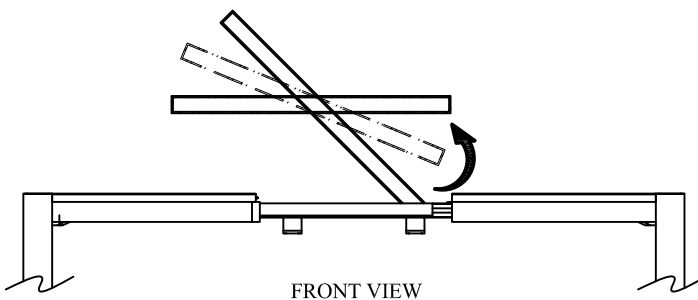
## Assembly step 4



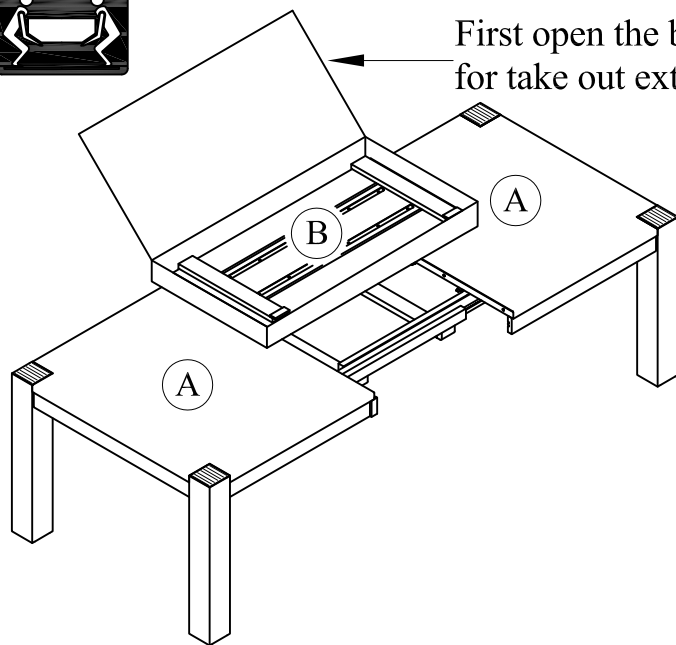
Step 4.1  
Extension table box in a position  $\angle 45^\circ$ , and pull out extension table box.



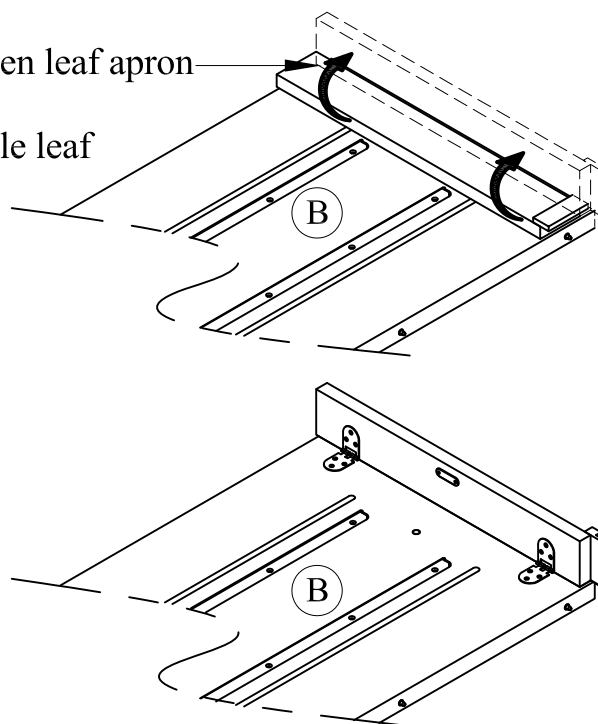
Step 4.2  
Extension table box in a flat position.



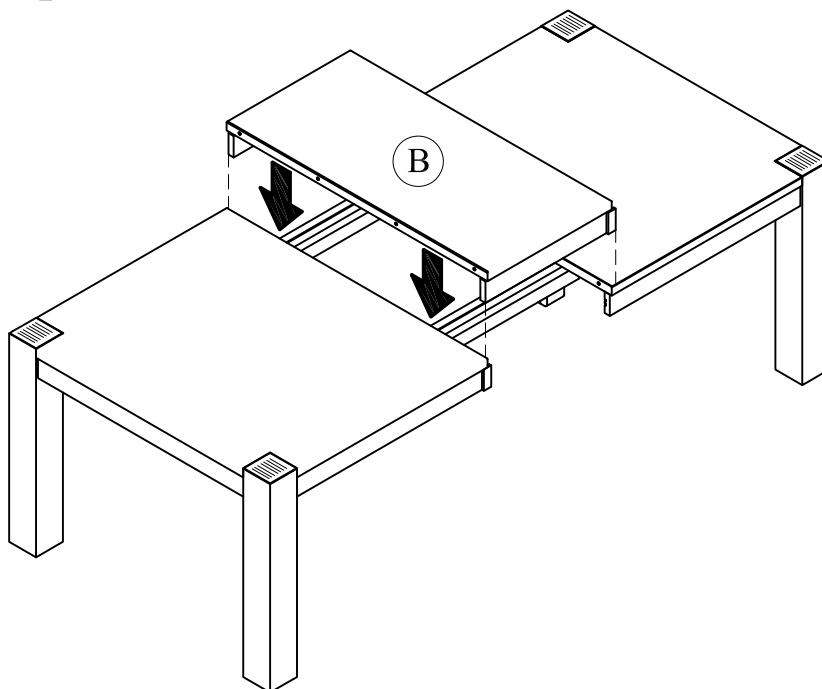
## Assembly step 5



Open leaf apron



## Assembly step 6

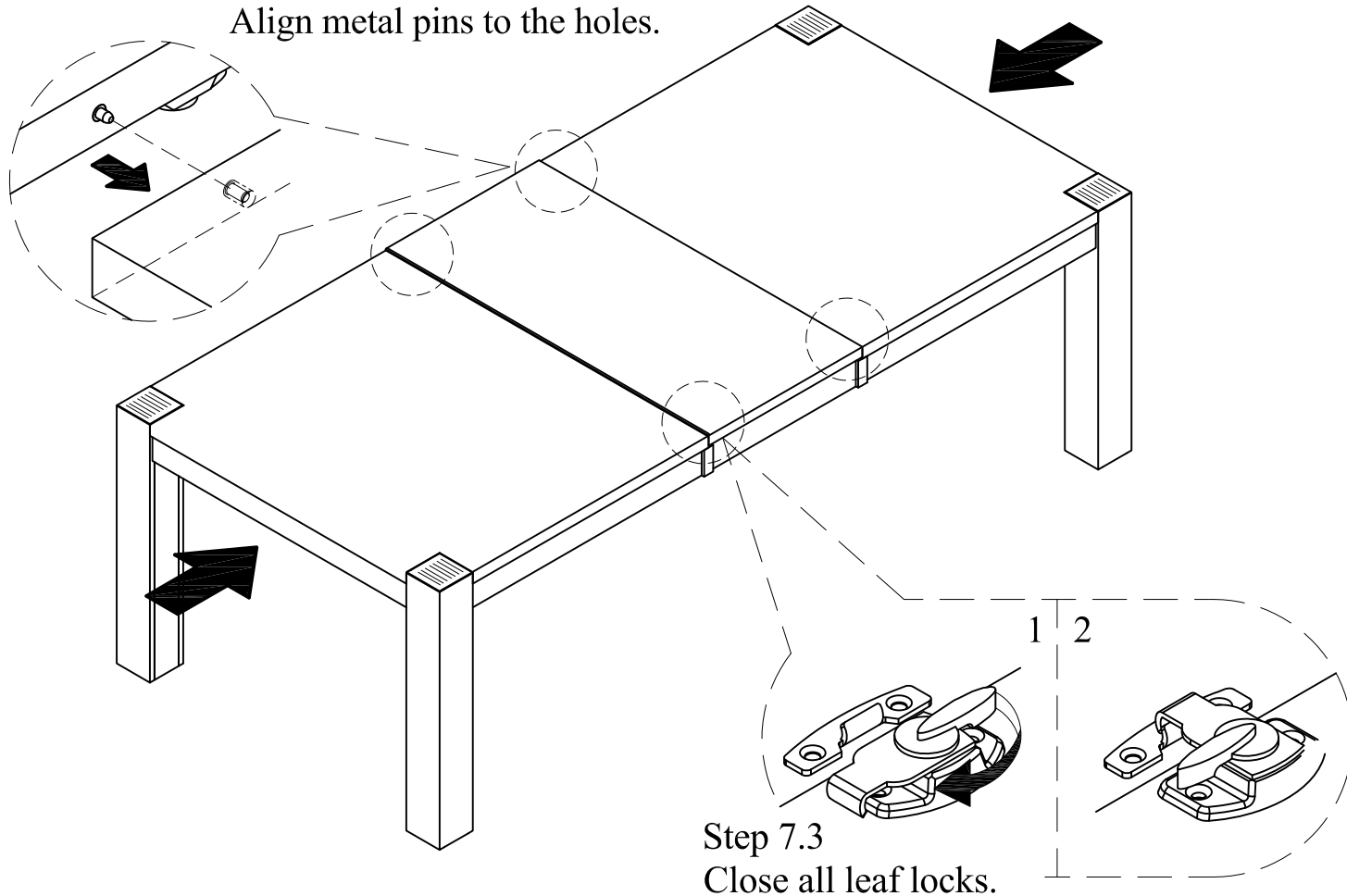


## Assembly step 7

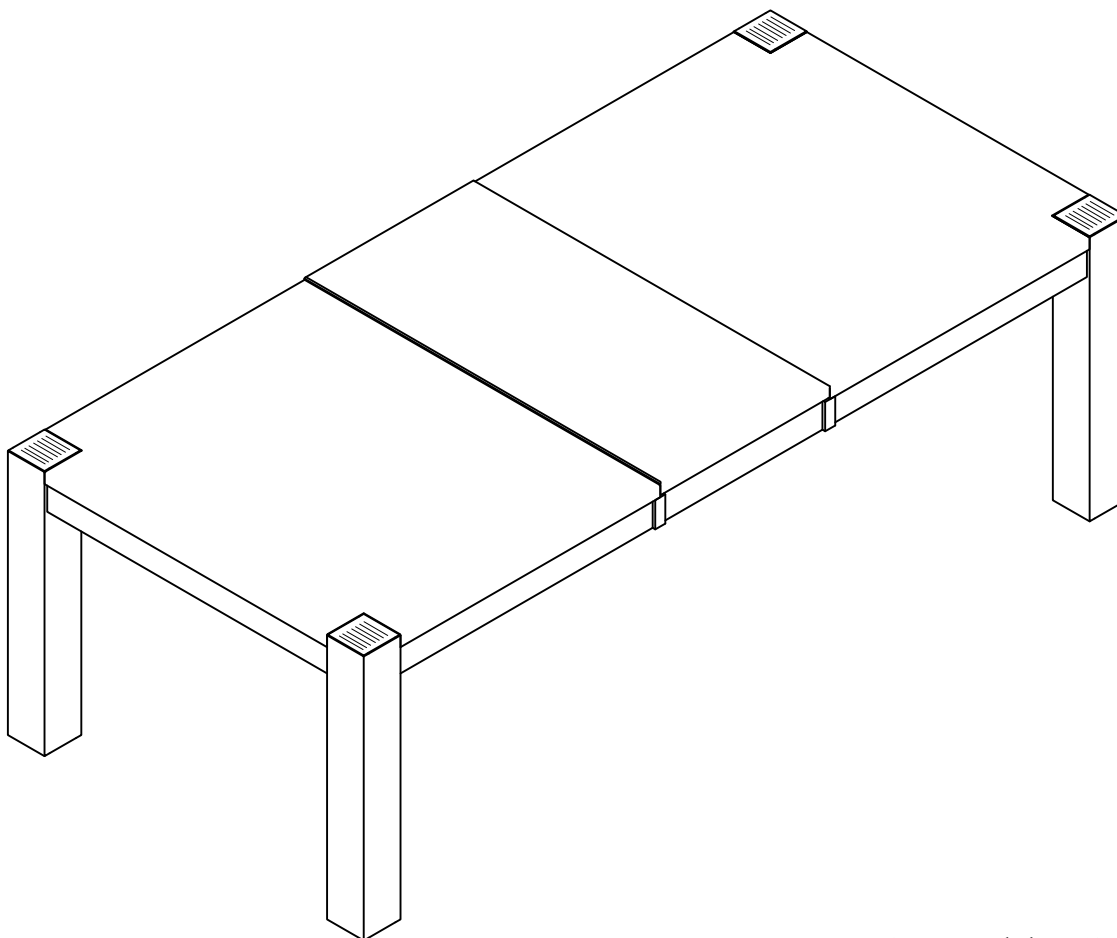


Step 7.1  
Align metal pins to the holes.

Step 7.2  
push the table top until all pins close.



## Assembly step 8



Assembly Completed  
( with table extension leaf )