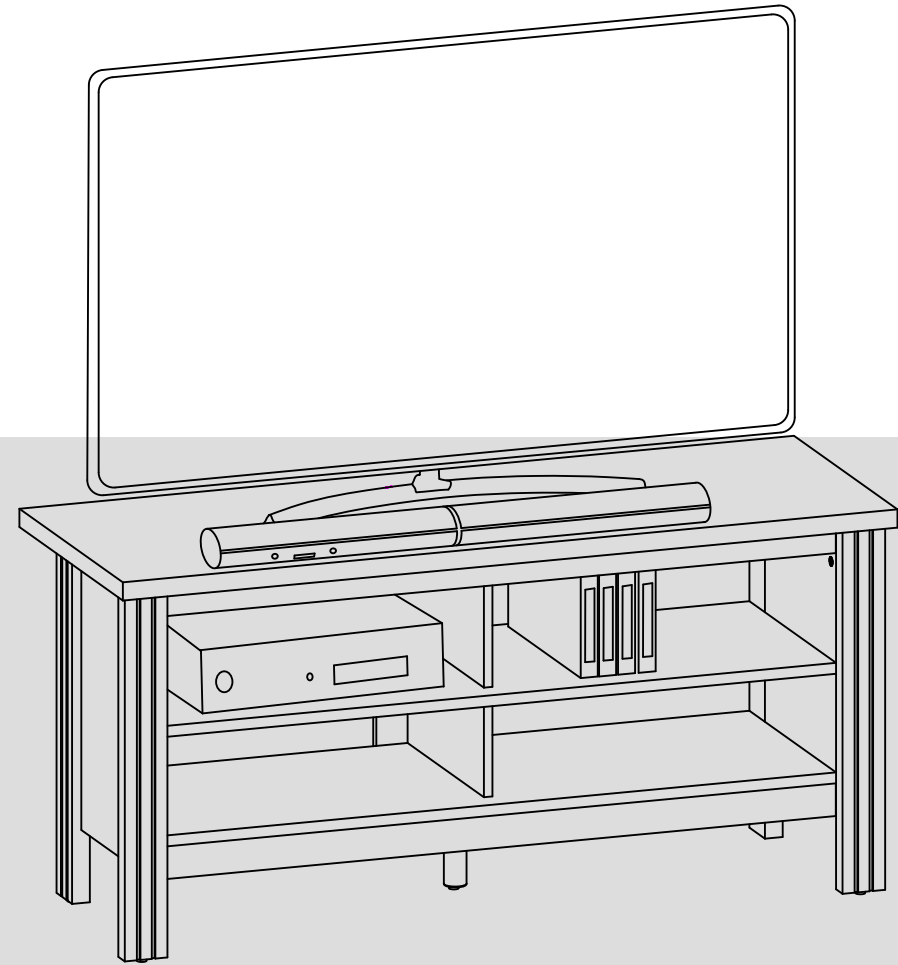
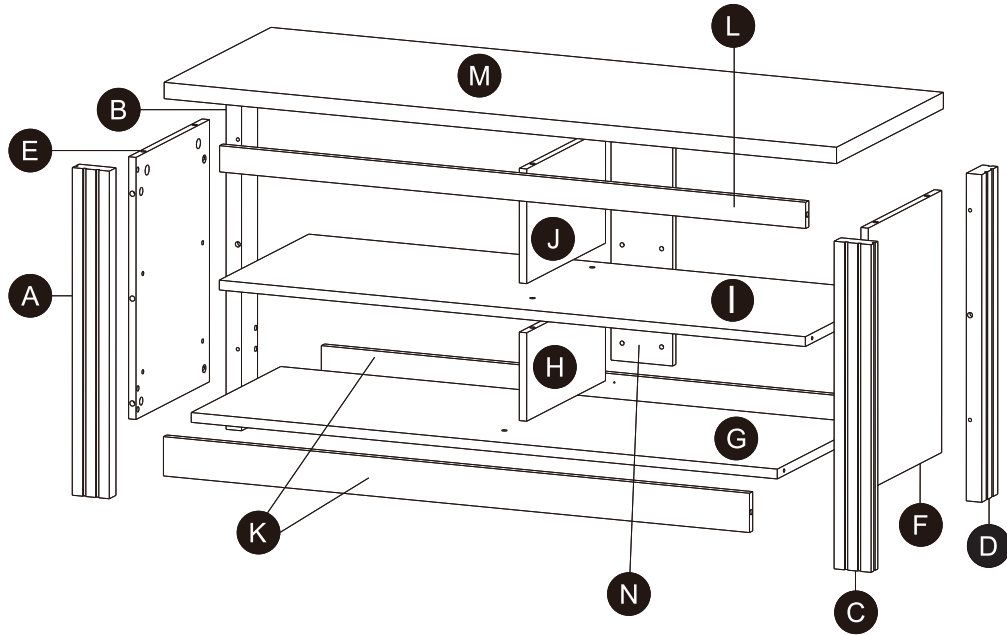




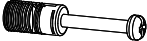




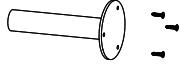

TV STAND



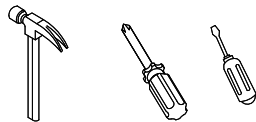
IMPORTANT : please read this manual carefully before beginning assembly of this product. keep this manual for future reference.

WHAT'S IN THE BOX



| | | |
|---|--|---|
| <p>I x8</p>  <p>JCBCW SCREW M6X45</p> | <p>II x1</p>  <p>M4 ALLEN KEY</p> | <p>III x30</p>  <p>CAM BOLT</p> |
| <p>IV x8</p>  <p>CAM BOLT(SMALL)</p> | <p>V x38</p>  <p>CAM LOCK</p> | <p>VI x5</p>  <p>PVC NAIL WITH PIN</p> |
| <p>VII x8</p>  <p>M8x30 WOOD DOWEL</p> | <p>VIII x1</p>  <p>PLASTIC LEG & SCREW M3.5x16</p> | <p>IX x12</p>  <p>STICKER</p> |

Tools Required (Not included)



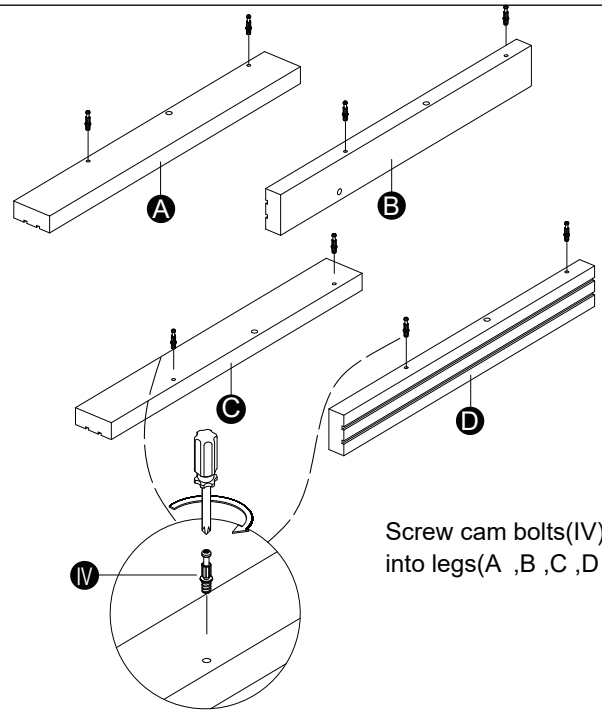
★ Thank you for choosing our products please read the instructions carefully before installation, and please keep the instructions properly

Tips and tricks

1. Do not attempt to move this furniture without first removing all equipment
2. Death or serious injury may occur when children climb on audio and/or video equipment furniture. A remote control or toys placed on the furnishing may encourage a child to climb on the furnishing and as a result the furnishing may tip over onto the child.
3. Please contact us using the details shown for further advice

⚠ **WARNING** If any parts are missing or damaged, do not return the damaged item to your dealer; contact Customer Service. Never use damaged parts!

1

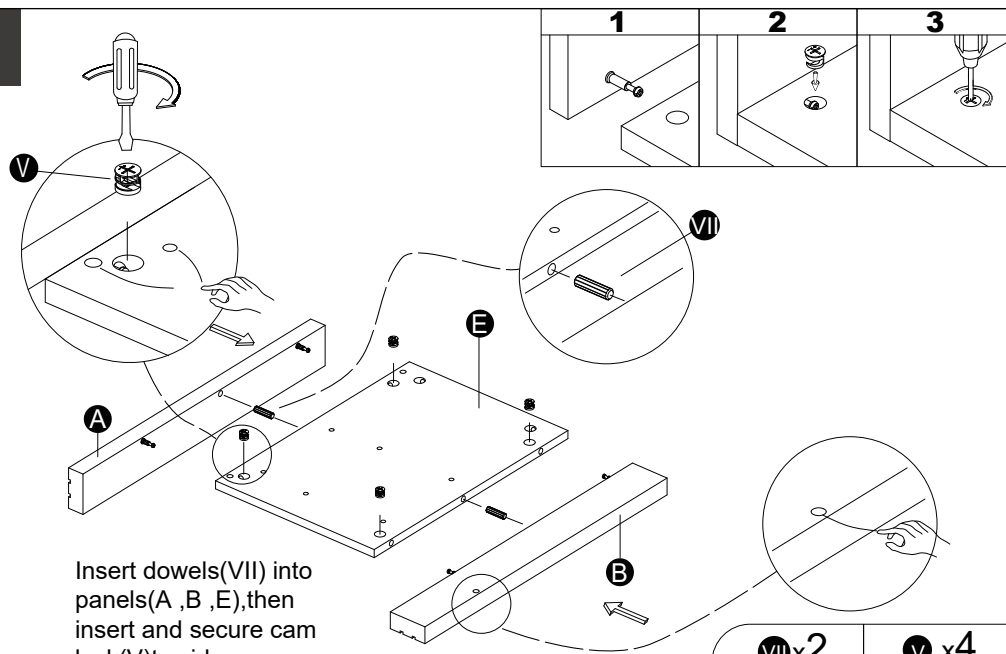


Screw cam bolts(IV)
into legs(A ,B ,C ,D)

IV x8



2



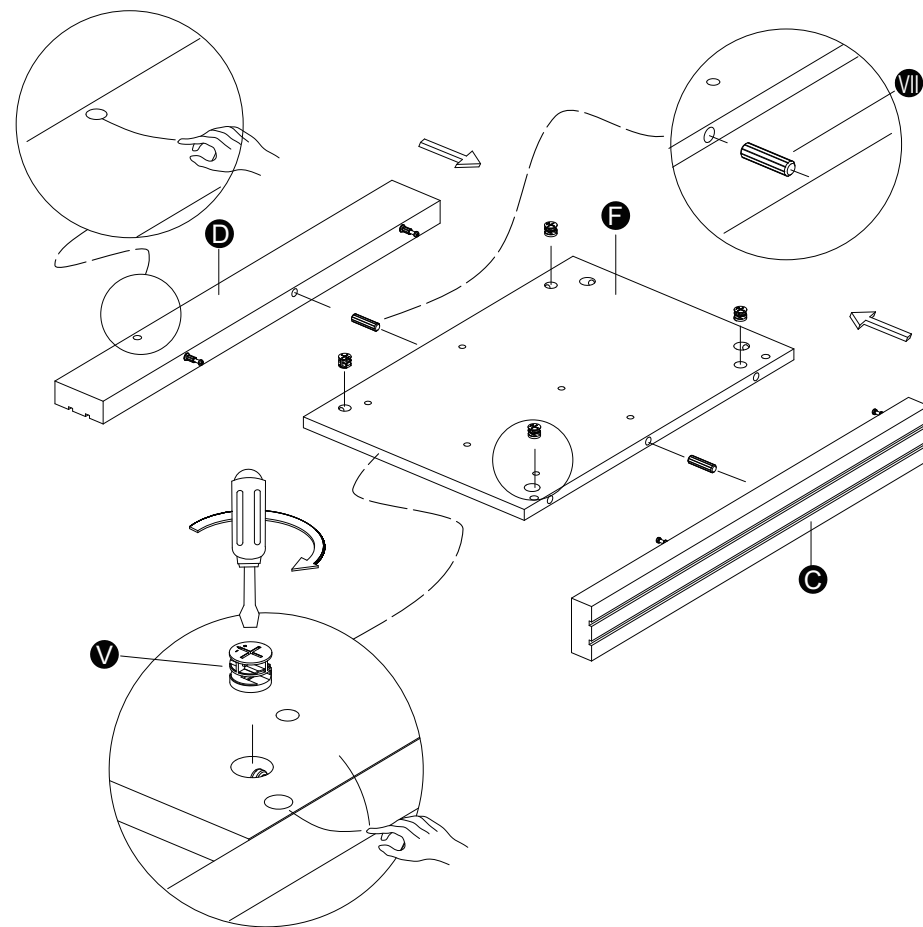
Insert dowels(VII) into
panels(A ,B ,E),then
insert and secure cam
lock(V)to side
panel (E)to lock it.

VII x2

V x4



3



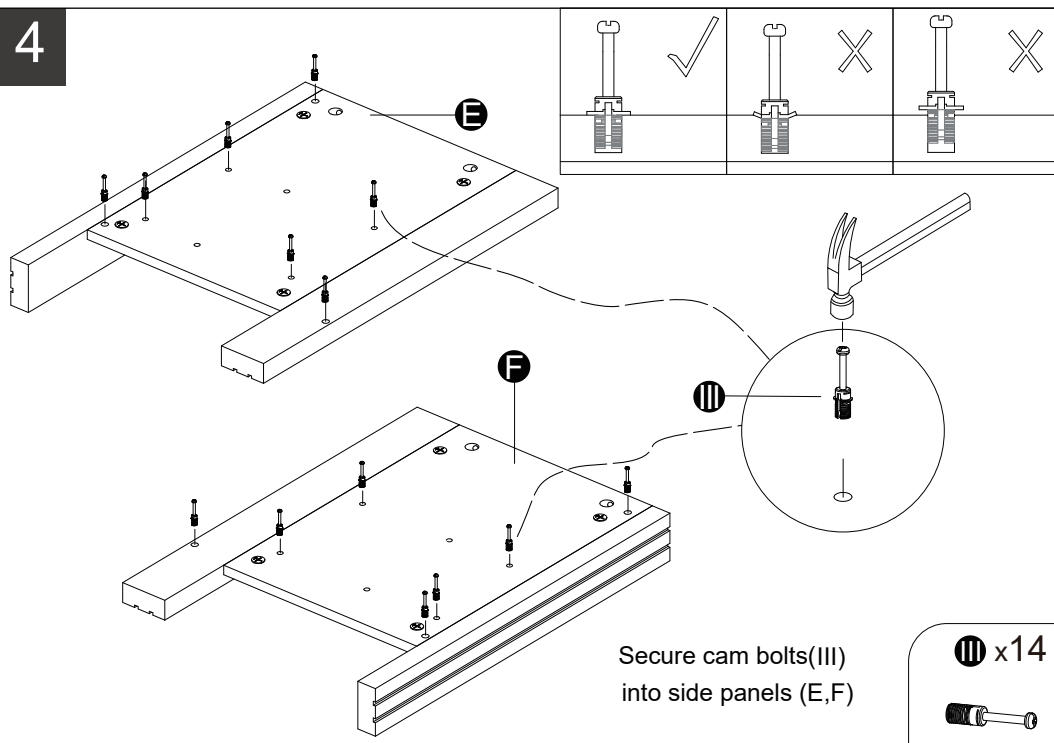
Insert dowels(VII) into panels(C ,D ,F).
then insert and secure cam
lock(V) to side panel (F)to lock it.

VII x2

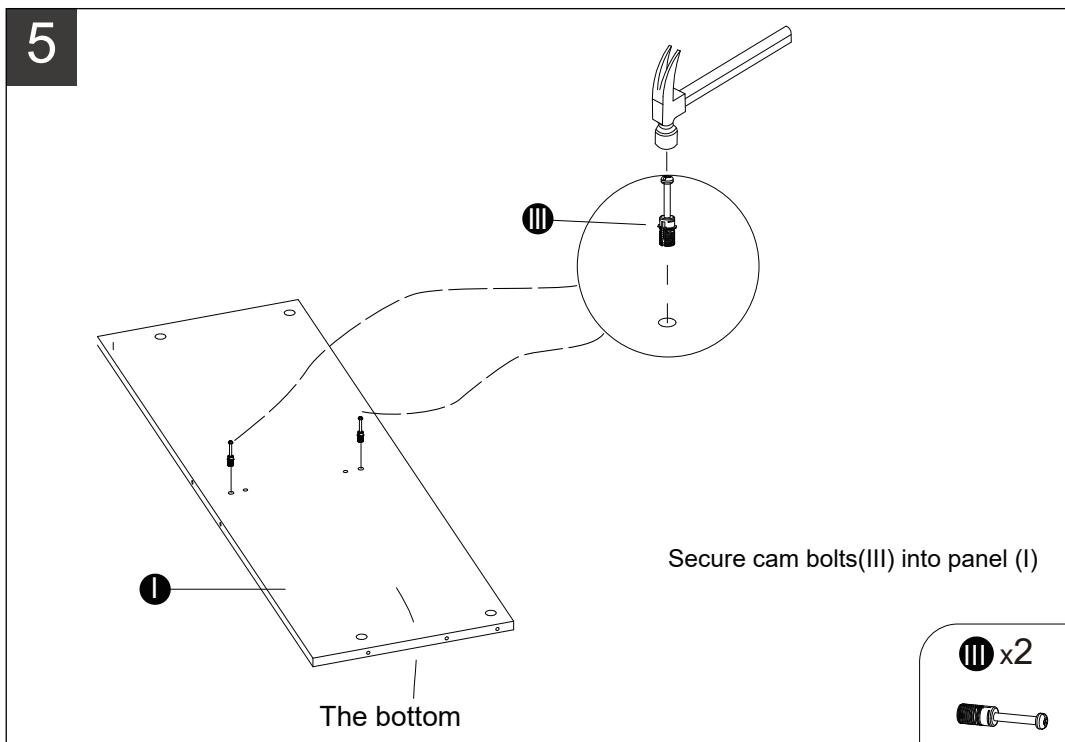
V x4



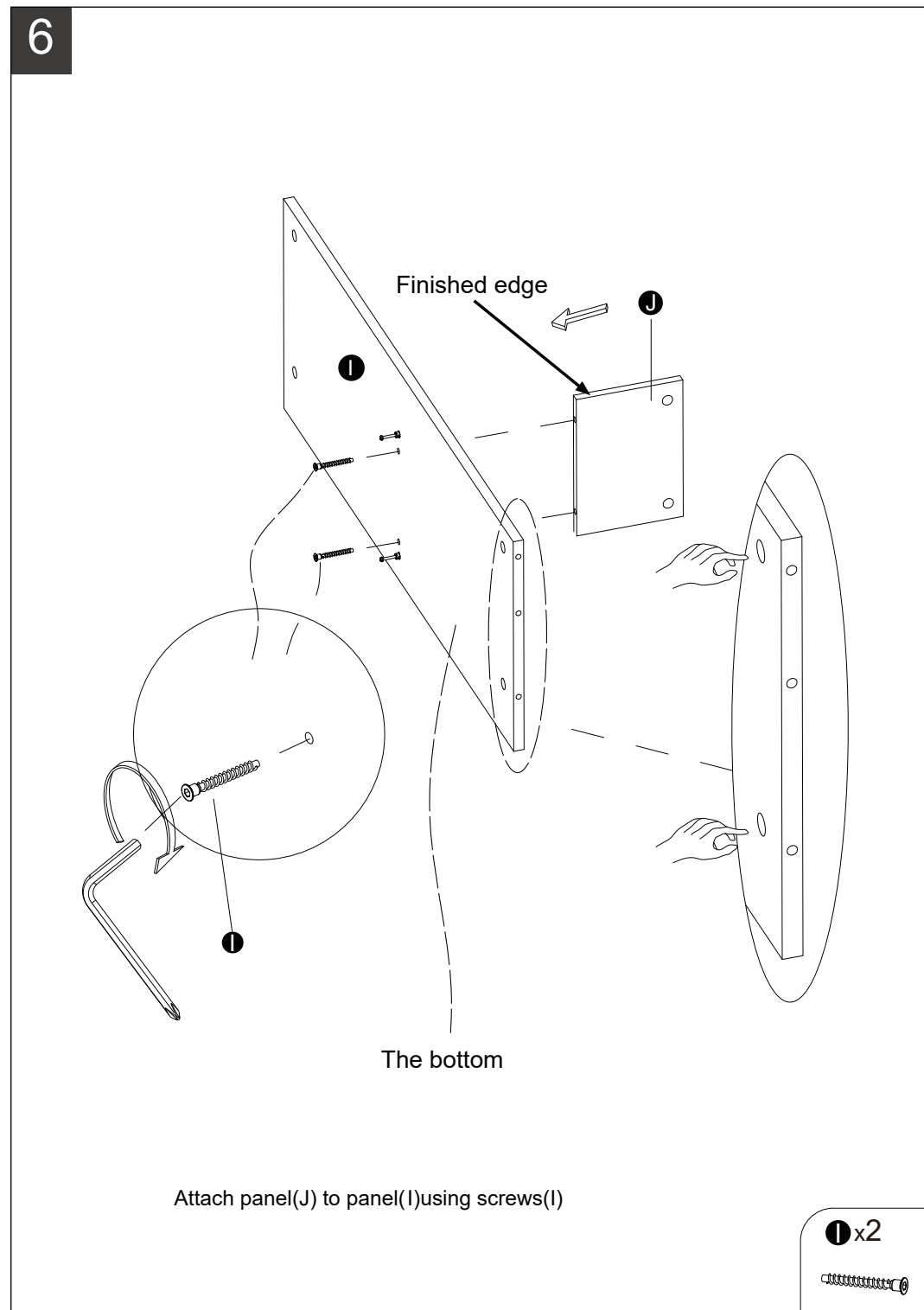
4



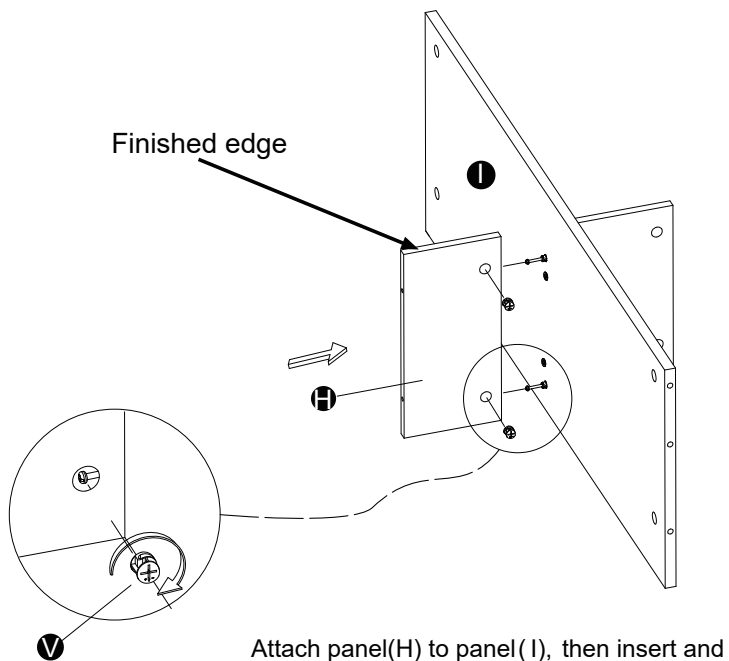
5



6



7

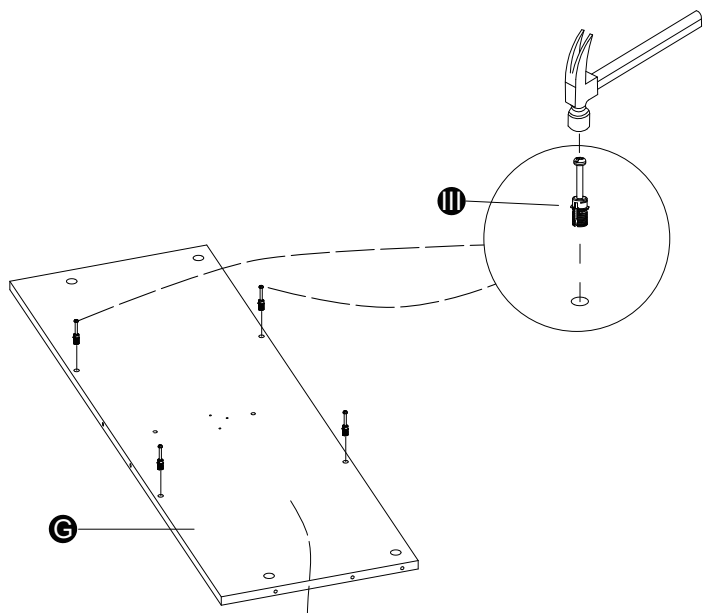


Attach panel(H) to panel(I), then insert and secure cam lock(V) to panel (H)to lock it.

V x2



8

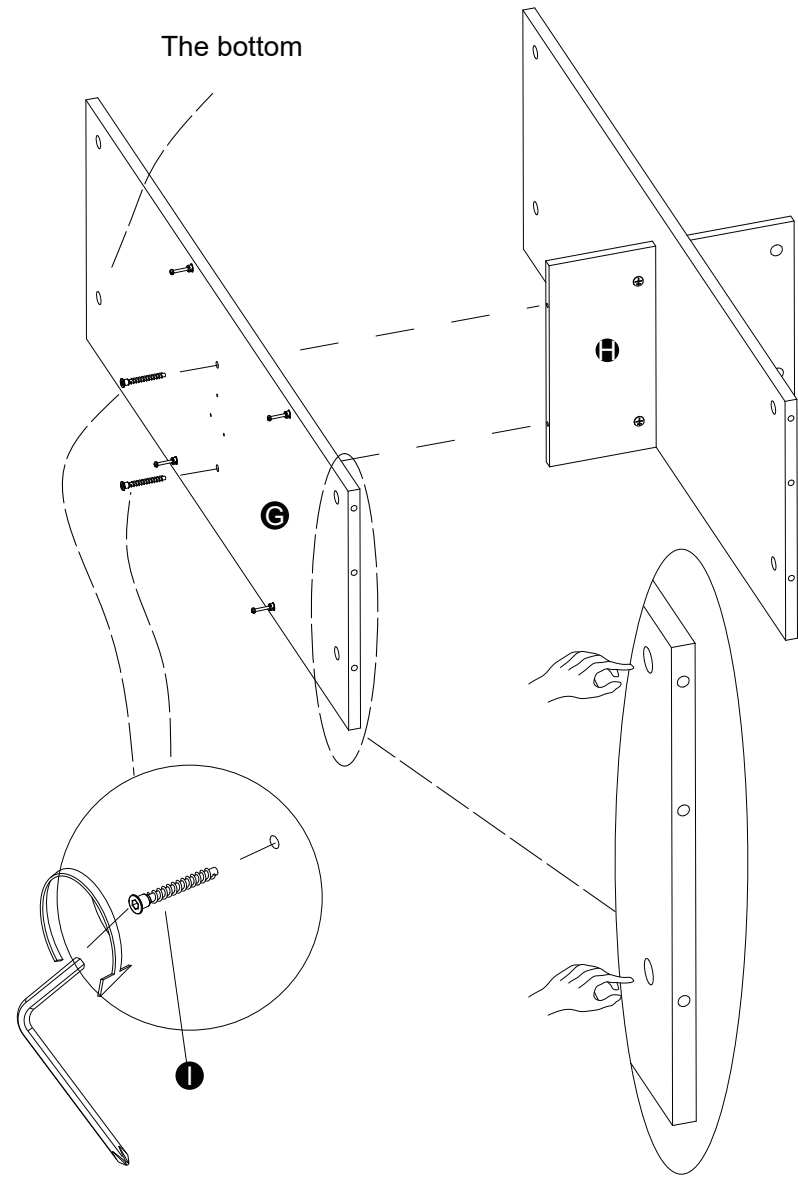


The bottom
Secure cam bolts(III) into panel (G)

III x4

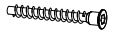


9

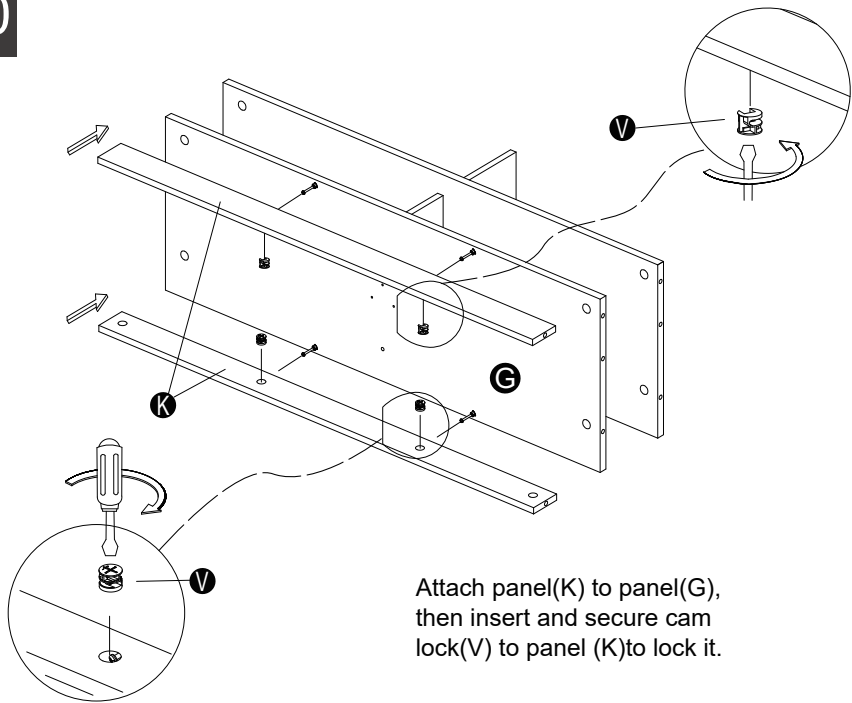


Attach panel(G) to panel(H) using screws(I)

I x2



10

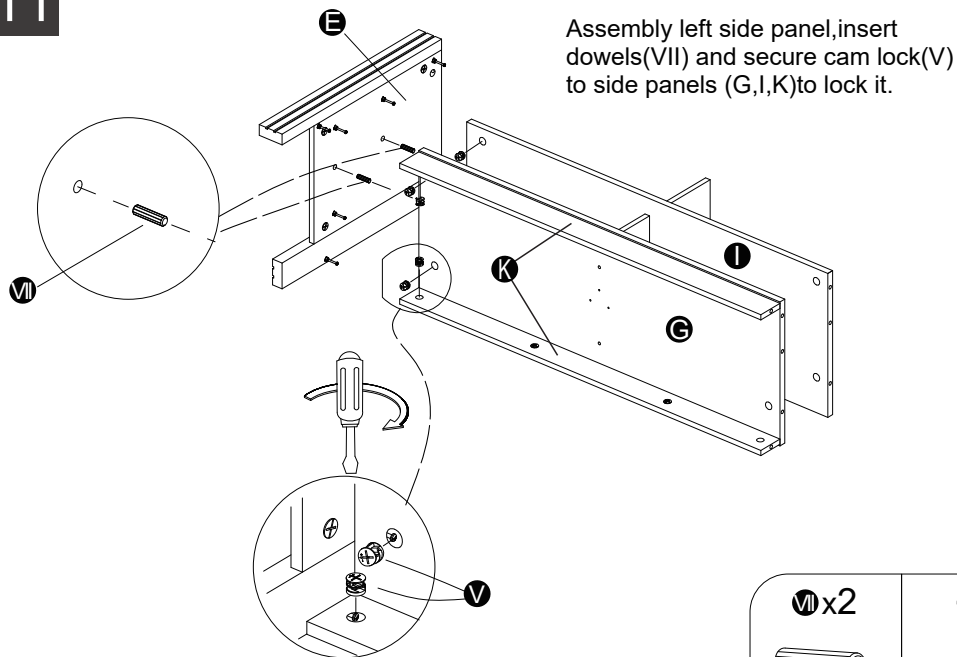


Attach panel(K) to panel(G), then insert and secure cam lock(V) to panel (K)to lock it.

V x4



11



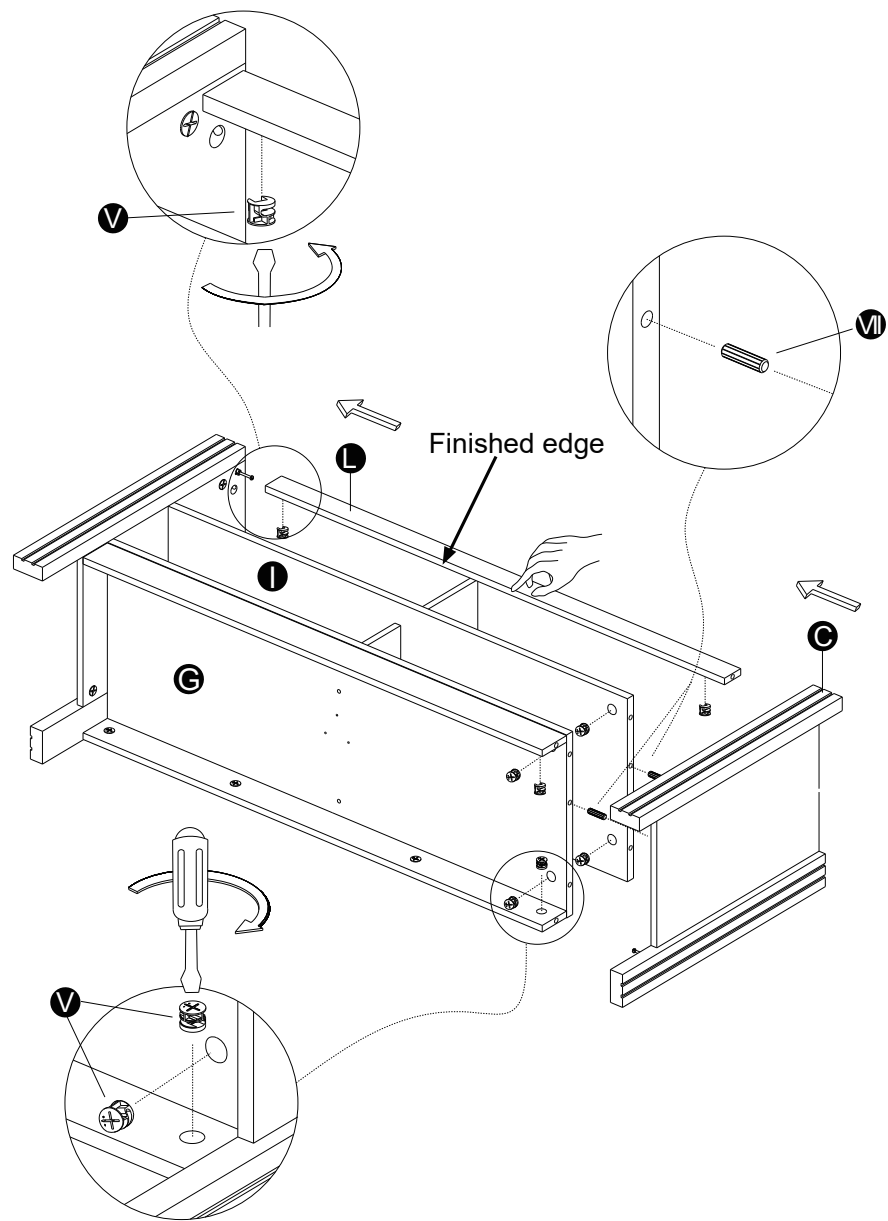
Assembly left side panel,insert dowels(VII) and secure cam lock(V) to side panels (G,I,K) to lock it.

VII x2

V x6



12



Finished edge

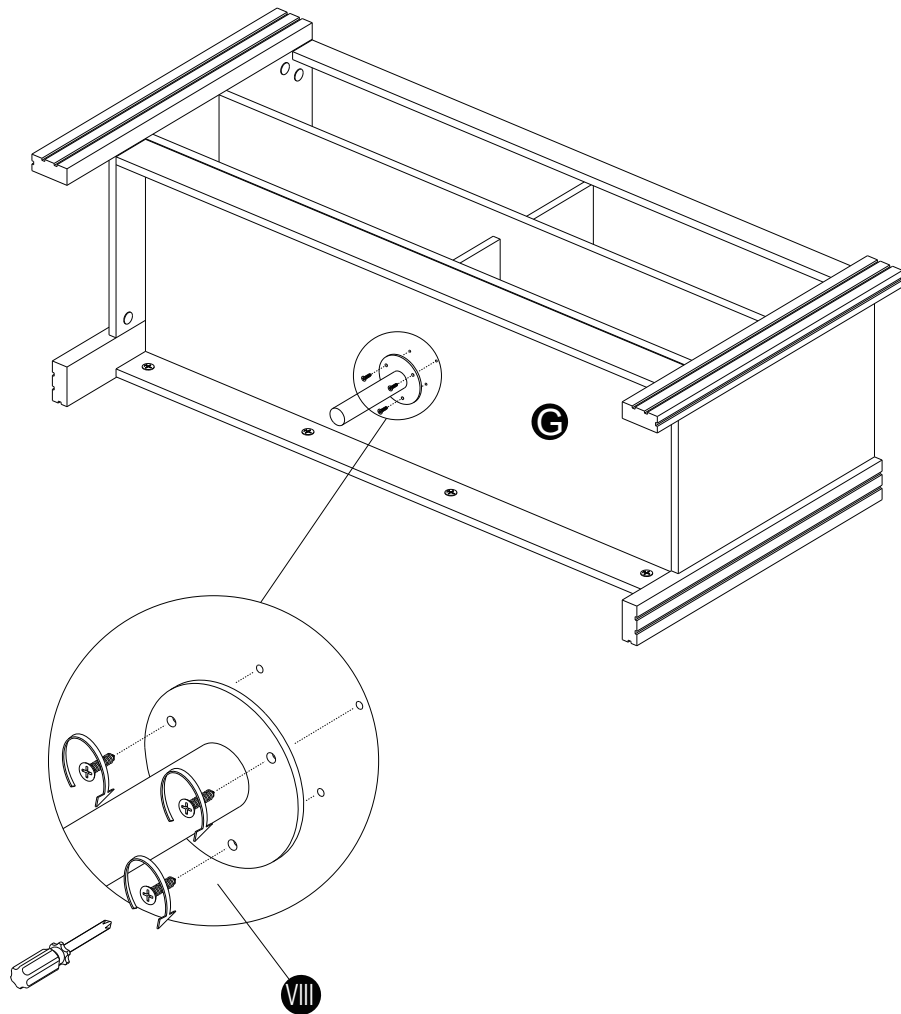
Assembly right side panel,insert dowels(VII) and secure cam lock(V) to side panels (G,I,K,L) to lock it.

VII x2

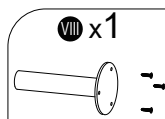
V x8



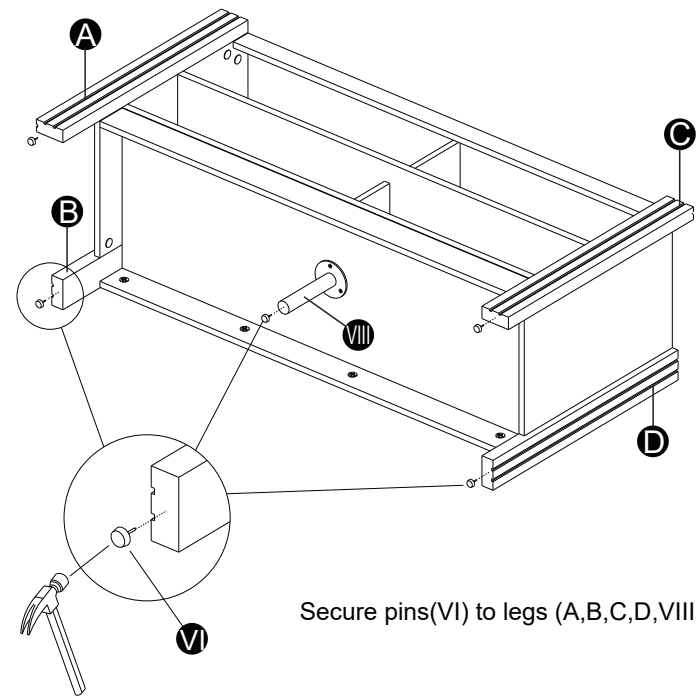
13



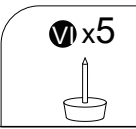
Attach leg(VIII) to panel(G) using screws.



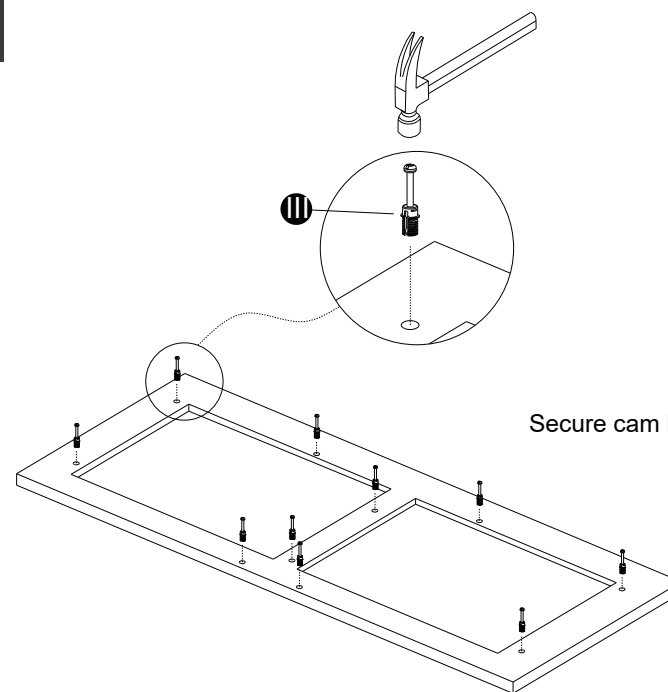
14



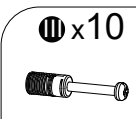
Secure pins(VI) to legs (A,B,C,D,VIII)



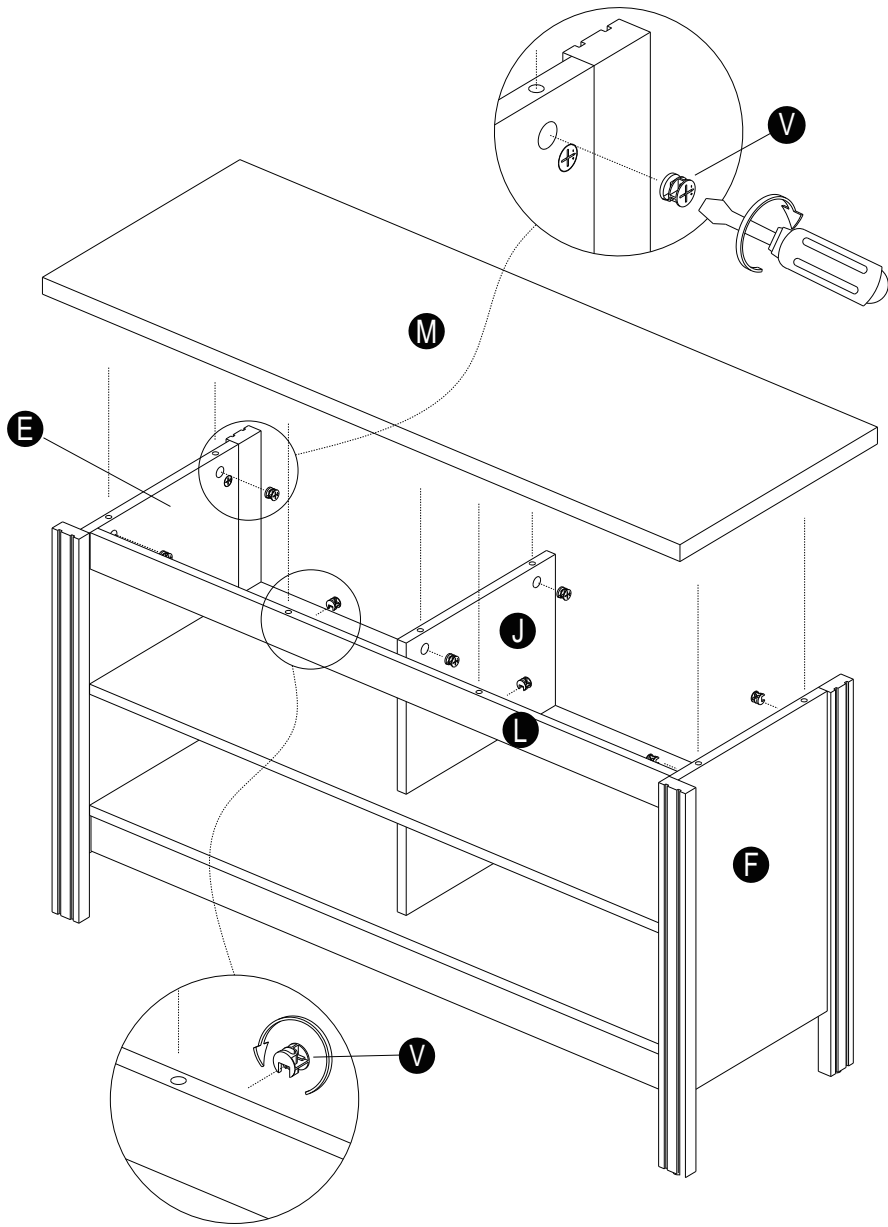
15



Secure cam bolts (III) into panel (M)



16

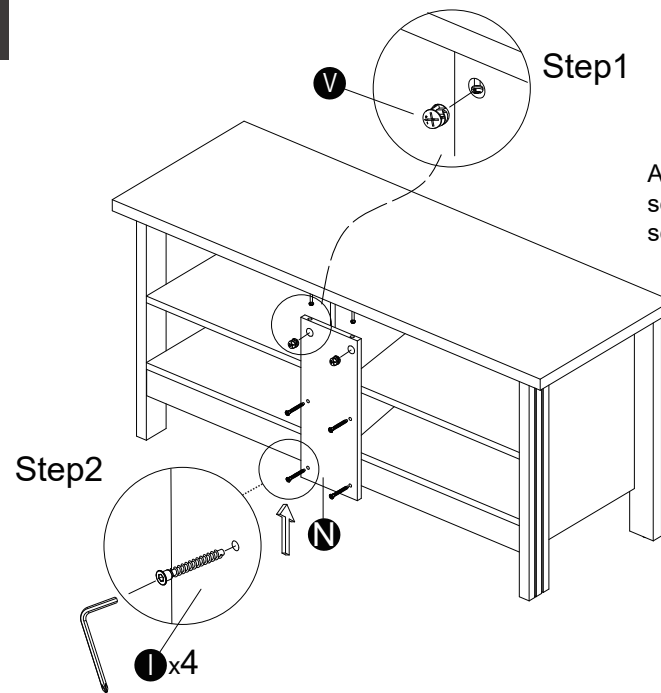


Assembly panel(M),insert and secure cam lock(V) to panels (E,F,J,L)to lock it.

V x8



17



Step1
Assembly panel(N),insert and secure cam lock(V)and screw (I) to side panel (N).

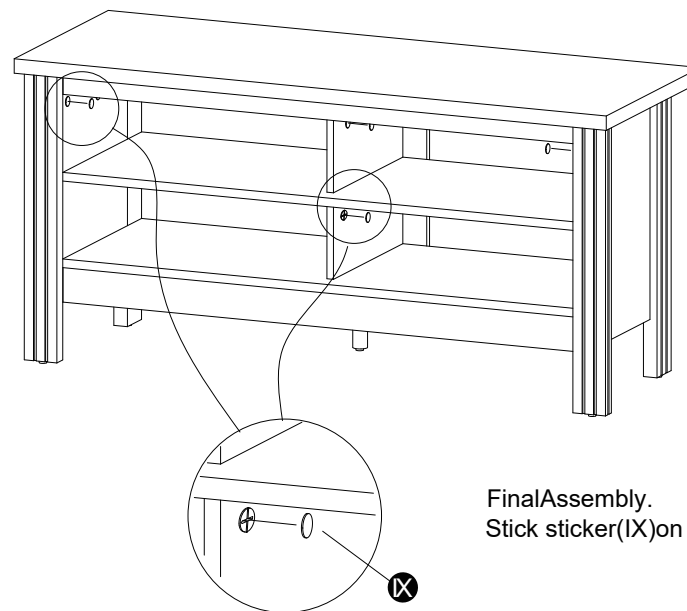
Step2

I x4

V x2



18



FinalAssembly.
Stick sticker(IX)on cam lock(V)

IX x12

