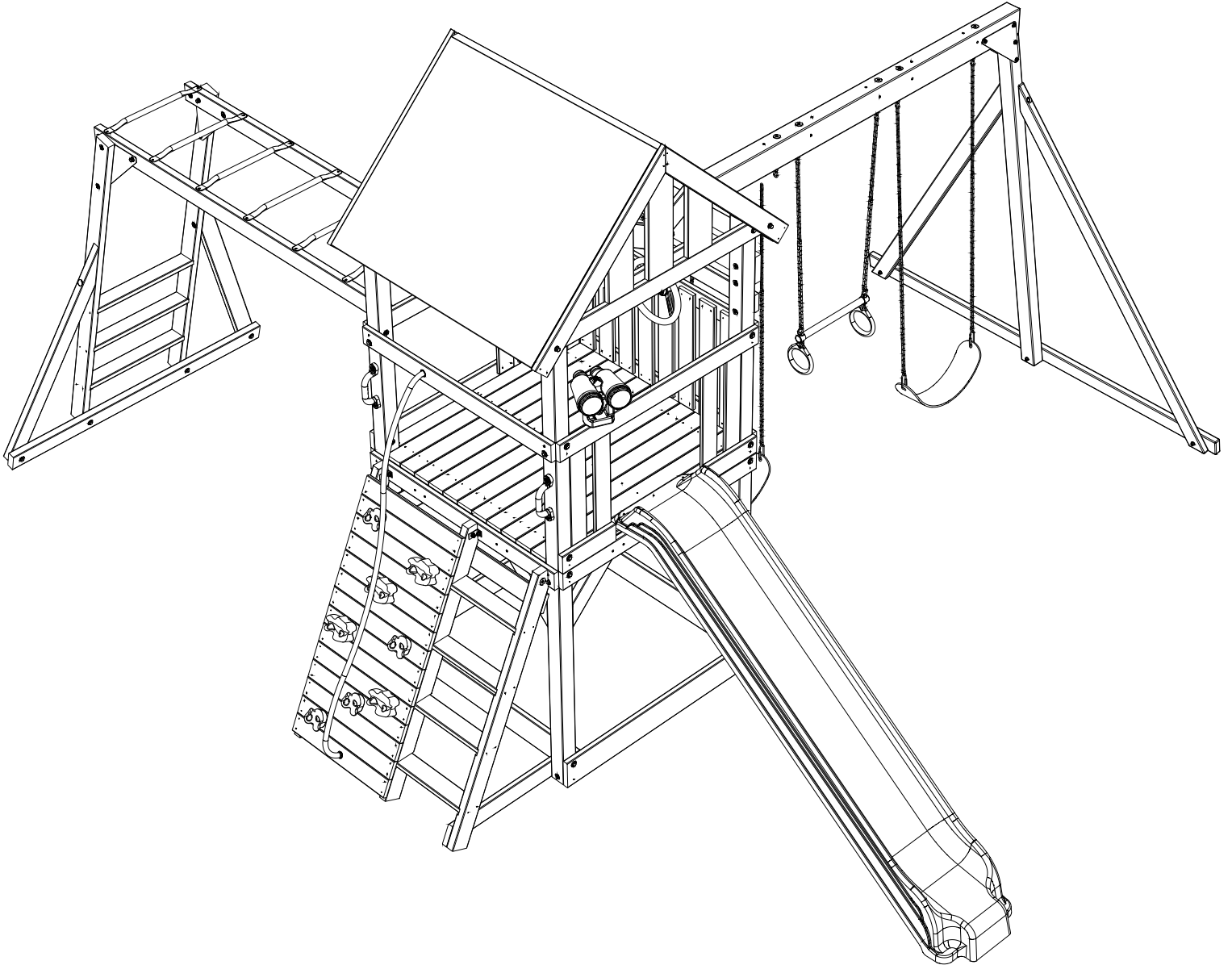




Mountain View 3430



ASSEMBLY INSTRUCTIONS

Creative Cedar Designs • PO Box 4901 • Chattanooga, TN 37405
Visit our web site at: www.Creativecedardesigns.com or call us at 888-363-4967

ATTENTION: READ THIS BEFORE USE OF YOUR PLAYSET OR ACCESSORY:

Observing the following statements and warnings reduces the likelihood of serious or fatal injury.

This product has been designed for single family home/residential use only and is not intended for use in any public setting. Placement in public settings constitutes misuse of this product.

Play Safe Installation Checklist:

- No children are to be allowed to use the equipment until it is properly installed.
- Refer to the assembly instructions of your particular product for any applicable minimum use zones.
- Fully read and understand the assembly instructions supplied with your particular product.
- Accessories are to be used only on approved designs. Do not alter the product design in any way, or add/remove any components.
- Supplied bolt covers must also be fastened securely before use. Make certain all hardware is tightened securely.
- Using an appropriate saw, cut off all protruding threaded ends of bolts and other fasteners and remove any sharp edges with a metal file as needed. Once done, coat all cut fastener ends with a lead-free paint to prevent rust.
- Place the equipment on level ground, no less than six feet (1.8 meters) from any structure or obstruction such as, but not limited to: fences, garage, house, shed, overhanging branches, laundry lines, or electrical wires.
- A fall onto a hard surface can result in serious injury to the equipment user. Make certain residential playground equipment is not installed over concrete, asphalt, packed earth or any other hard surface.
- Verify that any suspended climbing ropes, chain, or cable are securely anchored at both ends and cannot be made to loop back upon itself.
- Where applicable, use a water sealant on your product to protect wood surfaces and prevent cracking and warping.
- Make certain to adjust all swings so there is a minimum 8" clearance between the swing and the ground surface.
- Where applicable, follow all anchoring and shock absorbing surfacing requirements.

Play Safe Use Checklist:

- On-site adult supervision must be provided for children of all ages at all times.
- Refer to your instructions for the number and weight of all occupants that may safely use this equipment singly or simultaneously.
- Instruct children not to walk close to, in front of, behind, or between moving items, such as but not limited to, swings, slides and gliders.
- Instruct children not to twist swing chains or ropes or loop them over the top support bar since this may reduce the strength of the chain or rope.
- Instruct children to avoid swinging empty seats.
- Teach children to sit in the center of the swing with their full weight on the center of the seat.
- Instruct children not to use the equipment in any manner other than intended.
- Instruct children not to dismount the equipment while it is in motion.
- Do not allow children to wear inappropriate items, such as but not limited to, loose fitting clothing, hood and neck drawstrings, scarves, cord-connected items, capes and ponchos. These items can cause death by strangulation.
- Instruct children not to climb on or use the playset or accessories when the products are wet.
- Where applicable, Check the openings between rollers and sliding surfaces of roller slides for foreign materials that could be potentially hazardous to users.
- Instruct children not to attach items to the playground equipment that are not specifically designed for use with the equipment, such as, but not limited to, jump ropes, clothesline, pet leashes, cables and chain as they may cause a strangulation hazard.
- Instruct children to remove their bike or other sports helmet before playing on the playground equipment. Dress children with well-fitting and full foot enclosing footwear. Examples of inappropriate footwear are clogs, flip flops, and sandals.

WARNING: Lawn swings are designed for use by children two years of age and older. The use by children under the age of two can result in entrapment between the seat and back rest because the child's body may pass through the opening, causing entrapment of the child's head. Such entrapment may result in strangulation. **NEVER** place children in a rearward facing position or with legs between the seat and backrest.

Play Safe Maintenance Checklist:

- At the beginning of each play season:
 - Tighten all hardware.
 - Lubricate all metallic moving parts per manufacturer's instructions.
 - Check all protective coverings on bolts, pipes, edges, and corners. Replace if they are loose, cracked, or missing.
 - Check all moving parts including swing seats, ropes, cables, and chains for wear, rust, or other deterioration. Replace as needed.
 - Check metal parts for rust. If found, sand and repaint using a nonlead-based paint meeting the requirements of 16 CFR 1303.
 - Check all wood members for deterioration and splinters. Sand down splinters and replace deteriorating wood members.
 - Reinstall any plastic parts, such as swing seats or any other items that were removed for the cold season.
 - Rake and check depth of loose fill protective surfacing materials to prevent compaction and to maintain appropriate depth. Replace as necessary.
- Twice a month during play season:
 - Tighten all hardware.
 - Check all protective coverings on bolts, pipes, edges, and corners. Replace if they are loose, cracked, or missing.
 - Rake and check depth of loose fill protective surfacing materials to prevent compaction and to maintain appropriate depth. Replace as necessary.
- Once a month during play season:
 - Lubricate all metallic moving parts per manufacturer's instructions.
 - Check all moving parts including swing seats, ropes, cables, and chains for wear, rust, or other deterioration. Replace as needed.
 - Lubricate all metallic moving parts per manufacturer's instructions.
 - At the end of each play season, or when the temperature drops below 32°F, remove plastic swing seats and other items as specified by the manufacturer and take indoors or do not use.
 - Rake and check depth of loose fill protective surfacing materials to prevent compaction and to maintain appropriate depth. Replace as necessary.
 - Owners shall be responsible for maintaining the legibility of all playset identification and warning labels.

IMPORTANT! ANCHORING AND SURFACING INSTRUCTIONS

ASTM requires all kits must be anchored to the ground and, if the unit has a climbing rope, the rope end must be anchored as well. If soil conditions permit stakes to be pulled out easily, cementing into ground is necessary

- To anchor the unit to the ground, Follow the instructions included in this plan to apply metal anchoring devices to your unit, or use 2" x 4" x 18" (45mm x 95mm x 457mm) pressure treated stakes. Pound stakes into ground at least 12" (305mm) at all inside corners of the posts (including A-frame legs and climbing unit posts). Attach with four (4) 3-1/2" screws (approved for treated wood) per stake into each tower and/or A-frame upright.
- If the unit has a climbing rope, securely anchor the rope at both ends. Be sure anchors are buried or otherwise covered with protective surfacing. Exposed anchors, hooks, bolts, etc. can create tripping hazards or lead to other injuries.
- One of the most important things you can do to reduce the likelihood of serious head injuries is to install shock-absorbing protective surfacing under and around your play equipment. The protective surfacing should be applied to a depth that is suitable for the equipment height in accordance with ASTM F1292. There are different types of surfacing to choose from; whichever product you select, follow these guidelines:

Loose-Fill Materials:

- Maintain a minimum depth of 9 inches of loose-fill materials such as wood mulch/chips, engineered wood fiber (EWF), or shredded/recycled rubber mulch for equipment up to 8 feet high; and 9 inches of sand or pea gravel for equipment up to 5 feet high. NOTE: An initial fill level of 12 inches will compress to about a 9-inch depth of surfacing over time. The surfacing will also compact, displace, and settle, and should be periodically refilled to maintain at least a 9-inch depth.
- Use a minimum of 6 inches of protective surfacing for play equipment less than 4 feet in height. If maintained properly, this should be adequate. (At depths less than 6 inches, the protective material is too easily displaced or compacted.)
- Use containment, such as digging out around the perimeter and/or lining the perimeter with landscape edging. Don't forget to account for water drainage.
- Check and maintain the depth of the loose-fill surfacing material. To maintain the right amount of loose-fill materials, mark the correct level on play equipment support posts. That way you can easily see when to replenish and/or redistribute the surfacing.
- **Do not** install loose fill surfacing over hard surfaces such as concrete or asphalt.

Poured-In-Place Surfaces or Pre-Manufactured Rubber Tiles: You may be interested in using surfacing other than loose-fill materials—like rubber tiles or poured-in-place surfaces.

- Installations of these surfaces generally require a professional and are not "do-it-yourself" projects.
- Review surface specifications before purchasing this type of surfacing. Ask the installer/manufacturer for a report showing that the product has been tested to the following safety standard: ASTM F1292 Standard Specification for Impact Attenuation of Surfacing Materials within the Use Zone of Playground Equipment. This report should show the specific height for which the surface is intended to protect against serious head injury. This height should be equal to or greater than the fall height—vertical distance between a designated play surface (elevated surface for standing, sitting, or climbing) and the protective surfacing below—of your play equipment.
- Check the protective surfacing frequently for wear.

Placement: Proper placement and maintenance of protective surfacing is essential. Be sure to:

- Extend surfacing at least 6 feet from the equipment in all directions.
- For to-fro swings, extend protective surfacing in front of and behind the swing to a distance equal to twice the height of the top bar from which the swing is suspended.
- For tire swings, extend surfacing in a circle whose radius is equal to the height of the suspending chain or rope, plus 6 feet in all directions.

Disposal Instructions:

- Disassemble and dispose of the playground equipment in such a way that no unreasonable hazards will exist at the time the playground equipment is discarded.

Save this instruction sheet in the event the manufacturer needs to be contacted.

LIMITED WARRANTY

Creative Cedar Design (CCD) offers many fun, interactive, and safe play sets. We only guarantee the original purchaser that this product is free of defects for 30 days from the date of purchase. The product registration card, along with a dated purchase receipt, must be returned to CCD within 30 days.

Within a 30-day period, CCD will repair or replace, at our option, defective merchandise free of charge, provided that the defective part is a manufacturer's defect and not seasonal check. CCD requires photographs of the part in question. The customer service center must be contacted for authorization for all warranty related service. After the 30-day period, the customer is responsible for all shipping and handling charges, even if the warranty claim has been approved. Depending on the size of the part, quantity of the order, availability of part at the time, the claim can take between 1-3 weeks.

Under this warranty there will be a replacement for the defective component of the play set. A 1-year Warranty is available on all components with a manufacturer's defect. A 10-year Limited Warranty is available on wood parts (4x6 and 4x4) against wood rotting and termite damage. This guarantee is effective only if the product is used for the purpose for which it was designed, maintained with accordance to the instructions, and installed at a residential, single family dwelling.

The warranty does not cover, (a) products which have been damaged by acts of God, negligence, misuse, or accident, or which have been modified or repaired by unauthorized persons; (b) the cost of labor; (c) the cost of shipping the product, any part, or any replacement product or part; (d) damage caused by the addition of any accessories not sold by CCD.

Cosmetic defects that do not affect the structural integrity of the product, or natural defects of wood such as warping, checking or any other physical properties of wood that do not present a safety hazard, are not covered by this warranty. Defects that develop because the product is exposed to extreme climate conditions are not covered by this warranty. Defects that develop as a result of faulty or improper installation of the product is also not covered by this warranty.

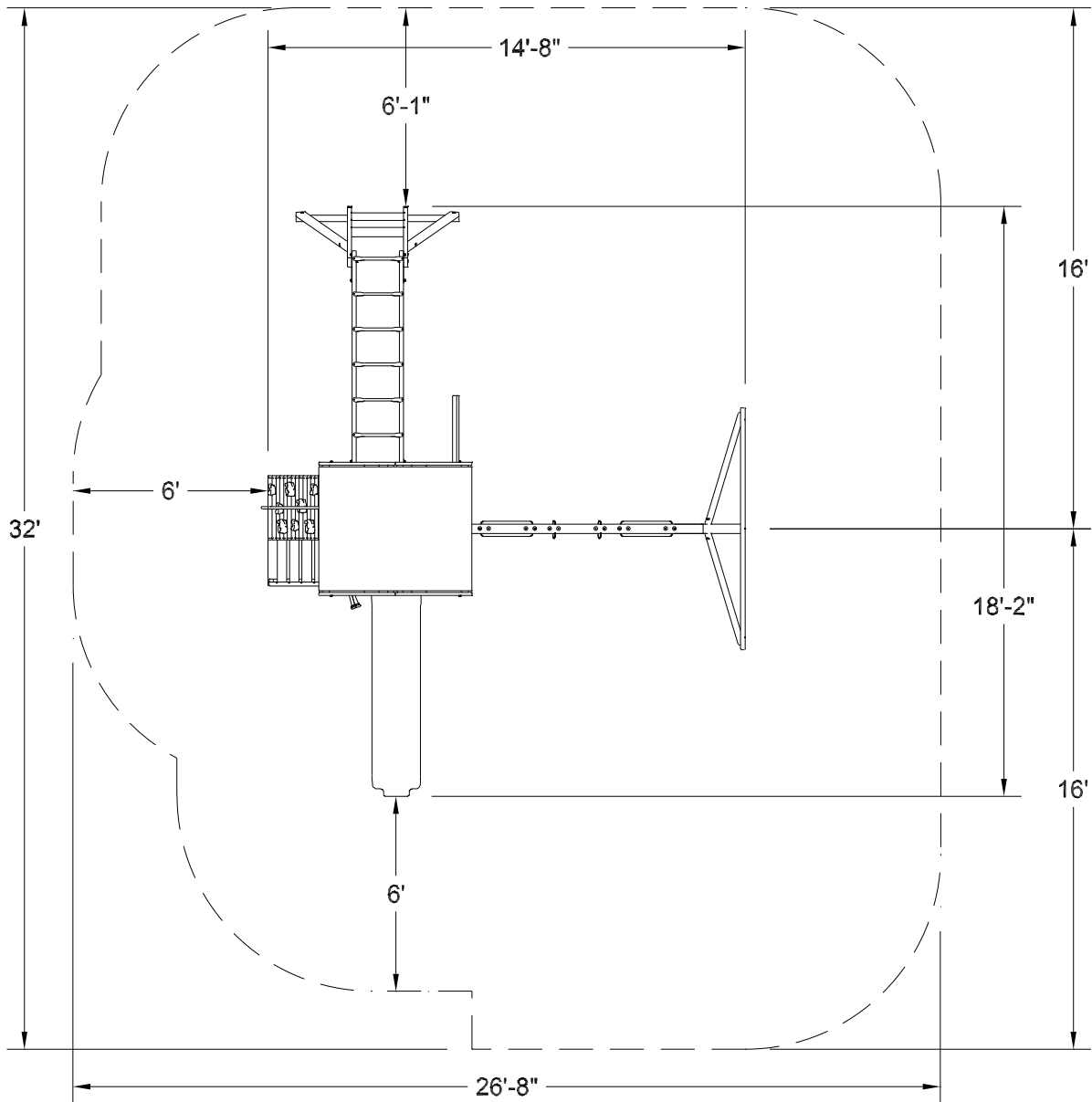
For warranty service or replacement part information, please visit our website at www.creativecedardesigns.com and submit a request. If you have any additional questions, please call 1-888-363-4967

Replacement parts are available for purchase after the warranty expires.
Please contact us by email at custservice@creativecedardesigns.com for details.

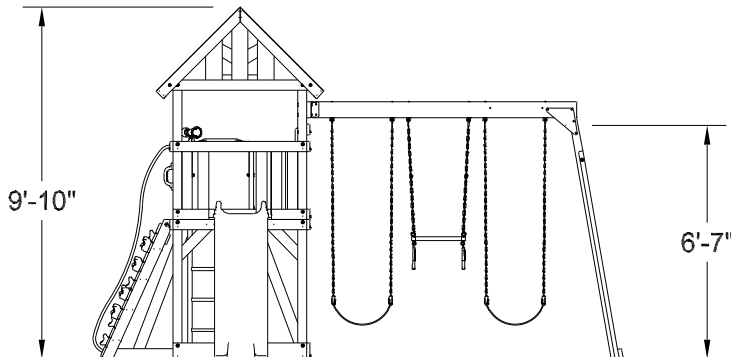
Warranty: 1 Year for all <i>Components</i>	
Days from Date of Purchase	Cost to Customer
Within 30 days	No Cost
Between 30 days & 1 year	Shipping and Handling (S&H)

Warranty: 10 Year pro rated for <i>Wood Parts</i> (4x4 and 4x6 ONLY against wood rot and termite damage)	
Years from Date of Purchase	Cost to Customer
0~1 (Between 30 days & 1 Year)	Cost of S&H and 0% on part
2~3	Cost of S&H and 20% on part
4~5	Cost of S&H and 40% on part
6~7	Cost of S&H and 60% on part
8~9	Cost of S&H and 80% on part
Over 10	Cost of S&H and 100% on part

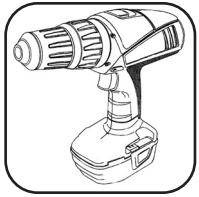
DIMENSIONS



MINIMUM USE ZONE FOR PLAY EQUIPMENT SHALL EXTEND NO LESS THAN 72"
 FROM ALL SIDES OF THE PLAY STRUCTURE.
 SWING USE ZONE EXTENDS NO LESS THAN 158"
 SWINGS MUST HAVE A MINIMUM OF 8" ABOVE THE PROTECTIVE SURFACING.



TOOLS REQUIRED



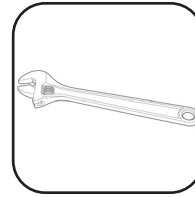
DRILL



9/16", 1/2" & 7/16"
SOCKET & WRENCH



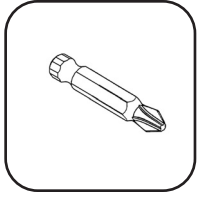
HAMMER



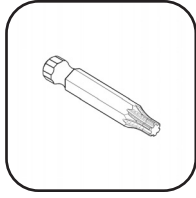
ADJUSTABLE
WRENCH



TAPE MEASURE



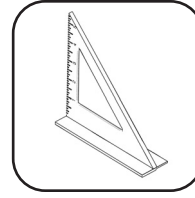
PHILLIPS BIT



TORX T-20 BIT



SQUARE BIT

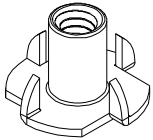


CARPENTER
SQUARE

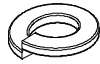


SAFETY GLASSES

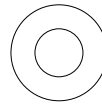
INCLUDED HARDWARE



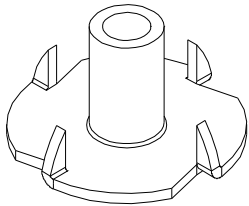
(2) 1/4-20 T-Nut



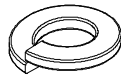
(2) 1/4 Lock Washer



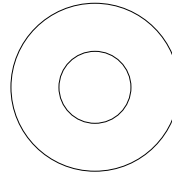
(2) 1/4 Flat Washer



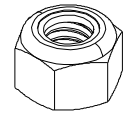
(10) 5/16-18 T-Nut



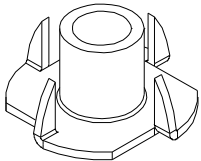
(10) 5/16 Lock Washer



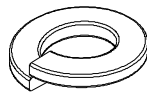
(30) 5/16 Flat Washer



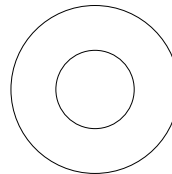
(9) 5/16-18 Lock Nut



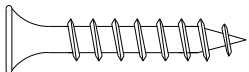
(62) 3/8-16 T-Nut



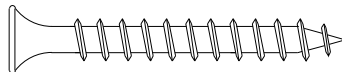
(62) 3/8 Lock Washer



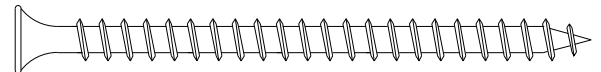
(62) 3/8 Flat Washer



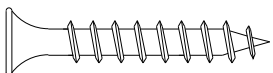
(2) #8 x 1-1/4" Deck Screw



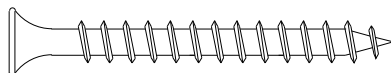
(46) #8 x 1-3/4" Deck Screw



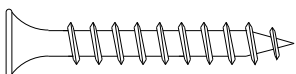
(1) #8 x 3" Deck Screw



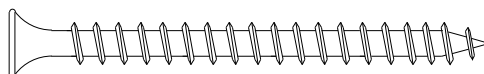
(23) #8 x 1-3/8" Deck Screw



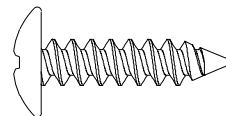
(168) #8 x 2" Deck Screw



(116) #8 x 1-1/2" Deck Screw

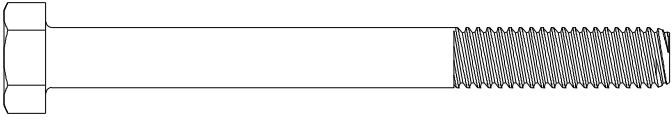


(8) #8 x 2-1/2" Deck Screw

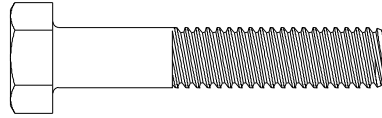


(1) #14 x 1" Truss Screw

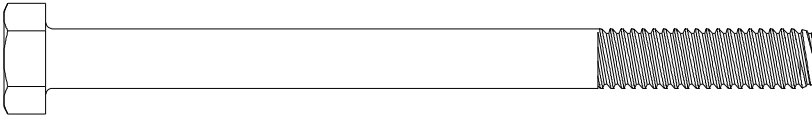
INCLUDED HARDWARE CONT.,



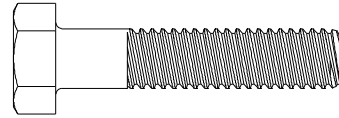
(2) 5/16-18 x 3-1/4" Hex Bolt



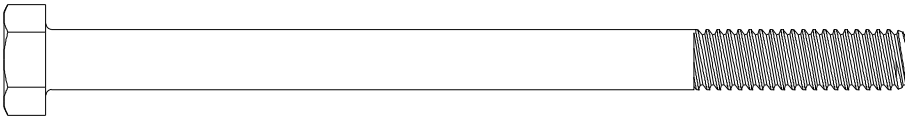
(3) 5/16-18 x 1-3/4" Hex Bolt



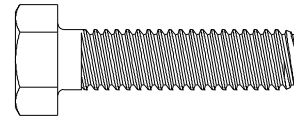
(6) 5/16-18 x 4" Hex Bolt



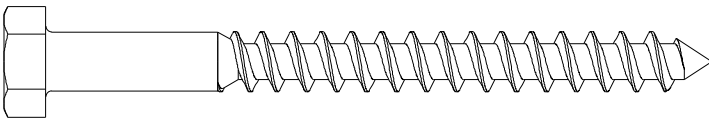
(4) 5/16-18 x 1-1/2" Hex Bolt



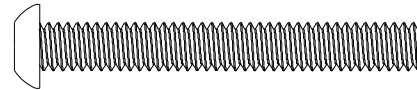
(1) 5/16-18 x 4-1/2" Hex Bolt



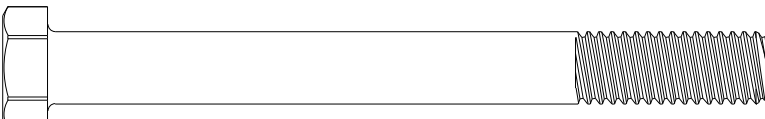
(3) 5/16-18 x 1-1/4" Hex Bolt



(2) 5/16 x 3-1/2" Lag Screw



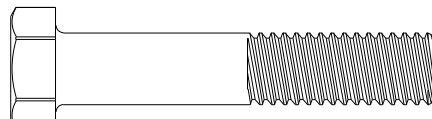
(2) 1/4-20 x 2" Button Head Screw



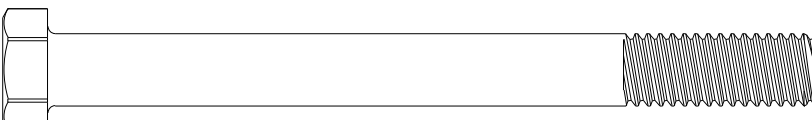
(34) 3/8-16 x 3-3/4" Hex Bolt



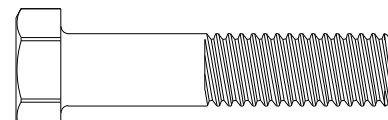
(4) 3/8-16 x 2-3/4" Hex Bolt



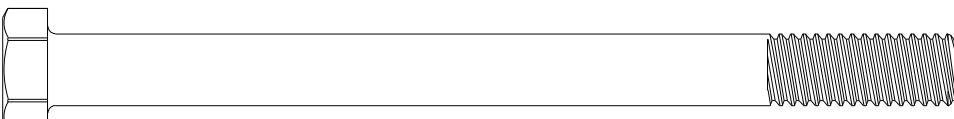
(4) 3/8-16 x 2" Hex Bolt



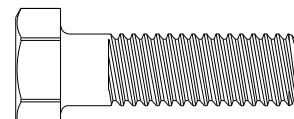
(4) 3/8-16 x 4" Hex Bolt



(8) 3/8-16 x 1-3/4" Hex Bolt

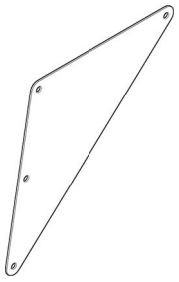


(6) 3/8-16 x 4-3/4" Hex Bolt

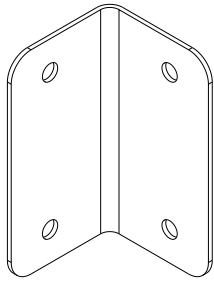


(2) 3/8-16 x 1-1/4" Hex Bolt

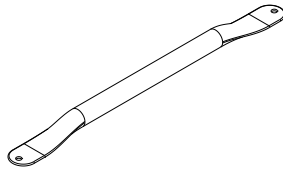
INCLUDED COMPONENTS



(2) A-Frame Bracket
M100



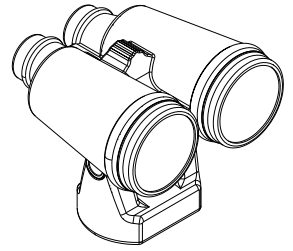
(2) Swing Beam Mount
M005



(1) 6pk Monkey Bars
BP 004-G w/ Hardware



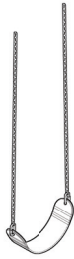
(1 Pair) Safety Handles
BP 007-Y w/ Hardware



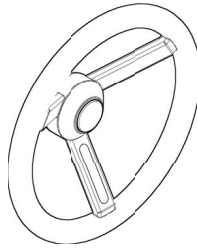
(1) Binocular
BP 006-Y w/ Hardware



(3) 2 Count Std Swing
Hanger
BP 002



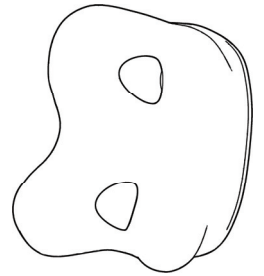
(2) Standard Swing Seat
BP 010-G



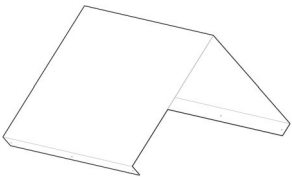
(1) Steering Wheel
BP 008-G w/ Hardware



(1) 4pk Anchor Kit
BP 001-B w/ Hardware



(2) 4pk Climbing Rocks
BP 011-GYBR
w/ Hardware



(1) Tarp



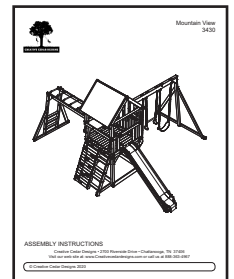
(1) Ring/Trap Combo
BP 009-Y w/ Hardware



(1) ID Tag
w/ Hardware



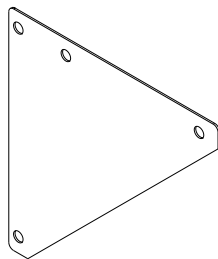
(1) Slide



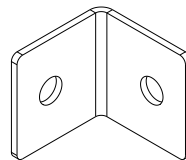
(1) Plan



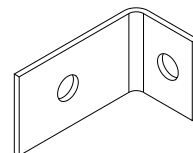
(1) Climbing Rope



(2) Monkey Bar Bracket
2023

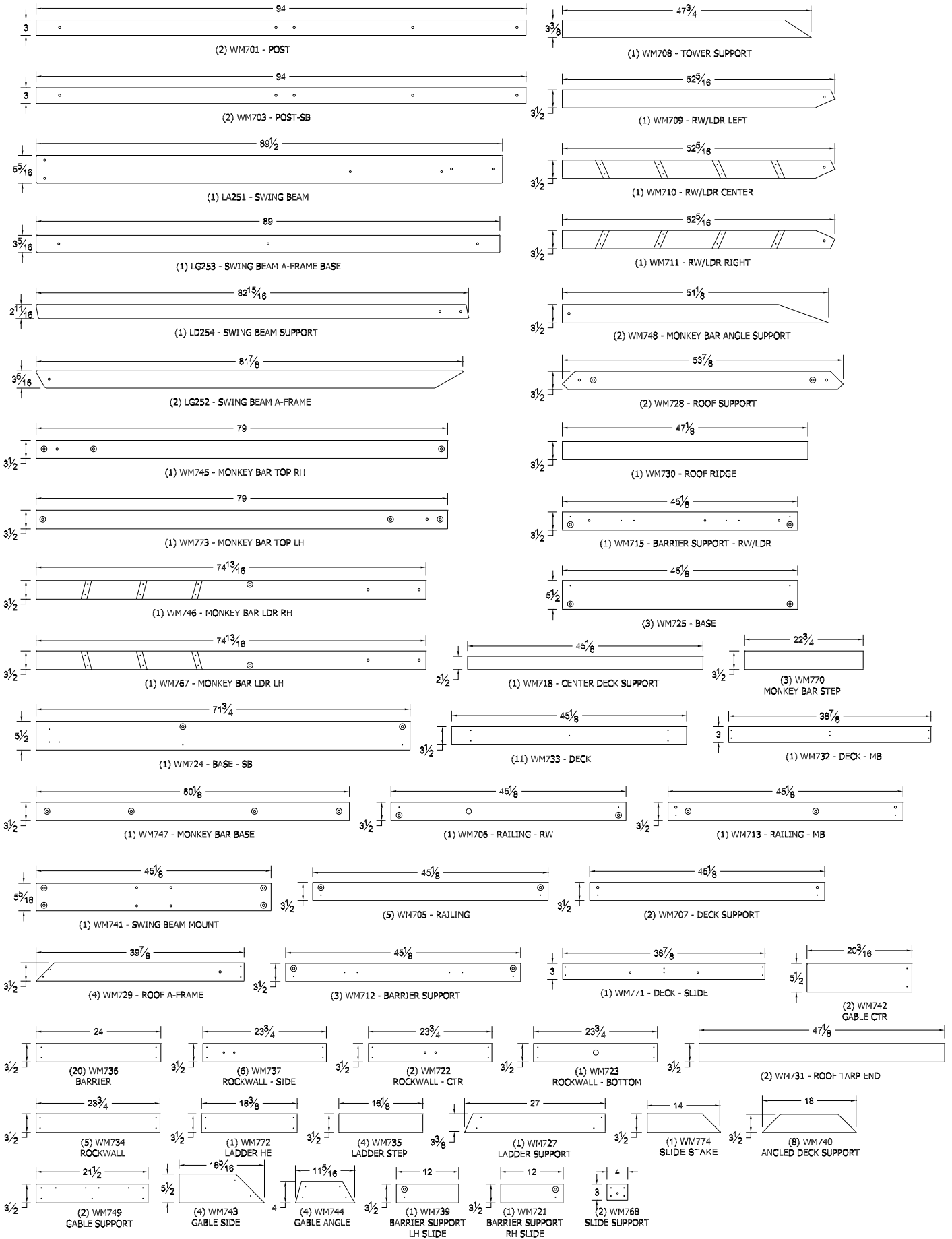


(2) Monkey Bar Mount
2084



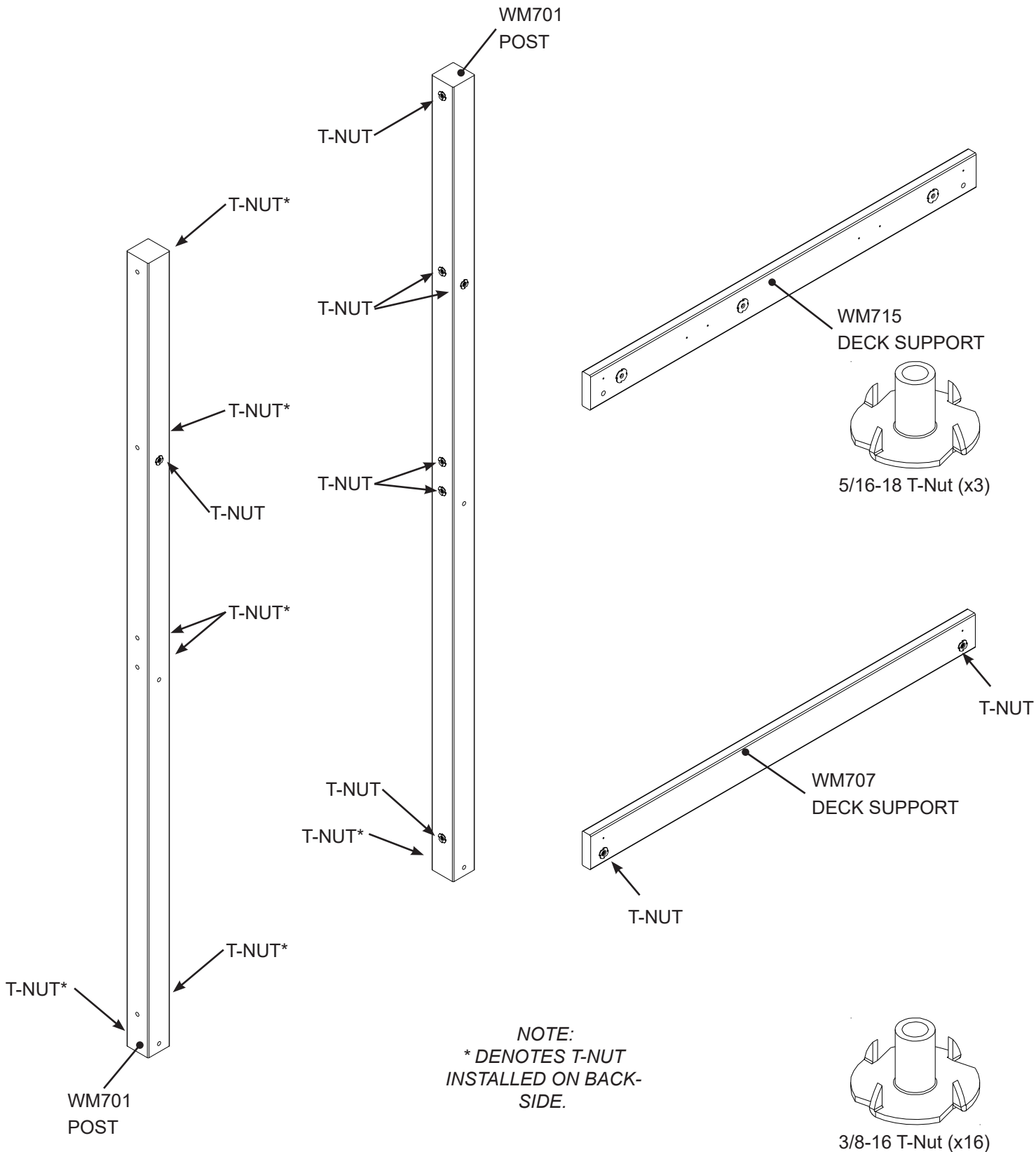
(3) Bracket
M002

BOARD LIST



STEP 1

Rockwall Post Assembly

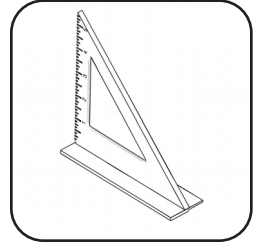


NOTE:
* DENOTES T-NUT
INSTALLED ON BACK-
SIDE.

1. Insert T-Nut(s) into Post(s) and supports as shown. **NOTE** the hole orientation.

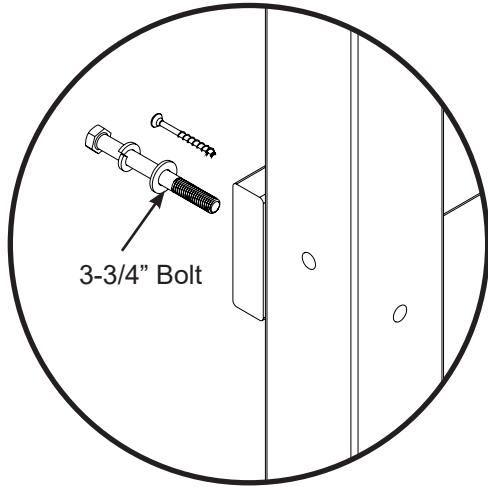
STEP 2

Rockwall Post Assembly

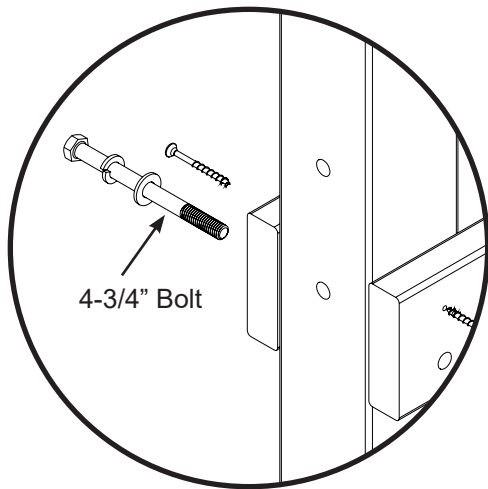


Check to make sure structure is square

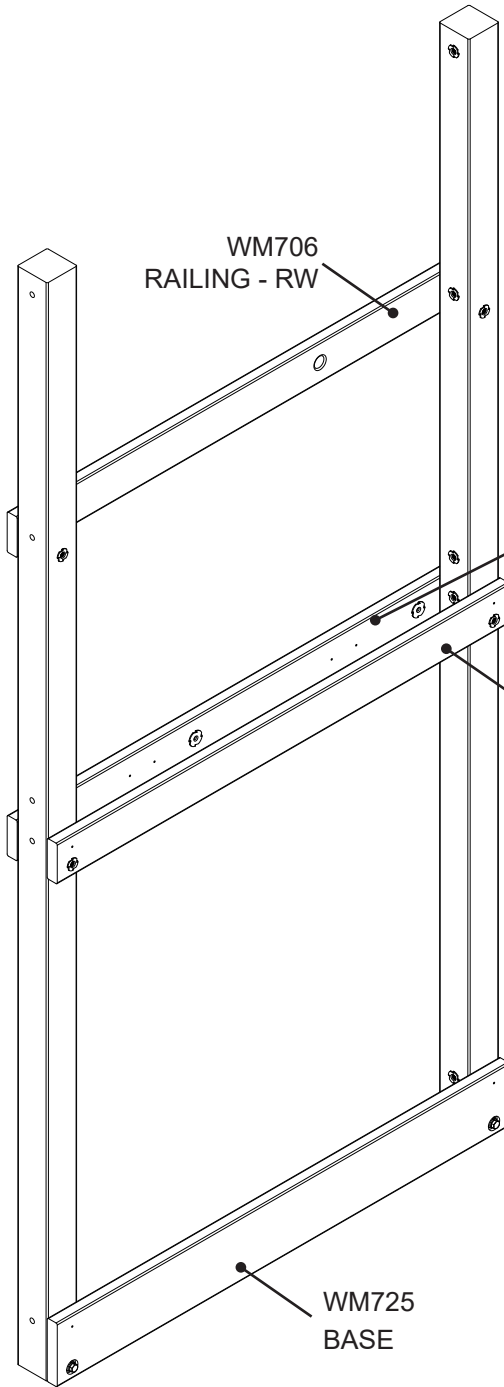
TIP:
Hand tighten bolts, square structure, install screws then tighten bolts.



3-3/4" Bolt



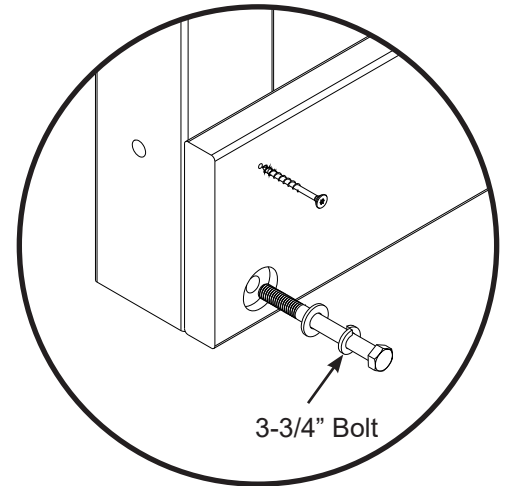
4-3/4" Bolt



WM715
DECK SUPPORT

WM707
DECK SUPPORT

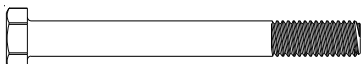
WM725
BASE



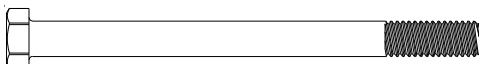
3-3/4" Bolt



2" Deck Screw (x8)



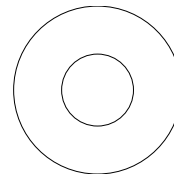
3/8-16 x 3-3/4" Hex Bolt (x4)



3/8-16 x 4-3/4" Hex Bolt (x2)



3/8 Lock Washer (x6)

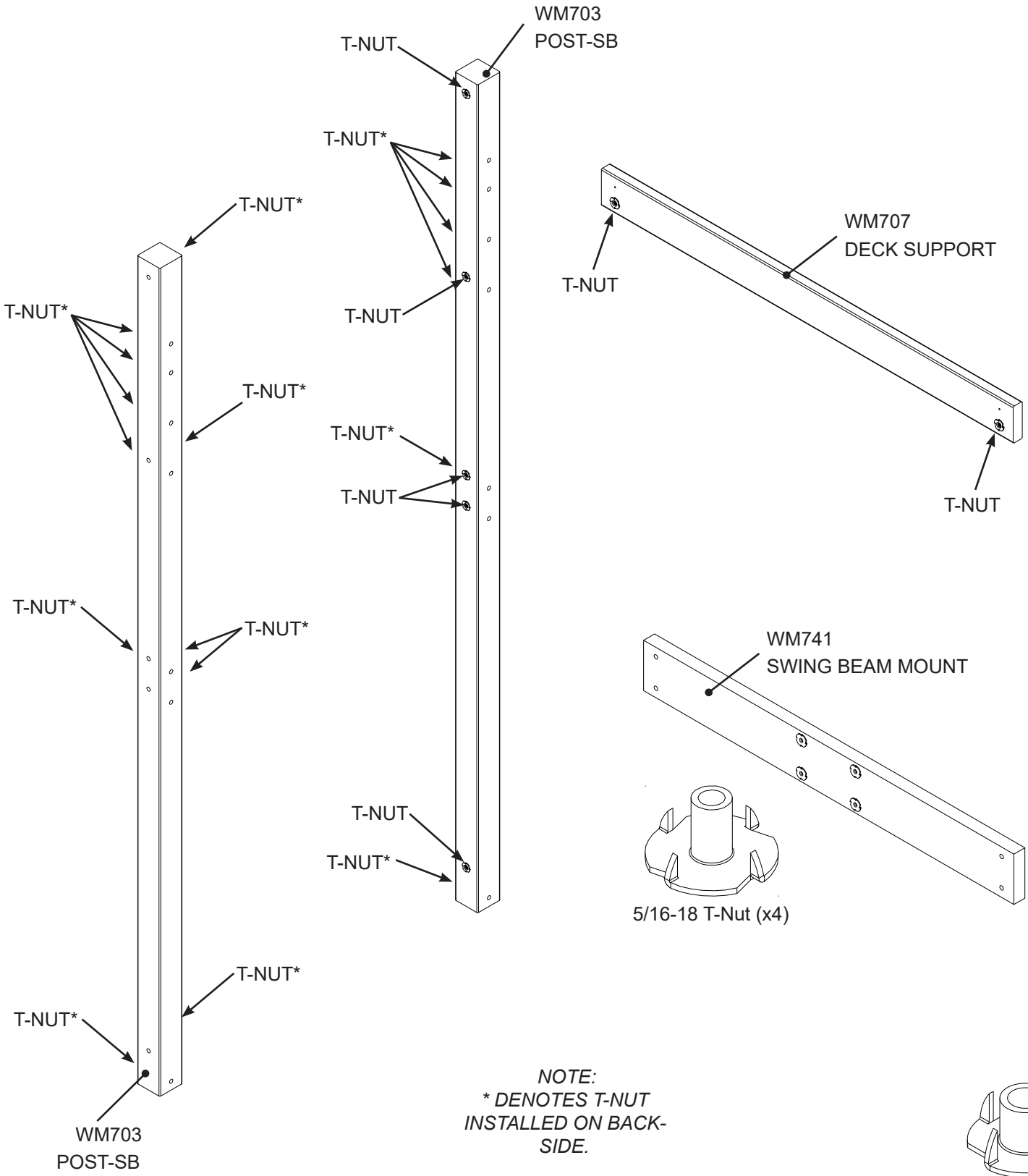


3/8 Washer (x6)

1. Attach Support boards as shown. **NOTE** the hole orientation and T-Nut locations.

STEP 3

Swing Beam Post Assembly



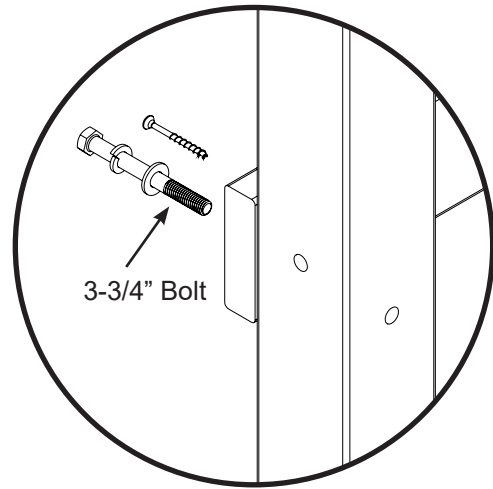
NOTE:
* DENOTES T-NUT
INSTALLED ON BACK-
SIDE.

3/8-16 T-Nut (x24)

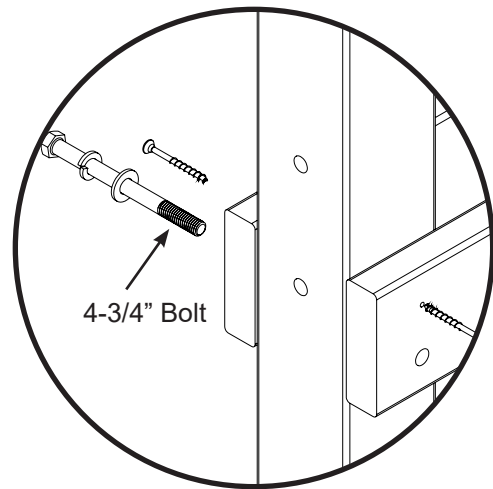
1. Insert T-Nut(s) into Post(s) and supports as shown. **NOTE** the hole orientation.

STEP 4

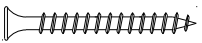
Swing Beam Post Assembly



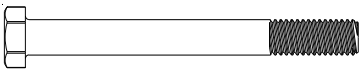
3-3/4" Bolt



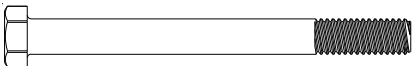
4-3/4" Bolt



2" Deck Screw (x12)



3/8-16 x 3-3/4" Hex Bolt (x8)



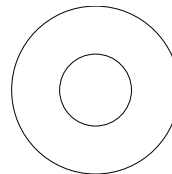
3/8-16 x 4" Hex Bolt (x4)



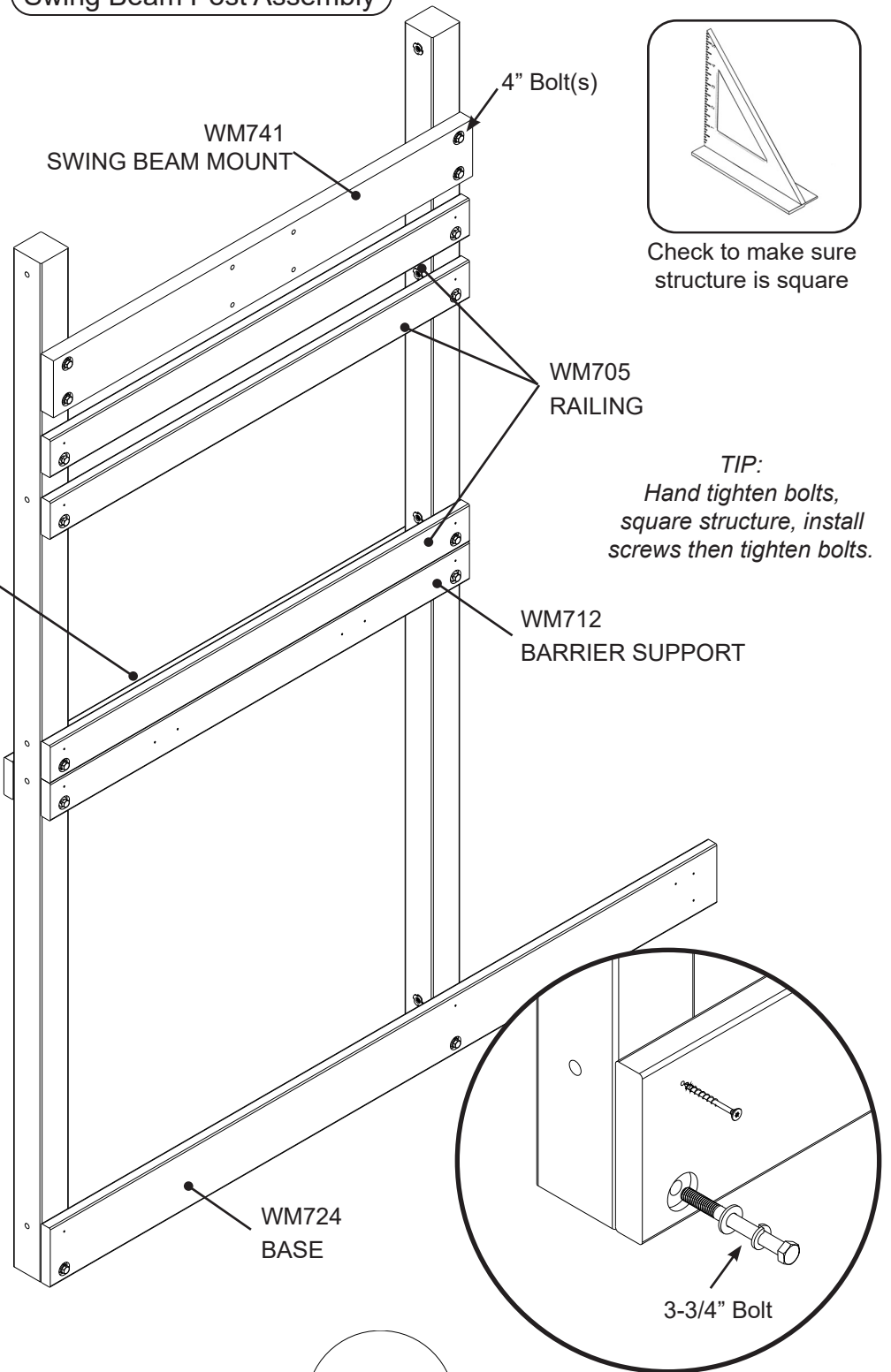
3/8-16 x 4-3/4" Hex Bolt (x2)



3/8 Lock Washer (x14)

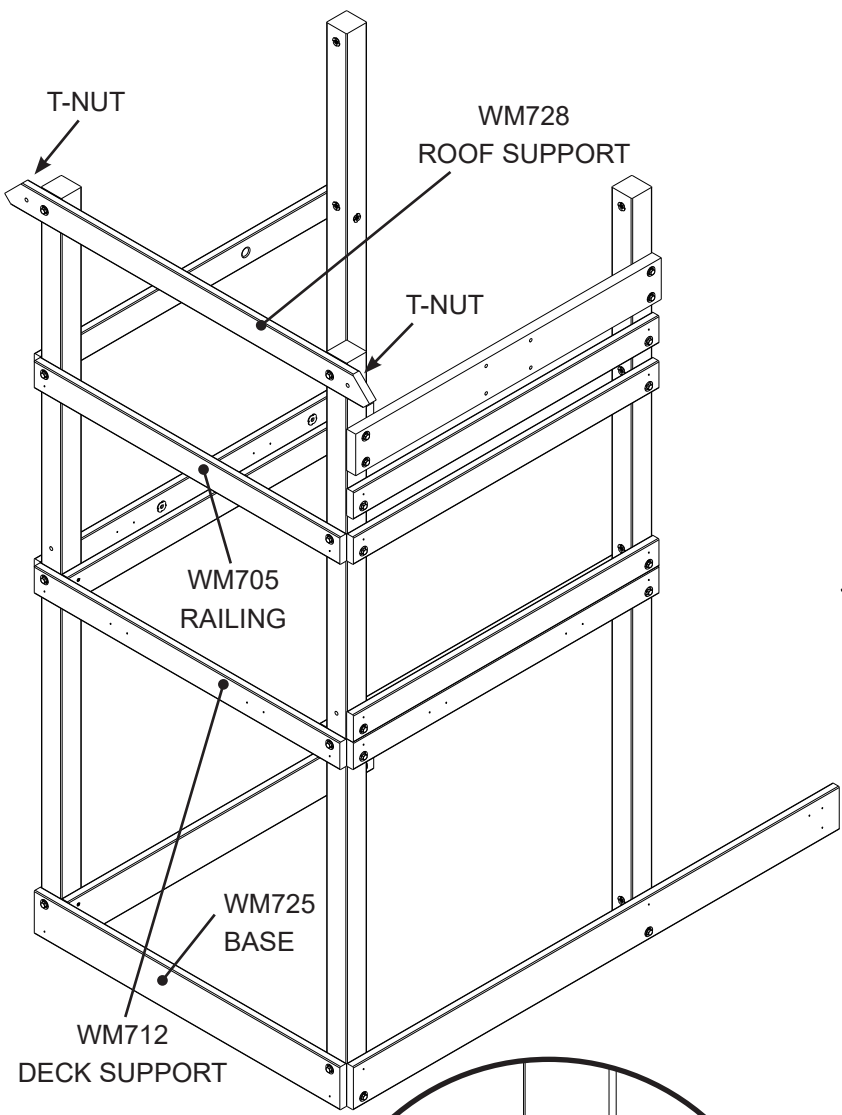


3/8 Washer (x14)

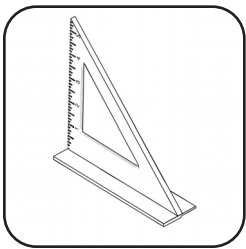


1. Attach Support boards as shown. **NOTE** the hole orientation and T-Nut locations.

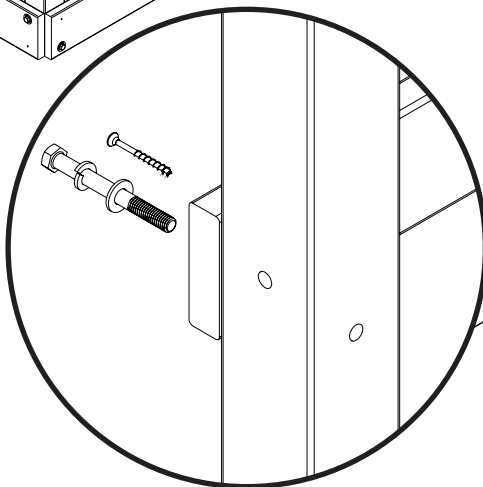
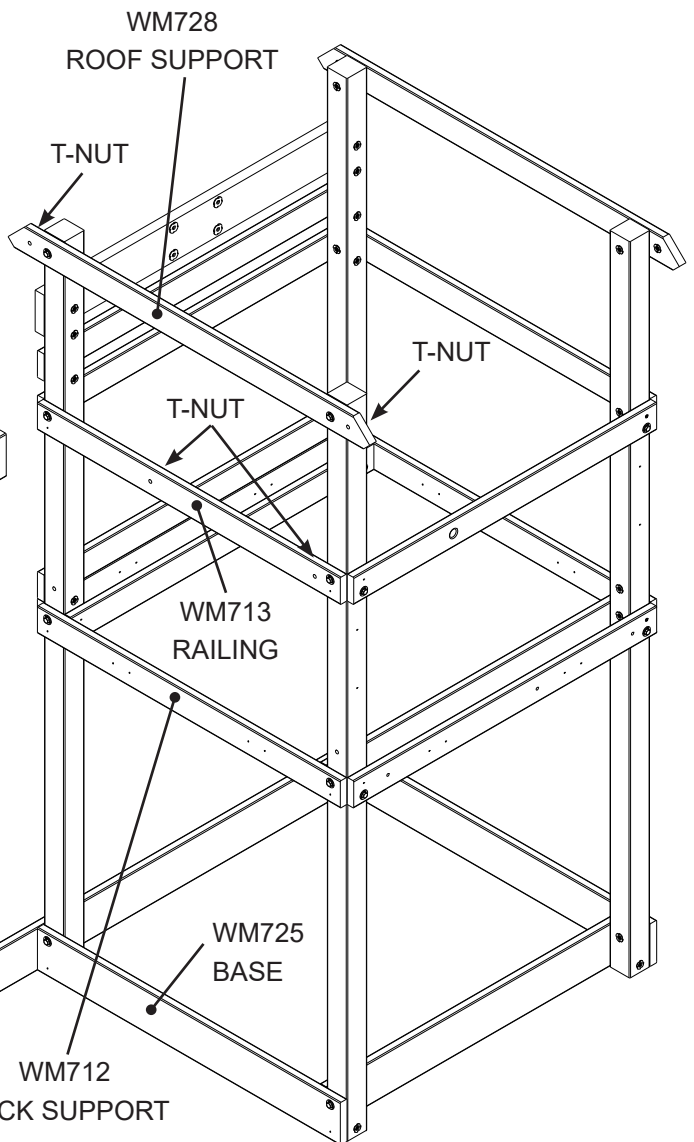
STEP 5

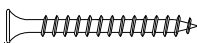


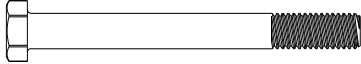
TIP:
Hand tighten bolts,
square structure, install
screws then tighten bolts.



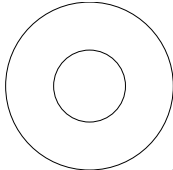
Check to make sure
structure is square

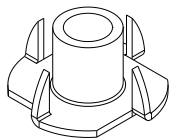


 2" Deck Screw (x12)

 3/8-16 x 3-3/4" Hex Bolt (x16)

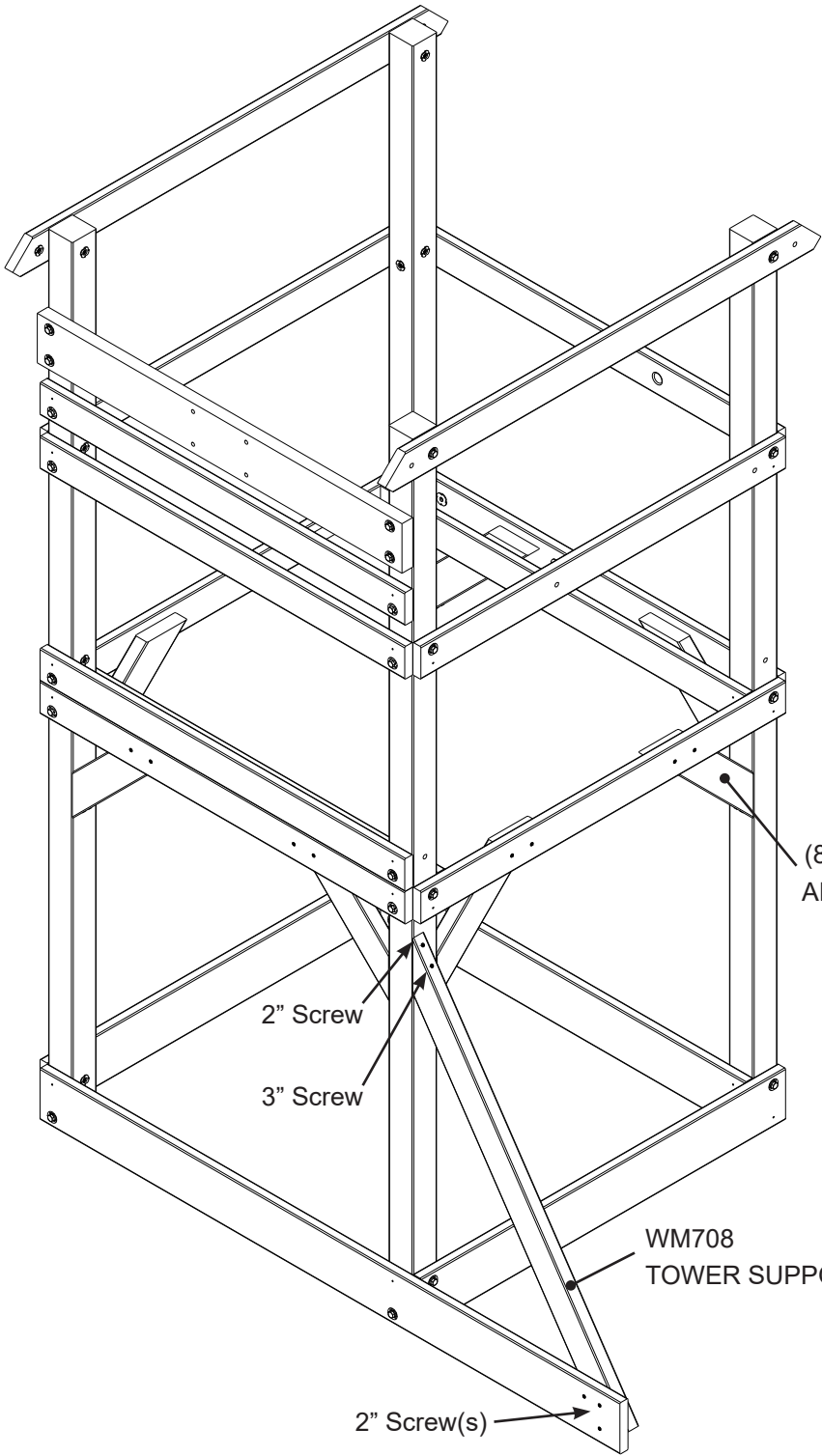
 3/8 Lock Washer (x16)

 3/8 Washer (x16)

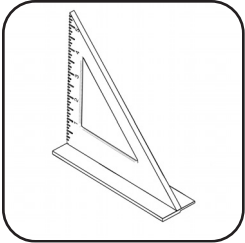
 3/8-16 T-Nut (x6)

1. Attach Support boards as shown. **NOTE** the hole orientation and T-Nut Locations.

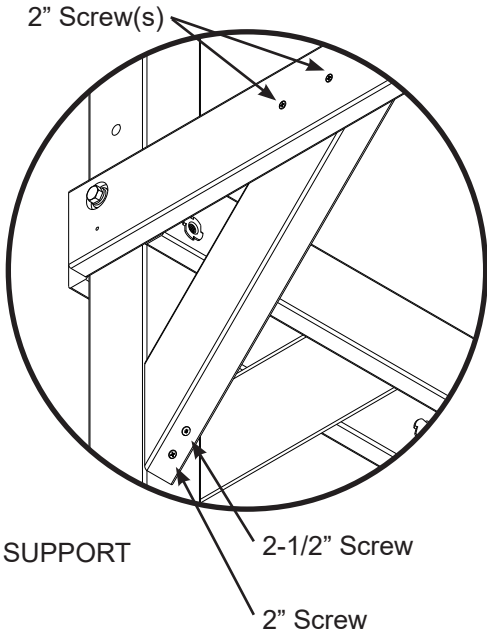
STEP 6



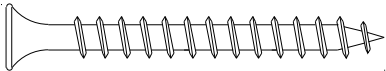
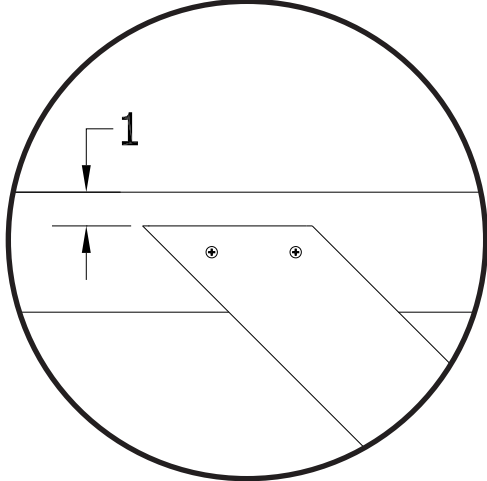
TIP:
Hand tighten bolts,
square structure, install
screws then tighten bolts.



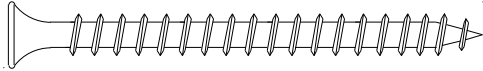
Check to make sure
structure is square



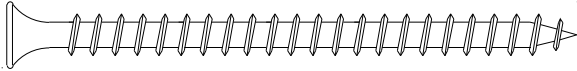
(8) WM740
ANGLED DECK SUPPORT



2" Deck Screw (x28)



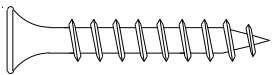
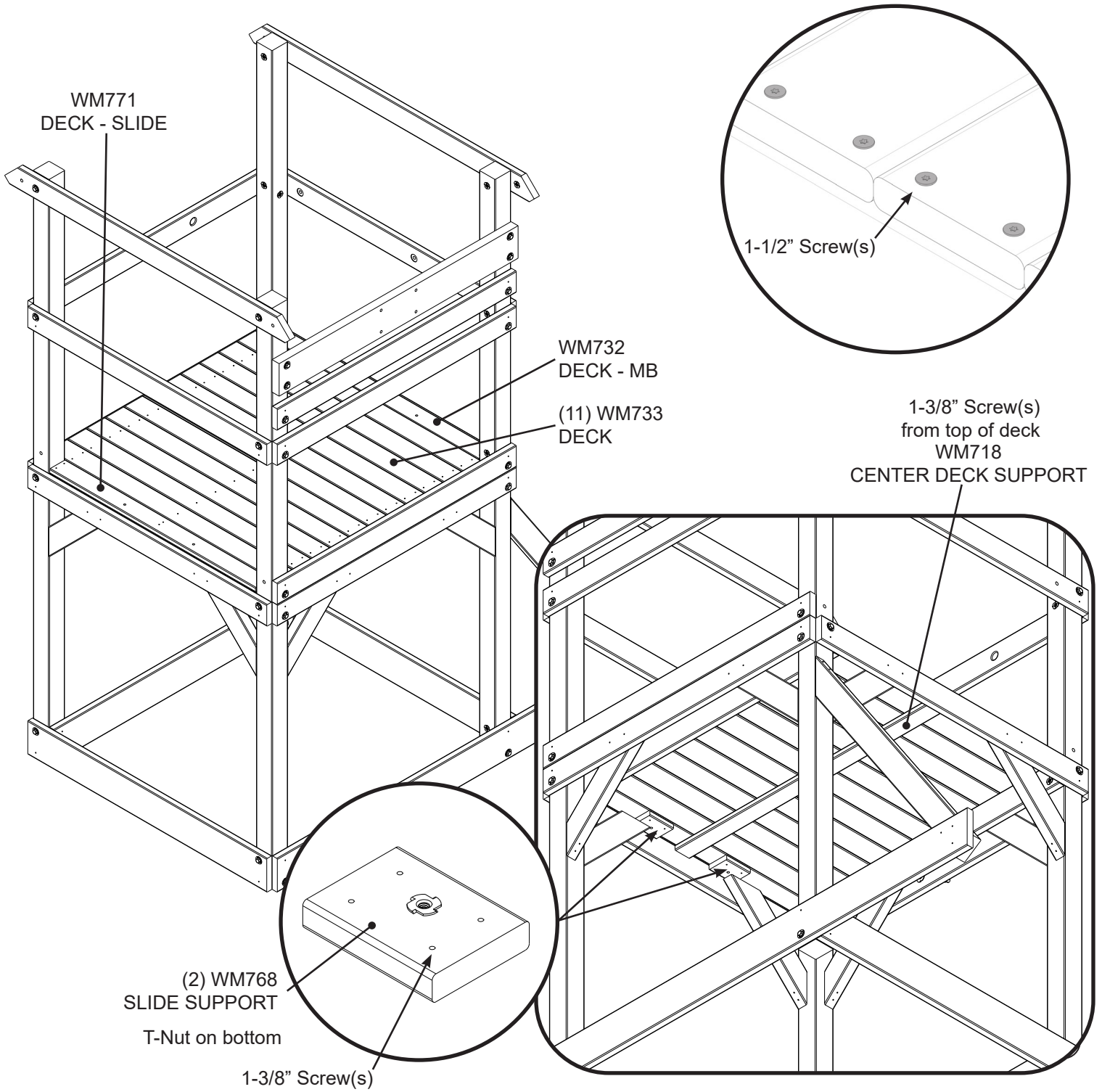
2-1/2" Deck Screw (x8)



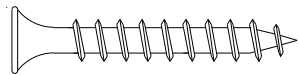
3" Deck Screw (x1)

1. Attach Deck Support boards as shown. **NOTE** hold boards below deck support.

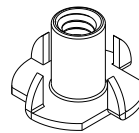
STEP 7



1-3/8" Deck Screw (x23)



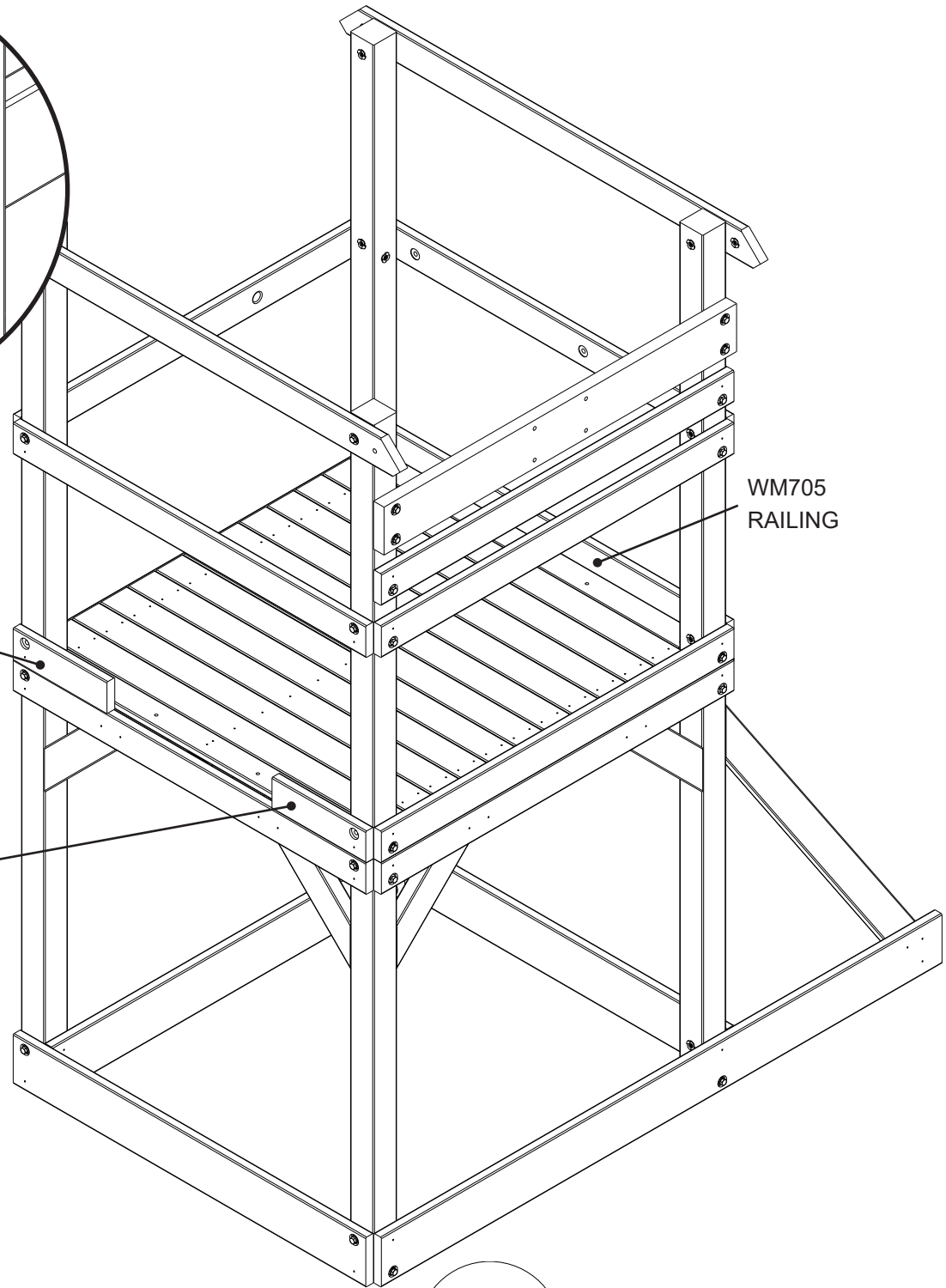
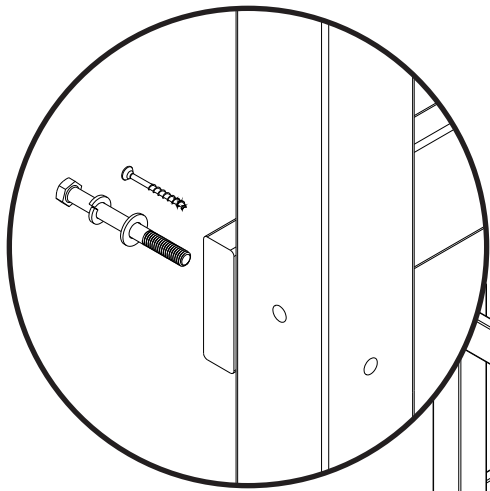
1-1/2" Deck Screw (x52)



1/4-20 T-Nut (x2)

1. Attach deck boards as shown. **NOTE** align the center mounting hole of the slide support and deck.

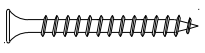
STEP 8



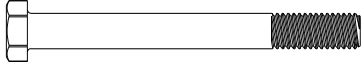
WM739
BARRIER SUPPORT
LH SLIDE

WM721
BARRIER SUPPORT
RH SLIDE

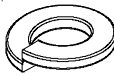
WM705
RAILING



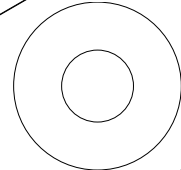
2" Deck Screw (x4)



3/8-16 x 3-3/4" Hex Bolt (x4)



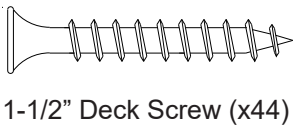
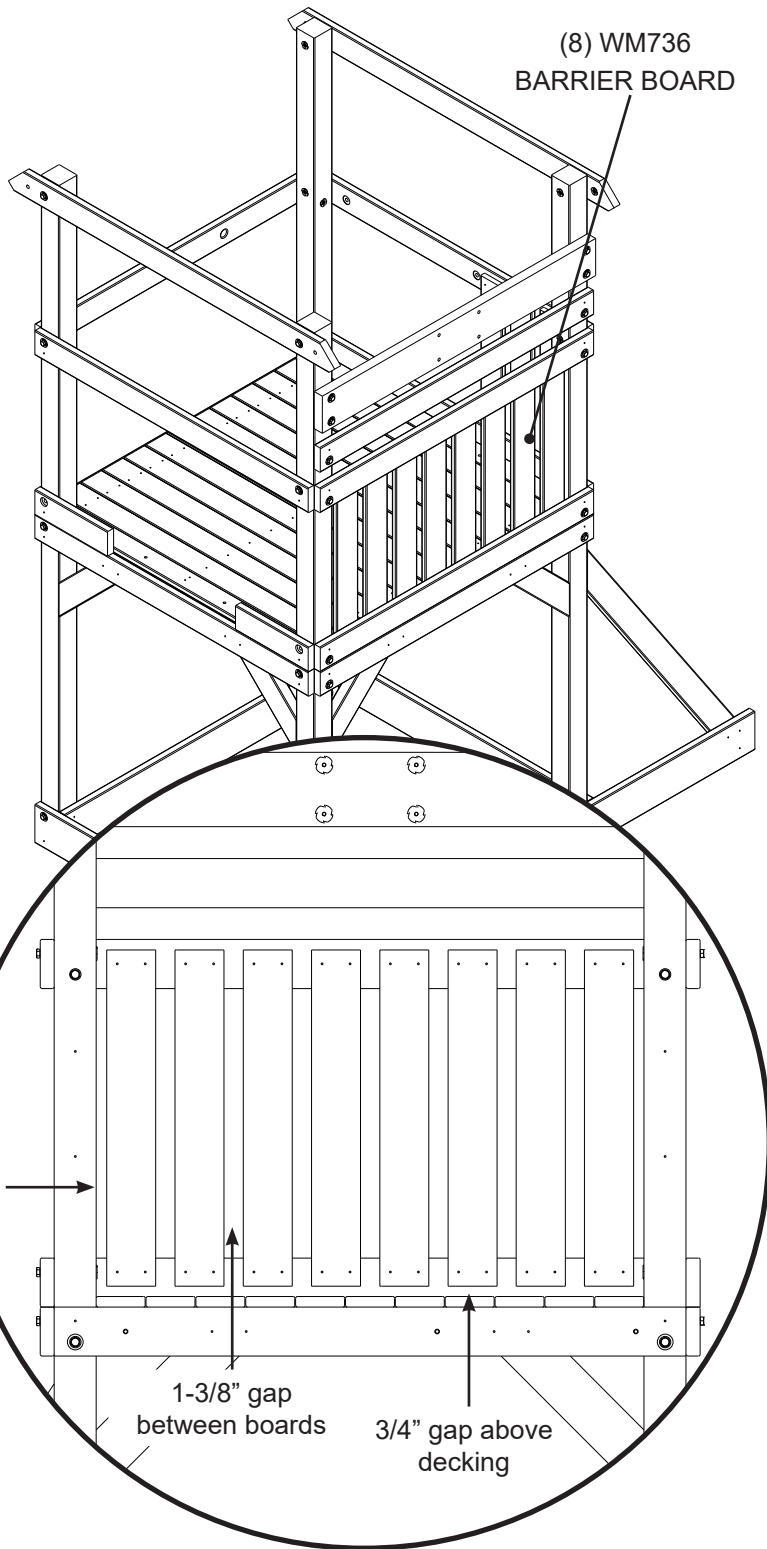
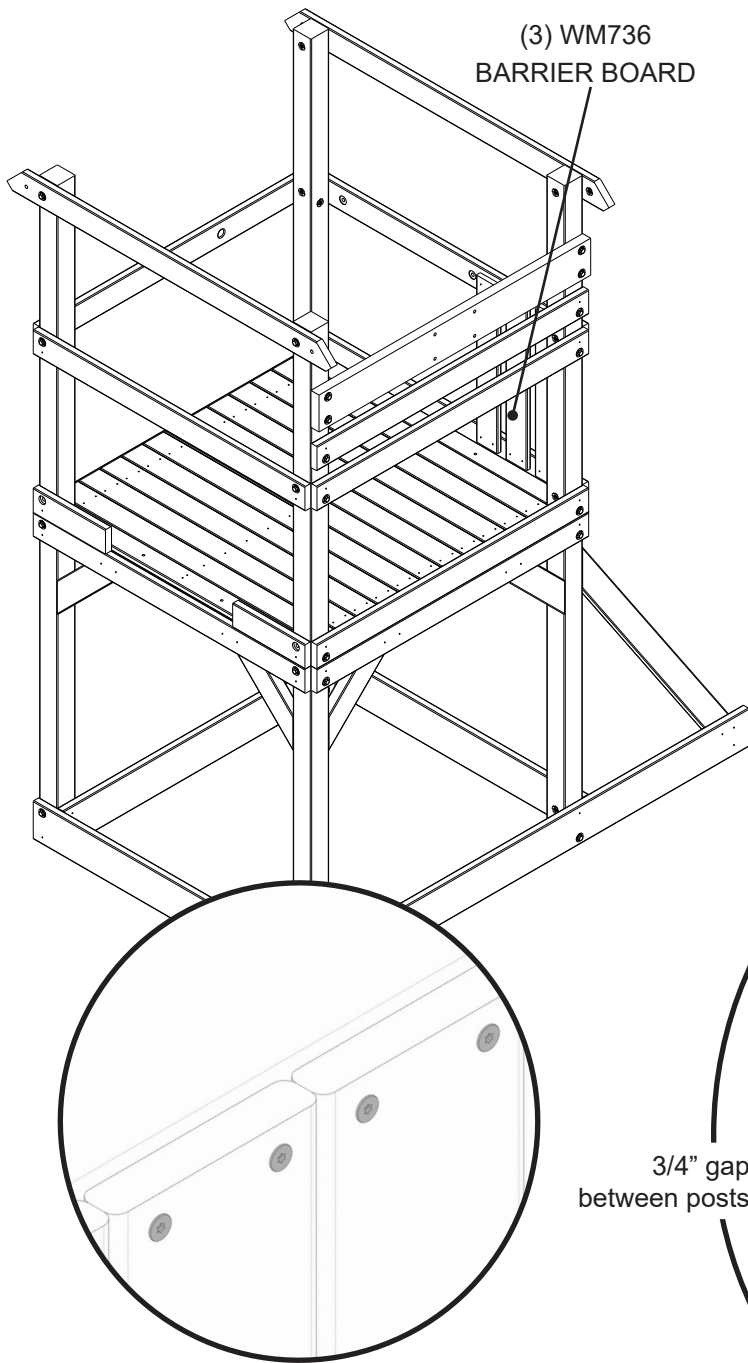
3/8 Lock Washer (x4)



3/8 Washer (x4)

1. Attach barrier support boards as shown. **Note** the board(s) orientation.

STEP 9



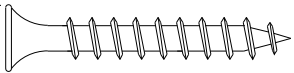
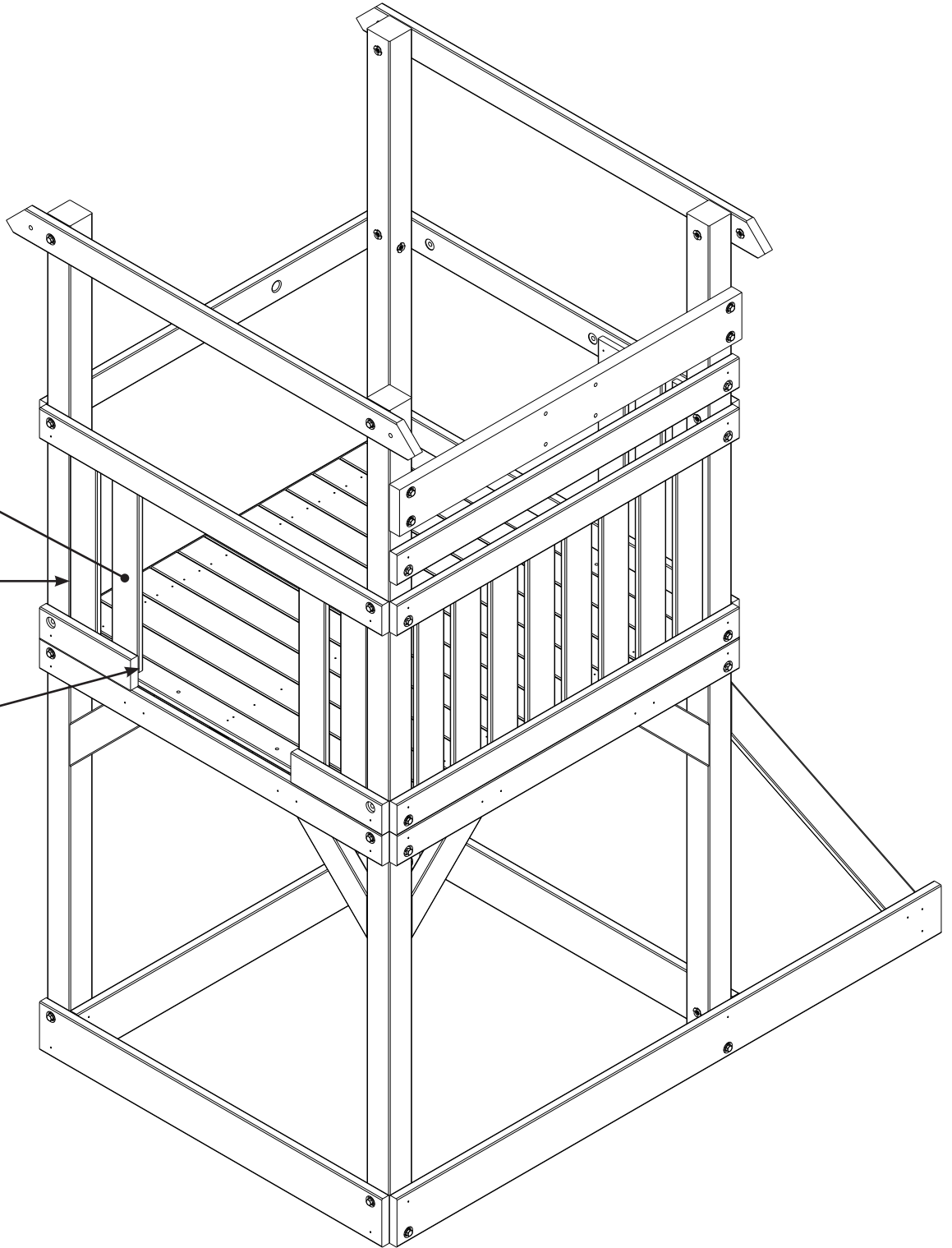
1. Attach Barrier boards as shown.

STEP 10

(4) WM736
BARRIER BOARD

no gap against
posts

flush to end of
barrier support



1-1/2" Deck Screw (x16)

1. Attach Barrier boards as shown.

STEP 11

STEP 11A

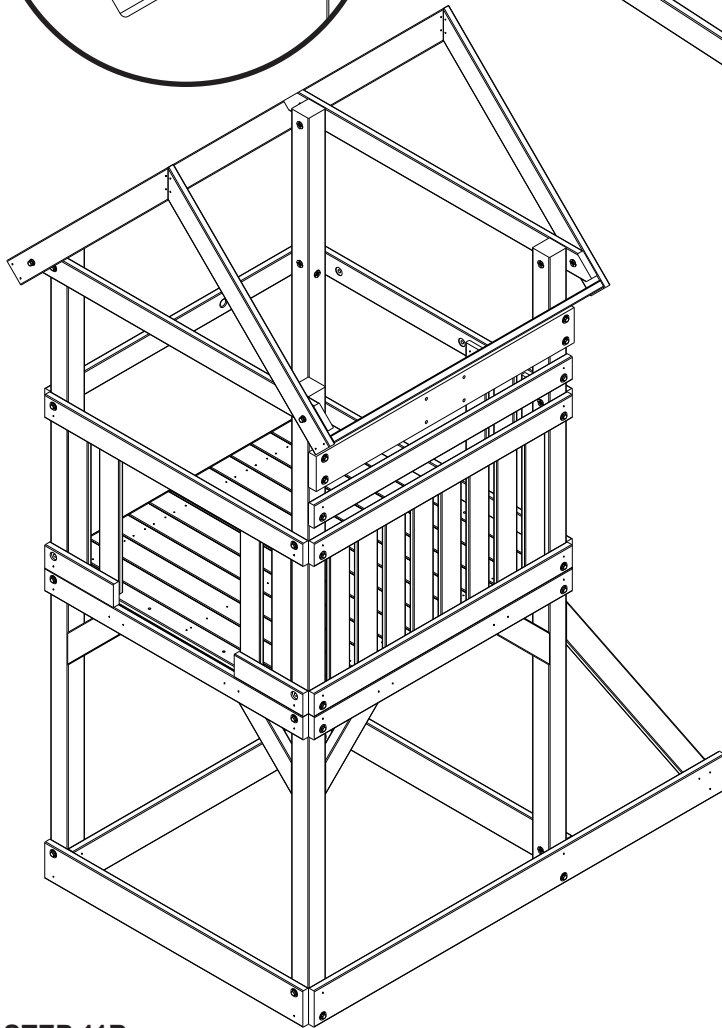
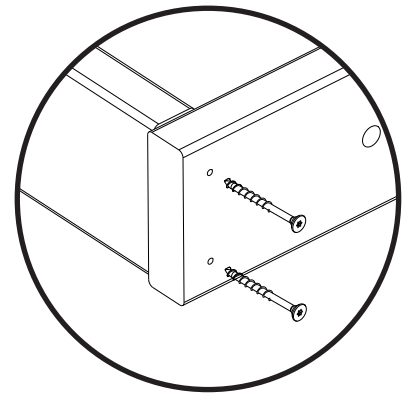
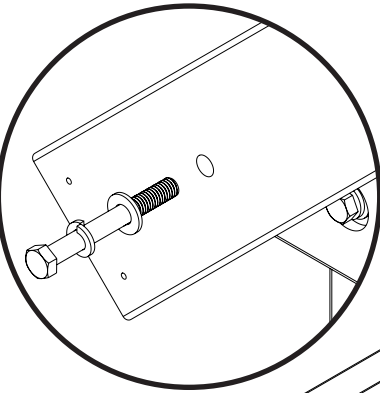
x2

(2) WM729
ROOF A-FRAME

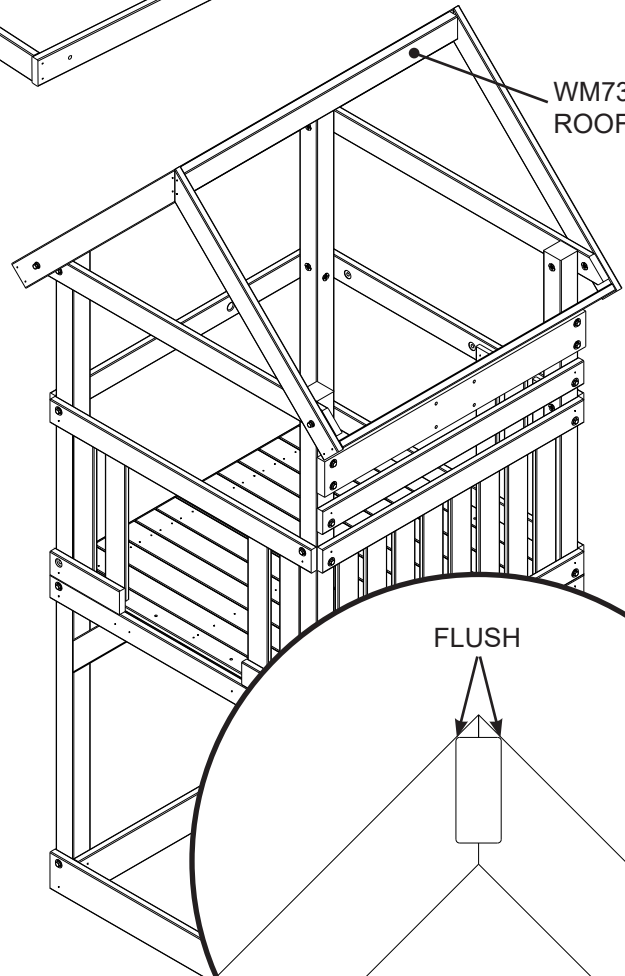
WM731
ROOF TARP END

1/4"

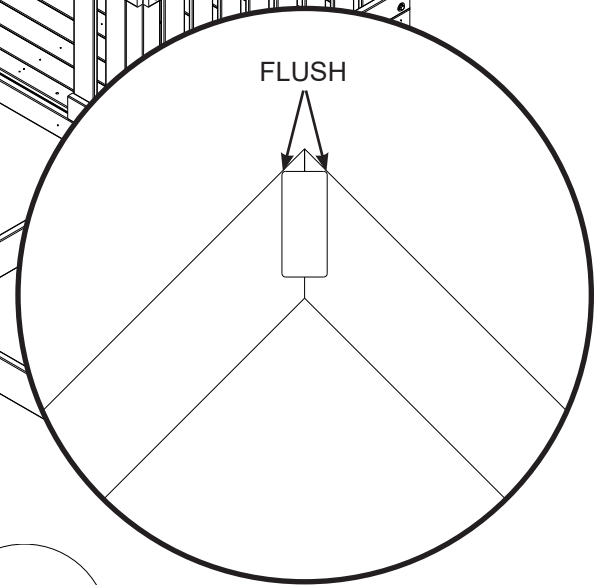
WM730
ROOF RIDGE

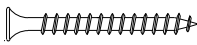


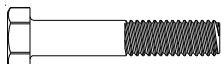
STEP 11B



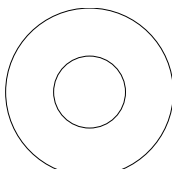
STEP 11C




2" Deck Screw (x16)

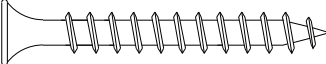
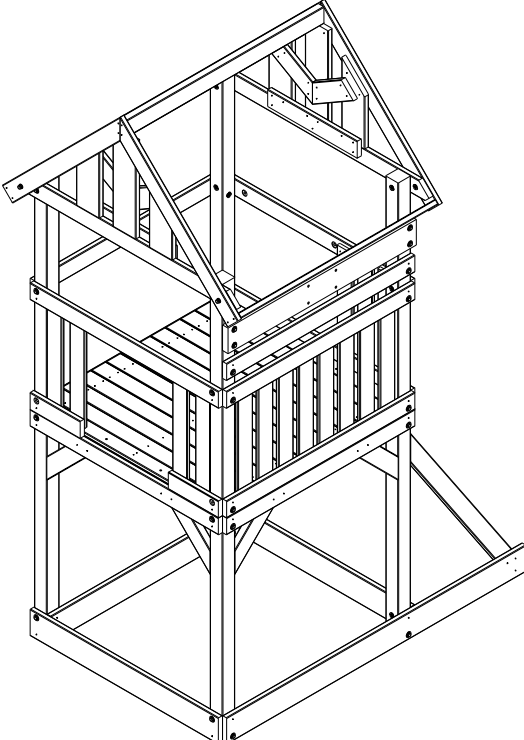
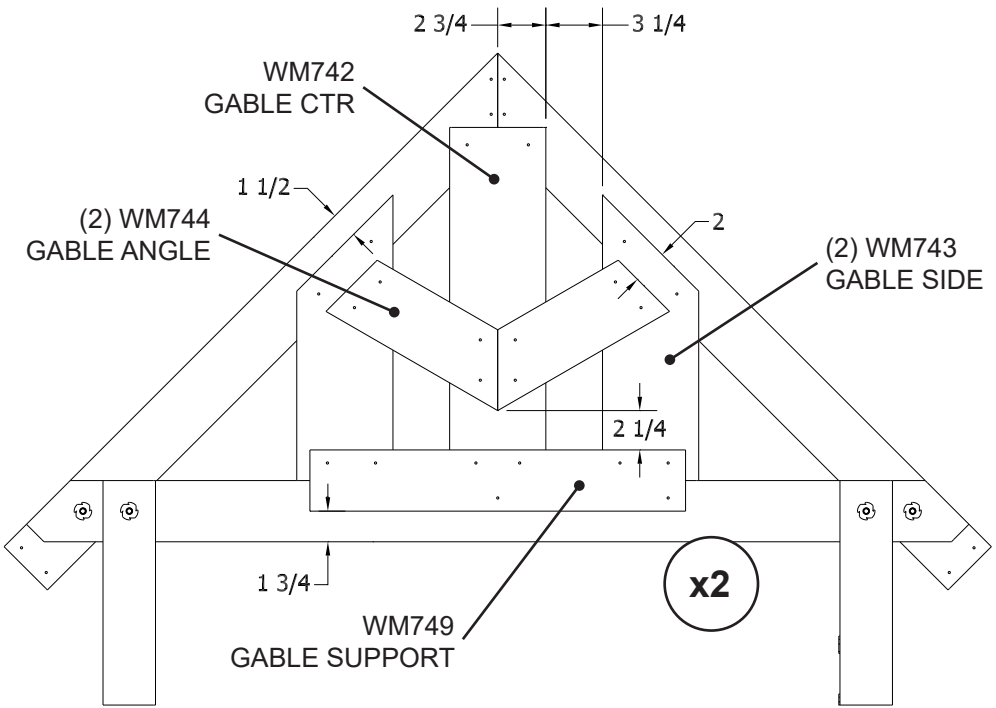

3/8-16 x 2" Hex Bolt (x4)


3/8 Lock Washer (x4)


3/8 Washer (x4)

1. Assemble two Roof A-Frames and attach as shown.
2. Attach Roof Ridge board as shown

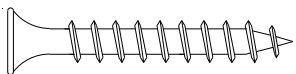
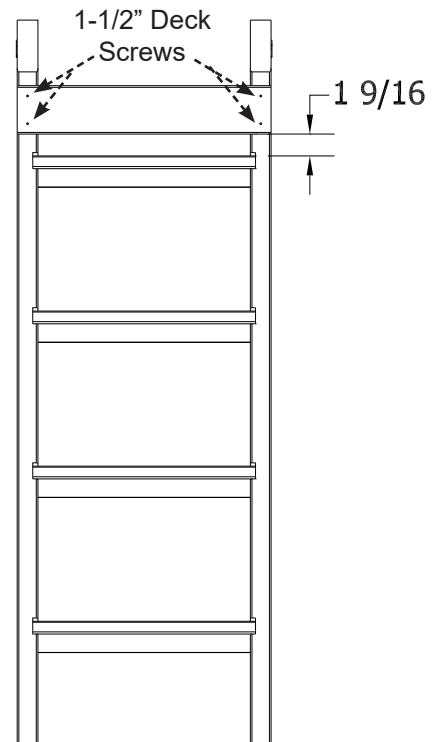
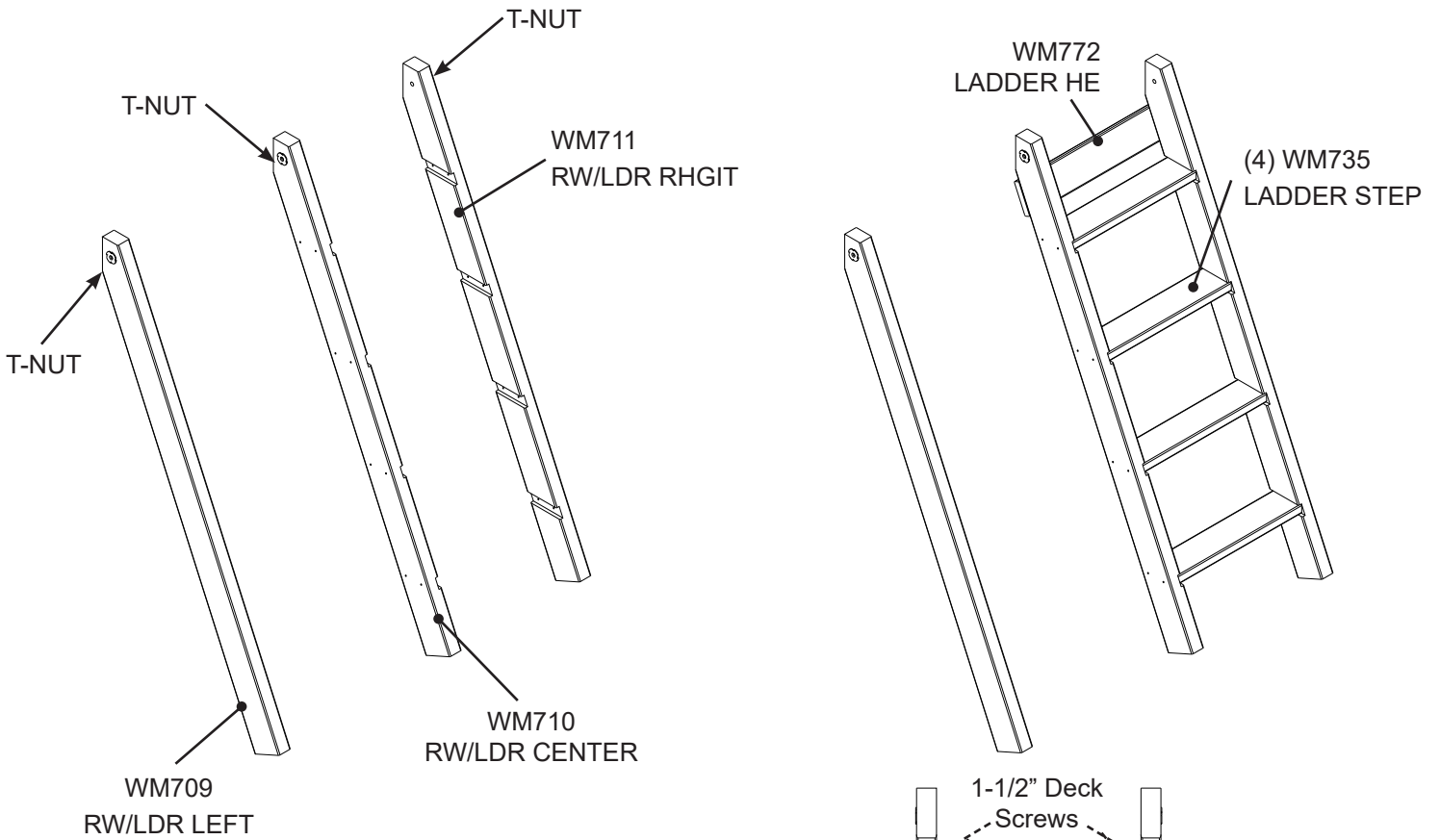
STEP 12



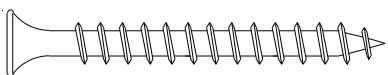
1-3/4" Deck Screw (x46)

1. Attach Gable boards as shown.

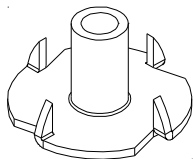
STEP 13



1-1/2" Deck Screw (x4)



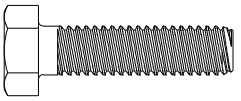
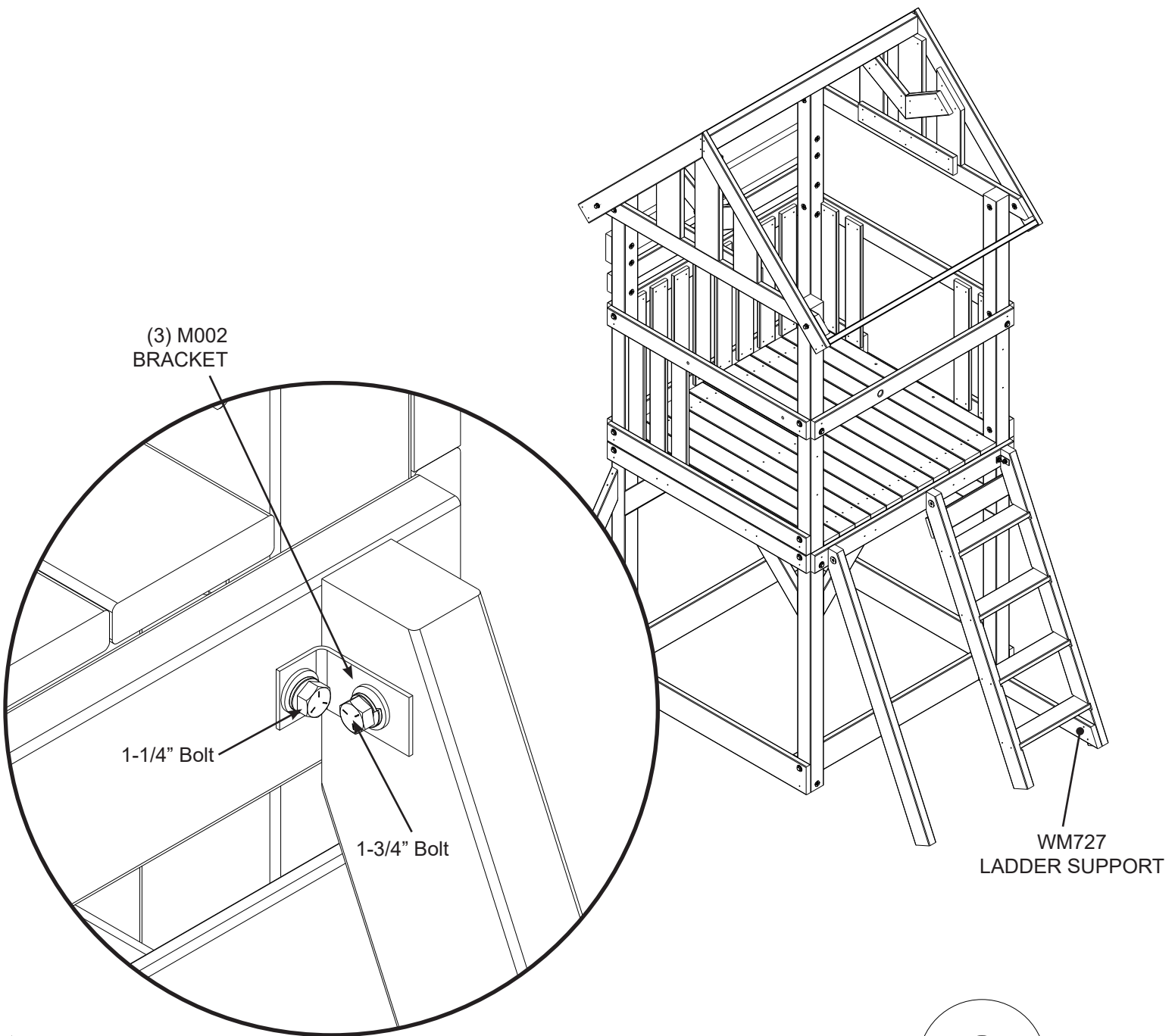
2" Deck Screw (x16)



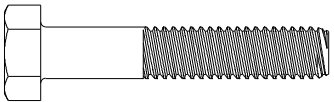
5/16-18 T-Nut (x3)

1. Install T-Nuts as shown. **NOTE** the hole orientation for each board.
2. Attach Ladder steps and HE board as shown.

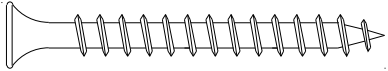
STEP 14



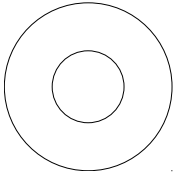
5/16-18 x 1-1/4" Hex Bolt (x3)



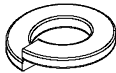
5/16-18 x 1-3/4" Hex Bolt (x3)



2" Deck Screw (x4)



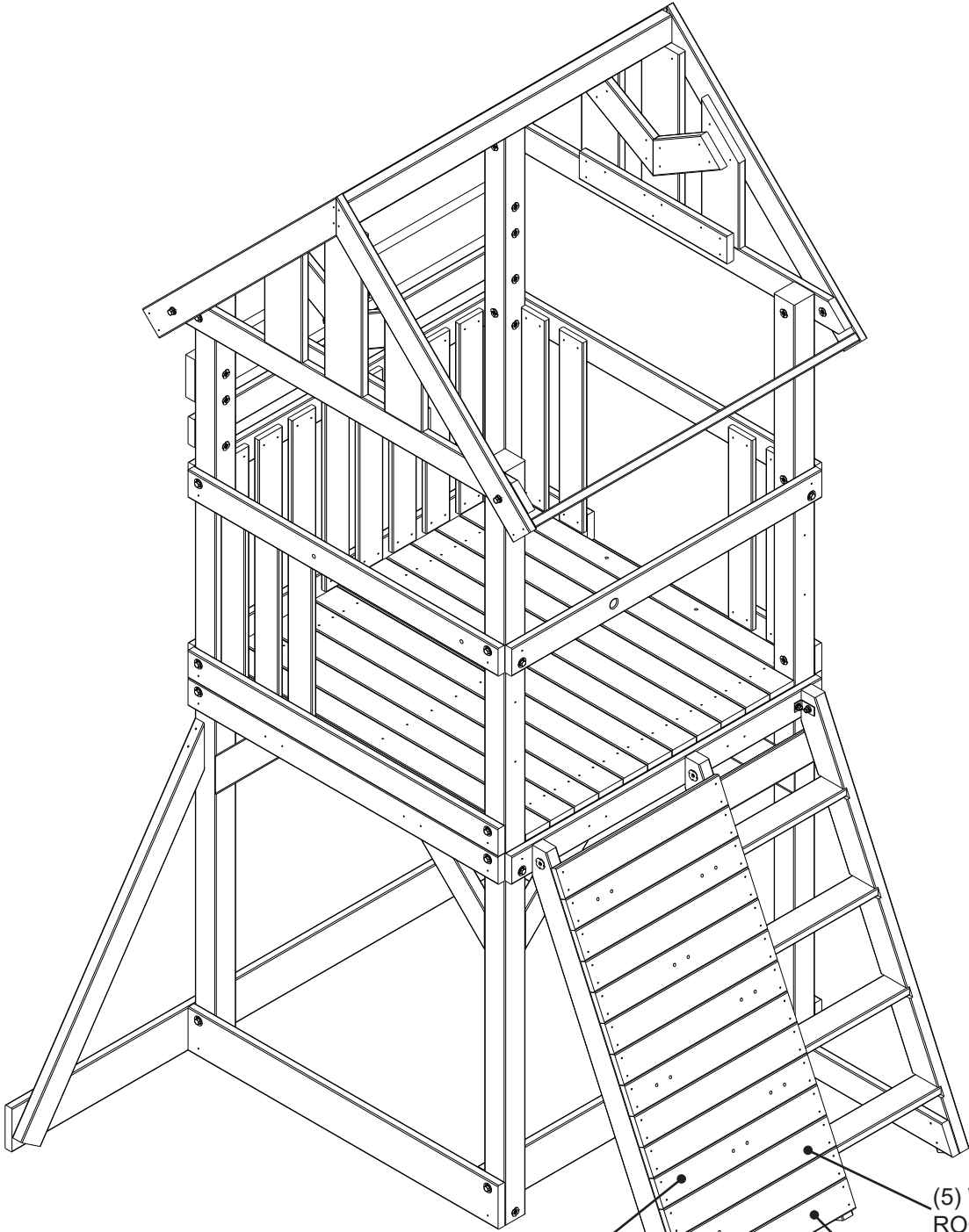
5/16 Washer (x6)



5/16 Lock Washer (x6)

1. Attach Brackets to deck support, then attach the Ladder and Rockwall support boards as shown
NOTE ladder board(s) orientation
2. Attach ladder support board as shown

STEP 15

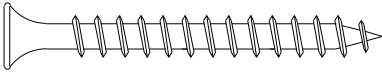


(2) WM722
ROCKWALL - CENTER

(6) WM737
ROCKWALL - SIDE

WM723
ROCKWALL - BOTTOM

(5) WM734
ROCKWALL

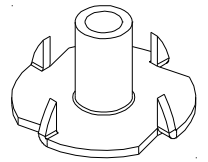


2" Deck Screw (x56)

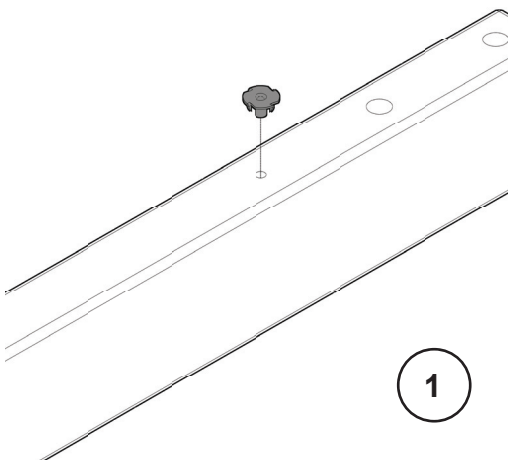
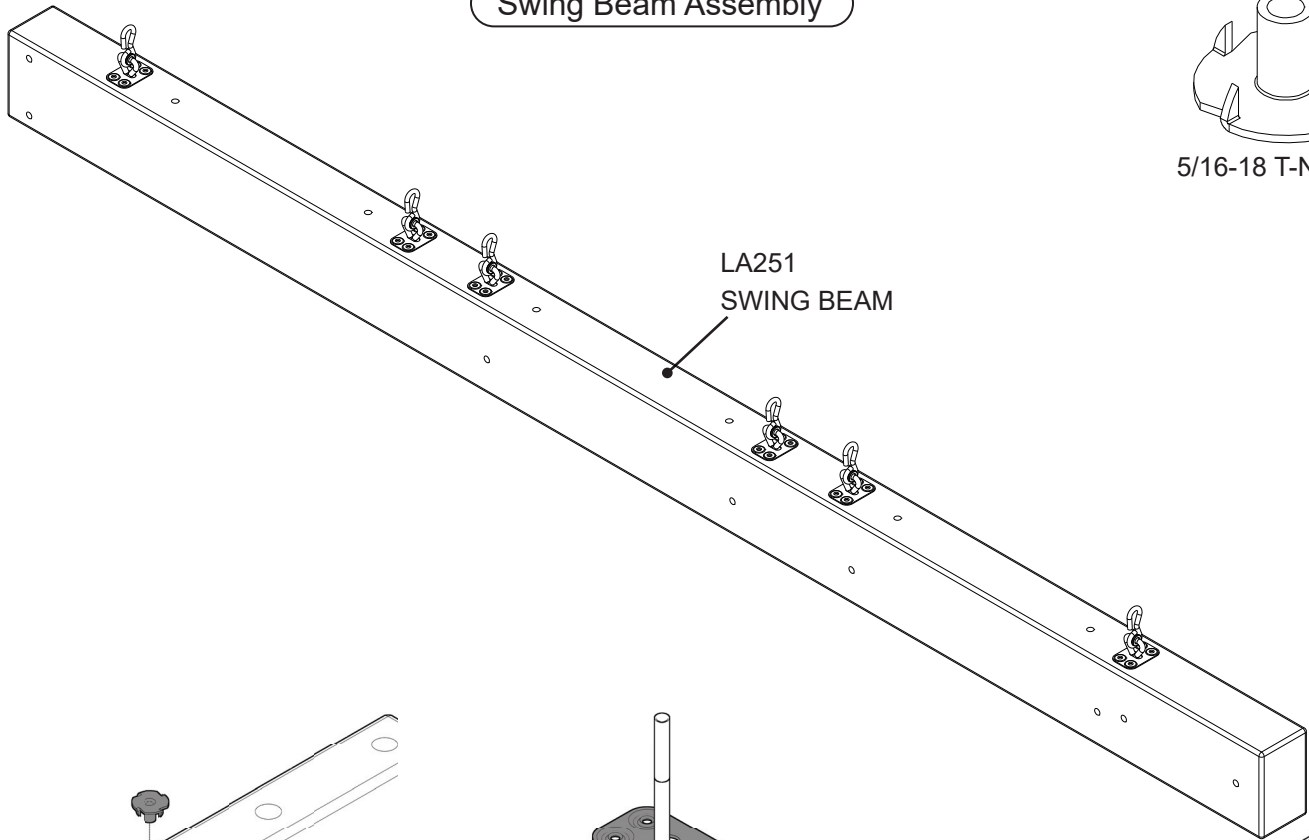
1. Attach Rockwall boards as shown **NOTE** rock mounting hole(s) orientation

STEP 16

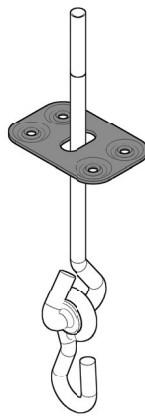
Swing Beam Assembly



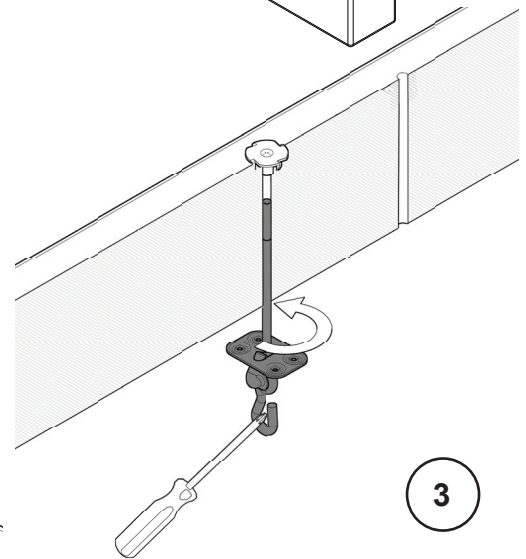
5/16-18 T-Nut (x6)



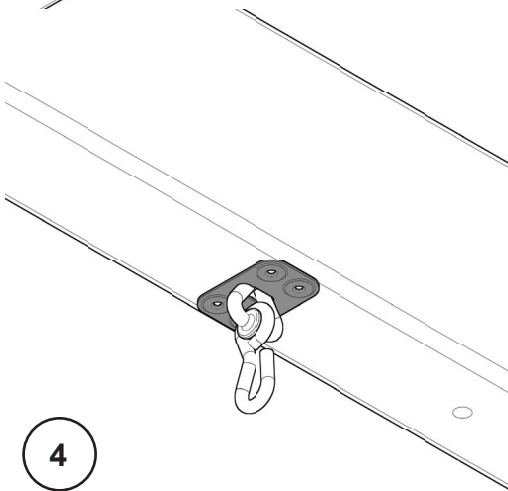
1



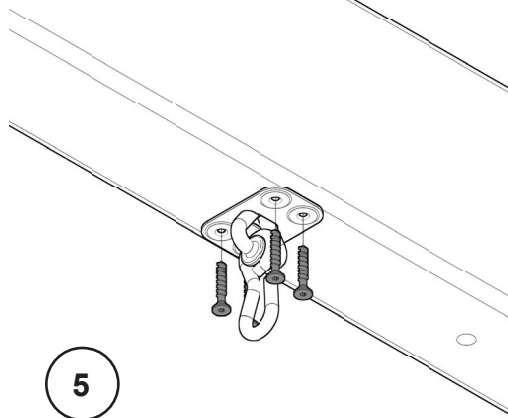
2



3

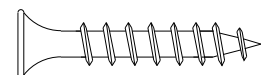


4



5

TIP:
Slide a screwdriver thru the Hanger hook to help tighten it into the T-Nut



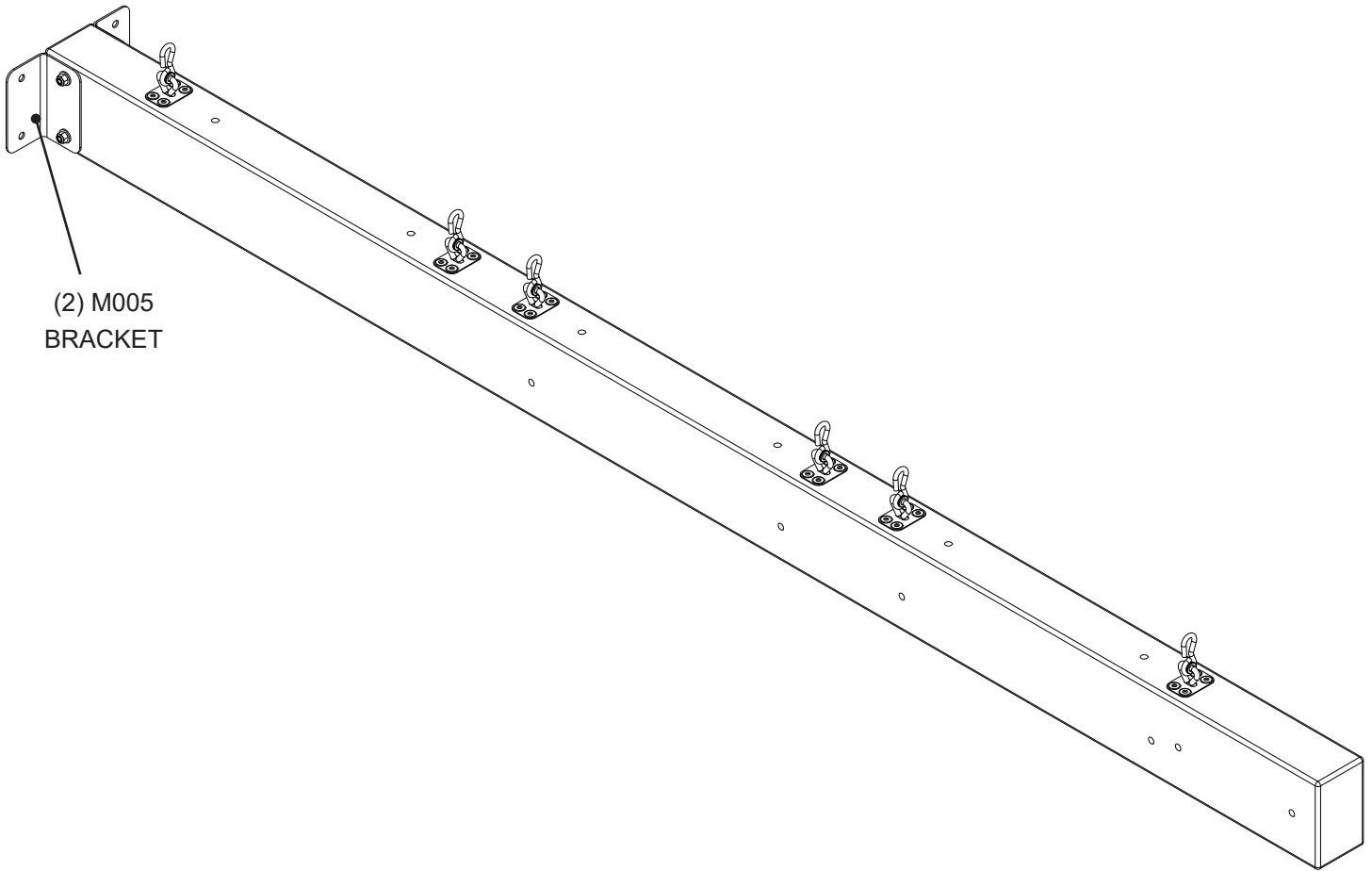
1-1/4" Deck Screw (x24)

1. Attach Swing Hangers to swing beam as shown.

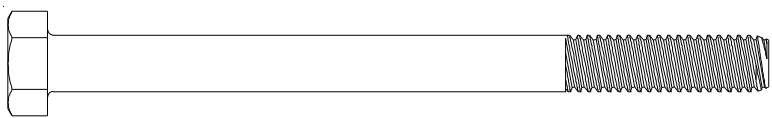
Note plate & swing hanger must be tight against bottom of swing beam prior to step 5.

STEP 17

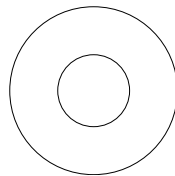
Swing Beam Assembly



(2) M005
BRACKET



5/16-18 x 4" Hex Bolt (x2)



5/16 Washer (x4)

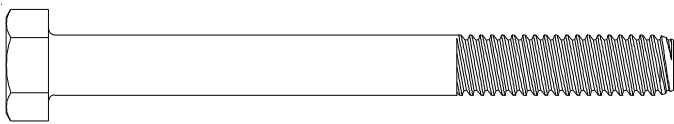
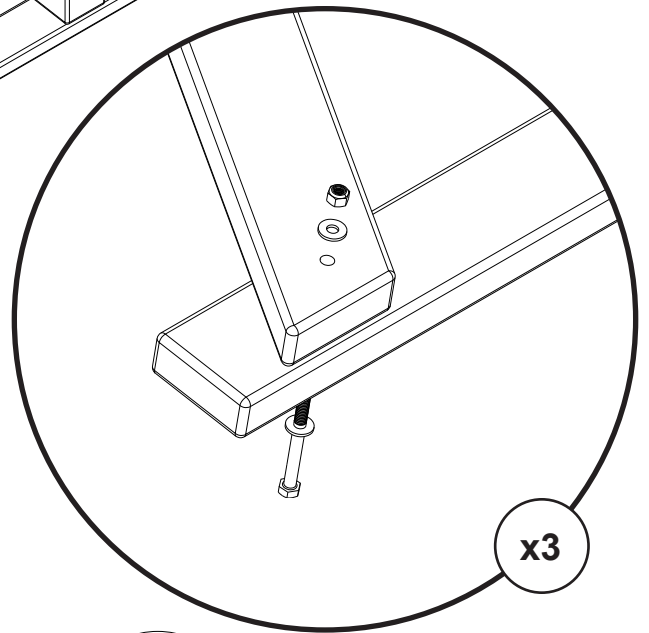
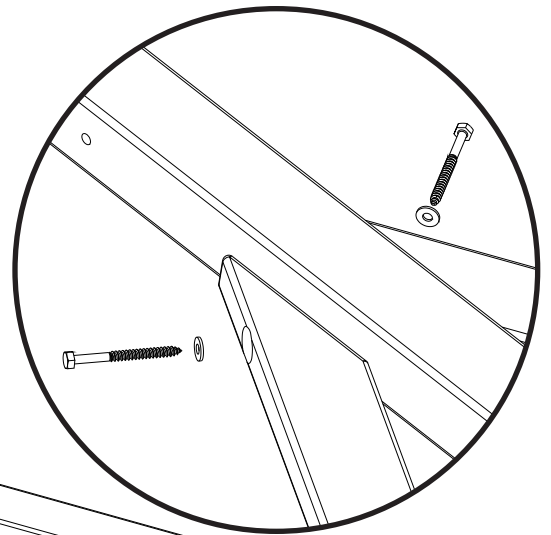
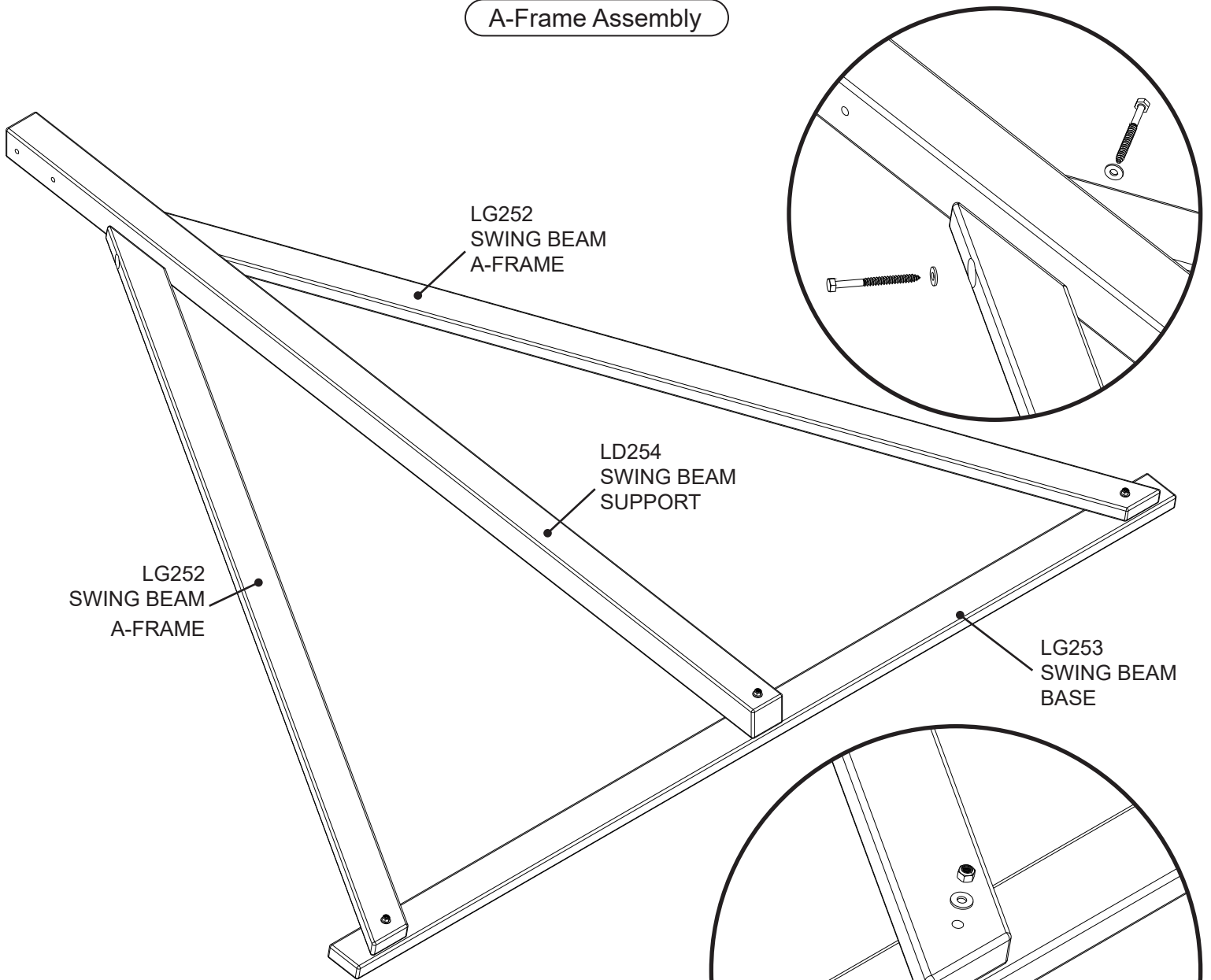


5/16-18 Lock Nut (x2)

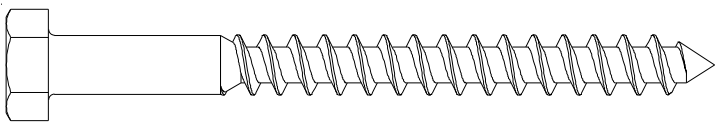
1. Attach Brackets to swing beam as shown.

STEP 18

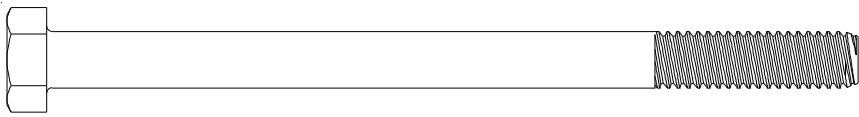
A-Frame Assembly



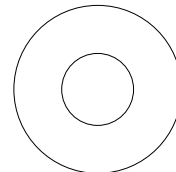
5/16-18 x 3-1/4" Hex Bolt (x2)



5/16-18 x 3-1/2" Lag Screw (x2)



5/16-18 x 4-1/2" Hex Bolt (x1)



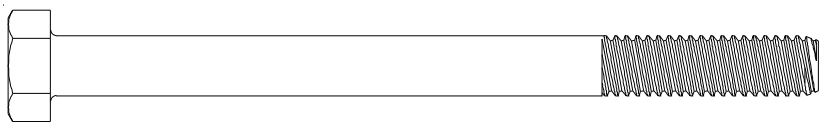
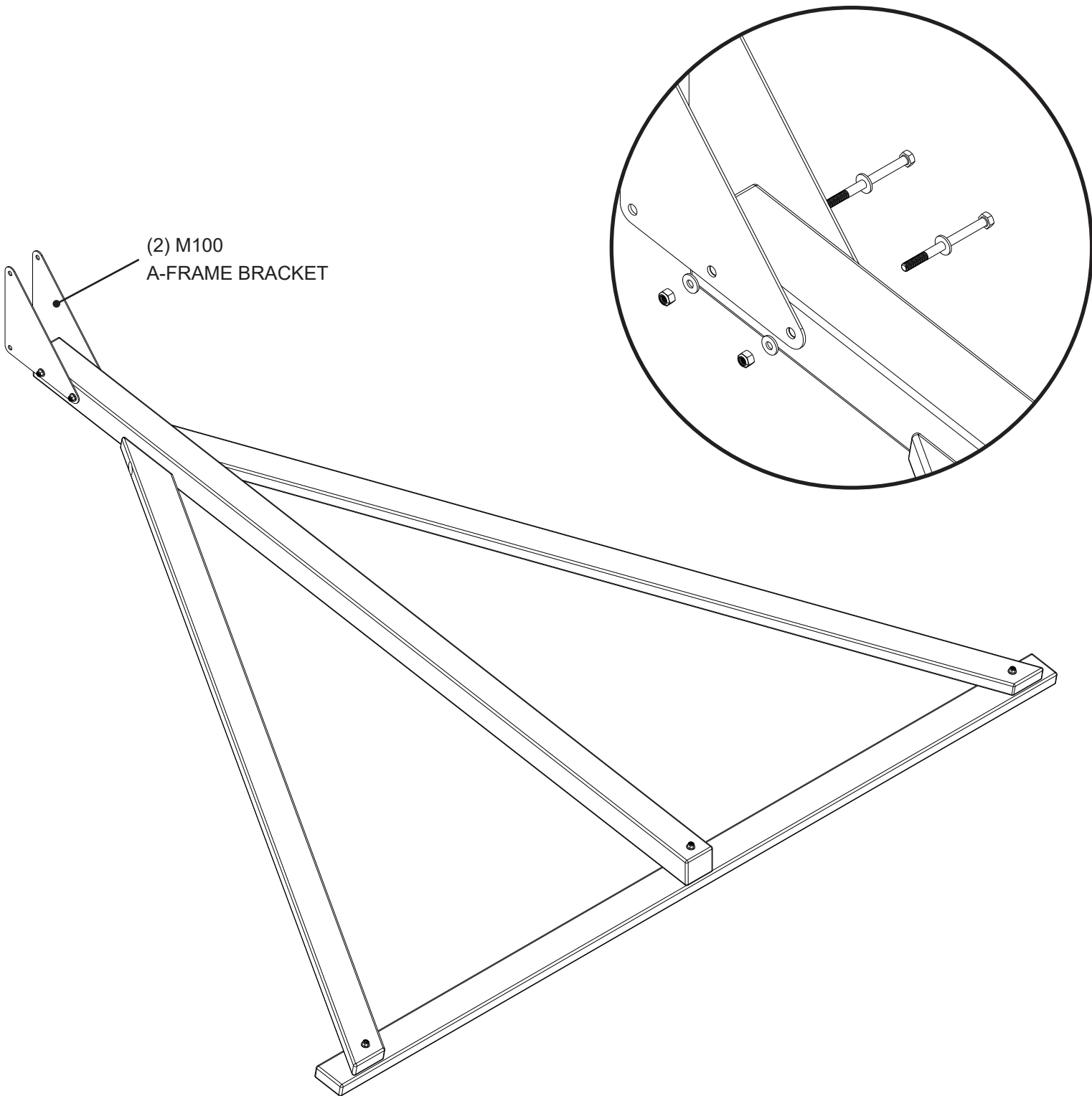
5/16 Washer (x8)



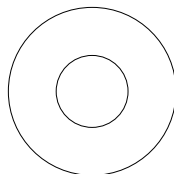
5/16-18 Lock Nut (x3)

1. Assemble A-Frame assembly as shown.

STEP 19



5/16-18 x 4" Hex Bolt (x2)



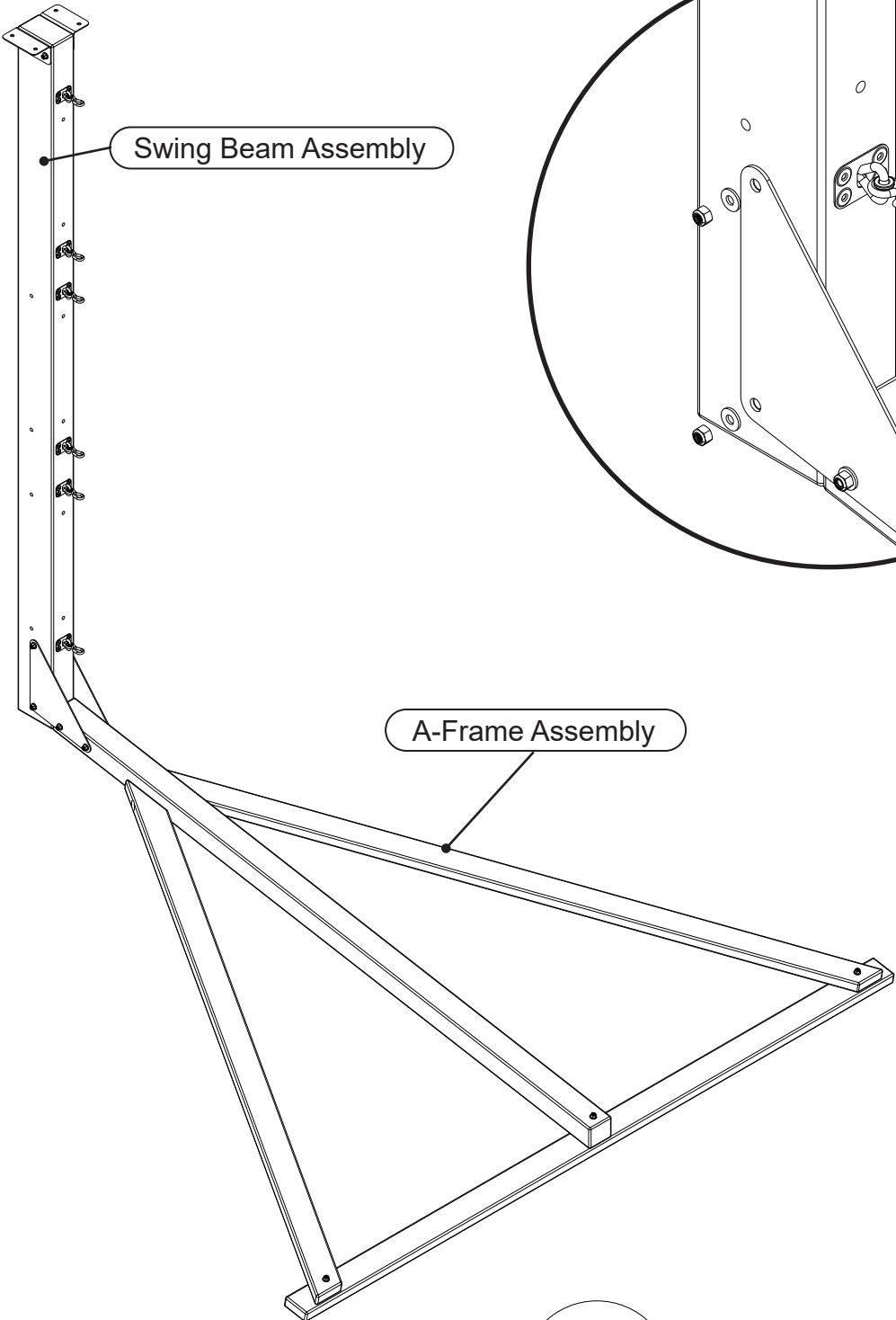
5/16 Washer (x4)



5/16-18 Lock Nut (x2)

1. Attach A-Frame brackets as shown.

STEP 20

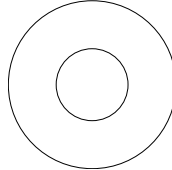


Swing Beam Assembly

A-Frame Assembly



5/16-18 x 4" Hex Bolt (x2)



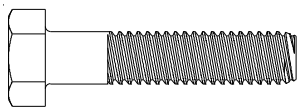
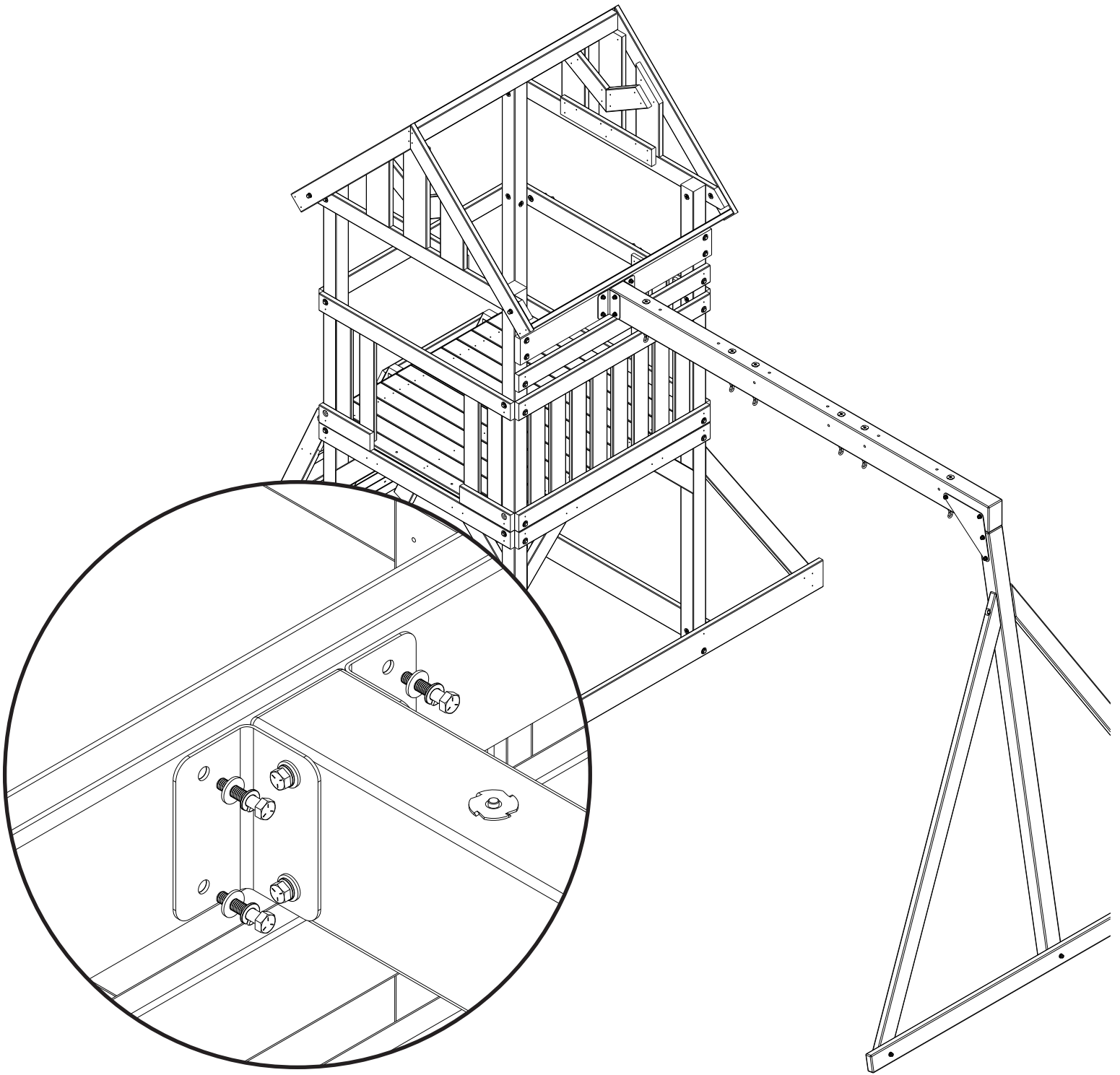
5/16 Washer (x4)



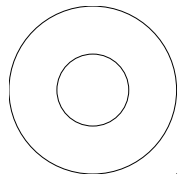
5/16-18 Lock Nut (x2)

1. Attach Swing Beam assembly to A-Frame assembly as shown.

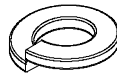
STEP 21



5/16-18 x 1-1/2" Hex Bolt (x4)



5/16 Washer (x4)

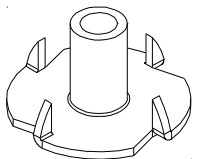
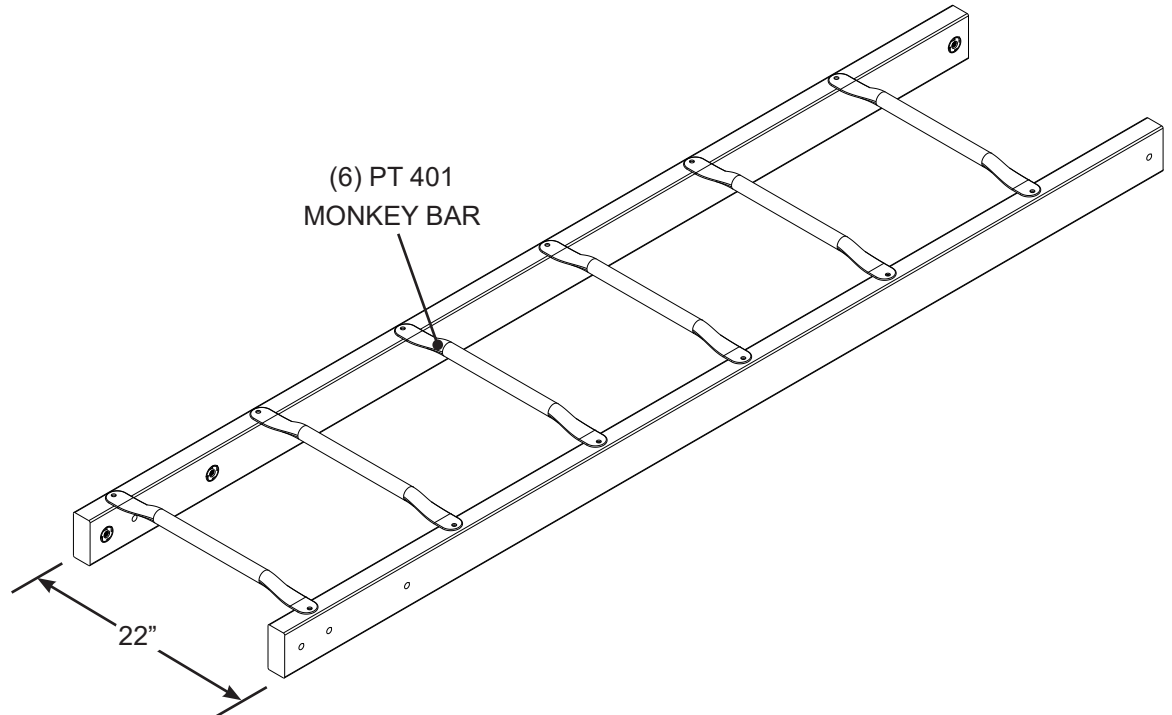
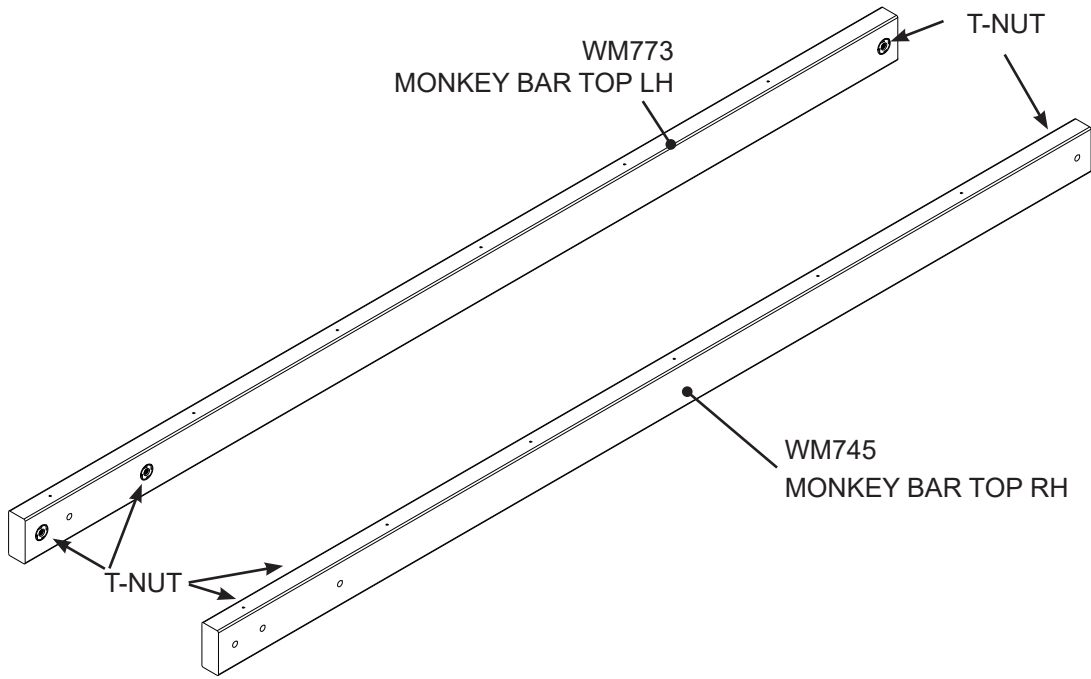


5/16 Lock Washer (x4)

1. Attach Swing Beam Assembly to tower as shown.

STEP 22

TOP RUNG ASSEMBLY

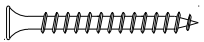
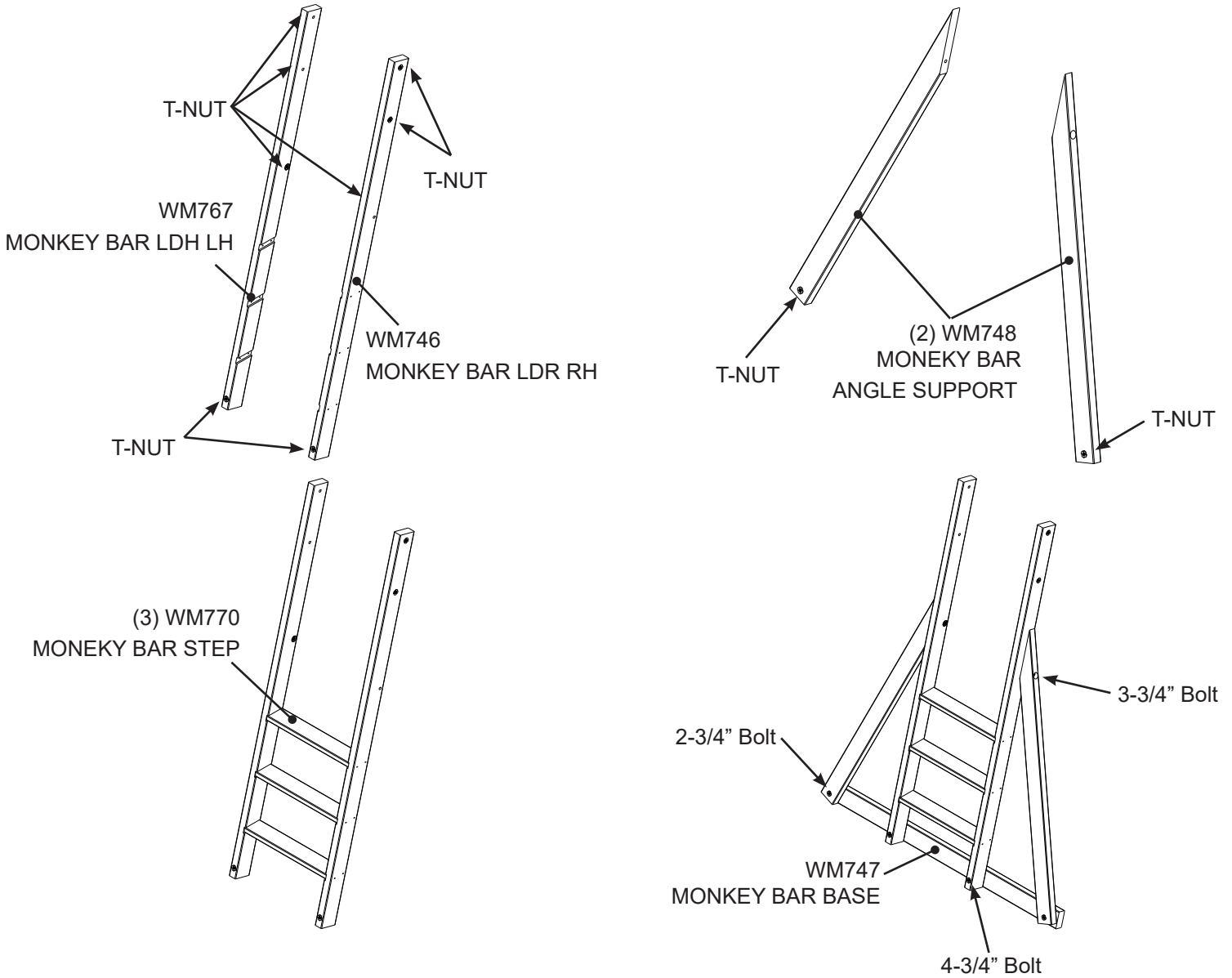


3/8-16 T-Nut (x6)

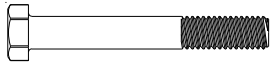
1. Insert T-Nut(s) into supports as shown. **NOTE** the hole orientation and T-Nut locations.
2. Attach Monkey Bar(s) with hardware from accessory kit as shown.

STEP 23

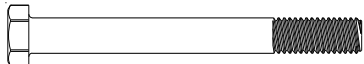
LADDER ASSEMBLY



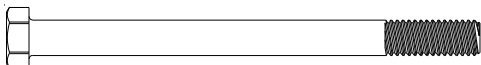
2" Deck Screw (x12)



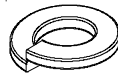
3/8-16 x 2-3/4" Hex Bolt (x2)



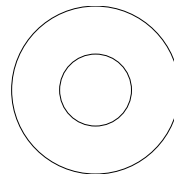
3/8-16 x 3-3/4" Hex Bolt (x2)



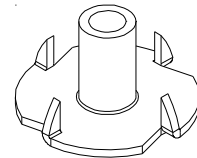
3/8-16 x 4-3/4" Hex Bolt (x2)



3/8 Lock Washer (x6)



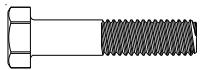
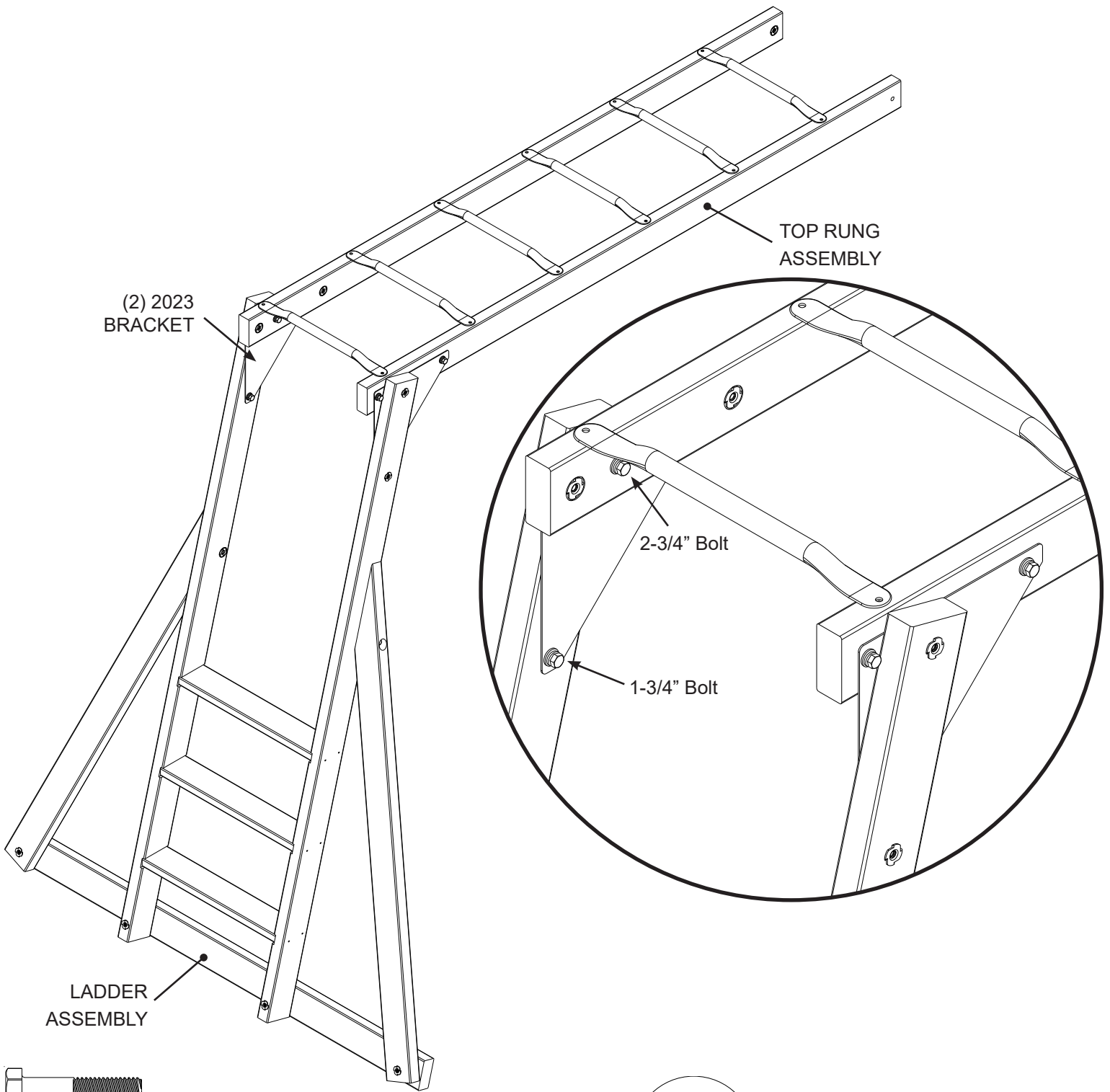
3/8 Washer (x6)



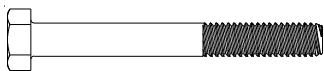
3/8-16 T-Nut (x10)

1. Insert T-Nut(s) into supports as shown. **NOTE** the hole orientation and T-Nut locations.
2. Attach Monkey Bar Step(s) as shown.
3. Attach Angle and Base boards as shown.

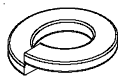
STEP 24



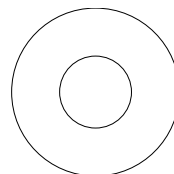
3/8-16 x 1-3/4" Hex Bolt (x6)



3/8-16 x 2-3/4" Hex Bolt (x2)



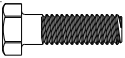
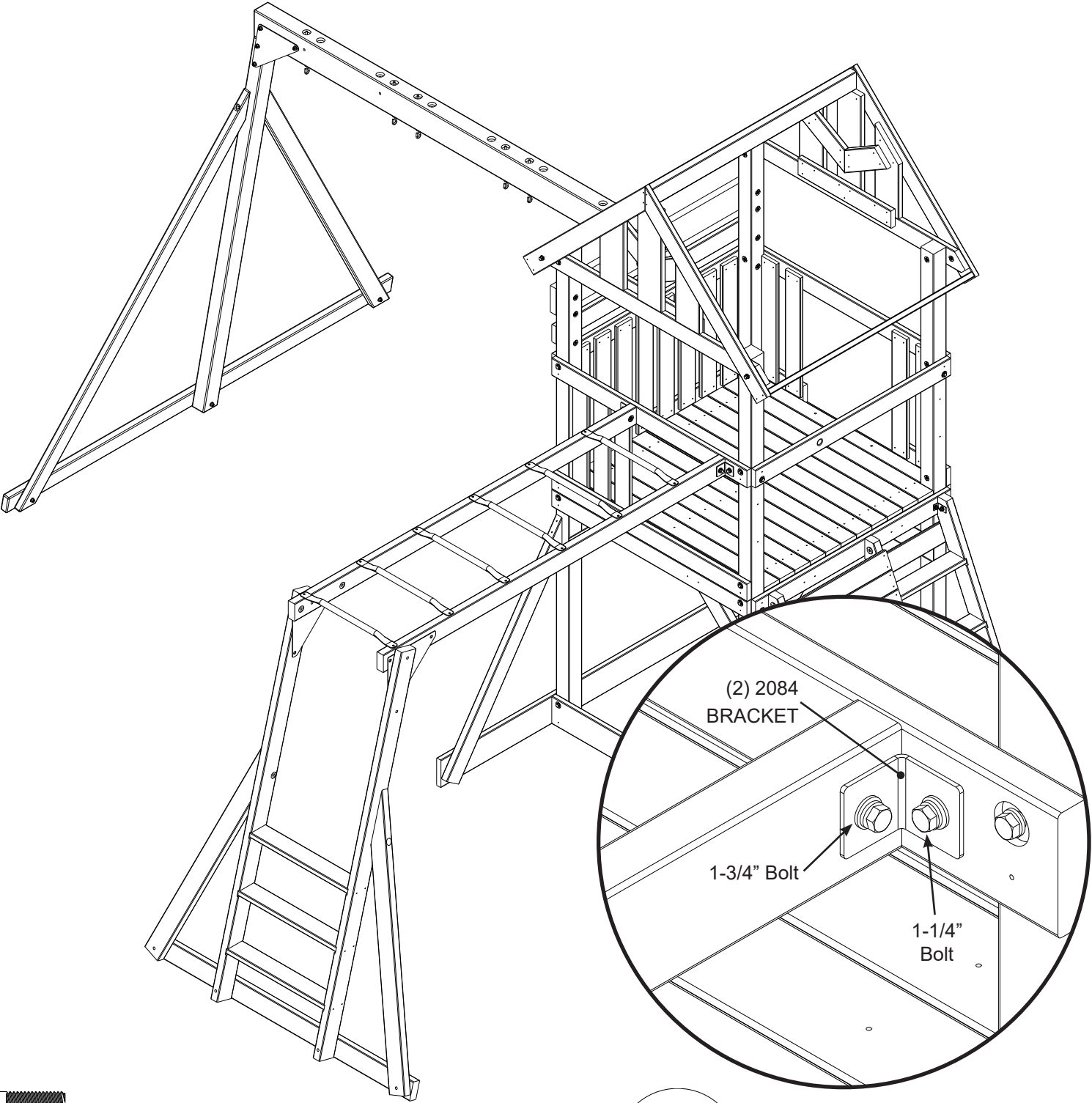
3/8 Lock Washer (x8)



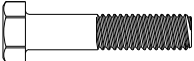
3/8 Washer (x8)

1. Attach Brackets to Top Run Assembly as shown. **NOTE** orientation of bracket holes
2. Attach Ladder Assembly to brackets as shown

STEP 25



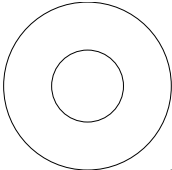
3/8-16 x 1-1/4" Hex Bolt (x2)



3/8-16 x 1-3/4" Hex Bolt (x2)



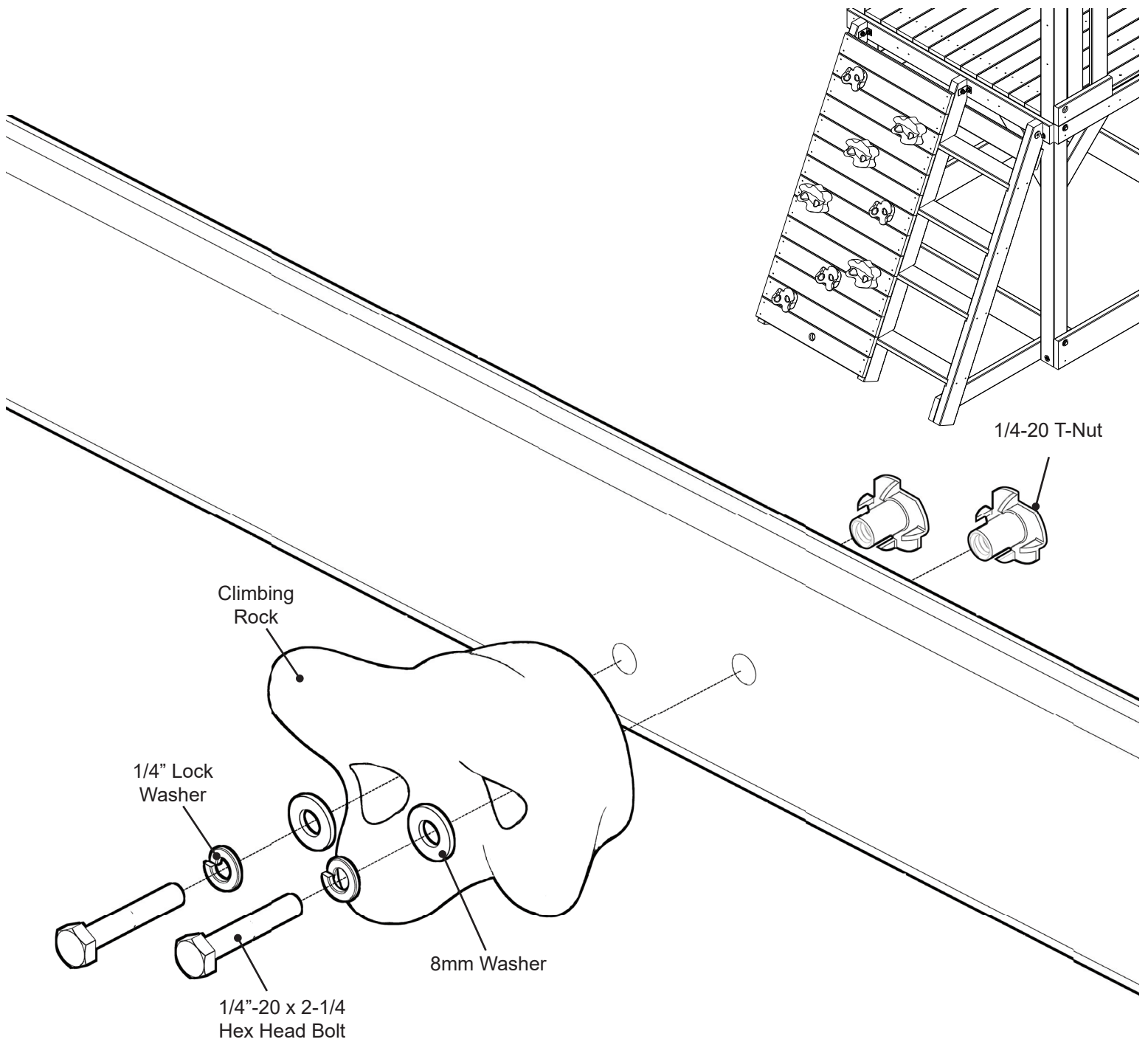
3/8 Lock Washer (x4)



3/8 Washer (x4)

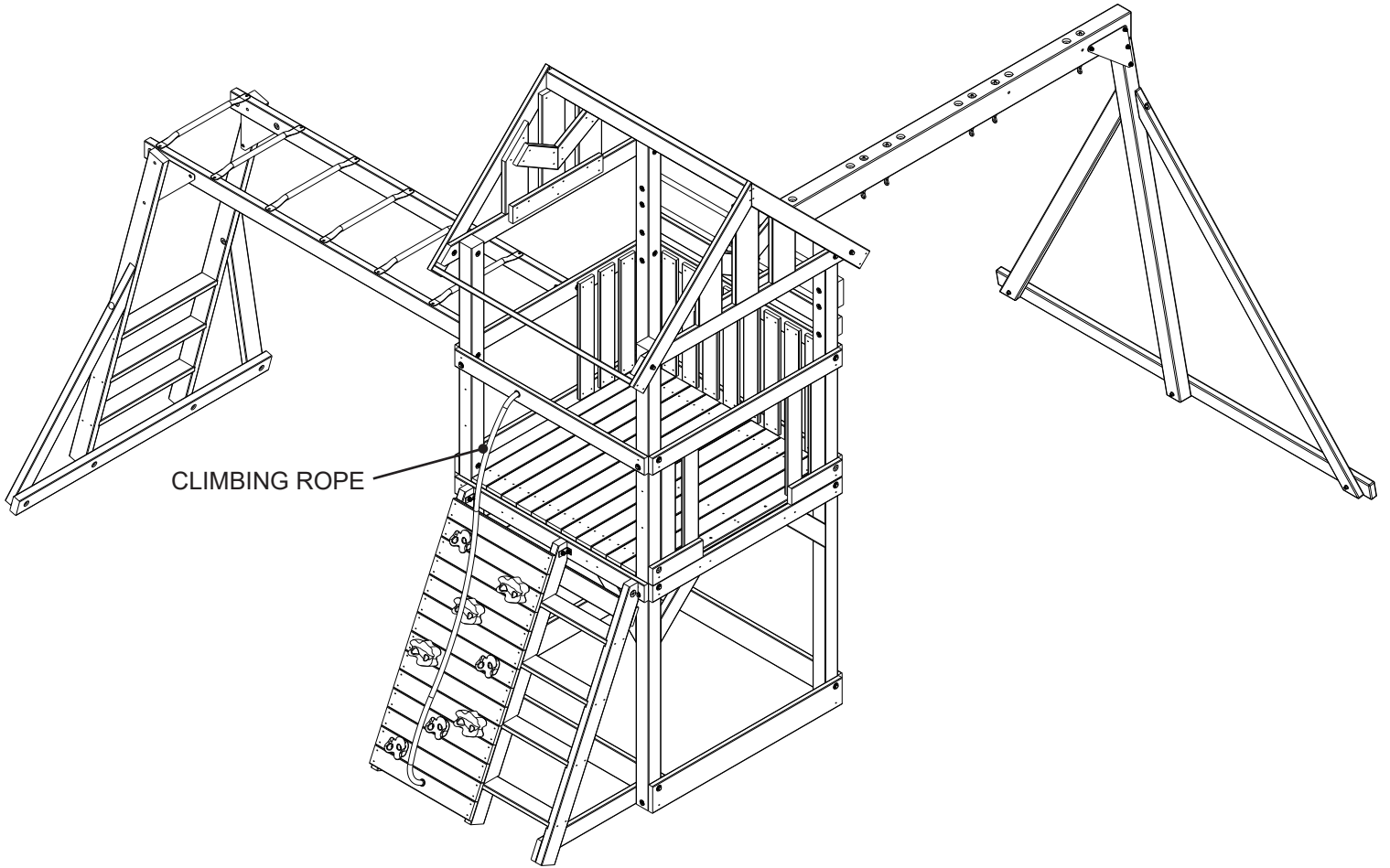
- 1. Attach Brackets to railing as shown.
- 2. Attach Monkey Bar assembly to brackets as shown.

STEP 26



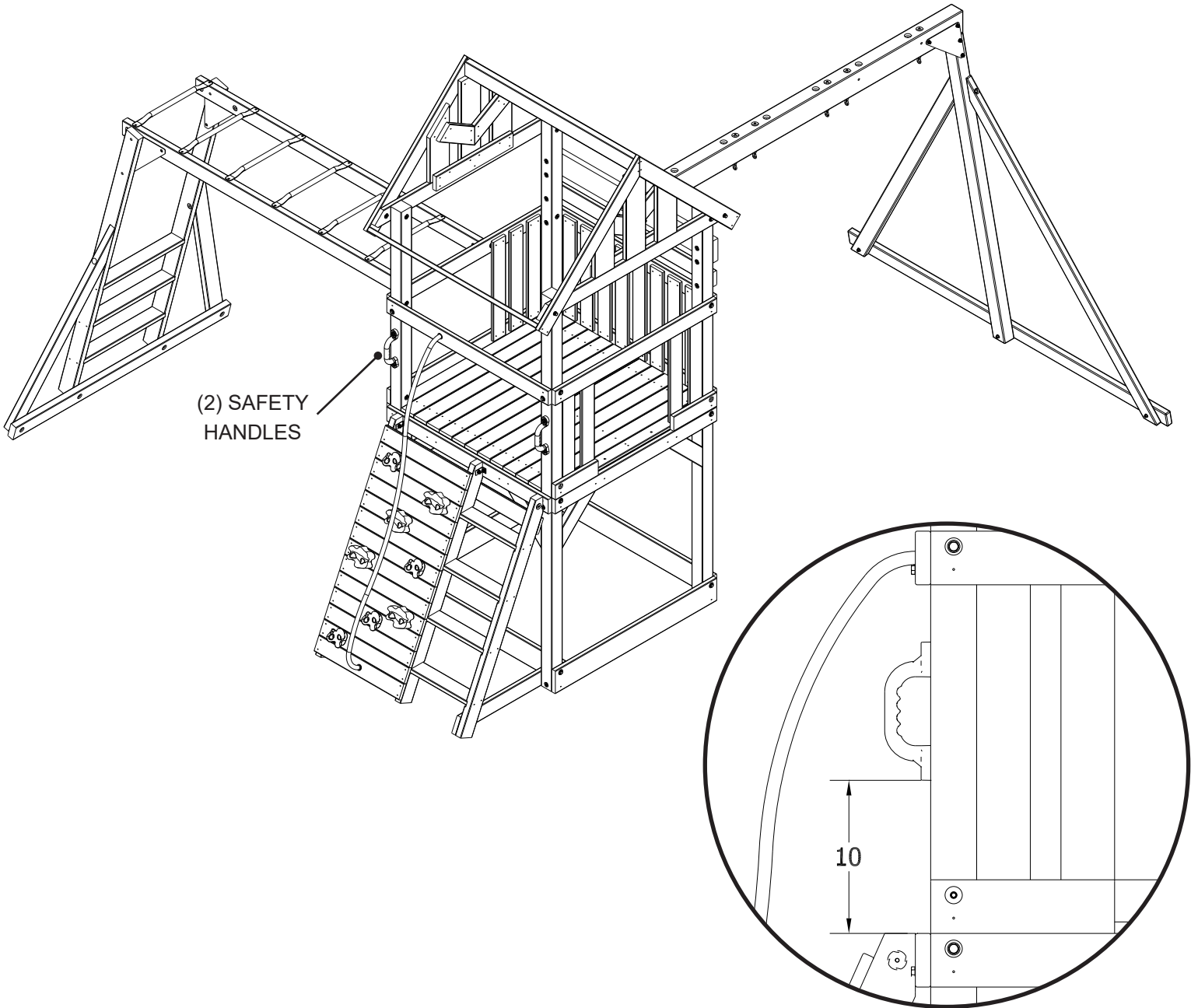
1. Attach Climbing Rocks as shown.
2. Make sure Climbing Rocks and rock wall connections are fully secure before use.

STEP 27



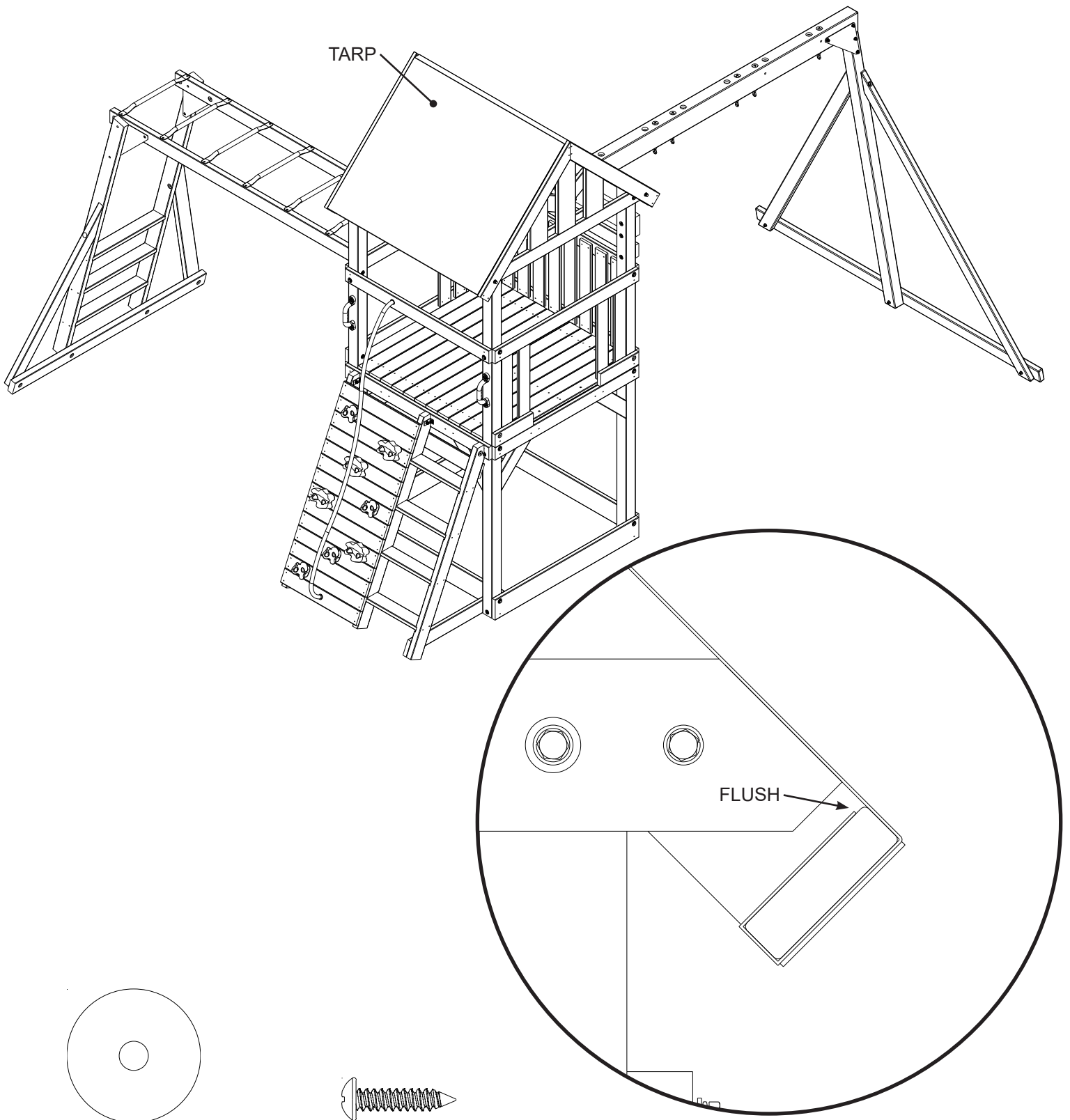
1. Attach Climbing Rope as shown.

STEP 28



1. Attach Safety Handles per accessory plan

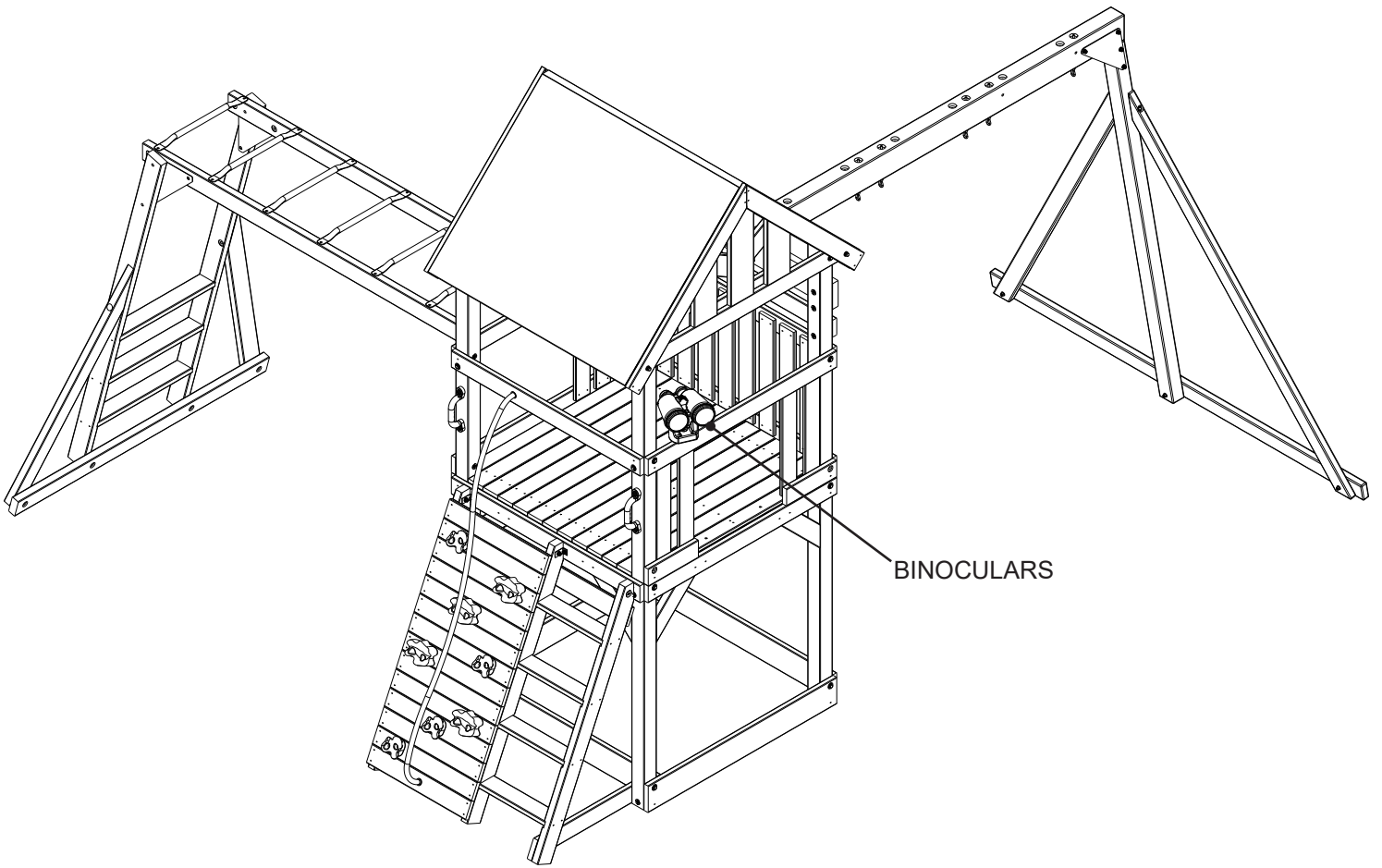
STEP 29



3/16 Fender Washer (x6) #8 x 3/4" Pan Screw (x6)

1. Lay tarp over both Roof End and Roof Ridge as shown.
2. Wrap one end of the tarp under and around a Roof End board, hold flush as shown and secure with (3) washers & screws per end.
3. Pull tarp taught and secure other end.

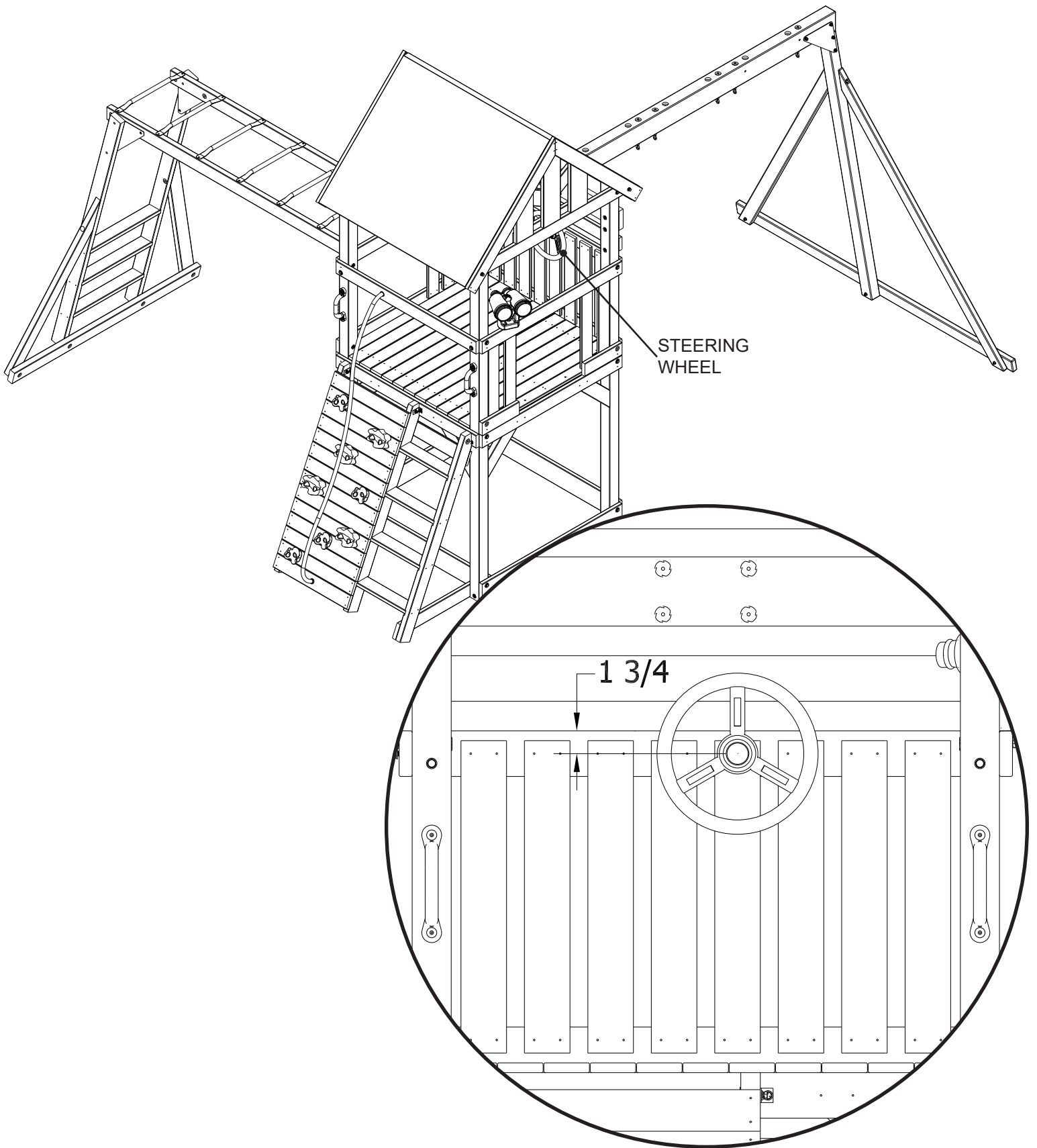
STEP 30



BINOCULARS

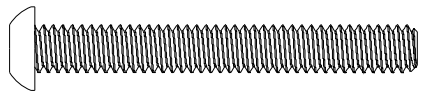
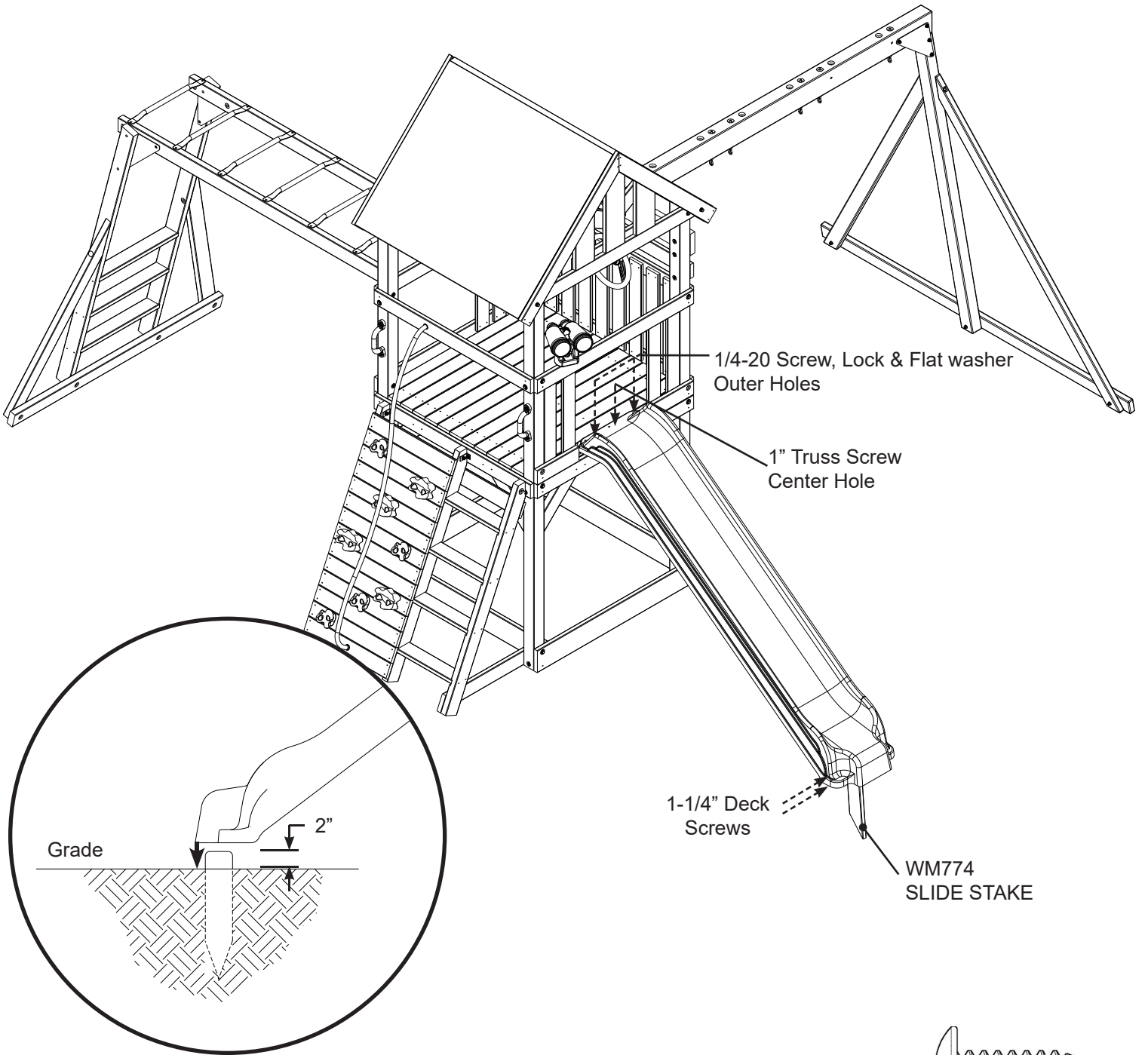
1. Attach Binoculars per accessory plan.

STEP 31



1. Drill a 5/16" hole at the location shown and attach Steering Wheel per accessory plan.

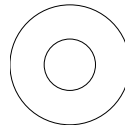
STEP 32



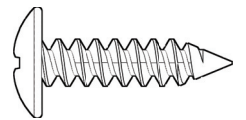
1/4-20 x 2" Button Head Bolt (x2)



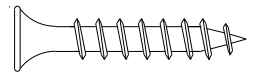
1/4 Lock Washer (x2)



1/4 Washer (x2)



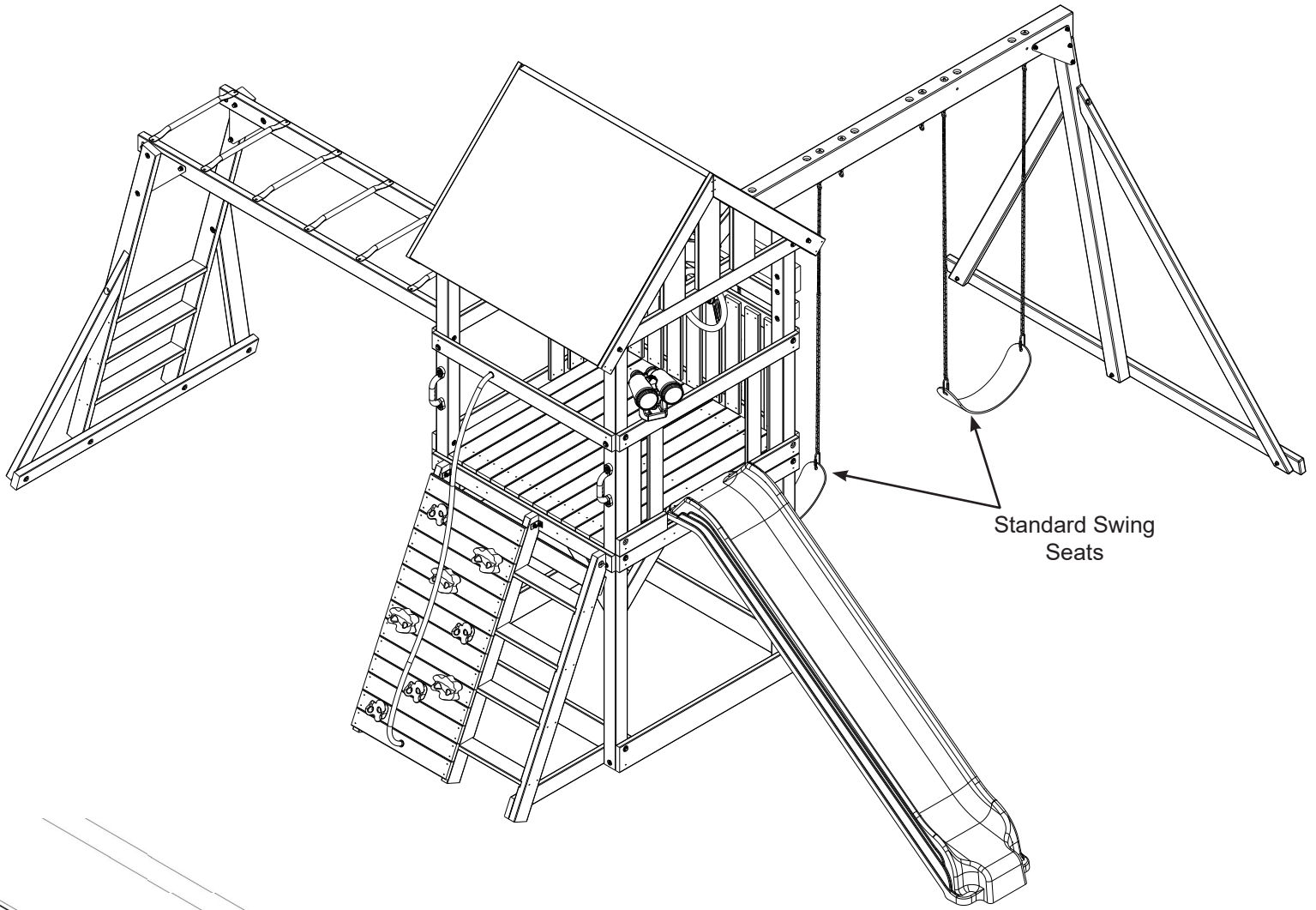
1" Truss Screw (x1)



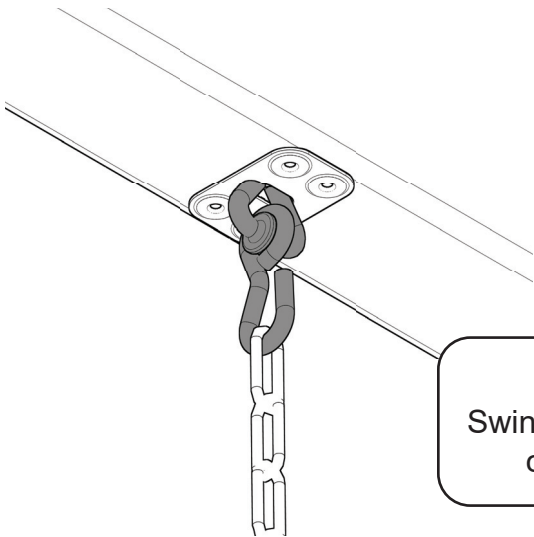
1-1/4" Deck Screw (x2)

1. Attach slide using (2) 1/4-20 Screw, Lock Washer & Flat washer on the outside slide holes.
2. Install (1) Truss screw into center slide hole.
3. Install Slide Stake and screws as shown.

STEP 33



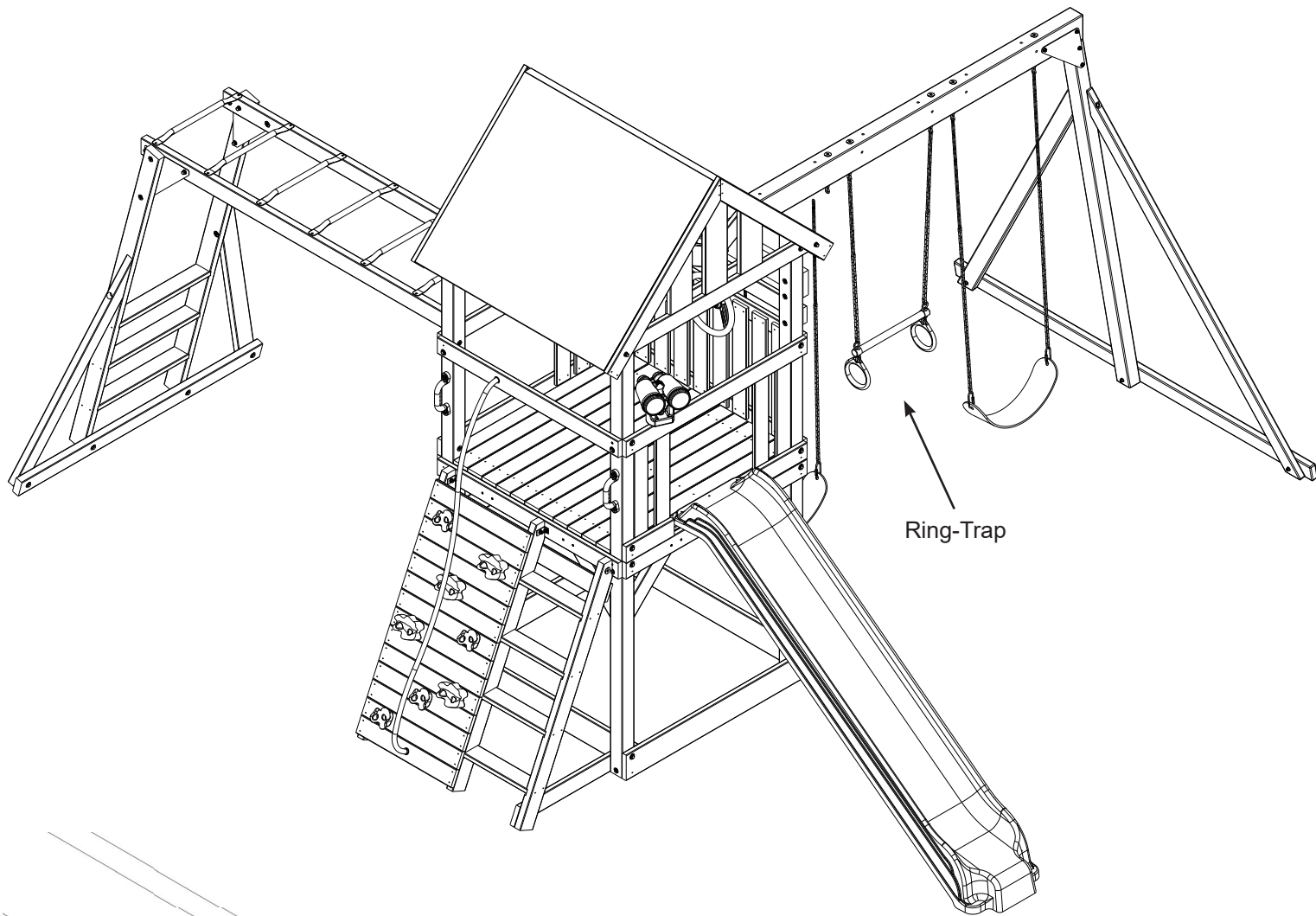
Standard Swing Seats



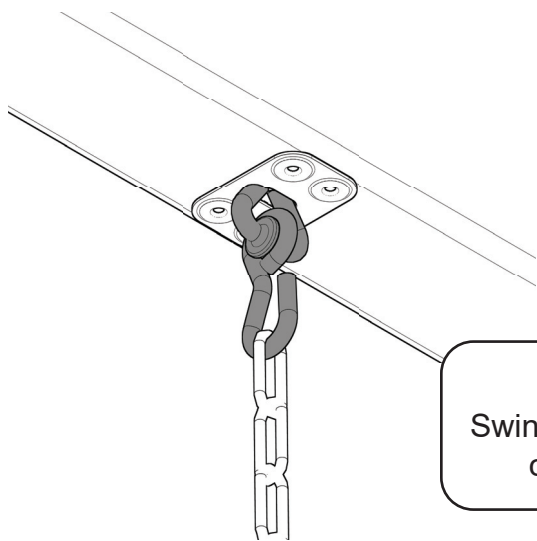
NOTE:
Swing Hanger must be crimped close.

1. Assemble Standard Swing Seat(s) per accessory plan and mount to swing hangers as shown.

STEP 34



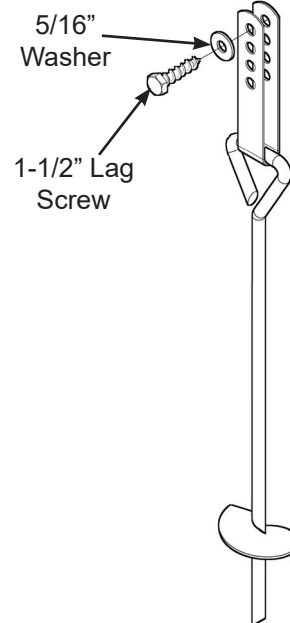
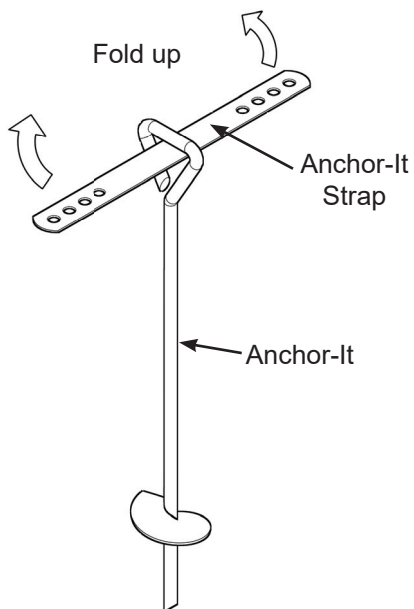
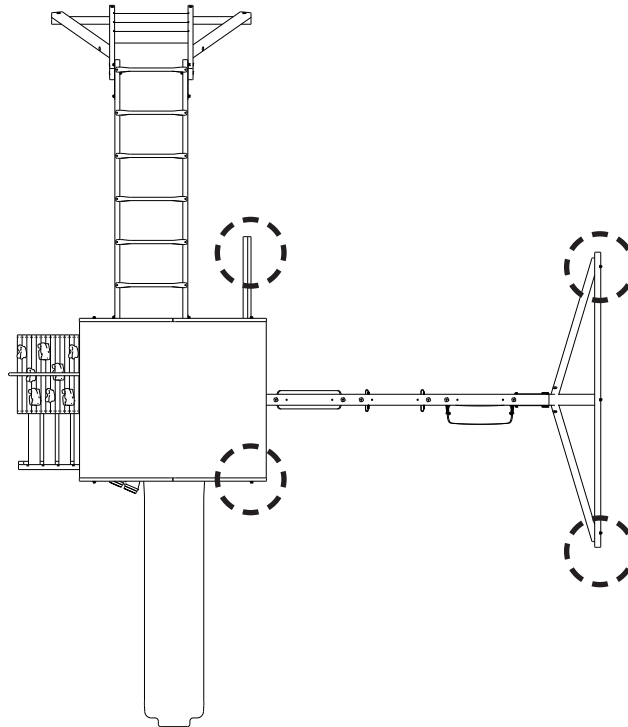
Ring-Trap



NOTE:
Swing Hanger must be
crimped close.

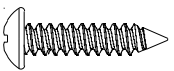
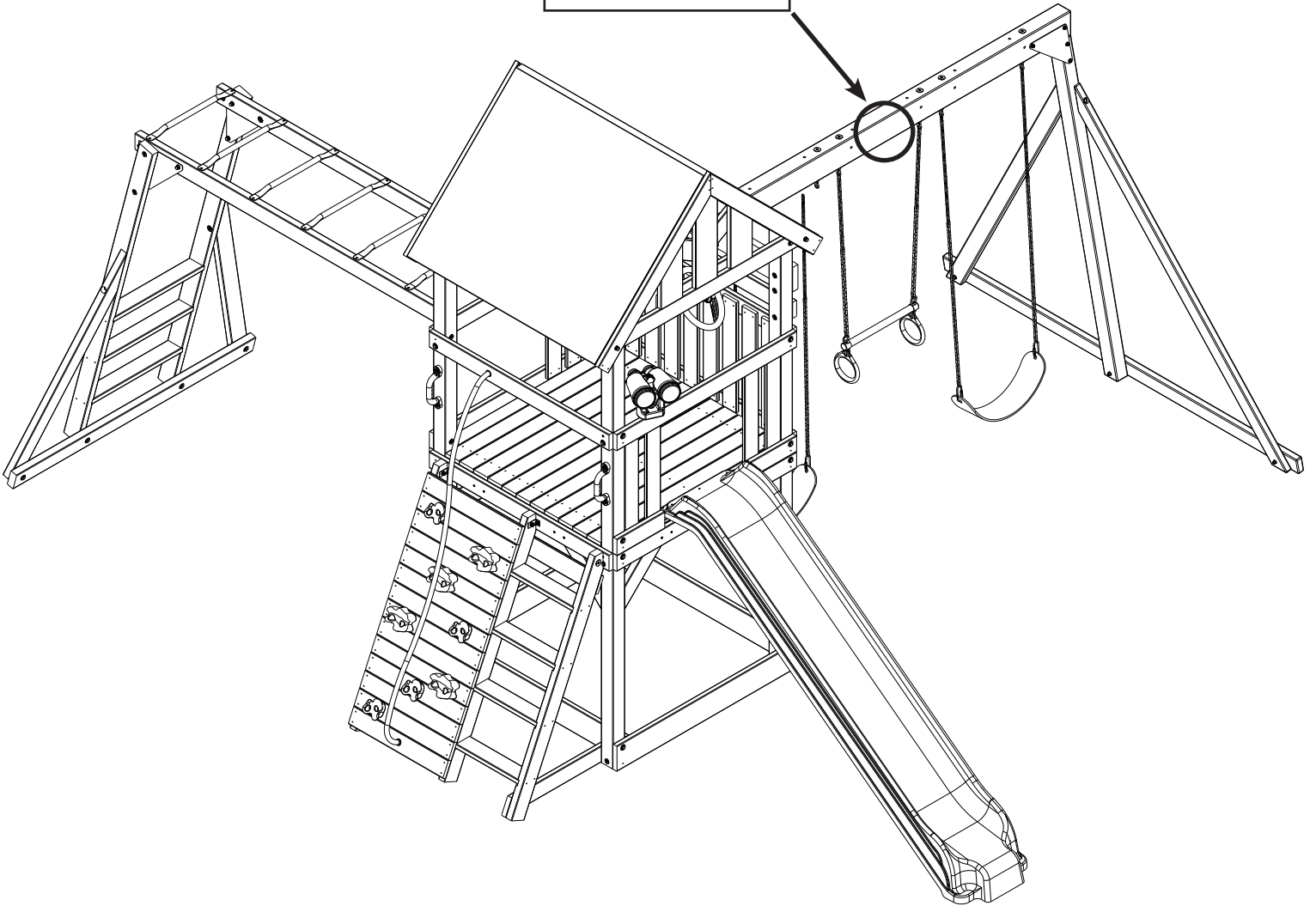
1. Assemble Ring-Trap per accessory plan and mount to swing hangers as shown.

STEP 35



1. Place swing set in final location and mount Anchor(s) at locations circled above.
 2. Twist the Anchor into the ground until only the loop is exposed.
 3. Place Anchor strap thru loop, fold the ends together and attach to the unit as shown.
- Note: Keep as little play as possible using any of the holes in the strap that work best.**

STEP 36



#8 x 3/4" Pan Screw (x2)

1. Attach ID Tag as shown.



888-363-4967

Got Questions? We've got answers!

Call our Customer Support Representatives

Available Monday - Friday, 9am - 4pm (EST)

Technical Support from experienced Customer Service
Representatives who have actually built a swing set themselves.

Visit our web site at: www.Creativecedardesigns.com