

ASSEMBLY INSTRUCTIONS

DESCRIPTION : CONSOLE TABLE

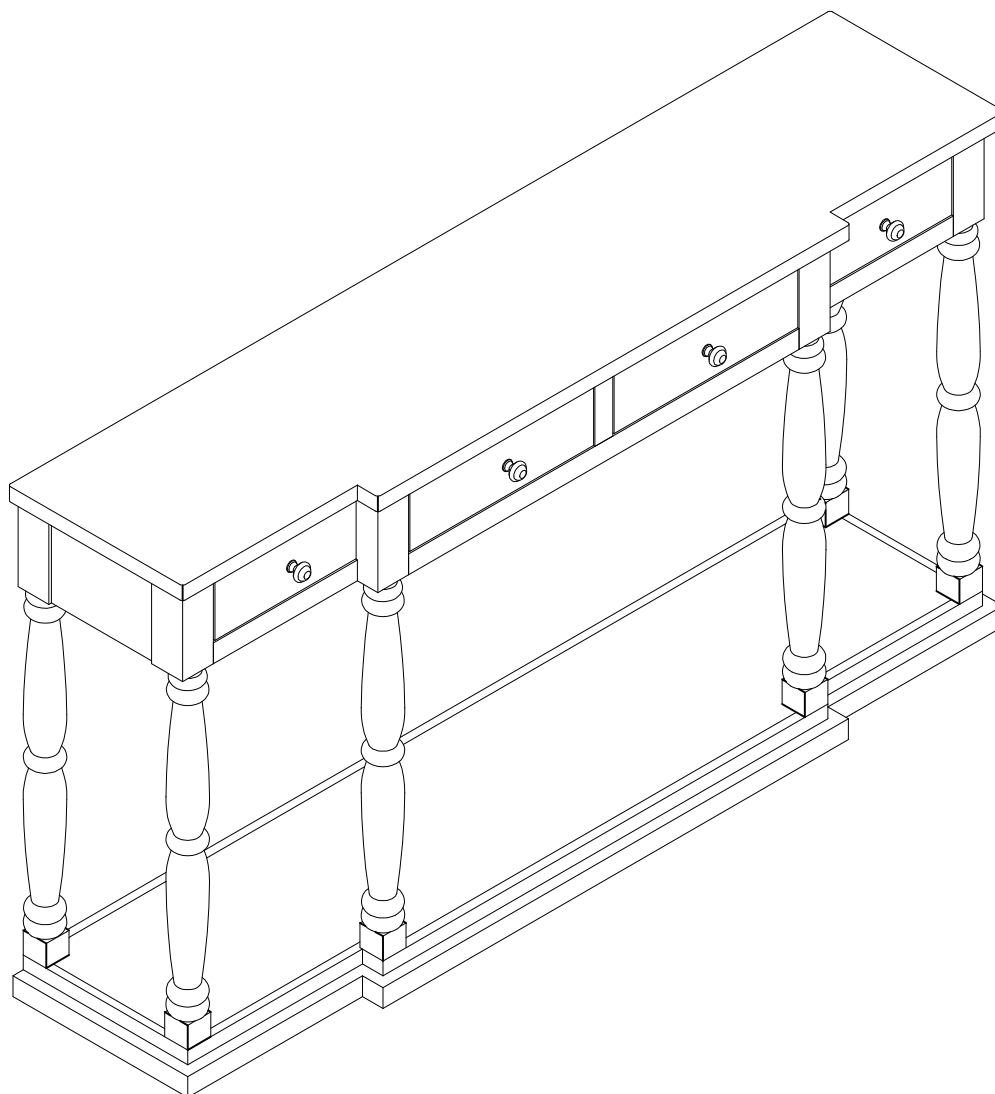
4 DRAWERS

IMPORTANT NOTE

****PLACE ALL PARTS ON A CLEAN AND SMOOTH SURFACE SUCH AS A RUG OR CARPET TO AVOID THE PARTS FROM BEING SCRATCHED**

****BEFORE YOU BEGIN, KINDLY FOLLOW THE ASSEMBLY INSTRUCTIONS STEP BY STEP**

****DO NOT TIGHTEN ALL SCREWS AND BOLTS UNTIL THE CABINET IS FULLY SET-UP**



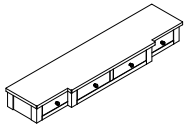


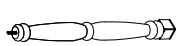

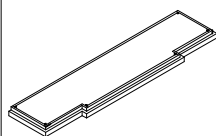
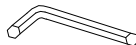
PLEASE DO NOT RETURN PRODUCT TO THE STORE

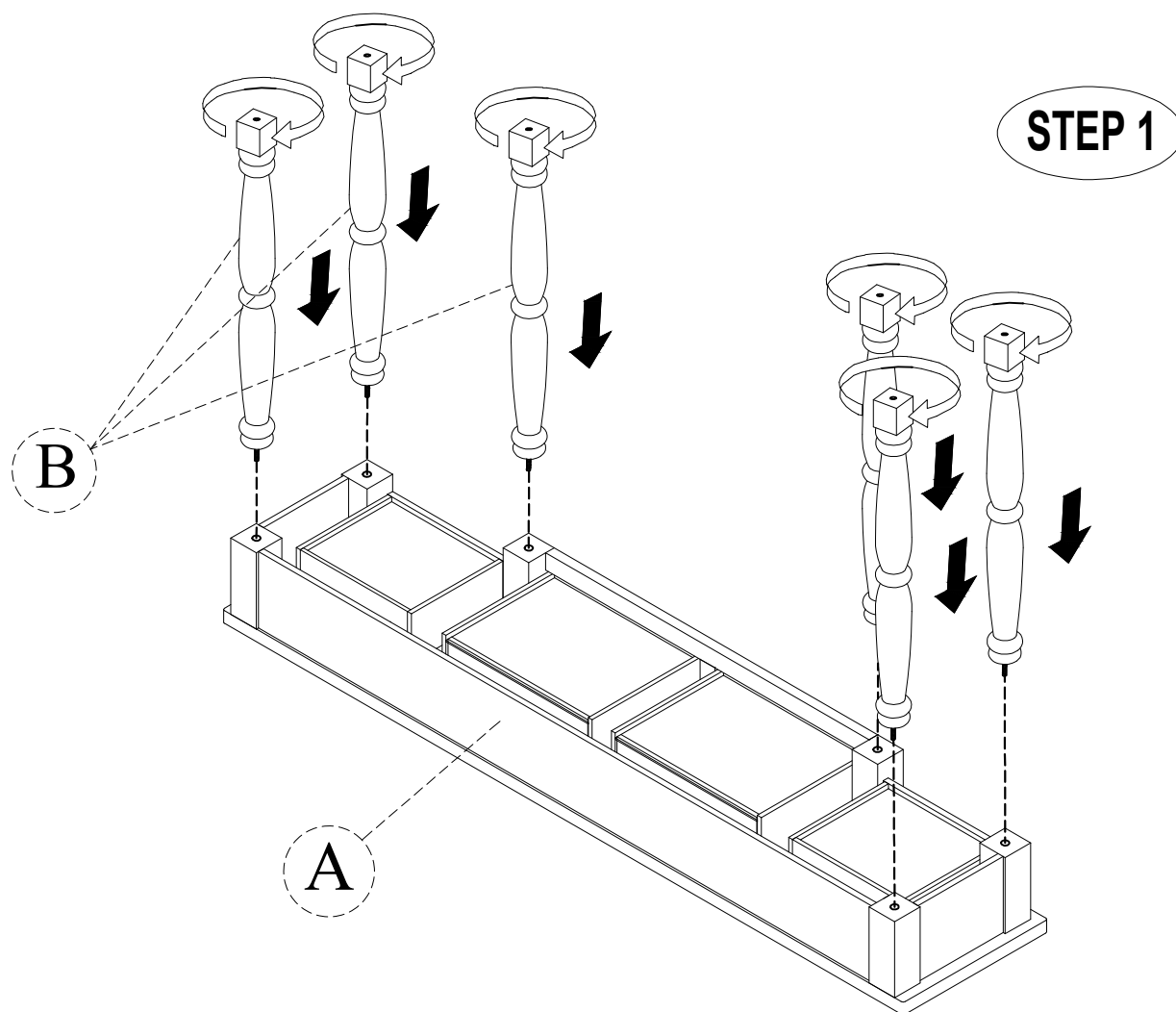
ASSEMBLY INSTRUCTIONS

DESCRIPTION : CONSOLE TABLE

4 DRAWERS

CARTONS ONLY ONE / HARDWARE LIST

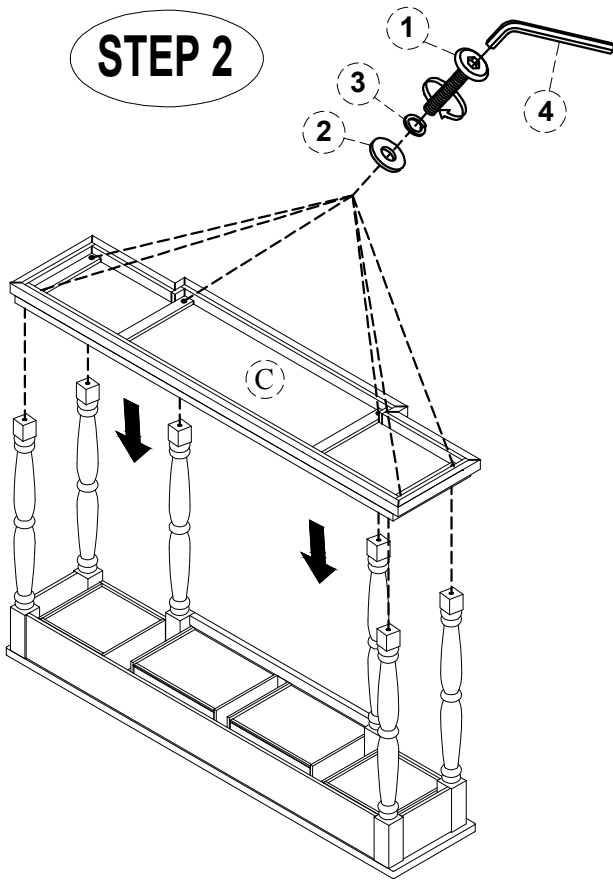
PART LISTS				HARDWARE LIST			
NO	DESCRIPTION	SKETCH	Q'TY	NO	DESCRIPTION	SKETCH	Q'TY
A	TOP TABLE		1 PC	1	BOLT Ø1/4*50mm		6 PCS
				2	WASHER Ø1/4*19mm		6 PCS
B	LEGS		6 PCS	3	SPRING WASHER Ø1/4"*11mm		6 PCS
C	TABLE BASE		1 PC	4	ALLEN KEY M4*60mm		1 PC



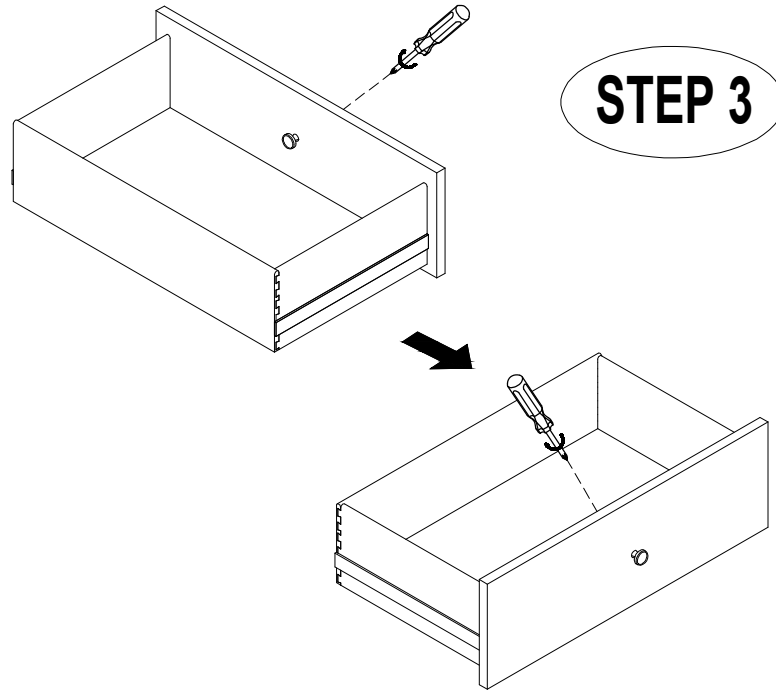
ASSEMBLY INSTRUCTIONS

DESCRIPTION : CONSOLE TABLE 4 DRAWERS

STEP 2



STEP 3



COMPLETE

