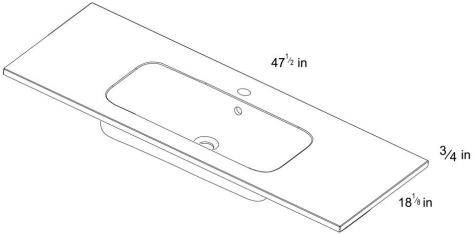


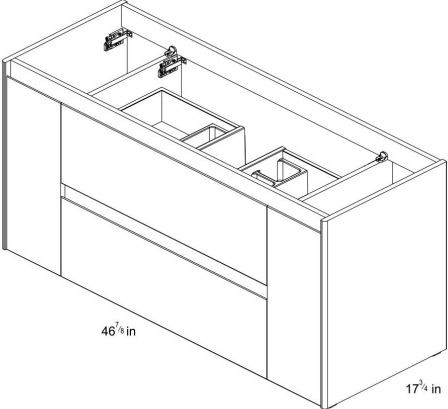






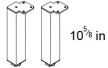



Technical features

Technical drawing	Name	Material	Colour	Colour
				Gloss White
	1 Door / 2 Drawers / 1 Door	  	  	Nordic Oak Samara Ash Gloss White
	LEGS			Chrome

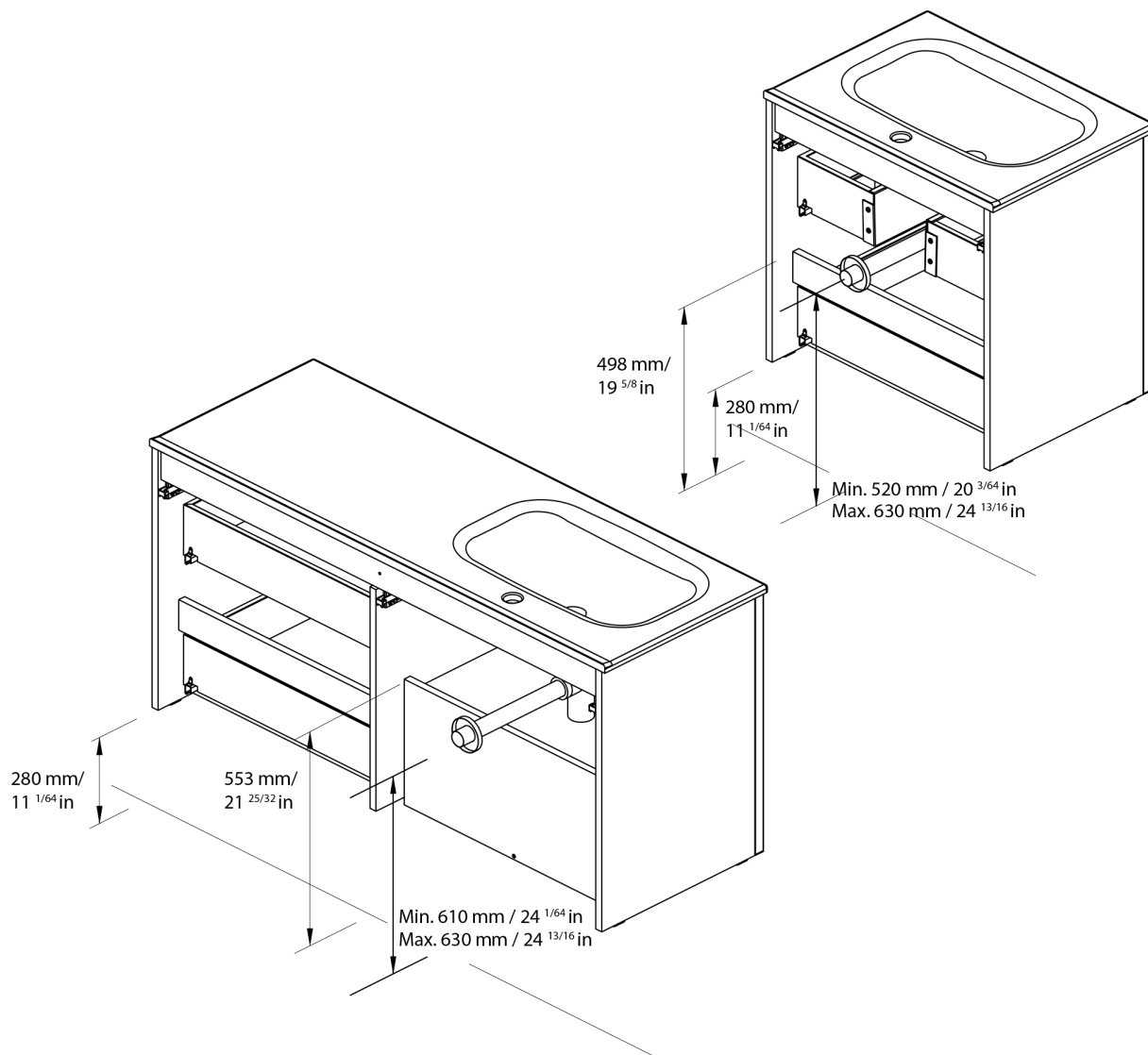
Technical information

STRUCTURE	MDF board in 58 in. continous wrapping in 2D/ Cyclum Process.
FRONT	MDF board in 58 in. continous wrapping in 2D/ Cyclum Process.
HANDLE	Integrated in the front of the furniture.
DRAWER	Drawers made in mokka textile poly laminate coated board with hidden parcial extraction runners with soft close system. Includes organizer in upper drawer. Lower drawer useful space (widexhighxdepth): 20 ^{1/16} x 4 ^{5/16} x 12 ^{2/4} in.
WALL HANGING BRACKET	Hidden hanging bracket of directly assembled with great resistance and depth regulations.
HINGE	105° opening, 1 ^{3/8} in. cap, easy assembly and soft close system.
LEGS	Metallic in bright chrome finish. (optional)
PIPE DEPTH	Pipe depth 2 ^{1/34} in.

Dimensions Metric

1 inch = 2.54 cm

1 inch = 25.4 mm



ES

EN

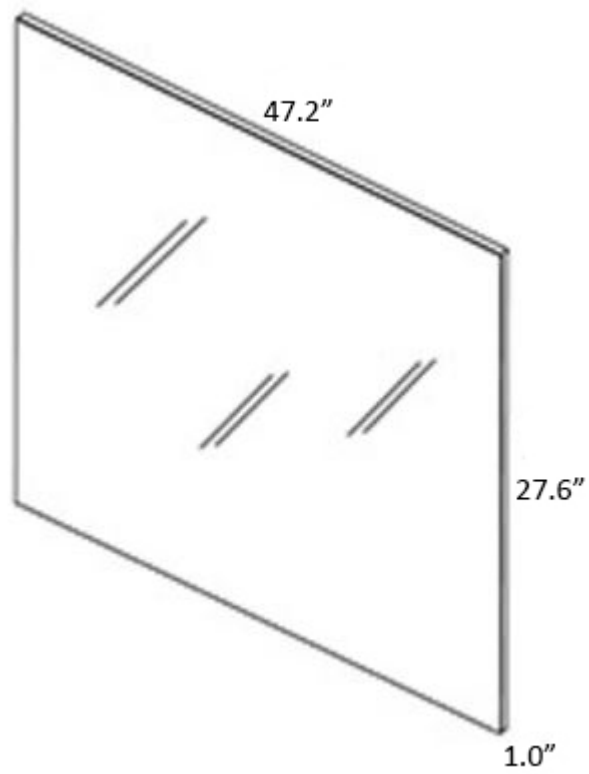
Las cotas indicadas en los dibujos son en función de la altura de la pata del conjunto, en caso de que el mueble vaya suspendido y esta altura no se respete, dichas cotas también variarán.

Dimensions indicated in the drawing are based on the level of the whole leg, in case of wall hanging the furniture dimensions also may vary.

Dimensions Metric

1 inch = 2.54 cm

1 inch = 25.4 mm



Dimensions Metric

1 inch = 2.54 cm

1 inch = 25.4 mm

We recommend the following items that work with your sink.

TRAPS



Our best seller

DRAINS



Push waste drain (click clack)
with overflow

MOUNTING HARDWARE

Wall-mount installation



Bolts

Vessel/ countertop installation



Silicone (*optional*)

Dimensions Metric

1 inch = 2.54 cm

1 inch = 25.4 mm