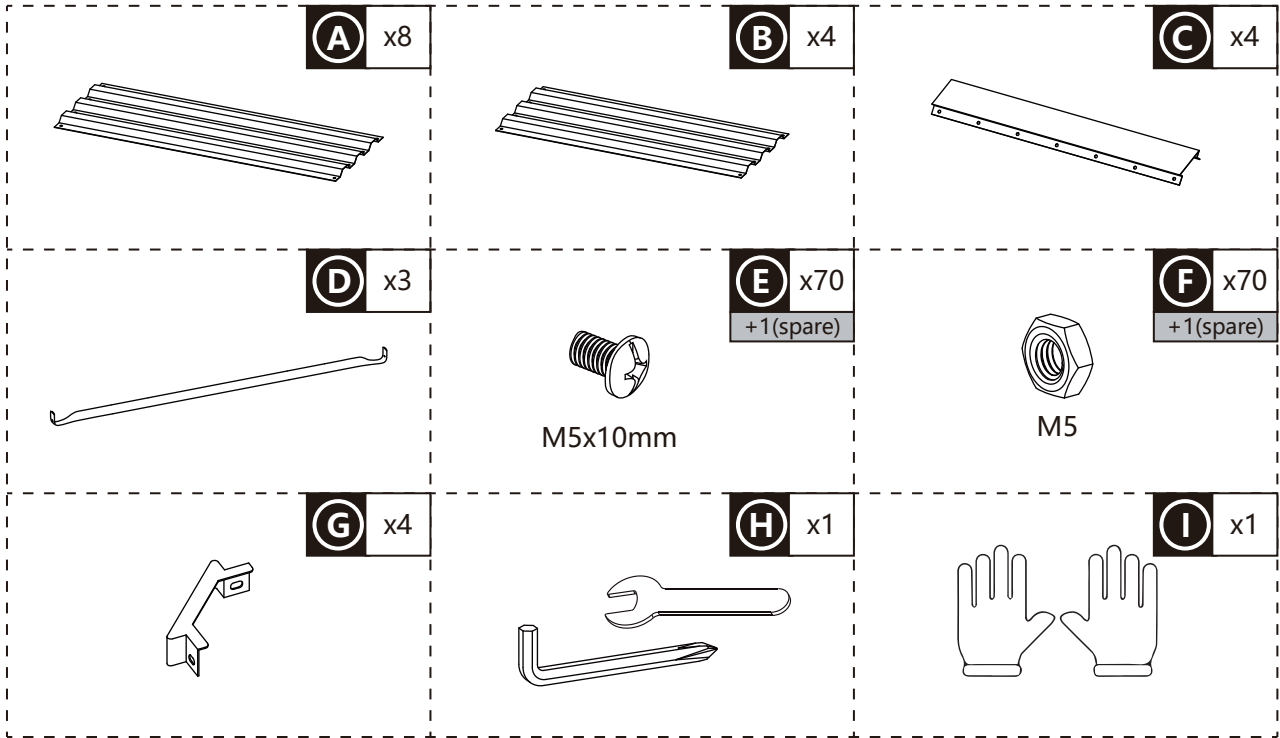


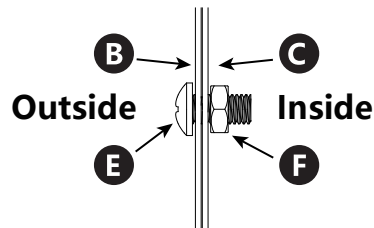
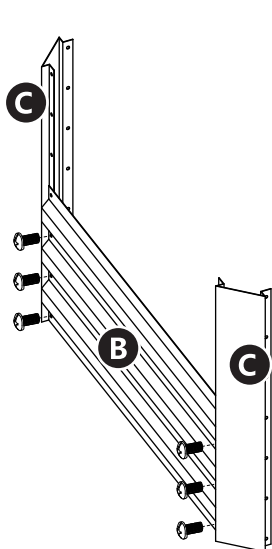
INSTRUCTION MANUAL

Metal Raised Garden Bed

Product Configuration



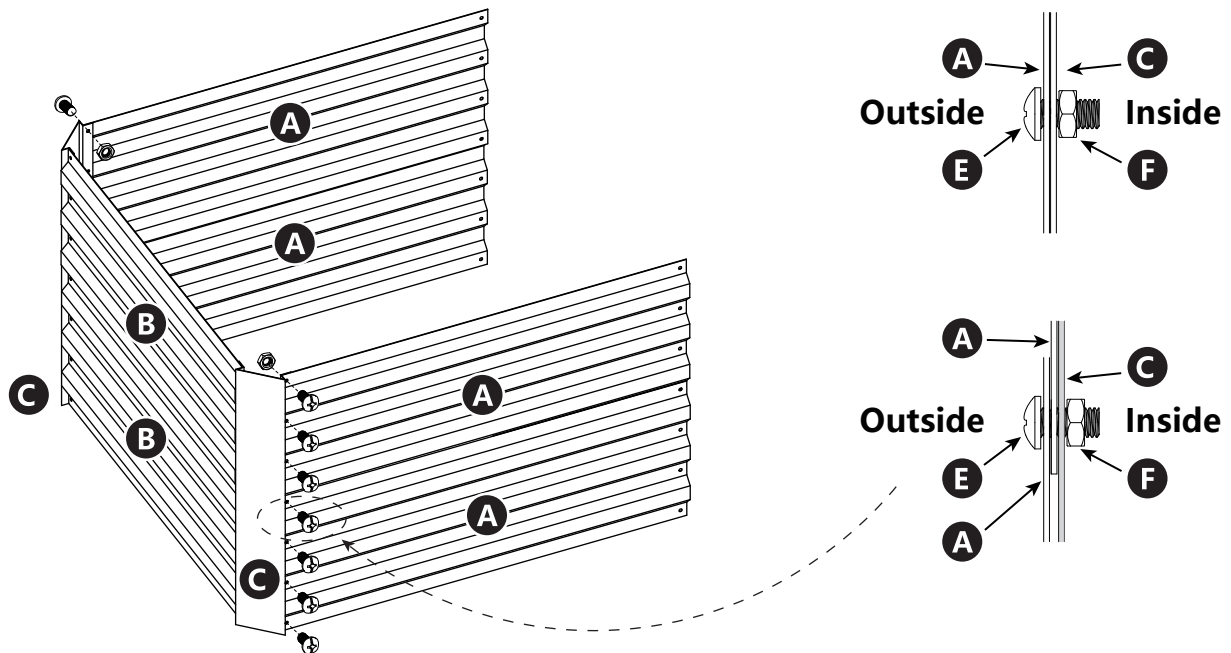
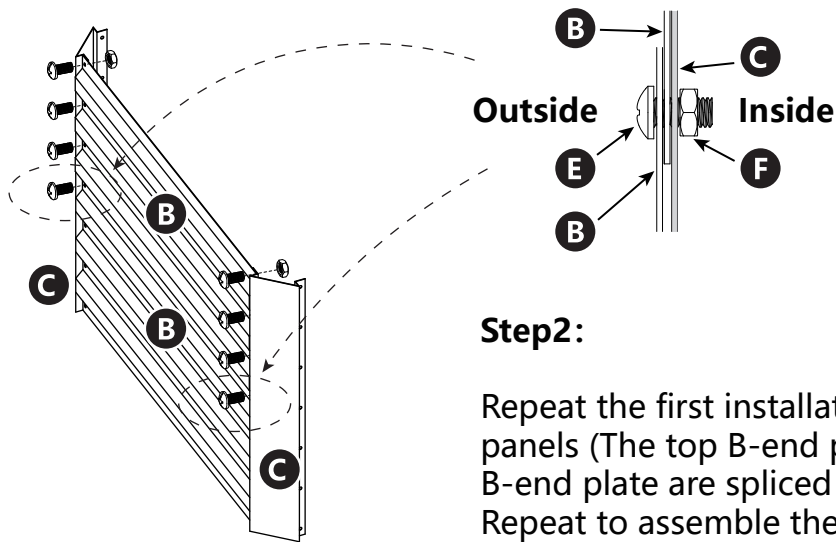
Assembly



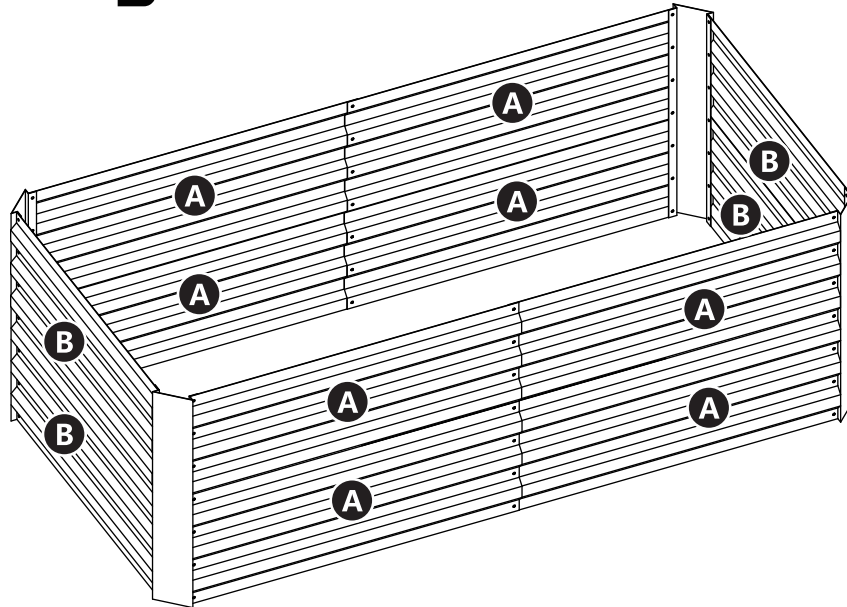
Step1:

Attach two part-C brackets to one part-B end panel with part-E screws, and secure with part-F nuts. Repeat to assemble the other end.

Assembly

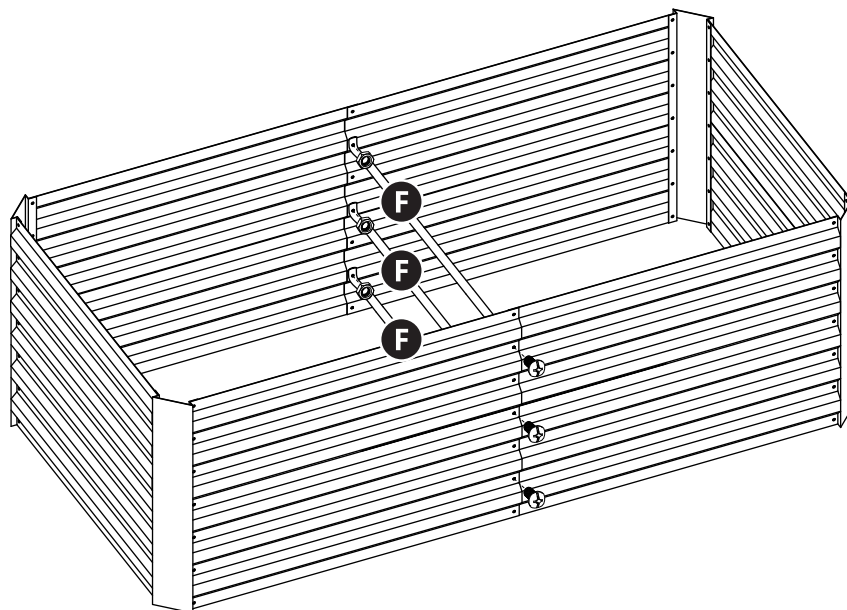


Assembly



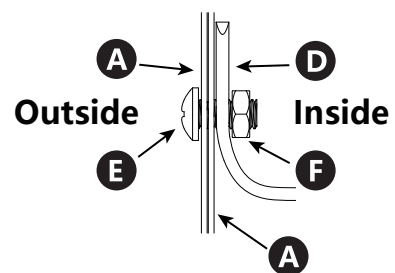
Step4:

Repeat the above 3 steps to assemble the other half of the galvanized Raised Garden Bed.

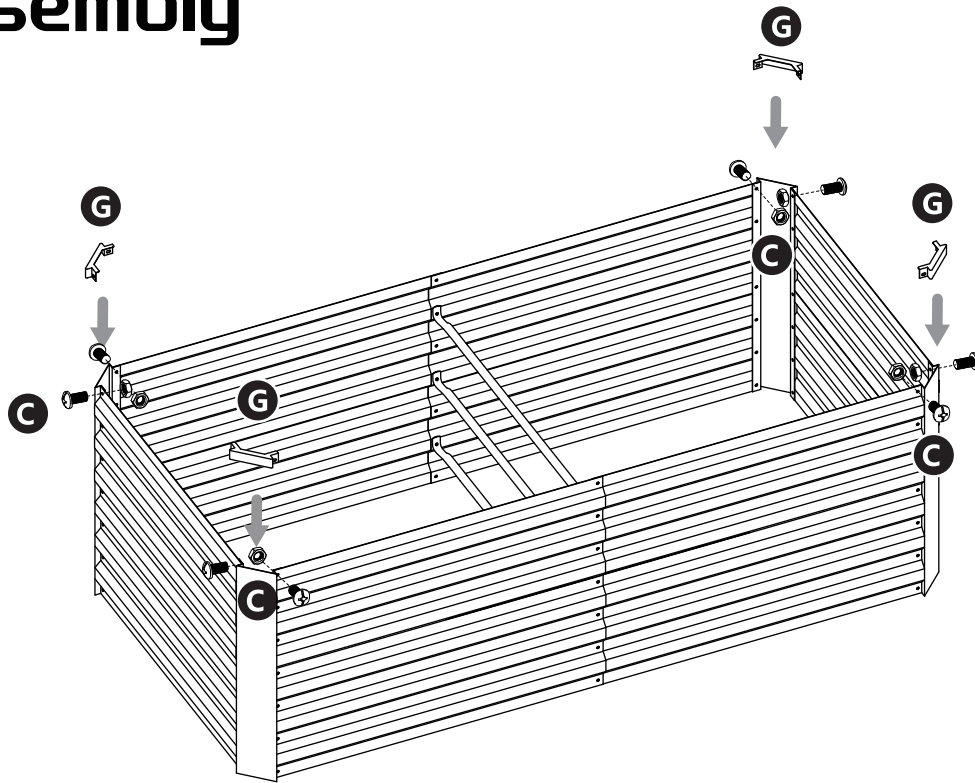


Step5:

Attach two part-A brackets to one part-D end panel with part-E screws, and secure with part-F nuts. Repeat to assemble the other end.

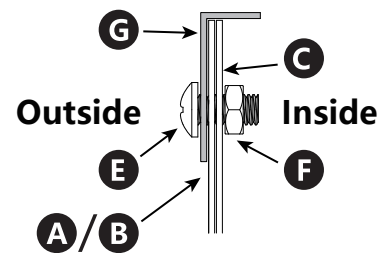


Assembly



Step6:

Attach two part-A brackets to one part-D end panel with part-E screws, and secure with part-F nuts. Repeat to assemble the other end.



Tips

- *If you have any questions about installing the product, you can email us and we will provide you with a video.
- *If the panels are bent or distorted during transportation, they can be restored to their original shape by tapping with a rubber mallet.

MADE IN CHINA