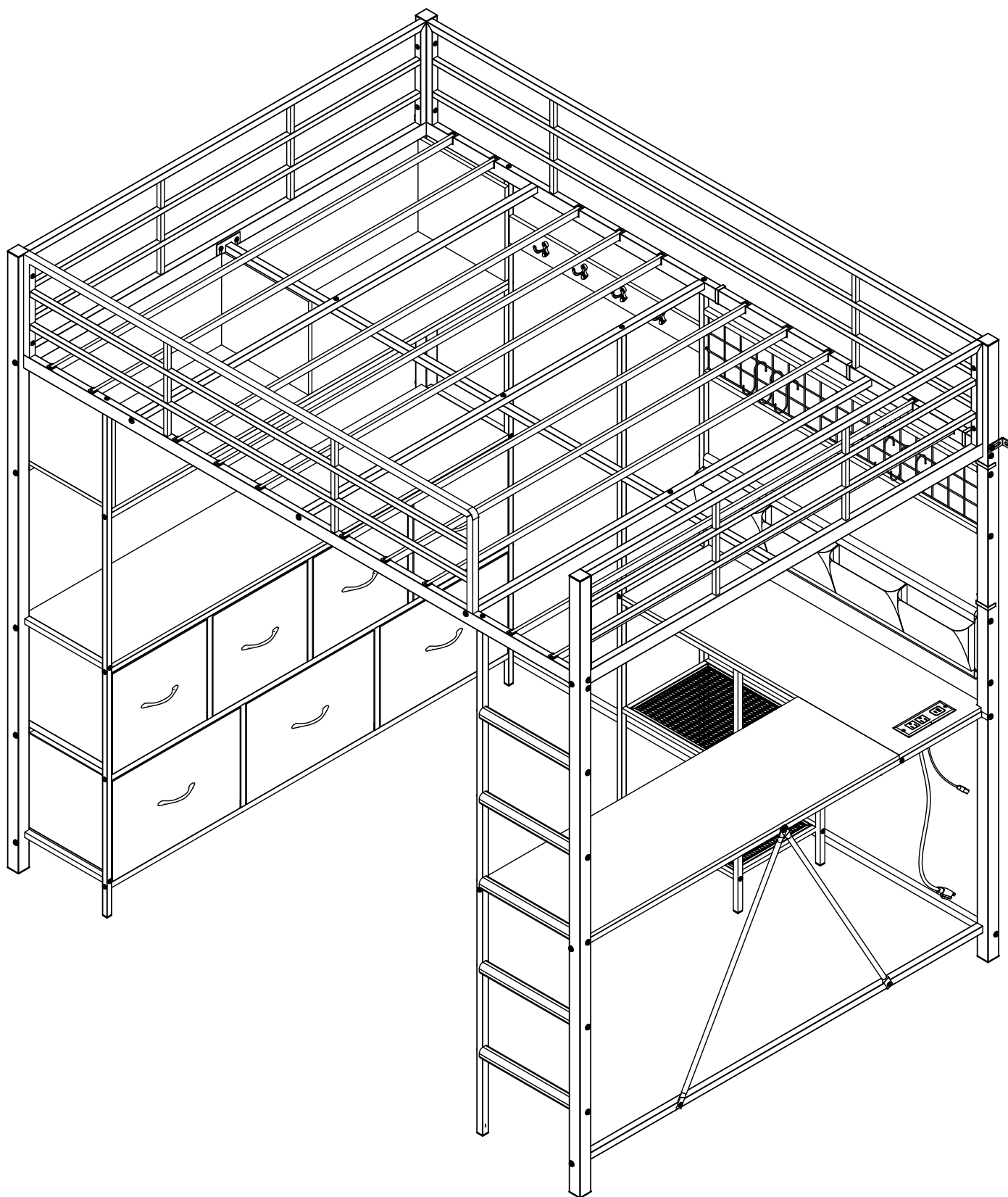
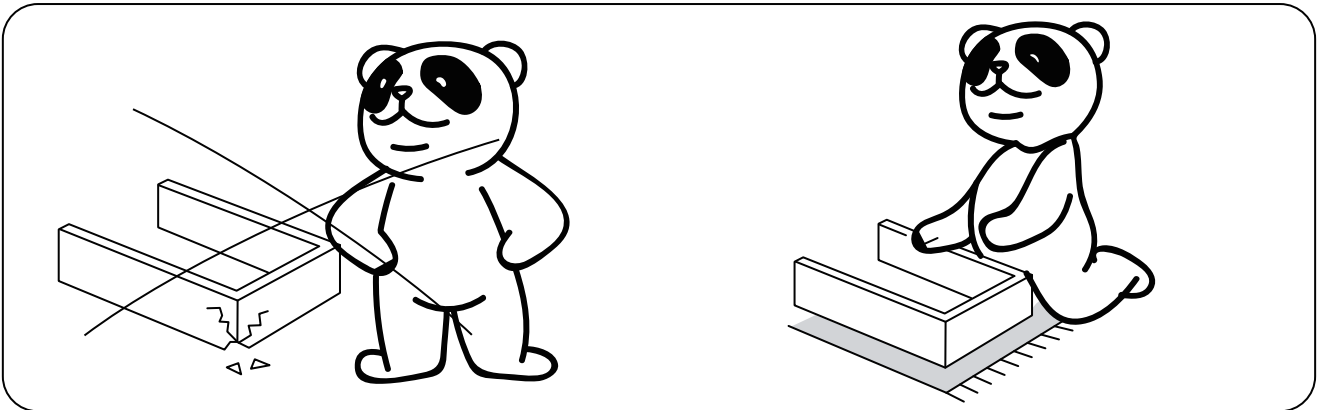
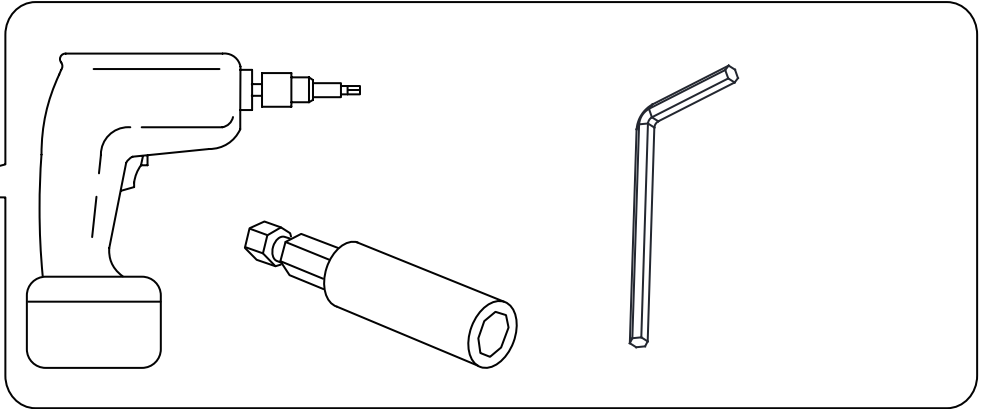


# Loft Bed

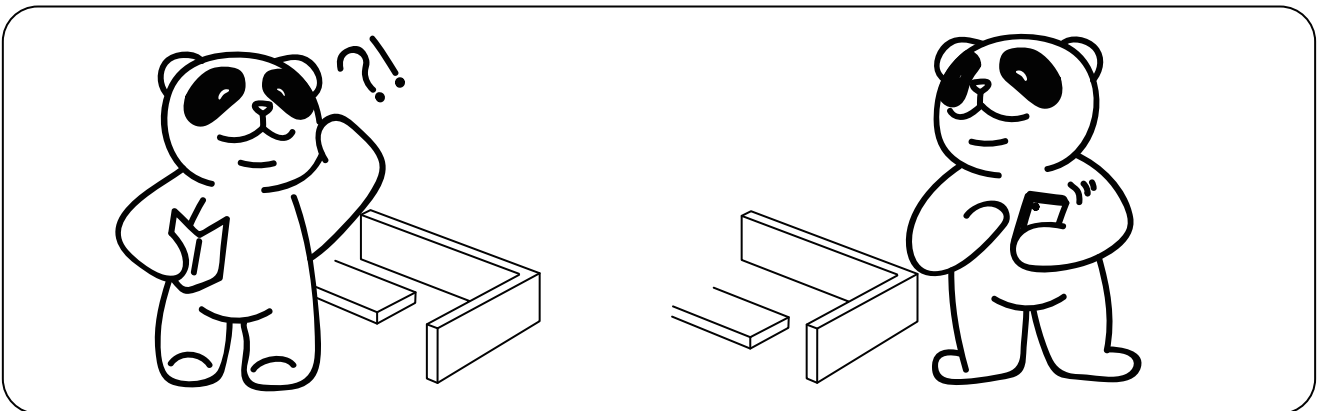


AJ-DJ505156

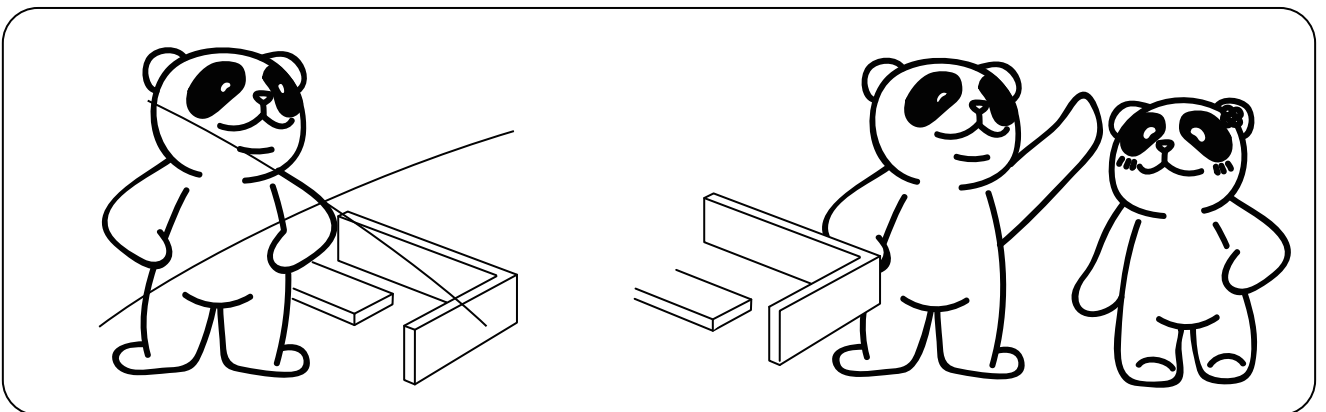
Version 1.0



Violent installation is prohibited



Please call if you need help



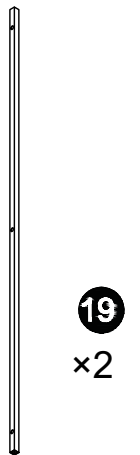
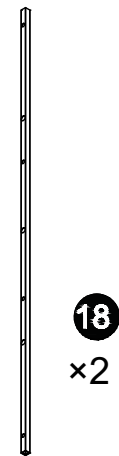
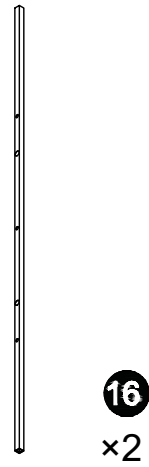
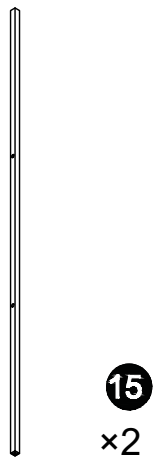
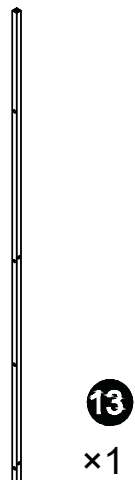
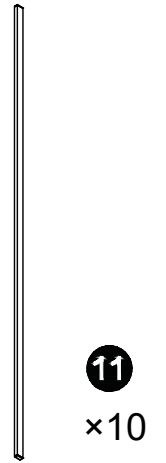
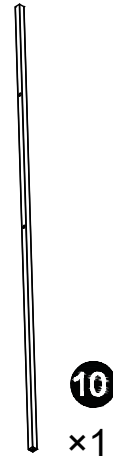
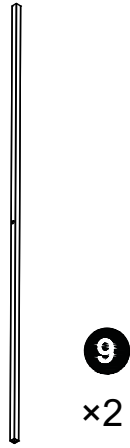
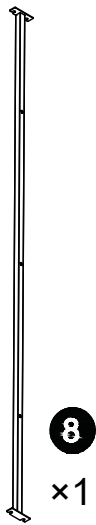
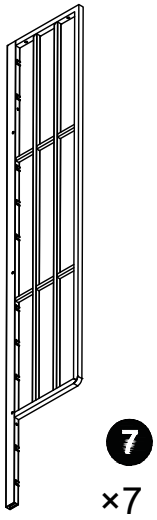
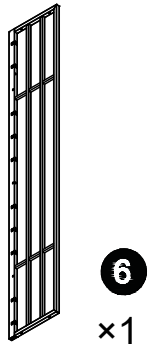
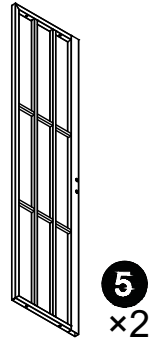
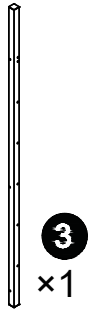
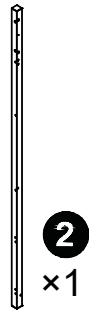
Multi-person cooperation is recommended

# Install parts

## PARTS LIST

BOX : A

PACKING DETAILS: TOTAL 2 BOXES



# Install parts

## PARTS LIST

BOX : A

PACKING DETAILS: TOTAL 2 BOXES



20  
x1



21  
x1



25  
x1



26  
x1



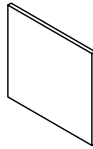
31  
x1



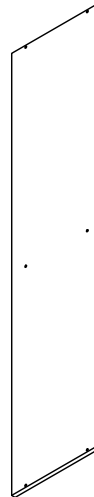
33  
x1



47  
x1



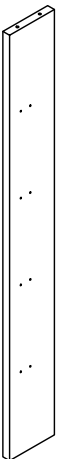
48  
x3



49  
x1



50  
x1



51  
x1



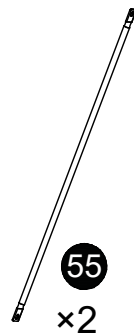
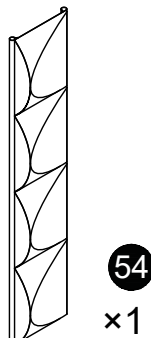
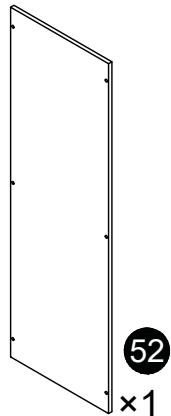
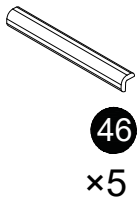
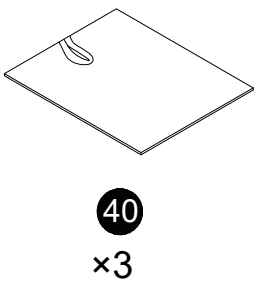
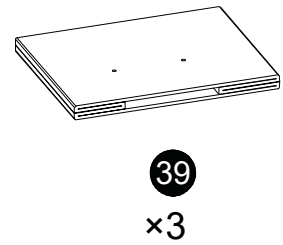
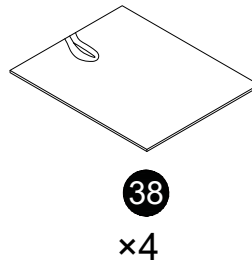
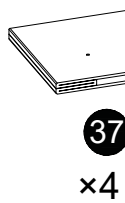
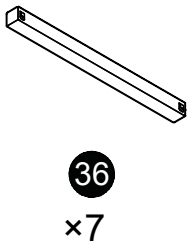
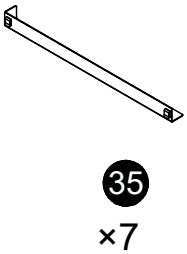
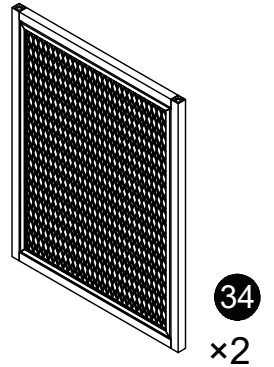
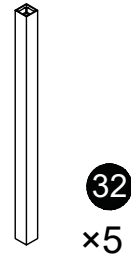
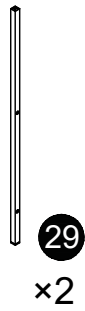
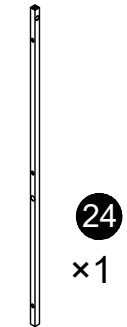
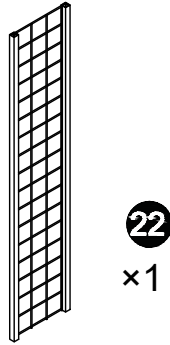
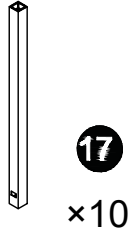
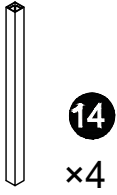
53  
x1

# Install parts

## PARTS LIST

BOX : B

PACKING DETAILS: TOTAL 2 BOXES



# HARDWARE LIST

BOX : B

PACKING DETAILS: TOTAL 2 BOXES



**A**

M3\*12  
x10+1



**B**

M5\*35  
x10+1



**C**

M5\*25  
x10+1



**D**

M6\*10  
x8+1



**E**

M6\*15  
x13+1



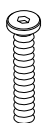
**F**

M6\*35  
x83+8



**G**

3#  
x1



**H**

M6\*60  
x37+3



**I**

M6  
x31+3



**J**

M6  
x2



**K**

4#  
x1



**L**

4#  
x1



**M**

x1



**N**

M6\*24  
x18+1



**O**

Ø14  
x1



**P**

M4\*12  
x14+1

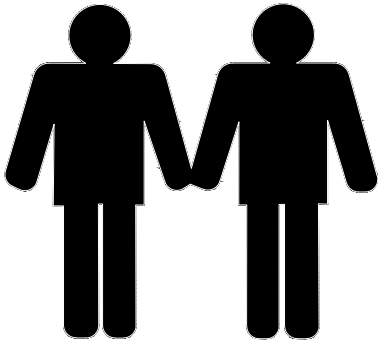


**Q**

x7

**Note:**

- 1, Should be assembled on flat ground to keep balance.
2. Before completing the installation, do not tighten the screws.



It needs at least two people to install

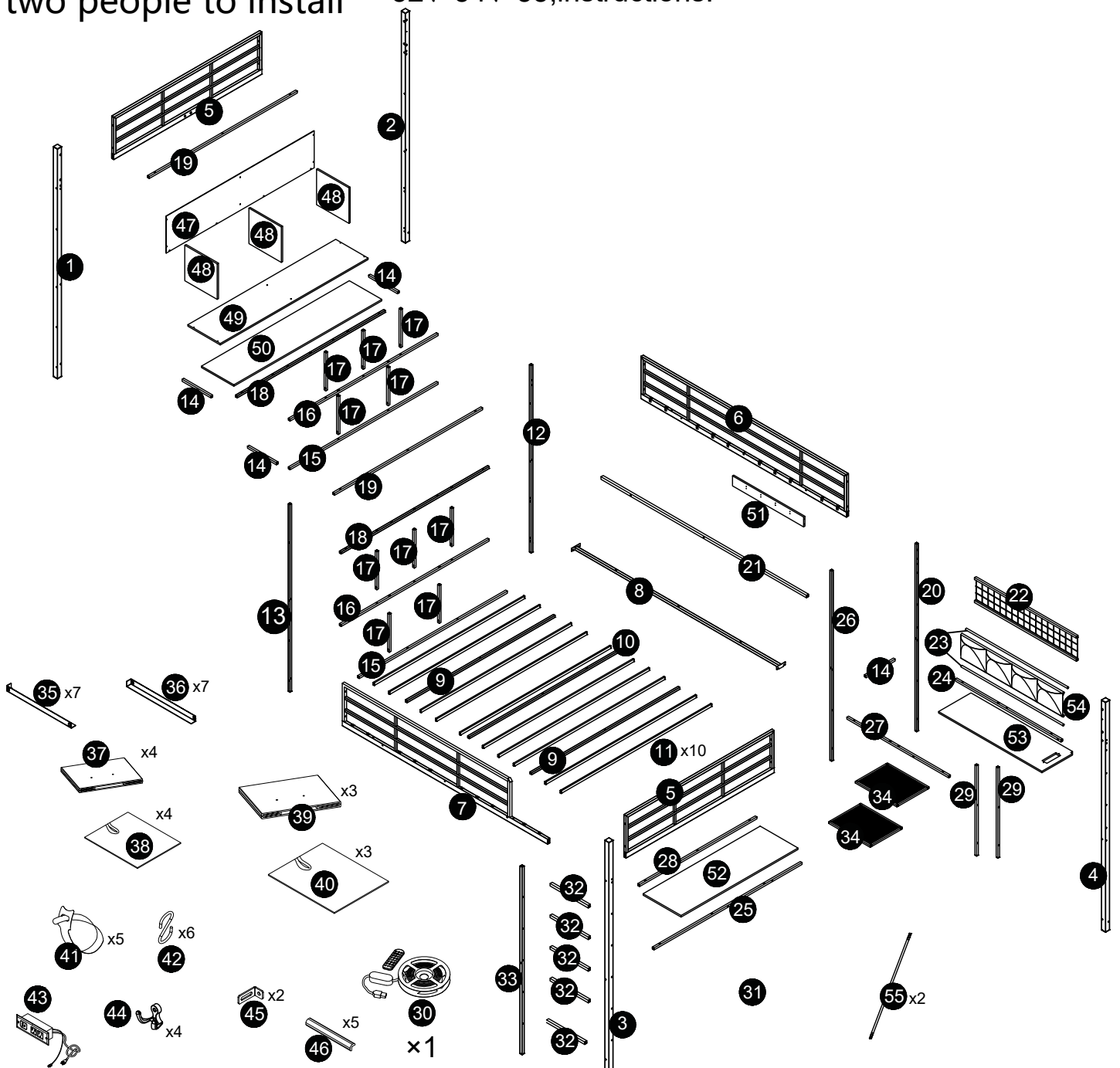


Before starting the assembly, you must read the whole manual and follow the instructions.

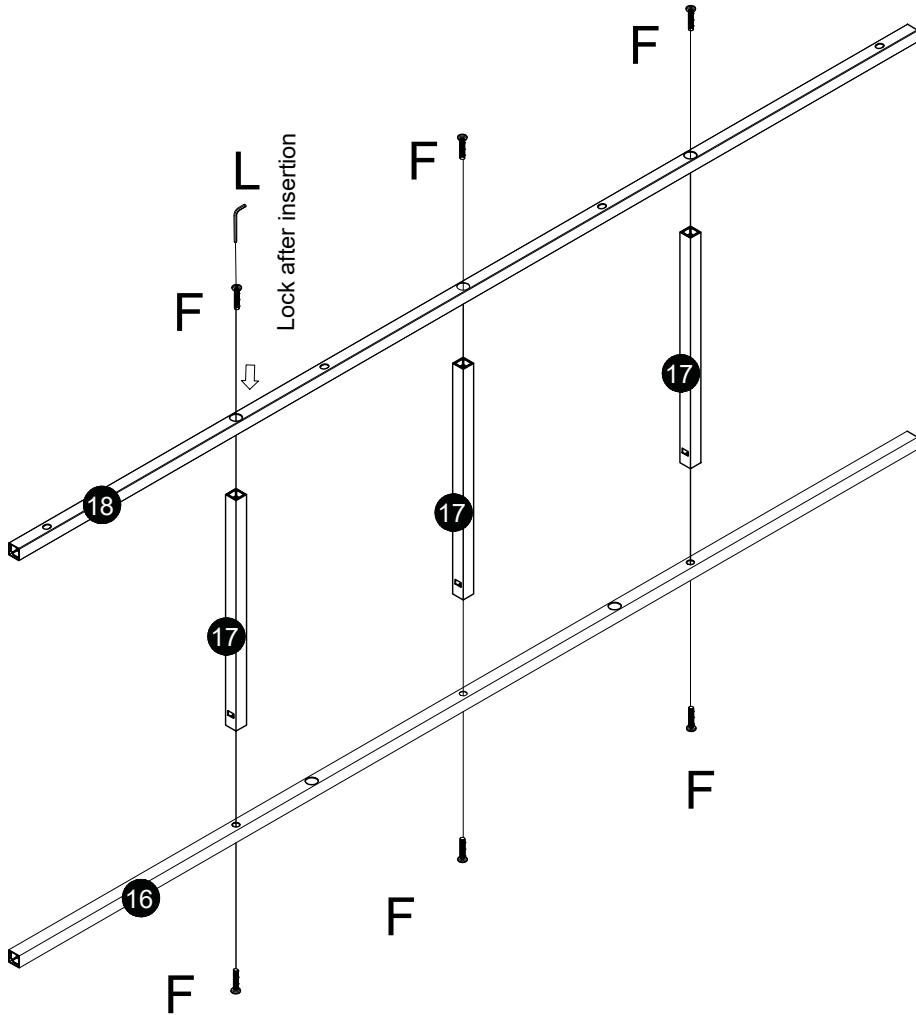
This set comes in 2 boxes. If you do not receive a full set of 2 boxes, please contact our customer service.

box A : 1-13, 15, 16, 18-21, 25, 26, 31, 33, 47-51, 53, screw pack, instructions;

box B : 14, 17, 22, 23, 24, 27-30, 32, 34-46, 52, 54, 55, instructions.

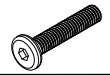


1



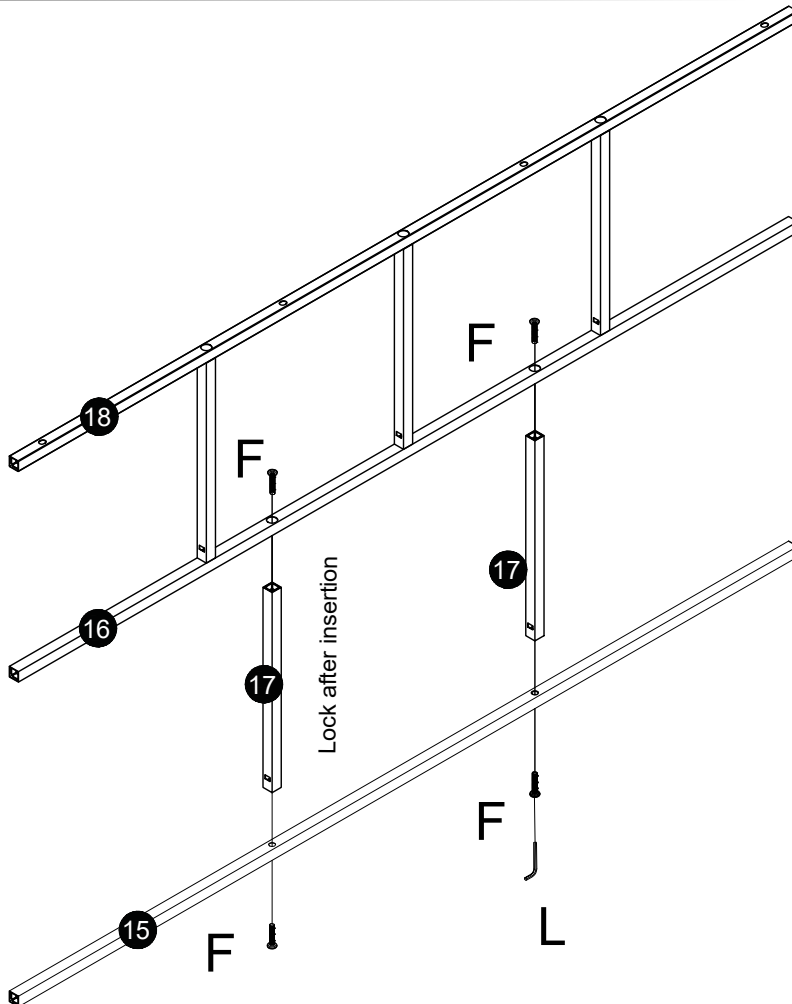
x2

F M6\*35



x12

2



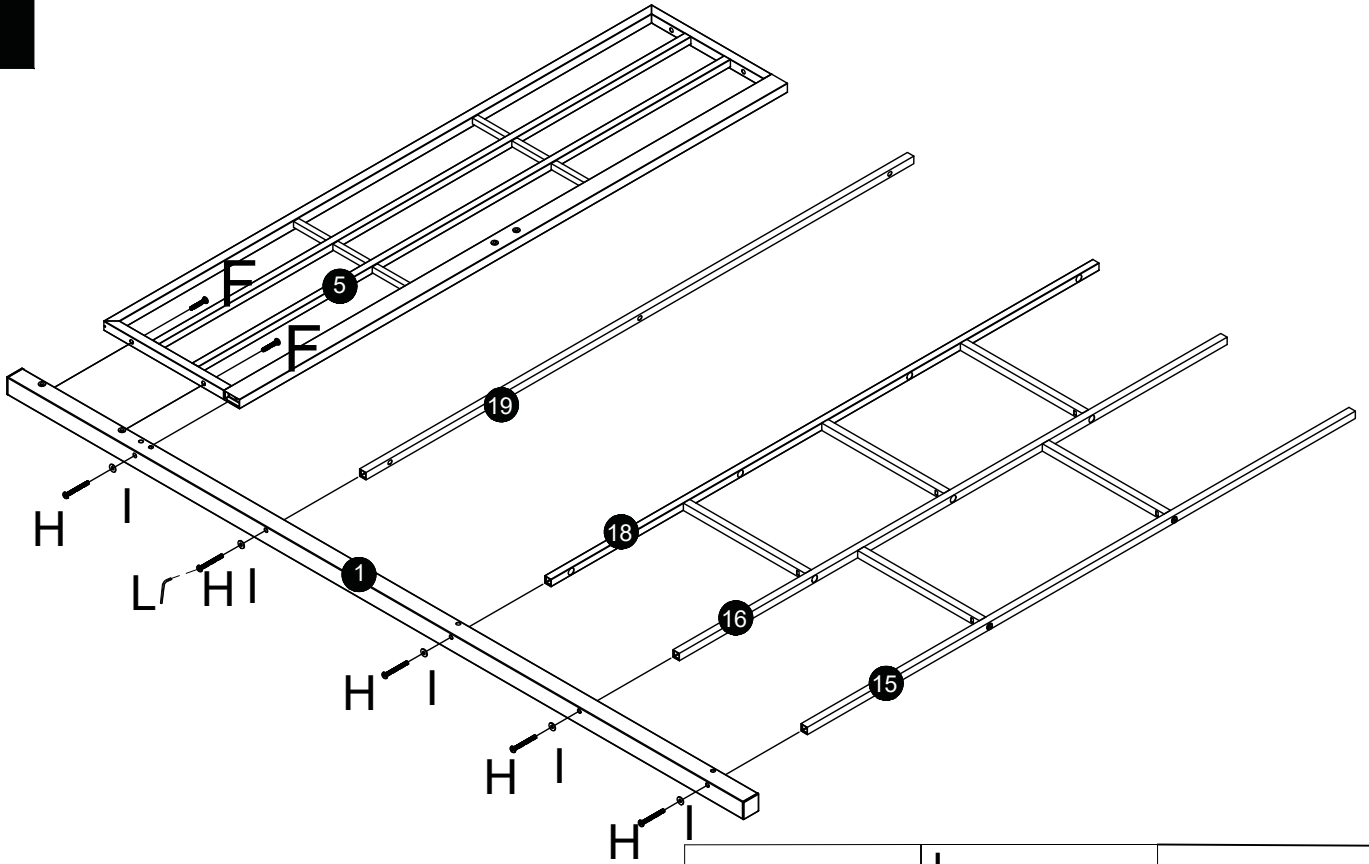
x2




F M6\*35



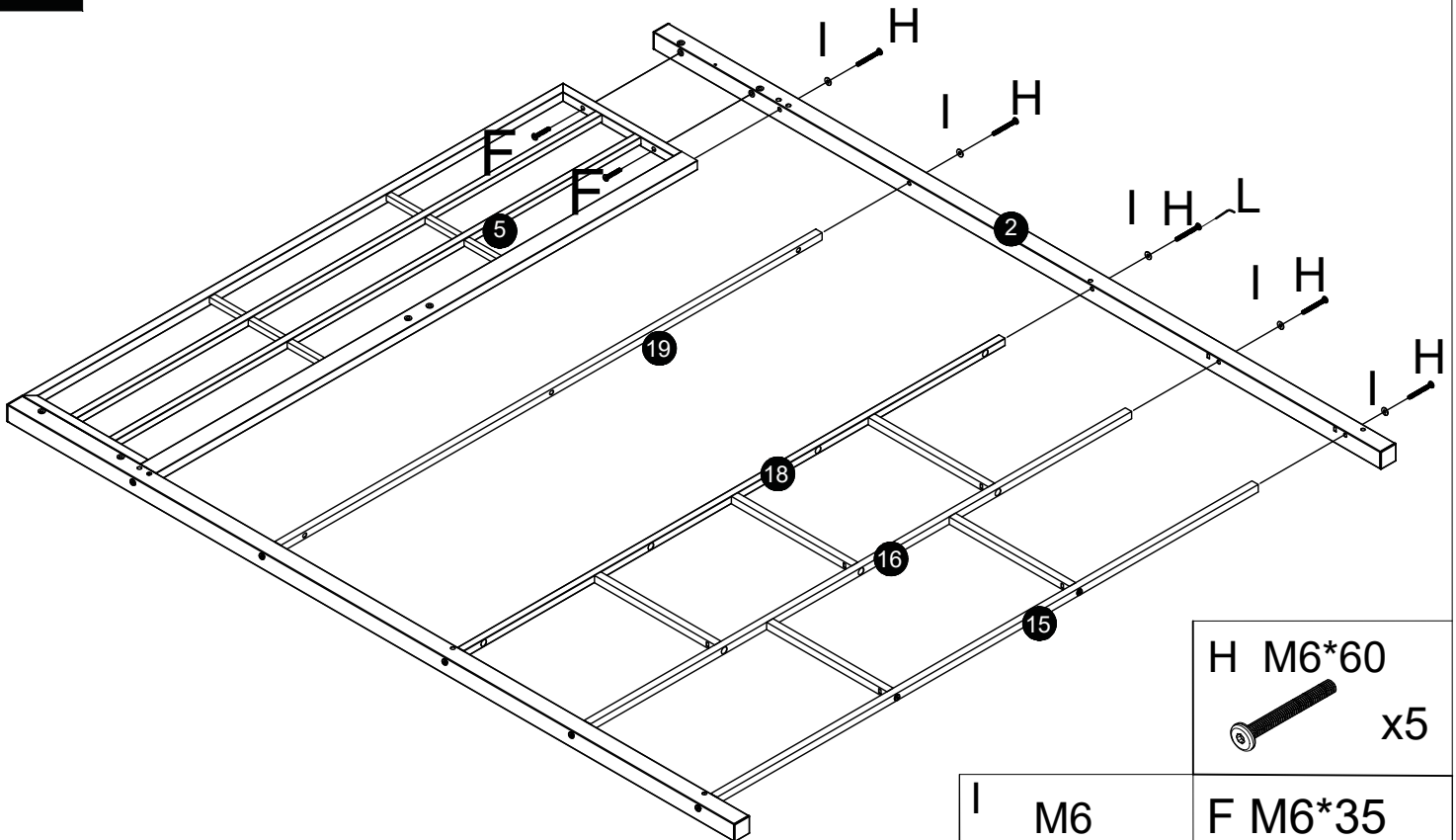
x8




3



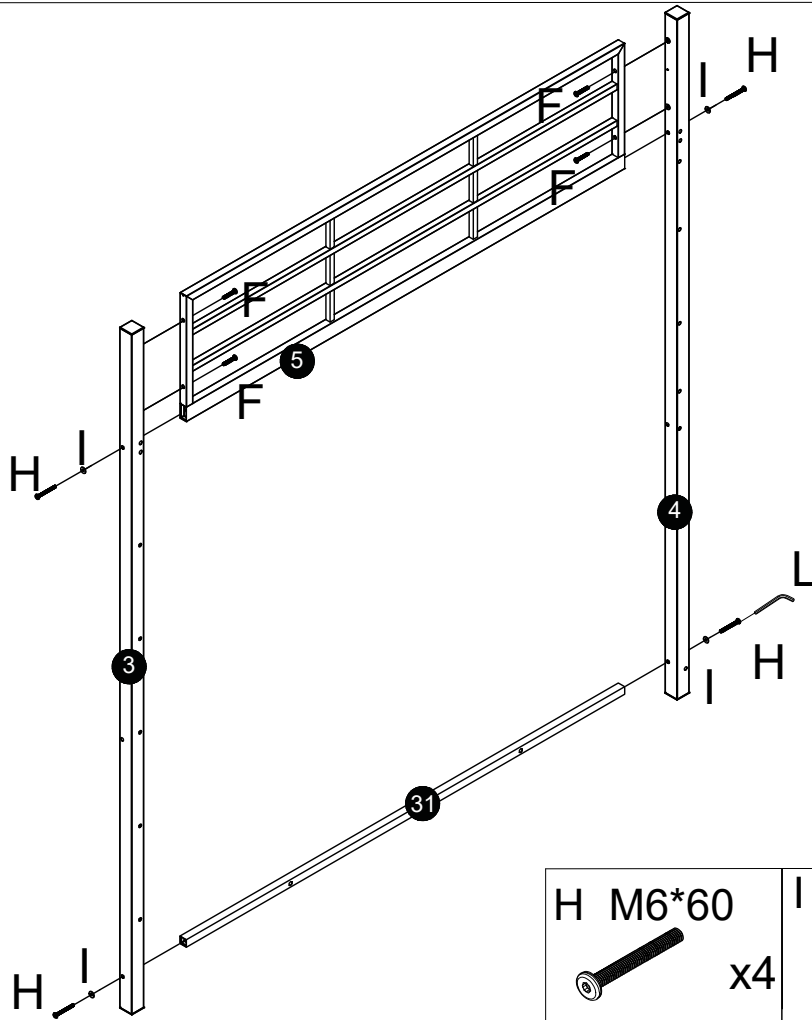
H M6*60  x5	I M6  x5	F M6*35  x2
---	--	---

4



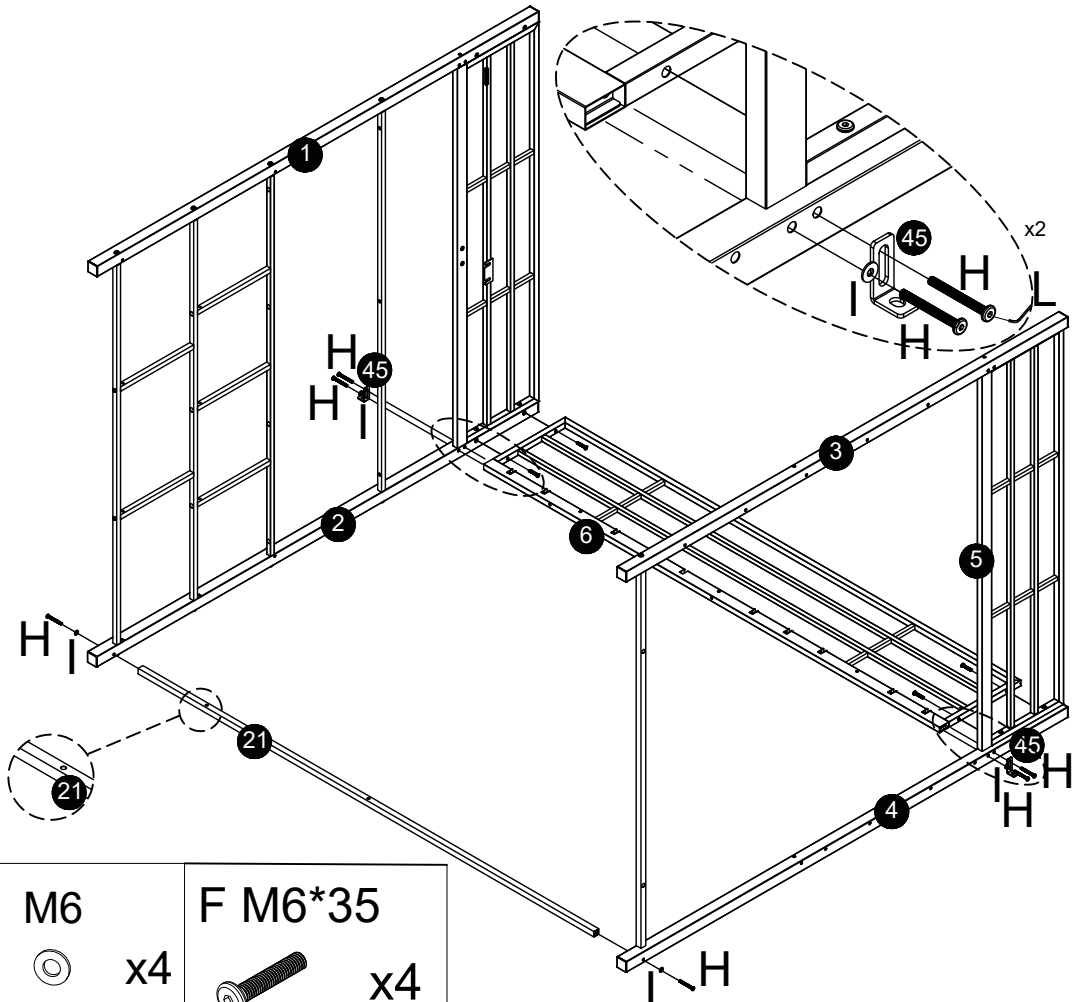
H M6*60  x5	I M6  x5	F M6*35  x2
---	--	---

5



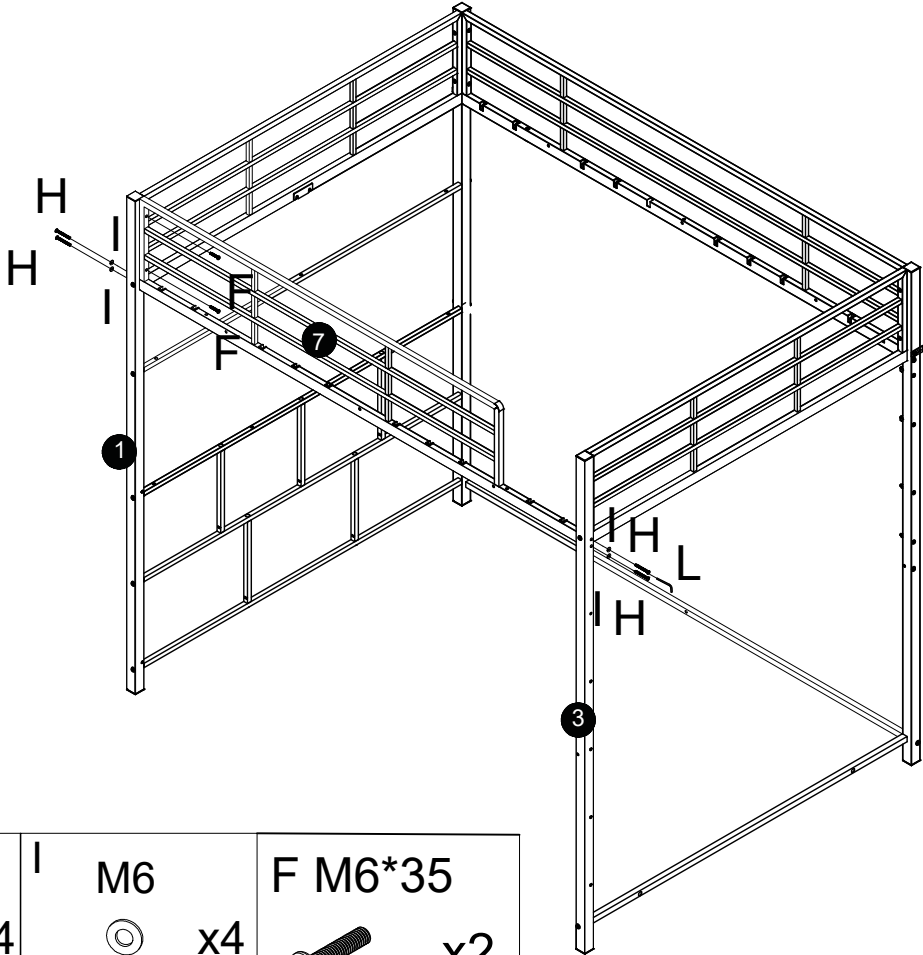
H M6*60 x4	I M6 x4	F M6*35 x4
---------------	------------	---------------

6



H M6*60 x6	I M6 x4	F M6*35 x4
---------------	------------	---------------

7

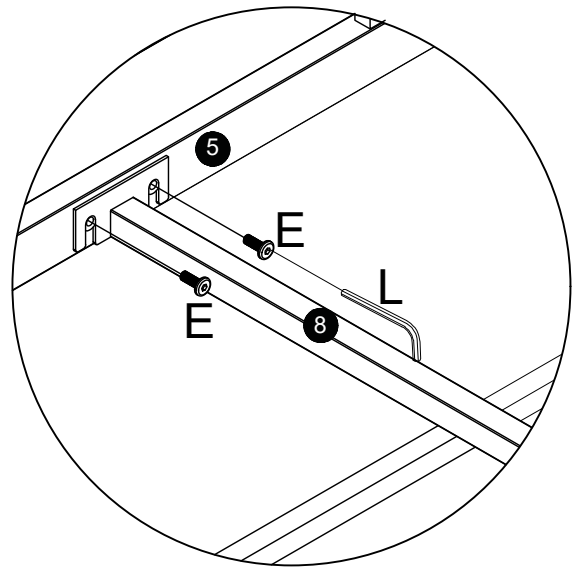
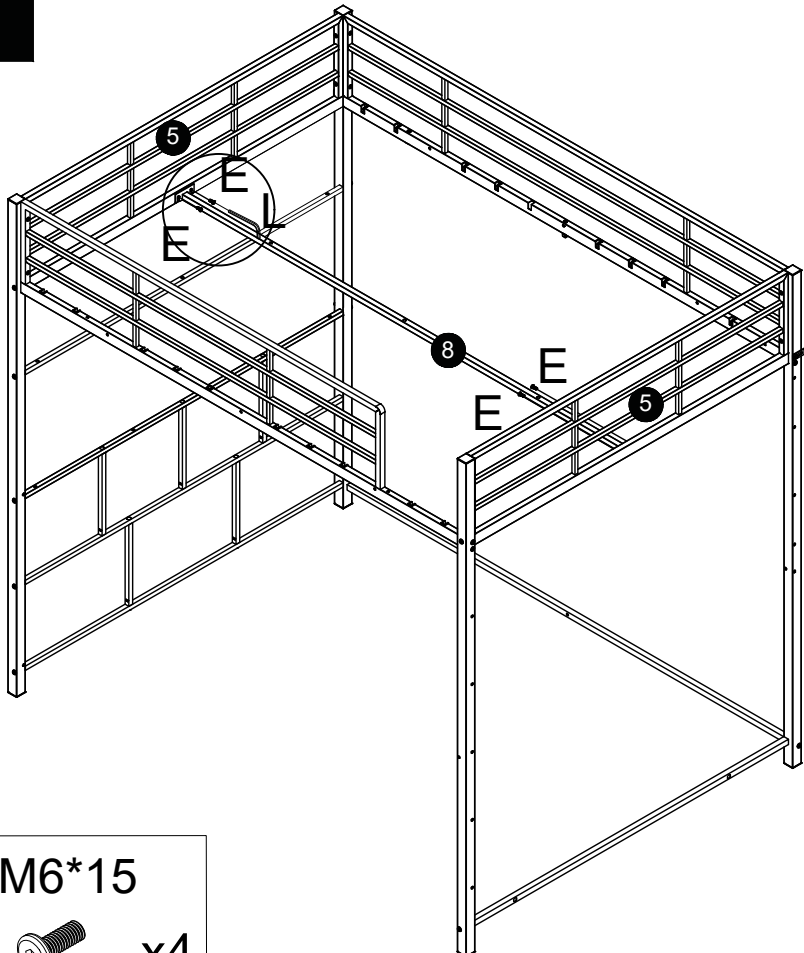


H M6\*60  
x4

I M6  
x4

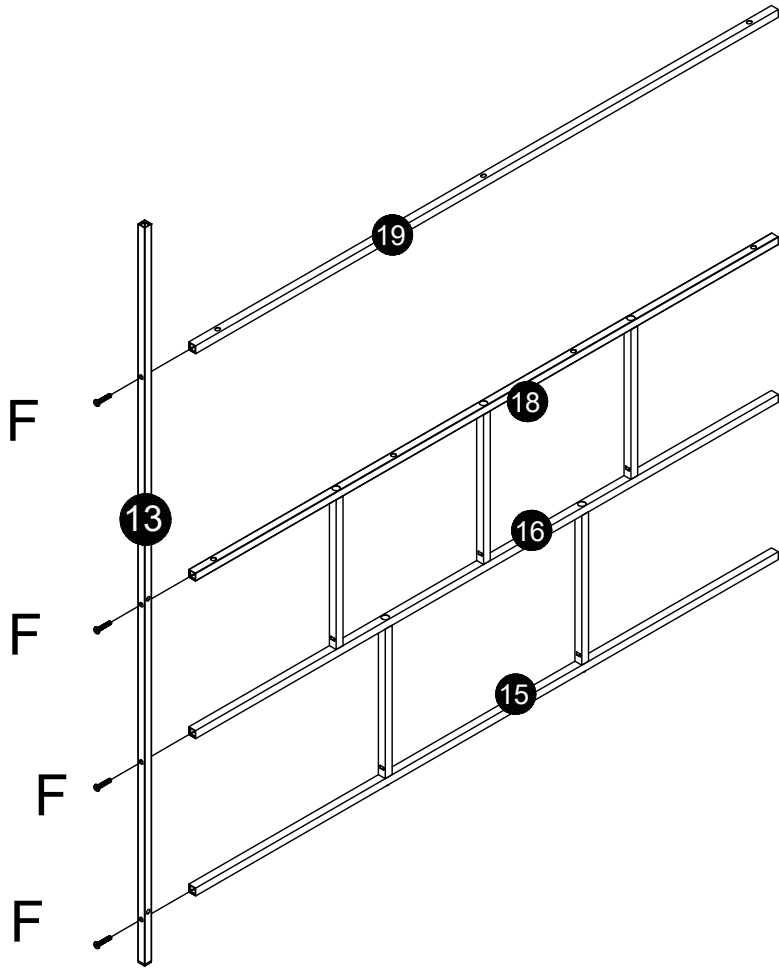
F M6\*35  
x2

8

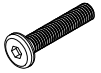


E M6\*15  
x4

9

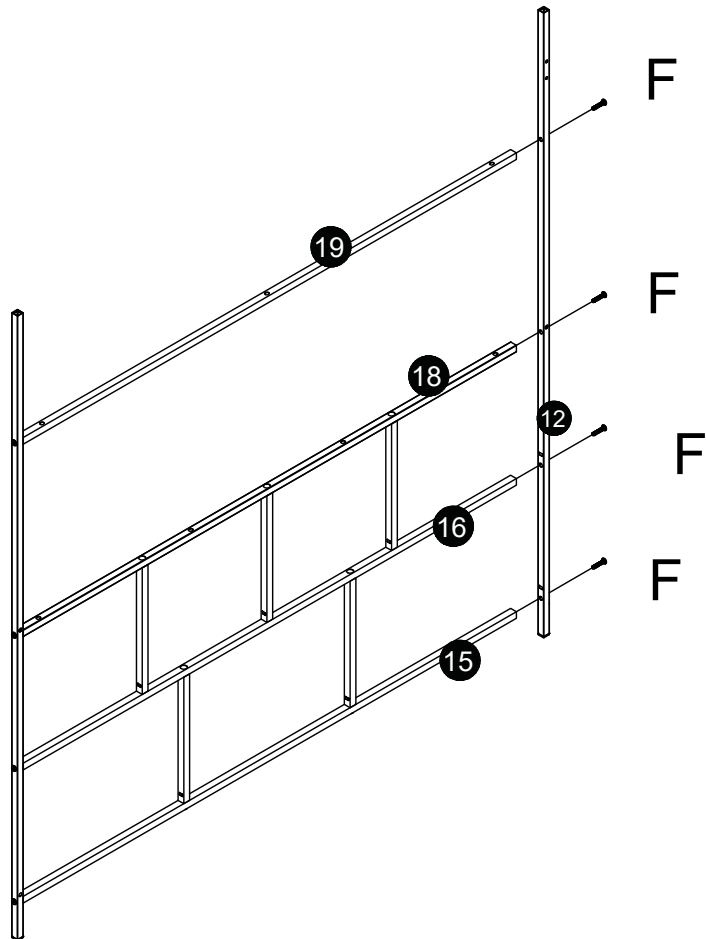


F M6\*35



x4

10

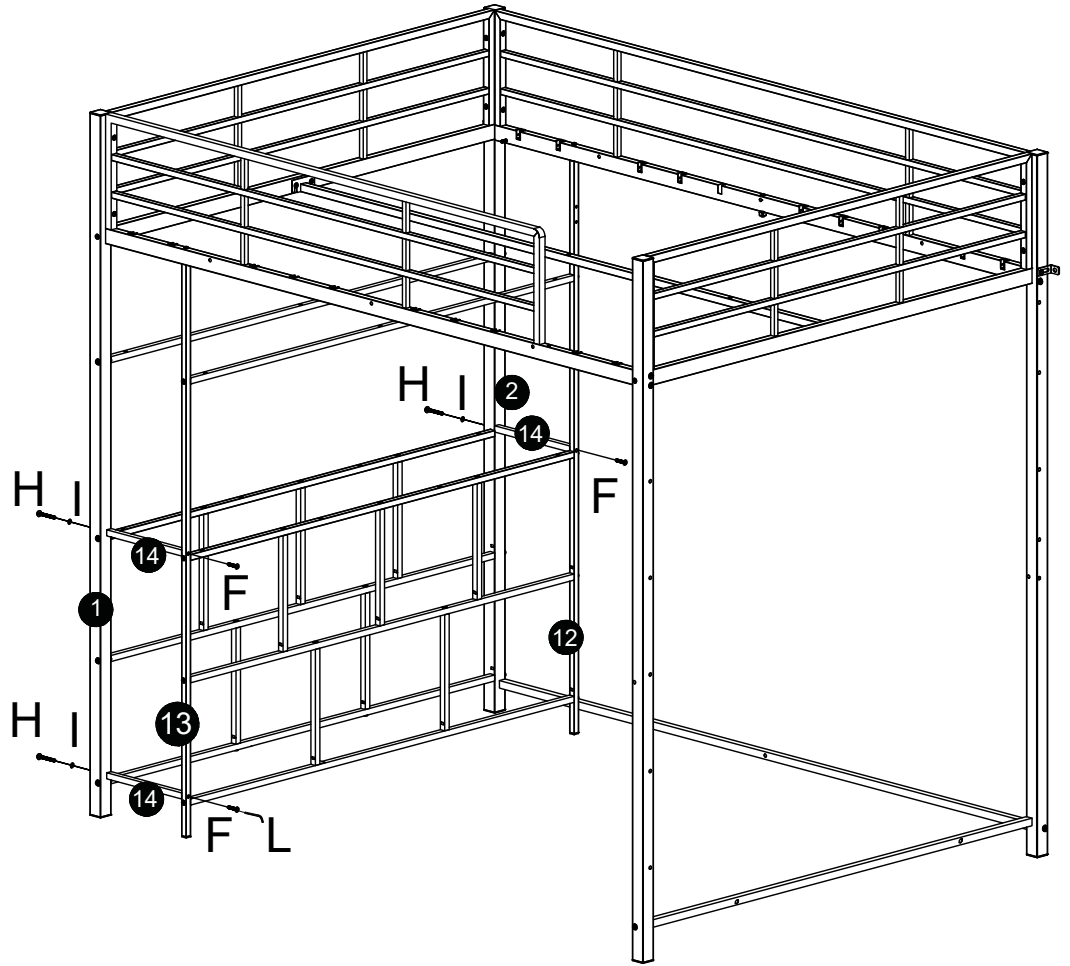



F M6\*35




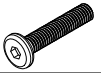
x4

11

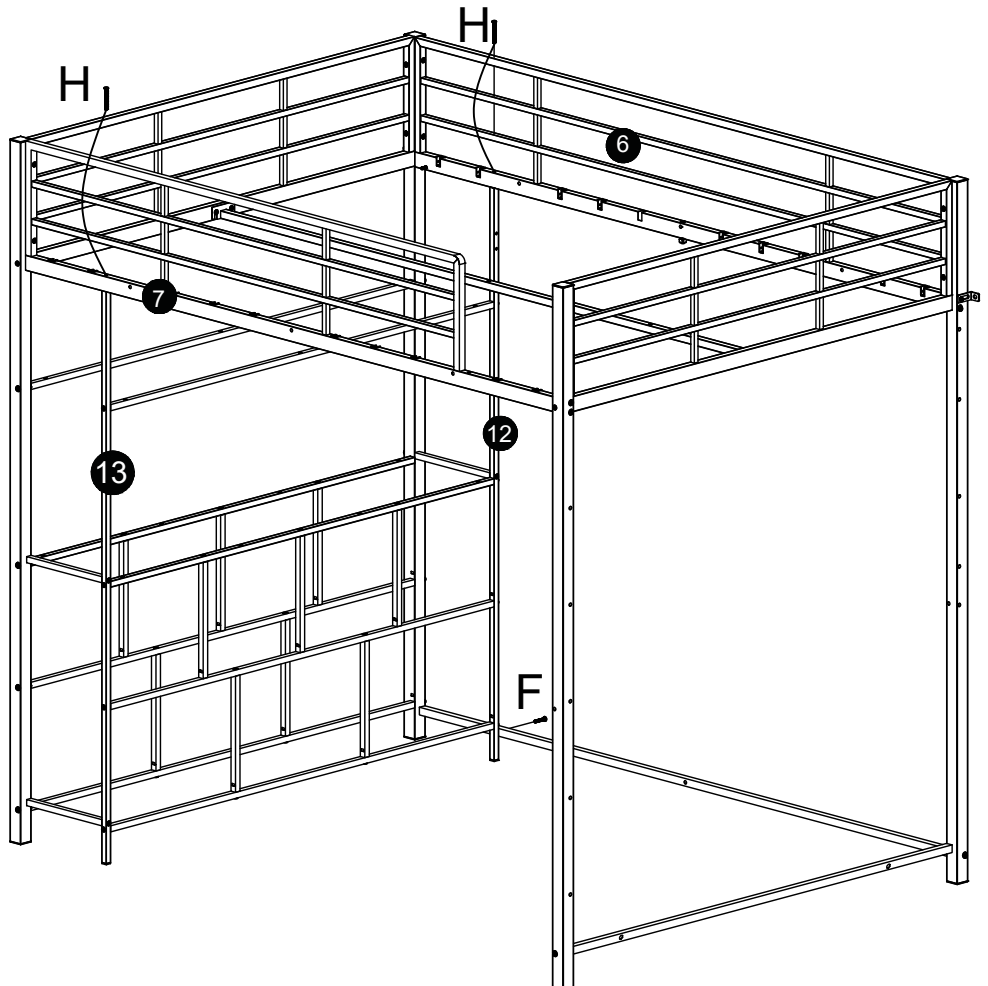



H M6\*60  
 x3


I M6  
 x3

F M6\*35  
 x3

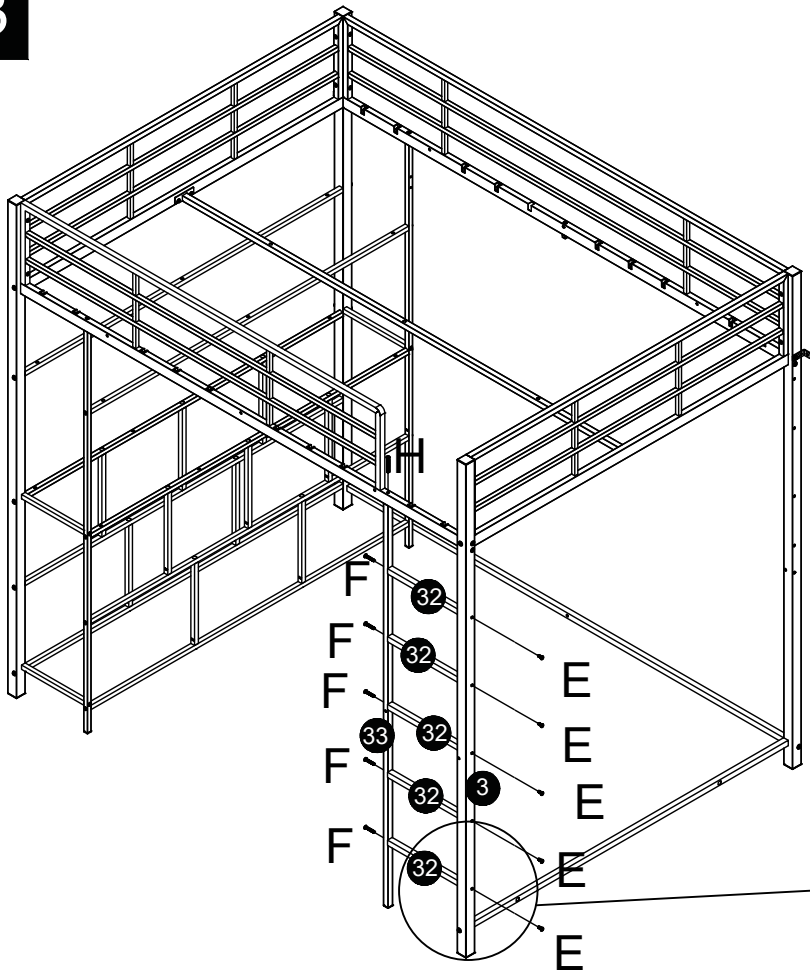
12






H M6\*60  
 x2

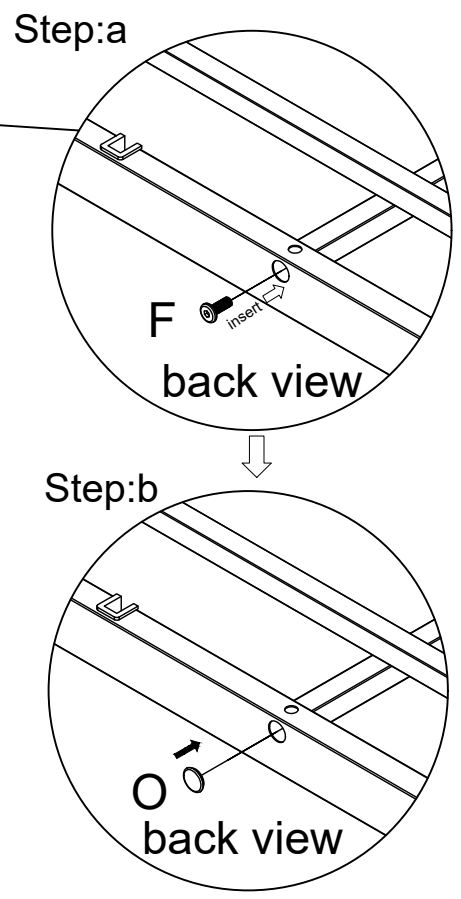
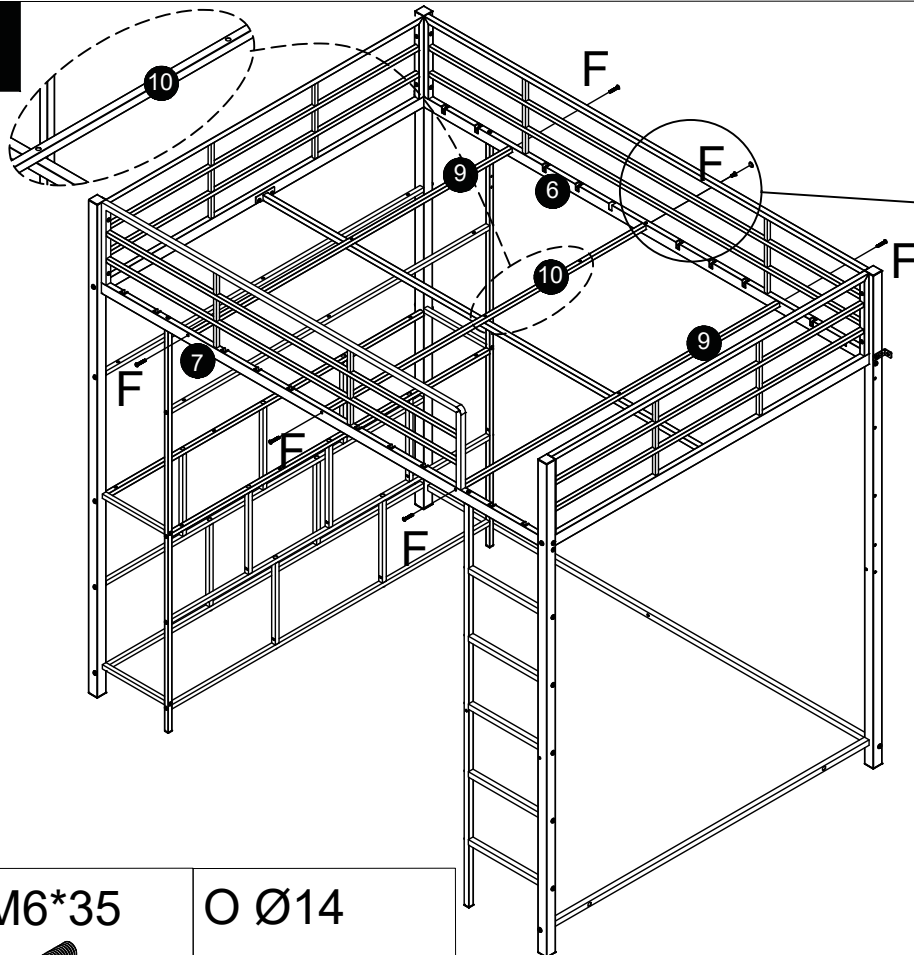
F M6\*35  
 x1

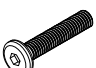

13



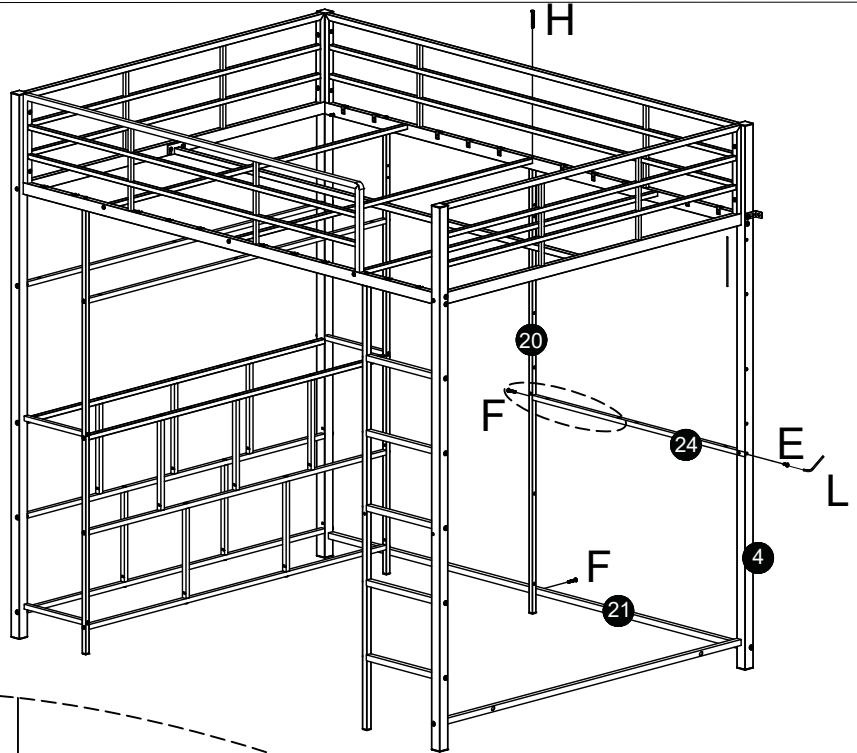
- E M6\*15  x5
- F M6\*35  x5
- H M6\*60  x1


14





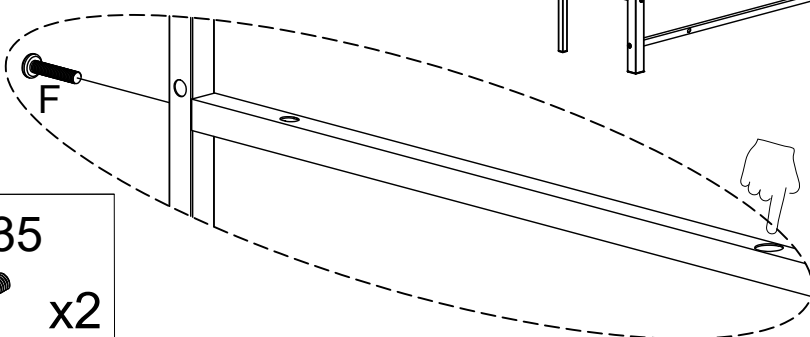
- F M6\*35  x6
- O Ø14  x1

15



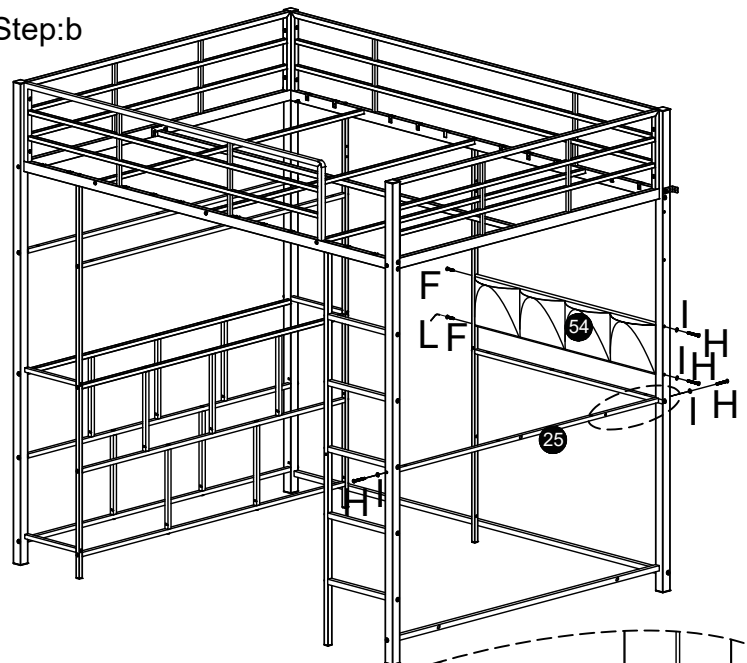
H M6\*60  
 x1

E M6*15  x1	F M6*35  x2
---	---

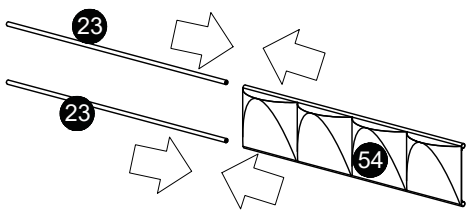



16



Step:b

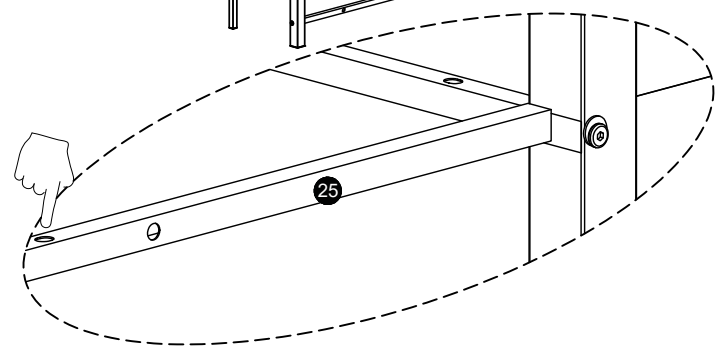


Step:a

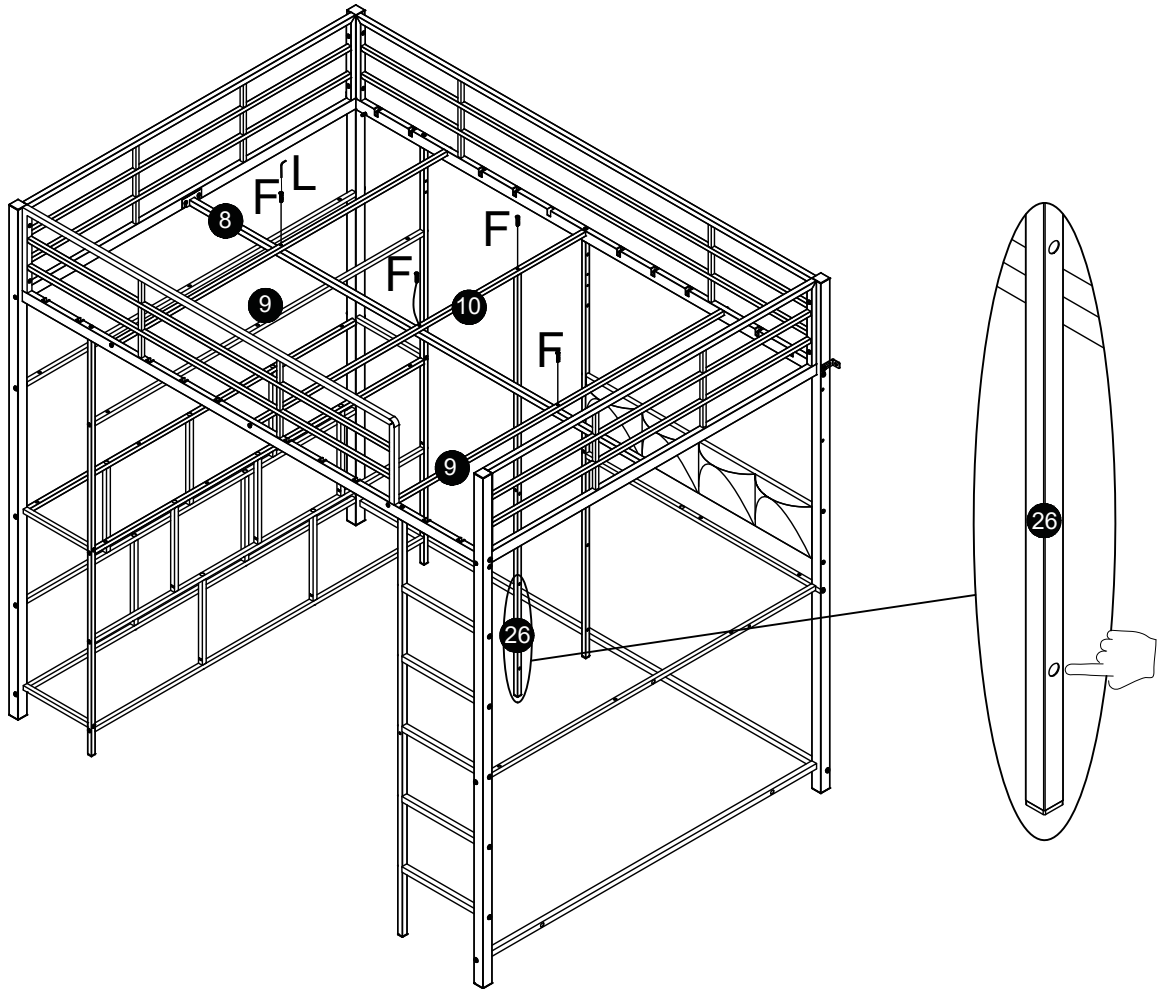


F M6\*35  
 x2

H M6*60  x4	I M6  x4
--	--



17

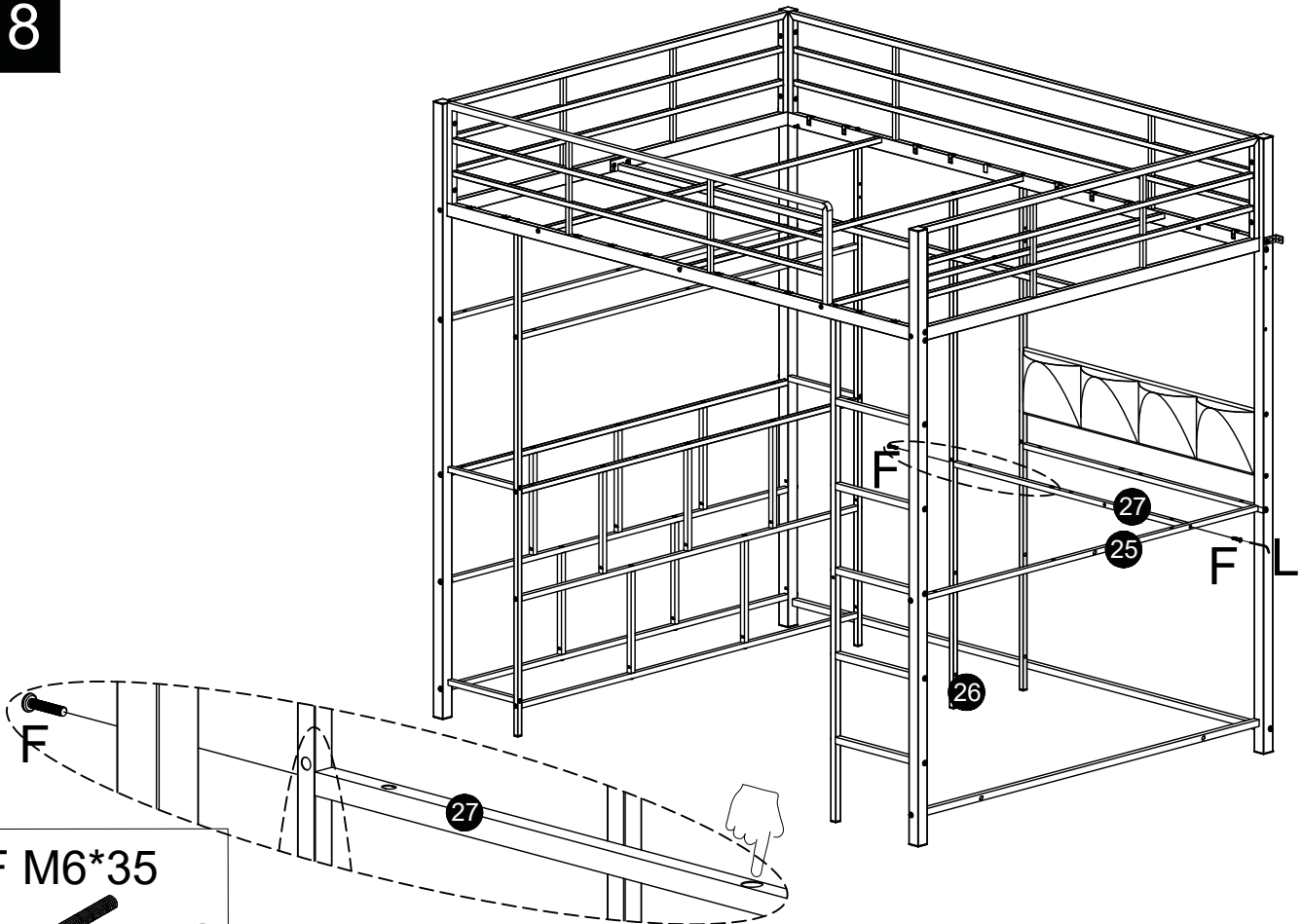


F M6\*35



x4

18

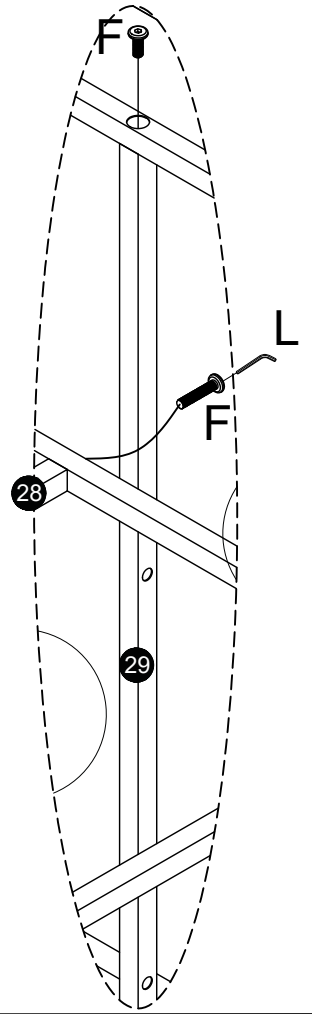
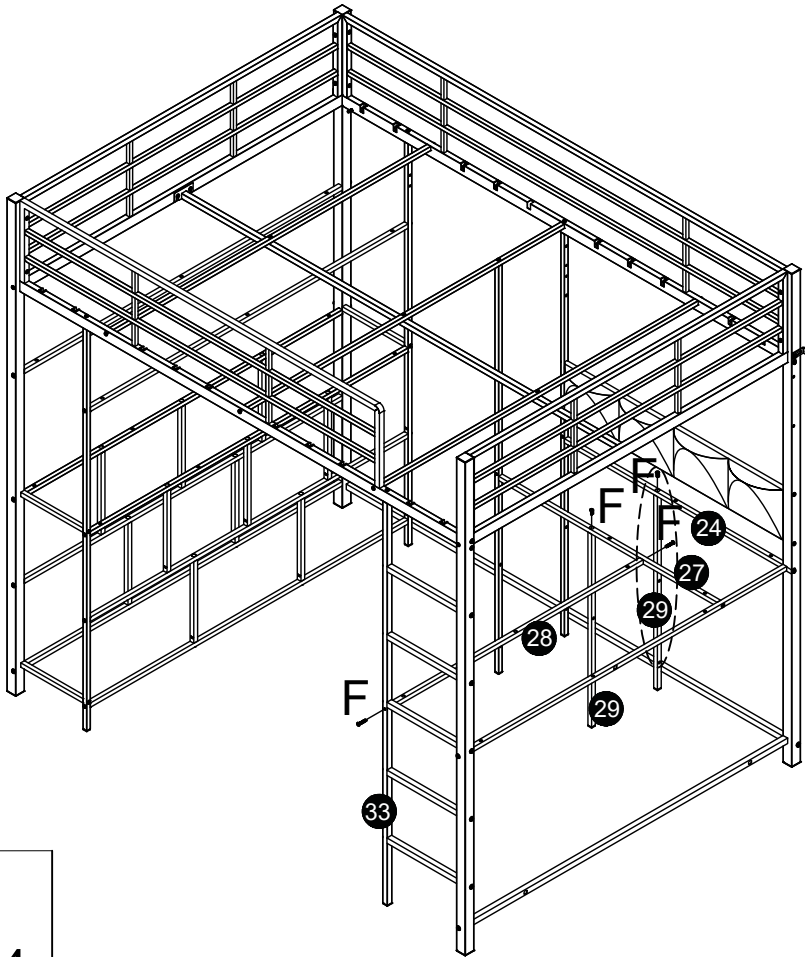


F M6\*35



x2

19

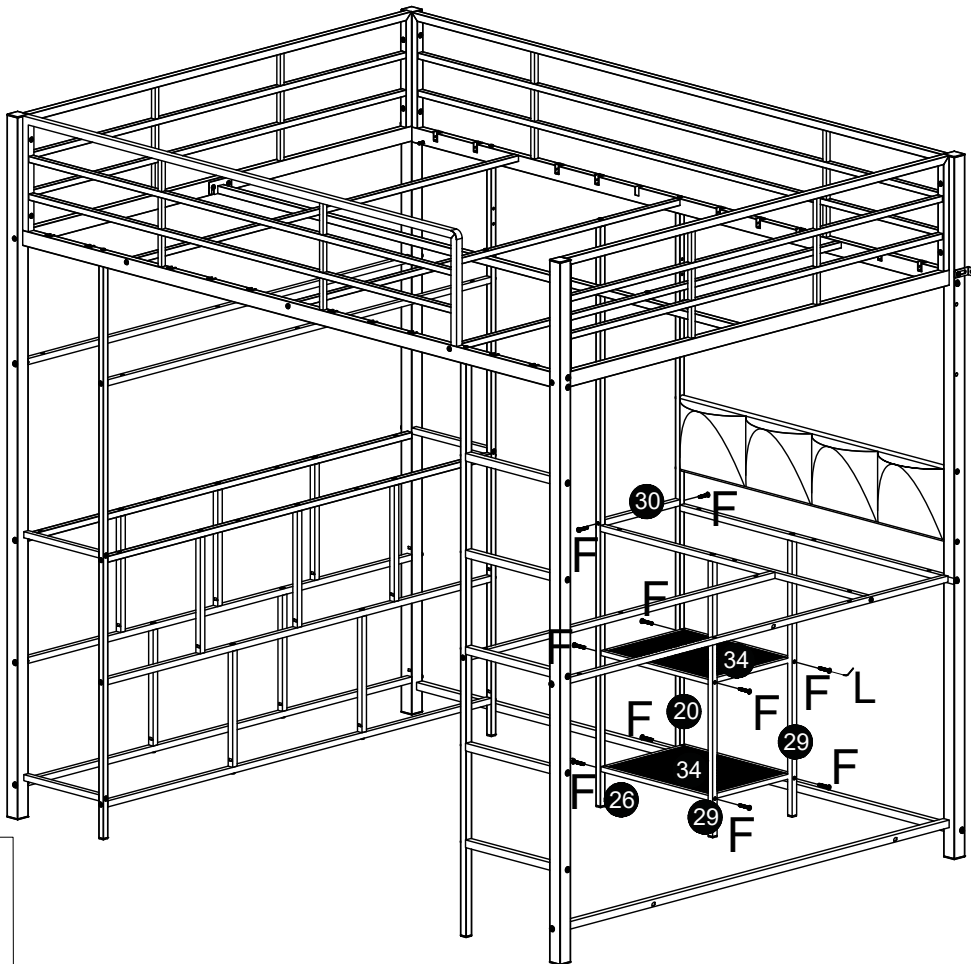


F M6\*35



x4

20



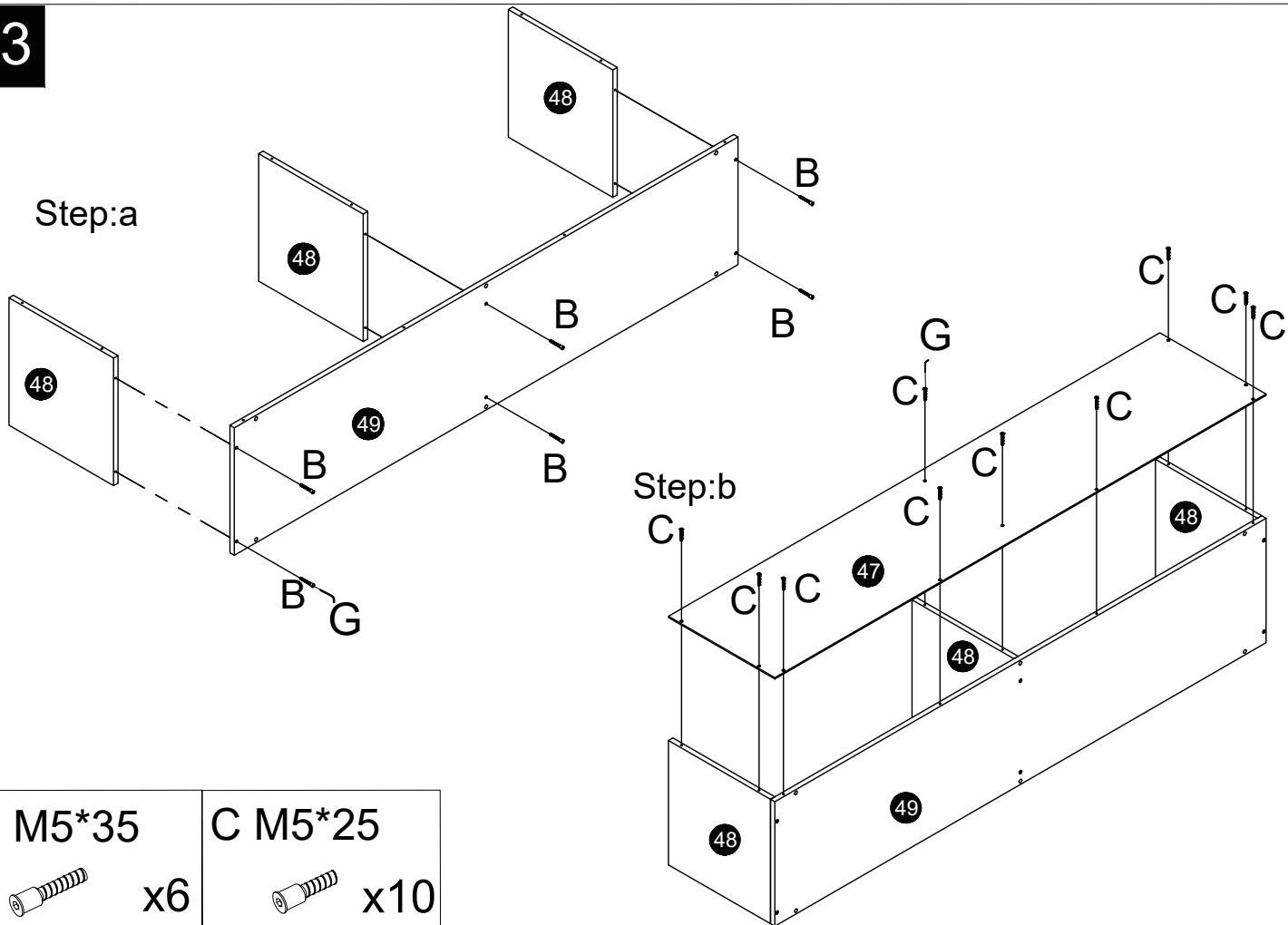
F M6\*35



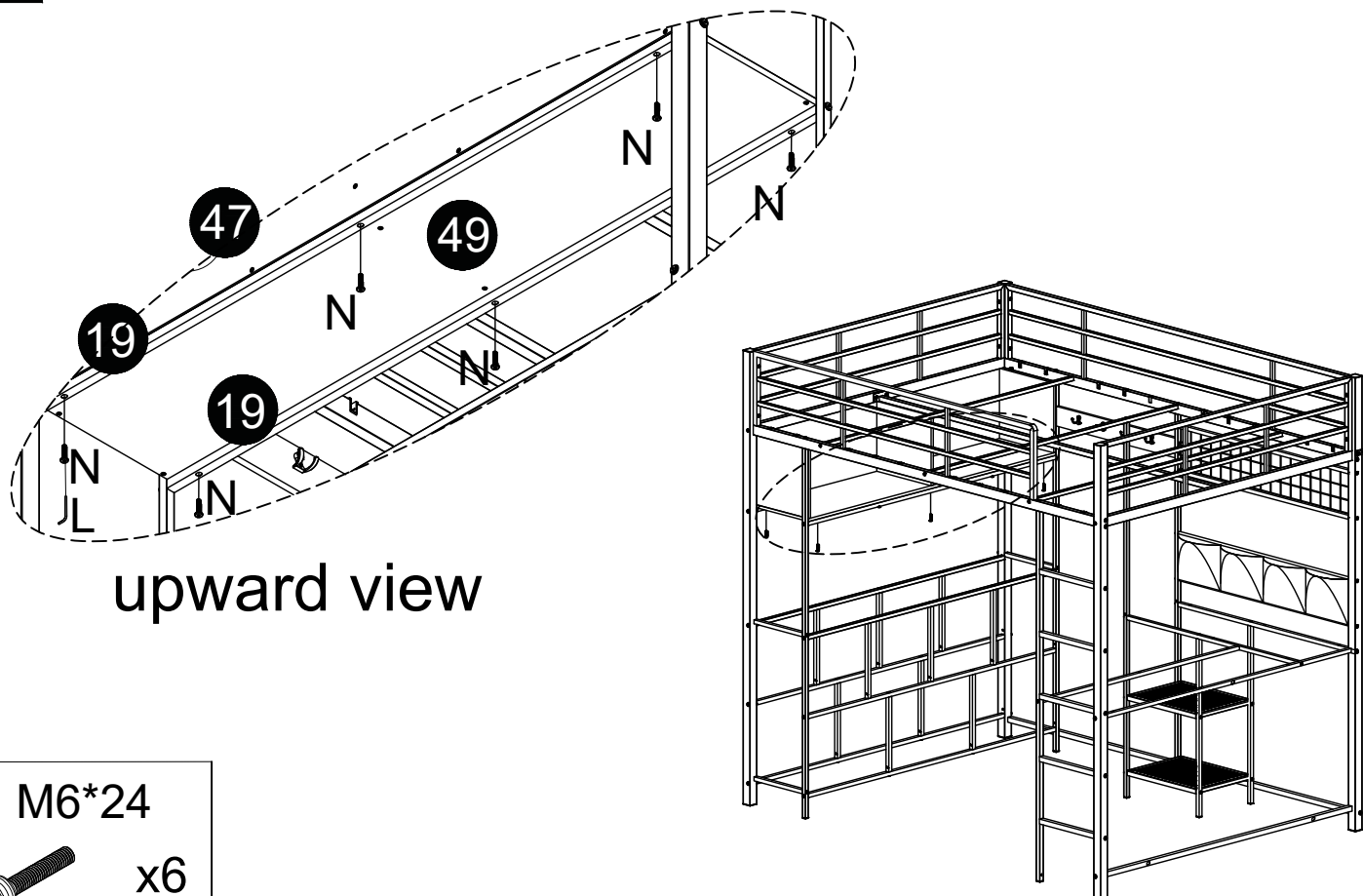
x10



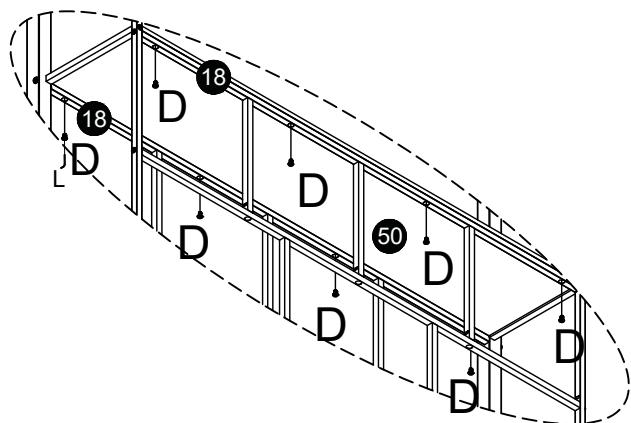
23



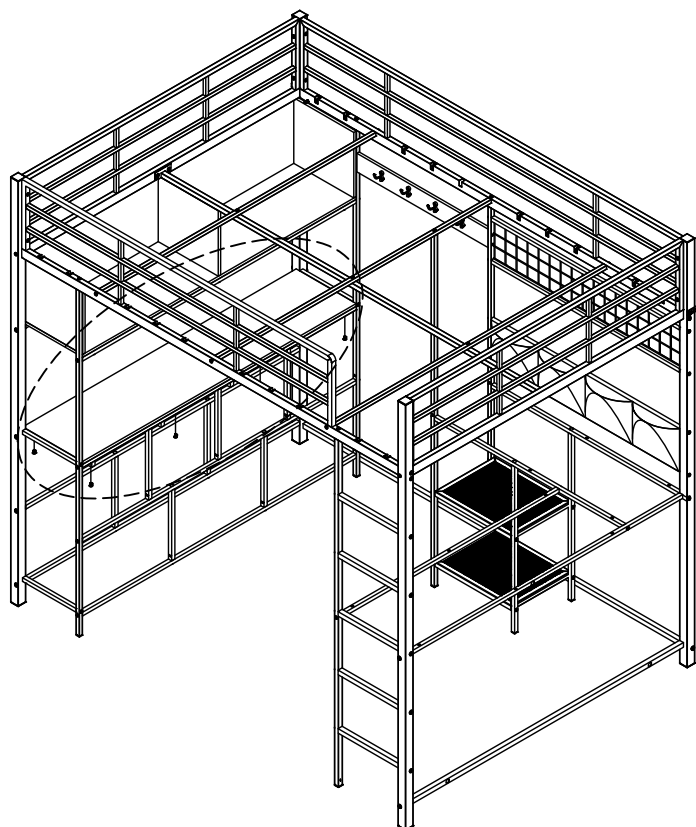
24



25



upward view

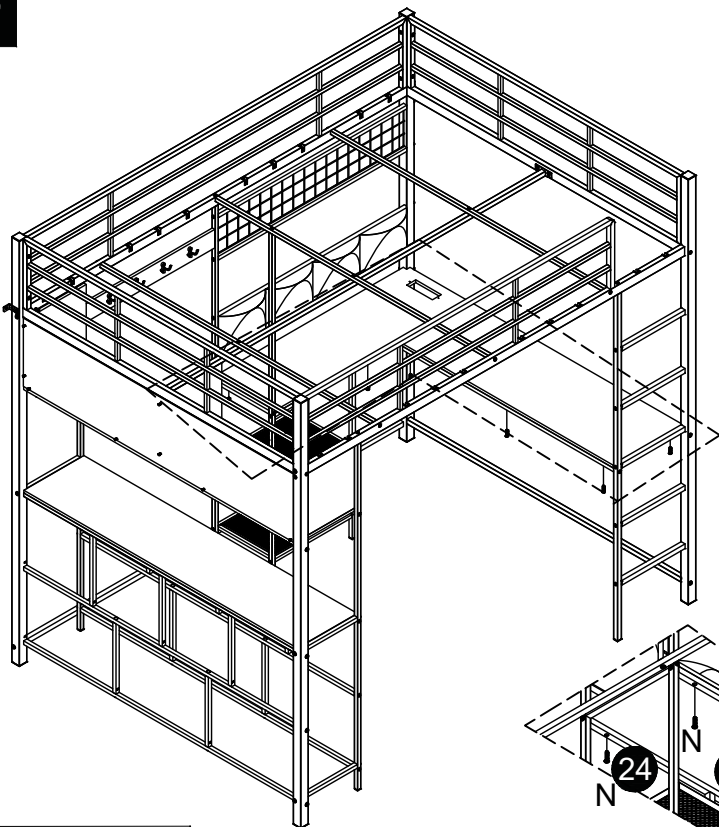


D M6\*10

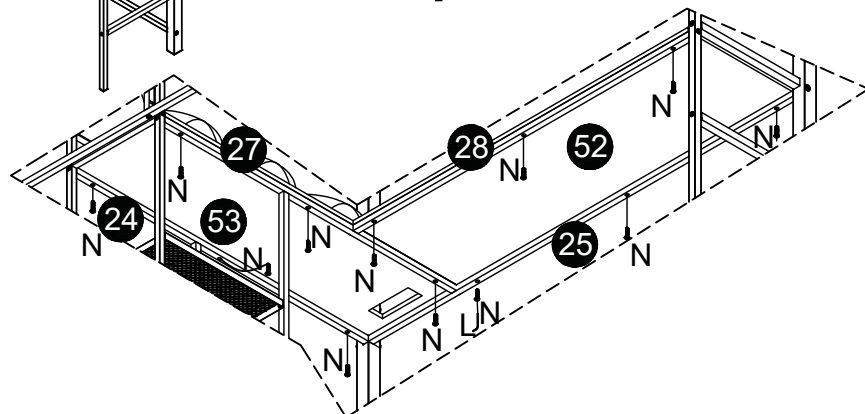


x8

26



upward view

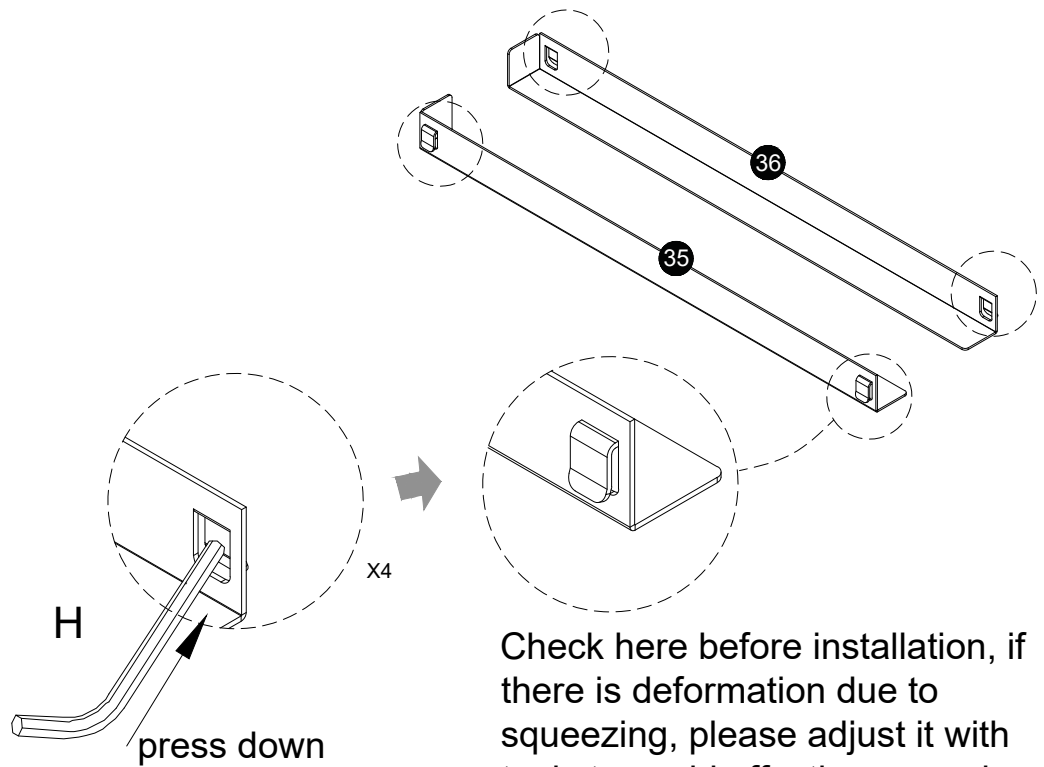


N M6\*24



x12

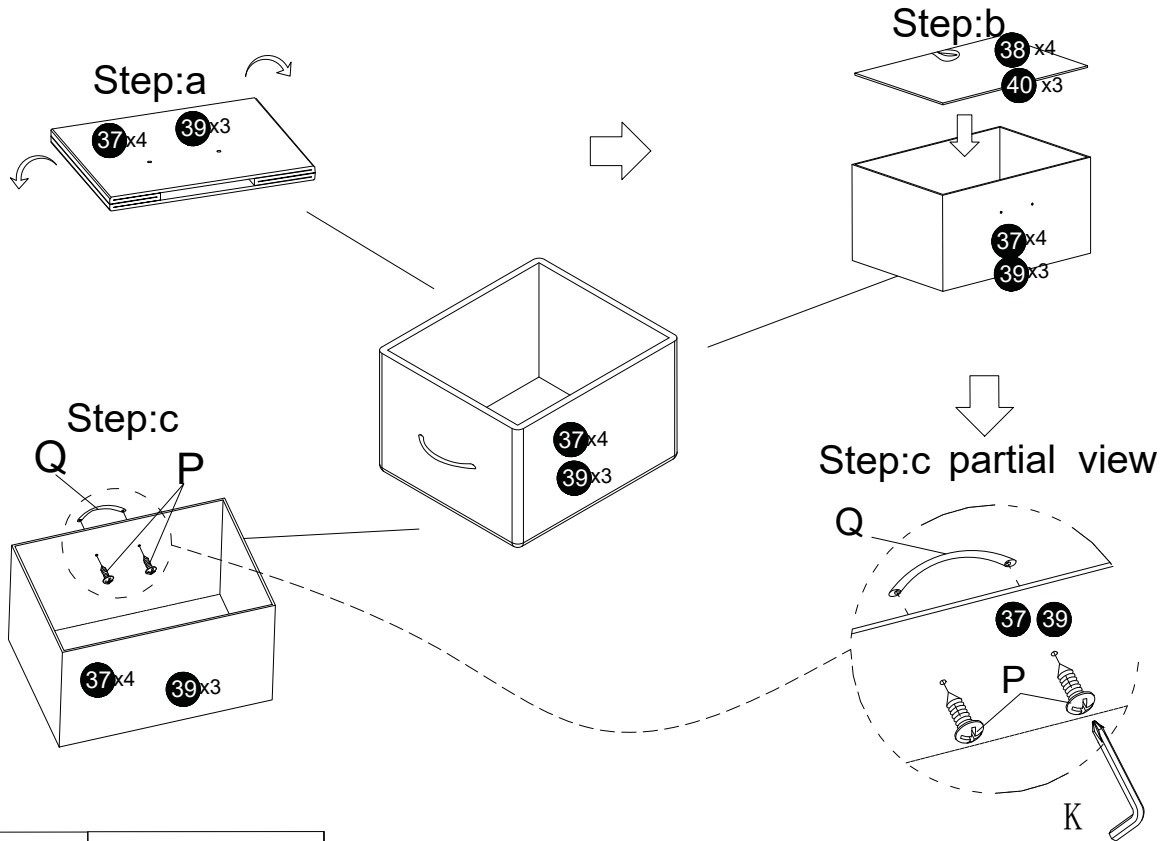
# 27



Please fine-tune in this direction to make it easier to install.

Check here before installation, if there is deformation due to squeezing, please adjust it with tools to avoid affecting normal installation.

# 28

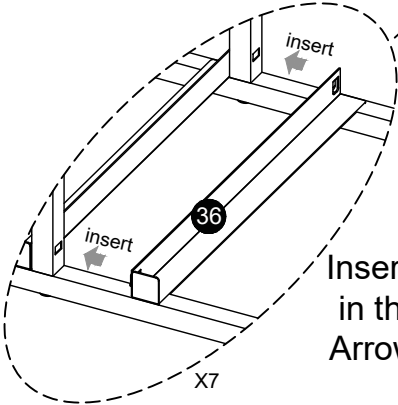
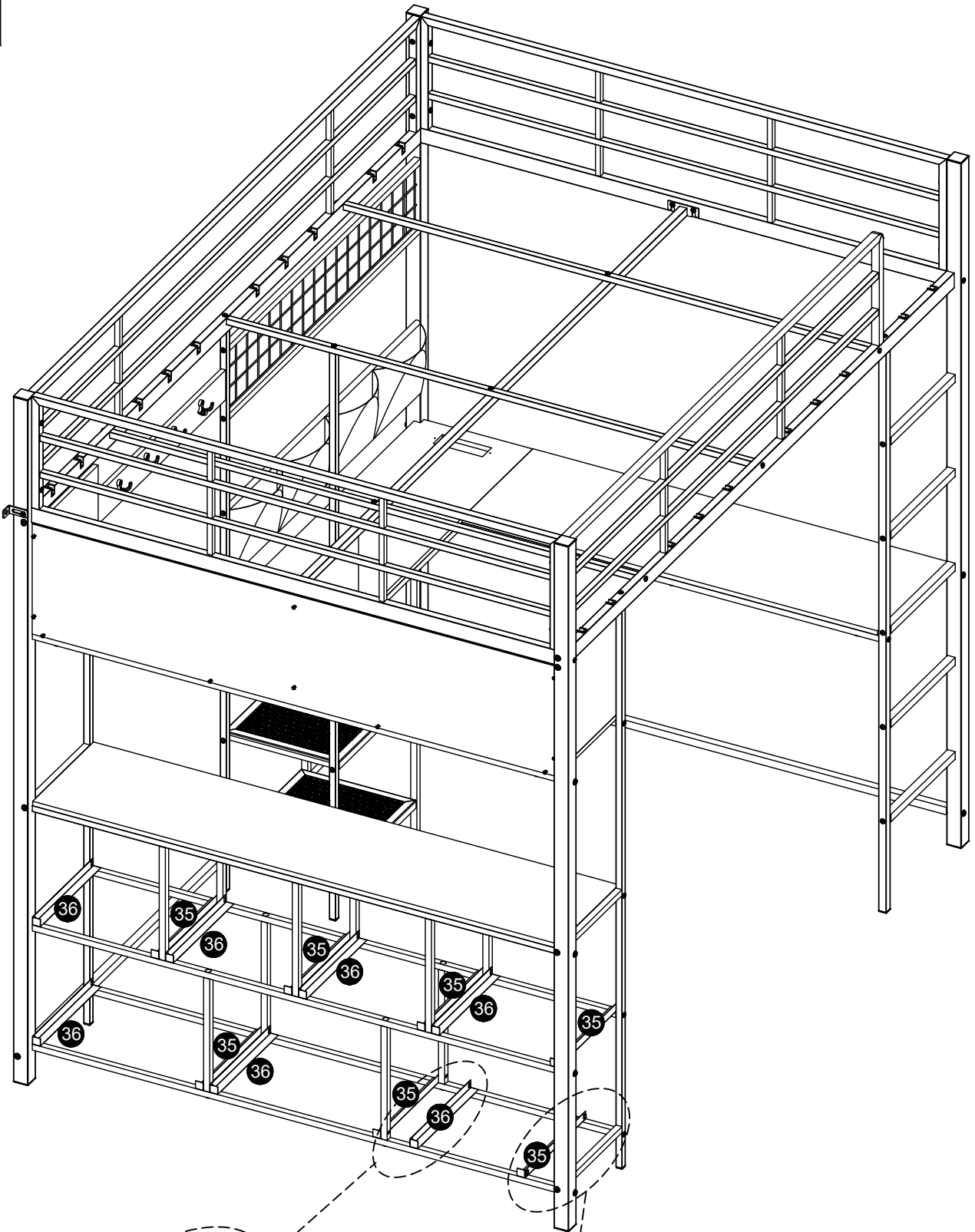


P M4\*12

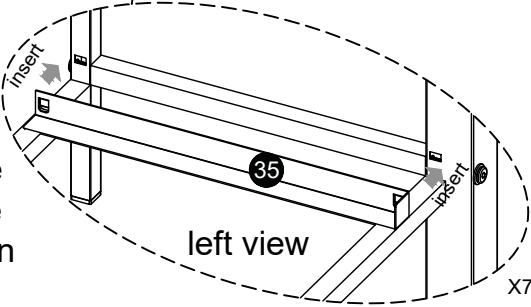
x14

Q

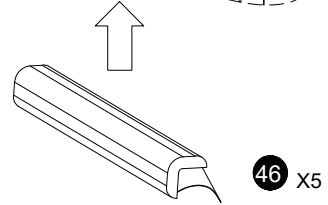
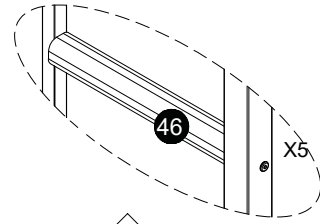
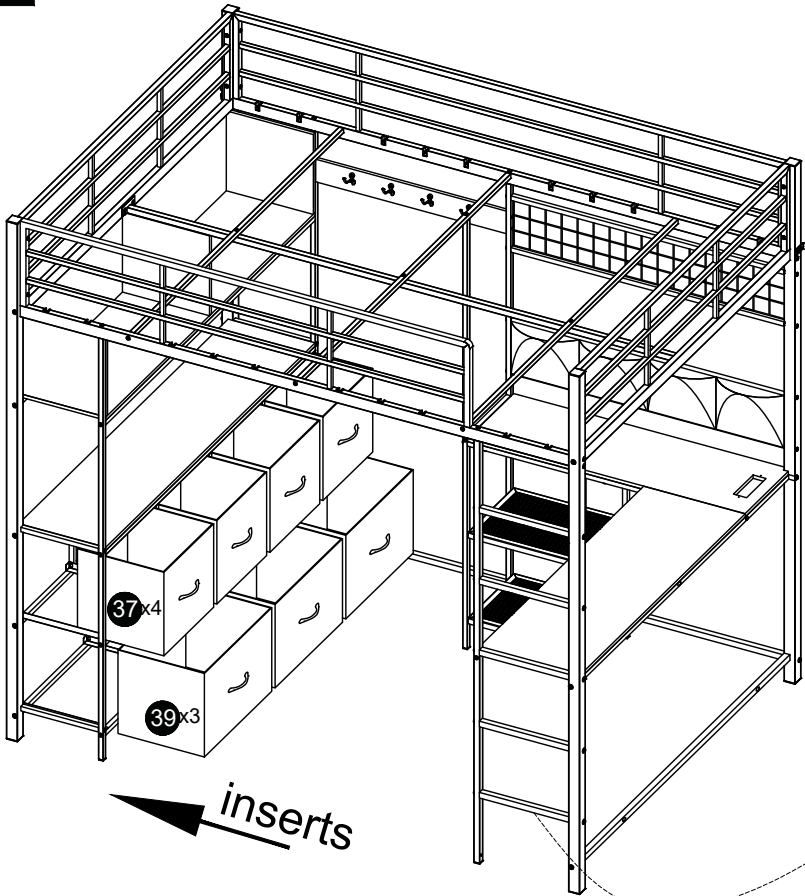
x7



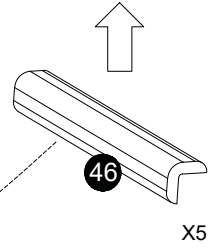
Insert the square hole in the direction of the Arrow and press down



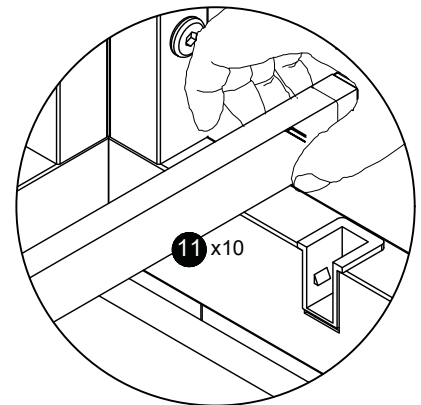
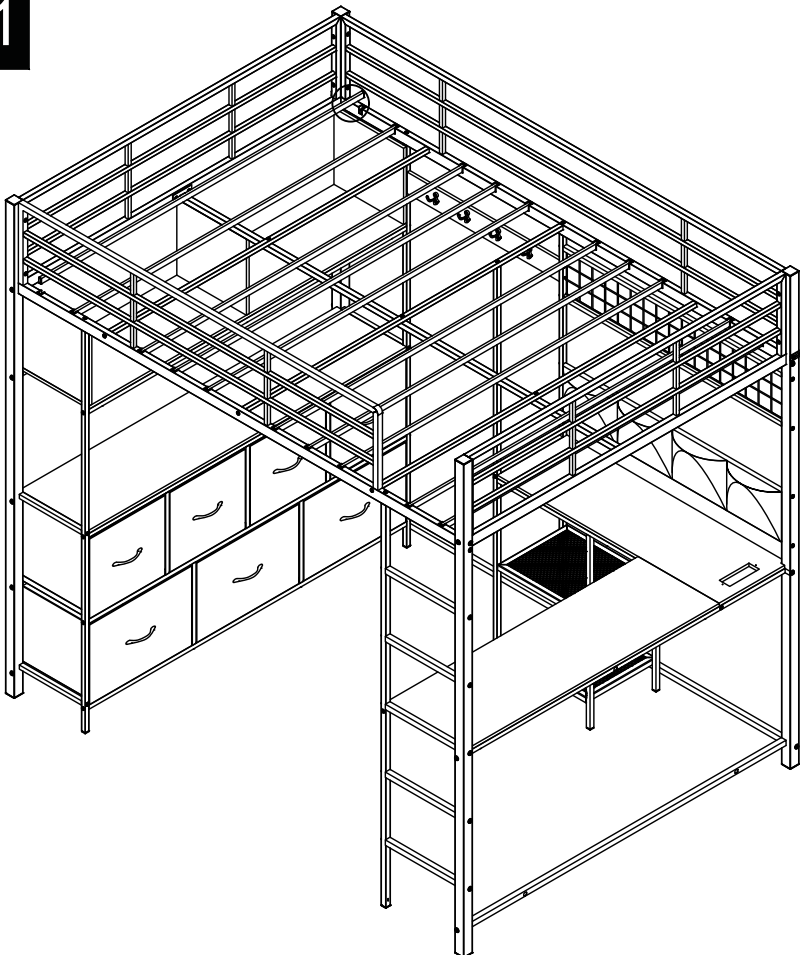
30



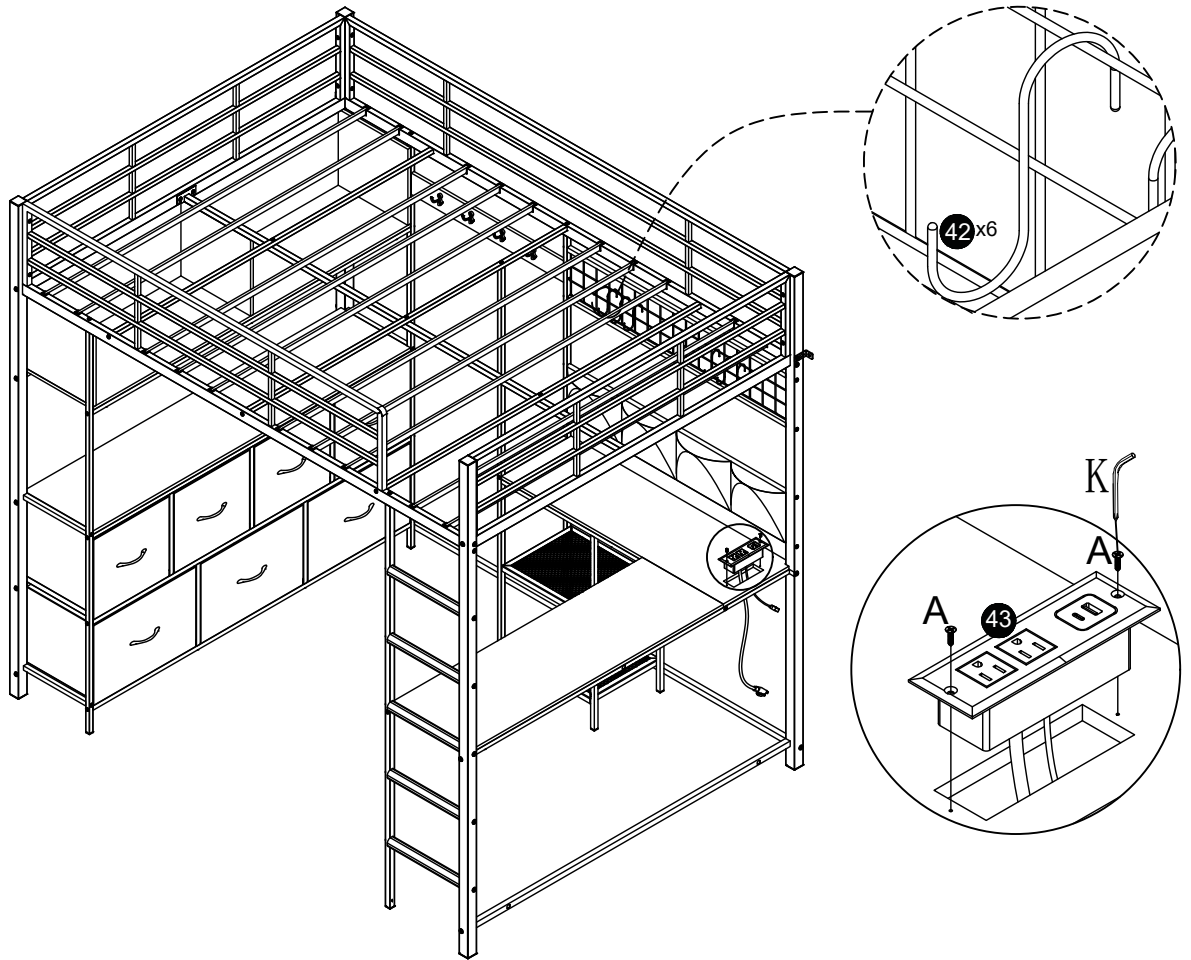
After tearing the tape off the sponge, attach the sponge to the stair tube



31



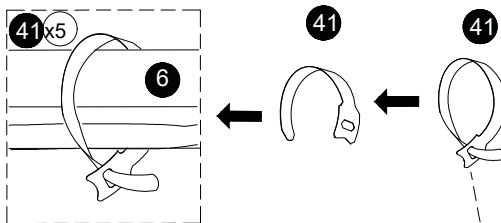
32



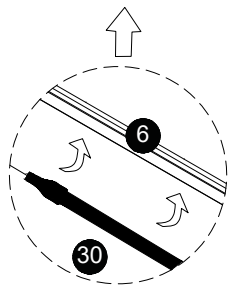
A M3\*12

x2

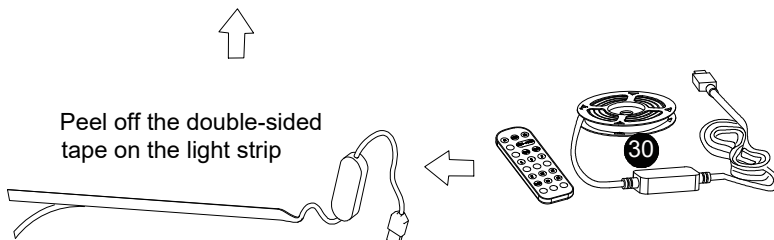
33



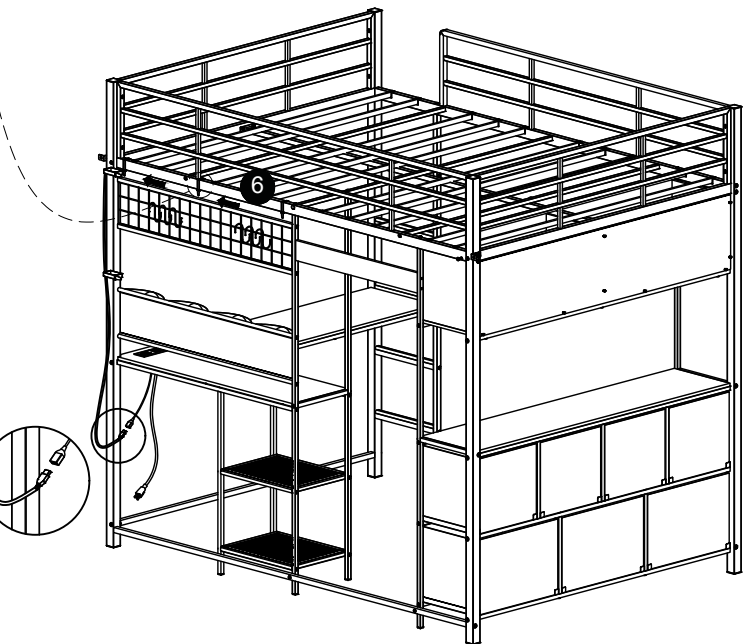
Please loosen the tie and tie it onto the iron pipe. As shown in the figure.



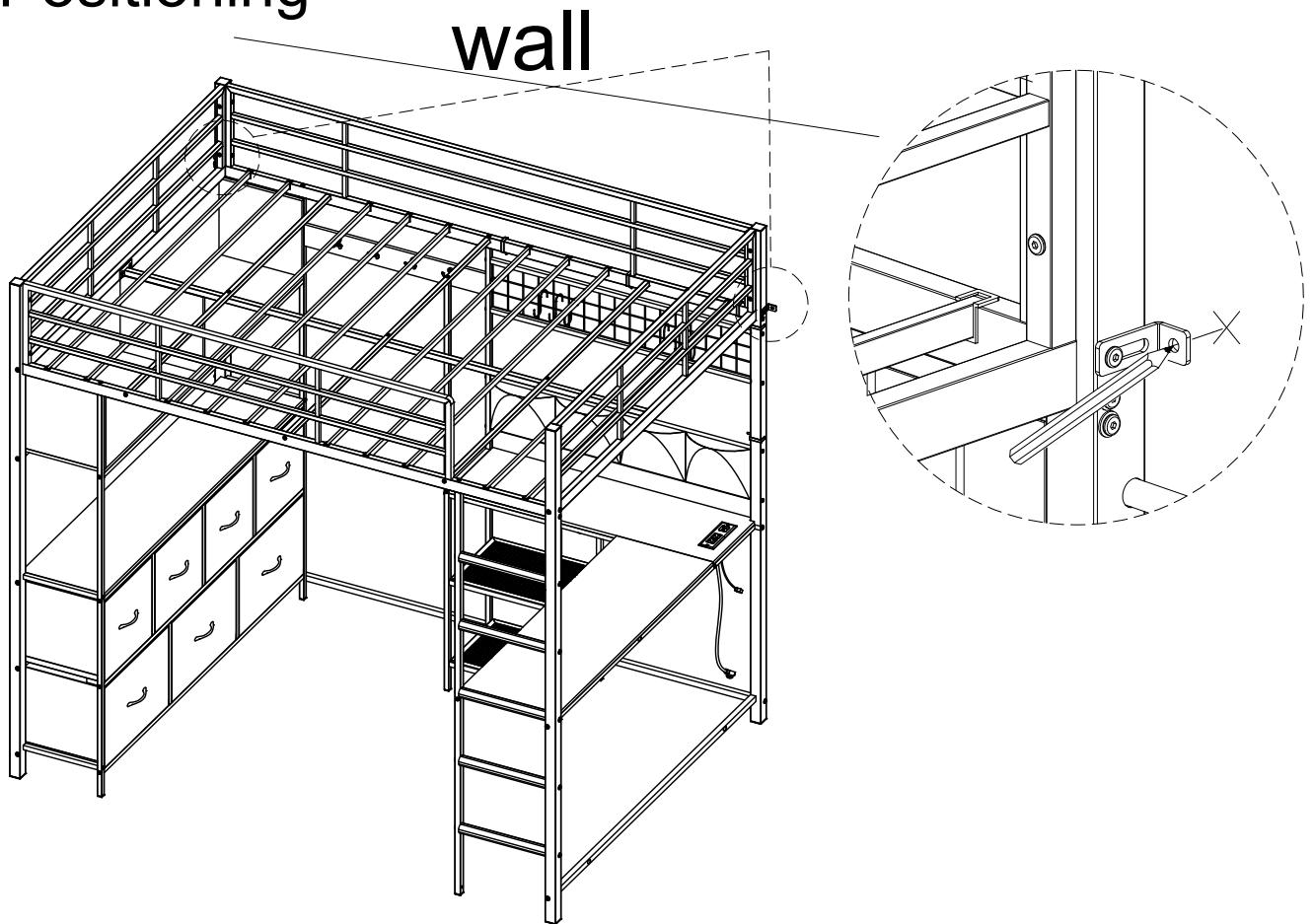
Attach the light strip 30 below the square tube 6.



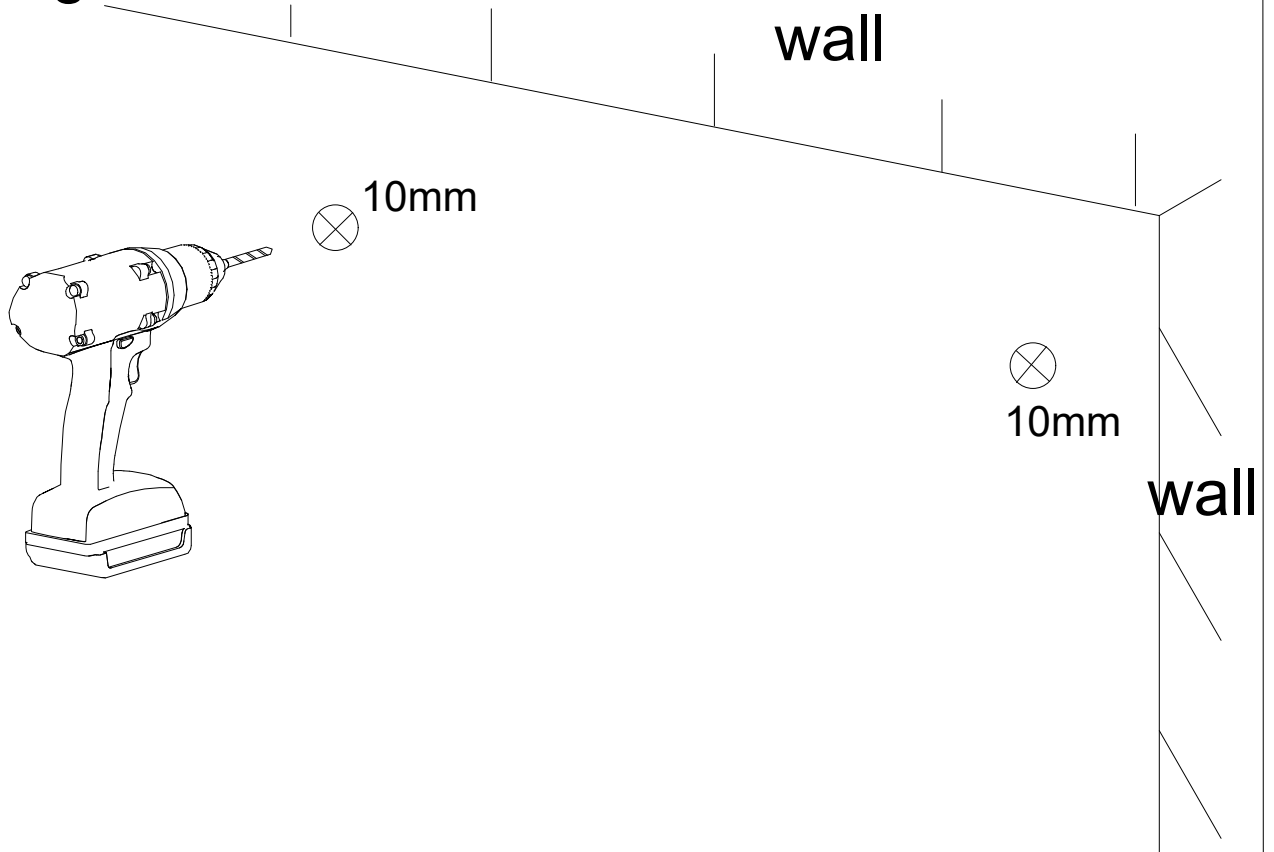
Peel off the double-sided tape on the light strip



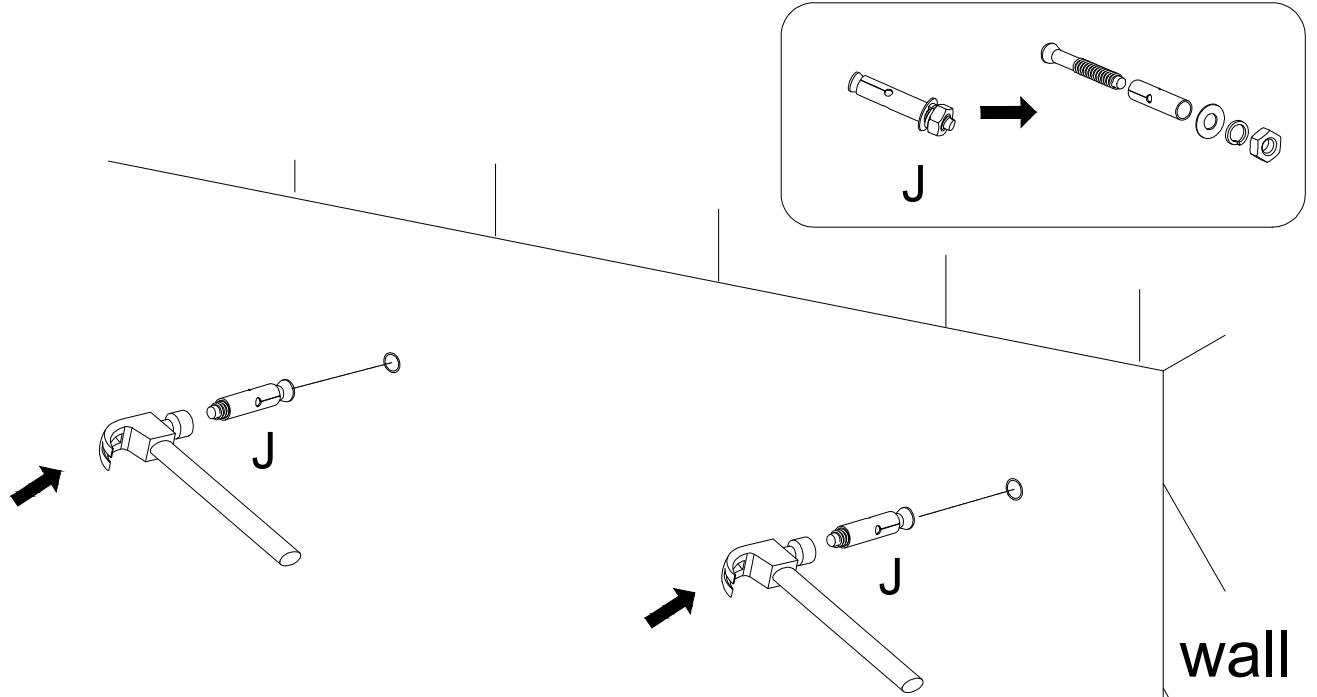
## 34 Positioning



## 35 Drilling



36



Please lock the expansion screw onto the wall.

37

