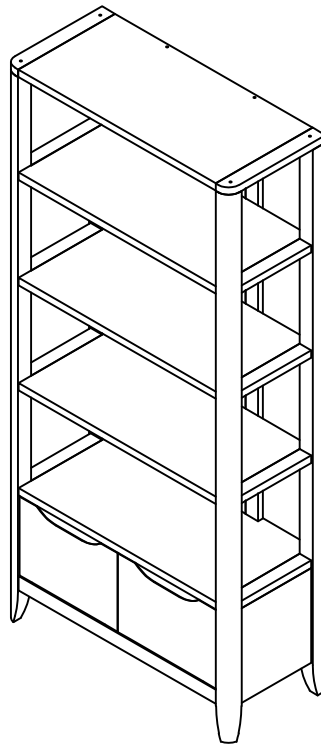


# OPEN DISPLAY UNIT

Stock number: 2801-27

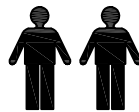
Thank you for purchasing this product. Please read the instructions carefully before use to ensure safe and satisfactory operation of this product.



## Pre-assembly preparation

Please ensure instructions are read in full before attempting to assemble this product.

## Necessary Tools :



Please check the pack contents before attempting to assemble this product. A full checklist of components is given in this leaflet. If any components are missing, please contact the retailer from whom you bought this product.

This product takes approximately **10 MINUTES** to assemble with **2 PEOPLE**.

All assembly should be performed on a flat, stable, clean and soft surface.

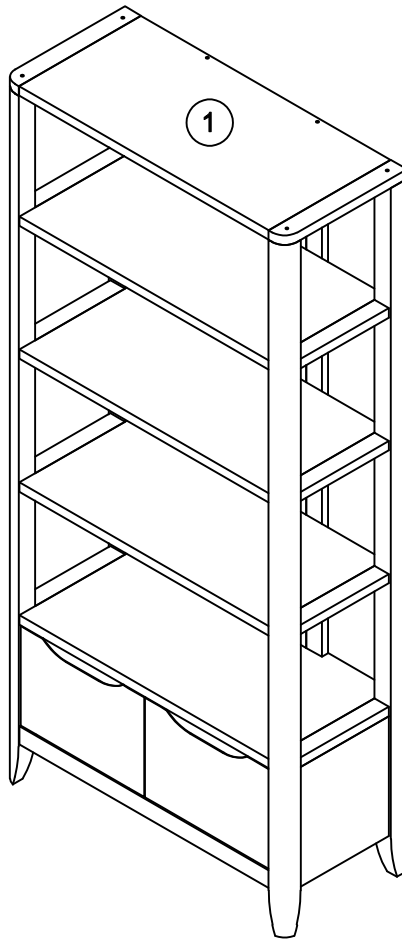
This product is **HEAVY**, it should be assembled as near as possible to the point of use. **TAKE CARE WHEN LIFTING** to avoid personal injury and (or) damage to the product

The fitting pack contains **SMALL ITEMS** which should be **KEPT AWAY FROM YOUNG CHILDREN**.


**IMPORTANT:** Retain these instructions for future reference.

Page : 1

## Fittings and parts checklist



## Fittings and parts checklist

Item	Description	Qty.		Item	Description	Qty.
1	Top Unit	x 1				
A	Felt Ø20x6mm	x 4				

# Step by step assembly instructions

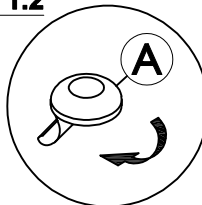
- Step 1**
- 1.1 : Lay the unit on a flat, stable, clean and soft surface.
  - 1.2 : Remove the plastic from 4x felts (A) and stick felts (A) onto under legs as shown.
  - 1.3 : Stand the unit upright.

Fiting

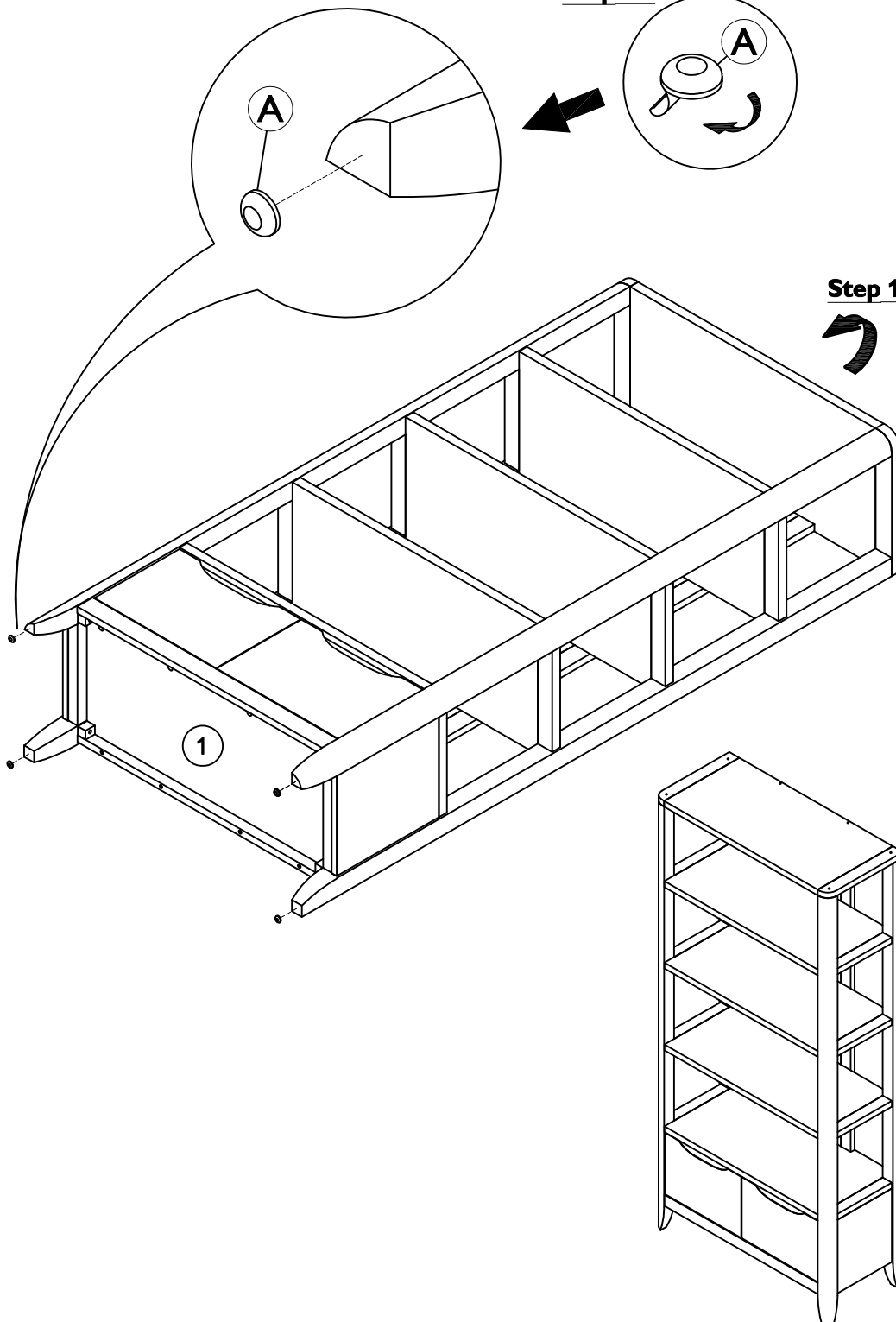


A x 4

**Step 1.2**



**Step 1.3**



**Assembly is complete**

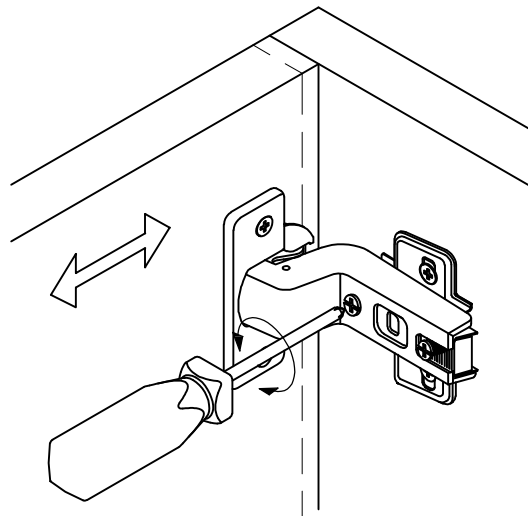
---

# HINGE ADJUSTMENT INSTRUCTIONS

---

## LATERAL ADJUSTMENT

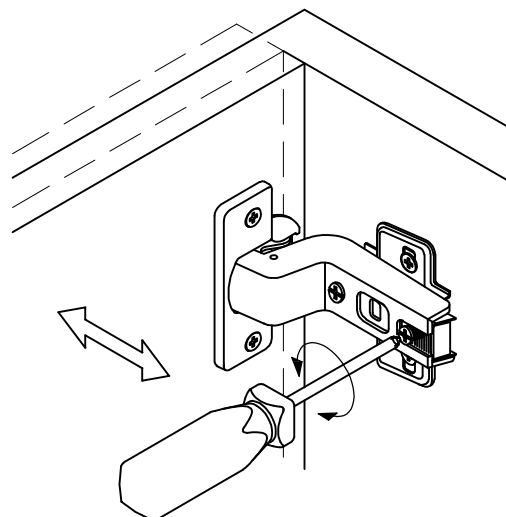
by screw adjustment.



---

## FRONT-TO-BACK

by slackening and retightening the hinge-arm mounting screw.



---

## VERTICAL ADJUSTMENT

via slots on mounting plate by slackening and retightening the screws on mounting plate

