

ISLiFe

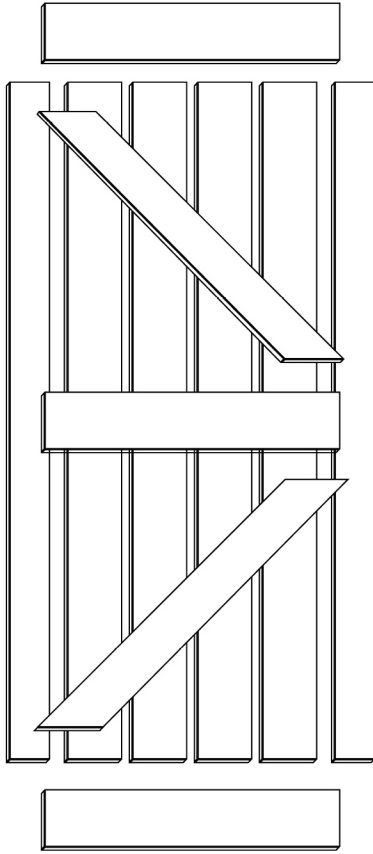
K Style Bi-Fold Barn Door Installation Guide

Contact us : info@islifeusa.com
Our Website : www.islifeusa.com

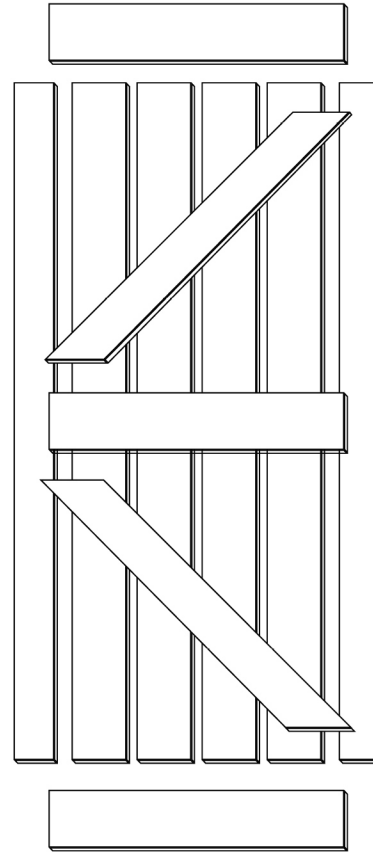


Solid Wood Bi-Fold Barn Door

Installation Guide



K Series



K Series



Avoid direct sunlight

Avoid moisture

Avoid rain








Tools Required



- Two-person assembly recommended
- Wear work gloves

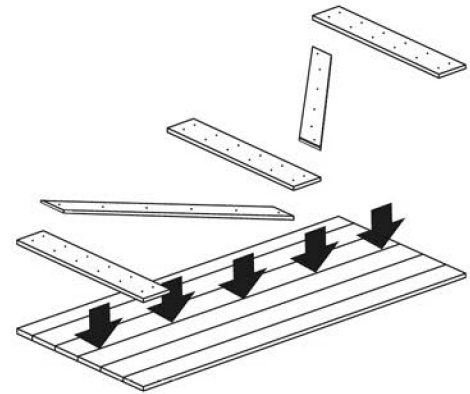
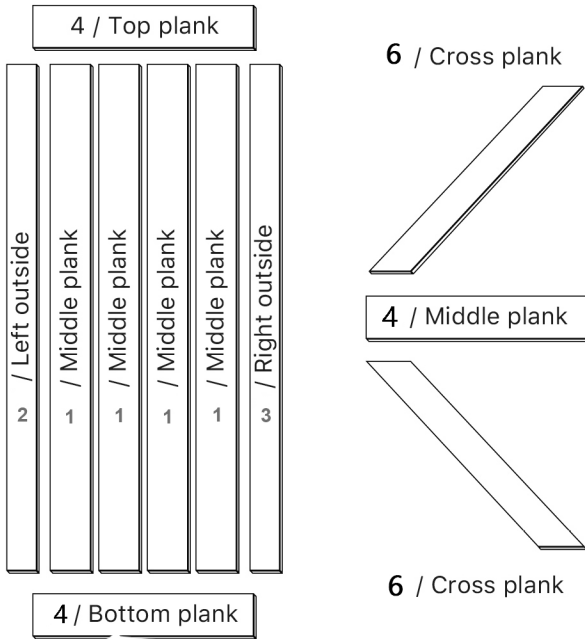
K Style Bi-Fold Barn Door Includes:

Board number/Side View	size/pieces	size/pieces	size/pieces	size/pieces	size/pieces
	12 in. Wx2 panels	15 in. Wx2 panels	18 in. Wx2 panels	21 in. Wx2 panels	24 in. Wx2 panels
1# 	0	2	2	4	4
2# 	2	2	2	2	2
3# 	2	2	2	2	2
4# 	6	6	6	6	6
6# 	4	4	4	4	4
Hardware Track	3.3FTx1	3.3FTx1	3.3FTx1	4.3FTx1	4.3FTx1
Screws	48	60	60	72	72

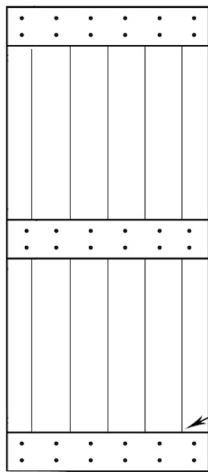
Installation Tips:

1. Ensure all panels are installed with the 45-degree angled surface facing upward.
2. For detailed steps on installing the hardware kit, refer to the installation guide included in the hardware kit package.
3. When installing a single door (2 panels) track, please follow Hardware Manual part 05 & 05B for hanging and positioning.
4. When installing a double door (4 panels) track, please follow Hardware Manual part 06 for hanging and positioning.
5. Screws holes are not pre-drilled for the rail. When you install the track, you need to drill holes on the door.
6. Please contact us if you have any questions at info@islifeusa.com.

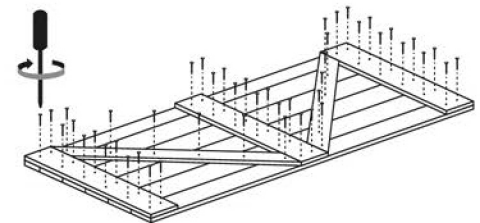
K Series



Step 1: Combin panels 1, 2 and 3.
 Step 2: Align panels 4 and 6 with the pre-drilled holes.



Ensure all panels of #1, 2, and 3 are installed with the 45-degree angled surface facing upward.



Step 3: Tighten all screws until snug.

Note : The quantity of screws holes will vary depending on the size of the products.

Side view:



Note: The quantity of (#1 middle board) will vary depending on the size of the product.